


Enero
2023

Tarifa General





| | |
|--|-----|
| Índice de Producto | 6 |
| Índice por Referencias | 12 |
| La Empresa | 15 |
| S&P: Propósito - Visión - Misión | 15 |
| S&P: Una estrategia global – Una política local | 16 |
| Nuestra estrategia de producto: Pilares para un futuro mejor | 17 |
| S&P: Colaboración con Organismos y Certificaciones | 18 |
| S&P en el mundo | 19 |
| Del concepto al producto | 22 |
| De la producción al mercado | 26 |
| Tarifa de Producto | 27 |
| Axiales | 28 |
| Tejados | 58 |
| Cajas de Ventilación | 78 |
| Centrífugos | 108 |
| Desenfumage | 172 |
| Compuertas Cortafuegos | 237 |
| Sobrepresión de Escaleras y Vestíbulos | 261 |
| ATEX | 272 |
| Unidades de Tratamiento de Aire | 281 |
| Recuperadores de Calor | 298 |
| VMC | 336 |
| In-Line TD | 389 |
| Residencial Cocinas y Baños | 406 |
| Horeca | 435 |
| Cortinas de Aire | 439 |
| Calefacción | 450 |
| Purificación y Tratamiento de Aire | 471 |
| Ventilación Doméstica y Terciaria | 482 |
| Accesorios Generales | 494 |
| Dimensiones División Industrial | 551 |
| Servicio Post-Venta: Red de talleres oficiales S&P | 716 |

Todos los productos S&P cumplen las directivas aplicables. Marcado 
Se aplicará el tipo de IVA general.



AXIALES

28



HCFB/T
HCBB/T



HXM



HXBR/TR



TCT



HIB-P/HIT-P



TCBB/T

TEJADOS

58



HCTB/HCTT



HGTT-V



CRHB/T-N



CRVB/T-N



TPSB

CAJAS DE VENTILACIÓN

78



CGT



CAB



CAB-B



CVB/T



CVAB/T-N

CENTRÍFUGOS

108



CBM



CBP



CKB-N



PSB/PST PLUG SET



IFFT



CMPT



FQ

FERRARI INDUSTRIAL FAN TECHNOLOGY



ART

FERRARI INDUSTRIAL FAN TECHNOLOGY



VCM

FERRARI INDUSTRIAL FAN TECHNOLOGY



FG-N

FERRARI INDUSTRIAL FAN TECHNOLOGY



FI-N

FERRARI INDUSTRIAL FAN TECHNOLOGY



FA

FERRARI INDUSTRIAL FAN TECHNOLOGY

DESENFUMAGE

172



THGT



TJHT/TJHU



CTHB/T
CTVB/T



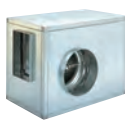
CTVT HP



HGHT-V



CVHN



CVST



ILHT



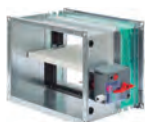
IFHT



CHMT

COMPUERTAS CORTAFUEGOS

237



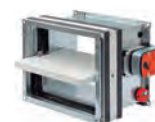
MDF 25 L



MDF 25 LM



MDF 25



MDF 25 M



MDF 30 EURO

SOBREPRESIÓN DE ESCALERAS Y VESTÍBULOS

261



Sobrepresión de Vestíbulos



PBB/PBT



TXBR ECOWATT



TRB/TREB



TGT



TJFT-TJFU



TTT-N



TET



TH-MIXVENT



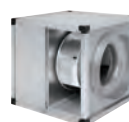
CTB



TMPT/TMPB



VENTILADORES ACTIVADORES DE CHIMENEAS



KABB/KABT



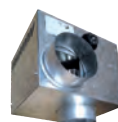
CVTT



IRB/IRT



IRAB-N/IRAT-N



CHEMINAIR



UVF



MFL
FBL



CBT-N



CMB/CMT



FR

FERRARI
INDUSTRIAL FAN TECHNOLOGY



FRC

FERRARI
INDUSTRIAL FAN TECHNOLOGY



FRP

FERRARI
INDUSTRIAL FAN TECHNOLOGY



MEC

FERRARI
INDUSTRIAL FAN TECHNOLOGY



KM

FERRARI
INDUSTRIAL FAN TECHNOLOGY



CFMT-N



CFST



CFHT



CHGT



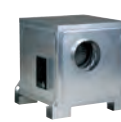
CHAT-N



CHVB/T



KCTR



CRMTC
CHMTC



CVHT



CRMT



CXRT-N F400



BSP



BTT 25



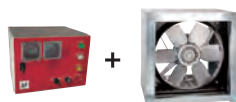
BTT 25 M



BTT 30 EURO



BRG



Sobrepresión de Escaleras

ATEX

272



HCBT



TCT



HDT/HDB



TCBT
TGT



TTT-N



TH ATEX



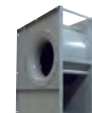
CMPT ATEX



CMT



CBT-N



FR / FRC / FRP
FERRARI
INDUSTRIAL FAN TECHNOLOGY



MEC
FERRARI
INDUSTRIAL FAN TECHNOLOGY



FQ / ART
FERRARI
INDUSTRIAL FAN TECHNOLOGY

UNIDADES DE TRATAMIENTO DE AIRE

281



UTBS ECOWATT



UTBS PRO-REG



CAIB/T PRO-REG



CAD-COMPACT



CADB/T-HE



CAD-HE EC



RHE



CADS-HE



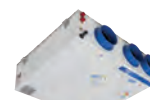
ALTAIR



BR



ORKA



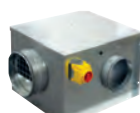
BR DH



PULSE

RECUPERADORES DE CALOR

298



CACB
CRCB



CTB



TD-SILENT



OZEO FLAT AUTO



OZEO FLAT H



NEMBUS



SLIMLINE



AD



BR



ORKA

VMC

336

ACCESORIOS VMC

365



ENTRADAS DE AIRE



BOCAS DE EXTRACCIÓN
Y/O IMPULSIÓN



REGULADORES
DE CAUDAL



PLÉNUMS



CONDUCTOS
FLEXIBLES

IN-LINE TD

389



TD-SILENT



TD-SILENT ECOWATT



TD-SILENT ECOWATT CAV



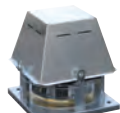
TD-EVO



TD-EVO PF ECOWATT



HCTT



TCDH EXD



CGT



CVAB/T-N



CVTT



ILT ATEX



TD ATEX



VCM / FG-N
FERRARI
INDUSTRIAL FAN TECHNOLOGY



FI-N / FA-R
FERRARI
INDUSTRIAL FAN TECHNOLOGY



KM
FERRARI
INDUSTRIAL FAN TECHNOLOGY



FLEXEO



SABIK



DOME0



NEMBUS



SLIMLINE



AD



RESPIRO



MBW



OZEO E



OZEO H



VENTURIA



PIV



CADB/T-HE



RHE



ALTAIR



SABIK



FLEXEO



DOME0



BR DH



PULSE



RESPIRO



CONDUCTOS
RÍGIDOS



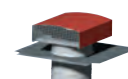
CONDUCTOS
PLÁSTICOS



CONDUCTOS
SEMIFLEXIBLES



CONEXIONES,
DERIVACIONES



SOMBREROS
DE TEJADO



TD-MIXVENT



SILENTUB



TDM



TD ATEX

**RESIDENCIAL
COCHINAS Y
BAÑOS**

406



HV-STYLVENT



HCM-N



SILENT DUAL



SILENT



SILENT DESIGN



DECOR

HORECA

435



SL



ECOHAND-N



SL-2020 ECO



COMET-P



COMET-S



CB

**CORTINAS
DE AIRE**

439



COR-N



COR-PRO



COR-PRO-N



COR-PRO-V



COR-FT

CALEFACCIÓN

450



EC-N/EP-N



FIRE FAN



MBE-R



IBE



IBW



CB



TL



TOWER 2000 PTC



RADIANT



TLS

**PURIFICACIÓN
Y TRATAMIENTO
DE AIRE**

471



AIRPUR 360



AIRPUR-2N



PAP 420-350



PAP 850-650

**VENTILACIÓN
DOMÉSTICA Y
TERCIARIA**

482



ARTIC N



ARTIC CN



ARTIC GR



ARTIC R



METEOR-ES N



METEOR NT

**ACCESORIOS
GENERALES**

494



ACCESORIOS DE MONTAJE



BATERÍAS DE AGUA



EDM



ECOAIR DESIGN



EB-N



EBB-N



CK



CAMPANAS



HE



HEC



HET



HTB



COR



KCTR



COR-IND



COR-S



HE



HEC



HET



TERMOTECH



EMI-TECH



PM



INFRARED



SAHARA



UP PRO-REG



UP ECOWATT



FB F7 H14



DHUM-EN



HUMI-ED



ARTIC TOWER



ARTIC-305 JET



TURBO



HTD



HTB



HTB-2500/3000



ACCESORIOS ELÉCTRICOS



ACCESORIOS FERRARI

| | | | | | | | |
|---------------------------------|---------------|----------------------------------|-----|--|----------|----------------------------------|----------|
| 2MA / 2MB / 2MD / 2ME..... | 294 | ARTIC CN GR | 485 | CAB ECOWATT | 86 | COR-IND M | 448 |
| 4BRF | 357 | ARTIC CN TC | 485 | CAB ECOWATT PLUS | 87 | COR-IND MW | 448 |
| 3WV | 524 | ARTIC N GR | 484 | CABLE INTERCONEXION HV/CR-300 | 409 | COR-N | 440 |
| A | | ARTIC PM GR / PRC GR | 486 | CAC-N | 90 | COR-N RF | 443 |
| AAC | 371 | ARTIC R | 486 | CACB ECM | 341 | COR-NW | 443 |
| AAP | 375 | ARTIC TOWER | 488 | CACB-N | 340 | COR-PRO | 442 |
| ABM50 | 381 | ASV KABT | 93 | CACB-N ECOWATT | 342 | COR-PRO-N | 442 |
| ACCESORIOS TD | 402 | ATRF | 385 | CACB-N ECM ECO | 343 | COR-PRO-N W | 443 |
| ACH | 276 | AVRZ | 217 | CAD-COMPACT | 300 | COR-PRO-V | 444 |
| ACOP.BRIDA | 502 | AXB | 352 | CAD-HE EC | 319 | COR-PRO-V W | 445 |
| ACOP.CODO FRP/CRRT MB | 137 | B | | CADB-HE EC | 315 | COR-S | 449 |
| ACOP RECT | 97 | BA | 549 | CADB/T-HE BASIC | 315 | CP | 539 |
| ACOP RECT CHGT/CGT F400 | 211 | BA-50 | 505 | CADB/T-HE ECOWATT | 303 | CP (metálico) | 506 |
| ACOP RECT F400 | 211, 213, 221 | BA-AC-N | 514 | CADB/T-HE PRO-REG | 308 | CP (tejado antilluvia) | 342 |
| ACOP RECT KABT-N | 93 | BA-AF | 514 | CADS-FLEXEO | 333 | CPP | 342 |
| ACOPEL EX N | 503 | BA-AF-HE | 312 | CADS-HE | 333 | CPTA-E | 531 |
| ACOPEL F400 N | 503 | BA-AF-HE | 312 | CAIB/T PRO-REG | 295 | CPTA-S | 531 |
| ACOPEL RECT | 332 | BA-AFC-HE | 312 | CAJA FILTRANTE CHEMINAIR | 102 | CR | 409 |
| ACP | 119 | BA-DX-HE | 313 | CAR | 499 | CR-20/CR-30 | 449 |
| ACP-N | 122 | BAFR | 515 | CAR PARK CONTROL PANEL | 533 | CR-25 | 452 |
| ACR | 381 | BAR | 369 | CARP | 119 | CR-AUTOMATIC | 440 |
| AD 160 | 355 | BAR ALIZE | 369 | CARP-N | 123 | CR-MAGNET | 441 |
| ADFF-160 | 355 | BAR ALIZE Modelos bicaudal | 370 | CB-2005 N | 465 | CR-MAGNET COR-PRO | 442 |
| ADFG4-160 | 355 | BARJ | 369 | CBA/CBS | 125 | CR-TEMP | 452, 463 |
| ADFG4F7-160 | 355 | BARP | 369 | CBB-60N | 124 | CRS | 383 |
| ADRF | 385 | BCC CAIB | 297 | CBM | 111 | CRCB ECOWATT | 341 |
| ADRF-160 | 355 | BCCA 1V | 520 | CBM pequeña | 110 | CRCB ECOWATT PR | 343 |
| AFR-CA | 314 | BDO | 372 | CBM-RE | 113 | CRHB-N/CRHT-N | 65 |
| AFR-F7 | 319 | BDOP | 372 | CBP | 114 | CRHB-N/CRHT-N ECOWATT | 68 |
| AFR-HE | 318 | BDRA | 229 | CBR | 90 | CRHB-N/CRVB-N ECOWATT PLUS | 71 |
| AFR-IAQ | 314 | BDS | 546 | CBT | 124 | CRMT | 232 |
| AFR-IAQ/CA | 314 | BEAS | 527 | CBT-N | 124 | CRMTC | 219 |
| AFR-F7 | 319 | BEH | 371 | CDR-ISO | 378 | CRVB-N/CRVT-N | 65 |
| AFR-M5 | 319 | BEH-DP | 371 | CFA-B | 368 | CRVB-N/CRVT-N ECOWATT | 68 |
| AFR-N | 106 | BF230T | 251 | CFH2 CFH3 | 539 | CSB | 124 |
| AFR-UTBS | 294, 478 | BF24T | 251 | CFHT | 170 | CSR-ISO | 378 |
| AFR-UTC | 479 | BF24T-ST | 251 | CFMT-N | 168 | CST | 124 |
| AFR CAD-COMPACT | 302 | BFL230T | 243 | CFST | 167 | CSU ISOLE | 504 |
| AFR CAIB | 297 | BFL24T | 243 | CGT | 80 | CT (metálico) | 387 |
| AFR CA PAP 35 | 473 | BFL24T-ST | 243 | CHAT-N | 212 | CT-12/14 | 523 |
| AFR CA PAP 650 | 474 | BFN23T | 243 | CHEMINAIR | 100 | CT-12/14-R | 523 |
| AFR F7 PAP 420/350 | 473 | BFN230T | 243 | CHGT | 203 | CT-P (plástico) | 387 |
| AFR F7 PAP 850/650 | 474 | BFN24T | 243 | CHMT | 231 | CTB | 344 |
| AFR H14 PAP 420/350 | 473 | BFN24T-ST | 243 | CHMTC | 218 | CTB ECOWATT | 344 |
| AFR H14 PAP 850/650 | 474 | BFR50 | 381 | CHR50 | 381 | CTB ECOWATT PLUS | 345 |
| AFR H14 | 478, 479 | BI | 510 | CHT1 | 221 | CTBH ECOWATT | 346 |
| AFR MF G4 | 97 | BIR | 373 | CHVB/CHVT | 213 | CTHB-N/CTHT-N | 194 |
| AFR RHE | 332 | BKN 230-24 | 243 | CI | 547 | CTI | 97, 224 |
| AFR UPC | 475 | BKS 241B | 243 | CK Gama Metal | 428 | CTI CHV | 213 |
| AFR UVF | 103, 475 | BKS 249A | 243 | CK Gama Plástico | 428 | CTI CVA-N/CHAT-N | 212 |
| AFR VOC PAP 350 | 473 | BM2D | 370 | CLAR | 499 | CTI KABT-N | 93 |
| AFR VOC PAP 650 | 474 | BO | 382 | CM-130 | 499 | CTP | 119 |
| AIR CONTROL SLIMLINE | 354 | BOAP | 372 | CMB/CMT | 126 | CTP-N | 122 |
| AIRPUR-2N | 472 | BOC | 373 | CMP | 119, 122 | CTVB-N/CTVT-N | 194 |
| AIRPUR 360 | 472 | BOCA ASPIRACION CFHT-CFST | 171 | CMPB/CMPT (1) | 119 | CTVT HP | 197 |
| AIRSENS CO2/VOC/RH | 528 | BOCA ASPIRACION CFMT | 168 | CMPB/CMPT (2) | 120 | CVA | 506 |
| AIRSENS WIFI | 528 | BOCP | 372 | CMPT ATEX | 279 | CVAB-N/CVAT-N | 91 |
| AJMS | 276 | BOR | 373 | CO2RF | 357 | CVAB/T-N ECOWATT | 92 |
| AJPA | 276 | BOREA | 372 | CO50/25 | 381 | CVB/CVT CENTRIBOX | 89 |
| ALIZE BEH | 371 | BORJ | 373 | COET | 384 | CVB SLIMBOX | 88 |
| ALTAIR | 351 | BORP | 373 | COF | 504 | CVD | 506 |
| AM | 507 | BOX | 430 | COM-2 | 520 | CVD CHGT/CGT | 211 |
| AM/AZ | 549 | BP 6/17 | 504 | COM-3 | 520 | CVD-IMP | 224 |
| AMORTIGUADOR DE MUELLE AM | 507 | BR 25 | 356 | COM D/S | 520 | CVM KABB/T | 94 |
| AMORTIGUADOR DE MUELLE TM | 507 | BR 25 BASIC | 356 | COMET-P | 438 | CVHN | 222 |
| ANGULO ALIZE | 371 | BR DH | 362 | COMET-S | 438 | CVHT | 220 |
| AP-RC | 355 | BRC CAIB | 297 | COMPACT GRANJAS | 34 | CVR50 | 381 |
| APC | 506 | BRG | 259 | COMPACT HCBH/HCBT | 32 | CVST | 223 |
| APP | 119 | BRIDA DESCARGA CBM | 112 | COMPACT TCBB/TCBT | 40 | CVTT | 95 |
| APP-N | 122 | BRL | 332 | CONJUNTO VOLUTA CFHT-CFST | 171 | CX | 504 |
| APPA | 332 | BROCHAL | 387 | CONTROL AERO-REG | 307 | CXRT-N F400 | 233 |
| APPR | 332 | BSP | 234 | CONTROL CAD-REG | 307 | D | |
| APPRF | 357 | BTT 25 | 252 | CONTROL ECOWATT | 525 | DECOR-100 | 420 |
| APR | 122 | BTT 25 M | 254 | CONTROL ECOWATT BASIC | 525 | DECOR-100C 12 V | 420 |
| APR CADT-HE | 318 | BTT 30 EURO | 256 | CONTROL ETT-6 | 463 | DECOR-200 | 421 |
| APR CAIB | 297 | C | | CONTROL FILTER-REG | 526 | DECOR-300 | 421 |
| ARO BRIDA COMPACT | 502 | CA (CFH1) | 539 | CONTROL REMOTO CR | 409 | DEF | 497 |
| ARO BRIDA TGT/THGT | 190 | CAB | 84 | COR-FT | 446 | DEF-A | 496 |
| ART | 146 | CAB-B | 84 | COR-FTW | 447 | DEF-AN | 496 |
| ARTIC-305 JET | 488 | CAB-PLUS | 85 | COR-IND | 449 | DEF-CBM | 112 |



| | | | | | | | |
|------------------------------|----------|-----------------------------------|----------|--|---------|-----------------------------------|----------|
| DEF-CBM-RE | 112 | GP [junta flexible Ferrari] | 544 | IRB/T ECOWATT | 99 | KITSPMDM | 269 |
| DEF-D | 496 | GP-ISO ECOSOFT | 378 | IRIS | 501 | KITSPMDT | 269 |
| DEF-T | 125, 496 | GP-PRO | 377 | ISA | 507 | KITSPPT | 268 |
| DEF.CIR | 122 | GPR-ISO | 378 | ISA-ILHT | 229 | KM | 164 |
| DEFENSAS TGT/THGT | 190 | GPX | 377 | J | | KMBD | 128 |
| DEFLECTOR JET-FAN | 193 | GR-100 | 511 | JAA | 510 | KMBI | 128 |
| DEMZ BI | 521 | GRA | 511 | JAE N | 510 | KMTA | 128 |
| DEMZ DA | 521 | GRA-SMF | 362 | JBR N | 510 | KMTI | 128 |
| DERIV | 385 | GRI | 511 | JBS | 510 | KPAD | 236 |
| DETECTOR CO | 536 | GRX | 377 | JBS-HATCH | 510 | KPBA | 236 |
| DETECTOR NO2 | 536 | GSA-M0 | 376 | JBS-V | 510 | KPJA | 236 |
| DF | 545 | GSI-M0 | 376 | JCA N | 510 | KPJD | 236 |
| DHUM-EN | 480 | H | | JCC | 510 | KRBI | 540 |
| DOMEO 210 | 361 | HA | 430 | JF-UTBS | 294 | KRJ | 125, 128 |
| DP | 540 | HC CTR | 362 | JMS | 510 | KRTO | 546 |
| DSI | 353 | HC CTR PLUS | 362 | JPA | 510 | KS1 | 250 |
| DSPRF | 357 | HCBB/HCBT | 32 | K | | KS2 | 250 |
| E | | HCBB/HCBT GRANJAS | 34 | KABB/KABT | 93 | KSE | 507 |
| EB-N | 427 | HCFB/HCFT | 30 | KABB/KABT ECOWATT | 94 | KTPR | 332 |
| EBB-N | 427 | HCGB/HCCT | 31 | KAD | 90, 128 | L | |
| EC 30 FI | 366 | HCM-N | 409 | KAD F400 | 128 | LA | 386 |
| EC-HY | 367 | HCTB/HCTT | 60 | KBA | 128 | LAF | 386 |
| EC-N | 452 | HDB/HDT | 274 | KBD | 128 | LAF 95 | 351 |
| EC-N (Aireador) | 366 | HE-N | 458 | KBTA | 125 | LF | 523 |
| ECA | 366 | HE-PD | 458 | KBTI | 125 | LFC | 241 |
| ECA-HY / ECA-HY RA | 367 | HEC-3000 | 459 | KCTR | 214 | LM-230A | 523 |
| ECA-RA | 366 | HET-1800 | 459 | KIT 1 TERMOWEB | 461 | M | |
| ECO-500 | 428 | HGHT-V | 201 | KIT 2 TERMOWEB | 462 | MA | 505 |
| ECOAIR DESIGN ECOWATT | 425 | HGTT-V | 63 | KIT AF | 332 | MANDO CADS FLEXEO | 333 |
| ECOAIR LC ECOWATT | 426 | HIB-P/HIT-P | 39 | KIT AM CAD-COMPACT | 302 | MANDO RF CO2 | 348 |
| ECOHAND N | 437 | HIG-2 | 530 | KIT DE EXTRACCIÓN CK | 429 | MANDO RF MC2 | 348 |
| EDM-100 12V | 424 | HP | 432 | KIT DECOR-100 12V + CT | 420 | MANDO SLIMLINE 4 POSICIONES | 354 |
| EDM-100 | 423 | HTB | 492 | KIT ECOAIR DESIGN 17 VDC + CT-17/18 ECOWATT | 425 | MANDO TIMER 12M S&P | 359 |
| EDM-200 | 424 | HTD | 490 | KIT ECOAIR LC 17 VDC + CT-17/18 ECOWATT | 426 | MAR | 402 |
| EDM-80 L/EDM-80 N | 422 | HTB-2500/3000 | 493 | KIT EMBELLECEDOR LATERAL DF210 | 361 | MAR-S | 393 |
| EDP | 505 | HUMI-ED | 481 | KIT F7 BR 25 | 357 | MARTE250100 | 382 |
| EMB-S/EMB-T | 497 | HV-STYLVENT | 408 | KIT F7 BR BASIC | 357 | MAX-TEMP | 194 |
| EMI-TECH | 460 | HVE | 408 | KIT F7/G4 DOME0 | 361 | MBE | 454 |
| EMI-TECH TERMOWEB | 460 | HXBR | 36 | KIT F7/G4 ORKA | 359 | MBE-R | 455 |
| EP-N | 452 | HXBR ECOWATT | 37 | KIT G4/G4 BR | 362 | MBR | 403 |
| F | | HXM | 35 | KIT G4/G4 BR BASIC | 357 | MBR-S | 393 |
| FA-R | 162 | HXTR | 36 | KIT G4/G4 ORKA | 359 | MBW | 334 |
| FB F7 H14 | 479 | I | | KIT G4/G4/G4 BR | 362 | MCA | 402 |
| FB F9 | 294 | IAA | 509 | KIT G4/G4 SLIMLINE | 354 | MCA-S | 393 |
| FB-CA-HE | 314 | IAE | 503 | KIT M5/G4 DOME0 | 361 | MCR50 | 381 |
| FB-IAQ HE | 314 | IAE EX | 277 | KIT M5/G4 FLEXEO | 358 | MD | 267 |
| FBL-HE | 314 | IBE | 456 | KIT M5/G4 IDEO | 361 | MD34 | 241 |
| FBL-N | 106 | IBR | 502 | KIT M5/G4 ORKA | 359 | MD36 | 241 |
| FC-REG | 307 | IBW | 456 | KIT M5/G4 ORKA | 359 | MDF 25 | 244 |
| FD | 213 | ICAV-ICAH | 228 | KIT M5/G4 ORKA | 359 | MDF 25 L | 240 |
| FG-N | 154 | ID KIT COMPUERTA UTBS | 294 | KIT M5/G4 ORKA | 359 | MDF 25 LM | 242 |
| FI-N | 158 | IFFT | 118 | KIT M5/G4 ORKA | 359 | MDF 25 M | 246 |
| FILTRO AIRPUR 360 | 472 | IFHT | 230 | KIT PIE EMI-TECH | 460 | MDF 30 EURO | 248 |
| FILTRO AIRPUR-2N | 472 | IFL-F | 107 | KIT PIES CAD-COMPACT | 302 | MDN50 | 381 |
| FILTRO CARBON | 433 | IFL-G4 | 107 | KIT PIES CADB-HE | 318 | ME33 | 241 |
| FILTRO ECOHAND-N | 437 | IFR-F | 107 | KIT RC HTB | 491 | ME35 | 241 |
| Filtros PIV | 350 | IFR-G4 | 107 | KIT SEGURIDAD HIT/HIB | 39 | ME40 | 250 |
| FIRE FAN | 453 | IJK | 499 | KIT SILENT-100 12VDC ECOWATT + CT-12/6 | 413 | MEC | 138 |
| FLEXEO 3V | 358 | IJKH | 229 | KIT SILENT-100 CZ 12V + CT | 412 | MEDIDOR TERMOWEB | 462 |
| FLEXICIR | 382 | ILAR | 228 | KIT SILENT-100 DESIGN 12VDC ECOWATT + CT-12/6 | 417 | METEOR-ES N | 487 |
| FLEXIREC | 381 | ILBC | 228 | KIT SPVEST | 263 | METEOR-NT | 487 |
| FQ | 142 | ILBR | 228 | KIT TOALLERO CB-2005 N | 465 | MF-G4 | 97 |
| FR | 129 | ILHB-ILHT ECOWATT | 226 | KIT TOBERAS SABIK | 360 | MFL-F | 105 |
| FRC | 133 | ILHT | 225 | KIT TWIN BASE | 402 | MFL-G4 | 104 |
| FRP | 137 | ILPL | 229 | KITKBTR | 429 | MFP | 119 |
| FS31100 | 241 | ILRC | 228 | KITKS3 | 429 | MFP-N | 123 |
| FS3172 | 241 | ILSH | 228 | Kits de Extracción TD MIXVENT | 402 | MFR-F | 105 |
| FTRGALAXY | 382 | ILT ATEX | 277 | KITS EDM-100 12V + CT | 424 | MFR-G4 | 104 |
| FXR50 | 381 | ILTI | 228 | KITSPDUALM | 268 | MFR-ISO | 378 |
| G | | ILTM | 228 | KITSPDUALT | 268 | MIA | 370 |
| GA | 543 | ILVV-ILVH | 228 | KITSPMD2DUALM | 270 | MIB-MIR | 330 |
| GALAXY | 382 | INFRARED-125-155 | 464 | KITSPMD2DUALT | 270 | MIBL 0-10V | 331 |
| GCAM | 386 | INT-IPM | 521 | KITSPMD2DUALT | 270 | MIBL ON-OFF | 330 |
| GCI | 512 | INTER 3P | 348 | KITSPMD2M | 269 | MIBR 0-10V | 331 |
| GE | 431 | INTER 4P | 520 | KITSPMD2T | 269 | MIBR ON-OFF | 330 |
| GET | 432 | INTERRUPTOR PARO-MARCHA | 520 | KITSPMDUALM | 270 | MLD | 332 |
| GL | 431 | INTERRUPTOR VMC 2V | 347, 520 | KITSPMDUALT | 270 | MNG | 368, 370 |
| GP [conducto flexible] | 377 | IRAB-N/IRAT-N | 101 | KITSPMDUALT | 270 | MNGJ | 370 |
| | | IRB/IRT | 98 | | | MNGP | 370 |

| | | | | | | | |
|----------------------------------|----------|-----------------------------|---------------|-----------------------------------|----------|--------------------------------|-----|
| MNGPH | 371 | PROSYS ECOWATT | 525 | SIL-CZ | 508 | THGT-HATCH | 198 |
| MODBUSRF | 357 | PRRE | 302, 318, 332 | SIL-CZ0 | 509 | THR50 | 381 |
| MODULO MODBUS SLIMLINE | 354 | PSB/PST PLUG SET | 116 | SIL-F | 546 | TIMER RTC ECOWATT | 525 |
| MPC | 403 | PULSE | 363 | SIL (UP PRO-REG/ECOWATT) | 478 | TIMER ZN-62 | 522 |
| MPC-S | 393 | PULSE CONTROL PRO | 363 | SIL UTBS | 294 | TJFT-TJFU | 54 |
| MRJ | 403 | PULSE FILTER SET | 363 | SILEC KIT | 368 | TJHT-TJHU | 192 |
| MRJ-S | 393 | PULSER | 524 | SILEM KIT | 366 | TL-10 N | 466 |
| MRT | 383 | PVC 50/33 | 505 | SILEM KIT HY | 367 | TL-18 PTC | 468 |
| MRT-P | 383 | PVMCSH6 | 382 | SILENT-100 | 412 | TL-20 N | 466 |
| MSCE | 297 | R | | SILENT-100 CZ 12V | 412 | TL-32 | 467 |
| MSCZ | 217 | RADIANT-1505 | 469 | SILENT-100 DESIGN | 415 | TL-39 H | 466 |
| MSK EX | 520 | RC | 545 | SILENT-100 DESIGN ECOWATT | 417 | TL-39 V | 467 |
| MTA50 | 381 | RCAZ | 217 | SILENT-100 ECOWATT | 413 | TL-39 VM | 467 |
| MVD | 382 | RCRZ | 217 | SILENT-200 | 414 | TL-40 | 467 |
| MVDNI | 382 | RD BP | 375 | SILENT-200 DESIGN-3C | 418 | TLS-501 | 469 |
| N | | RD BP SM | 375 | SILENT-300 | 414 | TLS-503 T | 469 |
| NEMBUS 210 | 353 | RD75 | 382 | SILENT-300 DESIGN-3C | 419 | TM | 507 |
| NEMBUS-VOC | 353 | RDC75 | 382 | SILENT DUAL | 410 | TMPB/TMPT | 77 |
| NEMBUS210-F-G4F7 | 353 | RDR | 374 | SILENTUB | 404 | TORNILLERIA HV PARA MURO | 408 |
| NEMBUS210-F-G4G4 | 353 | RDR BP | 374 | SILP | 123 | TOWER-2000 PTC | 468 |
| NEMBUS210-PH | 353 | RDR BP SM | 374 | SL-2002 | 436 | TPKD | 217 |
| NOD50 | 381 | REB-10 | 516 | SL-2008 | 436 | TPP CAD-COMPACT | 302 |
| O | | REB-1N | 516 | SL-2020 ECO | 436 | TPP UTBS | 294 |
| ONDA CRISTAL | 431 | REB-1NE | 516 | SL-2500NA | 437 | TPP-HE | 318 |
| ORKA HR | 359 | REB-1R | 409 | SLIMLINE | 354 | TPSB | 74 |
| OSCURECEDOR HIT/HIB | 39 | REB-2,5N | 516 | SM-230/T-N | 520 | TPSB ECOWATT | 74 |
| OZEO E ECOWATT 2 | 348 | REB-2,5NE | 516 | SM-24/PRO | 520 | TR-1N | 452 |
| OZEO E ECOWATT CONTROL CO2 | 348 | REB-5 | 516 | SM-24/T-N | 520 | TR-2 | 452 |
| OZEO FLAT AUTO 2V | 347 | REB-CVF | 519 | SONDA CONTROL CO2 | 348 | TRAFO 15-D | 523 |
| OZEO FLAT H 2 | 347 | REB-ECOWATT | 527 | SONDA PT1000 METALICA CURVA | 313 | TRB/TREB | 45 |
| OZEO FLAT H ECOWATT | 347 | REC.AIRSENS RF | 528 | SOP.COR-PRO | 442 | TRW | 524 |
| OZEO H ECOWATT 2 | 349 | RED | 382, 383 | SOPORTE COMET-S | 438 | TSP-A | 319 |
| OZEO H ST 2 | 349 | RED AL | 383 | SOPORTE MOTOR TENSOR | 114 | TSP-B | 361 |
| P | | RED P | 383 | SPCM | 353, 360 | TSP-PLUS | 351 |
| P | 507 | REEV | 501 | SPCM-1 | 351 | TT-S1 | 524 |
| PA | 548 | REGUL-2 | 520 | SPCM-WB | 361 | TTT-N | 55 |
| PACK PR | 526 | REJA COR-FT | 446, 447 | SPRD-010B 800 | 297, 332 | TUBCIR | 379 |
| PAF | 512 | REJILLA UTBS | 478 | SQA | 530 | TUBO TELESCOPICO Y PERSIANA | |
| PAP 420 - 350 | 473 | REMP | 532 | STRT W316XH216/D200 | 319 | FIJA | 513 |
| PAP 850 - 650 | 474 | REMOV | 500 | SUP | 319 | TUBREC | 379 |
| PAPV | 342 | REP | 122 | T | | TURBO CN PLUS | 489 |
| PAQS | 512 | RESPIRO | 364 | TAP | 512 | TURBO-3000 | 489 |
| PARKING DETECTION PANEL | 536 | RHE - gama estándar | 322 | TAT | 512 | TURBO-N | 489 |
| PAVZ | 507 | RHE | 320 | TBI | 524 | TURBO N PLUS | 489 |
| PB-V | 478 | RHE-SO | 326 | TCBB/TCBT | 40 | TXBR ECOWATT | 44 |
| PB-VR | 478 | RHRF | 357 | TCBBx2 | 42 | U | |
| PBB/PBT | 43 | RJ45-10 COR-PRO | 442 | TCBTx2 | 42 | UA75 | 382 |
| PD | 549 | RMB | 517 | TCDH EXD | 276 | UP ECOWATT | 477 |
| PDS CONTROL | 264 | RMME | 500 | TCT | 38 | UP PRO-REG | 476 |
| PDS CONTROL MD | 264 | RMVT | 500 | TD ATEX | 278 | UPC ECOWATT | 475 |
| PDS REM | 267 | RMN50 M/F | 381 | TD-EVO PF ECOWATT | 398 | USD-N | 93 |
| PDS REM MD | 267 | RMT | 517 | TD-EVO VAR | 397 | UTBS ECOWATT | 282 |
| PER-CR | 498 | RP | 511 | TD-MIXVENT | 399 | UTBS PRO-REG | 288 |
| PER-CR CHGT/CGT | 211 | RRB-100 | 516 | TD-SILENT | 390 | UVF ECOWATT | 103 |
| PER-W | 498 | S | | TD-SILENT ECOWATT | 394 | V | |
| PFB/PFT | 117 | SA/SAP | 541 | TD-SILENT ECOWATT CAV | 396 | VA | 431 |
| PIE | 502 | SABIK | 360 | TD-SILENT-T | 391 | VAPZ | 526 |
| PIE-100/120 | 404 | SABIK-NEMBUS-SF | 353 | TDM | 404 | VCM | 150 |
| PIE SOPORTE CBM-RE | 112 | SABIK-VOC | 360 | TDP | 531 | VENTILADORES ACTIVADORES DE | |
| PIE SOPORTE CBP/CBM | 112, 114 | SABIK-WMC | 360 | TER | 378 | CHIMENEAS | 194 |
| PIE SOPORTE TGT/THGT | 191 | SABIK210-F-G4G4 | 360 | TERMOSTATO TERMOWEB | 462 | VENTURIA E 2018 | 349 |
| PILOT PARC | 534 | SABIK210-PH | 360 | TERMOTECH-HT | 457 | VF-UTBS | 294 |
| PIV | 350 | SABIK E | 360 | TERRA250100 | 382 | VFKB IP65 | 519 |
| PIV W | 350 | SAD/SAPD | 542 | TET | 57 | VFTM320 | 518 |
| PLENUM UNI EXT 6+1 | 375 | SAHARA | 470 | TG-K | 524 | VFTM320 IP66 | 518 |
| PLENUM UNI IMP 8 | 375 | SAHARA-903 | 470 | TG-K NTC 4M | 302 | VFTM650 IP55 | 518 |
| PLENUM UNI PL | 382 | SCHT | 530 | TG/K3 PT1000 | 313 | VM-A | 382 |
| PLI 50/5 P | 381 | SC02 | 530 | TG-R | 524 | VMKIT 75/90 | 382 |
| PLI 50/9 P | 381 | SC02-G 0/10V | 527 | TGT | 46 | VOLUTA CFMT | 168 |
| PLUGK 75/90 (5 UDS.) | 382 | SC02-G | 527 | TGT ATEX | 46 | VR | 512 |
| PLUGSK 75/90 | 382 | SELZ 04 | 520 | TH ATEX | 275 | VRPU | 526 |
| PM | 464 | SENSOR DE VIBRACIONES | 547 | TH ECOWATT | 76 | W | |
| PPHZ | 217 | SF | 542 | TH-MIXVENT | 75 | WCT | 524 |
| PPVZ | 217 | SG | 548 | THCO | 294, 313 | WDS KABT | 93 |
| PR | 370 | SHT | 530 | THE 16/4 A | 524 | WINDOWS KIT | 513 |
| PRC.E 177X278 | 370 | SHT-G | 527 | THE-F | 524 | | |
| PRESOSTATO DPS | 523 | SIFON | 385 | THGT | 174 | | |
| PROSYS CTBH | 346 | SIL | 508 | THGT 2 polos | 174 | | |
| | | SIL 750 | 292 | | | | |

nuestro PROPÓSITO

Innovar en soluciones de ventilación que sean energéticamente eficientes, fáciles de instalar, fiables y duraderas, para asegurar la calidad del aire en todos aquellos espacios interiores que habitamos y transitamos.

nuestra VISIÓN

Pasamos el 90% de nuestras vidas en espacios cerrados. Queremos un mundo en el que la calidad del aire interior esté al alcance de todas las personas.

nuestra MISIÓN

Desarrollar las mejores soluciones de ventilación para que los profesionales de la arquitectura y la construcción puedan ofrecer a las personas espacios habitables que primen la calidad del aire y la recuperación de energía, contribuyendo así a la sostenibilidad real de nuestro medio ambiente.

S&P fue creada en 1951. Desde sus inicios hubo una clara visión de que el futuro dependía de la expansión exterior, inicialmente hacia Europa, para continuar en el resto de los mercados mundiales.

FILOSOFÍA

Las bases filosóficas sobre las que S&P basó y sigue basando su proyecto son:

Tecnología propia: Si el proyecto de S&P debía ser fuerte y consolidarse en el tiempo, era necesario basarse en la creatividad y aportar productos diferenciales, evitando imitar lo que hacían los demás. S&P ha registrado, a lo largo de su historia, 80 patentes propias, más de 20 modelos industriales y más de 120 modelos de utilidad.

Internacionalización y Crecimiento: Estaba claro que la garantía de futuro de la empresa pasaba por abrirse al mundo y entrar en nuevos mercados con elevados niveles de competitividad. Ello obligaba a una constante mejora del producto. Actualmente S&P es un líder mundial en ventilación, con centros productivos en Europa, América y Asia. Una potente estructura de distribución, mediante filiales y distribuidores exclusivos, permite que S&P esté presente en todos los mercados mundiales, dando cobertura y servicio.

Autofinanciación: Una de las fortalezas de S&P ha sido el crecimiento constante y la política de reinversión de beneficios en una mejora continuada de tecnología, tanto en el campo de investigación como de producción y comercialización. Esto ha permitido que S&P sea una empresa autofinanciada, lo que le proporciona una total independencia en la toma de decisiones.

SERVICIO AL CLIENTE

En un mercado tan competitivo como el actual, no basta con producir con una calidad excelente sino que cualquier empresa debe acompañar los productos con una amplia gama de servicios de apoyo a sus clientes y prescriptores. En S&P este principio está muy claro. Para ello, nuestros clientes saben que disponen de:

- Comerciales propios con un elevado nivel de formación técnica.
- El Servicio Integral de Atención al Cliente (SIAC), con diez líneas de teléfono y una de fax totalmente gratuitas a través de las que se atienden todas las consultas comerciales.
- El Servicio de Asesoría Técnica Gratuita (SAT), que soluciona, anualmente, más de 20.000 casos relacionados con proyectos de ventilación. Su trabajo se complementa en una completa página WEB en la cual S&P muestra su catálogo de producto, pone a libre disposición de los profesionales una gran parte de los conocimientos acumulados durante los más de 60 años de experiencia de la empresa, e incorpora el software EASYVENT, diseñado por S&P, para ayudar a los profesionales a elegir el producto más idóneo para cada aplicación.

PILARES BÁSICOS

Sobre las bases filosóficas del proyecto de S&P, hay unos pilares básicos en los que se sustenta la empresa:

Desarrollo de las personas: En S&P potenciamos el factor humano fomentando el trabajo en equipo, la aportación de ideas, la promoción interna y la formación. Inculcamos la delegación de responsabilidades, la confianza y pleno respeto del individuo, valorando que las personas se sientan parte de un proyecto común y se identifiquen con los valores de la empresa.

Excelencia en la gestión: Consideramos como fundamentales la dedicación, honestidad, autoexigencia y empeño en hacer bien las cosas, para lograr los niveles de calidad y servicio requeridos por nuestros clientes.

Investigación: En el departamento de I+D+I, más de 60 Ingenieros y técnicos, equipados con los más modernos sistemas de diseño, trabajan para conseguir productos con las mejores prestaciones. S&P impulsa una gama de productos con un tronco común, adaptados a las necesidades de los mercados locales. Para ello se han creado centros de I+D+I en cada área geográfica, donde se investiga para incorporar al catálogo los productos más adecuados en función de las necesidades o legislación de cada país.

Producto: Hoy el catálogo de S&P ofrece una gama de productos de ventilación, tanto industrial como doméstica, que no está al alcance de ninguna empresa del mundo, con soluciones adecuadas para cada necesidad y con un constante trabajo de actualización para facilitar a los usuarios no sólo la elección del modelo idóneo, sino el diseño preciso para realizar instalaciones de una manera cómoda, segura y con garantías.



CALIDAD

En S&P somos conscientes de que la calidad es garantía de éxito, por ello está definida como una cuestión de principios. S&P fue la primera empresa española en figurar en el registro de AENOR con esta homologación, hoy actualizada con la UNE-EN ISO 9001:2008. Actualmente todos nuestros centros productivos tienen la certificación ISO-9001. Asimismo, se han homologado sistemas de calidad para gamas de producto con ejecuciones especiales: Alta temperatura, ATEX y otros. Desde el año 1992, el Laboratorio de Aerotécnica de S&P está acreditado por ENAC para la realización de los ensayos de ventiladores en características, ruido y vibraciones, de acuerdo a la norma ISO/IEC 17025. En la actualidad, nuestro Laboratorio está acreditado a nivel internacional por el organismo ILAC-MIRA.



ER 0001/1989



RESPECTO POR EL MEDIO AMBIENTE

Sería incompatible con el pensamiento de S&P una política que no fuese extraordinariamente respetuosa con el medio ambiente. Nuestra vocación de futuro nos implica profundamente en el legado que vamos a dejar a nuestros hijos. S&P es la única empresa del sector certificada según la norma UNE-EN ISO 14001:2004 por la Gestión Ambiental: para ello se filtran los gases emitidos y se reciclan todos los residuos líquidos o sólidos que se generan en los procesos productivos, para proceder a su posterior reaprovechamiento.



GA 2003/0013





Productos concebidos y diseñados con características constructivas y funcionales que faciliten su montaje, de diseño adaptado a la particularidad de cada instalación, para lograr un substancial ahorro de tiempo, costes y recursos. Son también productos de fácil mantenimiento, que permite alargar su vida útil y minimizar sus problemas de funcionamiento.



Productos concebidos y diseñados para ser energéticamente eficientes, que contribuyan al inequívoco compromiso de nuestra empresa en la eliminación del plástico de un solo uso, el fomento del reciclaje, el uso del papel reciclado, la promoción de la economía circular, la utilización de energías renovables y la reducción de las emisiones de CO₂.



Productos concebidos y diseñados para lograr una óptima calidad de aire interior, que contribuya de manera relevante al incremento del confort y al mantenimiento de la salud de las personas.





En Soler & Palau colaboramos con aquellos Organismos y Certificaciones que impulsan la eficiencia y la sostenibilidad en la Edificación



BREEAM® ES

Asociación sin ánimo de lucro que se dedica a la divulgación del estándar Passivhaus y de edificios de alto confort y máxima eficiencia energética

BREEAM® (Building Research Establishment Environmental Assessment Methodology) es el método de evaluación y certificación de la sostenibilidad en la edificación



El Clúster de la Edificación es una organización abierta a la participación de empresas, personas y organismos cuya actividad esté relacionada con la cadena de valor de los edificios

Certificado WELL
Sistema de puntuación dinámico para edificios y comunidades que permite identificar, medir y monitorizar las características de los edificios y el impacto en la salud de sus ocupantes



La Confederación de Cooperativas de Viviendas de España es una Asociación de carácter representativo de ámbito estatal, para la defensa, coordinación y asesoramiento de las Entidades afiliadas

Actualmente S&P es una empresa implantada y reconocida en todo el mundo con filiales propias en Alemania, Australia, Austria, Bélgica, Brasil, Canadá, Chile, Colombia, Eslovaquia, Estados Unidos, Francia, Holanda, Irlanda, Italia, Letonia, Lituania, Méjico, Noruega, Portugal, Reino Unido, República Checa, Rumanía, Turquía y Suiza, con distribuidores exclusivos en la mayoría de países del resto del mundo.

Planta Ripoll



Centro logístico de Parets



Planta Sils



Planta Torelló



Planta Madrid



Planta Francia



Planta Ferrari Italia



Planta Ferrari Alemania



Planta Reino Unido



Planta Noruega



Planta Brasil



Planta Méjico



Planta EE.UU. - Florida



Planta EE.UU. - Wisconsin



Soler&Palau
Ventilation Group

25 FACTORÍAS
36 FILIALES
06 CENTROS I+D+I
63 DISTRIBUIDORES



S&P ESPAÑA



S&P FRANCIA



S&P FRANCIA - LYON



S&P FRANCIA - PARIS



S&P ITALIA



S&P PORTUGAL - OPORTO



S&P PORTUGAL - LISBOA



S&P BÉLGICA



S&P HOLANDA



S&P SUIZA



S&P ALEMANIA - MÚNICH



S&P ALEMANIA - DARMSTADT



S&P AUSTRIA



S&P RUMANIA



S&P REPÚBLICA CHECA



S&P ESLOVAQUIA



S&P LETONIA



S&P LITUANIA



S&P REINO UNIDO



S&P IRLANDA



S&P CANADÁ



S&P COLOMBIA



S&P CHILE



S&P AUSTRALIA



S&P TURQUÍA



S&P DUBAI



S&P-KRUGER SINGAPUR



S&P-KRUGER SHANGAI



S&P-KRUGER PEKÍN



S&P-KRUGER GUANGZHOU



S&P-KRUGER WUHAN



S&P-KRUGER HONG KONG



S&P-KRUGER TAIWAN



S&P-KRUGER TAILANDIA



S&P-KRUGER MALASIA



S&P-KRUGER AUSTRALIA



S&P-KRUGER INDONESIA



S&P-KRUGER INDIA NORTE



S&P-KRUGER INDIA



S&P-KRUGER COREA



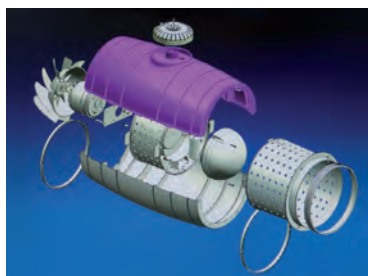
S&P-KRUGER FILIPINAS



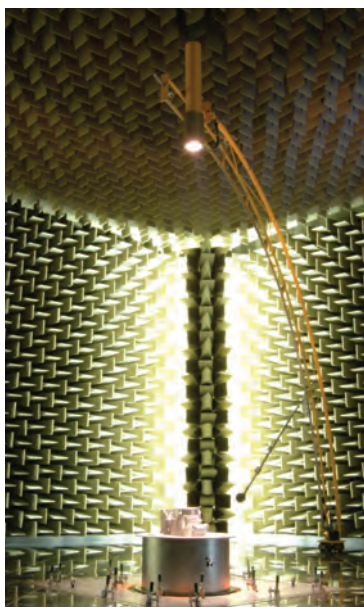
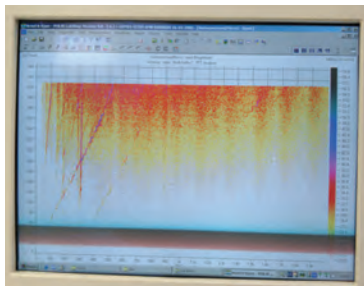
S&P-KRUGER VIETNAM

S&P es una empresa especializada en ventilación, tanto a nivel industrial como doméstico. Por ello, cuando se inicia un proyecto, en el departamento de I+D+i se estudian detenidamente las características funcionales, el comportamiento que va a tener el producto en el uso real, la facilidad para la instalación, las condiciones de trabajo incluso en situaciones extremas, la optimización de consumos, el rendimiento y la vida útil del producto para que el profesional que prescriba o instale ventiladores S&P lo haga con entera confianza y la plena satisfacción de sus clientes. S&P domina todas las tecnologías para la producción de ventiladores:

DEPARTAMENTO DE I+D+i



CÁMARA ANECOICA para la determinación de niveles sonoros



DEPARTAMENTO DE METROLOGÍA



LABORATORIO DE MOTORES



MÁQUINAS DE ELECTROEROSIÓN



FABRICACIÓN DE MATRICES



TÚNELES AERODINÁMICOS
para determinar las prestaciones
caudal-presión de los ventiladores



INYECCIÓN DE ALUMINIO



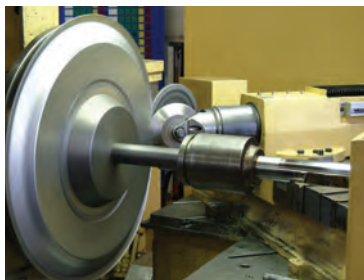
INYECCIÓN DE PLÁSTICO



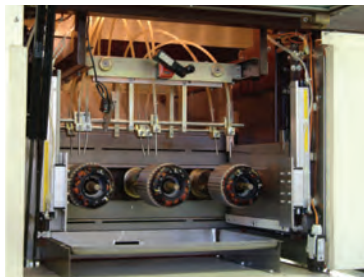
PLEGADO Y CORTE DE CHAPA



REPULSADO



FABRICACIÓN DE MOTORES



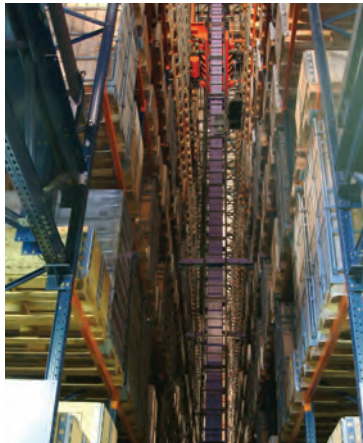
PINTURA



EQUILBRADO DE HÉLICES Y RODETES



ALMACÉN DE COMPONENTES



MONTAJE DE PRODUCTO



VERIFICACIÓN EN FINAL DE LÍNEA,
DEL 100% DEL PRODUCTO



CÁMARA BICLIMÁTICA



CÁMARAS CLIMÁTICAS
para ensayar los ventiladores
en distintas condiciones de
temperatura, humedad, salinidad y
radiaciones ultravioletas



CÁMARA DE FUGAS



ENVEJECIMIENTO DE PRODUCTO EN INTEMPERIE



SERVICIO DE ASESORÍA TÉCNICA

En S&P, como especialistas en ventilación, entendemos que debemos poner nuestros conocimientos al servicio de clientes y prescriptores. Por esta razón, el Servicio de Asesoría Técnica (SAT) colabora de forma gratuita con ellos para ayudarles a encontrar la solución más adecuada a los problemas de ventilación. El SAT soluciona anualmente más de 20.000 casos de ventilación, desde pequeños problemas domésticos a grandes instalaciones de ventilación industriales, comerciales o de servicios.



LOGÍSTICA

El cuidado diseño del producto y el asesoramiento técnico se complementan con el espíritu de servicio que priva en la filosofía de S&P. Queda esto patente, además, en el aspecto logístico, cuidando la calidad y aspecto de los embalajes, manteniendo en los almacenes un stock medio permanente de más de 10.000 palets de producto, y diseñando un programa de expediciones que permite entregar los pedidos a las agencias de transporte en un máximo de 24 horas, con una expedición de más de 300.000 unidades mensuales.





PRODUCTO



30 HCFB/HCFT
Hélice de plástico



32 HCBB/HCBT
Hélice de Aluminio



34 HCBB/HCBT GRANJAS



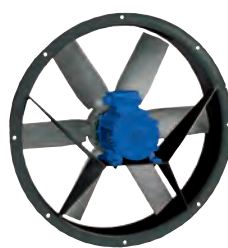
35 HXM



36 HXBR/HXTR



37 HXBR ECOWATT



38 TCT



39 HIB-P/HIT-P

Todos los motores incorporados en nuestros productos cumplen con el Reglamento CE nº 640/2009.



Serías capacitadas para trabajar **en continuo** a la temperatura máxima indicada.



Serías que cumplen con la **Directiva ErP**.



Serías energéticamente eficientes.



40 TCBB/TCBT
Hélice de Aluminio



42 TCBBx2/TCBTx2



43 PBB/PBT



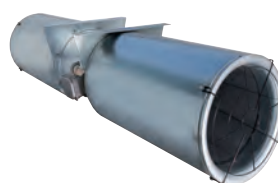
44 TXBR ECOWATT



45 TRB/TREB



46 TGT



54 TJFT/TJFU



55 TTT-N



57 TET

Todos los motores incorporados en nuestros productos cumplen con el Reglamento CE nº 640/2009.



Serías capacitadas para trabajar en continuo a la temperatura máxima indicada.



Serías que cumplen con la Directiva ErP.



Serías energéticamente eficientes.

Se aplicará el tipo de IVA general

Serie HCFB/HCFT



HCFB/HCFT



Configuración constructiva modelos Ø800 - Ø1000

Ventiladores helicoidales murales con hélice de plástico reforzada con fibra de vidrio, motor monofásico (HCFB) o trifásico (HCFT), IP65 (1), Clase F (2), protector térmico incorporado (3) y caja de bornes, con condensador incorporado en los modelos monofásicos.

- (1) Modelos Ø 800, 900 y 1000: IP55.
- (2) Temperatura de trabajo: de -40°C a +70°C, excepto los modelos 4-710 adecuados hasta +55°C y modelos Ø 800 a 1000 (de -20°C a 40°C).
- (3) Excepto modelos 800 a 1000.

Motores

De 2, 4 ó 6 polos, según versiones. Regulables por tensión con autotransformador, excepto modelos de 2 polos y /4-630, 710, T/800, T/900 y T/1.000. Modelos trifásicos regulables por convertidor de frecuencia.

Tensión de alimentación
 Monofásicos 230V-50Hz
 Trifásicos 230/400V-50Hz ó 400V-50Hz
 (Ver cuadro de características).

Otros datos

Sentido del aire Motor-Hélice (flujo A). Modelos Ø 800 a 1000 con defensa de aspiración, bajo demanda.



ACCESORIOS DE MONTAJE (Ver códigos y precios en Accesorios Generales)

| Modelo HCFB/HCFT | Defensas de protección | | Persianas de sobrepresión | |
|------------------|------------------------|-------------|---------------------------|-------------|
| | Descarga | Aspiración | Plástico | Aluminio |
| 250 | DEF-250 D | - | PER-250 W | PER-250 CR |
| 315 | DEF-325 D | - | PER-355 W | PER-355 CR |
| 355 | DEF-375 D | - | PER-355 W | PER-355 CR |
| 400 | DEF-450 D | - | PER-400 W | PER-400 CR |
| 450 | DEF-450 D | - | PER-450 W | PER-450 CR |
| 500 | DEF-525 D | - | PER-500 W | PER-500 CR |
| 560 | DEF-630 D | - | PER-560 W | PER-630 CR |
| 630 | DEF-630 D | - | PER-630 W | PER-630 CR |
| 710 | DEF-800 D | - | PER-710 W | PER-710 CR |
| 800 | DEF-800 D | DEF-800 AN | PER-800 W | PER-800 CR |
| 4-900/H | DEF-1000 D | DEF-900 AN | PER-1000 W | PER-1000 CR |
| 4/900/L | DEF-1000 D | DEF-901 AN | PER-1000 W | PER-1000 CR |
| /6-900 | DEF-1000 D | DEF-901 AN | PER-1000 W | PER-1000 CR |
| 1000 | DEF-1000 D | DEF-1000 AN | PER-1000 W | PER-1000 CR |
| /4-1000/H | DEF-1000 D | DEF-1001 AN | PER-1000 W | PER-1000 CR |

Es imprescindible comprobar que las características eléctricas (voltaje, intensidad, frecuencia, etc) del motor que aparecen en la placa del mismo son compatibles con las de la instalación.

| Código | Modelo | Velo- cidad (r.p.m.) | Potencia absorbida máxima (W) | Intensidad máxima (A) | | Nivel de presión sonora* (dB(A)) | Caudal máximo (m³/h) | Peso (kg) | Regulador de tensión opcional | | Convertidor de frecuencia opcional | | Grupo producto | Precio €/u. |
|----------------------------|---------------------|----------------------------|--|-----------------------------|-------|---|----------------------------|--------------|-------------------------------------|---------|--|---------|-------------------|-----------------|
| | | | | 230 V | 400 V | | | | REB | RMB/T** | VFTM** | VFKB** | | |
| MONOFÁSICOS 2 POLOS | | | | | | | | | | | | | | |
| 5602511800 | HCGB/2-315/I | 2690 | 336 | 1,5 | - | 63 | 3.150 | 7 | - | - | - | - | E01 | 632,71 |
| 5602512600 | HCGB/2-355/I | 2730 | 392 | 1,7 | - | 68 | 3.550 | 8 | - | - | - | - | E01 | 720,53 |
| MONOFÁSICOS 4 POLOS | | | | | | | | | | | | | | |
| 5603891200 | HCFB/4-250/H | 1380 | 77 | 0,3 | - | 49 | 1.090 | 5 | REB-1 | RMB-1,5 | - | - | E01 | 521,26 |
| 5602069600 | HCFB/4-315/H | 1340 | 125 | 0,6 | - | 55 | 2.220 | 7 | REB-1 | RMB-1,5 | - | - | E01 | 539,90 |
| 5602184400 | HCFB/4-355/H | 1415 | 168 | 0,7 | - | 59 | 3.470 | 8 | REB-2,5 | RMB-1,5 | - | - | E01 | 689,15 |
| 5602075400 | HCFB/4-400/H | 1420 | 271 | 1,2 | - | 62 | 4.920 | 9 | REB-2,5 | RMB-3,5 | - | - | E01 | 734,48 |
| 5602070400 | HCFB/4-450/H | 1380 | 471 | 2,0 | - | 65 | 6.830 | 13 | REB-2,5 | RMB-3,5 | - | - | E01 | 931,92 |
| 5602185000 | HCFB/4-500/H | 1400 | 671 | 2,9 | - | 68 | 9.140 | 16 | REB-5 | RMB-3,5 | - | - | E01 | 1.140,50 |
| 5602002800 | HCFB/4-560/H | 1410 | 1102 | 4,7 | - | 70 | 12.980 | 22 | - | - | - | - | E01 | 1.325,45 |
| 5602082900 | HCFB/4-630/H | 1380 | 1573 | 7,1 | - | 73 | 17.230 | 25 | - | - | - | - | E01 | 1.554,53 |
| MONOFÁSICOS 6 POLOS | | | | | | | | | | | | | | |
| 5605756500 | HCFB/6-315/H | 990 | 80 | 0,4 | - | 45 | 1.620 | 7 | REB-1 | RMB-1,5 | - | - | E01 | 516,54 |
| 5602119900 | HCFB/6-355/H | 920 | 81 | 0,4 | - | 48 | 2.250 | 8 | REB-1 | RMB-1,5 | - | - | E01 | 659,28 |
| 5602081100 | HCFB/6-400/H | 885 | 100 | 0,4 | - | 51 | 2.980 | 9 | REB-1 | RMB-1,5 | - | - | E01 | 725,54 |
| 5602095400 | HCFB/6-450/H | 920 | 103 | 0,7 | - | 54 | 3.510 | 13 | REB-2,5 | RMB-1,5 | - | - | E01 | 909,83 |
| 5602145700 | HCFB/6-500/H | 920 | 224 | 1,0 | - | 57 | 6.030 | 16 | REB-2,5 | RMB-3,5 | - | - | E01 | 1.061,17 |
| 5602071300 | HCFB/6-560/H | 905 | 321 | 1,3 | - | 59 | 8.180 | 22 | REB-2,5 | RMB-3,5 | - | - | E01 | 1.212,96 |
| 5602072100 | HCFB/6-630/H | 915 | 469 | 2,0 | - | 62 | 11.000 | 25 | REB-5 | RMB-3,5 | - | - | E01 | 1.436,84 |
| TRIFÁSICOS 2 POLOS | | | | | | | | | | | | | | |
| 5602513600 | HCGT/2-315/L | 2630 | 461 | 1,4 | 0,8 | 68 | 3.790 | 7 | - | - | VFTM-Tri 0,37 | VFKB-45 | E01 | 595,69 |
| 5602514100 | HCGT/2-355/I | 2570 | 497 | 1,5 | 0,9 | 71 | 4.490 | 8 | - | - | VFTM-Tri 0,37 | VFKB-45 | E01 | 683,11 |
| TRIFÁSICOS 4 POLOS | | | | | | | | | | | | | | |
| 5603959700 | HCFT/4-250/H | 1365 | 73 | 0,3 | 0,2 | 49 | 1.110 | 5 | - | RMT-1,5 | VFTM-Tri 0,37 | VFKB-45 | E01 | 486,07 |
| 5602186800 | HCFT/4-315/H | 1340 | 124 | 0,5 | 0,3 | 55 | 2.170 | 7 | - | RMT-1,5 | VFTM-Tri 0,37 | VFKB-45 | E01 | 487,00 |
| 5602187700 | HCFT/4-355/H | 1385 | 171 | 0,9 | 0,5 | 59 | 3.550 | 8 | - | RMT-1,5 | VFTM-Tri 0,37 | VFKB-45 | E01 | 642,46 |
| 5602049900 | HCFT/4-400/H | 1370 | 250 | 1,0 | 0,6 | 62 | 4.790 | 9 | - | RMT-1,5 | VFTM-Tri 0,37 | VFKB-45 | E01 | 692,76 |
| 5602188400 | HCFT/4-450/H | 1380 | 449 | 1,4 | 0,8 | 65 | 6.640 | 13 | - | RMT-1,5 | VFTM-Tri 0,37 | VFKB-45 | E01 | 894,18 |
| 5602189400 | HCFT/4-500/H | 1460 | 767 | 3,5 | 2,0 | 68 | 9.750 | 16 | - | RMT-2,5 | VFTM-Tri 0,75 | VFKB-45 | E01 | 1.075,28 |
| 5602003500 | HCFT/4-560/H | 1390 | 1051 | 3,8 | 2,2 | 70 | 12.500 | 22 | - | RMT-2,5 | VFTM-Tri 0,75 | VFKB-45 | E01 | 1.244,22 |
| 5602091100 | HCFT/4-630/H | 1425 | 1582 | 5,0 | 2,9 | 73 | 17.900 | 25 | - | - | VFTM-Tri 1,1 | VFKB-45 | E01 | 1.437,88 |
| 5604973700 | HCFT/4-710/H | 1375 | 2413 | 7,4 | 4,3 | 74 | 22.140 | 27 | - | - | VFTM-Tri 2,2 | VFKB-45 | E01 | 1.530,40 |
| 5604262500 | HCFT/4-800/L-X-1,5 | 1420 | 2308 | 6,6 | 3,8 | 78 | 22.780 | 37 | - | - | VFTM-Tri 1,5 | VFKB-45 | E01 | 1.597,21 |
| 5604263300 | HCFT/4-800/H-X-3 | 1450 | 4344 | 12,5 | 7,2 | 84 | 33.410 | 52 | - | - | VFTM-Tri 4 | VFKB-48 | E01 | 1.905,71 |
| 5605717700 | HCFT/4-900/L-X-3 | 1460 | 3845 | 11,3 | 6,5 | 82 | 25.550 | 61 | - | - | VFTM-Tri 3 | VFKB-48 | E01 | 2.074,05 |
| 5605718500 | HCFT/4-900/H-X-5,5 | 1460 | 7090 | - | 12,3 | 87 | 45.550 | 95 | - | - | VFTM-Tri 5,5 | - | E01 | 2.654,76 |
| 5604268200 | HCFT/4-1000/L-X-3 | 1440 | 5098 | 14,2 | 8,2 | 86 | 38.800 | 67 | - | - | VFTM-Tri 3 | VFKB-48 | E01 | 2.256,25 |
| 5111936000 | HCFT/4-1000/H-X-7,5 | 1470 | 8228 | - | 13,7 | 93 | 53.000 | 100 | - | - | VFTM-Tri 7,5 | - | E01 | 2.896,94 |
| TRIFÁSICOS 6 POLOS | | | | | | | | | | | | | | |
| 5605757800 | HCFT/6-315/H | 1150 | 80 | 0,3 | 0,2 | 45 | 1.560 | 7 | - | RMT-1,5 | VFTM-Tri 0,37 | VFKB-45 | E01 | 463,97 |
| 5602946500 | HCFT/6-355/H | 925 | 83 | 0,3 | 0,2 | 48 | 2.260 | 8 | - | RMT-1,5 | VFTM-Tri 0,37 | VFKB-45 | E01 | 609,66 |
| 5602718800 | HCFT/6-400/H | 880 | 107 | 0,5 | 0,3 | 51 | 3.070 | 9 | - | RMT-1,5 | VFTM-Tri 0,37 | VFKB-45 | E01 | 681,07 |
| 5602458400 | HCFT/6-450/H | 910 | 146 | 0,5 | 0,3 | 54 | 4.440 | 13 | - | RMT-1,5 | VFTM-Tri 0,37 | VFKB-45 | E01 | 869,46 |
| 5602682700 | HCFT/6-500/H | 920 | 240 | 1,0 | 0,6 | 57 | 6.350 | 16 | - | RMT-1,5 | VFTM-Tri 0,37 | VFKB-45 | E01 | 999,59 |
| 5602693400 | HCFT/6-560/H | 925 | 337 | 1,2 | 0,7 | 59 | 8.320 | 22 | - | RMT-1,5 | VFTM-Tri 0,37 | VFKB-45 | E01 | 1.131,18 |
| 5602085200 | HCFT/6-630/H | 920 | 534 | 2,1 | 1,2 | 62 | 11.400 | 25 | - | RMT-1,5 | VFTM-Tri 0,37 | VFKB-45 | E01 | 1.300,63 |
| 5604974600 | HCFT/6-710/H | 955 | 888 | 4,5 | 2,6 | 65 | 16.260 | 27 | - | RMT-5 | VFTM-Tri 1,5 | VFKB-45 | E01 | 1.398,89 |
| 5604264300 | HCFT/6-800/L-X-0,55 | 940 | 1042 | 3,5 | 2,0 | 73 | 18.310 | 31 | - | - | VFTM-Tri 0,75 | VFKB-45 | E01 | 1.341,33 |
| 5604265800 | HCFT/6-800/H-X-0,75 | 945 | 1160 | 3,8 | 2,2 | 75 | 19.960 | 36 | - | - | VFTM-Tri 1,1 | VFKB-45 | E01 | 1.588,22 |
| 5605719300 | HCFT/6-900/L-X-1,1 | 965 | 1266 | 4,7 | 2,7 | 74 | 23.160 | 53 | - | - | VFTM-Tri 1,5 | VFKB-45 | E01 | 1.970,31 |
| 5605720100 | HCFT/6-900/H-X-1,5 | 955 | 2202 | 7,1 | 4,1 | 78 | 31.720 | 56 | - | - | VFTM-Tri 1,5 | VFKB-45 | E01 | 2.042,68 |
| 5604269000 | HCFT/6-1000/L-X-1,1 | 940 | 1749 | 5,7 | 3,3 | 79 | 28.970 | 54 | - | - | VFTM-Tri 1,5 | VFKB-45 | E01 | 2.049,52 |
| 5604271600 | HCFT/6-1000/H-X-1,5 | 945 | 2627 | 8,1 | 4,7 | 84 | 37.980 | 59 | - | - | VFTM-Tri 2,2 | VFKB-45 | E01 | 2.112,67 |

* Nivel de presión sonora, medida en campo libre, a una distancia equivalente a tres veces el diámetro de la hélice, con un mínimo de 1,5 metros.

** Alimentación de los reguladores trifásicos (RMT) o convertidores de frecuencia (VFKB/VFTM): trifásicos 400V.

Serie HCBB/HCBT - Hélice de ALUMINIO



HCBB/HCBT



Configuración constructiva modelos Ø800 a Ø1000

Ventiladores helicoidales murales con hélice de aluminio y motor monofásico (HCBB) o trifásico (HCBT), IP65 (1), Clase F (2), protector térmico incorporado (3) y caja de bornes, con condensador incorporado en los modelos monofásicos.

- (1) Modelos 800, 900 y 1000: IP55.
- (2) Temperatura de trabajo: de -40°C a +70°C, excepto los modelos 4-710 adecuados hasta +55°C y modelos Ø 800, 900 y 1000 de -20°C hasta +40°C.
- (3) Excepto modelos Ø 800 a 1000.

Motores

De 4 ó 6 polos, según versiones.
Regulables por tensión con autotransformador, excepto modelos 4-630, B/710, T/4-710, T/800, T/900 y T/1000.
Modelos trifásicos regulables por convertidor de frecuencia.

Tensión de alimentación
Monofásicos 230V-50Hz
Trifásicos 230/400V-50Hz ó 400V-50Hz
(Ver cuadro de características).

Otros datos

Sentido del aire Motor-Hélice (flujo A).
Modelos Ø 800 a 1000 con defensa de aspiración, bajo demanda.

HCBT versiones ATEX

Bajo pedido, versiones antiexplosivas según la Directiva ATEX para modelos trifásicos:

- Motores IP55, Clase F.
- ATEX Antideflagrantes - Gas
Para modelos del 800 al 1000:
⊕ II 2G Ex d IIB T4
⊕ II 2G Ex d IIB+H2 T4 (con motor Ex d IIC T4)
En versión ATEX estándar, los motores antideflagrantes se entregan sin protección térmica.
Para utilizar con convertidor de frecuencia pedir motores antideflagrantes con protector térmico tipo PTC.
- ATEX Seguridad aumentada - Gas
Excepto modelos HCBT/ 4-250, HCBT/ 6-355, HCBT/ 6-400.
Sí disponible HCBT/ 6-400 con motor 230/400V.
Sí disponible para modelos hasta HCBT-1000
⊕ II 2G Ex e II T3.
- ATEX - Polvo
Para modelos 800 a 1000 mm.
Partículas en suspensión inflamables y polvo no conductor:
⊕ II 3D Ex tc IIIB T125°C
Polvo conductor:
⊕ II 3D Ex tc IIIC T125°C (con motor IP65)
En versión ATEX estándar, los motores ATEX para polvo se entregan sin protección térmica.

Para utilizar con convertidor de frecuencia pedir motores ATEX para polvo con protector térmico tipo PTC.

Para trabajar a temperaturas de:

- 20°C a +55°C: modelos HCBT/4-315 a HCBT/4-710
modelos HCBT/6-450 a HCBT 6-710
- 20°C a +40°C: modelo HCBT/4-800 a 1000
modelo HCBT/6-800 a 1000

Para seleccionar modelos HCBT ATEX, ver el programa de selección de producto EASYVENT. Los datos eléctricos de los modelos ATEX pueden variar respecto a los datos indicados en las tablas características.
Consulte la disponibilidad de otras versiones de motores ATEX.



PROTECCIÓN

Aplicaciones específicas



Versiones

ACCESORIOS DE MONTAJE (Ver códigos y precios en Accesorios Generales)

| Modelo HCBB/HCBT | Defensas de protección | | Persianas de sobrepresión | |
|------------------|------------------------|-------------|---------------------------|-------------|
| | Descarga | Aspiración | Plástico | Aluminio |
| 250 | DEF-250 D | - | PER-250 W | PER-250 CR |
| 315 | DEF-325 D | - | PER-355 W | PER-355 CR |
| 355 | DEF-375 D | - | PER-355 W | PER-355 CR |
| 400 | DEF-450 D | - | PER-400 W | PER-400 CR |
| 450 | DEF-450 D | - | PER-450 W | PER-450 CR |
| 500 | DEF-525 D | - | PER-500 W | PER-500 CR |
| 560 | DEF-630 D | - | PER-560 W | PER-630 CR |
| 630 | DEF-630 D | - | PER-630 W | PER-630 CR |
| 710 | DEF-800 D | - | PER-710 W | PER-710 CR |
| 800 | DEF-800 D | DEF-800 AN | PER-800 W | PER-800 CR |
| 4-900/H | DEF-1000 D | DEF-900 AN | PER-1000 W | PER-1000 CR |
| 4/900/L | DEF-1000 D | DEF-901 AN | PER-1000 W | PER-1000 CR |
| /6-900 | DEF-1000 D | DEF-901 AN | PER-1000 W | PER-1000 CR |
| 1000 | DEF-1000 D | DEF-1000 AN | PER-1000 W | PER-1000 CR |
| /4-1000/H | DEF-1000 D | DEF-1001 AN | PER-1000 W | PER-1000 CR |

Es imprescindible comprobar que las características eléctricas (voltaje, intensidad, frecuencia, etc) del motor que aparecen en la placa del mismo son compatibles con las de la instalación.

| Código | Modelo | Velo- cidad (r.p.m.) | Potencia absorbida máxima (W) | Intensidad máxima (A) | | Nivel de presión sonora* (dB(A)) | Caudal máx. (m³/h) | Peso (kg) | Regulador de tensión opcional | | Convertidor de frecuencia opcional | | Grupo producto | Precio €/u. |
|----------------------------|---------------------|----------------------------|--|-----------------------------|---------|---|--------------------------|--------------|-------------------------------------|---------|--|---------|-------------------|-----------------|
| | | | | a 230 V | a 400 V | | | | REB | RMB/T** | VFTM** | VFKB** | | |
| MONOFÁSICOS 4 POLOS | | | | | | | | | | | | | | |
| 5603889600 | HCBB/4-250/H | 1325 | 84 | 0,4 | - | 49 | 1.130 | 5 | REB-1 | RMB-1,5 | - | - | E01 | 542,02 |
| 5603638200 | HCBB/4-315/H | 1235 | 124 | 0,7 | - | 55 | 2.220 | 7 | REB-1 | RMB-1,5 | - | - | E01 | 561,74 |
| 5603638900 | HCBB/4-355/H | 1385 | 193 | 0,9 | - | 59 | 3.590 | 8 | REB-2,5 | RMB-1,5 | - | - | E01 | 716,59 |
| 5603139100 | HCBB/4-400/H | 1360 | 315 | 1,5 | - | 62 | 4.830 | 9 | REB-2,5 | RMB-3,5 | - | - | E01 | 763,75 |
| 5603999400 | HCBB/4-450/H | 1410 | 626 | 2,8 | - | 65 | 7.180 | 13 | REB-5 | RMB-3,5 | - | - | E01 | 969,09 |
| 5603255000 | HCBB/4-500/H | 1370 | 762 | 3,3 | - | 68 | 8.850 | 16 | REB-5 | RMB-3,5 | - | - | E01 | 1.186,26 |
| 5603640400 | HCBB/4-560/H | 1390 | 1433 | 6,5 | - | 70 | 13.400 | 22 | REB-10 | RMB-8 | - | - | E01 | 1.378,86 |
| 5603641100 | HCBB/4-630/H | 1360 | 1879 | 8,3 | - | 71 | 16.720 | 25 | - | - | - | - | E01 | 1.601,02 |
| MONOFÁSICOS 6 POLOS | | | | | | | | | | | | | | |
| 5604289800 | HCBB/6-355/H | 900 | 84 | 0,4 | - | 48 | 2.230 | 8 | REB-1 | RMB-1,5 | - | - | E01 | 685,48 |
| 5603401000 | HCBB/6-400/H | 845 | 112 | 0,5 | - | 51 | 3.010 | 9 | REB-1 | RMB-1,5 | - | - | E01 | 754,51 |
| 5603403100 | HCBB/6-450/H | 935 | 191 | 0,8 | - | 54 | 4.400 | 13 | REB-2,5 | RMB-1,5 | - | - | E01 | 946,38 |
| 5603403800 | HCBB/6-500/H | 915 | 244 | 1,1 | - | 57 | 5.620 | 16 | REB-2,5 | RMB-3,5 | - | - | E01 | 1.103,48 |
| 5604365700 | HCBB/6-560/H | 930 | 449 | 1,9 | - | 59 | 8.950 | 22 | REB-2,5 | RMB-3,5 | - | - | E01 | 1.261,35 |
| 5604366400 | HCBB/6-630/H | 915 | 588 | 2,9 | - | 62 | 10.950 | 25 | REB-5 | RMB-3,5 | - | - | E01 | 1.494,28 |
| TRIFÁSICOS 4 POLOS | | | | | | | | | | | | | | |
| 5603957100 | HCBT/4-250/H | 1330 | 81 | 0,3 | 0,2 | 49 | 1.120 | 5 | - | RMT-1,5 | VFTM-Tri 0,37 | VFKB-45 | E01 | 505,52 |
| 5603643000 | HCBT/4-315/H | 1330 | 125 | 0,5 | 0,3 | 55 | 2.380 | 7 | - | RMT-1,5 | VFTM-Tri 0,37 | VFKB-45 | E01 | 506,55 |
| 5603643900 | HCBT/4-355/H | 1380 | 181 | 0,8 | 0,5 | 59 | 3.530 | 8 | - | RMT-1,5 | VFTM-Tri 0,37 | VFKB-45 | E01 | 668,09 |
| 5603546300 | HCBT/4-400/H | 1340 | 283 | 1,2 | 0,7 | 62 | 5.020 | 9 | - | RMT-1,5 | VFTM-Tri 0,37 | VFKB-45 | E01 | 720,58 |
| 5603557900 | HCBT/4-450/H | 1350 | 547 | 1,7 | 1,0 | 65 | 6.800 | 13 | - | RMT-1,5 | VFTM-Tri 0,37 | VFKB-45 | E01 | 930,01 |
| 5603053900 | HCBT/4-500/H | 1390 | 809 | 2,7 | 1,6 | 68 | 9.140 | 16 | - | RMT-2,5 | VFTM-Tri 0,55 | VFKB-45 | E01 | 1.118,35 |
| 5603644500 | HCBT/4-560/H | 1390 | 1287 | 4,0 | 2,3 | 70 | 12.950 | 22 | - | RMT-2,5 | VFTM-Tri 0,75 | VFKB-45 | E01 | 1.294,26 |
| 5603645200 | HCBT/4-630/H | 1385 | 1736 | 5,4 | 3,1 | 73 | 16.840 | 25 | - | - | VFTM-Tri 1,1 | VFKB-45 | E01 | 1.481,12 |
| 5603913400 | HCBT/4-710/H | 1350 | 2554 | 7,6 | 4,4 | 74 | 22.400 | 27 | - | - | VFTM-Tri 2,2 | VFKB-48 | E01 | 1.576,35 |
| 5604383900 | HCBT/4-800/L-X-1,5 | 1410 | 2632 | 7,3 | 4,2 | 78 | 23.290 | 37 | - | - | VFTM-Tri 1,5 | VFKB-45 | E01 | 1.637,01 |
| 5604385400 | HCBT/4-800/H-X-3 | 1440 | 4595 | 12,8 | 7,4 | 84 | 33.100 | 52 | - | - | VFTM-Tri 4 | VFKB-48 | E01 | 1.953,38 |
| 5605723500 | HCBT/4-900/L-X-3 | 1450 | 3909 | 12,0 | 6,9 | 82 | 34.270 | 62 | - | - | VFTM-Tri 3 | VFKB-48 | E01 | 2.138,20 |
| 5605572600 | HCBT/4-900/H-X-5,5 | 1455 | 7893 | - | 13,4 | 87 | 46.270 | 96 | - | - | VFTM-Tri 5,5 | - | E01 | 2.736,88 |
| 5604377100 | HCBT/4-1000/L-X-3 | 1415 | 5048 | 14,2 | 8,2 | 86 | 39.910 | 67 | - | - | VFTM-Tri 3 | VFKB-48 | E01 | 2.312,65 |
| 5111935200 | HCBT/4-1000/H-X-7,5 | 1470 | 8675 | - | 14,6 | 93 | 53.700 | 101 | - | - | VFTM-Tri 7,5 | - | E01 | 2.961,94 |
| TRIFÁSICOS 6 POLOS | | | | | | | | | | | | | | |
| 5604978600 | HCBT/6-355/H | 900 | 91 | 0,3 | 0,2 | 48 | 2.270 | 8 | - | RMT-1,5 | VFTM-Tri 0,37 | VFKB-45 | E01 | 633,92 |
| 5604979400 | HCBT/6-400/H | 840 | 120 | 0,5 | 0,3 | 51 | 3.050 | 9 | - | RMT-1,5 | VFTM-Tri 0,37 | VFKB-45 | E01 | 708,28 |
| 5603654600 | HCBT/6-450/H | 925 | 198 | 0,9 | 0,5 | 54 | 4.620 | 13 | - | RMT-1,5 | VFTM-Tri 0,37 | VFKB-45 | E01 | 904,37 |
| 5604941600 | HCBT/6-500/H | 905 | 282 | 1,1 | 0,6 | 57 | 6.190 | 16 | - | RMT-1,5 | VFTM-Tri 0,37 | VFKB-45 | E01 | 1.039,30 |
| 5603747700 | HCBT/6-560/H | 895 | 401 | 1,4 | 0,8 | 59 | 8.650 | 22 | - | RMT-1,5 | VFTM-Tri 0,37 | VFKB-45 | E01 | 1.176,56 |
| 5604942200 | HCBT/6-630/H | 910 | 596 | 2,3 | 1,3 | 62 | 10.950 | 25 | - | RMT-1,5 | VFTM-Tri 0,37 | VFKB-45 | E01 | 1.352,63 |
| 5603914200 | HCBT/6-710/H | 950 | 953 | 4,7 | 2,7 | 65 | 15.350 | 27 | - | RMT-5 | VFTM-Tri 1,5 | VFKB-45 | E01 | 1.440,78 |
| 5604390500 | HCBT/6-800/L-X-0,55 | 940 | 1025 | 3,3 | 1,9 | 73 | 17.600 | 31 | - | - | VFTM-Tri 0,75 | VFKB-45 | E01 | 1.374,92 |
| 5604386200 | HCBT/6-800/H-X-0,75 | 935 | 1309 | 4,2 | 2,4 | 75 | 20.630 | 36 | - | - | VFTM-Tri 1,1 | VFKB-45 | E01 | 1.627,94 |
| 5605724300 | HCBT/6-900/L-X-1,1 | 960 | 1341 | 4,8 | 2,8 | 74 | 23.700 | 54 | - | - | VFTM-Tri 1,5 | VFKB-45 | E01 | 1.982,65 |
| 5605725000 | HCBT/6-900/H-X-1,5 | 955 | 2289 | 7,3 | 4,2 | 78 | 32.300 | 57 | - | - | VFTM-Tri 1,5 | VFKB-45 | E01 | 2.105,83 |
| 5604249200 | HCBT/6-1000/L-X-1,1 | 940 | 1855 | 5,9 | 3,4 | 79 | 28.810 | 56 | - | - | VFTM-Tri 1,5 | VFKB-45 | E01 | 2.100,81 |
| 5604248400 | HCBT/6-1000/H-X-1,5 | 940 | 2392 | 7,7 | 4,4 | 83 | 34.300 | 60 | - | - | VFTM-Tri 2,2 | VFKB-45 | E01 | 2.165,57 |

* Nivel de presión sonora, medida en campo libre, a una distancia equivalente a tres veces el diámetro de la hélice, con un mínimo de 1,5 metros.

** Alimentación de los reguladores trifásicos (RMT) o convertidores de frecuencia (VFKB/VFTM): trifásicos 400V.

EXTRACTORES HELICOIDALES DE APLICACIÓN AGROPECUARIA

Serie HCBB/HCBT GRANJAS



Ventiladores helicoidales murales para aplicaciones agropecuarias. motor monofásico (HCFB) o trifásico (HCFT), IP65, Clase F, protector térmico accesible en la caja de bornes con condensador incorporado en los modelos monofásicos.
Hélices de inyección de aluminio (HCBT y HCBB) hasta los modelos 400.
Hélices de material termoplástico + fibra de vidrio, con cubo de aluminio (HCFT y HCFB), para modelos superiores a 400.
Embocadura en material termoplástico para los modelos 450 y 500. Partes metálicas con tratamiento anticorrosivo y protegidas por pintura poliéster.

Motores

De 4 ó 6 polos, según versiones
Regulables, excepto modelos /4-630.
Tensión de alimentación
Monofásicos 230V-50Hz (modelos HCBB y HCFB)
Trifásicos 230/400V-50Hz ó 400V-50Hz (modelos HCBB y HCFB)

Otros datos

Sentido del aire Motor-Hélice (flujo A).
Hélice-Motor (flujo B), bajo demanda.

Aplicaciones específicas



Instalaciones agropecuarias



PROTECCIÓN

Es imprescindible comprobar que las características eléctricas (voltaje, intensidad, frecuencia, etc) del motor que aparecen en la placa del mismo son compatibles con las de la instalación.

| Código | Modelo | Velocidad (r.p.m.) | Potencia absorbida máxima (W) | Intensidad máxima (A) | | Nivel de presión sonora (dB(A)) | Caudal máximo (m³/h) | Peso (kg) | Grupo producto | Precio €/u. |
|---------------------|----------------|--------------------|-------------------------------|-----------------------|---------|---------------------------------|----------------------|-----------|----------------|-----------------|
| | | | | a 230 V | a 400 V | | | | | |
| MONOFÁSICOS 4 POLOS | | | | | | | | | | |
| 5604058700 | HCBB/4-315/H-G | 1295 | 140 | 0,7 | - | 55 | 2.310 | 7 | E01 | 513,20 |
| 5604059600 | HCBB/4-355/H-G | 1385 | 193 | 0,9 | - | 59 | 3.560 | 8 | E01 | 655,19 |
| 5604060400 | HCBB/4-400/H-G | 1420 | 271 | 1,2 | - | 62 | 4.920 | 9 | E01 | 698,36 |
| 5604296500 | HCFB/4-450/H-G | 1410 | 626 | 2,8 | - | 65 | 7.180 | 13 | E01 | 822,15 |
| 5604296600 | HCFB/4-500/H-G | 1365 | 787 | 3,4 | - | 68 | 8.810 | 16 | E01 | 1.006,26 |
| 5604296700 | HCFB/4-560/H-G | 1370 | 1266 | 5,7 | - | 70 | 12.580 | 22 | E01 | 1.169,45 |
| 5604296800 | HCFB/4-630/H-G | 1360 | 1879 | 8,3 | - | 71 | 16.550 | 25 | E01 | 1.472,61 |
| TRIFÁSICOS 4 POLOS | | | | | | | | | | |
| 5604065200 | HCBT/4-315/H-G | 1320 | 162 | 0,7 | 0,4 | 55 | 2.370 | 7 | E01 | 462,99 |
| 5604066200 | HCBT/4-355/H-G | 1370 | 182 | 0,8 | 0,5 | 59 | 3.480 | 8 | E01 | 611,05 |
| 5604067900 | HCBT/4-400/H-G | 1320 | 288 | 1,1 | 0,6 | 62 | 4.880 | 9 | E01 | 658,65 |
| 5604297200 | HCFT/4-450/H-G | 1350 | 511 | 1,6 | 0,9 | 65 | 6.310 | 13 | E01 | 788,92 |
| 5604297300 | HCFT/4-500/H-G | 1390 | 809 | 2,7 | 1,6 | 68 | 9.030 | 16 | E01 | 948,77 |
| 5604297400 | HCFT/4-560/H-G | 1390 | 1287 | 4,0 | 2,3 | 70 | 12.760 | 22 | E01 | 1.183,28 |

Serie HXM



Configuración modelo HXM-400

Ventiladores helicoidales murales fabricados con marco de acero galvanizado y hélices de aluminio (modelos 200 a 350) o de chapa de acero (modelo 400). Marcos y hélices están protegidos con pintura poliéster anticorrosiva.

Motor

Modelos HXM-200 a HXM-350:
Motor monofásico 220/240V-50/60Hz, IP44, Clase B, regulable por variación de tensión, con protector térmico, rodamientos a bolas y cable de conexión de 50 cm.

Modelo HXM-400:

Motor monofásico 230V-50/60Hz, de rotor exterior, IP54, Clase F, con protector térmico de rearme automático, rodamientos a bolas y caja de bornes con condensador incorporado.

Sin cable de conexión incorporado.

Otros datos

Sentido del aire Motor-Hélice (flujo A).



Es imprescindible comprobar que las características eléctricas (voltaje, intensidad, frecuencia, etc) del motor que aparecen en la placa del mismo son compatibles con las de la instalación.

| Código | Modelo | Velocidad (r.p.m.) | Potencia absorbida máxima (W) | Intensidad absorbida máxima (A) | Nivel de presión sonora * (dB(A)) | Caudal máximo (m³/h) | Temperatura de trabajo (°C) | Peso (Kg) | Regulador de tensión opcional | | Grupo producto | Precio €/u. |
|------------|---------|--------------------|-------------------------------|---------------------------------|-----------------------------------|----------------------|-----------------------------|-----------|-------------------------------|---------|----------------|-------------|
| | | | | | | | | | REB | RMB | | |
| 5110001400 | HXM-200 | 1350 | 19 | 0,1 | 39 | 470 | -15/+40 | 1,8 | REB-1N | RMB-1,5 | E01 | 196,89 |
| 5110002200 | HXM-250 | 1380 | 30 | 0,1 | 48 | 810 | -15/+40 | 2,4 | REB-1N | RMB-1,5 | E01 | 238,39 |
| 5110006300 | HXM-300 | 1360 | 41 | 0,2 | 48 | 1.180 | -15/+40 | 3,2 | REB-1N | RMB-1,5 | E01 | 280,71 |
| 5110005500 | HXM-350 | 1340 | 52 | 0,2 | 51 | 1.680 | -15/+40 | 4,3 | REB-1N | RMB-1,5 | E01 | 381,58 |
| 5110981200 | HXM-400 | 1255 | 151 | 0,7 | 56 | 3.670 | -40/+60 | 9,0 | REB-1N | RMB-1,5 | E01 | 577,29 |

* Nivel de presión sonora medido en campo libre a 1,5 m.

ACCESORIOS DE MONTAJE (Ver códigos y precios en Accesorios Generales)

| Modelo | Persianas de sobrepresión | |
|---------|---------------------------|--------------|
| | Plástico | Aluminio |
| HXM-200 | PER - 200 W | PER - 250 CR |
| HXM-250 | PER - 250 W | PER - 250 CR |
| HXM-300 | PER - 355 W | PER - 355 CR |
| HXM-350 | PER - 355 W | PER - 355 CR |
| HXM-400 | PER - 400 W | PER - 400 CR |

Serie HXBR/HXTR



Ventiladores helicoidales murales con hélice "Sickle" equilibrada en dos planos, de bajo nivel sonoro, protegidos contra la corrosión mediante tratamiento por cataforesis y pintados con poliéster (1), motor de rotor exterior monofásico (HXBR) o trifásico (HXTR), IP44 (modelos 250 a 355) ó IP54 (modelos 400 a 800), Clase F, con protector térmico incorporado y caja de bornes con condensador incorporado en los modelos monofásicos.

(1) Modelo 800: motor-hélice sin pintar.



Motores

De 2, 4, 6, 8 ó 12 polos, según versiones.

Tensión de alimentación

Monofásicos 230V-50Hz

Trifásicos 400V-50Hz

230/400V-50Hz (modelos 250)

Modelos trifásicos con motores regulables por variación de frecuencia.

[Ver cuadro de características].

Otros datos

Sentido del aire Motor-Hélice (flujo A).

Bajo demanda, modelos trifásicos

230/400V-50Hz.

Es imprescindible comprobar que las características eléctricas (voltaje, intensidad, frecuencia, etc) del motor que aparecen en la placa del mismo son compatibles con las de la instalación.

| Código | Modelo | Vel. (r.p.m.) | Tensión | Potencia abs. máx. (W) | Intensidad máxima (A) | | Nivel de presión sonora (dB(A)) | Caudal máx. (m³/h) | Temperatura de trabajo (°C) | Peso (kg) | Regulador de tensión opcional | | Convertidor de frecuencia opcional | | Grupo producto | Precio €/u. |
|---------------------|---------------|---------------|---------------|------------------------|-----------------------|---------|---------------------------------|--------------------|-----------------------------|-----------|-------------------------------|---------|------------------------------------|---------|----------------|-------------|
| | | | | | a 230 V | a 400 V | | | | | REB | RMB/T | VFTM | VFKB | | |
| MONOFÁSICOS 2 POLOS | | | | | | | | | | | | | | | | |
| 5755100200 | HXBR/2-200-A | 2780 | 230V 50Hz | 80 | 0,4 | - | 56 | 810 | -40/+60 | 4 | REB-1 | RMB-1,5 | - | - | E01 | 360,46 |
| 5750250200 | HXBR/2-250-A | 2800 | 230V 50Hz | 112 | 0,5 | - | 61 | 1.560 | -40/+60 | 7 | REB-1 | RMB-1,5 | - | - | E01 | 382,24 |
| MONOFÁSICOS 4 POLOS | | | | | | | | | | | | | | | | |
| 5750251000 | HXBR/4-250-A | 1440 | 230V 50Hz | 42 | 0,2 | - | 47 | 760 | -40/+60 | 6,5 | REB-1 | RMB-1,5 | - | - | E01 | 335,28 |
| 5750252800 | HXBR/4-315-A | 1445 | 230V 50Hz | 112 | 0,6 | - | 53 | 1.950 | -40/+40 | 7 | REB-1 | RMB-1,5 | - | - | E01 | 389,99 |
| 5750256900 | HXBR/4-355-A | 1400 | 230V 50Hz | 145 | 0,7 | - | 59 | 2.870 | -40/+60 | 7,5 | REB-1 | RMB-1,5 | - | - | E01 | 495,77 |
| 5740039300 | HXBR/4-400-A | 1395 | 230V 50Hz | 268 | 1,2 | - | 61 | 5.080 | -40/+65 | 9 | REB-2,5 | RMB-1,5 | - | - | E01 | 585,71 |
| 5740042600 | HXBR/4-450-A | 1395 | 230V 50Hz | 457 | 2 | - | 64 | 7.040 | -40/+50 | 11,5 | REB-2,5 | RMB-3,5 | - | - | E01 | 726,10 |
| 5700381700 | HXBR/4-500-A | 1425 | 230V 50Hz | 867 | 3,6 | - | 67 | 8.770 | -40/+70 | 16 | REB-5 | RMB-3,5 | - | - | E01 | 861,08 |
| 5700597300 | HXBR/4-560-A | 1420 | 230V 50Hz | 1084 | 4,6 | - | 69 | 11.210 | -40/+45 | 21,5 | REB-5 | RMB-5 | - | - | E01 | 1.072,30 |
| 5700390800 | HXBR/4-630-A | 1455 | 230V 50Hz | 1252 | 5,5 | - | 67 | 14.010 | -40/+40 | 24 | - | - | - | - | E01 | 1.243,65 |
| MONOFÁSICOS 6 POLOS | | | | | | | | | | | | | | | | |
| 5740052500 | HXBR/6-400-A | 935 | 230V 50Hz | 124 | 0,6 | - | 49 | 3.300 | -40/+50 | 9 | REB-1 | RMB-1,5 | - | - | E01 | 578,65 |
| 5740122300 | HXBR/6-450-A | 935 | 230V 50Hz | 138 | 0,6 | - | 53 | 4.370 | -40/+70 | 11,5 | REB-1 | RMB-1,5 | - | - | E01 | 698,34 |
| 5700383300 | HXBR/6-500-A | 925 | 230V 50Hz | 228 | 1,1 | - | 57 | 5.560 | -40/+70 | 16 | REB-2,5 | RMB-3,5 | - | - | E01 | 805,33 |
| 5700387400 | HXBR/6-560-A | 930 | 230V 50Hz | 331 | 1,6 | - | 60 | 7.500 | -40/+65 | 21,5 | REB-2,5 | RMB-3,5 | - | - | E01 | 968,54 |
| 5700590900 | HXBR/6-630-A | 915 | 230V 50Hz | 587 | 2,6 | - | 61 | 11.380 | -40/+40 | 24 | REB-5 | RMB-3,5 | - | - | E01 | 1.123,88 |
| TRIFÁSICOS 2 POLOS | | | | | | | | | | | | | | | | |
| 5750254400 | HXTR/2-250-A | 2800 | 230/400V 50Hz | 112 | 0,7 | 0,4 | 61 | 1.530 | -40/+60 | 7 | - | - | Tri 0,37 | VFKB-45 | E01 | 345,79 |
| TRIFÁSICOS 4 POLOS | | | | | | | | | | | | | | | | |
| 5750253600 | HXTR/4-250-A | 1475 | 230/400V 50Hz | 47 | 0,4 | 0,2 | 47 | 770 | -40/+60 | 6,5 | - | RMT-1,5 | Tri 0,37 | VFKB-45 | E01 | 302,08 |
| 5750255100 | HXTR/4-315-A | 1450 | 400V 50Hz | 98 | - | 0,3 | 53 | 2.020 | -40/+70 | 7 | - | RMT-1,5 | Tri 0,37 | VFKB-45 | E01 | 356,80 |
| 5750257700 | HXTR/4-355-A | 1410 | 400V 50Hz | 145 | - | 0,4 | 59 | 2.890 | -40/+70 | 7,5 | - | RMT-1,5 | Tri 0,37 | VFKB-45 | E01 | 475,25 |
| 5740038600 | HXTR/4-400-A | 1400 | 400V 50Hz | 236 | - | 0,5 | 61 | 4.620 | -40/+60 | 9 | - | RMT-1,5 | Tri 0,37 | VFKB-45 | E01 | 553,36 |
| 5740051700 | HXTR/4-450-A | 1420 | 400V 50Hz | 450 | - | 0,9 | 64 | 6.910 | -40/+60 | 11,5 | - | RMT-1,5 | Tri 0,37 | VFKB-45 | E01 | 692,72 |
| 5700384200 | HXTR/4-500-A | 1410 | 400V 50Hz | 891 | - | 1,7 | 67 | 9.550 | -40/+70 | 16 | - | RMT-2,5 | Tri 0,55 | VFKB-45 | E01 | 812,16 |
| 5700388300 | HXTR/4-560-A | 1410 | 400V 50Hz | 1201 | - | 2,4 | 69 | 12.040 | -40/+70 | 21,5 | - | - | Tri 0,75 | VFKB-45 | E01 | 979,67 |
| 5700392300 | HXTR/4-630-A | 1420 | 400V 50Hz | 1066 | - | 2,2 | 67 | 13.720 | -40/+60 | 24 | - | - | Tri 0,75 | VFKB-45 | E01 | 1.145,34 |
| TRIFÁSICOS 6 POLOS | | | | | | | | | | | | | | | | |
| 5740054100 | HXTR/6-400-A | 875 | 400V 50Hz | 123 | - | 0,5 | 52 | 3.610 | -40/+70 | 9 | - | RMT-1,5 | Tri 0,37 | VFKB-45 | E01 | 535,94 |
| 5740121900 | HXTR/6-450-A | 930 | 400V 50Hz | 143 | - | 0,3 | 53 | 4.360 | -40/+60 | 11,5 | - | RMT-1,5 | Tri 0,37 | VFKB-45 | E01 | 664,91 |
| 5700385900 | HXTR/6-500-A | 925 | 400V 50Hz | 222 | - | 0,4 | 57 | 5.720 | -40/+70 | 16 | - | RMT-1,5 | Tri 0,37 | VFKB-45 | E01 | 755,80 |
| 5700390000 | HXTR/6-560-A | 950 | 400V 50Hz | 405 | - | 0,9 | 60 | 8.220 | -40/+70 | 21,5 | - | RMT-1,5 | Tri 0,37 | VFKB-45 | E01 | 862,60 |
| 5700597400 | HXTR/6-630-A | 895 | 400V 50Hz | 607 | - | 1,1 | 61 | 11.070 | -40/+60 | 24 | - | RMT-1,5 | Tri 0,37 | VFKB-45 | E01 | 1.047,05 |
| 5700395600 | HXTR/6-710-A | 930 | 400V 50Hz | 1019 | - | 2,2 | 62 | 16.110 | -40/+40 | 27 | - | - | Tri 0,75 | VFKB-45 | E01 | 1.250,62 |
| 5720010700 | HXTR/6-800-A | 920 | 400V 50Hz | 1909 | - | 3,8 | 63 | 24.380 | -40/+50 | 46 | - | - | Tri 1,5 | VFKB-45 | E01 | 1.486,44 |
| TRIFÁSICOS 8 POLOS | | | | | | | | | | | | | | | | |
| 5720011500 | HXTR/8-800-A | 655 | 400V 50Hz | 802 | - | 1,5 | 55 | 17.510 | -40/+70 | 45 | - | RMT-2,5 | Tri 0,37 | VFKB-45 | E01 | 1.435,24 |
| TRIFÁSICOS 12 POLOS | | | | | | | | | | | | | | | | |
| 5720012300 | HXTR/12-800-A | 455 | 400V 50Hz | 294 | - | 0,7 | 48 | 11.790 | -40/+70 | 43 | - | - | Tri 0,37 | VFKB-45 | E01 | 1.369,18 |

Nivel de presión sonora, medida en campo libre, a una distancia equivalente a tres veces el diámetro de la hélice, con un mínimo de 1,5 metros.

Serie HXBR ECOWATT



Ventiladores helicoidales murales con hélice de plástico equilibrada dinámicamente, de bajo nivel sonoro, protegidos contra la corrosión mediante pintura poliéster.



Motores

Motor brushless de corriente continua, de alto rendimiento y bajo consumo, alimentación 230V±10% 50/60Hz, IP44, rodamientos a bolas y protector térmico incorporado.
Velocidad regulable 100% mediante potenciómetro ubicado en la caja de bornes o mediante control externo tipo REB-ECOWATT. Entrada analógica para controlar el ventilador con una señal externa 0-10V.

Otros datos

Sentido del aire Motor-Hélice (flujo A).
Temperatura de trabajo: de -20°C a +50°C.

Es imprescindible comprobar que las características eléctricas (voltaje, intensidad, frecuencia, etc) del motor que aparecen en la placa del mismo son compatibles con las de la instalación.

| Código | Modelo | Tensión de control (V) | Velocidad (r.p.m.) | Potencia absorbida máxima (W) | Intensidad absorbida máxima (A) | Caudal máximo (m³/h) | Nivel de presión sonora (dB(A) a 1,5 m) | Peso (kg) | Grupo producto | Precio €/u. |
|------------|------------------|------------------------|--------------------|-------------------------------|---------------------------------|----------------------|---|-----------|----------------|-------------|
| 5750399800 | HXBR-200 ECOWATT | 10 | 2799 | 103 | 0,7 | 1.337 | 57 | 4 | E01 | 504,66 |
| | | 8 | 2681 | 91 | 0,7 | 1.294 | 56 | | | |
| | | 6 | 2109 | 46 | 0,3 | 1.025 | 50 | | | |
| | | 4 | 1527 | 19 | 0,2 | 706 | 43 | | | |
| 5750399900 | HXBR-250 ECOWATT | 10 | 2272 | 118 | 0,8 | 2.071 | 60 | 4,5 | E01 | 516,30 |
| | | 8 | 1912 | 70 | 0,5 | 1.708 | 56 | | | |
| | | 6 | 1521 | 37 | 0,3 | 1.360 | 51 | | | |
| | | 4 | 1141 | 17 | 0,1 | 1.013 | 45 | | | |
| 5750400000 | HXBR-300 ECOWATT | 10 | 1749 | 164 | 1,1 | 2.836 | 57 | 6 | E01 | 571,11 |
| | | 8 | 1607 | 128 | 0,9 | 2.622 | 55 | | | |
| | | 6 | 1324 | 74 | 0,5 | 2.157 | 49 | | | |
| | | 4 | 1041 | 39 | 0,3 | 1.671 | 43 | | | |
| 5750400100 | HXBR-315 ECOWATT | 10 | 1674 | 167 | 1,1 | 3.014 | 57 | 6 | E01 | 585,01 |
| | | 8 | 1504 | 121 | 0,8 | 2.695 | 55 | | | |
| | | 6 | 1192 | 63 | 0,4 | 2.160 | 50 | | | |
| | | 4 | 884 | 29 | 0,2 | 1.589 | 42 | | | |
| 5750400200 | HXBR-355 ECOWATT | 10 | 1549 | 184 | 1,2 | 3.640 | 60 | 8 | E01 | 694,06 |
| | | 8 | 1422 | 141 | 0,9 | 3.328 | 58 | | | |
| | | 6 | 1195 | 84 | 0,6 | 2.786 | 54 | | | |
| | | 4 | 960 | 46 | 0,3 | 2.231 | 49 | | | |
| 5750400300 | HXBR-400 ECOWATT | 10 | 1449 | 375 | 1,6 | 5.728 | 61 | 8,5 | E01 | 820,02 |
| | | 8 | 1271 | 256 | 1,1 | 5.023 | 58 | | | |
| | | 6 | 1034 | 144 | 0,6 | 4.138 | 53 | | | |
| | | 4 | 784 | 70 | 0,3 | 3.097 | 48 | | | |
| 5750400400 | HXBR-450 ECOWATT | 10 | 1249 | 352 | 1,5 | 6.442 | 61 | 9 | E01 | 1.016,51 |
| | | 8 | 1119 | 254 | 1,1 | 5.781 | 58 | | | |
| | | 6 | 920 | 146 | 0,6 | 4.740 | 53 | | | |
| | | 4 | 724 | 77 | 0,4 | 3.761 | 48 | | | |

ACCESORIOS DE MONTAJE SERIES HXBR/HXTR Y HXBR ECOWATT (Ver códigos y precios en Accesorios Generales)



| Modelo | Defensas de protección | Persianas de sobrepresión | |
|--------|------------------------|---------------------------|------------|
| | | Plástico | Aluminio |
| 200 | DEF-250 D | PER-200 W | PER-250 CR |
| 250 | DEF-250 D | PER-250 W | PER-250 CR |
| 300 | DEF-325 D | PER-355 W | PER-250 CR |
| 315 | DEF-325 D | PER-355 W | PER-355 CR |
| 355 | DEF-375 D | PER-355 W | PER-355 CR |
| 400 | DEF-450 D | PER-400 W | PER-400 CR |
| 450 | DEF-450 D | PER-450 W | PER-450 CR |
| 500 | DEF-525 D | PER-500 W | PER-500 CR |
| 560 | DEF-630 D | PER-560 W | PER-630 CR |
| 630 | DEF-630 D | PER-630 W | PER-630 CR |
| 710 | DEF-800 D | PER-710 W | PER-710 CR |
| 800 | DEF-800 D | PER-800 W | PER-800 CR |

Serie TCT



Ventiladores axiales murales, con embocadura circular, soporte motor de acero con tratamiento anticorrosivo y pintura epoxy, hélice de inyección de aluminio de 6 palas, motor trifásico en acoplamiento directo, IP55, Clase F.

Motores

De 4 ó 6 polos, según versiones.
De alta eficiencia IE3*, tensión de alimentación trifásica 230/400V-50Hz, hasta 3 kW y 400V-50Hz, para potencias superiores.
* A partir de 0,75 kW el motor tiene que ir con convertidor de frecuencia o con motor IE3.

Otros datos

Sentido del aire Motor-Hélice (flujo A).
Bajo demanda:
Hélice reversible.
Fabricación en diferentes materiales constructivos.
Camisa INOX-304 ó 316.
Versiones de 60 Hz.
Hélice-Motor (flujo B)
Motor de 2 velocidades.
Motores monofásicos (4 y 6 polos hasta 2,2 KW).
Motores IE3 de alta eficiencia.
Motor PTC.

Versiones "ATEX"

Bajo pedido, versiones antiexplosivas según la Directiva ATEX para modelos trifásicos:
Para trabajar a temperaturas de -20°C a +40°C.
- ATEX Antideflagrantes - Gas
⊕ II 2G Ex d IIB T4
⊕ II 2G Ex d IIB+H2 T4 (con motor Ex d IIC T4)
En versión ATEX estándar, los motores antideflagrantes se entregan sin protección térmica.
Para utilizar con convertidor de frecuencia pedir motores antideflagrantes con protector térmico tipo PTC.
- ATEX Seguridad aumentada - Gas
⊕ II 2G Ex e II T3
- ATEX - Polvo
Partículas en suspensión inflamables y polvo no conductor:
⊕ II 3D Ex tc IIIB T125°C
Polvo conductor:
⊕ II 3D Ex tc IIIC T125°C (con motor IP65)
En versión ATEX estándar, los motores ATEX para polvo se entregan sin protección térmica.
Para utilizar con convertidor de frecuencia pedir motores ATEX para polvo con protector térmico tipo PTC.
Para seleccionar modelos TCT ATEX, ver el programa de selección de producto EASYVENT.
Los datos eléctricos de los modelos ATEX pueden variar respecto a los datos indicados en las tablas características. Consulte la disponibilidad de otras versiones de motores ATEX.

Aplicaciones específicas



Versiones



Es imprescindible comprobar que las características eléctricas (voltaje, intensidad, frecuencia, etc) del motor que aparecen en la placa del mismo son compatibles con las de la instalación.

| Código | Modelo | Velocidad (r.p.m.) | Potencia motor (kW) | Intensidad nominal motor (A) | Caudal máximo (m³/h) | Peso (Kg) | Regulador | Grupo producto | Precio €/u. |
|------------|-----------------------|--------------------|---------------------|------------------------------|----------------------|-----------|---------------|----------------|-------------|
| 4 POLOS | | | | | | | | | |
| 5151045700 | TCT/4-450-6/30-A-0,37 | 1412 | 0,37 | 1,1 | 6.150 | 19 | VFTM TRI 0,37 | E01 | 693,26 |
| 5151045800 | TCT/4-500-6/26-A-0,55 | 1432 | 0,55 | 1,3 | 8.110 | 25 | VFTM TRI 0,55 | E01 | 801,08 |
| 5151045900 | TCT/4-560-6/20-A-0,75 | 1435 | 0,75 | 1,6 | 9.940 | 28 | VFTM TRI 0,75 | E01 | 909,78 |
| 5151046000 | TCT/4-560-6/28-A-1,1 | 1438 | 1,1 | 2,4 | 12.870 | 30 | VFTM TRI 1,1 | E01 | 986,54 |
| 5151046100 | TCT/4-560-6/36-A-1,5 | 1423 | 1,5 | 3,3 | 15.500 | 31 | VFTM TRI 1,5 | E01 | 1.013,81 |
| 5151046200 | TCT/4-630-6/18-A-1,1 | 1446 | 1,1 | 2,4 | 13.600 | 34 | VFTM TRI 1,1 | E01 | 1.055,99 |
| 5151046300 | TCT/4-630-6/24-A-1,5 | 1433 | 1,5 | 3,3 | 16.330 | 35 | VFTM TRI 1,5 | E01 | 1.083,91 |
| 5151046400 | TCT/4-630-6/30-A-2,2 | 1448 | 2,2 | 4,6 | 20.090 | 39 | VFTM TRI 2,2 | E01 | 1.177,35 |
| 5151046500 | TCT/4-630-6/36-A-3 | 1458 | 3 | 6,2 | 23.640 | 42 | VFTM TRI 3 | E01 | 1.255,23 |
| 5151046600 | TCT/4-710-6/16-A-1,5 | 1426 | 1,5 | 3,3 | 18.570 | 37 | VFTM TRI 1,5 | E01 | 1.258,31 |
| 5151046700 | TCT/4-710-6/20-A-2,2 | 1444 | 2,2 | 4,6 | 22.270 | 41 | VFTM TRI 2,2 | E01 | 1.352,08 |
| 5151046800 | TCT/4-710-6/28-A-3 | 1445 | 3 | 6,2 | 27.380 | 44 | VFTM TRI 3 | E01 | 1.430,55 |
| 5151046900 | TCT/4-800-6/12-A-2,2 | 1448 | 2,2 | 4,6 | 23.430 | 47 | VFTM TRI 2,2 | E01 | 1.465,85 |
| 5151047000 | TCT/4-800-6/18-A-3 | 1446 | 3 | 6,2 | 29.950 | 50 | VFTM TRI 3 | E01 | 1.541,35 |
| 5151047100 | TCT/4-800-6/22-A-4 | 1449 | 4 | 8,1 | 33.230 | 56 | VFTM TRI 4 | E01 | 1.697,64 |
| 5151047200 | TCT/4-900-6/12-A-4 | 1457 | 4 | 8,1 | 29.540 | 65 | VFTM TRI 4 | E01 | 1.894,55 |
| 5151047300 | TCT/4-900-6/18-A-5,5 | 1462 | 5,5 | 10,5 | 38.140 | 77 | VFTM TRI 5,5 | E01 | 2.079,30 |
| 5151047400 | TCT/4-900-6/24-A-7,5 | 1463 | 7,5 | 14,1 | 46.530 | 91 | VFTM TRI 7,5 | E01 | 2.264,87 |
| 5151050600 | TCT/4-1000-6/12-A-5,5 | 1471 | 5,5 | 10,5 | 41.830 | 115 | VFTM TRI 5,5 | E01 | 2.495,63 |
| 5151047500 | TCT/4-1000-6/16-A-7,5 | 1462 | 7,5 | 14,1 | 50.090 | 129 | VFTM TRI 7,5 | E01 | 2.672,00 |
| 5151047600 | TCT/4-1000-6/24-A-11 | 1463 | 11 | 21,2 | 63.320 | 149 | VFTM TRI 11 | E01 | 3.402,73 |
| 5151047700 | TCT/4-1000-6/26-A-15 | 1471 | 15 | 28,7 | 71.240 | 179 | VFTM TRI 15 | E01 | 3.703,35 |
| 6 POLOS | | | | | | | | | |
| 5151047800 | TCT/6-560-6/34-A-0,55 | 961 | 0,55 | 1,5 | 10.000 | 28 | VFTM TRI 0,55 | E01 | 983,02 |
| 5151047900 | TCT/6-630-6/26-A-0,55 | 948 | 0,55 | 1,5 | 11.620 | 26 | VFTM TRI 0,55 | E01 | 1.186,87 |
| 5151048000 | TCT/6-630-6/32-A-0,75 | 953 | 0,75 | 2,0 | 13.340 | 29 | VFTM TRI 0,75 | E01 | 1.225,54 |
| 5151048100 | TCT/6-710-6/24-A-0,75 | 942 | 0,75 | 2,0 | 16.080 | 34 | VFTM TRI 0,75 | E01 | 1.377,51 |
| 5151048200 | TCT/6-710-6/32-A-1,1 | 948 | 1,1 | 2,8 | 19.490 | 38 | VFTM TRI 1,1 | E01 | 1.453,92 |
| 5151048300 | TCT/6-800-6/20-A-1,1 | 955 | 1,1 | 2,8 | 20.370 | 40 | VFTM TRI 1,1 | E01 | 1.525,20 |
| 5151048400 | TCT/6-800-6/26-A-1,5 | 962 | 1,5 | 3,7 | 24.890 | 43 | VFTM TRI 1,5 | E01 | 1.650,34 |
| 5151048500 | TCT/6-800-6/32-A-2,2 | 965 | 2,2 | 5,3 | 27.480 | 50 | VFTM TRI 2,2 | E01 | 1.755,59 |
| 5151048600 | TCT/6-900-6/22-A-2,2 | 961 | 2,2 | 5,3 | 28.860 | 60 | VFTM TRI 2,2 | E01 | 2.009,63 |
| 5151048700 | TCT/6-900-6/28-A-3 | 971 | 3 | 7,3 | 35.490 | 73 | VFTM TRI 3 | E01 | 2.264,55 |
| 5151048800 | TCT/6-1000-6/14-A-2,2 | 964 | 2,2 | 5,3 | 30.260 | 85 | VFTM TRI 2,2 | E01 | 2.202,08 |
| 5151048900 | TCT/6-1000-6/20-A-3 | 975 | 3 | 7,3 | 38.790 | 108 | VFTM TRI 3 | E01 | 2.510,09 |
| 5151049000 | TCT/6-1000-6/24-A-4 | 978 | 4 | 9,5 | 43.090 | 115 | VFTM TRI 4 | E01 | 2.780,18 |
| 5151036600 | TCT/6-1000-6/30-A-5,5 | 974 | 5,5 | 12,8 | 50.170 | 119 | VFTM TRI 5,5 | E01 | 3.002,82 |

* Nivel de potencia sonora en el punto medio de la curva.

EXTRACTORES HELICOIDALES DE APLICACIÓN AGROPECUARIA

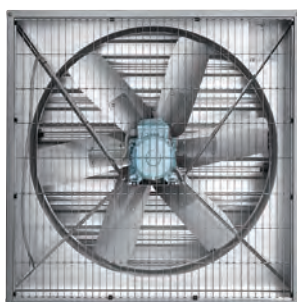
Serie HIB-P/HIT-P



Lado persiana de descarga



Lado defensa de aspiración



Configuración constructiva de los modelos 800, de accionamiento directo



Aplicaciones específicas



Instalaciones agropecuarias

Ventiladores helicoidales murales con estructura de plancha de acero galvanizada, persiana de descarga de apertura mecánica, defensa de aspiración de acero galvanizado, hélice de chapa de aluminio accionada a transmisión por correas (excepto Ø 800, de accionamiento directo), motor monofásico (HIB) o trifásico (HIT), IP55, Clase F.

Motores

Tensión de alimentación
Monofásicos 230V-50Hz.
Trifásicos 230/400V-50Hz.

De alta eficiencia, IE3: modelos trifásicos de 0,75 y 1,5 kW.

Otros datos

Bajo demanda se pueden suministrar modelos a 60Hz y modelos sin persiana. Los modelos sin persiana incorporan, de fábrica, defensa de acero inoxidable tanto en la aspiración como en la descarga.

Es imprescindible comprobar que las características eléctricas (voltaje, intensidad, frecuencia, etc) del motor que aparecen en la placa del mismo son compatibles con las de la instalación.

| Código | Modelo | Potencia útil motor (kW) | Intensidad (A)* | Caudal máximo (m³/h) | Velocidad motor (r.p.m.)* | Velocidad hélice (r.p.m.)* | Nivel de presión sonora** (dB(A)) | Peso (kg) | Grupo producto | Precio €/u. |
|--------|--------|--------------------------|-----------------|----------------------|---------------------------|----------------------------|-----------------------------------|-----------|----------------|-------------|
|--------|--------|--------------------------|-----------------|----------------------|---------------------------|----------------------------|-----------------------------------|-----------|----------------|-------------|

MONOFÁSICOS

| | | | | | | | | | | |
|------------|-----------------|------|-----|--------|------|-----|----|----|-----|----------|
| 5119229600 | HIB-800-P-0,55 | 0,55 | 3,2 | 15.450 | 910 | 935 | 71 | 48 | E01 | 1.547,02 |
| 5119229800 | HIB-1000-P-0,37 | 0,37 | 3 | 20.700 | 1400 | 481 | 66 | 50 | E01 | 1.629,66 |
| 5119229900 | HIB-1000-P-0,55 | 0,55 | 4,4 | 22.600 | 1400 | 525 | 67 | 52 | E01 | 1.686,31 |
| 5119230000 | HIB-1000-P-0,75 | 0,75 | 5,5 | 24.900 | 1400 | 579 | 70 | 54 | E01 | 1.762,18 |
| 5119230100 | HIB-1250-P-0,75 | 0,75 | 5,5 | 34.300 | 1400 | 393 | 67 | 69 | E01 | 1.820,08 |
| 5119230200 | HIB-1250-P-1,1 | 1,1 | 7,6 | 40.900 | 1400 | 473 | 69 | 74 | E01 | 1.927,21 |

* Valores a 230V 50Hz.

TRIFÁSICOS

| | | | | | | | | | | |
|------------|-----------------|------|-----------|--------|------|-----|----|----|-----|----------|
| 5119230400 | HIT-800-P-0,55 | 0,55 | 3,2 / 1,6 | 15.450 | 910 | 935 | 71 | 48 | E01 | 1.456,04 |
| 5119230600 | HIT-1000-P-0,37 | 0,37 | 1,6 / 0,9 | 20.700 | 1400 | 481 | 66 | 50 | E01 | 1.616,08 |
| 5119230700 | HIT-1000-P-0,55 | 0,55 | 2,4 / 1,4 | 22.600 | 1400 | 525 | 67 | 52 | E01 | 1.637,27 |
| 5119230800 | HIT-1000-P-0,75 | 0,75 | 3,4 / 2,0 | 24.900 | 1400 | 579 | 70 | 54 | E01 | 1.683,75 |
| 5119230900 | HIT-1250-P-0,75 | 0,75 | 3,4 / 2,0 | 34.300 | 1400 | 393 | 67 | 69 | E01 | 1.710,79 |
| 5119231000 | HIT-1250-P-1,1 | 1,1 | 4,5 / 2,6 | 40.900 | 1400 | 473 | 69 | 74 | E01 | 1.819,82 |
| 5119231100 | HIT-1250-P-1,5 | 1,5 | 6,3 / 3,6 | 44.500 | 1400 | 516 | 72 | 80 | E01 | 1.957,80 |

* Valores a 230/400V 50Hz.

** Presión sonora medida a una distancia equivalente a 3 veces el diámetro, en campo libre.

ACCESORIOS DE MONTAJE ESPECÍFICOS

KIT SEGURIDAD HIT/HIB P (Aplicable únicamente para modelos con persiana)

Marco mallado para instalar por el lado de descarga (persiana). Impiden cualquier contacto con la hélice y la entrada de cuerpos extraños dentro del ventilador.

Para ser usadas en aquellas instalaciones que queden por debajo de 2,5 m de altura y deban cumplir la *Directiva de máquinas*.

OSCURECEDOR HIT/HIB

Pantallas que evitan la entrada de luz, para ser montadas en la parte interior. Especialmente indicadas en granjas avícolas.

KITS DE FIJACIÓN PARED HIT/HIB

Perfiles de fijación para la correcta instalación de los ventiladores a la pared.

| Código | Modelo | Grupo producto | Precio €/u. |
|------------|------------------------------|----------------|-------------|
| 5416488400 | KIT SEGURIDAD HIT/HIB-800 P | E01 | 139,82 |
| 5416489200 | KIT SEGURIDAD HIT/HIB-1000 P | E01 | 167,35 |
| 5416490000 | KIT SEGURIDAD HIT/HIB-1250 P | E01 | 179,81 |
| 5416572500 | OSCURECEDOR HIT/HIB-800 | E01 | 542,31 |
| 5416573300 | OSCURECEDOR HIT/HIB-1000 | E01 | 706,28 |
| 5416577400 | OSCURECEDOR HIT/HIB-1250 | E01 | 974,64 |
| 5416821100 | KIT FIXING WALL HIT/HIB-800 | E01 | 150,24 |
| 5416821200 | KIT FIXING WALL HIT/HIB-1000 | E01 | 164,18 |
| 5416821300 | KIT FIXING WALL HIT/HIB-1250 | E01 | 171,19 |

Serie TCBB/TCBT - Hélice de ALUMINIO



Configuración constructiva
modelos 250, 315, 355 y 400
(Excepto modelos 6-355, 6-400 y ATEX)

Configuración constructiva
modelos /4-710 y 800

Ventiladores helicoidales tubulares con camisa con tratamiento anticorrosión por cataforésis y pintura poliéster, hélice de aluminio equilibrada dinámicamente, motor monofásico (TCBB) o trifásico (TCBT), IP65 (1), Clase F (2), con protector térmico incorporado (3), caja de bornes fuera del flujo de aire conteniendo el condensador en los modelos monofásicos.

- (1) Modelos 250, 315, 355 y 400: Motor de rotor exterior IP54. Modelos 4/710 y 800: IP55.
- (2) Temperatura de trabajo: de -40° a +70°C, excepto modelos 250, 315, 355, 400, /4-710 y 800 (hasta +40°C).
- (3) Excepto modelos /4-710 y 800.

Motores

De 2, 4 u 6 polos, según versiones.
Regulables por tensión con autotransformador, excepto modelos /4-560/H, /4-630, 710 y T/800.
Modelos trifásicos regulables por convertidor de frecuencia.
Tensión de alimentación
Monofásicos 230V-50Hz
Trifásicos 230/400V-50Hz ó 400V-50Hz
(Ver cuadro de características)

Otros datos

Sentido del aire Hélice-Motor (flujo B).
Motor-Hélice (flujo A), bajo demanda.
Bajo demanda, motores trifásicos de 2 velocidades, 4/8 polos, para Ø de 450 a 800.

TCBT versiones ATEX

Bajo pedido, versiones antiexplosivas según la Directiva ATEX para modelos trifásicos:

- Para trabajar a temperaturas de:
 - 20°C a +55°C: modelos TCBT/4-315 a 630 mm
modelos TCBT/6-355 a 710 mm
 - 20°C a +40°C: modelos TCBT/4-710 a 800 mm
modelos TCBT/6-800 mm

Motores IP55. Clase F.

- ATEX Antideflagrantes - Gas
Para modelos TCBT/4-710 y 800 mm
⊕ II 2G Ex d IIB T4
⊕ II 2G Ex d IIB+H2 T4 (con motor Ex d IIC T4)
- ATEX Seguridad aumentada - Gas
No disponibles TCBT/2-250/H 400V-50Hz
TCBT/4-250/H 400V-50Hz
TCBT/6-355/H 400V-50Hz
TCBT/6-400/H 400V-50Hz

Sí disponibles TCBT/6-400/H 230/400V-50Hz y tamaños mayores.

- ⊕ II 2G Ex e II T3
- ATEX - Polvo
Para modelos TCBT/4-710 y 800 mm
Partículas en suspensión inflamables y polvo no conductor:
⊕ II 3D Ex tc IIIB T125°C
Polvo conductor:
⊕ II 3D Ex tc IIIC T125°C (con motor IP65)

Para seleccionar modelos TCBT ATEX, ver el programa de selección de producto EASYVENT. Los datos eléctricos de los modelos ATEX pueden variar respecto a los datos indicados en las tablas características. Consulte la disponibilidad de otras versiones de motores A



PROTECCIÓN

Aplicaciones específicas



Versiónes

ACCESORIOS DE MONTAJE (Ver códigos y precios en Accesorios Generales)

| Modelo | Defensas | | Bridas | Pie soporte | Embocadura-Defensa | Acoplamiento elástico | Acoplamiento elástico antiexplosivo (ATEX) |
|-------------------|--------------------------|------------------------|-----------------------|-------------|--------------------|-----------------------|--|
| | Aspiración (lado hélice) | Descarga (lado motor) | | | | | |
| TCBB / TCBT 250 | DEF-250 T | DEF-250 T | ARO BRIDA COMPACT-250 | PIE-250 | - | ACOP.BRIDA-250 | ACOPEL EX 250/160 N |
| TCBB / TCBT 315 | DEF-315 T | DEF-315 T | ARO BRIDA COMPACT-315 | PIE-315 | EMB-315 T | ACOP.BRIDA-315 | ACOPEL EX 315/160 N |
| TCBB / TCBT 355 | DEF-355 T | DEF-355 T | ARO BRIDA COMPACT-355 | PIE-355 | EMB-355 T | ACOP.BRIDA-355 | ACOPEL EX 355/160 N |
| TCBB / TCBT 400 | DEF-400 T | DEF-400 T | ARO BRIDA COMPACT-400 | PIE-400 | EMB-400 T | ACOP.BRIDA-400 | ACOPEL EX 400/160 N |
| TCBB / TCBT 450 | DEF-450 T | DEF-450 T | ARO BRIDA COMPACT-450 | PIE-450 | EMB-450 T | ACOP.BRIDA-450 | ACOPEL EX 450/160 N |
| TCBB / TCBT 500 | DEF-500 T | DEF-500 T | ARO BRIDA COMPACT-500 | PIE-500 | EMB-500 T | ACOP.BRIDA-500 | ACOPEL EX 500/160 N |
| TCBB / TCBT 560 | DEF-560 T | DEF-560 T | ARO BRIDA COMPACT-560 | PIE-560 | EMB-560 T | ACOP.BRIDA-560 | ACOPEL EX 560/160 N |
| TCBB / TCBT 630 | DEF-630 T | DEF-630 T | ARO BRIDA COMPACT-630 | PIE-630 | EMB-630 T | ACOP.BRIDA-630 | ACOPEL EX 630/160 N |
| TCBT 4-710/H | DEF-710 T ASPIRACION | DEF-710 H-T DESCARGA | ARO BRIDA COMPACT-710 | PIE-710 | EMB-710 T | ACOP.BRIDA-710 | ACOPEL EX 710/160 N |
| TCBT 4-710/L | DEF-710 T ASPIRACION | DEF-710 L-T DESCARGA | ARO BRIDA COMPACT-710 | PIE-710 | EMB-710 T | ACOP.BRIDA-710 | ACOPEL EX 710/160 N |
| TCBB / TCBT 6-710 | DEF-710 T ASPIRACION | DEF-710 T ASPIRACION | ARO BRIDA COMPACT-710 | PIE-710 | EMB-710 T | ACOP.BRIDA-710 | ACOPEL EX 710/160 N |
| TCBT 800 | DEF-800 T ASPIRACION | DEF.DESC.TGT/THGT-800* | ARO BRIDA COMPACT-800 | PIE-800 | EMB-800 T | ACOP.BRIDA-800 | ACOPEL EX 800/160 N |

Es imprescindible comprobar que las características eléctricas (voltaje, intensidad, frecuencia, etc) del motor que aparecen en la placa del mismo son compatibles con las de la instalación.

| Código | Modelo | Velocidad (r.p.m.) | Potencia absorbida máxima (W) | Intensidad máxima (A) | | Nivel de presión sonora (dB(A)) | Caudal máximo (m³/h) | Peso (kg) | Regulador de tensión opcional | | Convertidor de frecuencia opcional | | Grupo producto | Precio €/u. |
|----------------------------|--------------|--------------------|-------------------------------|-----------------------|---------|---------------------------------|----------------------|-----------|-------------------------------|---------|------------------------------------|---------|----------------|-----------------|
| | | | | a 230 V | a 400 V | | | | REB | RMB/T | VFTM | VFKB | | |
| MONOFÁSICOS 2 POLOS | | | | | | | | | | | | | | |
| 5705079600 | TCBB/2-250/H | 2680 | 123 | 0,5 | - | 62 | 1.680 | 8 | - | - | - | - | E01 | 607,37 |
| MONOFÁSICOS 4 POLOS | | | | | | | | | | | | | | |
| 5705079700 | TCBB/4-250/H | 1430 | 44 | 0,2 | - | 42 | 900 | 8 | REB-1 | RMB-1,5 | - | - | E01 | 579,20 |
| 5705079800 | TCBB/4-315/H | 1435 | 105 | 0,6 | - | 52 | 1.990 | 11 | REB-1 | RMB-1,5 | - | - | E01 | 656,82 |
| 5705079900 | TCBB/4-355/H | 1420 | 120 | 0,6 | - | 52 | 2.460 | 13,2 | REB-2,5 | RMB-1,5 | - | - | E01 | 734,68 |
| 5740124200 | TCBB/4-400/H | 1410 | 277 | 1,1 | - | 60 | 5.050 | 15,5 | REB-2,5 | RMB-3,5 | - | - | E01 | 1.225,27 |
| 5604636400 | TCBB/4-450/H | 1410 | 591 | 2,5 | - | 63 | 6.940 | 21 | - | - | - | - | E01 | 1.321,28 |
| 5604636300 | TCBB/4-500/H | 1410 | 636 | 2,8 | - | 66 | 7.500 | 25 | REB-5 | RMB-3,5 | - | - | E01 | 1.518,27 |
| 5604634700 | TCBB/4-560/L | 1405 | 1289 | 6 | - | 68 | 11.990 | 33 | REB-10 | RMB-8 | - | - | E01 | 1.502,04 |
| 5604634800 | TCBB/4-560/H | 1400 | 1308 | 6 | - | 69 | 12.170 | 34,7 | - | - | - | - | E01 | 1.595,15 |
| 5604638700 | TCBB/4-630/L | 1365 | 1707 | 7,5 | - | 70 | 15.980 | 40 | - | - | - | - | E01 | 2.002,53 |
| MONOFÁSICOS 6 POLOS | | | | | | | | | | | | | | |
| 5604656800 | TCBB/6-355/H | 880 | 92 | 0,4 | - | 46 | 2.160 | 13,2 | REB-1 | RMB-1,5 | - | - | E01 | 941,92 |
| 5604331800 | TCBB/6-400/H | 870 | 118 | 0,5 | - | 48 | 2.820 | 15,5 | REB-1 | RMB-1,5 | - | - | E01 | 1.178,07 |
| 5604633200 | TCBB/6-500/H | 920 | 226 | 1 | - | 57 | 5.250 | 24,8 | REB-2,5 | RMB-1,5 | - | - | E01 | 1.474,28 |
| 5604636500 | TCBB/6-560/L | 930 | 375 | 1,6 | - | 60 | 7.810 | 33,5 | REB-5 | RMB-3,5 | - | - | E01 | 1.549,45 |
| 5604639600 | TCBB/6-630/L | 920 | 514 | 2,1 | - | 60 | 10.410 | 38,5 | REB-5 | RMB-8 | - | - | E01 | 1.945,39 |
| 5604633400 | TCBB/6-710/L | 930 | 849 | 4,2 | - | 62 | 14.480 | 46 | - | - | - | - | E01 | 2.097,75 |
| TRIFÁSICOS 2 POLOS | | | | | | | | | | | | | | |
| 5705080000 | TCBT/2-250/H | 2775 | 114 | 0,3 | 0,2 | 62 | 1.730 | 8 | - | - | TRI-0,37 | VFKB-45 | E01 | 547,80 |
| TRIFÁSICOS 4 POLOS | | | | | | | | | | | | | | |
| 5705080100 | TCBT/4-250/H | 1470 | 42 | 0,3 | 0,2 | 42 | 900 | 8 | - | RMT-1,5 | TRI-0,37 | VFKB-45 | E01 | 533,66 |
| 5705080200 | TCBT/4-315/H | 1445 | 99 | 0,5 | 0,3 | 51 | 1.950 | 11 | - | RMT-1,5 | TRI-0,37 | VFKB-45 | E01 | 613,67 |
| 5705080300 | TCBT/4-355/H | 1415 | 117 | 0,5 | 0,3 | 52 | 2.470 | 13,2 | - | RMT-1,5 | TRI-0,37 | VFKB-45 | E01 | 690,42 |
| 5740124800 | TCBT/4-400/H | 1410 | 268 | 0,9 | 0,5 | 60 | 4.950 | 15,5 | - | RMT-1,5 | TRI-0,37 | VFKB-45 | E01 | 1.165,83 |
| 5603003500 | TCBT/4-450/H | 1405 | 526 | 1,9 | 1,1 | 63 | 6.650 | 21 | - | RMT-2,5 | TRI-0,55 | VFKB-45 | E01 | 1.257,81 |
| 5603999700 | TCBT/4-500/H | 1420 | 641 | 2,6 | 1,5 | 66 | 7.590 | 25 | - | RMT-2,5 | TRI-0,55 | VFKB-45 | E01 | 1.394,95 |
| 5603205600 | TCBT/4-560/L | 1415 | 1184 | 3,8 | 2,2 | 68 | 12.090 | 33 | - | RMT-2,5 | TRI-0,75 | VFKB-45 | E01 | 1.437,44 |
| 5603994500 | TCBT/4-560/H | 1390 | 1348 | 4,2 | 2,4 | 69 | 13.370 | 34,7 | - | - | TRI-1,1 | VFKB-45 | E01 | 1.526,46 |
| 5604309000 | TCBT/4-630/L | 1410 | 1768 | 5,9 | 3,4 | 70 | 16.370 | 39 | - | - | TRI-1,5 | VFKB-45 | E01 | 1.845,70 |
| 5604308800 | TCBT/4-630/H | 1400 | 1940 | 6,2 | 3,6 | 70 | 17.030 | 40 | - | - | TRI-1,5 | VFKB-45 | E01 | 1.942,80 |
| 5604597300 | TCBT/4-710/L | 1435 | 2175 | 6,4 | 3,7 | 73 | 20.290 | 46 | - | - | TRI-1,5 | VFKB-45 | E01 | 2.094,11 |
| 5603927300 | TCBT/4-710/H | 1460 | 3441 | 10,6 | 6,1 | 73 | 26.420 | 54 | - | - | TRI-3 | VFKB-48 | E01 | 2.270,50 |
| 5604885400 | TCBT/4-800/L | 1460 | 3750 | 11,3 | 6,5 | 76 | 29.950 | 65 | - | - | TRI-3 | VFKB-48 | E01 | 2.920,38 |
| 5604992600 | TCBT/4-800/K | 1460 | 5177 | - | 8,8 | 76 | 34.950 | 68 | - | - | TRI-4 | - | E01 | 3.082,66 |
| 5604739300 | TCBT/4-800/G | 1470 | 6146 | - | 11,1 | 77 | 38.500 | 81 | - | - | TRI-5,5 | - | E01 | 3.158,16 |
| 5604602100 | TCBT/4-800/H | 1475 | 7688 | - | 13 | 78 | 42.490 | 89 | - | - | TRI-5,5 | - | E01 | 3.244,61 |
| TRIFÁSICOS 6 POLOS | | | | | | | | | | | | | | |
| 5604468800 | TCBT/6-355/H | 900 | 97 | 0,4 | 0,2 | 47 | 2.250 | 13,2 | - | RMT-1,5 | TRI-0,37 | VFKB-45 | E01 | 881,11 |
| 5604657600 | TCBT/6-400/H | 860 | 116 | 0,4 | 0,2 | 49 | 2.970 | 15,5 | - | RMT-1,5 | TRI-0,37 | VFKB-45 | E01 | 1.115,74 |
| 5604311200 | TCBT/6-450/H | 940 | 161 | 0,7 | 0,4 | 54 | 4.020 | 20,7 | - | RMT-1,5 | TRI-0,37 | VFKB-45 | E01 | 1.203,68 |
| 5604317800 | TCBT/6-500/H | 930 | 198 | 0,9 | 0,5 | 57 | 4.990 | 24,8 | - | RMT-1,5 | TRI-0,37 | VFKB-45 | E01 | 1.336,26 |
| 5605770800 | TCBT/6-560/H | 920 | 363 | 1,4 | 0,8 | 60 | 7.630 | 33,5 | - | RMT-2,5 | TRI-0,55 | VFKB-45 | E01 | 1.460,47 |
| 5603999600 | TCBT/6-630/L | 915 | 595 | - | 1,3 | 60 | 10.940 | 38 | - | RMT-2,5 | TRI-0,55 | VFKB-45 | E01 | 1.792,92 |
| 5603999500 | TCBT/6-630/H | 950 | 906 | - | 2,7 | 62 | 13.610 | 38,5 | - | RMT-5 | TRI-1,1 | VFKB-45 | E01 | 1.886,95 |
| 5604309100 | TCBT/6-710/L | 910 | 967 | 3,5 | 2 | 62 | 16.240 | 46 | - | - | TRI-1,1 | VFKB-45 | E01 | 1.975,51 |
| 5604309200 | TCBT/6-710/H | 910 | 1378 | 5,4 | 3,1 | 63 | 19.120 | 46 | - | - | TRI-1,1 | VFKB-45 | E01 | 2.141,77 |
| 5604603100 | TCBT/6-800/L | 965 | 1278 | 4,7 | 2,7 | 66 | 20.770 | 57 | - | - | TRI-1,1 | VFKB-45 | E01 | 2.770,66 |
| 5604604700 | TCBT/6-800/K | 975 | 1592 | 5,7 | 3,3 | 66 | 24.090 | 64 | - | - | TRI-1,5 | VFKB-45 | E01 | 2.924,59 |
| 5604884700 | TCBT/6-800/G | 975 | 1968 | 8 | 4,6 | 67 | 26.310 | 68 | - | - | TRI-2,2 | VFKB-45 | E01 | 2.996,50 |
| 5604605400 | TCBT/6-800/H | 970 | 2345 | 8,7 | 5 | 68 | 27.910 | 80 | - | - | TRI-2,2 | VFKB-48 | E01 | 3.078,17 |

Serie TCBBx2/TCBTx2 - Tubulares en Contrarrotación



Ventiladores helicoidales tubulares, con camisa con tratamiento anticorrosión por cataforésis y pintura poliéster, equipados con 2 motores en contrarrotación y 2 hélices complementarias de aluminio, motor monofásico (TCBBx2) o trifásico (TCBTx2), IP65, Clase F (1), con protector térmico incorporado y caja de bornes fuera del flujo de aire.
(1) Temperatura de trabajo de -40°C a +70°C.

Motores

Modelos monofásicos regulables por variación de tensión (excepto el modelo TCBBx2/4-630).

Modelos trifásicos regulables por variación de frecuencia.

Tensión de alimentación

Monofásicos 230V-50Hz

Trifásicos 230/400V-50Hz

(Ver cuadro de características).

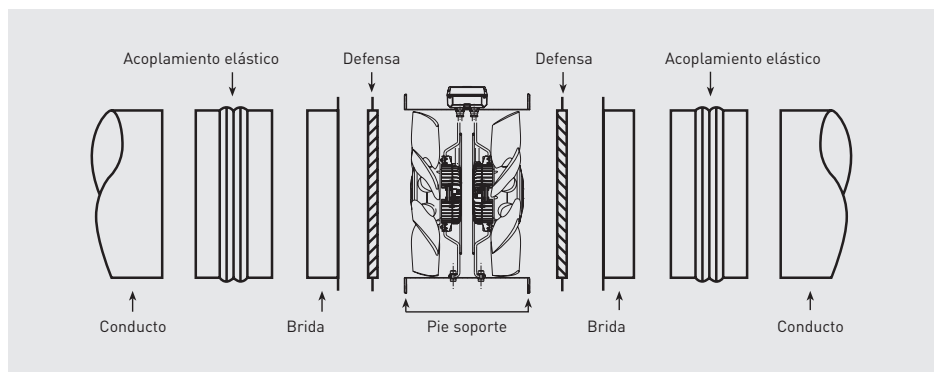


Es imprescindible comprobar que las características eléctricas (voltaje, intensidad, frecuencia, etc) del motor que aparecen en la placa del mismo son compatibles con las de la instalación.

| Código | Modelo | Velo- cidad (r.p.m.) | Potencia abs. máx. (W) | Intensidad máxima (A) | | Nivel de presión sonora* (dB(A)) | Caudal máx. (m³/h) | Peso (Kg) | Regula- dor de tensión RMB/T | Convertidor de frecuencia opcional | | | | Grupo pro- ducto | Precio €/u. |
|-------------|--------------|----------------------------|---------------------------------|-----------------------------|--------|---|--------------------------|--------------|---------------------------------------|------------------------------------|---------|---------|---------|------------------------|-----------------|
| | | | | VFTM | | | | | | VFKB | | | | | |
| | | | | Red alimentación | | | | | | Red alimentación | | | | | |
| a 230 V | | a 400 V | | 1/230V** | 3/400V | 1/230V** | 3/400V | | | | | | | | |
| MONOFÁSICOS | | | | | | | | | | | | | | | |
| 5605764700 | TCBBx2/4-450 | 1420 | 1316 | 5,7 | - | 74 | 7.430 | 42 | RMB-8 | - | - | - | - | E01 | 2.510,38 |
| 5605766800 | TCBBx2/4-500 | 1370 | 1957 | 9,0 | - | 76 | 9.950 | 50 | RMB-10 | - | - | - | - | E01 | 2.884,68 |
| 5605767200 | TCBBx2/4-560 | 1370 | 2972 | 13,6 | - | 78 | 14.150 | 66 | - | - | - | - | - | E01 | 3.030,77 |
| 5605765200 | TCBBx2/4-630 | 1400 | 3671 | 16,3 | - | 79 | 16.560 | 80 | - | - | - | - | - | E01 | 3.804,76 |
| TRIFÁSICOS | | | | | | | | | | | | | | | |
| 5605765000 | TCBTx2/4-450 | 1430 | 1309 | 5,2 | 3 | 74 | 7.250 | 42 | RMT-5 | MONO 1,1 | TRI 1,1 | VFKB 27 | VFKB 45 | E01 | 2.389,93 |
| 5605766600 | TCBTx2/4-500 | 1390 | 1700 | 5,8 | 3,4 | 76 | 9.800 | 50 | RMT-5 | MONO 1,1 | TRI 1,5 | VFKB 27 | VFKB 45 | E01 | 2.650,39 |
| 5605766700 | TCBTx2/4-560 | 1390 | 3173 | 10,0 | 5,8 | 78 | 15.170 | 66 | - | MONO 2,2 | TRI 3 | - | VFKB 48 | E01 | 2.900,28 |
| 5605765100 | TCBTx2/4-630 | 1445 | 4014 | - | 7,4 | 79 | 17.810 | 80 | - | - | TRI 4 | - | VFKB 48 | E01 | 3.691,30 |

* Nivel de presión sonora medio, medido en campo libre a una distancia equivalente a 3 veces el diámetro con un mínimo de 1,5 m.

** Únicamente para los ventiladores suministrados con motores trifásicos 230/400V.



Serie PBB/PBT



Ventiladores helicoidales tubulares portátiles, con camisa tratada anticorrosión por pintura poliéster, hélice de plástico + fibra de vidrio equilibrada dinámicamente y motor monofásico (PBB) o trifásico (PBT), IP65, Clase F, protector térmico incorporado, y caja de bornes con interruptor fuera del flujo de aire, conteniendo el condensador en los modelos monofásicos.

Motores

Sentido del aire Hélice-Motor (flujo B).



PROTECCIÓN

Motores

Regulables por variación de tensión, excepto modelo /4-630.

Modelos trifásicos regulables por convertidor de frecuencia.

Monofásicos 230V-50Hz
Trifásicos 230/400V-50Hz ó 400V-50Hz
(Ver cuadro de características)



Es imprescindible comprobar que las características eléctricas (voltaje, intensidad, frecuencia, etc) del motor que aparecen en la placa del mismo son compatibles con las de la instalación.

| Código | Modelo | Velocidad (r.p.m.) | Potencia absorbida máxima (W) | Intensidad máxima (A) | | Caudal máximo (m³/h) | Nivel de presión sonora a 1,5 m (dB(A)) | Peso (Kg) | Regulador de tensión opcional | Grupo producto | Precio €/u. |
|-------------|-----------|--------------------|-------------------------------|-----------------------|-------|----------------------|---|-----------|-------------------------------|----------------|-----------------|
| | | | | 230 V | 400 V | | | | | | |
| MONOFÁSICOS | | | | | | | | | | | |
| 5118608800 | PBB/4-315 | 1300 | 100 | 0,60 | - | 2.250 | 54 | 13,5 | REB-1 | E01 | 1.091,43 |
| 5118609600 | PBB/4-400 | 1200 | 340 | 1,60 | - | 5.200 | 60 | 20 | REB-2,5 | E01 | 1.325,51 |
| 5118616100 | PBB/4-450 | 1290 | 480 | 2,30 | - | 6.700 | 65 | 26 | REB-2,5 | E01 | 1.420,15 |
| 5118617900 | PBB/4-560 | 1250 | 980 | 4,90 | - | 12.300 | 71 | 39 | REB-5 | E01 | 1.875,05 |
| 5118610400 | PBB/4-630 | 1200 | 1700 | 7,60 | - | 16.450 | 74 | 40 | - | E01 | 2.366,01 |
| TRIFÁSICOS | | | | | | | | | | | |
| 5118020600 | PBT/4-315 | 1300 | 150 | 0,59 | 0,34 | 2.250 | 54 | 13,5 | RMT-1,5 | E01 | 1.091,43 |
| 5118019800 | PBT/4-400 | 1200 | 300 | 1,40 | 0,80 | 5.200 | 60 | 20 | RMT-1,5 | E01 | 1.325,51 |
| 5118017200 | PBT/4-450 | 1290 | 500 | 1,70 | 1 | 6.700 | 65 | 26 | RMT-1,5 | E01 | 1.420,15 |
| 5118014900 | PBT/4-560 | 1250 | 1210 | 3,90 | 2,30 | 12.300 | 71 | 39 | RMT-2,5 | E01 | 1.875,05 |
| 5118018000 | PBT/4-630 | 1200 | 1600 | 4,84 | 2,80 | 16.450 | 74 | 40 | - | E01 | 2.366,01 |

Serie TXBR ECOWATT



Ventiladores helicoidales tubulares con camisa tratada contra la corrosión por cataforésis y pintura poliéster, de bajo nivel sonoro y hélice de plástico equilibrada dinámicamente.

Motores

Motor brushless de corriente continua, de alto rendimiento y bajo consumo, alimentación 230V±10% 50/60Hz, IP44, rodamientos a bolas y protector térmico incorporado.

Velocidad regulable 100% mediante potenciómetro ubicado en la caja de bornes o mediante control externo tipo REB-ECOWATT. Entrada analógica para controlar el ventilador con una señal externa 0-10V.

Otros datos

Sentido del aire Hélice-Motor (flujo B).
Temperatura de trabajo: de -20°C a +50°C.



Es imprescindible comprobar que las características eléctricas (voltaje, intensidad, frecuencia, etc) del motor que aparecen en la placa del mismo son compatibles con las de la instalación.

| Código | Modelo | Tensión de control (V) | Velocidad (r.p.m.) | Potencia absorbida máxima (W) | Intensidad absorbida máxima (A) | Caudal máximo (m³/h) | Nivel de presión sonora* (dB(A)) | Peso (kg) | Grupo producto | Precio €/u. |
|------------|------------------|------------------------|--------------------|-------------------------------|---------------------------------|----------------------|----------------------------------|-----------|----------------|-------------|
| 5750399300 | TXBR-250 ECOWATT | 10 | 2275 | 131 | 0,9 | 2.040 | 58 | 4,5 | E01 | 593,78 |
| | | 8 | 1980 | 88 | 0,6 | 1.790 | 54 | | | |
| | | 6 | 1570 | 45 | 0,3 | 1.425 | 48 | | | |
| | | 4 | 1155 | 19 | 0,1 | 1.025 | 41 | | | |
| 5750399400 | TXBR-315 ECOWATT | 10 | 1675 | 169 | 1,1 | 2.930 | 57 | 6 | E01 | 621,41 |
| | | 8 | 1560 | 136 | 0,9 | 2.730 | 55 | | | |
| | | 6 | 1255 | 73 | 0,5 | 2.170 | 51 | | | |
| | | 4 | 960 | 36 | 0,3 | 1.670 | 42 | | | |
| 5750399500 | TXBR-355 ECOWATT | 10 | 1550 | 190 | 1,2 | 3.605 | 57 | 8 | E01 | 694,06 |
| | | 8 | 1460 | 159 | 1,0 | 3.425 | 55 | | | |
| | | 6 | 1235 | 95 | 0,6 | 2.870 | 52 | | | |
| | | 4 | 1020 | 55 | 0,4 | 2.365 | 46 | | | |
| 5750399600 | TXBR-400 ECOWATT | 10 | 1350 | 326 | 1,4 | 5.170 | 59 | 8,5 | E01 | 820,02 |
| | | 8 | 1245 | 249 | 1,1 | 4.750 | 56 | | | |
| | | 6 | 1060 | 153 | 0,7 | 4.090 | 53 | | | |
| | | 4 | 870 | 92 | 0,4 | 3.325 | 48 | | | |
| 5750399700 | TXBR-450 ECOWATT | 10 | 1250 | 350 | 1,5 | 6.455 | 59 | 9 | E01 | 1.016,51 |
| | | 8 | 1200 | 310 | 1,4 | 6.125 | 58 | | | |
| | | 6 | 1030 | 201 | 0,9 | 5.260 | 55 | | | |
| | | 4 | 870 | 123 | 0,6 | 4.410 | 51 | | | |

* Nivel de presión sonora en un punto medio de la curva, medida en campo libre, a una distancia equivalente a tres veces el diámetro de la hélice, con un mínimo de 1,5 m.

Serie TRB/TREB



Configuración modelos TRB



Configuración modelos TREB

Ventiladores helicoidales tubulares, con carcasa de acero protegida contra la corrosión con pintura poliéster, hélice sickle y motor monofásico, IP44, Clase B, con protector térmico de rearme automático y rodamientos a bolas de engrase permanente. Caja de bornes ignífuga con el condensador incorporado.

Motores

De rotor exterior con muy buena regulación. De 2 ó 4 polos, según versiones. Tensión de alimentación. Monofásicos 230V-50Hz

Otros datos

Sentido del aire:
Modelos TREB: Motor-Hélice (flujo A)
Modelos TRB: Hélice-Motor (flujo B)



Es imprescindible comprobar que las características eléctricas (voltaje, intensidad, frecuencia, etc) del motor que aparecen en la placa del mismo son compatibles con las de la instalación.

| Código | Modelo | Velocidad (r.p.m.) | Potencia absorbida (W) | Intensidad absorbida (A) | Caudal máximo (m³/h) | Nivel de presión sonora* (dB(A)) | Peso (kg) | Grupo producto | Precio €/u. |
|-----------------------------|------------|--------------------|------------------------|--------------------------|----------------------|----------------------------------|-----------|----------------|---------------|
| VERSION DE SUPERFICIE - TRB | | | | 2 POLOS | | | | | |
| 575500600 | TRB/2-200 | 2775 | 60 | 0,34 | 845 | 54 | 4,6 | E01 | 361,04 |
| 5755002200 | TRB/2-250 | 2685 | 125 | 0,55 | 1.810 | 59 | 5,6 | E01 | 390,96 |
| | | | | 4 POLOS | | | | | |
| 5755001400 | TRB/4-200 | 1475 | 35 | 0,19 | 450 | 40 | 4,5 | E01 | 301,99 |
| 5755003000 | TRB/4-250 | 1450 | 40 | 0,21 | 950 | 43 | 5,1 | E01 | 363,38 |
| 5755004800 | TRB/4-300 | 1380 | 78 | 0,33 | 1.690 | 52 | 6,2 | E01 | 434,95 |
| 5755005500 | TRB/4-350 | 1400 | 125 | 0,55 | 3.070 | 52 | 7,3 | E01 | 510,17 |
| VERSIÓN EMPOTRADA - TREB | | | | 2 POLOS | | | | | |
| 5755006300 | TREB/2-200 | 2775 | 60 | 0,34 | 845 | 60 | 3,7 | E01 | 314,52 |
| 5755008900 | TREB/2-250 | 2685 | 125 | 0,55 | 1.810 | 65 | 4,7 | E01 | 319,53 |
| | | | | 4 POLOS | | | | | |
| 5755007100 | TREB/4-200 | 1475 | 35 | 0,19 | 450 | 42 | 3,6 | E01 | 301,20 |
| 5755009700 | TREB/4-250 | 1450 | 40 | 0,21 | 950 | 47 | 4,2 | E01 | 307,72 |
| 5755010500 | TREB/4-300 | 1380 | 78 | 0,33 | 1.690 | 61 | 5,4 | E01 | 351,36 |
| 5755011300 | TREB/4-350 | 1400 | 125 | 0,55 | 3.070 | 58 | 7,2 | E01 | 404,76 |

* Medido a 1,5 m (para TREB, NPS en la aspiración).

ACCESORIOS DE MONTAJE

(Ver códigos y precios en Accesorios Generales)

| Modelo | Persianas de sobrepresión | | Rejas de aluminio |
|----------|---------------------------|--------------|-------------------|
| | Plástico | Aluminio | |
| TREB-200 | PER - 200 W | PER - 250 CR | GRI-200 |
| TREB-250 | PER - 250 W | PER - 250 CR | GRI-250 |
| TREB-300 | PER - 355 W | PER - 355 CR | GRI-300 |
| TREB-350 | PER - 355 W | PER - 355 CR | GRI-350 |

Serie TGT



Configuración de camisa corta (Versión C)



Configuración de camisa larga (Versión L)



Configuración de camisa larga Ø 1400 y 1600 (Versión LK)

Ventiladores helicoidales tubulares con camisa con protección anticorrosiva mediante galvanizado en caliente, álabes de aluminio tipo "aerofoil", con casquillo de arrastre de acero, y motor trifásico IP55, Clase F.

Pueden instalarse en flujo horizontal o vertical. Camisa corta o larga, según necesidades de aplicación.

Los modelos de camisa larga pueden incorporar caja de bornes exterior, fuera del flujo de aire, y visor de inspección del sentido de aire de la hélice o puerta de inspección para acceso al motor.

Temperatura ambiental de trabajo: -20°C a +50°C.

Consultar EasyVent para seleccionar el equipo idóneo para la instalación, y obtener la ficha técnica correspondiente.

Motores

De 2, 4 ó 6 polos, según versiones.

De 2 velocidades (2/4, 4/8 ó 6/12 polos) bajo demanda.

Tensión de alimentación

Trifásicos

230/400V-50Hz, hasta 3 kW.

400V-50Hz, para potencias superiores

(Ver cuadro de características).



Soler&Palau Sistemas de Ventilación SLU certifica que este modelo tiene licencia para llevar el sello AMCA Seal for Air Performance.

Versión de revisión EasyVent v11, Mayo 2020.

Puede consultarse en www.amca.org/certify

Serie TGT ATEX

Los modelos TGT ATEX tienen códigos de producto y precios especiales, que no se corresponden con los de la Serie TGT que aparecen en el listado de la páginas siguientes.



Configuración de camisa corta

Ventiladores helicoidales tubulares especialmente diseñados para la extracción de aire en atmósferas explosivas, con camisa con protección anticorrosiva mediante galvanizado en caliente, álabes de aluminio con casquillo de arrastre de acero, y motor trifásico IP55, Clase F.

Pueden instalarse en flujo horizontal o vertical. Camisa corta o larga (modelos LP), según necesidades de aplicación.

Los modelos de camisa larga incorporan compuerta de inspección de acceso rápido al motor y a la caja de bornes.

Los modelos TGT ATEX antideflagrantes, 400 y 450, únicamente están disponibles en camisa larga (versiones LP).

Los modelos TGT ATEX antideflagrantes, desde los modelos 500 a 1250 sólo están disponibles en versiones de camisa corta y de camisa larga en versiones LP, no disponibles en versiones K o L.

Motores

De 2, 4 ó 6 polos, según versiones.

Tensión de alimentación

Trifásicos

230/400V-50Hz, hasta 3 kW

400V-50Hz, para potencias superiores

(Ver cuadro de características)

Otros datos

Sentido del aire Hélice-Motor (flujo B).

Motor-Hélice (flujo A), bajo demanda.

Ventiladores diseñados según la Directiva ATEX para modelos trifásicos:

Para trabajar a temperaturas de -20°C a +40°C.

- ATEX Antideflagrantes - Gas

⊕ II 2G Ex d IIB T4

⊕ II 2G Ex d IIB+H2 T4 (con motor Ex d IIC T4)

En versión ATEX estándar, los motores antideflagrantes se entregan sin protección térmica.

Para utilizar con convertidor de frecuencia pedir motores antideflagrantes con protector térmico tipo PTC.

- ATEX Seguridad aumentada - Gas

⊕ II 2G Ex e II T3

- ATEX - Polvo

Partículas en suspensión inflamables y polvo no conductor:

⊕ II 3D Ex tc IIIB T125°C

Polvo conductor:

⊕ II 3D Ex tc IIIC T125°C (con motor IP65)

En versión ATEX estándar, los motores ATEX para polvo se entregan sin protección térmica.

Para utilizar con convertidor de frecuencia pedir motores ATEX para polvo con protector térmico tipo PTC.

Para seleccionar un modelo TGT ATEX deben usarse las curvas THGT, o bien el programa de selección de producto EASYVENT.

Los datos eléctricos de los modelos ATEX pueden variar respecto a los datos indicados en las tablas características.

Consulte la disponibilidad de otras versiones de motores ATEX.

Aplicaciones específicas



CARACTERÍSTICAS TÉCNICAS - 2 polos - 2950 rpm

| Modelo | Potencia motor (kW) | Intensidad nominal motor (A) | | Caudal máximo (m³/h) | Código Camisa corta | Precio camisa corta €/u. | Código Camisa larga | Precio camisa larga €/u. | Grupo producto |
|---------------------|---------------------|------------------------------|-------|----------------------|---------------------|--------------------------|---------------------|--------------------------|----------------|
| | | 230 V | 400 V | | | | | | |
| TGT/2-400-6/-1,1 | 1,1 | 4,1 | 2,3 | 5.350 | G72406011U03 | 1.444,75 | G72406011U23 | 1.541,92 | E04 |
| TGT/2-400-6/-1,5 | 1,5 | 5,5 | 3,1 | 6.980 | G72406015U03 | 1.504,96 | G72406015U23 | 1.602,10 | E04 |
| TGT/2-400-6/-2,2 | 2,2 | 8,0 | 4,6 | 8.930 | G72406022U03 | 1.587,46 | G72406022U23 | 1.684,63 | E04 |
| TGT/2-450-6/-1,5 | 1,5 | | 3,1 | 6.800 | G72456015U03 | 1.547,35 | G72456015U23 | 1.640,18 | E04 |
| TGT/2-450-6/-2,2 | 2,2 | 8,0 | 4,6 | 9.380 | G72456022U03 | 1.628,80 | G72456022U23 | 1.735,07 | E04 |
| TGT/2-450-6/-3 | 3 | 10,3 | 5,9 | 12.270 | G72456030U03 | 1.844,99 | G72456030U23 | 1.951,28 | E04 |
| TGT/2-500-6/-2,2 | 2,2 | 8,0 | 4,6 | 10.160 | G72506022U03 | 1.736,36 | G72506022U23 | 1.857,84 | E04 |
| TGT/2-500-6/-3 | 3 | 10,3 | 5,9 | 11.820 | G72506030U03 | 1.906,69 | G72506030U23 | 2.028,13 | E04 |
| TGT/2-500-6/-4 | 4 | - | 7,6 | 14.680 | G72506040U03 | 1.990,44 | G72506040U23 | 2.111,90 | E04 |
| TGT/2-560-6/-3 | 3 | 10,3 | 5,9 | 13.020 | G72566030U03 | 2.076,71 | G72566030U23 | 2.210,32 | E04 |
| TGT/2-560-6/-4 | 4 | - | 7,6 | 14.310 | G72566040U03 | 2.160,49 | G72566040U23 | 2.294,07 | E04 |
| TGT/2-560-6/-5,5 | 5,5 | - | 10,6 | 18.390 | G72566055U03 | 2.444,29 | G72566055U23 | 2.577,89 | E04 |
| TGT/2-560-6/-7,5 | 7,5 | - | 13,9 | 22.770 | G72566075U03 | 2.616,14 | G72566075U23 | 2.749,74 | E04 |
| TGT/2-560-6/-9,2 | 9,2 | - | 16,6 | 26.320 | G72566092U03 | 3.154,76 | G72566092U23 | 3.288,34 | E04 |
| TGT/2-630-6/-5,5 | 5,5 | - | 10,6 | 19.010 | G72636055U03 | 2.476,25 | G72636055U23 | 2.640,23 | E04 |
| TGT/2-630-6/-7,5 | 7,5 | - | 13,9 | 24.370 | G72636075U03 | 2.675,42 | G72636075U23 | 2.839,39 | E04 |
| TGT/2-630-6/-9,2 | 9,2 | - | 16,6 | 27.210 | G72636092U03 | 3.337,00 | G72636092U23 | 3.537,23 | E04 |
| TGT/2-630-6/-11-L | 11 | - | 18,7 | 31.370 | — | — | G72636110U23 | 3.795,62 | E04 |
| TGT/2-630-6/-15-L | 15 | - | 25,4 | 37.440 | — | — | G72636150U23 | 4.138,04 | E04 |
| TGT/2-630-6/-18,5-L | 18,5 | - | 33,3 | 37.870 | — | — | G72636185U23 | 4.611,72 | E04 |

CARACTERÍSTICAS TÉCNICAS - 4 polos - 1450 rpm

| Modelo | Potencia motor (kW) | Intensidad nominal motor (A) | | Caudal máximo (m³/h) | Código Camisa corta | Precio camisa corta €/u. | Código Camisa larga | Precio camisa larga €/u. | Grupo producto |
|-------------------|---------------------|------------------------------|-------|----------------------|---------------------|--------------------------|---------------------|--------------------------|----------------|
| | | 230 V | 400 V | | | | | | |
| TGT/4-400-6/-0,25 | 0,25 | 1,4 | 0,8 | 4.670 | G74406002U02 | 1.317,39 | G74406002U22 | 1.414,57 | E04 |
| TGT/4-450-6/-0,25 | 0,25 | 1,4 | 0,8 | 4.090 | G74456002U02 | 1.331,89 | G74456002U22 | 1.425,13 | E04 |
| TGT/4-450-6/-0,37 | 0,37 | 1,8 | 1,1 | 6.150 | G74456003U02 | 1.358,54 | G74456003U22 | 1.464,83 | E04 |
| TGT/4-450-6/-0,55 | 0,55 | 2,2 | 1,3 | 7.970 | G74456005U02 | 1.375,82 | G74456005U22 | 1.482,11 | E04 |
| TGT/4-500-6/-0,55 | 0,55 | 2,2 | 1,3 | 8.110 | G74506005U02 | 1.405,49 | G74506005U22 | 1.526,96 | E04 |
| TGT/4-500-6/-0,75 | 0,75 | 2,8 | 1,6 | 9.760 | G74506007U03 | 1.625,26 | G74506007U23 | 1.746,71 | E04 |
| TGT/4-500-6/-1,1 | 1,1 | 4,2 | 2,4 | 10.970 | G74506011U03 | 1.659,03 | G74506011U23 | 1.780,47 | E04 |
| TGT/4-560-6/-0,55 | 0,55 | 2,2 | 1,3 | 8.510 | G74566005U02 | 1.485,91 | G74566005U22 | 1.619,51 | E04 |
| TGT/4-560-6/-0,75 | 0,75 | 2,8 | 1,6 | 9.940 | G74566007U03 | 1.705,67 | G74566007U23 | 1.839,27 | E04 |
| TGT/4-560-6/-1,1 | 1,1 | 4,2 | 2,4 | 12.870 | G74566011U03 | 1.739,42 | G74566011U23 | 1.873,06 | E04 |
| TGT/4-560-6/-1,5 | 1,5 | 5,7 | 3,3 | 15.500 | G74566015U03 | 1.782,56 | G74566015U23 | 1.916,19 | E04 |
| TGT/4-560-6/-2,2 | 2,2 | 8,1 | 4,6 | 16.180 | G74566022U03 | 2.107,39 | G74566022U23 | 2.240,99 | E04 |
| TGT/4-630-6/-0,75 | 0,75 | 2,8 | 1,6 | 10.290 | G74636007U03 | 1.846,99 | G74636007U23 | 2.010,95 | E04 |
| TGT/4-630-6/-1,1 | 1,1 | 4,2 | 2,4 | 13.600 | G74636011U03 | 1.880,71 | G74636011U23 | 2.044,70 | E04 |
| TGT/4-630-6/-1,5 | 1,5 | 5,7 | 3,3 | 16.330 | G74636015U03 | 1.923,91 | G74636015U23 | 2.087,85 | E04 |
| TGT/4-630-6/-2,2 | 2,2 | 8,1 | 4,6 | 20.090 | G74636022U03 | 2.249,48 | G74636022U23 | 2.413,45 | E04 |
| TGT/4-630-6/-3 | 3 | 10,7 | 6,2 | 23.640 | G74636030U03 | 2.461,38 | G74636030U23 | 2.625,35 | E04 |
| TGT/4-710-3/-0,75 | 0,75 | 2,8 | 1,6 | 15.660 | G74713007U03 | 1.987,39 | G74713007U23 | 2.172,63 | E04 |
| TGT/4-710-3/-1,1 | 1,1 | 4,2 | 2,4 | 19.300 | G74713011U03 | 2.038,07 | G74713011U23 | 2.223,32 | E04 |
| TGT/4-710-3/-1,5 | 1,5 | 5,7 | 3,3 | 22.490 | G74713015U03 | 2.079,07 | G74713015U23 | 2.264,30 | E04 |
| TGT/4-710-3/-2,2 | 2,2 | 8,1 | 4,6 | 24.660 | G74713022U03 | 2.290,54 | G74713022U23 | 2.472,23 | E04 |
| TGT/4-710-3/-3 | 3 | 10,7 | 6,2 | 26.630 | G74713030U03 | 2.393,56 | G74713030U23 | 2.575,25 | E04 |
| TGT/4-710-6/-1,1 | 1,1 | 4,2 | 2,4 | 14.320 | G74716011U03 | 2.151,71 | G74716011U23 | 2.336,92 | E04 |
| TGT/4-710-6/-1,5 | 1,5 | 5,7 | 3,3 | 18.570 | G74716015U03 | 2.225,95 | G74716015U23 | 2.411,18 | E04 |
| TGT/4-710-6/-2,2 | 2,2 | 8,1 | 4,6 | 22.270 | G74716022U03 | 2.345,34 | G74716022U23 | 2.527,02 | E04 |
| TGT/4-710-6/-3 | 3 | 10,7 | 6,2 | 27.380 | G74716030U03 | 2.539,59 | G74716030U23 | 2.721,27 | E04 |
| TGT/4-710-6/-4 | 4 | - | 8,1 | 29.930 | G74716040U03 | 2.618,44 | G74716040U23 | 2.803,64 | E04 |

CARACTERÍSTICAS TÉCNICAS - 4 polos - 1450 rpm (Continuación)

| Modelo | Potencia motor (kW) | Intensidad nominal motor (A) | | Caudal máximo (m³/h) | Código Camisa corta | Precio camisa corta €/u. | Código Camisa larga | Precio camisa larga €/u. | Grupo producto |
|--------------------|---------------------|------------------------------|-------|----------------------|---------------------|--------------------------|---------------------|--------------------------|----------------|
| | | 230 V | 400 V | | | | | | |
| TGT/4-800-3/-1,1 | 1,1 | 4,2 | 2,4 | 20.880 | G74803011U03 | 2.158,59 | G74803011U23 | 2.423,11 | E04 |
| TGT/4-800-3/-1,5 | 1,5 | 5,7 | 3,3 | 24.780 | G74803015U03 | 2.227,96 | G74803015U23 | 2.540,55 | E04 |
| TGT/4-800-3/-2,2 | 2,2 | 8,1 | 4,6 | 27.520 | G74803022U03 | 2.351,02 | G74803022U23 | 2.663,64 | E04 |
| TGT/4-800-3/-3 | 3 | 10,7 | 6,2 | 32.050 | G74803030U03 | 2.462,18 | G74803030U23 | 2.774,77 | E04 |
| TGT/4-800-3/-4 | 4 | - | 8,1 | 34.860 | G74803040U03 | 2.629,28 | G74803040U23 | 2.990,00 | E04 |
| TGT/4-800-3/-5,5 | 5,5 | - | 10,5 | 36.280 | G74803055U03 | 2.900,12 | G74803055U23 | 3.260,80 | E04 |
| TGT/4-800-6/-1,5 | 1,5 | 5,7 | 3,3 | 18.940 | G74806015U03 | 2.323,18 | G74806015U23 | 2.611,97 | E04 |
| TGT/4-800-6/-2,2 | 2,2 | 8,1 | 4,6 | 23.430 | G74806022U03 | 2.428,10 | G74806022U23 | 2.740,72 | E04 |
| TGT/4-800-6/-3 | 3 | 10,7 | 6,2 | 29.950 | G74806030U03 | 2.525,70 | G74806030U23 | 2.838,33 | E04 |
| TGT/4-800-6/-4 | 4 | - | 8,1 | 33.230 | G74806040U03 | 2.692,06 | G74806040U23 | 3.052,80 | E04 |
| TGT/4-800-6/-5,5 | 5,5 | - | 10,5 | 36.980 | G74806055U03 | 2.937,59 | G74806055U23 | 3.298,34 | E04 |
| TGT/4-800-6/-7,5 | 7,5 | - | 13,9 | 40.470 | G74806075U03 | 2.954,48 | G74806075U23 | 3.304,74 | E04 |
| TGT/4-800-9/-4 | 4 | - | 8,1 | 24.830 | G74809040U03 | 2.766,54 | G74809040U23 | 3.127,26 | E04 |
| TGT/4-800-9/-5,5 | 5,5 | - | 10,5 | 31.830 | G74809055U03 | 3.013,40 | G74809055U23 | 3.374,14 | E04 |
| TGT/4-800-9/-7,5 | 7,5 | - | 13,9 | 37.910 | G74809075U03 | 3.026,01 | G74809075U23 | 3.376,22 | E04 |
| TGT/4-900-3/-2,2 | 2,2 | 8,1 | 4,6 | 28.080 | G74903022U03 | 2.925,94 | G74903022U43 | 3.277,04 | E04 |
| TGT/4-900-3/-3 | 3 | 10,7 | 6,2 | 35.040 | G74903030U03 | 3.092,29 | G74903030U43 | 3.463,36 | E04 |
| TGT/4-900-3/-4 | 4 | - | 8,1 | 39.260 | G74903040U03 | 3.181,92 | G74903040U43 | 3.563,76 | E04 |
| TGT/4-900-3/-5,5 | 5,5 | - | 10,5 | 42.500 | G74903055U03 | 3.609,10 | G74903055U43 | 4.042,16 | E04 |
| TGT/4-900-3/-7,5 | 7,5 | - | 13,9 | 49.880 | G74903075U03 | 3.798,16 | G74903075U43 | 4.253,92 | E04 |
| TGT/4-900-6/-4 | 4 | - | 8,1 | 29.540 | G74906040U03 | 3.378,73 | G74906040U43 | 3.859,69 | E04 |
| TGT/4-900-6/-5,5 | 5,5 | - | 10,5 | 38.140 | G74906055U03 | 3.805,86 | G74906055U43 | 4.286,80 | E04 |
| TGT/4-900-6/-7,5 | 7,5 | - | 13,9 | 46.530 | G74906075U03 | 3.989,21 | G74906075U43 | 4.456,11 | E04 |
| TGT/4-900-6/-11 | 11 | - | 20,7 | 55.180 | G74906110U03 | 4.795,81 | G74906110U43 | 5.309,47 | E04 |
| TGT/4-900-6/-15 | 15 | - | 28,4 | 56.480 | G74906150U03 | 5.392,22 | G74906150U43 | 5.905,85 | E04 |
| TGT/4-900-9/-5,5 | 5,5 | - | 10,5 | 31.620 | G74909055U03 | 4.005,56 | G74909055U43 | 4.486,54 | E04 |
| TGT/4-900-9/-7,5 | 7,5 | - | 13,9 | 40.930 | G74909075U03 | 4.180,46 | G74909075U43 | 4.647,39 | E04 |
| TGT/4-900-9/-11 | 11 | - | 20,7 | 50.560 | G74909110U03 | 5.006,05 | G74909110U43 | 5.519,66 | E04 |
| TGT/4-900-9/-15 | 15 | - | 28,4 | 57.990 | G74909150U03 | 5.602,36 | G74909150U43 | 6.116,03 | E04 |
| TGT/4-1000-3/-3 | 3 | 10,7 | 6,2 | 38.810 | G74103030U03 | 3.617,29 | G74103030U43 | 4.051,38 | E04 |
| TGT/4-1000-3/-4 | 4 | - | 8,1 | 45.140 | G74103040U03 | 3.700,69 | G74103040U43 | 4.144,75 | E04 |
| TGT/4-1000-3/-5,5 | 5,5 | - | 10,5 | 51.960 | G74103055U03 | 4.127,13 | G74103055U43 | 4.622,41 | E04 |
| TGT/4-1000-3/-7,5 | 7,5 | - | 13,9 | 59.610 | G74103075U03 | 4.280,53 | G74103075U43 | 4.794,22 | E04 |
| TGT/4-1000-3/-11 | 11 | - | 20,7 | 67.400 | G74103110U03 | 4.902,35 | G74103110U43 | 5.490,57 | E04 |
| TGT/4-1000-6/-4 | 4 | - | 8,1 | 32.490 | G74106040U03 | 3.907,48 | G74106040U43 | 4.436,54 | E04 |
| TGT/4-1000-6/-5,5 | 5,5 | - | 10,5 | 41.830 | G74106055U03 | 4.333,94 | G74106055U43 | 4.863,00 | E04 |
| TGT/4-1000-6/-7,5 | 7,5 | - | 13,9 | 50.090 | G74106075U03 | 4.481,30 | G74106075U43 | 5.041,67 | E04 |
| TGT/4-1000-6/-11 | 11 | - | 20,7 | 63.320 | G74106110U03 | 5.103,07 | G74106110U43 | 5.663,40 | E04 |
| TGT/4-1000-6/-15 | 15 | - | 28,4 | 71.240 | G74106150U03 | 5.639,22 | G74106150U43 | 6.199,59 | E04 |
| TGT/4-1000-6/-18,5 | 18,5 | - | 34,9 | 74.240 | G74106185U03 | 6.244,06 | G74106185U43 | 6.827,75 | E04 |
| TGT/4-1000-6/-22 | 22 | - | 40,9 | 78.210 | G74106220U03 | 6.797,04 | G74106220U43 | 7.380,69 | E04 |
| TGT/4-1000-9/-5,5 | 5,5 | - | 10,5 | 32.390 | G74109055U03 | 4.541,99 | G74109055U43 | 5.071,05 | E04 |
| TGT/4-1000-9/-7,5 | 7,5 | - | 13,9 | 39.920 | G74109075U03 | 4.683,33 | G74109075U43 | 5.243,63 | E04 |
| TGT/4-1000-9/-11 | 11 | - | 20,7 | 55.140 | G74109110U03 | 5.305,08 | G74109110U43 | 5.865,39 | E04 |
| TGT/4-1000-9/-15 | 15 | - | 28,4 | 66.300 | G74109150U03 | 5.840,93 | G74109150U43 | 6.401,31 | E04 |
| TGT/4-1000-9/-18,5 | 18,5 | - | 34,9 | 71.180 | G74109185U03 | 6.445,92 | G74109185U43 | 7.029,60 | E04 |
| TGT/4-1000-9/-22 | 22 | - | 40,9 | 77.850 | G74109220U03 | 6.995,94 | G74109220U43 | 7.579,64 | E04 |
| TGT/4-1120-3/-4 | 4 | - | 8,1 | 50.910 | G74113040U03 | 4.084,08 | G74113040U43 | 4.548,23 | E04 |
| TGT/4-1120-3/-5,5 | 5,5 | - | 10,5 | 56.800 | G74113055U03 | 4.510,53 | G74113055U43 | 5.025,91 | E04 |
| TGT/4-1120-3/-7,5 | 7,5 | - | 13,9 | 69.940 | G74113075U03 | 4.652,75 | G74113075U43 | 5.185,95 | E04 |
| TGT/4-1120-3/-11 | 11 | - | 20,7 | 79.570 | G74113110U03 | 5.274,52 | G74113110U43 | 5.882,33 | E04 |
| TGT/4-1120-3/-15 | 15 | - | 28,4 | 91.680 | G74113150U03 | 5.810,40 | G74113150U43 | 6.418,23 | E04 |
| TGT/4-1120-3/-18,5 | 18,5 | - | 34,9 | 95.980 | G74113185U03 | 6.415,37 | G74113185U43 | 7.046,54 | E04 |

CARACTERÍSTICAS TÉCNICAS - 4 polos - 1450 rpm (Continuación)

| Modelo | Potencia motor (kW) | Intensidad nominal motor (A) | | Caudal máximo (m³/h) | Código Camisa corta | Precio camisa corta €/u. | Código Camisa larga | Precio camisa larga €/u. | Grupo producto |
|---------------------|---------------------|------------------------------|-------|----------------------|---------------------|--------------------------|---------------------|--------------------------|----------------|
| | | 230 V | 400 V | | | | | | |
| TGT/4-1120-6/-11 | 11 | - | 20,7 | 66.580 | G74116110U03 | 5.596,02 | G74116110U43 | 6.249,71 | E04 |
| TGT/4-1120-6/-15 | 15 | - | 28,4 | 82.130 | G74116150U03 | 6.132,14 | G74116150U43 | 6.785,92 | E04 |
| TGT/4-1120-6/-18,5 | 18,5 | - | 34,9 | 87.400 | G74116185U03 | 6.736,99 | G74116185U43 | 7.414,06 | E04 |
| TGT/4-1120-6/-22 | 22 | - | 40,9 | 93.950 | G74116220U03 | 7.289,98 | G74116220U43 | 7.967,03 | E04 |
| TGT/4-1120-6/-30 | 30 | - | 54,6 | 109.450 | G74116300U03 | 8.517,72 | G74116300U43 | 9.329,79 | E04 |
| TGT/4-1120-9/-11 | 11 | - | 20,7 | 56.430 | G74119110U03 | 5.917,77 | G74119110U43 | 6.571,45 | E04 |
| TGT/4-1120-9/-15 | 15 | - | 28,4 | 70.740 | G74119150U03 | 6.453,64 | G74119150U43 | 7.107,38 | E04 |
| TGT/4-1120-9/-18,5 | 18,5 | - | 34,9 | 76.450 | G74119185U03 | 7.058,61 | G74119185U43 | 7.735,70 | E04 |
| TGT/4-1120-9/-22 | 22 | - | 40,9 | 87.390 | G74119220U03 | 7.618,06 | G74119220U43 | 8.356,67 | E04 |
| TGT/4-1120-9/-30 | 30 | - | 54,6 | 94.440 | G74119300U03 | 8.845,81 | G74119300U43 | 9.516,87 | E04 |
| TGT/4-1120-9/-37 | 37 | - | 65,6 | 108.370 | G74119370U03 | 10.641,60 | G74119370U43 | 11.312,67 | E04 |
| TGT/4-1120-9/-45 | 45 | - | 79,4 | 114.620 | G74119450U03 | 12.070,76 | G74119450U43 | 12.741,84 | E04 |
| TGT/4-1250-3/-7,5 | 7,5 | - | 13,9 | 70.700 | G74123075U03 | 5.024,93 | G74123075U43 | 5.577,67 | E04 |
| TGT/4-1250-3/-11 | 11 | - | 20,7 | 84.200 | G74123110U03 | 5.646,69 | G74123110U43 | 6.267,83 | E04 |
| TGT/4-1250-3/-15 | 15 | - | 28,4 | 100.000 | G74123150U03 | 6.183,88 | G74123150U43 | 6.864,12 | E04 |
| TGT/4-1250-3/-18,5 | 18,5 | - | 34,9 | 105.000 | G74123185U03 | 6.788,59 | G74123185U43 | 7.535,34 | E04 |
| TGT/4-1250-3/-22 | 22 | - | 40,9 | 115.000 | G74123220U03 | 7.348,04 | G74123220U43 | 8.038,86 | E04 |
| TGT/4-1250-3/-30 | 30 | - | 54,6 | 128.600 | G74123300U03 | 8.575,75 | G74123300U43 | 9.266,59 | E04 |
| TGT/4-1250-6/-11 | 11 | - | 21,7 | 68.000 | G74126110U03 | 6.183,88 | G74126110U43 | 6.864,10 | E04 |
| TGT/4-1250-6/-15 | 15 | - | 28,4 | 84.600 | G74126150U03 | 6.625,07 | G74126150U43 | 7.372,21 | E04 |
| TGT/4-1250-6/-18,5 | 18,5 | - | 34,9 | 92.000 | G74126185U03 | 7.229,77 | G74126185U43 | 8.000,22 | E04 |
| TGT/4-1250-6/-22 | 22 | - | 40,9 | 99.700 | G74126220U03 | 7.789,23 | G74126220U43 | 8.583,01 | E04 |
| TGT/4-1250-6/-30 | 30 | - | 54,6 | 122.200 | G74126300U03 | 9.016,98 | G74126300U43 | 9.834,13 | E04 |
| TGT/4-1250-6/-37 | 37 | - | 65,6 | 133.900 | G74126370U03 | 10.812,76 | G74126370U43 | 11.653,25 | E04 |
| TGT/4-1250-6/-45 | 45 | - | 79,4 | 141.600 | G74126450U03 | 12.241,92 | G74126450U43 | 13.082,46 | E04 |
| TGT/4-1250-9/-15 | 15 | - | 28,4 | 66.300 | G74129150U03 | 7.066,34 | G74129150U43 | 7.813,45 | E04 |
| TGT/4-1250-9/-18,5 | 18,5 | - | 34,9 | 76.500 | G74129185U03 | 7.671,03 | G74129185U43 | 8.441,51 | E04 |
| TGT/4-1250-9/-22 | 22 | - | 40,9 | 84.640 | G74129220U03 | 8.230,48 | G74129220U43 | 9.024,33 | E04 |
| TGT/4-1250-9/-30 | 30 | - | 54,6 | 100.300 | G74129300U03 | 9.458,21 | G74129300U43 | 10.275,39 | E04 |
| TGT/4-1250-9/-37 | 37 | - | 65,6 | 119.040 | G74129370U03 | 11.253,97 | G74129370U43 | 12.094,53 | E04 |
| TGT/4-1250-9/-45 | 45 | - | 79,4 | 135.070 | G74129450U03 | 12.737,53 | G74129450U43 | 13.578,05 | E04 |
| TGT/4-1250-12/-18,5 | 18,5 | - | 34,9 | 69.880 | G741212185U03 | 8.551,78 | G741212185U43 | 9.150,39 | E04 |
| TGT/4-1250-12/-22 | 22 | - | 40,9 | 75.850 | G741212220U03 | 8.816,25 | G741212220U43 | 9.621,99 | E04 |
| TGT/4-1250-12/-30 | 30 | - | 54,6 | 93.420 | G741212300U03 | 10.062,41 | G741212300U43 | 10.891,83 | E04 |
| TGT/4-1250-12/-37 | 37 | - | 65,6 | 102.300 | G741212370U03 | 11.885,10 | G741212370U43 | 12.738,27 | E04 |
| TGT/4-1250-12/-45 | 45 | - | 79,4 | 119.830 | G741212450U03 | 13.390,89 | G741212450U43 | 14.244,04 | E04 |
| TGT/4-1257-12/-55 | 55 | - | 96,9 | 135.270 | G741212550U03 | 15.801,26 | G741212550U43 | 16.749,32 | E04 |
| TGT/4-1257-12/-75 | 75 | - | 130 | 151.640 | G741212750U03 | 20.383,63 | G741212750U43 | 21.606,65 | E04 |
| TGT/4-1409-3/-18,5 | 18,5 | - | 34,9 | 105.530 | G7414903185U33 | 9.492,01 | G7414903185U23 | 11.041,49 | E04 |
| TGT/4-1409-3/-22 | 22 | - | 40,9 | 113.890 | G7414903220U33 | 9.824,57 | G7414903220U23 | 11.374,06 | E04 |
| TGT/4-1409-3/-30 | 30 | - | 54,6 | 130.110 | G7414903300U33 | 11.265,67 | G7414903300U23 | 12.815,13 | E04 |
| TGT/4-1409-3/-37 | 37 | - | 65,6 | 145.510 | G7414903370U33 | 12.283,71 | G7414903370U23 | 13.833,18 | E04 |
| TGT/4-1409-3/-45 | 45 | - | 79,4 | 159.141 | G7414903450U33 | 13.126,47 | G7414903450U23 | 14.675,96 | E04 |
| TGT/4-1409-3/-55 | 55 | - | 96,9 | 174.100 | G7414903550U33 | 15.711,15 | G7414903550U23 | 17.260,61 | E04 |
| TGT/4-1409-3/-75 | 75 | - | 130 | 181.370 | G7414903750U33 | 20.514,04 | G7414903750U23 | 22.063,51 | E04 |
| TGT/4-1409-6/-30 | 30 | - | 54,6 | 106.150 | G7414906300U33 | 11.831,64 | G7414906300U23 | 13.381,10 | E04 |
| TGT/4-1409-6/-37 | 37 | - | 65,6 | 117.000 | G7414906370U33 | 12.849,66 | G7414906370U23 | 14.399,13 | E04 |
| TGT/4-1409-6/-45 | 45 | - | 79,4 | 138.250 | G7414906450U33 | 13.692,41 | G7414906450U23 | 15.241,90 | E04 |
| TGT/4-1409-6/-55 | 55 | - | 96,9 | 145.560 | G7414906550U33 | 16.277,11 | G7414906550U23 | 17.826,57 | E04 |
| TGT/4-1409-6/-75 | 75 | - | 130 | 177.660 | G7414906750U33 | 21.079,98 | G7414906750U23 | 22.629,44 | E04 |
| TGT/4-1409-6/-90 | 90 | - | 158 | 196.340 | G7414906900U33 | 23.106,52 | G7414906900U23 | 24.656,00 | E04 |
| TGT/4-1409-6/-110 | 110 | - | 192 | 214.970 | G7414906111U33 | 25.425,56 | G7414906111U23 | 26.975,03 | E04 |

CARACTERÍSTICAS TÉCNICAS - 4 polos - 1450 rpm (Continuación)

| Modelo | Potencia motor (kW) | Intensidad nominal motor (A) | | Caudal máximo (m³/h) | Código Camisa corta | Precio camisa corta €/u. | Código Camisa larga | Precio camisa larga €/u. | Grupo producto |
|--------------------|---------------------|------------------------------|-------|----------------------|---------------------|--------------------------|---------------------|--------------------------|----------------|
| | | 230 V | 400 V | | | | | | |
| TGT/4-1409-9/-55 | 55 | - | 96,9 | 135.940 | G7414909550U33 | 16.848,00 | G7414909550U23 | 18.397,48 | E04 |
| TGT/4-1409-9/-75 | 75 | - | 130 | 167.350 | G7414909750U33 | 21.650,91 | G7414909750U23 | 23.200,36 | E04 |
| TGT/4-1409-9/-90 | 90 | - | 158 | 187.100 | G7414909900U33 | 23.677,43 | G7414909900U23 | 25.226,93 | E04 |
| TGT/4-1409-9/-110 | 110 | - | 192 | 205.890 | G7414909111U33 | 25.996,48 | G7414909111U23 | 27.545,96 | E04 |
| TGT/4-1409-9/-132 | 132 | - | 230 | 223.970 | G7414909133U33 | 29.314,73 | G7414909133U23 | 30.864,20 | E04 |
| TGT/4-1409-9/-160 | 160 | - | 275 | 245.100 | G7414909161U33 | 31.749,99 | G7414909161U23 | 33.299,48 | E04 |
| TGT/4-1409-12/-75 | 75 | - | 130 | 134.080 | G74149012750U33 | 22.221,82 | G74149012750U23 | 23.771,28 | E04 |
| TGT/4-1409-12/-90 | 90 | - | 158 | 158.040 | G74149012900U33 | 24.248,37 | G74149012900U23 | 25.797,85 | E04 |
| TGT/4-1409-12/-110 | 110 | - | 192 | 181.610 | G74149012111U33 | 26.567,39 | G74149012111U23 | 28.116,88 | E04 |
| TGT/4-1409-12/-132 | 132 | - | 230 | 205.410 | G74149012133U33 | 29.885,62 | G74149012133U23 | 31.435,10 | E04 |
| TGT/4-1409-12/-160 | 160 | - | 275 | 229.940 | G74149012161U33 | 32.320,91 | G74149012161U23 | 33.870,39 | E04 |
| TGT/4-1609-3/-37 | 37 | - | 65,6 | 182.250 | G7416903370U33 | 12.795,00 | G7416903370U23 | 14.543,21 | E04 |
| TGT/4-1609-3/-45 | 45 | - | 79,4 | 193.710 | G7416903450U33 | 13.637,80 | G7416903450U23 | 15.385,96 | E04 |
| TGT/4-1609-3/-55 | 55 | - | 96,9 | 215.060 | G7416903550U33 | 16.222,48 | G7416903550U23 | 17.970,61 | E04 |
| TGT/4-1609-3/-75 | 75 | - | 130 | 234.820 | G7416903750U33 | 21.025,38 | G7416903750U23 | 22.773,52 | E04 |
| TGT/4-1609-3/-90 | 90 | - | 158 | 253.140 | G7416903900U33 | 23.051,92 | G7416903900U23 | 24.800,08 | E04 |
| TGT/4-1609-3/-110 | 110 | - | 192 | 271.580 | G7416903111U33 | 25.370,93 | G7416903111U23 | 27.119,12 | E04 |
| TGT/4-1609-3/-132 | 132 | - | 230 | 281.750 | G7416903133U33 | 28.689,19 | G7416903133U23 | 30.437,33 | E04 |
| TGT/4-1609-6/-55 | 55 | - | 96,9 | 180.200 | G7416906550U33 | 16.788,44 | G7416906550U23 | 18.536,59 | E04 |
| TGT/4-1609-6/-75 | 75 | - | 130 | 210.380 | G7416906750U33 | 21.591,30 | G7416906750U23 | 23.339,45 | E04 |
| TGT/4-1609-6/-90 | 90 | - | 158 | 225.100 | G7416906900U33 | 23.617,88 | G7416906900U23 | 25.366,03 | E04 |
| TGT/4-1609-6/-110 | 110 | - | 192 | 253.420 | G7416906111U33 | 25.936,90 | G7416906111U23 | 27.685,03 | E04 |
| TGT/4-1609-6/-132 | 132 | - | 230 | 266.820 | G7416906133U33 | 29.255,13 | G7416906133U23 | 31.003,28 | E04 |
| TGT/4-1609-6/-160 | 160 | - | 275 | 292.980 | G7416906161U33 | 31.690,44 | G7416906161U23 | 33.438,57 | E04 |
| TGT/4-1609-6/-185 | 185 | - | 318 | 317.670 | G7416906186U33 | 39.653,75 | G7416906186U23 | 41.401,91 | E04 |
| TGT/4-1609-6/-200 | 200 | - | 343 | 329.520 | G7416906201U33 | 40.657,53 | G7416906201U23 | 42.405,69 | E04 |
| TGT/4-1609-9/-75 | 75 | - | 130 | 180.640 | G7416909750U33 | 22.162,23 | G7416909750U23 | 23.910,38 | E04 |
| TGT/4-1609-9/-90 | 90 | - | 158 | 197.870 | G7416909900U33 | 24.188,80 | G7416909900U23 | 25.936,96 | E04 |
| TGT/4-1609-9/-110 | 110 | - | 192 | 214.830 | G7416909111U33 | 26.507,84 | G7416909111U23 | 28.255,96 | E04 |
| TGT/4-1609-9/-132 | 132 | - | 230 | 247.880 | G7416909133U33 | 29.826,08 | G7416909133U23 | 31.574,19 | E04 |
| TGT/4-1609-9/-160 | 160 | - | 275 | 264.070 | G7416909161U33 | 32.261,33 | G7416909161U23 | 34.009,47 | E04 |
| TGT/4-1609-9/-185 | 185 | - | 318 | 295.870 | G7416909186U33 | 40.224,66 | G7416909186U23 | 41.972,82 | E04 |
| TGT/4-1609-9/-200 | 200 | - | 343 | 311.270 | G7416909201U33 | 41.228,44 | G7416909201U23 | 42.976,59 | E04 |
| TGT/4-1609-12/-90 | 90 | - | 158 | 171.310 | G74169012900U33 | 24.759,70 | G74169012900U23 | 26.507,88 | E04 |
| TGT/4-1609-12/-110 | 110 | - | 192 | 189.730 | G74169012111U33 | 27.078,74 | G74169012111U23 | 28.826,90 | E04 |
| TGT/4-1609-12/-132 | 132 | - | 230 | 208.010 | G74169012133U33 | 30.396,99 | G74169012133U23 | 32.145,11 | E04 |
| TGT/4-1609-12/-160 | 160 | - | 275 | 244.160 | G74169012161U33 | 32.832,27 | G74169012161U23 | 34.580,43 | E04 |
| TGT/4-1609-12/-185 | 185 | - | 318 | 261.990 | G74169012186U33 | 40.795,60 | G74169012186U23 | 42.543,75 | E04 |
| TGT/4-1609-12/-200 | 200 | - | 343 | 279.660 | G74169012201U33 | 41.799,36 | G74169012201U23 | 43.547,53 | E04 |

CARACTERÍSTICAS TÉCNICAS - 6 polos - 950 rpm

| Modelo | Potencia motor (kW) | Intensidad nominal motor (A) | | Caudal máximo (m³/h) | Código Camisa corta | Precio camisa corta €/u. | Código Camisa larga | Precio camisa larga €/u. | Grupo producto |
|-------------------|---------------------|------------------------------|-------|----------------------|---------------------|--------------------------|---------------------|--------------------------|----------------|
| | | 230 V | 400 V | | | | | | |
| TGT/6-560-6/-0,37 | 0,37 | 1,8 | 1,1 | 8.770 | G76566003U02 | 1.842,00 | G76566003U22 | 1.971,97 | E04 |
| TGT/6-560-6/-0,55 | 0,55 | 2,6 | 1,5 | 10.000 | G76566005U02 | 1.898,51 | G76566005U22 | 2.040,97 | E04 |
| TGT/6-630-6/-0,37 | 0,37 | 1,8 | 1,1 | 10.219 | G76636003U02 | 1.988,77 | G76636003U22 | 2.170,12 | E04 |
| TGT/6-630-6/-0,55 | 0,55 | 2,6 | 1,5 | 11.620 | G76636005U02 | 2.046,65 | G76636005U22 | 2.239,01 | E04 |
| TGT/6-630-6/-0,75 | 0,75 | 3,4 | 2,0 | 13.340 | G76636007U03 | 2.199,87 | G76636007U23 | 2.392,27 | E04 |
| TGT/6-630-6/-1,1 | 1,1 | 4,8 | 2,8 | 15.300 | G76636011U03 | 2.407,63 | G76636011U23 | 2.548,09 | E04 |
| TGT/6-710-3/-0,55 | 0,55 | 2,6 | 1,5 | 15.440 | G76713005U02 | 1.978,06 | G76713005U22 | 2.218,56 | E04 |
| TGT/6-710-3/-0,75 | 0,75 | 3,4 | 2,0 | 17.150 | G76713007U03 | 2.097,82 | G76713007U23 | 2.338,39 | E04 |
| TGT/6-710-6/-0,55 | 0,55 | 2,6 | 1,5 | 13.120 | G76716005U02 | 2.084,19 | G76716005U22 | 2.324,70 | E04 |
| TGT/6-710-6/-0,75 | 0,75 | 3,4 | 2,0 | 16.080 | G76716007U03 | 2.204,01 | G76716007U23 | 2.444,54 | E04 |
| TGT/6-710-6/-1,1 | 1,1 | 4,8 | 2,8 | 19.490 | G76716011U03 | 2.311,79 | G76716011U23 | 2.600,35 | E04 |
| TGT/6-800-3/-0,55 | 0,55 | 2,6 | 1,5 | 16.840 | G76803005U02 | 2.222,10 | G76803005U22 | 2.488,78 | E04 |
| TGT/6-800-3/-0,75 | 0,75 | 3,4 | 2,0 | 19.650 | G76803007U03 | 2.235,84 | G76803007U23 | 2.500,34 | E04 |
| TGT/6-800-3/-1,1 | 1,1 | 4,8 | 2,8 | 24.140 | G76803011U03 | 2.347,09 | G76803011U23 | 2.611,66 | E04 |
| TGT/6-800-6/-0,55 | 0,55 | 2,6 | 1,5 | 14.960 | G76806005U02 | 2.279,76 | G76806005U22 | 2.530,50 | E04 |
| TGT/6-800-6/-0,75 | 0,75 | 3,4 | 2,0 | 17.830 | G76806007U03 | 2.303,36 | G76806007U23 | 2.567,90 | E04 |
| TGT/6-800-6/-1,1 | 1,1 | 4,8 | 2,8 | 20.370 | G76806011U03 | 2.416,66 | G76806011U23 | 2.705,23 | E04 |
| TGT/6-800-6/-1,5 | 1,5 | 6,5 | 3,7 | 24.890 | G76806015U03 | 2.554,43 | G76806015U23 | 2.842,99 | E04 |
| TGT/6-800-6/-2,2 | 2,2 | 9,2 | 5,3 | 27.480 | G76806022U03 | 2.655,91 | G76806022U23 | 2.968,54 | E04 |
| TGT/6-800-9/-1,1 | 1,1 | 4,8 | 2,8 | 15.080 | G76809011U03 | 2.477,81 | G76809011U23 | 2.766,36 | E04 |
| TGT/6-800-9/-1,5 | 1,5 | 6,5 | 3,7 | 20.530 | G76809015U03 | 2.625,69 | G76809015U23 | 2.914,29 | E04 |
| TGT/6-800-9/-2,2 | 2,2 | 9,2 | 5,3 | 25.020 | G76809022U03 | 2.730,91 | G76809022U23 | 3.043,48 | E04 |
| TGT/6-800-9/-3 | 3 | 12,7 | 7,3 | 26.840 | G76809030U03 | 2.950,39 | G76809030U23 | 3.263,05 | E04 |
| TGT/6-900-3/-1,5 | 1,5 | 6,5 | 3,7 | 27.470 | G76903015U03 | 2.883,44 | G76903015U43 | 3.200,63 | E04 |
| TGT/6-900-3/-2,2 | 2,2 | 9,2 | 5,3 | 31.530 | G76903022U03 | 3.053,57 | G76903022U43 | 3.389,48 | E04 |
| TGT/6-900-6/-1,5 | 1,5 | 6,45 | 3,7 | 22.940 | G76906015U03 | 3.145,60 | G76906015U43 | 3.578,51 | E04 |
| TGT/6-900-6/-2,2 | 2,2 | 9,22 | 5,3 | 28.860 | G76906022U03 | 3.317,43 | G76906022U43 | 3.750,35 | E04 |
| TGT/6-900-6/-3 | 3 | 12,7 | 7,3 | 35.490 | G76906030U03 | 3.704,72 | G76906030U43 | 4.185,70 | E04 |
| TGT/6-900-9/-1,5 | 1,5 | 6,5 | 3,7 | 19.260 | G76909015U03 | 3.379,60 | G76909015U43 | 3.812,46 | E04 |
| TGT/6-900-9/-2,2 | 2,2 | 9,2 | 5,3 | 26.830 | G76909022U03 | 3.551,38 | G76909022U43 | 3.984,28 | E04 |
| TGT/6-900-9/-3 | 3 | 12,7 | 7,3 | 32.900 | G76909030U03 | 3.938,67 | G76909030U43 | 4.419,63 | E04 |
| TGT/6-1000-3/-1,5 | 1,5 | 6,5 | 3,7 | 30.050 | G76103015U03 | 3.331,67 | G76103015U43 | 3.731,49 | E04 |
| TGT/6-1000-3/-2,2 | 2,2 | 9,2 | 5,3 | 37.560 | G76103022U03 | 3.539,06 | G76103022U43 | 3.963,73 | E04 |
| TGT/6-1000-3/-3 | 3 | 12,7 | 7,3 | 42.190 | G76103030U03 | 3.812,45 | G76103030U43 | 4.269,91 | E04 |
| TGT/6-1000-3/-4 | 4 | - | 9,5 | 45.430 | G76103040U03 | 4.125,04 | G76103040U43 | 4.620,03 | E04 |
| TGT/6-1000-6/-1,5 | 1,5 | 6,5 | 3,7 | 24.850 | G76106015U03 | 3.573,45 | G76106015U43 | 4.102,49 | E04 |
| TGT/6-1000-6/-2,2 | 2,2 | 9,2 | 5,3 | 30.260 | G76106022U03 | 3.782,87 | G76106022U43 | 4.311,93 | E04 |
| TGT/6-1000-6/-3 | 3 | 12,7 | 7,3 | 38.790 | G76106030U03 | 4.058,93 | G76106030U43 | 4.587,97 | E04 |
| TGT/6-1000-6/-4 | 4 | - | 9,5 | 43.090 | G76106040U03 | 4.374,58 | G76106040U43 | 4.903,66 | E04 |
| TGT/6-1000-6/-5,5 | 5,5 | - | 12,8 | 50.170 | G76106055U03 | 4.795,46 | G76106055U43 | 5.348,54 | E04 |
| TGT/6-1000-6/-7,5 | 7,5 | - | 14,7 | 52.300 | G76106075U03 | 5.336,90 | G76106075U43 | 5.977,31 | E04 |
| TGT/6-1000-9/-2,2 | 2,2 | 9,2 | 5,3 | 27.250 | G76109022U03 | 4.049,09 | G76109022U43 | 4.578,12 | E04 |
| TGT/6-1000-9/-3 | 3 | 12,7 | 7,3 | 32.590 | G76109030U03 | 4.268,69 | G76109030U43 | 4.797,77 | E04 |
| TGT/6-1000-9/-4 | 4 | - | 9,5 | 37.720 | G76109040U03 | 4.541,66 | G76109040U43 | 5.070,76 | E04 |
| TGT/6-1000-9/-5,5 | 5,5 | - | 12,8 | 49.490 | G76109055U03 | 4.865,26 | G76109055U43 | 5.418,35 | E04 |
| TGT/6-1000-9/-7,5 | 7,5 | - | 14,7 | 55.620 | G76109075U03 | 5.424,57 | G76109075U43 | 6.075,52 | E04 |
| TGT/6-1120-3/-1,5 | 1,5 | 6,5 | 3,7 | 34.520 | G76113015U03 | 3.777,38 | G76113015U43 | 4.230,69 | E04 |
| TGT/6-1120-3/-2,2 | 2,2 | 9,2 | 5,2 | 44.390 | G76113022U03 | 4.164,06 | G76113022U43 | 4.663,75 | E04 |
| TGT/6-1120-3/-3 | 3 | 12,7 | 6,9 | 50.810 | G76113030U03 | 4.450,31 | G76113030U43 | 4.984,36 | E04 |
| TGT/6-1120-3/-4 | 4 | - | 8,1 | 58.640 | G76113040U03 | 4.669,74 | G76113040U43 | 5.230,12 | E04 |
| TGT/6-1120-3/-5,5 | 5,5 | - | 12,5 | 64.760 | G76113055U03 | 4.996,55 | G76113055U43 | 5.596,14 | E04 |

CARACTERÍSTICAS TÉCNICAS - 6 polos - 950 rpm (Continuación)

| Modelo | Potencia motor (kW) | Intensidad nominal motor (A) | | Caudal máximo (m³/h) | Código Camisa corta | Precio camisa corta €/u. | Código Camisa larga | Precio camisa larga €/u. | Grupo producto |
|---------------------|---------------------|------------------------------|-------|----------------------|---------------------|--------------------------|---------------------|--------------------------|----------------|
| | | 230 V | 400 V | | | | | | |
| TGT/6-1120-6/-3 | 3 | 12,7 | 6,9 | 40.600 | G76116030U03 | 4.809,94 | G76116030U43 | 5.387,13 | E04 |
| TGT/6-1120-6/-4 | 4 | - | 8,1 | 48.870 | G76116040U03 | 5.034,33 | G76116040U43 | 5.638,48 | E04 |
| TGT/6-1120-6/-5,5 | 5,5 | - | 12,5 | 58.370 | G76116055U03 | 5.375,43 | G76116055U43 | 6.020,49 | E04 |
| TGT/6-1120-6/-7,5 | 7,5 | - | 14,7 | 66.870 | G76116075U03 | 5.774,40 | G76116075U43 | 6.467,33 | E04 |
| TGT/6-1120-6/-11 | 11 | - | 21,5 | 72.880 | G76116110U03 | 6.278,35 | G76116110U43 | 7.031,74 | E04 |
| TGT/6-1120-9/-3 | 3 | 12,7 | 6,9 | 32.460 | G76119030U03 | 5.087,96 | G76119030U43 | 5.698,51 | E04 |
| TGT/6-1120-9/-4 | 4 | - | 8,1 | 38.900 | G76119040U03 | 5.345,79 | G76119040U43 | 5.987,32 | E04 |
| TGT/6-1120-9/-5,5 | 5,5 | - | 12,5 | 47.990 | G76119055U03 | 5.641,33 | G76119055U43 | 6.318,31 | E04 |
| TGT/6-1120-9/-7,5 | 7,5 | - | 14,7 | 57.430 | G76119075U03 | 6.161,46 | G76119075U43 | 6.900,80 | E04 |
| TGT/6-1120-9/-11 | 11 | - | 21,5 | 70.810 | G76119110U03 | 6.920,53 | G76119110U43 | 7.751,03 | E04 |
| TGT/6-1120-9/-15 | 15 | - | 30,4 | 78.520 | G76119150U03 | 8.209,37 | G76119150U43 | 9.194,52 | E04 |
| TGT/6-1250-3/-2,2 | 2,2 | 9,2 | 5,3 | 39.240 | G76123022U03 | 4.737,17 | G76123022U43 | 5.305,62 | E04 |
| TGT/6-1250-3/-3 | 3 | 12,7 | 7,3 | 52.660 | G76123030U03 | 5.019,67 | G76123030U43 | 5.622,01 | E04 |
| TGT/6-1250-3/-4 | 4 | - | 9,5 | 59.500 | G76123040U03 | 5.215,67 | G76123040U43 | 5.841,53 | E04 |
| TGT/6-1250-3/-5,5 | 5,5 | - | 12,8 | 69.100 | G76123055U03 | 5.552,46 | G76123055U43 | 6.218,78 | E04 |
| TGT/6-1250-3/-7,5 | 7,5 | - | 14,7 | 76.000 | G76123075U03 | 6.054,04 | G76123075U43 | 6.780,51 | E04 |
| TGT/6-1250-3/-11 | 11 | - | 21,5 | 81.600 | G76123110U03 | 6.772,73 | G76123110U43 | 7.585,46 | E04 |
| TGT/6-1250-6/-4 | 4 | - | 9,5 | 40.090 | G76126040U03 | 5.349,34 | G76126040U43 | 6.118,88 | E04 |
| TGT/6-1250-6/-5,5 | 5,5 | - | 12,8 | 63.600 | G76126055U03 | 5.672,73 | G76126055U43 | 6.442,28 | E04 |
| TGT/6-1250-6/-7,5 | 7,5 | - | 14,7 | 75.590 | G76126075U03 | 6.208,68 | G76126075U43 | 6.955,81 | E04 |
| TGT/6-1250-6/-11 | 11 | - | 21,5 | 88.480 | G76126110U03 | 6.815,12 | G76126110U43 | 7.608,96 | E04 |
| TGT/6-1250-6/-15 | 15 | - | 30,4 | 101.000 | G76126150U03 | 8.338,63 | G76126150U43 | 9.155,77 | E04 |
| TGT/6-1250-9/-5,5 | 5,5 | - | 12,8 | 54.570 | G76129055U03 | 6.373,55 | G76129055U43 | 7.143,09 | E04 |
| TGT/6-1250-9/-7,5 | 7,5 | - | 14,7 | 66.000 | G76129075U03 | 6.681,35 | G76129075U43 | 7.428,50 | E04 |
| TGT/6-1250-9/-11 | 11 | - | 21,5 | 77.000 | G76129110U03 | 7.365,44 | G76129110U43 | 8.159,25 | E04 |
| TGT/6-1250-9/-15 | 15 | - | 30,4 | 94.150 | G76129150U03 | 8.652,42 | G76129150U43 | 9.469,60 | E04 |
| TGT/6-1250-9/-18,5 | 18,5 | - | 37,3 | 103.600 | G76129185U03 | 9.484,75 | G76129185U43 | 10.301,92 | E04 |
| TGT/6-1250-9/-22 | 22 | - | 43 | 108.240 | G76129220U03 | 10.866,94 | G76129220U43 | 11.684,16 | E04 |
| TGT/6-1409-3/-7,5 | 7,5 | - | 14,7 | 81.110 | G7614903075U33 | 8.346,03 | G7614903075U23 | 9.895,49 | E04 |
| TGT/6-1409-3/-11 | 11 | - | 21,5 | 96.680 | G7614903110U33 | 8.944,52 | G7614903110U23 | 10.493,99 | E04 |
| TGT/6-1409-3/-15 | 15 | - | 30,4 | 110.880 | G7614903150U33 | 9.711,17 | G7614903150U23 | 11.260,65 | E04 |
| TGT/6-1409-3/-18,5 | 18,5 | - | 37,3 | 116.030 | G7614903185U33 | 10.648,38 | G7614903185U23 | 12.197,84 | E04 |
| TGT/6-1409-6/-11 | 11 | - | 21,5 | 77.740 | G7614906110U33 | 9.510,49 | G7614906110U23 | 11.059,95 | E04 |
| TGT/6-1409-6/-15 | 15 | - | 30,4 | 98.700 | G7614906150U33 | 10.277,12 | G7614906150U23 | 11.826,60 | E04 |
| TGT/6-1409-6/-18,5 | 18,5 | - | 37,3 | 105.260 | G7614906185U33 | 11.214,32 | G7614906185U23 | 12.763,81 | E04 |
| TGT/6-1409-6/-22 | 22 | - | 43 | 118.040 | G7614906220U33 | 11.742,66 | G7614906220U23 | 13.292,13 | E04 |
| TGT/6-1409-6/-30 | 30 | - | 54,2 | 136.530 | G7614906300U33 | 14.328,03 | G7614906300U23 | 15.877,50 | E04 |
| TGT/6-1409-6/-37 | 37 | - | 66,6 | 143.270 | G7614906370U33 | 15.646,30 | G7614906370U23 | 17.195,79 | E04 |
| TGT/6-1409-9/-15 | 15 | - | 30,4 | 90.320 | G7614909150U33 | 10.848,05 | G7614909150U23 | 12.397,51 | E04 |
| TGT/6-1409-9/-18,5 | 18,5 | - | 37,3 | 104.310 | G7614909185U33 | 11.785,25 | G7614909185U23 | 13.334,72 | E04 |
| TGT/6-1409-9/-22 | 22 | - | 43 | 111.190 | G7614909220U33 | 12.313,58 | G7614909220U23 | 13.863,06 | E04 |
| TGT/6-1409-9/-30 | 30 | - | 54,2 | 130.610 | G7614909300U33 | 14.898,93 | G7614909300U23 | 16.448,44 | E04 |
| TGT/6-1409-9/-37 | 37 | - | 66,6 | 149.280 | G7614909370U33 | 16.217,23 | G7614909370U23 | 17.766,70 | E04 |
| TGT/6-1409-9/-45 | 45 | - | 83,4 | 156.100 | G7614909450U33 | 21.837,65 | G7614909450U23 | 23.387,12 | E04 |
| TGT/6-1409-12/-18,5 | 18,5 | - | 37,3 | 82.050 | G76149012185U33 | 12.356,18 | G76149012185U23 | 13.905,63 | E04 |
| TGT/6-1409-12/-22 | 22 | - | 43 | 89.080 | G76149012220U33 | 12.884,48 | G76149012220U23 | 14.433,97 | E04 |
| TGT/6-1409-12/-30 | 30 | - | 54,2 | 112.870 | G76149012300U33 | 15.469,86 | G76149012300U23 | 17.019,36 | E04 |
| TGT/6-1409-12/-37 | 37 | - | 66,6 | 128.400 | G76149012370U33 | 16.788,14 | G76149012370U23 | 18.337,62 | E04 |
| TGT/6-1409-12/-45 | 45 | - | 83,4 | 144.920 | G76149012450U33 | 22.408,57 | G76149012450U23 | 23.958,06 | E04 |
| TGT/6-1409-12/-55 | 55 | - | 102 | 153.250 | G76149012550U33 | 22.632,68 | G76149012550U23 | 24.216,96 | E04 |

CARACTERÍSTICAS TÉCNICAS - 6 polos - 950 rpm (Continuación)

| Modelo | Potencia motor (kW) | Intensidad nominal motor (A) | | Caudal máximo (m³/h) | Código Camisa corta | Precio camisa corta €/u. | Código Camisa larga | Precio camisa larga €/u. | Grupo producto |
|--------------------|---------------------|------------------------------|-------|----------------------|---------------------|--------------------------|---------------------|--------------------------|----------------|
| | | 230 V | 400 V | | | | | | |
| TGT/6-1609-3/-11 | 11 | - | 21,5 | 121.090 | G7616903110U33 | 9.404,72 | G7616903110U23 | 11.152,86 | E04 |
| TGT/6-1609-3/-15 | 15 | - | 30,4 | 136.220 | G7616903150U33 | 10.222,52 | G7616903150U23 | 11.970,66 | E04 |
| TGT/6-1609-3/-18,5 | 18,5 | - | 37,3 | 142.890 | G7616903185U33 | 11.159,73 | G7616903185U23 | 12.907,87 | E04 |
| TGT/6-1609-3/-22 | 22 | - | 43 | 156.020 | G7616903220U33 | 11.688,04 | G7616903220U23 | 13.436,20 | E04 |
| TGT/6-1609-3/-30 | 30 | - | 54,2 | 174.180 | G7616903300U33 | 14.273,41 | G7616903300U23 | 16.021,57 | E04 |
| TGT/6-1609-3/-37 | 37 | - | 66,6 | 187.200 | G7616903370U33 | 15.591,67 | G7616903370U23 | 17.339,85 | E04 |
| TGT/6-1609-6/-18,5 | 18,5 | - | 37,3 | 129.840 | G7616906185U33 | 11.725,68 | G7616906185U23 | 13.473,84 | E04 |
| TGT/6-1609-6/-22 | 22 | - | 43 | 139.780 | G7616906220U33 | 12.254,01 | G7616906220U23 | 14.002,16 | E04 |
| TGT/6-1609-6/-30 | 30 | - | 54,2 | 159.190 | G7616906300U33 | 14.839,36 | G7616906300U23 | 16.587,53 | E04 |
| TGT/6-1609-6/-37 | 37 | - | 66,6 | 177.280 | G7616906370U33 | 16.157,63 | G7616906370U23 | 17.905,79 | E04 |
| TGT/6-1609-6/-45 | 45 | - | 83,4 | 194.660 | G7616906450U33 | 21.778,09 | G7616906450U23 | 23.526,24 | E04 |
| TGT/6-1609-6/-55 | 55 | - | 102 | 211.070 | G7616906550U33 | 21.926,41 | G7616906550U23 | 23.674,55 | E04 |
| TGT/6-1609-6/-75 | 75 | - | 136 | 226.700 | G7616906750U33 | 23.545,40 | G7616906750U23 | 25.293,55 | E04 |
| TGT/6-1609-9/-22 | 22 | - | 43 | 120.030 | G7616909220U33 | 12.824,93 | G7616909220U23 | 14.573,09 | E04 |
| TGT/6-1609-9/-30 | 30 | - | 54,2 | 142.740 | G7616909300U33 | 15.410,30 | G7616909300U23 | 17.158,44 | E04 |
| TGT/6-1609-9/-37 | 37 | - | 66,6 | 164.700 | G7616909370U33 | 16.728,58 | G7616909370U23 | 18.476,72 | E04 |
| TGT/6-1609-9/-45 | 45 | - | 83,4 | 175.450 | G7616909450U33 | 22.349,01 | G7616909450U23 | 24.097,16 | E04 |
| TGT/6-1609-9/-55 | 55 | - | 102 | 196.590 | G7616909550U33 | 22.497,33 | G7616909550U23 | 24.245,49 | E04 |
| TGT/6-1609-9/-75 | 75 | - | 136 | 226.150 | G7616909750U33 | 24.116,31 | G7616909750U23 | 25.864,47 | E04 |
| TGT/6-1609-9/-90 | 90 | - | 163 | 246.350 | G7616909900U33 | 26.821,28 | G7616909900U23 | 28.569,42 | E04 |
| TGT/6-1609-12/-30 | 30 | - | 54,2 | 126.060 | G76169012300U33 | 15.981,22 | G76169012300U23 | 17.729,39 | E04 |
| TGT/6-1609-12/-37 | 37 | - | 66,6 | 138.200 | G76169012370U33 | 17.299,49 | G76169012370U23 | 19.047,65 | E04 |
| TGT/6-1609-12/-45 | 45 | - | 83,4 | 162.220 | G76169012450U33 | 22.919,92 | G76169012450U23 | 24.668,08 | E04 |
| TGT/6-1609-12/-55 | 55 | - | 102 | 185.820 | G76169012550U33 | 23.068,28 | G76169012550U23 | 24.816,41 | E04 |
| TGT/6-1609-12/-75 | 75 | - | 136 | 220.360 | G76169012750U33 | 24.687,21 | G76169012750U23 | 26.435,39 | E04 |
| TGT/6-1609-12/-90 | 90 | - | 163 | 242.770 | G76169012900U33 | 27.392,21 | G76169012900U23 | 29.140,32 | E04 |
| TGT/6-1609-12/-110 | 110 | - | 199 | 252.520 | G76169012111U33 | 32.350,15 | G76169012111U23 | 34.098,30 | E04 |

Modelos TGT de 2 velocidades, bajo demanda.

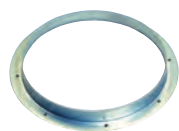
Bajo demanda, modelos de 2 velocidades, con la relación de diámetros detallada y con múltiples inclinaciones de álabes.

2/4 polos diámetros 400-450-500-560-630

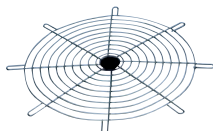
4/8 polos diámetros 400-450-500-560-630-710-800-900-1000-1120-1250-1409-1609

6/12 polos diámetros 560-630-710-800-900-1000-1120-1250

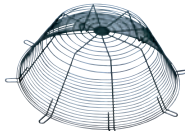
ACCESORIOS DE MONTAJE ESPECÍFICOS PARA LAS SERIES THGT Y TGT



ARO BRIDA
TGT/THGT



DEFENSA DE ASPIRACIÓN
TGT/THGT



DEFENSA DE DESCARGA
TGT/THGT



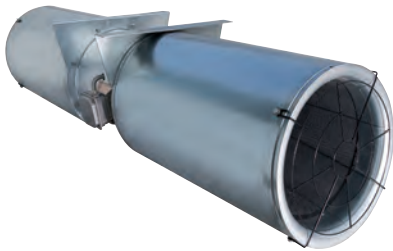
PIE SOPORTE
TGT/THGT



ACOPEL F400 N
Acoplamiento elástico circular desenfumage
(Ver códigos y precios en Accesorios Generales)

Ver códigos y precios en la Serie THGT.

Serie TJFT-TJFU



Ventiladores helicoidales tubulares de impulso, Jet Fans, para mover grandes volúmenes de aire en túneles y todo tipo de grandes espacios.
Modelos TJFT: reversibles.
Modelos TJFU: unidireccionales.

Descripción

Diámetros:
Serie TJFT, de 315 a 630 mm.
Serie TJFU, de 315 a 400 mm.
Hélice reversible (TJFT) de 6 palas, o unidireccional (TJFU) de 7 palas.
Hélice de aleación de aluminio según EN 1706, equilibrada según ISO 14694: G 6.3.
Camisa y 2 pies soporte de acero, según EN 10130-99, galvanizados en caliente según EN 1461: 1999.
Caja de conexiones exterior.
Dos silenciadores circulares de chapa de acero galvanizado.
Rejilla de protección en aspiración y descarga.

Motores

Serie TJFT: IEC, del 80 al 160, trifásico 400V/50Hz, IP55, Clase F.
Serie TJFU: IEC, del 80 al 90, trifásico 400V/50Hz, IP55, Clase F.
Dos velocidades 2/4 polos, conexión tipo Dahlander.
Temperatura ambiental de trabajo: -20°C a +50°C.

Bajo pedido

Motor de una velocidad, 2 polos.
Defensa en impulsión y deflector en descarga para caudal unidireccional.
En sustitución de la caja de conexiones, interruptor de seguridad paro-marcha IP65, instalado en fábrica, o como accesorio.
Pinturas externas RAL.

Aplicaciones específicas



Túneles

Es imprescindible comprobar que las características eléctricas (voltaje, intensidad, frecuencia, etc) del motor que aparecen en la placa del mismo son compatibles con las de la instalación.

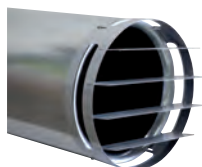
| Código | Modelo | Velocidad (r.p.m.) | Empuje (N) | Caudal (m³/h) | Velocidad (m/s) | Potencia motor* (kW) | Intensidad máxima absorbida (A) | Nivel presión sonora** (LpA) | | Peso (kg) | Grupo producto | Precio €/u. |
|--|-----------------|--------------------|------------|---------------|-----------------|----------------------|---------------------------------|------------------------------|------------|-----------|----------------|-----------------|
| | | | | | | | | Flujo A*** | Flujo B*** | | | |
| TJFT REVERSIBLE - 1 velocidad - 2 POLOS | | | | | | | | | | | | |
| 5156323900 | TJFT/2-315-CN | 2790 | 24 | 4.500 | 16 | 0,75 | 1,6 | 64 | 64 | 57 | E01 | 2.537,36 |
| 5156324000 | TJFT/2-355-CN | 2810 | 40 | 6.500 | 18 | 1,1 | 2,3 | 67 | 66 | 76 | E01 | 2.696,60 |
| 5156324100 | TJFT/2-400-CN | 2870 | 60 | 9.000 | 20 | 1,5 | 4,2 | 71 | 69 | 89 | E01 | 3.074,11 |
| 5150895100 | TJFT/2-450-C | 2840 | 85 | 12.100 | 21 | 2,2 | 4,5 | 75 | 72 | 133 | E01 | 3.620,61 |
| 5150895200 | TJFT/2-500-C | 2890 | 144 | 17.500 | 25 | 4 | 7,5 | 78 | 75 | 165 | E01 | 4.461,65 |
| 5150895300 | TJFT/2-560-C | 2925 | 235 | 25.000 | 28 | 7,5 | 13,6 | 82 | 78 | 220 | E01 | 5.427,50 |
| 5150895400 | TJFT/2-630-C | 2945 | 387 | 36.100 | 33 | 15 | 27 | 87 | 82 | 290 | E01 | 7.164,27 |
| TJFT REVERSIBLE - 2 velocidades - 2/4 POLOS | | | | | | | | | | | | |
| 5156325400 | TJFT/2/4-315-CN | 2820/1400 | 24 | 4.500 | 16 | 0,8/0,2 | 1,9/0,6 | 64/49 | 64/49 | 57 | E01 | 2.718,21 |
| 5156325500 | TJFT/2/4-355-CN | 2810/1390 | 40 | 6.500 | 18 | 1,1/0,25 | 2,4/0,75 | 67/52 | 66/51 | 76 | E01 | 2.902,72 |
| 5156325600 | TJFT/2/4-400-CN | 2900/1435 | 60 | 9.000 | 20 | 1,5/0,37 | 4,2/1,3 | 71/56 | 69/54 | 89 | E01 | 3.409,40 |
| 5150737800 | TJFT/2/4-450-C | 2845/1420 | 85 | 12.100 | 21 | 2,2/0,5 | 4,6/1,5 | 75/60 | 72/57 | 134 | E01 | 3.861,75 |
| 5150895700 | TJFT/2/4-500-C | 2890/1440 | 144 | 17.500 | 25 | 4,4/1,1 | 8,6/2,8 | 78/63 | 75/60 | 166 | E01 | 5.140,05 |
| 5159032200 | TJFT/2/4-560-C | 2930/1470 | 235 | 25.000 | 28 | 8/2 | 15,3/4,8 | 82/67 | 78/63 | 223 | E01 | 5.802,17 |
| 5150895900 | TJFT/2/4-630-C | 2950/1470 | 387 | 36.100 | 33 | 16/4 | 30,5/9,6 | 87/72 | 82/67 | 311 | E01 | 7.603,29 |
| TJFU UNIDIRECCIONAL - 1 velocidad - 2 POLOS | | | | | | | | | | | | |
| 5156207800 | TJFU/2-315-BC | 2790 | 25 | 4.600 | 16 | 0,75 | 1,6 | - | 62 | 56 | E01 | 2.227,77 |
| 5156207900 | TJFU/2-355-BC | 2810 | 43 | 6.800 | 19 | 1,1 | 2,3 | - | 66 | 75 | E01 | 2.366,10 |
| 5156208000 | TJFU/2-400-BC | 2870 | 68 | 9.700 | 21 | 1,5 | 3 | - | 70 | 88 | E01 | 2.648,53 |
| TJFU UNIDIRECCIONAL - 2 velocidades - 2/4 POLOS | | | | | | | | | | | | |
| 5156208100 | TJFU/2/4-315-BC | 2820/1400 | 25 | 4.600 | 16 | 0,8/0,2 | 1,9/0,6 | - | 62/46 | 56 | E01 | 2.425,07 |
| 5156208200 | TJFU/2/4-355-BC | 2810/1390 | 43 | 6.800 | 19 | 1,1/0,25 | 2,4/0,75 | - | 66/49 | 75 | E01 | 2.590,94 |
| 5156208300 | TJFU/2/4-400-BC | 2900/1435 | 68 | 9.700 | 21 | 1,5/0,37 | 3,5/1,3 | - | 70/55 | 88 | E01 | 2.890,29 |

* En los modelos de 2 velocidades, las potencias nominales pueden tener ligeras variaciones según el fabricante de motores.

** Medida a 3 metros en campo libre.

*** Flujo A: Motor-hélice.

ACCESORIOS DE MONTAJE ESPECÍFICOS PARA LAS SERIES JET FAN HELICOIDALES



Deflectores opcionales para orientar el flujo de aire, instalados sólo en descarga (unidireccionales) o bien en impulsión y descarga (reversibles).

Ver códigos y precios en la Serie TJHT-TJHU.

Serie TTT-N



Configuración constructiva modelos
Ø 450 a 800, versiones N



Configuración constructiva modelos
Ø 900 y 1000, versiones NI

Ventiladores helicoidales tubulares a transmisión, con motor fuera del flujo del aire, capacitados para trasegar aire hasta 120°C en continuo, camisa de chapa de acero reforzada y protegida contra la corrosión por cataforesis y pintura epoxy poliéster, con apertura de camisa a derecha o izquierda para inspección, hélice con pintura poliéster antiadherente (excepto modelos Ø 900 y 1000), equilibrada dinámicamente y accionada a transmisión por correa de perfil poliúve situada en caja de protección, motor trifásico, IP55, Clase F, con rodamientos a bolas de engrase permanente.

Motores

Tensión de alimentación.
Trifásicos 230/400V-50Hz ó 400V-50Hz
(Ver cuadro de características)
Modelos monofásicos 230V-50Hz (hasta 1,5 kW), bajo demanda.

Otros datos

Sentido del aire Motor-Hélice (flujo A).
Distintas inclinaciones de hélices para optimizar la relación caudal-presiónconsumo.
Las versiones NI incorporan interruptor de seguridad, paro/marcha. (No disponibles para versiones ATEX.)

TTT-N versiones ATEX

Bajo pedido, versiones antiexplosivas según la Directiva ATEX para modelos trifásicos:
Para trabajar a temperaturas de -20°C a +40°C.
Sentido del aire Motor-Hélice (flujo A).
- ATEX Antideflagrantes - Gas
⊕ II 2G Ex d IIB T4
⊕ II 2G Ex d IIB+H2 T4 (con motor Ex d IIC T4)
En versión ATEX estándar, los motores antideflagrantes se entregan sin protección térmica.
Para utilizar con convertidor de frecuencia pedir motores antideflagrantes con protector térmico tipo PTC.
- ATEX Seguridad aumentada - Gas
⊕ II 2G Ex e II T3
- ATEX - Polvo
Partículas en suspensión inflamables y polvo no conductor:
⊕ II 3D Ex tc IIIB T125°C
Polvo conductor:
⊕ II 3D Ex tc IIIC T125°C (con motor IP65)
En versión ATEX estándar, los motores ATEX para polvo se entregan sin protección térmica.
Para utilizar con convertidor de frecuencia pedir motores ATEX para polvo con protector térmico tipo PTC.

Aplicaciones específicas



Continuo



Versiones

Para seleccionar modelos TTT-N ATEX, ver el programa de selección de producto EASYVENT. Los datos eléctricos de los modelos ATEX pueden variar respecto a los datos indicados en las tablas características.
Consulte la disponibilidad de otras versiones de motores ATEX.

ACCESORIOS DE MONTAJE

(Ver códigos y precios en Accesorios Generales)

| Modelo | Defensas (aspiración y descarga) | Bridas | Acoplamiento elástico | Pie soporte |
|-------------|----------------------------------|---------------------------|------------------------|-----------------------|
| TTT-450N | DEF-450 T | ARO BRIDA COMPACT-450 | ACOPEL F400-450/160 N | PIE-450 |
| TTT-500N | DEF-500 T | ARO BRIDA COMPACT-500 | ACOPEL F400-500/160 N | PIE-500 |
| TTT-560N | DEF-560 T | ARO BRIDA COMPACT-560 | ACOPEL F400-560/160 N | PIE-560 |
| TTT-630N | DEF-630 T | ARO BRIDA COMPACT-630 | ACOPEL F400-630/160 N | PIE-630 |
| TTT-710N | DEF-710 T ASPIRACIÓN | ARO BRIDA COMPACT-710 | ACOPEL F400-710/180 N | PIE-700/710 |
| TTT-800N | DEF-800 T ASPIRACIÓN | ARO BRIDA COMPACT-800 | ACOPEL F400-800/180 N | PIE-800 |
| TTT/4-900N | DEF.ASP.TGT/THGT-900 | ARO BRIDA TGT/THGT-900 N | ACOPEL F400-900/180 N | PIE SOP.TGT/THGT-900 |
| TTT/4-1000N | DEF.ASP.TGT/THGT-1000 | ARO BRIDA TGT/THGT-1000 N | ACOPEL F400-1000/180 N | PIE SOP.TGT/THGT-1000 |

Es imprescindible comprobar que las características eléctricas (voltaje, intensidad, frecuencia, etc) del motor que aparecen en la placa del mismo son compatibles con las de la instalación.

| Código | Modelo | Velocidad (r.p.m.) | Potencia motor (kW) | Intensidad máxima absorbida (A) | | Caudal máximo (m³/h) | Nivel de presión sonora* a 1,5 m (dB(A)) | Peso (kg) | Grupo producto | Precio €/u. |
|------------|----------------|--------------------|---------------------|---------------------------------|---------|----------------------|--|-----------|----------------|-----------------|
| | | | | a 230 V | a 400 V | | | | | |
| 5115203400 | TTT/4-450/L N | 1440 | 0,37 | 2,1 | 1,2 | 5.300 | 68 | 22 | E01 | 1.753,82 |
| 5115203800 | TTT/4-450/H N | 1415 | 0,55 | 2,9 | 1,7 | 7.400 | 72 | 25 | E01 | 1.804,67 |
| 5115204300 | TTT/4-500/L N | 1400 | 0,55 | 3,1 | 1,8 | 9.100 | 73 | 37 | E01 | 1.858,52 |
| 5115204400 | TTT/4-500/H N | 1390 | 0,75 | 3,6 | 2,1 | 10.500 | 75 | 38 | E01 | 1.909,48 |
| 5115204800 | TTT/4-560/L N | 1400 | 0,75 | 3,8 | 2,2 | 11.500 | 73 | 32 | E01 | 1.936,56 |
| 5115204900 | TTT/4-560/H N | 1420 | 1,1 | 4,8 | 2,8 | 13.100 | 75 | 35 | E01 | 2.050,92 |
| 5115205500 | TTT/4-630/L N | 1440 | 1,1 | 4,8 | 2,8 | 13.900 | 75 | 47 | E01 | 2.067,42 |
| 5115205800 | TTT/4-630/H N | 1420 | 1,5 | 6,6 | 3,8 | 17.200 | 76 | 50 | E01 | 2.216,41 |
| 5115206200 | TTT/4-710/L N | 1460 | 1,5 | 5,7 | 3,3 | 16.600 | 78 | 57 | E01 | 2.459,82 |
| 5115206300 | TTT/4-710/G N | 1460 | 2,2 | 8,0 | 4,6 | 20.800 | 78 | 60 | E01 | 2.557,80 |
| 5115206400 | TTT/4-710/H N | 1435 | 3 | - | 6,0 | 24.200 | 79 | 64 | E01 | 2.800,21 |
| 5115207100 | TTT/4-800/L N | 1440 | 2,2 | 9,2 | 5,3 | 25.300 | 80 | 76 | E01 | 3.473,55 |
| 5115207200 | TTT/4-800/G N | 1450 | 3 | - | 6,6 | 28.400 | 79 | 79 | E01 | 3.562,62 |
| 5115207300 | TTT/4-800/H N | 1450 | 4 | - | 8,6 | 33.300 | 82 | 82 | E01 | 3.663,97 |
| 5115411400 | TTT/4-900/L N | 1460 | 5,5 | - | 11,8 | 39.500 | 83 | 175 | E01 | 4.329,13 |
| 5115411500 | TTT/4-900/H N | 1470 | 7,5 | - | 15,2 | 44.000 | 84 | 175 | E01 | 4.715,88 |
| 5115411600 | TTT/4-1000/L N | 1470 | 7,5 | - | 15,4 | 49.500 | 88 | 208 | E01 | 5.323,99 |
| 5115411700 | TTT/4-1000/H N | 1450 | 11 | - | 21,6 | 59.000 | 85 | 232 | E01 | 6.054,92 |

Modelos NI, con interruptor incorporado

| | | | | | | | | | | |
|------------|-----------------|------|------|-----|------|--------|----|-----|-----|-----------------|
| 5115203700 | TTT/4-450/L NI | 1440 | 0,37 | 2,1 | 1,2 | 5.300 | 68 | 22 | E01 | 2.012,58 |
| 5115207800 | TTT/4-450/H NI | 1415 | 0,55 | 2,9 | 1,7 | 7.400 | 72 | 25 | E01 | 2.063,39 |
| 5115208000 | TTT/4-500/L NI | 1400 | 0,55 | 3,1 | 1,8 | 9.100 | 73 | 37 | E01 | 2.117,30 |
| 5115208100 | TTT/4-500/H NI | 1390 | 0,75 | 3,6 | 2,1 | 10.500 | 75 | 38 | E01 | 2.168,20 |
| 5115208200 | TTT/4-560/L NI | 1400 | 0,75 | 3,8 | 2,2 | 11.500 | 73 | 32 | E01 | 2.195,26 |
| 5115208300 | TTT/4-560/H NI | 1420 | 1,1 | 4,8 | 2,8 | 13.100 | 75 | 35 | E01 | 2.309,71 |
| 5115208400 | TTT/4-630/L NI | 1440 | 1,1 | 4,8 | 2,8 | 13.900 | 75 | 47 | E01 | 2.326,20 |
| 5115208500 | TTT/4-630/H NI | 1420 | 1,5 | 6,6 | 3,8 | 17.200 | 76 | 50 | E01 | 2.475,18 |
| 5115208600 | TTT/4-710/L NI | 1460 | 1,5 | 5,7 | 3,3 | 16.600 | 78 | 57 | E01 | 2.718,54 |
| 5115208700 | TTT/4-710/G NI | 1460 | 2,2 | 8,0 | 4,6 | 20.800 | 78 | 60 | E01 | 2.816,56 |
| 5115208800 | TTT/4-710/H NI | 1435 | 3 | - | 6,0 | 24.200 | 79 | 64 | E01 | 3.058,93 |
| 5115208900 | TTT/4-800/L NI | 1440 | 2,2 | 9,2 | 5,3 | 25.300 | 80 | 76 | E01 | 3.732,28 |
| 5115209000 | TTT/4-800/G NI | 1450 | 3 | - | 6,6 | 28.400 | 79 | 79 | E01 | 3.821,40 |
| 5115209100 | TTT/4-800/H NI | 1450 | 4 | - | 8,6 | 33.300 | 82 | 82 | E01 | 3.961,55 |
| 5115413400 | TTT/4-900/L NI | 1460 | 5,5 | - | 11,8 | 39.500 | 83 | 175 | E01 | 4.832,51 |
| 5115413500 | TTT/4-900/H NI | 1470 | 7,5 | - | 15,2 | 44.000 | 84 | 175 | E01 | 5.219,22 |
| 5115413600 | TTT/4-1000/L NI | 1470 | 7,5 | - | 15,4 | 49.500 | 88 | 208 | E01 | 5.827,38 |
| 5115413700 | TTT/4-1000/H NI | 1450 | 11 | - | 21,6 | 59.000 | 85 | 232 | E01 | 6.558,29 |

* Nivel de presión sonora en dB(A), medido en campo libre a una distancia equivalente a 3 veces el diámetro de la hélice, a un mínimo de 1,5 m, en el punto medio de la curva característica.

Serie TET



Ventiladores helicoidales tubulares bifurcados, capacitados para trasegar aire a 150°C en continuo, con carcasa de acero laminado, protegida contra la corrosión con pintura poliéster, hélice de aluminio fundido en una sola pieza, motor trifásico, IP55, Clase F, con protector térmico incorporado y rodamientos a bolas de engrase permanente.

Aplicaciones específicas



Continuo

Motores

De 2, 4 ó 6 polos, según versiones.

Tensión de alimentación

Trifásicos 230/400V-50Hz

Regulables por convertidor de frecuencia.

Es imprescindible comprobar que las características eléctricas (voltaje, intensidad, frecuencia, etc) del motor que aparecen en la placa del mismo son compatibles con las de la instalación.

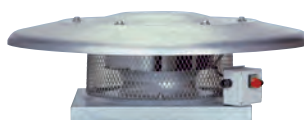
| Código | Modelo | Velocidad (r.p.m.) | Potencia útil motor (kW) | Intensidad máxima absorbida (A) | | Caudal máximo (m³/h) | Nivel de presión sonora a 1,5m (dB(A)) | Peso (kg) | Grupo producto | Precio €/u. |
|------------|-----------|--------------------|--------------------------|---------------------------------|-------|----------------------|--|-----------|----------------|-----------------|
| | | | | 230 V | 400 V | | | | | |
| 5105002900 | TET/2-400 | 2850 | 1,10 | 4,30 | 2,55 | 7.500 | 81 | 53,4 | E01 | 2.879,15 |
| 5105001100 | TET/4-400 | 1400 | 0,55 | 2,60 | 1,50 | 4.000 | 69 | 52 | E01 | 2.557,94 |
| 5105004500 | TET/4-600 | 1410 | 1,10 | 4,80 | 2,80 | 12.800 | 74 | 83,5 | E01 | 3.498,36 |
| 5105003700 | TET/6-600 | 905 | 0,37 | 2,00 | 1,26 | 8.000 | 65 | 80 | E01 | 3.410,55 |



60 HCTB/HCTT



63 HGTT-V



65 CRHB-N/CRHT-N



65 CRVB-N/CRVT-N



68 CRHB-N/CRHT-N
ECOWATT



68 CRVB-N/CRVT-N
ECOWATT



71 CRHB/T-N ECOWATT PLUS



71 CRVB/T-N ECOWATT PLUS

Ampliación de gama

Ampliación de gama



74 TPSB



74 TPSB ECOWATT



75 TH-MIXVENT



76 TH ECOWATT

Todos los motores incorporados en nuestros productos cumplen con el Reglamento CE nº 640/2009.



Serie que cumplen con la Directiva ErP.



Serie energéticamente eficientes.



344 CTB



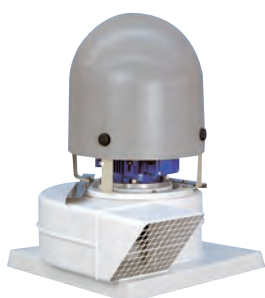
344 CTB ECOWATT



345 CTB ECOWATT PLUS



346 CTBH ECOWATT



77 TMPT/TMPB



**194 VENTILADORES
ACTIVADORES DE
CHIMENEAS**

Todos los motores incorporados en nuestros productos cumplen con el Reglamento CE nº 640/2009.



Series que cumplen con la Directiva ErP.



Series energéticamente eficientes.

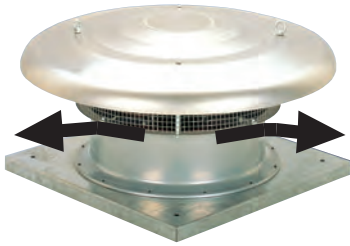


Series para ambientes corrosivos.

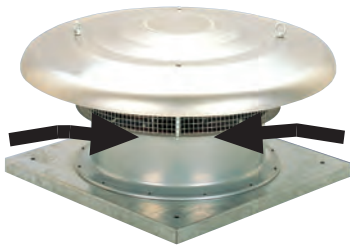


Series con Función Chimenea para activación del tiro.

Serie HCTB/HCTT



EXTRACCIÓN (modelos B)



IMPULSIÓN (modelos A)

Ventiladores helicoidales de tejado en extracción (B) o impulsión (A), con hélice equilibrada dinámicamente, cubo central de aluminio, álabes de plástico+fibra de vidrio, sombrero de aluminio, base en acero galvanizado, motor IP65 (1), Clase F (2), con protector térmico (3) y rodamientos a bolas de engrase permanente.

- (1) Modelos Ø 800, 900 y 1000: IP55.
- (2) Temperatura ambiental de trabajo: de -40°C a +70°C, excepto Ø 800 a 1000 (de -30°C a +40°C).
- (3) Modelos Ø 800, 900 y 1000: sin protector térmico.

Motores

De 4, 6, 8 o 4/8 polos, según versiones. Regulables por tensión, excepto modelos /4-560, /4-630, 710, 800, 900 y 1000. Todos los modelos trifásicos 1 velocidad son regulables por convertidor de frecuencia. Tensión de alimentación:
 Monofásicos 230V-50Hz
 Trifásicos 400V-50Hz
 (Ver cuadro de características)

Aplicaciones

Ventilación de procesos industriales, locales agrícolas, piscinas y data centers.



HCTT ATEX

Bajo pedido, versiones antiexplosivas según la Directiva ATEX para modelos trifásicos:
 Para trabajar a temperaturas de -20°C a +40°C. Motores IP55, Clase F.
 - ATEX Antideflagrantes - Gas
 Sólo para modelos 800 a 1000.
 II 2G Ex d IIB T4
 II 2G Ex d IIB+H2 T4 (con motor Ex d IIC T4)
 En versión ATEX estándar, los motores antideflagrantes se entregan sin protección térmica. Para utilizar con convertidor de frecuencia pedir motores antideflagrantes con protector térmico tipo PTC.
 - ATEX Seguridad aumentada - Gas
 II 2G Ex d IIB T3
 - ATEX - Polvo
 Sólo para modelos 800 a 1000. Partículas en suspensión inflamables y polvo no conductor:
 II 3D Ex tc IIB T125°C
 Polvo conductor:
 II 3D Ex tc IIIC T125°C (con motor IP65)
 En versión ATEX estándar, los motores ATEX para polvo se entregan sin protección térmica. Para utilizar con convertidor de frecuencia pedir motores ATEX para polvo con protector térmico tipo PTC.

Para seleccionar modelos HCTT ATEX, ver el programa de selección de producto EASYVENT. Los datos eléctricos de los modelos ATEX pueden variar respecto a los datos indicados en las tablas características. Consulte la disponibilidad de otras versiones de motores ATEX.

Aplicaciones específicas

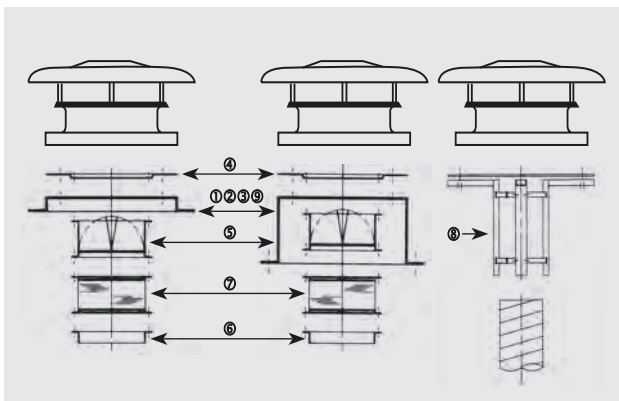
Versiones

Instalaciones agrícolas

Data centers

Piscinas

INSTALACIÓN ACCESORIOS DE MONTAJE SERIE HCTB/HCTT (Ver códigos y precios en Accesorios Generales)



| Modelo de extractor | ① Marco soporte | ② Base soporte aislada | ③ Base atenuadora acústica | ④ Placa de adaptación | ⑤ Compuerta antirretorno | ⑥ Brida | ⑦ Acoplamiento elástico | ⑧ Adaptación circular | ⑨ Base soporte cubiertas inclinadas |
|---------------------|-----------------|------------------------|----------------------------|-----------------------|--------------------------|------------|-------------------------|-----------------------|-------------------------------------|
| 315 | JMS-560 | JBS-560 | JAA-560 | JPA-560 | JCA-560 N | JBR-560 N | JAЕ-560 N | JCC-560 | BI-5 |
| 355 | JMS-630 | JBS-630 | JAA-630 | JPA-630 | JCA-630 N | JBR-630 N | JAЕ-630 N | JCC-630 | BI-6 |
| 400 | JMS-630 | JBS-630 | JAA-630 | JPA-630 | JCA-630 N | JBR-630 N | JAЕ-630 N | JCC-630 | BI-6 |
| 450 | JMS-710 | JBS-710 | JAA-710 | JPA-710 | JCA-710 N | JBR-710 N | JAЕ-710 N | - | BI-7 |
| 500 | JMS-710 | JBS-710 | JAA-710 | JPA-710 | JCA-710 N | JBR-710 N | JAЕ-710 N | - | BI-7 |
| 560 | JMS-905 | JBS-905 | JAA-905 | JPA-905 | JCA-905 N | JBR-905 N | JAЕ-905 N | - | BI-9 |
| 630 | JMS-905 | JBS-905 | JAA-905 | JPA-905 | JCA-905 N | JBR-905 N | JAЕ-905 N | - | BI-9 |
| 710 | JMS-1100 | JBS-1100 | JAA-1100 | JPA-1100 | JCA-1100 N | JBR-1100 N | JAЕ-1100 N | - | BI-11 |
| 800 | JMS-1100 | JBS-1100 | JAA-1100 | JPA-1100 | JCA-1100 N | JBR-1100 N | JAЕ-1100 N | - | BI-11 |
| 900 | JMS-1250 | JBS-1250 | JAA-1250 | JPA-1250 | JCA-1250 N | JBR-1250 N | JAЕ-1250 N | - | BI-12 |
| 1000 | JMS-1250 | JBS-1250 | JAA-1250 | JPA-1250 | JCA-1250 N | JBR-1250 N | JAЕ-1250 N | - | BI-12 |

Es imprescindible comprobar que las características eléctricas (voltaje, intensidad, frecuencia, etc) del motor que aparecen en la placa del mismo son compatibles con las de la instalación.

| Código | Modelo | Velocidad (r.p.m.) | Potencia abs. máx. (W) | Intensidad máxima absorbida (A) | | Caudal máximo (m³/h) | | Nivel de presión* sonora a 1,5 m (dB(A)) | | Peso (kg) | Regulador de tensión opcional | | Convertidor de frecuencia opcional | | Grupo producto | Precio €/u. |
|--------------------------------|-----------------|--------------------|------------------------|---------------------------------|-----------|----------------------|----------------------|--|----------|-----------|-------------------------------|-----------|------------------------------------|----------|----------------|-----------------|
| | | | | a 230 V | a 400V | Conexión vel. rápida | Conex. vel. lenta*** | Aspiración | Descarga | | REB | RMB/T**** | VFTM**** | VFKB**** | | |
| | | | | | | | | | | | | | | | | |
| MODELOS PARA EXTRACCIÓN | | | | | | | | | | | | | | | | |
| MONOFÁSICOS 4 POLOS | | | | | | | | | | | | | | | | |
| 5113500200 | HCTB/4-315-B | 1300 | 100 | 0,59 | - | 1.930 | - | 59 | 58 | 14 | REB-1 | RMB-1,5 | - | - | E05 | 885,80 |
| 5113501000 | HCTB/4-355-B | 1225 | 200 | 0,96 | - | 2.680 | - | 56 | 55 | 15 | REB-1 | RMB-1,5 | - | - | E05 | 956,61 |
| 5113502800 | HCTB/4-400-B | 1290 | 340 | 1,64 | - | 3.700 | - | 59 | 58 | 16 | REB-2,5 | RMB-3,5 | - | - | E05 | 1.039,53 |
| 5113503600 | HCTB/4-450-B | 1290 | 480 | 2,30 | - | 5.600 | - | 62 | 61 | 23 | REB-2,5 | RMB-3,5 | - | - | E05 | 1.235,82 |
| 5113504400 | HCTB/4-500-B | 1290 | 650 | 3,00 | - | 7.100 | - | 69 | 67 | 25 | REB-5 | RMB-3,5 | - | - | E05 | 1.346,27 |
| 5113505100 | HCTB/4-560-B | 1200 | 980 | 4,90 | - | 9.820 | - | 73 | 69 | 40 | - | - | - | - | E05 | 1.900,22 |
| 5113506900 | HCTB/4-630-B | 1290 | 1700 | 7,60 | - | 13.000 | - | 74 | 70 | 42 | - | - | - | - | E05 | 2.133,74 |
| MONOFÁSICOS 6 POLOS | | | | | | | | | | | | | | | | |
| 5113518400 | HCTB/6-450-B | 835 | 220 | 1,15 | - | 3.900 | - | 53 | 52 | 23 | REB-1 | RMB-1,5 | - | - | E05 | 1.206,50 |
| 5113519200 | HCTB/6-500-B | 840 | 290 | 1,60 | - | 4.600 | - | 56 | 54 | 25 | REB-2,5 | RMB-3,5 | - | - | E05 | 1.315,51 |
| 5113520000 | HCTB/6-560-B | 900 | 420 | 2,40 | - | 6.850 | - | 60 | 58 | 40 | REB-5 | RMB-3,5 | - | - | E05 | 1.866,46 |
| 5113521800 | HCTB/6-630-B | 800 | 510 | 2,56 | - | 8.400 | - | 64 | 61 | 42 | REB-5 | RMB-3,5 | - | - | E05 | 2.094,63 |
| TRIFÁSICOS 4 POLOS | | | | | | | | | | | | | | | | |
| 5113431000 | HCTT/4-315-B | 1300 | 150 | - | 0,34 | 1.930 | 1.500 | 59 | 58 | 14 | - | RMT-1,5 | VFTM TRI-0,37 | VFKB-45 | E05 | 858,97 |
| 5113432800 | HCTT/4-355-B | 1260 | 200 | - | 0,46 | 2.680 | 2.000 | 56 | 55 | 15 | - | RMT-1,5 | VFTM TRI-0,37 | VFKB-45 | E05 | 930,20 |
| 5113433600 | HCTT/4-400-B | 1350 | 300 | - | 0,80 | 3.700 | 2.900 | 59 | 58 | 16 | - | RMT-1,5 | VFTM TRI-0,37 | VFKB-45 | E05 | 1.011,77 |
| 5113434400 | HCTT/4-450-B | 1230 | 500 | - | 1,00 | 5.600 | 4.500 | 63 | 61 | 23 | - | RMT-1,5 | VFTM TRI-0,37 | VFKB-45 | E05 | 1.199,87 |
| 5113435100 | HCTT/4-500-B | 1350 | 660 | - | 1,60 | 7.100 | 5.850 | 69 | 67 | 25 | - | RMT-2,5 | VFTM TRI-0,55 | VFKB-45 | E05 | 1.298,85 |
| 5113436900 | HCTT/4-560-B | 1320 | 1210 | - | 2,30 | 9.820 | 7.600 | 73 | 69 | 40 | - | - | VFTM TRI-1,1 | VFKB-45 | E05 | 1.834,96 |
| 5113407000 | HCTT/4-630-B | 1290 | 1600 | - | 3,20 | 13.000 | - | 74 | 70 | 42 | - | - | VFTM TRI-1,5 | VFKB-45 | E05 | 2.038,13 |
| 5113497100 | HCTT/4-710-B | 1300 | 2200 | - | 4,00 | 18.400 | - | 82 | 80 | 60 | - | - | VFTM TRI-1,5 | VFKB-45 | E05 | 2.510,42 |
| 5113461700 | HCTT/4-800/H-B | 1400 | 3kW** | - | 7,30 | 23.800 | - | 89 | 86 | 67 | - | - | VFTM TRI-4 | VFKB-48 | E05 | 3.099,24 |
| 5113462500 | HCTT/4-900/H-B | 1400 | 4kW** | - | 9,50 | 30.000 | - | 92 | 89 | 77 | - | - | VFTM TRI-5,5 | - | E05 | 4.251,55 |
| 5113463300 | HCTT/4-1000/H-B | 1450 | 5,5kW** | - | 12,00 | 38.500 | - | 93 | 90 | 123 | - | - | VFTM TRI-5,5 | - | E05 | 4.613,54 |
| TRIFÁSICOS 6 POLOS | | | | | | | | | | | | | | | | |
| 5113448400 | HCTT/6-450-B | 835 | 190 | - | 0,48 | 3.900 | 3.000 | 53 | 52 | 23 | - | RMT-1,5 | VFTM TRI-0,37 | VFKB-45 | E05 | 1.170,99 |
| 5113449200 | HCTT/6-500-B | 830 | 250 | - | 0,57 | 4.600 | 3.500 | 56 | 54 | 25 | - | RMT-1,5 | VFTM TRI-0,37 | VFKB-45 | E05 | 1.270,97 |
| 5113450000 | HCTT/6-560-B | 850 | 410 | - | 0,93 | 6.850 | 5.400 | 60 | 58 | 40 | - | RMT-1,5 | VFTM TRI-0,37 | VFKB-45 | E05 | 1.801,26 |
| 5113451800 | HCTT/6-630-B | 810 | 600 | - | 1,18 | 8.400 | 6.400 | 64 | 61 | 42 | - | RMT-1,5 | VFTM TRI-0,37 | VFKB-45 | E05 | 1.999,35 |
| 5113801400 | HCTT/6-710-B | 900 | 1100 | - | 3,30 | 12.700 | - | 72 | 70 | 54 | - | RMT-5 | VFTM TRI-1,5 | VFKB-45 | E05 | 2.483,76 |
| 5113470800 | HCTT/6-800/H-B | 930 | 0,75kW** | - | 2,50 | 15.800 | - | 79 | 76 | 57 | - | - | VFTM TRI-1,1 | VFKB-45 | E05 | 3.047,41 |
| 5113471600 | HCTT/6-900/H-B | 930 | 1,1kW** | - | 3,50 | 20.000 | - | 82 | 79 | 67 | - | - | VFTM TRI-1,5 | VFKB-45 | E05 | 4.192,30 |
| 5113472400 | HCTT/6-1000/H-B | 930 | 1,5kW** | - | 4,50 | 24.700 | - | 83 | 80 | 108 | - | - | VFTM TRI-2,2 | VFKB-48 | E05 | 4.587,86 |
| TRIFÁSICOS 8 POLOS | | | | | | | | | | | | | | | | |
| 5113813900 | HCTT/8-710-B | 670 | 370 | - | 1,20 | 9.500 | - | 64 | 62 | 52 | - | - | VFTM TRI-0,37 | VFKB-45 | E05 | 2.483,76 |
| 5113474000 | HCTT/8-800/H-B | 700 | 370 | - | 1,90 | 11.900 | - | 71 | 68 | 57 | - | - | VFTM TRI-0,75 | VFKB-45 | E05 | 3.047,41 |
| 5113475700 | HCTT/8-900/H-B | 700 | 550 | - | 2,30 | 15.000 | - | 74 | 71 | 67 | - | - | VFTM TRI-1,1 | VFKB-45 | E05 | 4.192,30 |
| 5113476500 | HCTT/8-1000/H-B | 700 | 750 | - | 2,80 | 18.600 | - | 75 | 72 | 108 | - | - | VFTM TRI-1,1 | VFKB-45 | E05 | 4.587,86 |
| TRIFÁSICOS - 4/8 POLOS | | | | | | | | | | | | | | | | |
| 5113433700 | HCTT/4/8-400-B | 1300/700 | 250/150 | - | 0,55/0,35 | 3.700 | 1.850 | 59 | 58 | 18 | - | - | - | - | E05 | 1.133,18 |
| 5113434500 | HCTT/4/8-450-B | 1360/700 | 400/170 | - | 0,80/0,50 | 5.600 | 2.800 | 63 | 61 | 26 | - | - | - | - | E05 | 1.343,86 |
| 5113435200 | HCTT/4/8-500-B | 1370/700 | 550/230 | - | 1,2/0,8 | 7.100 | 3.550 | 69 | 67 | 28 | - | - | - | - | E05 | 1.454,70 |
| 5113437000 | HCTT/4/8-560-B | 1300/700 | 1100/300 | - | 2/1 | 9.820 | 4.910 | 73 | 69 | 60 | - | - | - | - | E05 | 2.055,14 |
| 5113407100 | HCTT/4/8-630-B | 1400/720 | 1300/400 | - | 2,5/1,7 | 13.000 | 6.500 | 74 | 70 | 65 | - | - | - | - | E05 | 2.282,69 |
| 5113858900 | HCTT/4/8-710-B | 1300/670 | 2200/500 | - | 4,00/1,5 | 18.400 | 9.200 | 82 | 80 | 80 | - | - | - | - | E05 | 2.811,71 |
| 5113816300 | HCTT/4/8-800-B | 1430/720 | 3/0,65kW** | - | 6,8/2,5 | 23.800 | 11.900 | 89 | 86 | 85 | - | - | - | - | E05 | 3.471,15 |
| 5113817000 | HCTT/4/8-900-B | 1455/730 | 4/0,75kW** | - | 8,9/3,2 | 30.000 | 15.000 | 92 | 89 | 90 | - | - | - | - | E05 | 4.761,75 |
| 5113820400 | HCTT/4/8-1000-B | 1425/715 | 5,5/1,1kW** | - | 11/3,7 | 38.500 | 19.250 | 93 | 90 | 125 | - | - | - | - | E05 | 5.167,15 |

* Presión sonora media en campo libre. ** Potencia útil.

*** La segunda velocidad se consigue con un conmutador triángulo / estrella. En los modelos de 2 velocidades tipo Dahlander, mediante conmutador Dahlander.

**** Los reguladores trifásicos (RMT) o convertidores de frecuencia (VFKB/VFTM) recomendados en la tabla, son para una tensión 400V.

Es imprescindible comprobar que las características eléctricas (voltaje, intensidad, frecuencia, etc) del motor que aparecen en la placa del mismo son compatibles con las de la instalación.

| Código | Modelo | Velocidad (r.p.m.) | Potencia abs. máx. (W) | Intensidad máxima absorbida (A) | | Caudal máximo (m³/h) | | Nivel de presión sonora a 1,5 m (dB(A))* | | Peso (kg) | Regulador de tensión opcional | | Convertidor de frecuencia opcional | | Grupo producto | Precio €/u. |
|-------------------------------|-----------------|--------------------|------------------------|---------------------------------|-----------|----------------------|----------------------|--|----------|-----------|-------------------------------|-----------|------------------------------------|----------|----------------|-----------------|
| | | | | a 230V | a 400V | Conexión vel. rápida | Conex. vel. lenta*** | Aspiración | Descarga | | REB | RMB/T**** | VFTM**** | VFKB**** | | |
| | | | | | | | | | | | | | | | | |
| MODELOS PARA IMPULSIÓN | | | | | | | | | | | | | | | | |
| MONOFÁSICOS 4 POLOS | | | | | | | | | | | | | | | | |
| 5113507700 | HCTB/4-315-A | 1300 | 100 | 0,54 | - | 2.150 | - | 58 | 64 | 14 | REB-1 | RMB-1,5 | - | - | E05 | 885,80 |
| 5113508500 | HCTB/4-355-A | 1225 | 200 | 0,96 | - | 3.250 | - | 59 | 61 | 15 | REB-1 | RMB-1,5 | - | - | E05 | 956,61 |
| 5113509300 | HCTB/4-400-A | 1200 | 340 | 1,64 | - | 4.720 | - | 64 | 68 | 16 | REB-2,5 | RMB-3,5 | - | - | E05 | 1.039,53 |
| 5113510100 | HCTB/4-450-A | 1290 | 480 | 2,3 | - | 6.670 | - | 68 | 73 | 23 | REB-2,5 | RMB-3,5 | - | - | E05 | 1.235,82 |
| 5113511900 | HCTB/4-500-A | 1290 | 650 | 3,1 | - | 8.440 | - | 72 | 76 | 25 | REB-5 | RMB-3,5 | - | - | E05 | 1.346,27 |
| 5113512700 | HCTB/4-560-A | 1250 | 980 | 4,9 | - | 11.400 | - | 75 | 80 | 40 | - | - | - | - | E05 | 1.900,22 |
| 5113513500 | HCTB/4-630-A | 1200 | 1700 | 7,6 | - | 15.300 | - | 79 | 84 | 42 | - | - | - | - | E05 | 2.133,74 |
| MONOFÁSICOS 6 POLOS | | | | | | | | | | | | | | | | |
| 5113523400 | HCTB/6-450-A | 835 | 220 | 1,1 | - | 4.400 | - | 56 | 60 | 23 | REB-1 | RMB-1,5 | - | - | E05 | 1.206,50 |
| 5113524200 | HCTB/6-500-A | 840 | 290 | 1,5 | - | 5.500 | - | 60 | 63 | 25 | REB-2,5 | RMB-1,5 | - | - | E05 | 1.315,51 |
| 5113525900 | HCTB/6-560-A | 900 | 420 | 2,3 | - | 7.900 | - | 64 | 68 | 40 | REB-2,5 | RMB-3,5 | - | - | E05 | 1.866,46 |
| 5113526700 | HCTB/6-630-A | 900 | 630 | 2,5 | - | 9.900 | - | 66 | 70 | 42 | REB-5 | RMB-3,5 | - | - | E05 | 2.094,63 |
| TRIFÁSICOS 4 POLOS | | | | | | | | | | | | | | | | |
| 5113437700 | HCTT/4-315-A | 1360 | 150 | - | 0,34 | 2.150 | 1.820 | 58 | 64 | 14 | - | RMT-1,5 | VFTM TRI-0,37 | VFKB-45 | E05 | 858,97 |
| 5113438500 | HCTT/4-355-A | 1350 | 200 | - | 0,46 | 3.250 | 2.520 | 59 | 61 | 15 | - | RMT-1,5 | VFTM TRI-0,37 | VFKB-45 | E05 | 930,20 |
| 5113439300 | HCTT/4-400-A | 1380 | 300 | - | 0,8 | 4.720 | 3.900 | 64 | 68 | 16 | - | RMT-1,5 | VFTM TRI-0,37 | VFKB-45 | E05 | 1.011,77 |
| 5113440100 | HCTT/4-450-A | 1350 | 500 | - | 0,95 | 6.670 | 5.250 | 68 | 71 | 23 | - | RMT-1,5 | VFTM TRI-0,37 | VFKB-45 | E05 | 1.199,87 |
| 5113441900 | HCTT/4-500-A | 1380 | 660 | - | 1,6 | 8.440 | 7.000 | 72 | 76 | 25 | - | RMT-2,5 | VFTM TRI-0,55 | VFKB-45 | E05 | 1.298,85 |
| 5113442700 | HCTT/4-560-A | 1380 | 1210 | - | 2,3 | 11.400 | 9.800 | 75 | 80 | 40 | - | - | VFTM TRI-1,1 | VFKB-45 | E05 | 1.834,96 |
| 5113408800 | HCTT/4-630-A | 1360 | 1600 | - | 3 | 15.300 | - | 79 | 84 | 42 | - | - | VFTM TRI-1,5 | VFKB-45 | E05 | 2.038,13 |
| 5113485600 | HCTT/4-710-A | 1300 | 2200 | - | 4 | 20.500 | - | 80 | 85 | 60 | - | - | VFTM TRI-1,5 | VFKB-45 | E05 | 2.510,42 |
| 5113465800 | HCTT/4-800/H-A | 1400 | 3 kW ** | - | 7,3 | 26.600 | - | 85 | 90 | 67 | - | - | VFTM TRI-4 | VFKB-45 | E05 | 3.099,24 |
| 5113468200 | HCTT/4-900/H-A | 1400 | 4 kW ** | - | 9,5 | 35.900 | - | 88 | 94 | 77 | - | - | VFTM TRI-5,5 | - | E05 | 4.251,55 |
| 5113469000 | HCTT/4-1000/H-A | 1400 | 5,5 kW ** | - | 12 | 44.900 | - | 89 | 95 | 123 | - | - | VFTM TRI-5,5 | - | E05 | 4.613,54 |
| TRIFÁSICOS 6 POLOS | | | | | | | | | | | | | | | | |
| 5113453400 | HCTT/6-450-A | 835 | 190 | - | 0,48 | 4.400 | 3.600 | 56 | 60 | 23 | - | RMT-1,5 | VFTM TRI-0,37 | VFKB-45 | E05 | 1.170,99 |
| 5113454200 | HCTT/6-500-A | 830 | 250 | - | 0,57 | 5.500 | 4.500 | 60 | 63 | 25 | - | RMT-1,5 | VFTM TRI-0,37 | VFKB-45 | E05 | 1.270,97 |
| 5113455900 | HCTT/6-560-A | 850 | 410 | - | 0,93 | 7.900 | 6.700 | 64 | 68 | 40 | - | RMT-1,5 | VFTM TRI-0,37 | VFKB-45 | E05 | 1.801,26 |
| 5113456700 | HCTT/6-630-A | 810 | 600 | - | 1,18 | 9.900 | 7.800 | 66 | 70 | 42 | - | RMT-1,5 | VFTM TRI-0,37 | VFKB-45 | E05 | 1.999,35 |
| 5113466600 | HCTT/6-710-A | 900 | 1100 | - | 3,3 | 14.200 | - | 69 | 75 | 54 | - | - | VFTM TRI-1,5 | VFKB-45 | E05 | 2.483,76 |
| 5113477300 | HCTT/6-800/H-A | 930 | 0,75 kW** | - | 2,5 | 17.700 | - | 75 | 80 | 57 | - | - | VFTM TRI-1,1 | VFKB-45 | E05 | 3.047,41 |
| 5113478100 | HCTT/6-900/H-A | 930 | 1,1 kW** | - | 3,5 | 23.800 | - | 78 | 84 | 67 | - | - | VFTM TRI-1,5 | VFKB-45 | E05 | 4.192,30 |
| 5113479900 | HCTT/6-1000/H-A | 930 | 1,5 kW** | - | 4,5 | 28.800 | - | 79 | 85 | 108 | - | - | VFTM TRI-2,2 | VFKB-45 | E05 | 4.587,86 |
| TRIFÁSICOS 8 POLOS | | | | | | | | | | | | | | | | |
| 5113480700 | HCTT/8-710-A | 670 | 370 | - | 1,2 | 10.600 | - | 61 | 67 | 52 | - | - | VFTM TRI-0,37 | VFKB-45 | E05 | 2.483,76 |
| 5113481500 | HCTT/8-800/H-A | 700 | 0,37 kW** | - | 1,9 | 13.300 | - | 67 | 72 | 57 | - | - | VFTM TRI-0,75 | VFKB-45 | E05 | 3.047,41 |
| 5113482300 | HCTT/8-900/H-A | 700 | 0,55 kW** | - | 2,3 | 18.000 | - | 70 | 76 | 67 | - | - | VFTM TRI-1,1 | VFKB-45 | E05 | 4.192,30 |
| 5113483100 | HCTT/8-1000/H-A | 700 | 0,75 kW** | - | 2,8 | 21.700 | - | 71 | 77 | 105 | - | - | VFTM TRI-1,1 | VFKB-45 | E05 | 4.475,94 |
| TRIFÁSICOS - 4/8 POLOS | | | | | | | | | | | | | | | | |
| 5113407200 | HCTT/4/8-400-A | 1300/700 | 250/150 | - | 0,55/0,35 | 4.720 | 2.360 | 59 | 58 | 18 | - | - | - | - | E05 | 1.133,18 |
| 5113407300 | HCTT/4/8-450-A | 1360/700 | 400/170 | - | 0,80/0,50 | 6.670 | 3.335 | 63 | 61 | 26 | - | - | - | - | E05 | 1.343,86 |
| 5113407400 | HCTT/4/8-500-A | 1370/700 | 550/230 | - | 1,2/0,8 | 8.440 | 4.220 | 69 | 67 | 28 | - | - | - | - | E05 | 1.454,70 |
| 5113407500 | HCTT/4/8-560-A | 1300/700 | 1100/300 | - | 2/1 | 11.400 | 5.700 | 73 | 69 | 60 | - | - | - | - | E05 | 2.055,14 |
| 5113407600 | HCTT/4/8-630-A | 1400/720 | 1300/400 | - | 2,5/1,7 | 15.300 | 7.650 | 74 | 70 | 65 | - | - | - | - | E05 | 2.282,69 |
| 5113407700 | HCTT/4/8-710-A | 1300/670 | 2200/500 | - | 4,00/1,5 | 20.500 | 10.250 | 82 | 80 | 80 | - | - | - | - | E05 | 2.811,71 |
| 5113816200 | HCTT/4/8-800-A | 1430/720 | 3/0,65kW** | - | 6,8/2,5 | 26.600 | 13.300 | 89 | 86 | 85 | - | - | - | - | E05 | 3.471,15 |
| 5113407800 | HCTT/4/8-900-A | 1455/730 | 4/0,75kW** | - | 8,9/3,2 | 35.900 | 17.950 | 92 | 89 | 90 | - | - | - | - | E05 | 4.761,75 |
| 5113407900 | HCTT/4/8-1000-A | 1425/715 | 5,5/1,1kW** | - | 11/3,7 | 44.900 | 22.450 | 93 | 90 | 125 | - | - | - | - | E05 | 5.167,15 |

* Presión sonora media en campo libre. ** Potencia útil.

*** La segunda velocidad se consigue con un conmutador triángulo / estrella. En los modelos de 2 velocidades tipo Dahlander, mediante conmutador Dahlander.

**** Los reguladores trifásicos (RMT) o convertidores de frecuencia (VFKB/VFTM) recomendados en la tabla, son para una tensión 400V.

Serie HGTT-V



Ventiladores helicoidales de tejado, de descarga vertical, para ventilación general, conjunto camisa-faldón fabricado con chapa de acero galvanizado en caliente, envoltorio fabricada con chapa de acero galvanizado con protección anticorrosiva poliéster, hélice de álabes de aluminio y semicubo de chapa de acero, compuerta antirretorno, reja de protección en la descarga, interruptor paro-marcha exterior, motor trifásico, IP55, Clase F.

Motores

De 4 polos.

Tensión de alimentación

Trifásicos 230/400V-50Hz hasta 3 kW.

Trifásicos 400V-50Hz, para potencias superiores y motores de 2 velocidades.

(Ver cuadro de características).

Otros datos

Sentido del aire: Motor-hélice (flujo A).

Bajo demanda, motores de 6 polos y de 2 velocidades (4/6 y 4/8 polos).

Consultar EasyVent para seleccionar el equipo idóneo para la instalación, y obtener la ficha técnica correspondiente.



Es imprescindible comprobar que las características eléctricas (voltaje, intensidad, frecuencia, etc) del motor que aparecen en la placa del mismo son compatibles con las de la instalación.

| Código | Modelo | Potencia motor (kW) | Intensidad máxima absorbida a 400V (A) | Peso (kg) | Grupo producto | Precio €/u. | Código | Modelo | Potencia motor (kW) | Intensidad máxima absorbida a 400V (A) | Peso (kg) | Grupo producto | Precio €/u. |
|-----------------------|-----------------------|---------------------|--|-----------|----------------|------------------|-----------------------|-----------------------|---------------------|--|-----------|----------------|------------------|
| 1 VELOCIDAD - 4 POLOS | | | | | | | 1 VELOCIDAD - 4 POLOS | | | | | | |
| GH4086015U1 | HGTT-V/4-800-6/-1,5 | 1,5 | 3,15 | 167 | E05 | 5.526,26 | GH4109055U1 | HGTT-V/4-1000-9/-5,5 | 5,5 | 10,3 | 274 | E05 | 7.065,15 |
| GH4086022U1 | HGTT-V/4-800-6/-2,2 | 2,2 | 4,56 | 174 | E05 | 5.637,72 | GH4109075U1 | HGTT-V/4-1000-9/-7,5 | 7,5 | 13,9 | 281 | E05 | 7.233,76 |
| GH4086030U1 | HGTT-V/4-800-6/-3 | 3 | 6,15 | 180 | E05 | 5.707,97 | GH4109110U1 | HGTT-V/4-1000-9/-11 | 11 | 20,7 | 334 | E05 | 7.986,90 |
| GH4086040U1 | HGTT-V/4-800-6/-4 | 4 | 8,2 | 181 | E05 | 5.854,83 | GH4109150U1 | HGTT-V/4-1000-9/-15 | 15 | 28,4 | 356 | E05 | 8.298,34 |
| GH4086055U1 | HGTT-V/4-800-6/-5,5 | 5,5 | 10,3 | 210 | E05 | 5.994,96 | GH4109185U1 | HGTT-V/4-1000-9/-18,5 | 18,5 | 34,9 | 388 | E05 | 9.337,03 |
| GH4086075U1 | HGTT-V/4-800-6/-7,5 | 7,5 | 13,9 | 217 | E05 | 6.163,58 | GH4109220U1 | HGTT-V/4-1000-9/-22 | 22 | 40,9 | 409 | E05 | 11.479,59 |
| GH4089040U1 | HGTT-V/4-800-9/-4 | 4 | 8,2 | 186 | E05 | 6.022,85 | GH4126110U1 | HGTT-V/4-1250-6/-11 | 11 | 21,7 | 458 | E05 | 9.764,77 |
| GH4089055U1 | HGTT-V/4-800-9/-5,5 | 5,5 | 10,3 | 215 | E05 | 6.163,02 | GH4126150U1 | HGTT-V/4-1250-6/-15 | 15 | 28,4 | 473 | E05 | 10.171,65 |
| GH4089075U1 | HGTT-V/4-800-9/-7,5 | 7,5 | 13,9 | 222 | E05 | 6.331,56 | GH4126185U1 | HGTT-V/4-1250-6/-18,5 | 18,5 | 34,9 | 505 | E05 | 10.589,46 |
| GH4096040U1 | HGTT-V/4-900-6/-4 | 4 | 8,2 | 223 | E05 | 6.392,30 | GH4126220U1 | HGTT-V/4-1250-6/-22 | 22 | 40,9 | 526 | E05 | 11.368,58 |
| GH4096055U1 | HGTT-V/4-900-6/-5,5 | 5,5 | 10,3 | 252 | E05 | 6.532,47 | GH4126300U1 | HGTT-V/4-1250-6/-30 | 30 | 54,6 | 574 | E05 | 13.488,48 |
| GH4096075U1 | HGTT-V/4-900-6/-7,5 | 7,5 | 13,9 | 259 | E05 | 6.701,00 | GH4126370U1 | HGTT-V/4-1250-6/-37 | 37 | 65,6 | 720 | E05 | 14.387,51 |
| GH4096110U1 | HGTT-V/4-900-6/-11 | 11 | 20,7 | 312 | E05 | 7.454,16 | GH4126450U1 | HGTT-V/4-1250-6/-45 | 45 | 79,4 | 748 | E05 | 15.584,66 |
| GH4096150U1 | HGTT-V/4-900-6/-15 | 15 | 28,4 | 334 | E05 | 7.765,66 | GH4129150U1 | HGTT-V/4-1250-9/-15 | 15 | 28,4 | 483 | E05 | 10.409,57 |
| GH4099055U1 | HGTT-V/4-900-9/-5,5 | 5,5 | 10,3 | 258 | E05 | 6.700,45 | GH4129185U1 | HGTT-V/4-1250-9/-18,5 | 18,5 | 34,9 | 515 | E05 | 10.800,92 |
| GH4099075U1 | HGTT-V/4-900-9/-7,5 | 7,5 | 13,9 | 265 | E05 | 6.869,07 | GH4129220U1 | HGTT-V/4-1250-9/-22 | 22 | 40,9 | 536 | E05 | 11.606,53 |
| GH4099110U1 | HGTT-V/4-900-9/-11 | 11 | 20,7 | 318 | E05 | 7.622,18 | GH4129300U1 | HGTT-V/4-1250-9/-30 | 30 | 54,6 | 584 | E05 | 13.726,43 |
| GH4099150U1 | HGTT-V/4-900-9/-15 | 15 | 28,4 | 340 | E05 | 7.933,65 | GH4129370U1 | HGTT-V/4-1250-9/-37 | 37 | 65,6 | 730 | E05 | 14.625,41 |
| GH4106040U1 | HGTT-V/4-1000-6/-4 | 4 | 8,2 | 238 | E05 | 6.772,07 | GH4129450U1 | HGTT-V/4-1250-9/-45 | 45 | 79,4 | 758 | E05 | 15.870,59 |
| GH4106055U1 | HGTT-V/4-1000-6/-5,5 | 5,5 | 10,3 | 267 | E05 | 6.889,61 | | | | | | | |
| GH4106075U1 | HGTT-V/4-1000-6/-7,5 | 7,5 | 13,9 | 274 | E05 | 7.058,19 | | | | | | | |
| GH4106110U1 | HGTT-V/4-1000-6/-11 | 11 | 20,7 | 327 | E05 | 7.811,33 | | | | | | | |
| GH4106150U1 | HGTT-V/4-1000-6/-15 | 15 | 28,4 | 349 | E05 | 8.122,82 | | | | | | | |
| GH4106185U1 | HGTT-V/4-1000-6/-18,5 | 18,5 | 34,9 | 381 | E05 | 9.161,49 | | | | | | | |
| GH4106220U1 | HGTT-V/4-1000-6/-22 | 22 | 40,9 | 402 | E05 | 11.304,04 | | | | | | | |

4/8 POLOS

| Código | Modelo | Potencia motor (kW) | | Intensidad máxima absorbida a 400V (A) | | Peso (kg) | Grupo producto | Precio €/u. |
|--------|--------|---------------------|----|--|----|-----------|----------------|-------------|
| | | VA | VL | VA | VL | | | |

2 VELOCIDADES - 4/8 POLOS

| | | | | | | | | |
|--------------|----------------------------|-----|------|------|-----|-----|-----|-----------------|
| GH4708601701 | HGTT-V/4/8-800-6/-1,7/0,35 | 1,7 | 0,35 | 4 | 1,6 | 163 | E05 | 5.802,59 |
| GH4708602301 | HGTT-V/4/8-800-6/-2,3/0,5 | 2,3 | 0,5 | 5,2 | 1,9 | 167 | E05 | 5.919,62 |
| GH4708603001 | HGTT-V/4/8-800-6/-3/0,65 | 3 | 0,65 | 6,8 | 2,5 | 173 | E05 | 5.993,38 |
| GH4708604001 | HGTT-V/4/8-800-6/-4/0,75 | 4 | 0,75 | 8,7 | 3,5 | 184 | E05 | 6.147,57 |
| GH4708605011 | HGTT-V/4/8-800-6/-5/1 | 5 | 1 | 9,9 | 3,3 | 195 | E05 | 6.294,72 |
| GH4708605811 | HGTT-V/4/8-800-6/-6,8/1,4 | 6,8 | 1,4 | 13,7 | 5,1 | 206 | E05 | 6.471,75 |
| GH4708608421 | HGTT-V/4/8-800-6/-8,4/2,05 | 8,4 | 2,05 | 16,6 | 6,2 | 222 | E05 | 6.801,19 |

| | | | | | | | | |
|--------------|----------------------------|-----|------|------|-----|-----|-----|-----------------|
| GH4708903001 | HGTT-V/4/8-800-9/-3/0,65 | 3 | 0,65 | 6,8 | 2,5 | 178 | E05 | 6.187,38 |
| GH4708904001 | HGTT-V/4/8-800-9/-4/0,75 | 4 | 0,75 | 8,7 | 3,5 | 189 | E05 | 6.324,00 |
| GH4708905011 | HGTT-V/4/8-800-9/-5/1 | 5 | 1 | 9,9 | 3,3 | 200 | E05 | 6.471,14 |
| GH4708905811 | HGTT-V/4/8-800-9/-6,8/1,4 | 6,8 | 1,4 | 13,7 | 5,1 | 211 | E05 | 6.648,14 |
| GH4708908421 | HGTT-V/4/8-800-9/-8,4/2,05 | 8,4 | 2,05 | 16,6 | 6,2 | 227 | E05 | 6.939,74 |

| | | | | | | | | |
|--------------|----------------------------|------|------|------|-----|-----|-----|-----------------|
| GH4709603001 | HGTT-V/4/8-900-6/-3/0,65 | 3 | 0,65 | 6,8 | 2,5 | 215 | E05 | 6.615,86 |
| GH4709604001 | HGTT-V/4/8-900-6/-4/0,75 | 4 | 0,75 | 8,7 | 3,5 | 226 | E05 | 6.711,91 |
| GH4709605011 | HGTT-V/4/8-900-6/-5/1 | 5 | 1 | 9,9 | 3,3 | 237 | E05 | 6.859,07 |
| GH4709605811 | HGTT-V/4/8-900-6/-6,8/1,4 | 6,8 | 1,4 | 13,7 | 5,1 | 248 | E05 | 7.036,07 |
| GH4709608421 | HGTT-V/4/8-900-6/-8,4/2,05 | 8,4 | 2,05 | 16,6 | 6,2 | 264 | E05 | 7.300,21 |
| GH4709610521 | HGTT-V/4/8-900-6/-10,5/2,2 | 10,5 | 2,2 | 21 | 7,4 | 283 | E05 | 7.826,89 |
| GH4709615521 | HGTT-V/4/8-900-6/-15,5/2,7 | 15,5 | 2,7 | 30 | 9,5 | 306 | E05 | 8.153,91 |

| | | | | | | | | |
|--------------|----------------------------|------|------|------|-----|-----|-----|-----------------|
| GH4709904001 | HGTT-V/4/8-900-9/-4/0,75 | 4 | 0,75 | 8,7 | 3,5 | 232 | E05 | 6.780,85 |
| GH4709905011 | HGTT-V/4/8-900-9/-5/1 | 5 | 1 | 9,9 | 3,3 | 243 | E05 | 7.035,48 |
| GH4709905811 | HGTT-V/4/8-900-9/-6,8/1,4 | 6,8 | 1,4 | 13,7 | 5,1 | 254 | E05 | 7.212,51 |
| GH4709908421 | HGTT-V/4/8-900-9/-8,4/2,05 | 8,4 | 2,05 | 16,6 | 6,2 | 270 | E05 | 7.448,50 |
| GH4709910521 | HGTT-V/4/8-900-9/-10,5/2,2 | 10,5 | 2,2 | 21 | 7,4 | 289 | E05 | 8.003,30 |
| GH4709915521 | HGTT-V/4/8-900-9/-15,5/2,7 | 15,5 | 2,7 | 30 | 9,5 | 312 | E05 | 8.330,33 |

| Código | Modelo | Potencia motor (kW) | | Intensidad máxima absorbida a 400V (A) | | Peso (kg) | Grupo producto | Precio €/u. |
|--------|--------|---------------------|----|--|----|-----------|----------------|-------------|
| | | VA | VL | VA | VL | | | |

2 VELOCIDADES - 4/8 POLOS

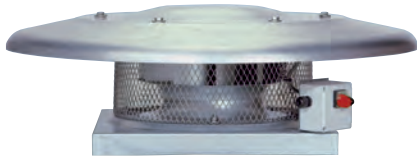
| | | | | | | | | |
|--------------|-----------------------------|------|------|------|-----|-----|-----|------------------|
| GH4710604001 | HGTT-V/4/8-1000-6/-4/0,75 | 4 | 0,75 | 8,7 | 3,5 | 241 | E05 | 7.110,66 |
| GH4710605011 | HGTT-V/4/8-1000-6/-5/1 | 5 | 1 | 9,9 | 3,3 | 252 | E05 | 7.234,10 |
| GH4710606811 | HGTT-V/4/8-1000-6/-6,8/1,4 | 6,8 | 1,4 | 13,7 | 5,1 | 263 | E05 | 7.411,10 |
| GH4710608421 | HGTT-V/4/8-1000-6/-8,4/2,05 | 8,4 | 2,05 | 16,6 | 6,2 | 279 | E05 | 7.766,04 |
| GH4710610521 | HGTT-V/4/8-1000-6/-10,5/2,2 | 10,5 | 2,2 | 21 | 7,4 | 298 | E05 | 8.201,90 |
| GH4710615521 | HGTT-V/4/8-1000-6/-15,5/2,7 | 15,5 | 2,7 | 30 | 9,5 | 321 | E05 | 8.528,97 |
| GH4710617031 | HGTT-V/4/8-1000-6/-17/3,4 | 17 | 3,4 | 33 | 11 | 341 | E05 | 9.619,59 |
| GH4710622041 | HGTT-V/4/8-1000-6/-22/4,4 | 22 | 4,4 | 43 | 15 | 365 | E05 | 11.869,26 |

| | | | | | | | | |
|--------------|-----------------------------|------|------|------|-----|-----|-----|------------------|
| GH4710906811 | HGTT-V/4/8-1000-9/-6,8/1,4 | 6,8 | 1,4 | 13,7 | 5,1 | 270 | E05 | 7.418,42 |
| GH4710908421 | HGTT-V/4/8-1000-9/-8,4/2,05 | 8,4 | 2,05 | 16,6 | 6,2 | 286 | E05 | 7.595,44 |
| GH4710910521 | HGTT-V/4/8-1000-9/-10,5/2,2 | 10,5 | 2,2 | 21 | 7,4 | 305 | E05 | 8.386,22 |
| GH4710915521 | HGTT-V/4/8-1000-9/-15,5/2,7 | 15,5 | 2,7 | 30 | 9,5 | 328 | E05 | 8.713,28 |
| GH4710917031 | HGTT-V/4/8-1000-9/-17/3,4 | 17 | 3,4 | 33 | 11 | 348 | E05 | 9.803,88 |
| GH4710922041 | HGTT-V/4/8-1000-9/-22/4,4 | 22 | 4,4 | 43 | 15 | 372 | E05 | 12.053,57 |

| | | | | | | | | |
|--------------|-----------------------------|------|-----|----|-----|-----|-----|------------------|
| GH4712610521 | HGTT-V/4/8-1250-6/-10,5/2,2 | 10,5 | 2,2 | 21 | 7,4 | 422 | E05 | 9.956,59 |
| GH4712615521 | HGTT-V/4/8-1250-6/-15,5/2,7 | 15,5 | 2,7 | 30 | 9,5 | 445 | E05 | 10.706,98 |
| GH4712617031 | HGTT-V/4/8-1250-6/-17/3,4 | 17 | 3,4 | 33 | 11 | 465 | E05 | 11.118,91 |
| GH4712622041 | HGTT-V/4/8-1250-6/-22/4,4 | 22 | 4,4 | 43 | 15 | 489 | E05 | 11.966,93 |
| GH4712633081 | HGTT-V/4/8-1250-6/-33/8 | 33 | 8 | 61 | 21 | 533 | E05 | 14.198,43 |
| GH4712642011 | HGTT-V/4/8-1250-6/-42/10 | 42 | 10 | 85 | 27 | 593 | E05 | 15.144,70 |

| | | | | | | | | |
|--------------|-----------------------------|------|-----|----|-----|-----|-----|------------------|
| GH4712915521 | HGTT-V/4/8-1250-9/-15,5/2,7 | 15,5 | 2,7 | 30 | 9,5 | 455 | E05 | 10.957,46 |
| GH4712917031 | HGTT-V/4/8-1250-9/-17/3,4 | 17 | 3,4 | 33 | 11 | 475 | E05 | 11.369,40 |
| GH4712922041 | HGTT-V/4/8-1250-9/-22/4,4 | 22 | 4,4 | 43 | 15 | 499 | E05 | 12.217,41 |
| GH4712933081 | HGTT-V/4/8-1250-9/-33/8 | 33 | 8 | 61 | 21 | 543 | E05 | 14.448,89 |
| GH4712942011 | HGTT-V/4/8-1250-9/-42/10 | 42 | 10 | 85 | 27 | 603 | E05 | 15.395,20 |
| GH4712950011 | HGTT-V/4/8-1250-9/-50/11 | 50 | 11 | 91 | 28 | 603 | E05 | 18.034,78 |

Serie CRHB-N/CRHT-N



Ventiladores centrífugos de tejado, de descarga horizontal, de muy bajo perfil, base de chapa de acero galvanizada, cubierta de aluminio, rodete centrifugo de álabes hacia atrás (de plástico para los modelos 225 y 250, de chapa de aluminio para los modelos 280 a 630), protegido con reja de seguridad antipájaros, motor de rotor exterior, con protector térmico e interruptor paro-marcha.



Motores

De 2, 4, ó 6 polos según versiones.
Tensión de alimentación
Monofásicos 230V-50/60Hz (1), IP54, Clase F, regulables por variación de tensión.
Trifásicos 230/400V-50/60Hz (2), IP54, Clase F.
Modelos trifásicos regulables por convertidor de frecuencia y por variación de tensión (excepto modelos 4-450 y 4-560).
(1) Modelos /4-500 y 6/630, 230V-50Hz.
(2) Modelos /4-450, 4/560 y 6/630, 230/400V-50Hz.

Serie CRVB-N/CRVT-N



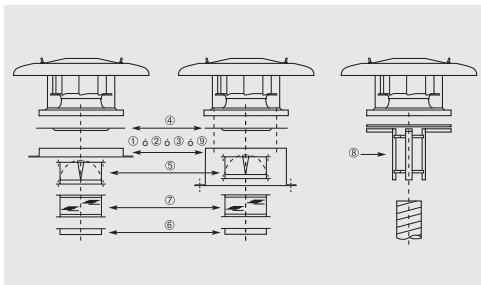
Ventiladores centrífugos de tejado, de descarga vertical, de muy bajo perfil, base de chapa de acero galvanizada, cubierta de aluminio, rodete centrifugo de álabes hacia atrás (de plástico para los modelos 225 y 250, de chapa de aluminio para los modelos 280 a 630), protegido con reja de seguridad antipájaros, motor de rotor exterior, con protector térmico e interruptor paro-marcha.



Motores

De 2, 4, ó 6 polos según versiones.
Tensión de alimentación
Monofásicos 230V-50/60Hz (1), IP54, Clase F, regulables por variación de tensión.
Trifásicos 230/400V-50/60Hz (2), IP54, Clase F.
Modelos trifásicos regulables por convertidor de frecuencia y por variación de tensión (excepto modelos 4-450 y 4-560).
(1) Modelos /4-500 y 6/630, 230V-50Hz.
(2) Modelos /4-450, 4/560 y 6/630, 230/400V-50Hz.

INSTALACIÓN ACCESORIOS DE MONTAJE SERIE CRHB-N/CRHT-N - CRVB-N/CRVT-N (Ver códigos y precios en Accesorios Generales)



| Modelo de extractor | ① Marco soporte | ② Base soporte aislada | ③ Base atenuadora acústica | ④ Placa de adaptación | ⑤ Compuerta anti-rretorno | ⑥ Brida | ⑦ Acoplamiento elástico | ⑧ Adaptación circular | ⑨ Base soporte cubiertas inclinadas |
|---------------------|-----------------|------------------------|----------------------------|-----------------------|---------------------------|---------|-------------------------|-----------------------|-------------------------------------|
| 225N | JMS-300 | JBS-300 | JAA-300 | JPA-300 | JCA-300 | JBR-300 | JAЕ-300 | JCC-300 | BI-3 |
| 250N | JMS-300 | JBS-300 | JAA-300 | JPA-300 | JCA-300 | JBR-300 | JAЕ-300 | JCC-300 | BI-3 |
| 280N | JMS-435 | JBS-435 | JAA-435 | JPA-435 | JCA-435 | JBR-435 | JAЕ-435 | JCC-435 | BI-4 |
| 315N | JMS-560 | JBS-560 | JAA-560 | JPA-560 | JCA-560 | JBR-560 | JAЕ-560 | JCC-560 | BI-5 |
| 355N | JMS-560 | JBS-560 | JAA-560 | JPA-560 | JCA-560 | JBR-560 | JAЕ-560 | JCC-560 | BI-5 |
| 400N | JMS-630 | JBS-630 | JAA-630 | JPA-630 | JCA-630 | JBR-630 | JAЕ-630 | JCC-630 | BI-6 |
| 450N | JMS-630 | JBS-630 | JAA-630 | JPA-630 | JCA-630 | JBR-630 | JAЕ-630 | JCC-630 | BI-6 |
| 500N | JMS-710 | JBS-710 | JAA-710 | JPA-710 | JCA-710 | JBR-710 | JAЕ-710 | - | BI-7 |
| 560N | JMS-905 | JBS-905 | JAA-905 | JPA-905 | JCA-905 | JBR-905 | JAЕ-905 | - | BI-9 |
| 630N | JMS-905 | JBS-905 | JAA-905 | JPA-905 | JCA-905 | JBR-905 | JAЕ-905 | - | BI-9 |

Es imprescindible comprobar que las características eléctricas (voltaje, intensidad, frecuencia, etc) del motor que aparecen en la placa del mismo son compatibles con las de la instalación.

| Código | Modelo | Velocidad (r.p.m.) | Potencia absorbida máxima (W) | Intensidad máxima absorbida a 230V** (A) | Caudal máximo (m³/h) | Nivel presión sonora* (dB(A)) | | Temperatura de trabajo a 50Hz (°C) | Peso (kg) | Regulador de tensión | | Grupo producto | Precio €/u. |
|---------------------|-------------|--------------------|-------------------------------|--|----------------------|-------------------------------|----------|------------------------------------|-----------|----------------------|---------|----------------|-----------------|
| | | | | | | Aspiración | Descarga | | | REB | RMB | | |
| MONOFÁSICOS 2 POLOS | | | | | | | | | | | | | |
| 5136911300 | CRHB/2-225N | 2640 | 160 | 0,7 | 1.160 | 44 | 50 | -40/+70 | 11 | REB-1N | RMB-1,5 | E05 | 821,16 |
| 5136911700 | CRHB/2-250N | 2630 | 236 | 1,0(1,1) | 1.390 | 52 | 58 | -40/+70 | 11,5 | REB-2,5N | RMB-1,5 | E05 | 860,41 |
| MONOFÁSICOS 4 POLOS | | | | | | | | | | | | | |
| 5136911500 | CRHB/4-225N | 1400 | 41 | 0,2 | 600 | 36 | 42 | -40/+70 | 10 | REB-1N | RMB-1,5 | E05 | 656,91 |
| 5136911900 | CRHB/4-250N | 1320 | 46 | 0,2 | 740 | 38 | 44 | -40/+70 | 10,5 | REB-1N | RMB-1,5 | E05 | 688,34 |
| 5136912100 | CRHB/4-280N | 1280 | 101 | 0,4 | 1.530 | 41 | 47 | -40/+70 | 17 | REB-1N | RMB-1,5 | E05 | 870,54 |
| 5136912500 | CRHB/4-315N | 1370 | 157 | 0,7(0,8) | 2.110 | 45 | 52 | -40/+70 | 25,5 | REB-1N | RMB-1,5 | E05 | 1.035,86 |
| 5136913500 | CRHB/4-355N | 1370 | 296 | 1,2(1,5) | 2.960 | 51 | 57 | -40/+70 | 27 | REB-2,5N | RMB-3,5 | E05 | 1.211,21 |
| 5136916800 | CRHB/4-400N | 1380 | 544 | 2,3(2,7) | 4.540 | 53 | 60 | -40/+55 | 30,5 | REB-5 | RMB-3,5 | E05 | 1.515,98 |
| 5136917600 | CRHB/4-450N | 1410 | 925 | 3,8(5,5) | 6.310 | 60 | 68 | -40/+70 | 42 | REB-10 | RMB-8 | E05 | 1.858,53 |
| 5136979000 | CRHB/4-500N | 1410 | 1.588 | 6,6(9,1) | 8.770 | 63 | 71 | -40/+40 | 60 | REB-10 | RMB-10 | E05 | 2.082,27 |
| MONOFÁSICOS 6 POLOS | | | | | | | | | | | | | |
| 5136912700 | CRHB/6-315N | 880 | 60 | 0,3 | 1.420 | 36 | 44 | -40/+70 | 24 | REB-1N | RMB-1,5 | E05 | 1.019,47 |
| 5136913700 | CRHB/6-355N | 890 | 116 | 0,6 | 2.130 | 38 | 45 | -40/+70 | 24,5 | REB-1N | RMB-1,5 | E05 | 1.193,01 |
| 5136917000 | CRHB/6-400N | 910 | 171 | 0,7 | 2.950 | 45 | 51 | -40/+70 | 30,5 | REB-1N | RMB-1,5 | E05 | 1.486,26 |
| 5136917800 | CRHB/6-450N | 900 | 306 | 1,3 | 4.220 | 49 | 56 | -40/+60 | 32 | REB-2,5N | RMB-1,5 | E05 | 1.822,10 |
| 5136979200 | CRHB/6-500N | 910 | 445 | 1,9(2,5) | 5.930 | 51 | 58 | -40/+70 | 47 | REB-2,5N | RMB-3,5 | E05 | 2.041,46 |
| 5136979800 | CRHB/6-560N | 930 | 917 | 4,4(5,1) | 9.350 | 56 | 64 | -40/+70 | 60 | REB-10 | RMB-8 | E05 | 2.187,53 |
| 5136980400 | CRHB/6-630N | 890 | 1.533 | 5,7(7,1) | 13.240 | 59 | 67 | -40/+50 | 68 | REB-10 | RMB-8 | E05 | 2.266,28 |

* Nivel de presión acústica medido a 3 m, en propagación semiesférica, en el punto de trabajo 2 de la curva de rendimiento.

** Corriente máxima cuando la velocidad está controlada por la tensión.

| Código | Modelo | Velocidad (r.p.m.) | Potencia absorbida máxima (W) | Intensidad máxima absorbida** (A) | | Caudal máximo (m³/h) | Nivel presión sonora* (dB(A)) | | Temperatura de trabajo a 50Hz (°C) | Peso (kg) | Convertidor de frecuencia | | | | Grupo producto | Precio €/u. |
|--------------------|-------------|--------------------|-------------------------------|-----------------------------------|------|----------------------|-------------------------------|--------|------------------------------------|-----------|---------------------------|--------|------|------|----------------|-----------------|
| | | | | 230V | 400V | | Aspiración Descarga | | | | VFKB VFTM | | | | | |
| | | | | | | | 1-230V | 3-400V | | | 1-230V | 3-400V | | | | |
| TRIFÁSICOS 4 POLOS | | | | | | | | | | | | | | | | |
| 5136912900 | CRHT/4-315N | 1370 | 162 | 0,7 | 0,4 | 2.200 | 44 | 51 | -40/+70 | 24,5 | 24 | 45 | 0,18 | 0,37 | E05 | 1.029,15 |
| 5136913900 | CRHT/4-355N | 1390 | 305 | 1,2 | 0,7 | 3.190 | 44 | 51 | -40/+65 | 26 | 24 | 45 | 0,18 | 0,37 | E05 | 1.203,25 |
| 5136917200 | CRHT/4-400N | 1370 | 517 | 1,9 | 1,1 | 4.630 | 54 | 60 | -40/+70 | 29,5 | 24 | 45 | 0,37 | 0,37 | E05 | 1.508,82 |
| 5136918000 | CRHT/4-450N | 1400 | 893 | 3,3 | 1,9 | 6.180 | 58 | 66 | -40/+60 | 40 | 24 | 45 | 0,55 | 0,75 | E05 | 1.851,41 |
| 5136979400 | CRHT/4-500N | 1420 | 1.552 | 5,4 | 3,1 | 8.680 | 64 | 71 | -40/+70 | 53 | 24 | 45 | 1,1 | 1,5 | E05 | 2.075,14 |
| 5136980000 | CRHT/4-560N | 1350 | 2.619 | 7,8 | 4,5 | 13.220 | 66 | 75 | -40/+60 | 64,5 | 24 | 45 | 1,5 | 2,2 | E05 | 2.232,40 |
| TRIFÁSICOS 6 POLOS | | | | | | | | | | | | | | | | |
| 5136913100 | CRHT/6-315N | 920 | 67 | 0,3 | 0,2 | 1.450 | 35 | 43 | -40/+70 | 24,5 | 24 | 45 | 0,18 | 0,37 | E05 | 1.011,53 |
| 5136914100 | CRHT/6-355N | 900 | 119 | 0,5 | 0,3 | 2.140 | 38 | 49 | -40/+70 | 25 | 24 | 45 | 0,18 | 0,37 | E05 | 1.184,26 |
| 5136917400 | CRHT/6-400N | 910 | 155 | 0,5 | 0,3 | 2.940 | 45 | 51 | -40/+70 | 29 | 24 | 45 | 0,18 | 0,37 | E05 | 1.479,09 |
| 5136918200 | CRHT/6-450N | 890 | 269 | 0,9 | 0,5 | 4.080 | 47 | 53 | -40/+70 | 29,5 | 24 | 45 | 0,18 | 0,37 | E05 | 1.814,97 |
| 5136979600 | CRHT/6-500N | 910 | 500 | 1,7 | 1,0 | 6.030 | 49 | 57 | -40/+70 | 40 | 24 | 45 | 0,37 | 0,37 | E05 | 2.034,27 |
| 5136980200 | CRHT/6-560N | 930 | 889 | 3,5 | 2,0 | 9.420 | 55 | 64 | -40/+70 | 58 | 24 | 45 | 0,75 | 0,75 | E05 | 2.188,64 |
| 5136980600 | CRHT/6-630N | 910 | 1.519 | 6,3 | 3,6 | 13.400 | 58 | 66 | -40/+55 | 65 | 24 | 45 | 1,1 | 1,5 | E05 | 2.267,42 |

* Nivel de presión acústica medido a 3 m, en propagación semiesférica, en el punto de trabajo 2 de la curva de rendimiento.

** A 50Hz sin convertidor de frecuencia.

Es imprescindible comprobar que las características eléctricas (voltaje, intensidad, frecuencia, etc) del motor que aparecen en la placa del mismo son compatibles con las de la instalación.

| Código | Modelo | Velocidad (r.p.m.) | Potencia absorbida máxima (W) | Intensidad máxima absorbida a 230V** (A) | Caudal máximo (m³/h) | Nivel presión sonora* (dB(A)) | | Temperatura de trabajo a 50Hz (°C) | Peso (kg) | Regulador de tensión | | Grupo producto | Precio €/u. |
|---------------------|-------------|--------------------|-------------------------------|--|----------------------|-------------------------------|----------|------------------------------------|-----------|----------------------|---------|----------------|-----------------|
| | | | | | | Aspiración | Descarga | | | REB | RMB | | |
| MONOFÁSICOS 2 POLOS | | | | | | | | | | | | | |
| 5136911400 | CRVB/2-225N | 2660 | 157 | 0,7 | 1.080 | 49 | 54 | -40/+70 | 11 | REB-1N | RMB-1,5 | E05 | 1.088,18 |
| 5136911800 | CRVB/2-250N | 2640 | 231 | 1,0(1,1) | 1.320 | 52 | 58 | -40/+70 | 11,5 | REB-2,5N | RMB-1,5 | E05 | 1.117,47 |
| MONOFÁSICOS 4 POLOS | | | | | | | | | | | | | |
| 5136911600 | CRVB/4-225N | 1410 | 41 | 0,2 | 570 | 36 | 40 | -40/+70 | 10 | REB-1N | RMB-1,5 | E05 | 870,54 |
| 5136912000 | CRVB/4-250N | 1370 | 46 | 0,2 | 690 | 38 | 44 | -40/+70 | 10,5 | REB-1N | RMB-1,5 | E05 | 893,92 |
| 5136912200 | CRVB/4-280N | 1280 | 99 | 0,4 | 1.350 | 43 | 48 | -40/+70 | 17,5 | REB-1N | RMB-1,5 | E05 | 1.102,89 |
| 5136912600 | CRVB/4-315N | 1380 | 156 | 0,7(0,8) | 2.050 | 48 | 53 | -40/+70 | 27 | REB-1N | RMB-1,5 | E05 | 1.251,25 |
| 5136913600 | CRVB/4-355N | 1370 | 296 | 1,2 | 2.960 | 51 | 57 | -40/+70 | 29,5 | REB-2,5N | RMB-1,5 | E05 | 1.503,27 |
| 5136916900 | CRVB/4-400N | 1380 | 570 | 2,4(2,8) | 4.530 | 55 | 59 | -40/+55 | 29 | REB-5 | RMB-3,5 | E05 | 1.894,99 |
| 5136917700 | CRVB/4-450N | 1410 | 904 | 3,7(5,6) | 6.280 | 61 | 65 | -40/+70 | 40,5 | REB-10 | RMB-8 | E05 | 2.323,20 |
| 5136979100 | CRVB/4-500N | 1410 | 1.587 | 6,5(9,1) | 8.550 | 63 | 67 | -40/+40 | 61,5 | REB-10 | RMB-10 | E05 | 2.602,82 |
| MONOFÁSICOS 6 POLOS | | | | | | | | | | | | | |
| 5136912800 | CRVB/6-315N | 880 | 60 | 0,3 | 1.380 | 36 | 43 | -40/+50 | 25,5 | REB-1N | RMB-1,5 | E05 | 1.200,98 |
| 5136913800 | CRVB/6-355N | 890 | 116 | 0,6 | 2.030 | 39 | 45 | -40/+50 | 26,5 | REB-1N | RMB-1,5 | E05 | 1.442,80 |
| 5136917100 | CRVB/6-400N | 910 | 166 | 0,7 | 2.900 | 46 | 48 | -40/+70 | 27,5 | REB-1N | RMB-1,5 | E05 | 1.819,18 |
| 5136917900 | CRVB/6-450N | 890 | 310 | 1,3 | 4.070 | 49 | 53 | -40/+60 | 30 | REB-2,5N | RMB-1,5 | E05 | 2.230,26 |
| 5136979300 | CRVB/6-500N | 910 | 444 | 1,9(2,4) | 5.750 | 51 | 56 | -40/+70 | 48,5 | REB-2,5N | RMB-3,5 | E05 | 2.498,73 |
| 5136979900 | CRVB/6-560N | 930 | 930 | 4,4(5,1) | 8.920 | 56 | 61 | -40/+70 | 65 | REB-10 | RMB-8 | E05 | 2.688,20 |
| 5136980500 | CRVB/6-630N | 900 | 1.550 | 6,6(6,9) | 12.410 | 58 | 65 | -40/+50 | 73 | REB-10 | RMB-8 | E05 | 2.838,48 |

* Nivel de presión acústica medido a 3 m, en propagación semiesférica, en el punto de trabajo 2 de la curva de rendimiento.

** Corriente máxima cuando la velocidad está controlada por la tensión.

| Código | Modelo | Velocidad (r.p.m.) | Potencia absorbida máxima (W) | Intensidad máxima absorbida** (A) | | Caudal máximo (m³/h) | Nivel presión sonora* (dB(A)) | | Temperatura de trabajo a 50Hz (°C) | Peso (kg) | Convertidor de frecuencia | | | | Grupo producto | Precio €/u. | | |
|--------------------|-------------|--------------------|-------------------------------|-----------------------------------|------|----------------------|-------------------------------|--------|------------------------------------|-----------|---------------------------|--------|--------|--------|----------------|-----------------|------|--|
| | | | | 230V | 400V | | Aspiración | | | | Descarga | | VFKB | | | | VFTM | |
| | | | | | | | 1-230V | 3-400V | | | 1-230V | 3-400V | 1-230V | 3-400V | | | | |
| TRIFÁSICOS 4 POLOS | | | | | | | | | | | | | | | | | | |
| 5136913000 | CRVT/4-315N | 1370 | 160 | 0,7 | 0,4 | 2.130 | 46 | 51 | -40/+70 | 26 | 24 | 45 | 0,18 | 0,37 | E05 | 1.242,38 | | |
| 5136914000 | CRVT/4-355N | 1390 | 296 | 1,2 | 0,7 | 3.030 | 47 | 53 | -40/+65 | 27 | 24 | 45 | 0,18 | 0,37 | E05 | 1.495,36 | | |
| 5136917300 | CRVT/4-400N | 1380 | 504 | 1,9 | 1,1 | 4.540 | 54 | 58 | -40/+70 | 28 | 24 | 45 | 0,37 | 0,37 | E05 | 1.902,14 | | |
| 5136918100 | CRVT/4-450N | 1390 | 900 | 3,1 | 1,8 | 6.080 | 58 | 63 | -40/+70 | 38,5 | 24 | 45 | 0,55 | 0,75 | E05 | 2.330,37 | | |
| 5136979500 | CRVT/4-500N | 1420 | 1.588 | 5,4 | 3,1 | 8.530 | 64 | 68 | -40/+70 | 54,5 | 24 | 45 | 1,1 | 1,5 | E05 | 2.609,96 | | |
| 5136980100 | CRVT/4-560N | 1350 | 2.639 | 8,0 | 4,6 | 12.710 | 65 | 71 | -40/+60 | 70 | 24 | 45 | 1,5 | 2,2 | E05 | 3.000,44 | | |
| TRIFÁSICOS 6 POLOS | | | | | | | | | | | | | | | | | | |
| 5136913200 | CRVT/6-315N | 920 | 66 | 0,3 | 0,2 | 1.410 | 36 | 43 | -40/+70 | 26 | 24 | 45 | 0,18 | 0,37 | E05 | 1.192,27 | | |
| 5136914200 | CRVT/6-355N | 900 | 118 | 0,5 | 0,3 | 2.080 | 39 | 54 | -40/+70 | 27 | 24 | 45 | 0,18 | 0,37 | E05 | 1.434,03 | | |
| 5136917500 | CRVT/6-400N | 920 | 153 | 0,5 | 0,3 | 2.830 | 44 | 49 | -40/+70 | 27,5 | 24 | 45 | 0,18 | 0,37 | E05 | 1.826,05 | | |
| 5136918300 | CRVT/6-450N | 890 | 267 | 0,9 | 0,5 | 3.800 | 48 | 51 | -40/+70 | 28 | 24 | 45 | 0,18 | 0,37 | E05 | 2.237,13 | | |
| 5136979700 | CRVT/6-500N | 920 | 498 | 1,9 | 1,1 | 5.940 | 50 | 55 | -40/+70 | 41 | 24 | 45 | 0,37 | 0,37 | E05 | 2.505,60 | | |
| 5136980300 | CRVT/6-560N | 930 | 882 | 3,5 | 2,0 | 9.010 | 57 | 60 | -40/+70 | 63,5 | 24 | 45 | 0,75 | 0,75 | E05 | 2.880,42 | | |
| 5136980700 | CRVT/6-630N | 900 | 1.521 | 6,4 | 3,7 | 12.550 | 58 | 64 | -40/+55 | 70 | 24 | 45 | 1,1 | 1,5 | E05 | 2.984,10 | | |

* Nivel de presión acústica medido a 3 m, en propagación semiesférica, en el punto de trabajo 2 de la curva de rendimiento.

** A 50Hz sin convertidor de frecuencia.

Serie CRHB-N/CRHT-N ECOWATT



Ventiladores centrífugos de tejado, de bajo perfil, de descarga horizontal, compuestos por:

- Rodete centrífugo de álabes hacia atrás.
- Reja de protección antipájaros.
- Base de chapa de acero galvanizada y cubierta de aluminio.
- Interruptor paro-marcha.
- Motor brushless EC de corriente continua, de alto rendimiento, bajo consumo, rodamientos a bolas, protector térmico incorporado y capacitados para trabajar a temperaturas de -20°C a +40°C.

Versión monofásica 230V±10% 50/60Hz, IP44.

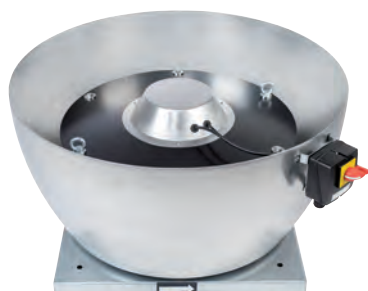
Versión trifásica 400V±10% 50/60Hz, IP54.

Velocidad regulable mediante potenciómetro ubicado en la caja de bornes o mediante control externo tipo REB-ECOWATT.

Entrada analógica para controlar el ventilador con una señal externa de 0-10V.



Serie CRVB-N/CRVT-N ECOWATT



Ventiladores centrífugos de tejado, de bajo perfil, de descarga vertical, compuestos por:

- Rodete centrífugo de álabes hacia atrás.
- Reja de protección antipájaros.
- Base de chapa de acero galvanizada y cubierta de aluminio.
- Interruptor paro-marcha.
- Motor brushless EC de corriente continua, de alto rendimiento, bajo consumo, rodamientos a bolas, protector térmico incorporado y capacitados para trabajar a temperaturas de -20°C a +40°C.

Versión monofásica 230V±10% 50/60Hz, IP44.

Versión trifásica 400V±10% 50/60Hz, IP54.

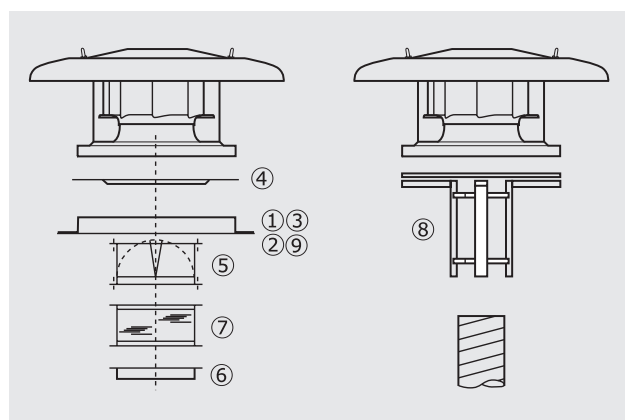
Velocidad regulable mediante potenciómetro ubicado en la caja de bornes o mediante control externo tipo REB-ECOWATT.

Entrada analógica para controlar el ventilador con una señal externa de 0-10V.



INSTALACIÓN ACCESORIOS DE MONTAJE SERIE CRHB-N/CRHT-N ECOWATT - CRVB-N/CRVT-N ECOWATT

(Ver códigos y precios en Accesorios Generales)



| Modelo de extractor | ① Marco soporte | ② Base soporte aislada | ③ Base atenuadora acústica | ④ Placa de adaptación | ⑤ Compuerta antirretorno | ⑥ Brida | ⑦ Acoplamiento elástico | ⑧ Adaptación circular | ⑨ Base soporte cubiertas inclinadas |
|---------------------|-----------------|------------------------|----------------------------|-----------------------|--------------------------|-----------|-------------------------|-----------------------|-------------------------------------|
| 250N | JMS-300 | JBS-300 | JAA-300 | JPA-300 | JCA-300 | JBR-300 N | JAЕ-300 N | JCC-300 | BI-3 |
| 280N | JMS-435 | JBS-435 | JAA-435 | JPA-435 | JCA-435 | JBR-435 | JAЕ-435 | JCC-435 | BI-4 |
| 315N | JMS-560 | JBS-560 | JAA-560 | JPA-560 | JCA-560 | JBR-560 | JAЕ-560 | JCC-560 | BI-5 |
| 355N | JMS-560 | JBS-560 | JAA-560 | JPA-560 | JCA-560 | JBR-560 | JAЕ-560 | JCC-560 | BI-5 |
| 400N | JMS-630 | JBS-630 | JAA-630 | JPA-630 | JCA-630 | JBR-630 | JAЕ-630 | JCC-630 | BI-6 |
| 450N | JMS-630 | JBS-630 | JAA-630 | JPA-630 | JCA-630 | JBR-630 | JAЕ-630 | JCC-630 | BI-6 |
| 500N | JMS-710 | JBS-710 | JAA-710 | JPA-710 | JCA-710 | JBR-710 | JAЕ-710 | - | BI-7 |
| 560N | JMS-905 | JBS-905 | JAA-905 | JPA-905 | JCA-905 | JBR-905 | JAЕ-905 | - | BI-9 |
| 630N | JMS-905 | JBS-905 | JAA-905 | JPA-905 | JCA-905 | JBR-905 | JAЕ-905 | - | BI-9 |

Es imprescindible comprobar que las características eléctricas (voltaje, intensidad, frecuencia, etc) del motor que aparecen en la placa del mismo son compatibles con las de la instalación.

| Código | Modelo | Tensión de regulación (V) | Velocidad (r.p.m.) | Potencia absorbida máxima (W) | Intensidad máxima absorbida (A) | Caudal máximo (m³/h) | Nivel presión sonora* a 4 m (dB(A)) | | Peso (kg) | Grupo producto | Precio €/u. |
|--|--------------------|---------------------------|--------------------|-------------------------------|---------------------------------|----------------------|-------------------------------------|----------|-----------|----------------|-----------------|
| | | | | | | | Aspiración | Descarga | | | |
| MODELOS DESCARGA HORIZONTAL MONOFÁSICOS | | | | | | | | | | | |
| 5136004100 | CRHB-250 N ECOWATT | 10 | 2640 | 216 | 1,4 | 1.380 | 47 | 53 | 10 | E05 | 872,95 |
| | | 8 | 2280 | 140 | 1,0 | 1.190 | 44 | 49 | | | |
| | | 6 | 1770 | 70 | 0,5 | 920 | 38 | 44 | | | |
| | | 4 | 1270 | 30 | 0,2 | 670 | 31 | 37 | | | |
| 5136916100 | CRHB-280 N ECOWATT | 10 | 1800 | 180 | 0,8 | 2.026 | 44 | 51 | 16 | E05 | 1.163,95 |
| | | 8 | 1592 | 131 | 0,6 | 1.593 | 42 | 49 | | | |
| | | 6 | 1288 | 75 | 0,4 | 1.439 | 37 | 44 | | | |
| | | 4 | 979 | 39 | 0,2 | 1.093 | 31 | 38 | | | |
| 5136916200 | CRHB-315 N ECOWATT | 10 | 1700 | 276 | 0,8 | 2.812 | 49 | 52 | 18 | E05 | 1.360,92 |
| | | 8 | 1493 | 200 | 0,6 | 2.498 | 47 | 50 | | | |
| | | 6 | 1295 | 127 | 0,3 | 2.204 | 44 | 48 | | | |
| | | 4 | 1091 | 78 | 0,3 | 1.826 | 39 | 43 | | | |
| 5136916300 | CRHB-355 N ECOWATT | 10 | 1499 | 338 | 1,4 | 3.456 | 46 | 54 | 22 | E05 | 1.549,05 |
| | | 8 | 1332 | 238 | 1,0 | 3.082 | 43 | 51 | | | |
| | | 6 | 1098 | 143 | 0,6 | 2.644 | 39 | 47 | | | |
| | | 4 | 859 | 73 | 0,3 | 2.024 | 34 | 42 | | | |
| 5136007000 | CRHB-400 N ECOWATT | 10 | 1770 | 917 | 3,8 | 5.730 | 55 | 62 | 32 | E05 | 2.117,96 |
| | | 8 | 1580 | 664 | 2,8 | 4.990 | 53 | 60 | | | |
| | | 6 | 1250 | 345 | 1,5 | 3.990 | 48 | 54 | | | |
| | | 4 | 950 | 167 | 0,7 | 2.960 | 42 | 48 | | | |
| 5136007500 | CRHB-450 N ECOWATT | 10 | 1400 | 861 | 3,6 | 6.280 | 53 | 60 | 35 | E05 | 2.199,83 |
| | | 8 | 1230 | 594 | 2,5 | 5.520 | 50 | 57 | | | |
| | | 6 | 1020 | 340 | 1,4 | 4.540 | 46 | 53 | | | |
| | | 4 | 820 | 188 | 0,8 | 3.650 | 41 | 48 | | | |
| MODELOS DESCARGA HORIZONTAL TRIFÁSICOS | | | | | | | | | | | |
| 5136011700 | CRHT-450 N ECOWATT | 10 | 1600 | 1267 | 2,1 | 7.100 | 56 | 65 | 35 | E05 | 2.683,93 |
| | | 8 | 1400 | 847 | 1,4 | 6.270 | 53 | 62 | | | |
| | | 6 | 1140 | 481 | 0,9 | 5.080 | 48 | 58 | | | |
| | | 4 | 890 | 243 | 0,5 | 3.940 | 43 | 52 | | | |
| 5136007700 | CRHT-500 N ECOWATT | 10 | 1270 | 1145 | 1,8 | 7.970 | 53 | 60 | 40 | E05 | 2.880,57 |
| | | 8 | 1130 | 810 | 1,4 | 7.100 | 50 | 57 | | | |
| | | 6 | 950 | 481 | 0,9 | 5.980 | 46 | 54 | | | |
| | | 4 | 770 | 271 | 0,6 | 4.870 | 42 | 49 | | | |
| 5136008100 | CRHT-560 N ECOWATT | 10 | 1380 | 2520 | 3,7 | 13.070 | 59 | 68 | 69 | E05 | 3.738,55 |
| | | 8 | 1180 | 1561 | 2,3 | 10.990 | 57 | 65 | | | |
| | | 6 | 925 | 778 | 1,2 | 8.690 | 52 | 61 | | | |
| | | 4 | 680 | 347 | 0,7 | 6.590 | 47 | 55 | | | |
| 5136008500 | CRHT-630 N ECOWATT | 10 | 1050 | 2079 | 3,0 | 14.380 | 56 | 65 | 70 | E05 | 3.776,32 |
| | | 8 | 890 | 1276 | 1,9 | 12.330 | 54 | 62 | | | |
| | | 6 | 730 | 706 | 1,2 | 10.040 | 49 | 58 | | | |
| | | 4 | 565 | 352 | 0,7 | 7.863 | 44 | 52 | | | |

* Nivel de presión sonora, medido a 4 metros, con el extractor de tejado instalado en una superficie plana, trabajando en los puntos 2 - 5 - 8 y 11 de la curva característica.

Es imprescindible comprobar que las características eléctricas (voltaje, intensidad, frecuencia, etc) del motor que aparecen en la placa del mismo son compatibles con las de la instalación.

| Código | Modelo | Tensión de regulación (V) | Velocidad (r.p.m.) | Potencia absorbida máxima (W) | Intensidad máxima absorbida (A) | Caudal máximo (m³/h) | Nivel presión sonora* a 4 m (dB(A)) | | Peso (kg) | Grupo producto | Precio €/u. |
|--|--------------------|---------------------------|--------------------|-------------------------------|---------------------------------|----------------------|-------------------------------------|----------|-----------|----------------|-----------------|
| | | | | | | | Aspiración | Descarga | | | |
| MODELOS DESCARGA VERTICAL MONOFÁSICOS | | | | | | | | | | | |
| 5136004000 | CRVB-250 N ECOWATT | 10 | 2640 | 216 | 1,4 | 1.320 | 47 | 51 | 11 | E05 | 1.183,30 |
| | | 8 | 2280 | 142 | 1,0 | 1.150 | 44 | 48 | | | |
| | | 6 | 1770 | 71 | 0,5 | 890 | 38 | 43 | | | |
| | | 4 | 1260 | 31 | 0,3 | 640 | 31 | 35 | | | |
| 5136915800 | CRVB-280 N ECOWATT | 10 | 1799 | 183 | 0,8 | 1.823 | 46 | 55 | 18 | E05 | 1.405,96 |
| | | 8 | 1576 | 129 | 0,6 | 1.593 | 43 | 52 | | | |
| | | 6 | 1273 | 74 | 0,4 | 1.283 | 38 | 47 | | | |
| | | 4 | 967 | 30 | 0,3 | 988 | 32 | 41 | | | |
| 5136915900 | CRVB-315 N ECOWATT | 10 | 1700 | 270 | 0,8 | 2.703 | 51 | 58 | 20 | E05 | 1.689,15 |
| | | 8 | 1468 | 183 | 0,6 | 2.411 | 47 | 55 | | | |
| | | 6 | 1276 | 124 | 0,3 | 2.087 | 43 | 50 | | | |
| | | 4 | 1078 | 81 | 0,2 | 1.756 | 38 | 44 | | | |
| 5136916000 | CRVB-355 N ECOWATT | 10 | 1499 | 348 | 1,5 | 3.388 | 43 | 49 | 25 | E05 | 1.860,35 |
| | | 8 | 1332 | 242 | 1,0 | 3.016 | 40 | 46 | | | |
| | | 6 | 1105 | 143 | 0,6 | 2.530 | 36 | 43 | | | |
| | | 4 | 862 | 74 | 0,4 | 2.051 | 31 | 37 | | | |
| 5136006800 | CRVB-400 N ECOWATT | 10 | 1770 | 953 | 3,9 | 5.560 | 55 | 58 | 34 | E05 | 2.329,76 |
| | | 8 | 1560 | 646 | 2,7 | 4.920 | 52 | 55 | | | |
| | | 6 | 1270 | 366 | 1,5 | 3.980 | 48 | 51 | | | |
| | | 4 | 960 | 173 | 0,8 | 2.900 | 41 | 45 | | | |
| 5136007300 | CRVB-450 N ECOWATT | 10 | 1400 | 839 | 3,5 | 6.050 | 47 | 59 | 37 | E05 | 2.419,82 |
| | | 8 | 1260 | 654 | 2,7 | 5.460 | 45 | 57 | | | |
| | | 6 | 1030 | 362 | 1,5 | 4.440 | 40 | 52 | | | |
| | | 4 | 820 | 196 | 0,8 | 3.540 | 35 | 47 | | | |
| MODELOS DESCARGA VERTICAL TRIFÁSICOS | | | | | | | | | | | |
| 5136011500 | CRVT-450 N ECOWATT | 10 | 1570 | 1228 | 2,0 | 6.690 | 56 | 61 | 37 | E05 | 2.764,43 |
| | | 8 | 1420 | 849 | 1,4 | 6.000 | 53 | 58 | | | |
| | | 6 | 1160 | 496 | 0,9 | 4.880 | 48 | 54 | | | |
| | | 4 | 890 | 244 | 0,5 | 3.720 | 43 | 48 | | | |
| 5136007900 | CRVT-500 N ECOWATT | 10 | 1270 | 1156 | 1,9 | 7.660 | 52 | 58 | 44 | E05 | 2.989,41 |
| | | 8 | 1140 | 818 | 1,5 | 6.900 | 50 | 56 | | | |
| | | 6 | 960 | 488 | 0,9 | 5.770 | 46 | 52 | | | |
| | | 4 | 770 | 267 | 0,6 | 4.730 | 42 | 47 | | | |
| 5136008300 | CRVT-560 N ECOWATT | 10 | 1380 | 2457 | 3,6 | 12.340 | 58 | 66 | 72 | E05 | 3.841,75 |
| | | 8 | 1150 | 1442 | 2,2 | 10.290 | 57 | 64 | | | |
| | | 6 | 920 | 751 | 1,2 | 8.201 | 52 | 59 | | | |
| | | 4 | 665 | 313 | 0,6 | 6.000 | 47 | 53 | | | |
| 5136008700 | CRVT-630 N ECOWATT | 10 | 1040 | 2039 | 3,2 | 13.320 | 57 | 62 | 73 | E05 | 3.878,89 |
| | | 8 | 890 | 1261 | 2,1 | 11.390 | 54 | 59 | | | |
| | | 6 | 725 | 694 | 1,2 | 9.368 | 49 | 55 | | | |
| | | 4 | 560 | 345 | 0,7 | 7.254 | 44 | 49 | | | |

* Nivel de presión sonora, medido a 4 metros, con el extractor de tejado instalado en una superficie plana, trabajando en los puntos 2 - 5 - 8 y 11 de la curva característica.

(N) NOVEDAD

Serie CRHB-N ECOWATT PLUS



Modelos 250 a 355



Modelos 400 a 630

PRESIÓN
CONSTANTECAUDAL
CONSTANTE

Ampliación de gama

Ventiladores centrífugos de tejado, autorregulados, de bajo perfil, de descarga horizontal, compuestos por motor brushless de rotor exterior de corriente continua, rodete centrífugo álabes hacia atrás, reja de protección antipájaros, base de chapa de acero galvanizada y cubierta de aluminio e interruptor paro-marcha.

Motores

Motor brushless EC de corriente continua, de alto rendimiento, bajo consumo, rodamientos a bolas, protector térmico incorporado y capacitados para trabajar a temperaturas de -20°C a +40°C.

Versión monofásica 230V±10% 50/60Hz, IP44.
Versión trifásica 400V±10% 50/60Hz, IP54.

MODELOS 250 a 355

Se suministra con control integrado del tipo plug & play preconfigurado para trabajar a presión constante (COP) con una consigna de 100 Pa.

Adquiriendo la consola de programación PROSYS ECOWATT, se tendrá acceso a la parametrización del modo presión constante (COP) además de 3 modos adicionales:

- Caudal constante (CAV).
- Proporcional (VAV).
- Mínimo-Máximo.
- Programador horario (con combinación con accesorio TIMER RTC).

Modo Presión constante (COP)

- Velocidad mínima del ventilador entre 0-50%.
- Velocidad máxima del ventilador entre 50-100%.
- Posición noche ajustable entre 25-100% de la presión a velocidad máxima.

Modo Caudal constante (CAV)

- Velocidad mínima del ventilador entre 0-50%.
- Velocidad máxima del ventilador entre 50-100%.
- Posición noche ajustable entre 25-100% del caudal a velocidad máxima.

Modo Proporcional (VAV)

- Hasta 2 entradas analógicas, 0-10V ó 4-20mA.
- Selección de demanda máxima cuando 2 entradas analógicas conectadas.
- Velocidad mínima del ventilador entre 0-50%.
- Velocidad máxima del ventilador entre 50-100%.
- Salida para relé de alarma.

Modo Mínimo-Máximo

- Entrada digital para selección de velocidad.
- Velocidad mínima del ventilador entre 0-50%.
- Velocidad máxima del ventilador entre 50-100%.

Timer (RTC)

Adquiriendo el accesorio TIMER RTC juntamente con la consola de programación PROSYS ECOWATT se podrá programar franjas horarias de funcionamiento.

- Hasta tres periodos diarios con la consigna deseada.
- Periodo vacaciones.

MODELOS 400 a 630

Se suministra con control integrado del tipo plug & play preconfigurado para trabajar a presión constante (COP).

Estos modelos incorporan:

- Relé ON/OFF remoto.
- Relé Boost.
- Relé modo noche.
- Relé conmutado alarma.

Además, la propia electrónica integrada permite la configuración manual de los siguientes modos de funcionamiento:

- Caudal constante (CAV).
- Proporcional (VAV).
- Mínimo - Máximo.
- Comunicación Modbus-RTU.

Nota: La consola de programación PROSYS ECOWATT y módulo de programación horaria TIMER RTC ECOWATT son incompatibles con estos modelos.

Serie CRVB-N ECOWATT PLUS



Modelos 250 a 355



Modelos 400 a 630

PRESIÓN
CONSTANTECAUDAL
CONSTANTE

Ampliación de gama

Ventiladores centrífugos de tejado, autorregulados, de bajo perfil, de descarga vertical, compuestos por motor brushless de rotor exterior de corriente continua, rodete centrífugo álabes hacia atrás, reja de protección antipájaros, base de chapa de acero galvanizada y cubierta de aluminio e interruptor paro-marcha.

Motores

Motor brushless EC de corriente continua, de alto rendimiento, bajo consumo, rodamientos a bolas, protector térmico incorporado y capacitados para trabajar a temperaturas de -20°C a +40°C.

Versión monofásica 230V±10% 50/60Hz, IP44.
Versión trifásica 400V±10% 50/60Hz, IP54.

MODELOS 250 a 355

Se suministra con control integrado del tipo plug & play preconfigurado para trabajar a presión constante (COP) con una consigna de 100 Pa.

Adquiriendo la consola de programación PROSYS ECOWATT, se tendrá acceso a la parametrización del modo presión constante (COP) además de 3 modos adicionales:

- Caudal constante (CAV).
- Proporcional (VAV).
- Mínimo-Máximo.
- Programador horario (con combinación con accesorio TIMER RTC).

Modo Presión constante (COP)

- Velocidad mínima del ventilador entre 0-50%.
- Velocidad máxima del ventilador entre 50-100%.
- Posición noche ajustable entre 25-100% de la presión a velocidad máxima.

Modo Caudal constante (CAV)

- Velocidad mínima del ventilador entre 0-50%.
- Velocidad máxima del ventilador entre 50-100%.
- Posición noche ajustable entre 25-100% del caudal a velocidad máxima.

Modo Proporcional (VAV)

- Hasta 2 entradas analógicas, 0-10V ó 4-20mA.
- Selección de demanda máxima cuando 2 entradas analógicas conectadas.
- Velocidad mínima del ventilador entre 0-50%.
- Velocidad máxima del ventilador entre 50-100%.
- Salida para relé de alarma.

Modo Mínimo-Máximo

- Entrada digital para selección de velocidad.
- Velocidad mínima del ventilador entre 0-50%.
- Velocidad máxima del ventilador entre 50-100%.

Timer (RTC)

Adquiriendo el accesorio TIMER RTC juntamente con la consola de programación PROSYS ECOWATT se podrá programar franjas horarias de funcionamiento.

- Hasta tres periodos diarios con la consigna deseada.
- Periodo vacaciones.

MODELOS 400 a 630

Se suministra con control integrado del tipo plug & play preconfigurado para trabajar a presión constante (COP).

Estos modelos incorporan:

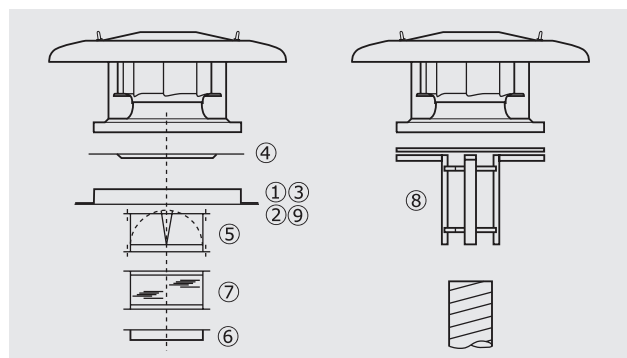
- Relé ON/OFF remoto.
- Relé Boost.
- Relé modo noche.
- Relé conmutado alarma.

Además, la propia electrónica integrada permite la configuración manual de los siguientes modos de funcionamiento:

- Caudal constante (CAV).
- Proporcional (VAV).
- Mínimo - Máximo.
- Comunicación Modbus-RTU.

Nota: La consola de programación PROSYS ECOWATT y módulo de programación horaria TIMER RTC ECOWATT son incompatibles con estos modelos.

INSTALACIÓN ACCESORIOS DE MONTAJE SERIE CRHB-N/CRHT-N ECOWATT PLUS (Ver códigos y precios en Accesorios Generales)



| Modelo de extractor | ① Marco soporte | ② Base soporte aislada | ③ Base atenuadora acústica | ④ Placa de adaptación | ⑤ Compuerta antirretorno | ⑥ Brida | ⑦ Acoplamiento elástico | ⑧ Adaptación circular | ⑨ Base soporte cubiertas inclinadas |
|---------------------|-----------------|------------------------|----------------------------|-----------------------|--------------------------|-----------|-------------------------|-----------------------|-------------------------------------|
| 250N | JMS-300 | JBS-300 | JAA-300 | JPA-300 | JCA-300 | JBR-300 N | JA-E-300 N | JCC-300 | BI-3 |
| 280N | JMS-435 | JBS-435 | JAA-435 | JPA-435 | JCA-435 | JBR-435 | JA-E-435 | JCC-435 | BI-4 |
| 315N | JMS-560 | JBS-560 | JAA-560 | JPA-560 | JCA-560 | JBR-560 | JA-E-560 | JCC-560 | BI-5 |
| 355N | JMS-560 | JBS-560 | JAA-560 | JPA-560 | JCA-560 | JBR-560 | JA-E-560 | JCC-560 | BI-5 |
| 400N | JMS-630 | JBS-630 | JAA-630 | JPA-630 | JCA-630 | JBR-630 | JA-E-630 | JCC-630 | BI-6 |
| 450N | JMS-630 | JBS-630 | JAA-630 | JPA-630 | JCA-630 | JBR-630 | JA-E-630 | JCC-630 | BI-6 |
| 500N | JMS-710 | JBS-710 | JAA-710 | JPA-710 | JCA-710 | JBR-710 | JA-E-710 | JCC-710 | BI-7 |
| 560N | JMS-905 | JBS-905 | JAA-905 | JPA-905 | JCA-905 | JBR-905 | JA-E-905 | - | BI-9 |
| 630N | JMS-905 | JBS-905 | JAA-905 | JPA-905 | JCA-905 | JBR-905 | JA-E-905 | - | BI-9 |

Es imprescindible comprobar que las características eléctricas (voltaje, intensidad, frecuencia, etc) del motor que aparecen en la placa del mismo son compatibles con las de la instalación.

| Código | Modelo | Tensión de regulación (V-Hz) | Velocidad (r.p.m.) | Potencia absorbida máxima (W) | Intensidad máxima absorbida (A) | Caudal máximo (m³/h) | Nivel de presión sonora* a 4 m (dB(A)) | | Peso (kg) | Grupo producto | Precio €/u. |
|--------|--------|------------------------------|--------------------|-------------------------------|---------------------------------|----------------------|--|----------|-----------|----------------|-------------|
| | | | | | | | Aspiración | Descarga | | | |

MODELOS DESCARGA HORIZONTAL

| | | | | | | | | | | | |
|------------|-------------------------|----|------|------|-----|--------|----|----|----|-----|-----------------|
| 5136912300 | CRHB-280 N ECOWATT PLUS | 10 | 1800 | 180 | 0,8 | 2.026 | 44 | 51 | 16 | E05 | 1.647,59 |
| | | 8 | 1592 | 131 | 0,6 | 1.593 | 42 | 49 | | | |
| | | 6 | 1288 | 75 | 0,4 | 1.439 | 37 | 44 | | | |
| | | 4 | 979 | 39 | 0,2 | 1.093 | 31 | 38 | | | |
| 5136913300 | CRHB-315 N ECOWATT PLUS | 10 | 1700 | 276 | 0,8 | 2.812 | 49 | 52 | 18 | E05 | 1.701,16 |
| | | 8 | 1493 | 200 | 0,6 | 2.498 | 47 | 50 | | | |
| | | 6 | 1295 | 127 | 0,3 | 2.204 | 44 | 48 | | | |
| | | 4 | 1091 | 78 | 0,3 | 1.826 | 39 | 43 | | | |
| 5136914300 | CRHB-355 N ECOWATT PLUS | 10 | 1499 | 338 | 1,4 | 3.456 | 46 | 54 | 22 | E05 | 1.936,32 |
| | | 8 | 1332 | 238 | 1,0 | 3.082 | 43 | 51 | | | |
| | | 6 | 1098 | 143 | 0,6 | 3.644 | 39 | 47 | | | |
| | | 4 | 859 | 73 | 0,3 | 2.024 | 34 | 42 | | | |
| 5136007200 | CRHB-400 N ECOWATT PLUS | 10 | 1770 | 917 | 3,8 | 5.730 | 55 | 62 | 32 | E05 | 2.647,48 |
| | | 8 | 1580 | 664 | 2,8 | 4.990 | 53 | 60 | | | |
| | | 6 | 1250 | 345 | 1,5 | 3.990 | 48 | 54 | | | |
| | | 4 | 950 | 167 | 0,7 | 2.960 | 42 | 48 | | | |
| 5136007600 | CRHB-450 N ECOWATT PLUS | 10 | 1400 | 861 | 3,6 | 6.280 | 53 | 60 | 35 | E05 | 2.749,80 |
| | | 8 | 1230 | 594 | 2,5 | 5.520 | 50 | 57 | | | |
| | | 6 | 1020 | 340 | 1,4 | 4.540 | 46 | 53 | | | |
| | | 4 | 820 | 188 | 0,8 | 3.650 | 41 | 48 | | | |
| 5136011800 | CRHT-450 N ECOWATT PLUS | 10 | 1600 | 1267 | 3,6 | 7.100 | 56 | 65 | 33 | E05 | 3.354,91 |
| | | 8 | 1400 | 847 | 1,4 | 6.270 | 53 | 62 | | | |
| | | 6 | 1140 | 481 | 0,9 | 5.080 | 48 | 58 | | | |
| | | 4 | 890 | 243 | 0,5 | 3.940 | 43 | 52 | | | |
| 5136018700 | CRHT-500 N ECOWATT PLUS | 10 | 1270 | 1145 | 1,8 | 7.970 | 53 | 60 | 40 | E05 | 3.600,71 |
| | | 8 | 1130 | 810 | 1,4 | 7.100 | 50 | 57 | | | |
| | | 6 | 950 | 481 | 0,9 | 5.980 | 46 | 54 | | | |
| | | 4 | 770 | 271 | 0,6 | 4.870 | 42 | 49 | | | |
| 5136018900 | CRHT-560 N ECOWATT PLUS | 10 | 1380 | 2520 | 3,7 | 13.070 | 59 | 68 | 70 | E05 | 4.673,19 |
| | | 8 | 1180 | 1561 | 2,3 | 10.990 | 57 | 65 | | | |
| | | 6 | 925 | 778 | 1,2 | 8.690 | 52 | 61 | | | |
| | | 4 | 680 | 347 | 0,7 | 6.590 | 47 | 55 | | | |
| 5136019200 | CRHT-630 N ECOWATT PLUS | 10 | 1050 | 2079 | 3,0 | 14.380 | 56 | 65 | 71 | E05 | 4.720,40 |
| | | 8 | 890 | 1276 | 1,9 | 12.330 | 54 | 62 | | | |
| | | 6 | 730 | 706 | 1,2 | 10.040 | 49 | 58 | | | |
| | | 4 | 565 | 352 | 0,7 | 7.863 | 44 | 52 | | | |

* Nivel de presión sonora, medido a 4 metros, con el extractor de tejado instalado en una superficie plana, trabajando en los puntos 2 - 5 - 8 y 11 de la curva característica.

(N) NOVEDAD

Es imprescindible comprobar que las características eléctricas (voltaje, intensidad, frecuencia, etc) del motor que aparecen en la placa del mismo son compatibles con las de la instalación.

| Código | Modelo | Tensión de regulación (V-Hz) | Velocidad (r.p.m.) | Potencia absorbida máxima (W) | Intensidad máxima absorbida (A) | Caudal máximo (m³/h) | Nivel de presión sonora* a 4 m (dB(A)) | | Peso (kg) | Grupo producto | Precio €/u. |
|---------------------------|-------------------------|------------------------------|--------------------|-------------------------------|---------------------------------|----------------------|--|----------|-----------|----------------|-------------|
| | | | | | | | Aspiración | Descarga | | | |
| MODELOS DESCARGA VERTICAL | | | | | | | | | | | |
| 5136002400 | CRVB-250 N ECOWATT PLUS | 10 | 2640 | 216 | 1,4 | 1.320 | 47 | 51 | 11,5 | E05 | 1.492,90 |
| | | 8 | 2280 | 142 | 1,0 | 1.150 | 44 | 48 | | | |
| | | 6 | 1770 | 71 | 0,5 | 890 | 38 | 43 | | | |
| | | 4 | 1260 | 31 | 0,3 | 640 | 31 | 35 | | | |
| 5136912400 | CRVB-280 N ECOWATT PLUS | 10 | 1799 | 183 | 0,8 | 1.823 | 46 | 55 | 18 | E05 | 1.757,46 |
| | | 8 | 1576 | 129 | 0,6 | 1.593 | 43 | 52 | | | |
| | | 6 | 1273 | 74 | 0,4 | 1.283 | 38 | 47 | | | |
| | | 4 | 967 | 30 | 0,3 | 988 | 32 | 41 | | | |
| 5136913400 | CRVB-315 N ECOWATT PLUS | 10 | 1700 | 270 | 0,8 | 2.703 | 51 | 58 | 20 | E05 | 2.111,44 |
| | | 8 | 1468 | 183 | 0,6 | 2.411 | 47 | 55 | | | |
| | | 6 | 1276 | 124 | 0,3 | 2.087 | 43 | 50 | | | |
| | | 4 | 1078 | 81 | 0,2 | 1.756 | 38 | 44 | | | |
| 5136914400 | CRVB-355 N ECOWATT PLUS | 10 | 1499 | 348 | 1,5 | 3.388 | 43 | 49 | 25 | E05 | 2.325,44 |
| | | 8 | 1332 | 242 | 1,0 | 3.016 | 40 | 46 | | | |
| | | 6 | 1105 | 143 | 0,6 | 2.530 | 36 | 43 | | | |
| | | 4 | 862 | 74 | 0,4 | 2.051 | 31 | 37 | | | |
| 5136006900 | CRVB-400 N ECOWATT PLUS | 10 | 1770 | 953 | 3,9 | 5.560 | 55 | 58 | 34 | E05 | 2.912,19 |
| | | 8 | 1560 | 646 | 2,7 | 4.920 | 52 | 55 | | | |
| | | 6 | 1270 | 366 | 1,5 | 3.980 | 48 | 51 | | | |
| | | 4 | 960 | 173 | 0,8 | 2.900 | 41 | 45 | | | |
| 5136007400 | CRVB-450 N ECOWATT PLUS | 10 | 1400 | 839 | 3,5 | 6.050 | 47 | 59 | 37 | E05 | 3.024,77 |
| | | 8 | 1260 | 654 | 2,7 | 5.460 | 45 | 57 | | | |
| | | 6 | 1030 | 362 | 1,5 | 4.440 | 40 | 52 | | | |
| | | 4 | 820 | 196 | 0,8 | 3.540 | 35 | 47 | | | |
| 5136011600 | CRVT-450 N ECOWATT PLUS | 10 | 1570 | 1228 | 2,0 | 6.690 | 56 | 61 | 32 | E05 | 3.455,54 |
| | | 8 | 1420 | 849 | 1,4 | 6.000 | 53 | 58 | | | |
| | | 6 | 1160 | 496 | 0,9 | 4.880 | 48 | 54 | | | |
| | | 4 | 890 | 244 | 0,5 | 3.720 | 43 | 48 | | | |
| 5136018600 | CRVT-500 N ECOWATT PLUS | 10 | 1270 | 1156 | 1,9 | 7.660 | 52 | 58 | 44 | E05 | 3.736,76 |
| | | 8 | 1140 | 818 | 1,5 | 6.900 | 50 | 56 | | | |
| | | 6 | 960 | 488 | 0,9 | 5.770 | 46 | 52 | | | |
| | | 4 | 770 | 267 | 0,6 | 4.730 | 42 | 47 | | | |
| 5136019000 | CRVT-560 N ECOWATT PLUS | 10 | 1380 | 2457 | 3,6 | 12.340 | 58 | 66 | 73 | E05 | 4.802,19 |
| | | 8 | 1150 | 1442 | 2,2 | 10.290 | 57 | 64 | | | |
| | | 6 | 920 | 751 | 1,2 | 8.201 | 52 | 59 | | | |
| | | 4 | 665 | 313 | 0,6 | 6.000 | 47 | 53 | | | |
| 5136019100 | CRVT-630 N ECOWATT PLUS | 10 | 1040 | 2039 | 3,2 | 13.320 | 57 | 62 | 74 | E05 | 4.848,62 |
| | | 8 | 890 | 1261 | 2,1 | 11.390 | 54 | 59 | | | |
| | | 6 | 725 | 694 | 1,2 | 9.368 | 49 | 55 | | | |
| | | 4 | 560 | 345 | 0,7 | 7.254 | 44 | 49 | | | |

* Nivel de presión sonora, medido a 4 metros, con el extractor de tejado instalado en una superficie plana, trabajando en los puntos 2 - 5 - 8 y 11 de la curva característica.

(N) NOVEDAD

ACCESORIOS ESPECÍFICOS MODELOS 250-355



Modelo

Consola de programación

PROSYS ECOWATT

Módulo para programador horario

TIMER RTC ECOWATT

[Ver códigos y precios en Accesorios Generales]

Serie TPSB



Ventiladores centrífugos de tejado, de bajo perfil, descarga horizontal, rodete de álabes hacia atrás, con cuerpo en poliamida, sombrero especial resistente a la intemperie y base en chapa de acero galvanizada. Conjunto motor-rodete equilibrado dinámicamente.

Motor monofásico 230V - 50/60Hz, IP44, Clase F (Clase B modelo 190/060), rodamientos a bolas de engrase permanente y protector térmico. Incorpora caja de bornes remota IP65.



Es imprescindible comprobar que las características eléctricas (voltaje, intensidad, frecuencia, etc) del motor que aparecen en la placa del mismo son compatibles con las de la instalación.

| Código | Modelo | Velocidad (r.p.m.) | Potencia absorbida máxima (W) | Intensidad absorbida máxima a 230V (A) | Caudal máximo (m³/h) | Nivel de presión sonora* (dB(A)) | | Temperatura de trabajo (°C) | Peso (Kg) | Regulador de tensión opcional | | Grupo producto | Precio €/u. |
|------------|----------------|--------------------|-------------------------------|--|----------------------|----------------------------------|----------|-----------------------------|-----------|-------------------------------|---------|----------------|---------------|
| | | | | | | Aspiración | Descarga | | | REB | RMB | | |
| 5505003700 | TPSB/2-190/060 | 2520 | 61 | 0,3 | 600 | 50 | 53 | -40/+70 | 3,4 | REB-1 N | RMB-1,5 | E05 | 382,68 |
| 5505003900 | TPSB/2-225/088 | 2670 | 151 | 0,6 | 1.170 | 56 | 60 | -40/+60 | 6,4 | REB-1 N | RMB-1,5 | E05 | 503,38 |
| 5505004100 | TPSB/2-250/084 | 2650 | 222 | 1,0 | 1.500 | 57 | 61 | -40/+60 | 6,4 | REB-2,5 N | RMB-1,5 | E05 | 526,62 |

*Nivel de presión sonora, medido a 3 metros, con el extractor de tejado instalado en una superficie plana, trabajando en los puntos 2 de la curva de características.

ACCESORIOS ESPECÍFICOS

| Modelo | JPA | JMS | JBS | JCA | JAЕ | JBR | JCC | BI | JAA |
|----------------|---------|---------|---------|---------|---------|---------|---------|------|---------|
| TPSB/2-190/060 | JPA-300 | JMS-300 | JBS-300 | JCA-300 | JAЕ-300 | JBR-300 | JCC-300 | BI-3 | JAA-300 |
| TPSB/2-225/088 | JPA-435 | JMS-435 | JBS-435 | JCA-435 | JAЕ-435 | JBR-435 | JCC-435 | BI-4 | JAA-435 |
| TPSB/2-250/084 | JPA-435 | JMS-435 | JBS-435 | JCA-435 | JAЕ-435 | JBR-435 | JCC-435 | BI-4 | JAA-435 |

Serie TPSB ECOWATT



Ventiladores centrífugos de tejado, de bajo perfil y descarga horizontal. Recomendados para extracciones desde cubierta en aplicaciones como viviendas, zonas comerciales y oficinas.

Descripción

- Muy bajo perfil.
- Rodete de álabes hacia atrás, de alta eficiencia y soporte motor fabricados en poliamida negra inyectada de alta resistencia.
- Sombrero especial inyectado en plástico y resistente a la intemperie.

- Base en chapa de acero con tratamiento por catáforesis y capa de pintura poliéster negra.
- Caja de bornes IP65, con soporte e interruptor paro/marcha.
- Velocidad regulable 100% mediante potenciómetro ubicado en el interior de la caja de bornes o control remoto mediante REB-ECOWATT.
- Control mediante señal analógica externa 0-10V.

Motor

Brushless EC de alta eficiencia y bajo consumo, rotor exterior, IP44.
Alimentación 230V±10% - 50/60Hz.



Es imprescindible comprobar que las características eléctricas (voltaje, intensidad, frecuencia, etc) del motor que aparecen en la placa del mismo son compatibles con las de la instalación.

| Código | Modelo | Tensión de regulación (V) | Velocidad (r.p.m.) | Potencia absorbida máxima (W) | Intensidad absorbida máxima (A) | Caudal máximo (m³/h) | Nivel de presión sonora* a 3 m (dB(A)) | | Temperatura de trabajo (°C) | Peso (Kg) | Grupo producto | Precio €/u. |
|------------|----------------------|---------------------------|--------------------|-------------------------------|---------------------------------|----------------------|--|----------|-----------------------------|-----------|----------------|-----------------|
| | | | | | | | Aspiración | Descarga | | | | |
| 5505003800 | TPSB-190/060 ECOWATT | 10 | 3270 | 99 | 0,7 | 760 | 57 | 61 | -20/+60 | 3,2 | E05 | 792,99 |
| | | 8 | 3130 | 89 | 0,6 | 730 | 56 | 60 | | | | |
| | | 6 | 2650 | 55 | 0,4 | 620 | 52 | 57 | | | | |
| | | 4 | 2060 | 29 | 0,2 | 480 | 47 | 51 | | | | |
| 5505004000 | TPSB-225/088 ECOWATT | 10 | 2900 | 168 | 1,1 | 1.270 | 58 | 64 | -20/+50 | 6,0 | E05 | 1.144,56 |
| | | 8 | 2490 | 111 | 0,7 | 1.090 | 55 | 60 | | | | |
| | | 6 | 1940 | 56 | 0,4 | 850 | 49 | 53 | | | | |
| | | 4 | 1370 | 24 | 0,2 | 590 | 39 | 44 | | | | |
| 5505004200 | TPSB-250/084 ECOWATT | 10 | 2650 | 202 | 1,3 | 1.490 | 59 | 63 | -20/+50 | 6,2 | E05 | 1.233,69 |
| | | 8 | 2300 | 140 | 1,0 | 1.290 | 55 | 59 | | | | |
| | | 6 | 1800 | 73 | 0,6 | 1.000 | 49 | 53 | | | | |
| | | 4 | 1290 | 33 | 0,3 | 720 | 40 | 44 | | | | |

*Aparato entubado y medición en puntos medios de la curva característica (puntos 2, 5, 8 y 11).

ACCESORIOS ESPECÍFICOS

| Modelo | JPA | JMS | JBS | JCA | JAЕ | JBR | JCC | BI | JAA |
|----------------------|---------|---------|---------|---------|---------|---------|---------|------|---------|
| TPSB-190/060 ECOWATT | JPA-300 | JMS-300 | JBS-300 | JCA-300 | JAЕ-300 | JBR-300 | JCC-300 | BI-3 | JAA-300 |
| TPSB-225/088 ECOWATT | JPA-435 | JMS-435 | JBS-435 | JCA-435 | JAЕ-435 | JBR-435 | JCC-435 | BI-4 | JAA-435 |
| TPSB-250/084 ECOWATT | JPA-435 | JMS-435 | JBS-435 | JCA-435 | JAЕ-435 | JBR-435 | JCC-435 | BI-4 | JAA-435 |

Serie TH-MIXVENT



Ventiladores helicocentrífugos de tejado.
Cuerpo en inyección de plástico.
Base y sombrerete de chapa de acero, protegidos contra la corrosión con pintura epoxi-poliéster.
Incorporan malla antipájaros y embocadura en la base que facilita la conexión a conducto.
El conjunto motor-rodete se extrae fácilmente mediante 2 abrazaderas.

Motores
Monofásicos 230V-50Hz.
De 3 velocidades y regulables.

IP44, Clase F, con protector térmico de rearme automático y rodamientos a bolas de engrase permanente.

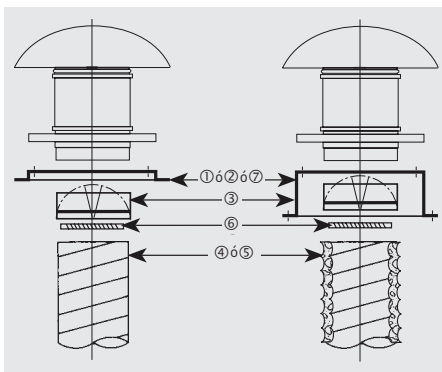
Otros datos
Suministrados, en versión standard, como extractores. En los modelos 500, 800 y 800N, girando 180° el conjunto motor-rodete, pueden trabajar como impulsores.

Es imprescindible comprobar que las características eléctricas (voltaje, intensidad, frecuencia, etc) del motor que aparecen en la placa del mismo son compatibles con las de la instalación.

| Código | Modelo | Velocidad (r.p.m.) | Máxima potencia absorbida (W) | Máxima intensidad absorbida (A) | Caudal máximo (m³/h) | Nivel presión sonora* (dB(A)) | | Mín-Máx temperatura del aire (°C) | Peso (kg) | Interruptor de 3 velocidades opcional | Regulador de tensión opcional | Grupo producto | Precio €/u. | |
|------------|---------------|--------------------|-------------------------------|---------------------------------|----------------------|-------------------------------|----------|-----------------------------------|-----------|---------------------------------------|-------------------------------|----------------|-------------|--------|
| | | | | | | Aspiración | Descarga | | | | | | | |
| 5220004800 | TH-500/150 3V | EXTRACCIÓN | 2560 | 54 | 0,23 | 500 | 46 | 50 | -20/+60 | 3,8 | COM-3 INTER 4P | RMB-1,5 REB-1 | E05 | 518,45 |
| | | | 2120 | 43 | 0,19 | 420 | 43 | 46 | | | | | | |
| | | | 1790 | 41 | 0,18 | 360 | 38 | 42 | | | | | | |
| | | IMPULSIÓN | 2540 | 63 | 0,27 | 530 | 48 | 47 | | | | | | |
| | | | 2170 | 53 | 0,22 | 460 | 44 | 43 | | | | | | |
| | | | 1750 | 49 | 0,2 | 360 | 39 | 39 | | | | | | |
| 5220005100 | TH-500/160 3V | EXTRACCIÓN | 2560 | 54 | 0,23 | 500 | 46 | 50 | -20/+60 | 3,8 | COM-3 INTER 4P | RMB-1,5 REB-1 | E05 | 518,45 |
| | | | 2120 | 43 | 0,19 | 420 | 43 | 46 | | | | | | |
| | | | 1790 | 41 | 0,18 | 360 | 38 | 42 | | | | | | |
| | | IMPULSIÓN | 2540 | 63 | 0,27 | 530 | 48 | 47 | | | | | | |
| | | | 2170 | 53 | 0,22 | 460 | 44 | 43 | | | | | | |
| | | | 1750 | 49 | 0,2 | 360 | 39 | 39 | | | | | | |
| 5220007900 | TH-800N 3V | EXTRACCIÓN | 2210 | 101 | 0,49 | 720 | 47 | 52 | -20/+60 | 5,6 | COM-3 INTER 4P | RMB-1,5 REB-1 | E05 | 581,50 |
| | | | 1900 | 94 | 0,47 | 620 | 44 | 49 | | | | | | |
| | | | 1720 | 92 | 0,46 | 540 | 42 | 46 | | | | | | |
| | | IMPULSIÓN | 2220 | 105 | 0,45 | 830 | 50 | 52 | | | | | | |
| | | | 1920 | 93 | 0,42 | 710 | 47 | 49 | | | | | | |
| | | | 1710 | 90 | 0,41 | 630 | 45 | 46 | | | | | | |
| 5220001300 | TH-800 3V | EXTRACCIÓN | 2380 | 117 | 0,51 | 790 | 48 | 52 | -20/+60 | 5,6 | COM-3 INTER 4P | RMB-1,5 REB-1 | E05 | 591,15 |
| | | | 2110 | 108 | 0,49 | 680 | 46 | 50 | | | | | | |
| | | | 1940 | 105 | 0,47 | 610 | 44 | 48 | | | | | | |
| | | IMPULSIÓN | 2390 | 136 | 0,56 | 890 | 52 | 54 | | | | | | |
| | | | 2110 | 129 | 0,53 | 780 | 49 | 51 | | | | | | |
| | | | 1880 | 126 | 0,52 | 690 | 47 | 49 | | | | | | |

* Nivel de presión sonora medido a 3 m en campo libre en el punto medio de la curva.

INSTALACIÓN ACCESORIOS DE MONTAJE SERIE TH-MIXVENT (Ver códigos y precios en Accesorios Generales)



| Tipo | ① Marco soporte | ② Base soporte | ③ Compuerta antirretorno | ④ Conducto flexible | ⑤ Conducto flexible acústico | ⑥ Brida de sujeción | ⑦ Base soporte cubiertas inclinadas |
|------------|-----------------|----------------|--------------------------|---------------------|------------------------------|---------------------|-------------------------------------|
| TH-500/150 | JMS-300 | JBS-300 | CAR-150 | GSA-150 | GSI-160 | CX-215 | BI-3 |
| TH-500/160 | JMS-300 | JBS-300 | CAR-160 | GSA-160 | GSI-160 | CX-215 | BI-3 |
| TH-800 N | JMS-300 | JBS-300 | CAR-200 | GSA-200 | GSI-200 | CX-250 | BI-3 |
| TH-800 | JMS-300 | JBS-300 | CAR-200 | GSA-200 | GSI-200 | CX-250 | BI-3 |

Serie TH-ECOWATT



Ventiladores helicocentrífugos de tejado, de bajo consumo.

Modelos 500 y 800:

Cuerpo en inyección de plástico.

Base y sombrero de chapa de acero, protegidos contra la corrosión con pintura epoxi-poliéster.

Modelos 1300 y 2000:

Cuerpo y base de chapa de acero y sombrero de aluminio, todo ello protegido contra la corrosión con pintura epoxi-poliéster.

Incorporan malla antipájaros y embocadura en la base que facilita la conexión a conducto.

El conjunto motor-rodete se extrae fácilmente mediante 2 abrazaderas.

Motores

Modelos 500 y 800:

Motor brushless DC de corriente continua, de alto rendimiento y bajo consumo, alimentación 90/260V-50/60Hz, IP44, rodamientos a bolas, protección térmica.

Modelos 1300 y 2000:

Motor brushless EC de corriente continua, de alto rendimiento y bajo consumo, alimentación 230V±15% 50/60Hz, IP44, rodamientos a bolas, protección térmica.

Con potenciómetro incorporado para ajustar la velocidad del 10 al 100%, entrada analógica para controlar el ventilador con una señal de 0-10V.

Otros datos

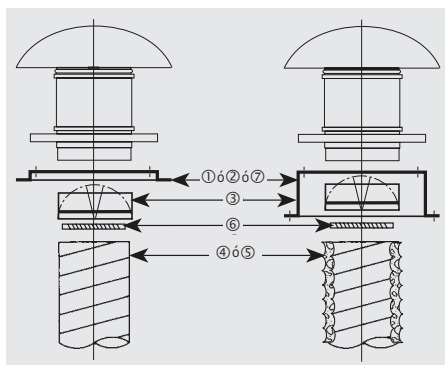
Suministrados, en versión standard, como extractores. Girando 180° el conjunto motor-rodete, pueden trabajar como impulsores.



Es imprescindible comprobar que las características eléctricas (voltaje, intensidad, frecuencia, etc) del motor que aparecen en la placa del mismo son compatibles con las de la instalación.

| Código | Modelo | Tensión de control (V) | Velocidad (r.p.m.) | Potencia absorbida máxima (W) | Intensidad absorbida máxima (A) | Caudal en descarga libre (m³/h) | Temperatura de trabajo (°C) | Nivel de presión sonora a 4 m (dB(A)) | | Peso (Kg) | Grupo producto | Precio €/u. |
|------------|---------------------|------------------------|--------------------|-------------------------------|---------------------------------|---------------------------------|-----------------------------|---------------------------------------|----------|-----------|----------------|-------------|
| | | | | | | | | Aspiración | Descarga | | | |
| 5220025200 | TH-500/150 ECOWATT | 10 | 2670 | 45 | 0,4 | 470 | -20/+60 | 46 | 52 | 3,8 | E05 | 907,27 |
| | | 8 | 2275 | 31 | 0,2 | 410 | | 44 | 48 | | | |
| | | 6 | 1655 | 15 | 0,1 | 300 | | 34 | 40 | | | |
| | | 4 | 1135 | 7 | 0,1 | 200 | | 29 | 30 | | | |
| 5220025300 | TH-500/160 ECOWATT | 10 | 2695 | 48 | 0,4 | 490 | -20/+60 | 47 | 51 | 3,8 | E05 | 907,27 |
| | | 8 | 2280 | 32 | 0,2 | 430 | | 43 | 47 | | | |
| | | 6 | 1700 | 16 | 0,1 | 310 | | 36 | 39 | | | |
| | | 4 | 1130 | 8 | 0,1 | 210 | | 27 | 30 | | | |
| 5220025100 | TH-800/200 ECOWATT | 10 | 2490 | 98 | 0,6 | 750 | -20/+60 | 47 | 51 | 5,6 | E05 | 1.017,60 |
| | | 8 | 2190 | 68 | 0,4 | 650 | | 43 | 47 | | | |
| | | 6 | 1860 | 46 | 0,3 | 570 | | 36 | 39 | | | |
| | | 4 | 1520 | 28 | 0,2 | 470 | | 27 | 30 | | | |
| 5220003900 | TH-1300/250 ECOWATT | 10 | 2440 | 137 | 0,6 | 1.030 | -20/+60 | 58 | 63 | 11,2 | E05 | 1.401,53 |
| | | 8 | 2030 | 85 | 0,4 | 830 | | 54 | 58 | | | |
| | | 6 | 1620 | 51 | 0,3 | 670 | | 50 | 51 | | | |
| | | 4 | 1210 | 29 | 0,2 | 490 | | 39 | 43 | | | |
| 5220003800 | TH-2000/315 ECOWATT | 10 | 2460 | 230 | 1,0 | 1.530 | -20/+60 | 60 | 65 | 17,2 | E05 | 1.587,68 |
| | | 8 | 2000 | 131 | 0,6 | 1.230 | | 54 | 58 | | | |
| | | 6 | 1620 | 76 | 0,4 | 1.020 | | 52 | 52 | | | |
| | | 4 | 1215 | 39 | 0,2 | 740 | | 43 | 45 | | | |

INSTALACIÓN ACCESORIOS DE MONTAJE SERIE TH-ECOWATT (Ver códigos y precios en Accesorios Generales)



| Tipo | ① Marco soporte | ② Base soporte | ③ Compuerta antirretorno | ④ Conducto flexible | ⑤ Conducto flexible acústico | ⑥ Brida de sujeción | ⑦ Base soporte cubiertas inclinadas |
|------------|-----------------|----------------|--------------------------|---------------------|------------------------------|---------------------|-------------------------------------|
| TH-500/150 | JMS-300 | JBS-300 | CAR-150 | GSA-150 | GSI-160 | CX-215 | BI-3 |
| TH-500/160 | JMS-300 | JBS-300 | CAR-160 | GSA-160 | GSI-160 | CX-215 | BI-3 |
| TH-800 N | JMS-300 | JBS-300 | CAR-200 | GSA-200 | GSI-200 | CX-250 | BI-3 |
| TH-800 | JMS-300 | JBS-300 | CAR-200 | GSA-200 | GSI-200 | CX-250 | BI-3 |
| TH-1300 | JMS-435 | JBS-435 | CAR-250 | GSA-250 | GSI-250 | CX-315 | BI-4 |
| TH-2000 | JMS-560 | JBS-560 | CAR-315 | GSA-315 | GSI-315 | CX-315 | BI-5 |

Serie TMPB/TMPT



Ventiladores centrífugos de tejado, capacitados para trasegar gases corrosivos, fabricados con carcasa y sombrero de polipropileno inyectado resistente a los rayos UV, rodete de álabes hacia adelante de polipropileno inyectado con cubo de retención, tornillería de acero inoxidable, motor IP55, Clase F. Temperatura de trabajo entre -10 y 60 °C.

Motores

Trifásicos 230/400V ó 400V-50Hz (TMPT).

Monofásicos 230V-50Hz (TMPB).

Aplicaciones Específicas



Ambientes corrosivos

Es imprescindible comprobar que las características eléctricas (voltaje, intensidad, frecuencia, etc) del motor que aparecen en la placa del mismo son compatibles con las de la instalación.

| Código | Modelo | Velocidad (r.p.m.) | Tamaño motor (mm) | Potencia motor (kW) | Intensidad máxima absorbida | | Caudal máximo (m³/h) | Nivel de presión sonora* (dB(A)) | Peso (kg) | Grupo producto | Precio €/u. |
|---------------------|-----------------|--------------------|-------------------|---------------------|-----------------------------|------|----------------------|----------------------------------|-----------|----------------|-------------|
| | | | | | 230V | 400V | | | | | |
| MONOFÁSICOS 2 POLOS | | | | | | | | | | | |
| 5136889300 | TMPB/2-14-0,18 | 2900 | 63 | 0,18 | 1,53 | - | 730 | 60 | 4 | E05 | 1.682,45 |
| 5136889800 | TMPB/2-20-1,1 | 2900 | 80 | 1,1 | 7,9 | - | 2.100 | 72 | 13 | E05 | 2.328,29 |
| 5136892300 | TMPB/2-20A-0,55 | 2900 | 71 | 0,55 | 4,21 | - | 900 | 68 | 11 | E05 | 2.314,93 |
| MONOFÁSICOS 4 POLOS | | | | | | | | | | | |
| 5136889400 | TMPB/4-14-0,18 | 1450 | 63 | 0,18 | 1,74 | - | 350 | 45 | 4 | E05 | 1.694,40 |
| 5136889900 | TMPB/4-20-0,18 | 1450 | 63 | 0,18 | 1,74 | - | 1.220 | 60 | 8 | E05 | 2.160,80 |
| 5136890600 | TMPB/4-24-0,55 | 1450 | 80 | 0,55 | 4,39 | - | 2.400 | 61 | 15 | E05 | 3.127,51 |
| 5136891300 | TMPB/4-25-0,55 | 1450 | 80 | 0,55 | 4,39 | - | 2.680 | 60 | 15 | E05 | 3.250,58 |
| 5136891800 | TMPB/4-30-1,1 | 1450 | 90 | 1,1 | 7,09 | - | 4.240 | 69 | 29 | E05 | 4.883,68 |
| 5136892400 | TMPB/4-20A-0,18 | 1450 | 63 | 0,18 | 1,74 | - | 530 | 54 | 9 | E05 | 2.229,94 |
| 5136892800 | TMPB/4-25A-0,25 | 1450 | 71 | 0,25 | 2,06 | - | 1.100 | 66 | 10 | E05 | 3.048,21 |
| MONOFÁSICOS 6 POLOS | | | | | | | | | | | |
| 5136890000 | TMPB/6-20-0,18 | 950 | 71 | 0,18 | 1,6 | - | 850 | 51 | 8 | E05 | 2.285,44 |
| 5136890700 | TMPB/6-24-0,18 | 950 | 71 | 0,18 | 1,6 | - | 1.630 | 52 | 13 | E05 | 3.159,64 |
| 5136891400 | TMPB/6-25-0,18 | 950 | 71 | 0,18 | 1,6 | - | 1.810 | 51 | 13 | E05 | 3.282,72 |
| 5136891900 | TMPB/6-30-0,37 | 950 | 80 | 0,37 | 2,7 | - | 2.760 | 60 | 25 | E05 | 4.783,68 |
| TRIFÁSICOS 2 POLOS | | | | | | | | | | | |
| 5136889500 | TMPT/2-14-0,18 | 2900 | 63 | 0,18 | 0,97 | 0,56 | 730 | 60 | 4 | E05 | 1.674,47 |
| 5136890100 | TMPT/2-20-1,1 | 2900 | 80 | 1,1 | 4,33 | 2,5 | 2.100 | 72 | 13 | E05 | 2.269,42 |
| 5136890800 | TMPT/2-24-2,2 | 2900 | 90 | 2,2 | 7,57 | 4,37 | 2.900 | 73 | 26 | E05 | 3.297,93 |
| 5136892500 | TMPT/2-20A-0,55 | 2900 | 71 | 0,55 | 2,34 | 1,35 | 900 | 68 | 11 | E05 | 2.308,05 |
| 5136892900 | TMPT/2-25A-1,5 | 2900 | 90 | 1,5 | 5,8 | 3,35 | 1.660 | 78 | 17 | E05 | 3.109,92 |
| TRIFÁSICOS 4 POLOS | | | | | | | | | | | |
| 5136889600 | TMPT/4-14-0,18 | 1450 | 63 | 0,18 | 1,09 | 0,63 | 350 | 45 | 4 | E05 | 1.686,36 |
| 5136890200 | TMPT/4-20-0,18 | 1450 | 63 | 0,18 | 1,09 | 0,63 | 1.220 | 60 | 8 | E05 | 2.152,83 |
| 5136890900 | TMPT/4-24-0,55 | 1450 | 80 | 0,55 | 2,42 | 1,4 | 2.400 | 61 | 15 | E05 | 3.100,38 |
| 5136891500 | TMPT/4-25-0,55 | 1450 | 80 | 0,55 | 2,42 | 1,4 | 2.680 | 60 | 15 | E05 | 3.223,42 |
| 5136892000 | TMPT/4-30-1,1 | 1450 | 90 | 1,1 | 4,49 | 2,59 | 4.240 | 69 | 29 | E05 | 4.821,96 |
| 5136892600 | TMPT/4-20A-0,18 | 1450 | 63 | 0,18 | 1,09 | 0,63 | 530 | 54 | 9 | E05 | 2.277,73 |
| 5136893000 | TMPT/4-25A-0,25 | 1450 | 71 | 0,25 | 1,28 | 0,74 | 1.100 | 66 | 10 | E05 | 3.034,24 |
| TRIFÁSICOS 6 POLOS | | | | | | | | | | | |
| 5136890300 | TMPT/6-20-0,18 | 950 | 71 | 0,18 | 1,11 | 0,64 | 850 | 51 | 8 | E05 | 2.240,24 |
| 5136891000 | TMPT/6-24-0,18 | 950 | 71 | 0,18 | 1,11 | 0,64 | 1.630 | 52 | 13 | E05 | 3.114,46 |
| 5136891600 | TMPT/6-25-0,18 | 950 | 71 | 0,18 | 1,11 | 0,64 | 1.810 | 51 | 13 | E05 | 3.158,55 |
| 5136892100 | TMPT/6-30-0,37 | 950 | 80 | 0,37 | 1,8 | 1,04 | 2.760 | 60 | 25 | E05 | 4.738,08 |

* Nivel de presión sonora, medido a 1,5 m en campo libre, en la aspiración, en un punto medio de la curva característica.

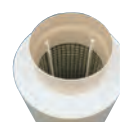
ACCESORIOS DE MONTAJE ESPECÍFICOS TMPT/TMPB (Ver códigos y precios en la Serie CMPB/CMPT (2))



MFP-N
Acoplamientos elásticos circulares de aspiración.



CARP-N
Registro de regulación manual.



SILP
Silenciadores circulares de aspiración o descarga. Pueden trabajar en posición horizontal o vertical.



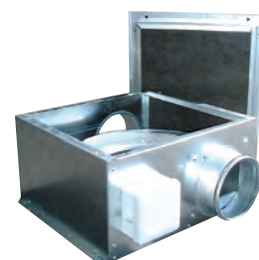
80 CGT



84 CAB



84 CAB-B



85 CAB-PLUS



86 CAB ECOWATT



87 CAB ECOWATT PLUS



88 CVB SLIMBOX



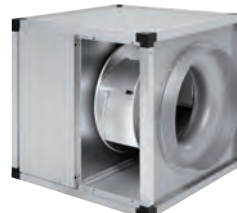
89 CVB/CVT CENTRIBOX



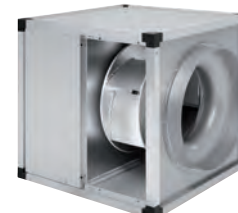
91 CVAB-N/CVAT-N



92 CVAB/T-N ECOWATT

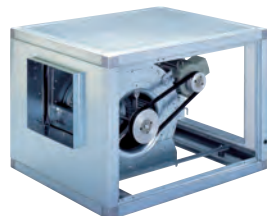


93 KABB/KABT



94 KABB/KABT ECOWATT

Ampliación de gama



95 CVTT



98 IRB/IRT



99 IRB/T ECOWATT



101 IRAB-N/IRAT-N

Todos los motores incorporados en nuestros productos cumplen con el Reglamento CE nº 640/2009.



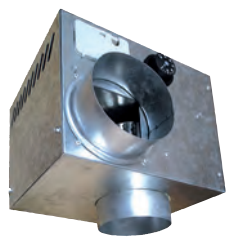
Serie capacitada para trabajar en continuo a la temperatura máxima indicada.



Serie que cumplen con la Directiva ErP.



Serie energéticamente eficientes.



102 CHEMINAIR



340 CACB-N



341 CACB ECM



341 CRCB ECOWATT



342 CACB-N ECOWATT



343 CACB N ECM ECO



343 CRCB ECOWATT PR



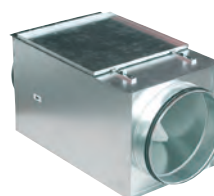
103 UVF ECOWATT



475 UPC ECOWATT



104 MFL-G4



105 MFL-F



106 FBL-N



107 IFL-G4



107 IFL-F

Todos los motores incorporados en nuestros productos cumplen con el Reglamento CE nº 640/2009.



Serie **Desenfumage** capacitadas para **trasegar** aire a la temperatura indicada.



Serie que cumplen con la **Directiva ErP**.



Serie energéticamente eficientes.

Serie CGT

Configuración modelos
400 a 800Configuración modelos
900 a 1250

Ventiladores helicoidales, fabricados en chapa galvanizada, aislamiento interior ignífugo (M0) de fibra de vidrio de 25 mm de espesor, panel interior en chapa de acero perforada, hélice de aluminio tipo "aerofoil", con casquillo de arrastre de acero y motor trifásico, IP55, Clase F.

Motores

De 2, 4 ó 6 polos, según versiones.

De 2 velocidades (2/4, 4/8 ó 6/12 polos), bajo demanda.

Tensión de alimentación

Trifásicos

230/400V-50Hz, hasta 3 kW

400V-50Hz, para potencias superiores

(Ver cuadro de características)

Monofásicos 230V-50Hz, para potencias hasta 2,2 kW, bajo demanda.

Otros datos

Sentido del aire Motor-Hélice (flujo A).

Montaje en flujo horizontal.

Consultar EasyVent para seleccionar el equipo idóneo para la instalación, y obtener la ficha técnica correspondiente.

CGT versiones ATEX

Bajo pedido, versiones antiexplosivas según la Directiva ATEX para modelos trifásicos:

Para trabajar a temperaturas de -20°C a +40°C.

- ATEX Antideflagrantes - Gas

⊕ II 2G Ex d IIB T4

⊕ II 2G Ex d IIB+H2 T4 (con motor Ex d IIC T4)

En versión ATEX estándar, los motores antideflagrantes se entregan sin protección térmica.

Para utilizar con convertidor de frecuencia pedir motores antideflagrantes con protector térmico tipo PTC.

- ATEX Seguridad aumentada - Gas

⊕ II 2G Ex e II T3

- ATEX - Polvo

Partículas en suspensión inflamables y polvo no conductor:

⊕ II 3D Ex tc IIIB T125°C

Polvo conductor:

⊕ II 3D Ex tc IIIC T125°C (con motor IP65)

En versión ATEX estándar, los motores ATEX para polvo se entregan sin protección térmica.

Para utilizar con convertidor de frecuencia pedir motores ATEX para polvo con protector térmico tipo PTC.

Las cajas CGT ATEX se suministran sin aislamiento interno.

Para seleccionar modelos CGT ATEX, deben utilizarse las curvas características de la Serie CHGT, o bien el programa de selección de producto EASVENT.

Los datos eléctricos de los modelos ATEX pueden variar respecto a los datos indicados en las tablas características.

Consulte la disponibilidad de otras versiones de motores ATEX.

Aplicaciones específicas



Versiones



CARACTERÍSTICAS TÉCNICAS - 2 polos - 2950 rpm

Es imprescindible comprobar que las características eléctricas (voltaje, intensidad, frecuencia, etc) del motor que aparecen en la placa del mismo son compatibles con las de la instalación.

| Código | Modelo | Potencia motor (kW) | Intensidad nominal motor (A) | | Caudal máximo (m³/h) | Grupo producto | Precio €/u. |
|--------------|------------------|---------------------|------------------------------|-------|----------------------|----------------|-----------------|
| | | | 230 V | 400 V | | | |
| G92406011U03 | CGT/2-400-6/-1,1 | 1,1 | 4,1 | 2,3 | 5.350 | E04 | 1.914,05 |
| G92406015U03 | CGT/2-400-6/-1,5 | 1,5 | 5,5 | 3,1 | 6.980 | E04 | 1.975,91 |
| G92406022U03 | CGT/2-400-6/-2,2 | 2,2 | 8,0 | 4,6 | 8.930 | E04 | 2.034,80 |
| G92456015U03 | CGT/2-450-6/-1,5 | 1,5 | 5,5 | 3,1 | 6.800 | E04 | 2.087,30 |
| G92456022U03 | CGT/2-450-6/-2,2 | 2,2 | 8,0 | 4,6 | 9.380 | E04 | 2.151,86 |
| G92456030U03 | CGT/2-450-6/-3 | 3 | 10,3 | 5,9 | 12.270 | E04 | 2.212,00 |

CARACTERÍSTICAS TÉCNICAS - 4 polos - 1450 rpm

| Código | Modelo | Potencia motor (kW) | Intensidad nominal motor (A) | | Caudal máximo (m³/h) | Grupo producto | Precio €/u. |
|--------------|-------------------|---------------------|------------------------------|-------|----------------------|----------------|-----------------|
| | | | 230 V | 400 V | | | |
| G94406002U02 | CGT/4-400-6/-0,25 | 0,25 | 1,4 | 0,8 | 4.710 | E04 | 1.164,20 |
| G94456002U02 | CGT/4-450-6/-0,25 | 0,25 | 1,4 | 0,8 | 4.090 | E04 | 1.254,00 |
| G94456003U02 | CGT/4-450-6/-0,37 | 0,37 | 1,8 | 1,1 | 6.150 | E04 | 1.292,79 |
| G94456005U02 | CGT/4-450-6/-0,55 | 0,55 | 2,2 | 1,3 | 7.970 | E04 | 1.309,46 |
| G94506005U02 | CGT/4-500-6/-0,55 | 0,55 | 2,2 | 1,3 | 8.110 | E04 | 1.397,93 |
| G94506007U03 | CGT/4-500-6/-0,75 | 0,75 | 2,8 | 1,6 | 9.760 | E04 | 1.419,16 |
| G94506011U03 | CGT/4-500-6/-1,1 | 1,1 | 4,2 | 2,4 | 10.970 | E04 | 1.459,83 |
| G94566005U02 | CGT/4-560-6/-0,55 | 0,55 | 2,2 | 1,3 | 8.510 | E04 | 1.496,15 |
| G94566007U03 | CGT/4-560-6/-0,75 | 0,75 | 2,8 | 1,6 | 9.940 | E04 | 1.518,86 |
| G94566011U03 | CGT/4-560-6/-1,1 | 1,1 | 4,2 | 2,4 | 12.870 | E04 | 1.556,86 |
| G94566015U03 | CGT/4-560-6/-1,5 | 1,5 | 5,7 | 3,3 | 15.500 | E04 | 1.585,94 |
| G94566022U03 | CGT/4-560-6/-2,2 | 2,2 | 8,1 | 4,6 | 16.180 | E04 | 1.734,47 |
| G94636007U03 | CGT/4-630-6/-0,75 | 0,75 | 2,8 | 1,6 | 10.290 | E04 | 1.744,43 |
| G94636011U03 | CGT/4-630-6/-1,1 | 1,1 | 4,2 | 2,4 | 13.600 | E04 | 1.782,48 |
| G94636015U03 | CGT/4-630-6/-1,5 | 1,5 | 5,7 | 3,3 | 16.330 | E04 | 1.808,71 |
| G94636022U03 | CGT/4-630-6/-2,2 | 2,2 | 8,1 | 4,6 | 20.090 | E04 | 1.958,56 |
| G94636030U03 | CGT/4-630-6/-3 | 3 | 10,7 | 6,2 | 23.640 | E04 | 2.047,32 |
| G94713007U03 | CGT/4-710-3/-0,75 | 0,75 | 2,8 | 1,6 | 15.660 | E04 | 1.948,03 |
| G94713011U03 | CGT/4-710-3/-1,1 | 1,1 | 4,2 | 2,4 | 19.300 | E04 | 1.986,74 |
| G94713015U03 | CGT/4-710-3/-1,5 | 1,5 | 5,7 | 3,3 | 22.490 | E04 | 2.040,78 |
| G94713022U03 | CGT/4-710-3/-2,2 | 2,2 | 8,1 | 4,6 | 24.660 | E04 | 2.186,57 |
| G94713030U03 | CGT/4-710-3/-3 | 3 | 10,7 | 6,2 | 28.630 | E04 | 2.208,58 |

CARACTERÍSTICAS TÉCNICAS - 4 polos - 1450 rpm (continuación)

| Código | Modelo | Potencia motor (kW) | Intensidad nominal motor (A) | | Caudal máximo (m³/h) | Grupo producto | Precio €/u. |
|--------------|--------------------|---------------------|------------------------------|-------|----------------------|----------------|-------------|
| | | | 230 V | 400 V | | | |
| G94716011U03 | CGT/4-710-6/-1,1 | 1,1 | 4,2 | 2,4 | 14.320 | E04 | 2.091,85 |
| G94716015U03 | CGT/4-710-6/-1,5 | 1,5 | 5,7 | 3,3 | 18.570 | E04 | 2.145,86 |
| G94716022U03 | CGT/4-710-6/-2,2 | 2,2 | 8,1 | 4,6 | 22.270 | E04 | 2.291,67 |
| G94716030U03 | CGT/4-710-6/-3 | 3 | 10,7 | 6,2 | 27.380 | E04 | 2.313,64 |
| G94716040U03 | CGT/4-710-6/-4 | 4 | - | 8,1 | 29.930 | E04 | 2.540,38 |
| G94803011U03 | CGT/4-800-3/-1,1 | 1,1 | 4,2 | 2,4 | 20.880 | E04 | 2.264,49 |
| G94803015U03 | CGT/4-800-3/-1,5 | 1,5 | 5,7 | 3,3 | 24.780 | E04 | 2.285,35 |
| G94803022U03 | CGT/4-800-3/-2,2 | 2,2 | 8,1 | 4,6 | 27.520 | E04 | 2.330,49 |
| G94803030U03 | CGT/4-800-3/-3 | 3 | 10,7 | 6,2 | 32.050 | E04 | 2.488,44 |
| G94803040U03 | CGT/4-800-3/-4 | 4 | - | 8,1 | 34.860 | E04 | 2.646,84 |
| G94803055U03 | CGT/4-800-3/-5,5 | 5,5 | - | 10,5 | 36.280 | E04 | 2.832,12 |
| G94806015U03 | CGT/4-800-6/-1,5 | 1,5 | 5,7 | 3,3 | 18.940 | E04 | 2.434,62 |
| G94806022U03 | CGT/4-800-6/-2,2 | 2,2 | 8,1 | 4,6 | 23.430 | E04 | 2.478,81 |
| G94806030U03 | CGT/4-800-6/-3 | 3 | 10,7 | 6,2 | 29.950 | E04 | 2.635,36 |
| G94806040U03 | CGT/4-800-6/-4 | 4 | - | 8,1 | 33.230 | E04 | 2.793,74 |
| G94806055U03 | CGT/4-800-6/-5,5 | 5,5 | - | 10,5 | 36.980 | E04 | 2.990,35 |
| G94806075U03 | CGT/4-800-6/-7,5 | 7,5 | - | 14,1 | 40.470 | E04 | 3.008,58 |
| G94809040U03 | CGT/4-800-9/-4 | 4 | - | 8,1 | 24.830 | E04 | 2.975,73 |
| G94809055U03 | CGT/4-800-9/-5,5 | 5,5 | - | 10,5 | 31.830 | E04 | 3.160,16 |
| G94809075U03 | CGT/4-800-9/-7,5 | 7,5 | - | 13,9 | 37.910 | E04 | 3.171,97 |
| G94903022U03 | CGT/4-900-3/-2,2 | 2,2 | 8,1 | 4,6 | 28.080 | E04 | 2.561,88 |
| G94903030U03 | CGT/4-900-3/-3 | 3 | 10,7 | 6,2 | 35.040 | E04 | 2.709,76 |
| G94903040U03 | CGT/4-900-3/-4 | 4 | - | 8,1 | 39.260 | E04 | 2.925,57 |
| G94903055U03 | CGT/4-900-3/-5,5 | 5,5 | - | 10,5 | 42.500 | E04 | 3.354,27 |
| G94903075U03 | CGT/4-900-3/-7,5 | 7,5 | - | 13,9 | 49.880 | E04 | 3.782,06 |
| G94906040U03 | CGT/4-900-6/-4 | 4 | - | 8,1 | 29.540 | E04 | 3.223,84 |
| G94906055U03 | CGT/4-900-6/-5,5 | 5,5 | - | 10,5 | 38.140 | E04 | 3.674,23 |
| G94906075U03 | CGT/4-900-6/-7,5 | 7,5 | - | 13,9 | 46.530 | E04 | 4.120,72 |
| G94906110U03 | CGT/4-900-6/-11 | 11 | - | 20,7 | 55.180 | E04 | 4.571,55 |
| G94906150U03 | CGT/4-900-6/-15 | 15 | - | 28,4 | 56.480 | E04 | 4.969,37 |
| G94909055U03 | CGT/4-900-9/-5,5 | 5,5 | - | 10,5 | 31.620 | E04 | 3.786,92 |
| G94909075U03 | CGT/4-900-9/-7,5 | 7,5 | - | 13,9 | 40.930 | E04 | 4.231,17 |
| G94909110U03 | CGT/4-900-9/-11 | 11 | - | 20,7 | 50.560 | E04 | 4.718,82 |
| G94909150U03 | CGT/4-900-9/-15 | 15 | - | 28,4 | 57.990 | E04 | 5.116,64 |
| G94103030U03 | CGT/4-1000-3/-3 | 3 | 10,7 | 6,2 | 38.810 | E04 | 3.378,29 |
| G94103040U03 | CGT/4-1000-3/-4 | 4 | - | 8,1 | 45.140 | E04 | 3.533,55 |
| G94103055U03 | CGT/4-1000-3/-5,5 | 5,5 | - | 10,3 | 51.960 | E04 | 3.721,54 |
| G94103075U03 | CGT/4-1000-3/-7,5 | 7,5 | - | 13,9 | 59.610 | E04 | 4.039,58 |
| G94103011U03 | CGT/4-1000-3/-11 | 11 | - | 20,7 | 67.400 | E04 | 4.525,91 |
| G94106040U03 | CGT/4-1000-6/-4 | 4 | - | 8,1 | 32.490 | E04 | 3.920,07 |
| G94106055U03 | CGT/4-1000-6/-5,5 | 5,5 | - | 10,5 | 41.830 | E04 | 4.126,42 |
| G94106075U03 | CGT/4-1000-6/-7,5 | 7,5 | - | 13,9 | 50.090 | E04 | 4.456,81 |
| G94106110U03 | CGT/4-1000-6/-11 | 11 | - | 20,7 | 63.320 | E04 | 4.956,15 |
| G94106150U03 | CGT/4-1000-6/-15 | 15 | - | 28,4 | 71.240 | E04 | 5.367,40 |
| G94106185U03 | CGT/4-1000-6/-18,5 | 18,5 | - | 34,9 | 74.240 | E04 | 6.074,55 |
| G94106220U03 | CGT/4-1000-6/-22 | 22 | - | 40,9 | 78.210 | E04 | 6.590,81 |
| G94109055U03 | CGT/4-1000-9/-5,5 | 5,5 | - | 10,5 | 32.390 | E04 | 4.332,79 |
| G94109075U03 | CGT/4-1000-9/-7,5 | 7,5 | - | 13,9 | 39.920 | E04 | 4.659,07 |
| G94109110U03 | CGT/4-1000-9/-11 | 11 | - | 20,7 | 55.140 | E04 | 5.167,04 |
| G94109150U03 | CGT/4-1000-9/-15 | 15 | - | 28,4 | 66.300 | E04 | 5.583,48 |
| G94109185U03 | CGT/4-1000-9/-18,5 | 18,5 | - | 34,9 | 71.180 | E04 | 6.282,29 |
| G94109220U03 | CGT/4-1000-9/-22 | 22 | - | 40,9 | 77.850 | E04 | 6.803,17 |

CARACTERÍSTICAS TÉCNICAS - 4 polos - 1450 rpm (continuación)

| Código | Modelo | Potencia motor (kW) | Intensidad nominal motor (A) | | Caudal máximo (m³/h) | Grupo producto | Precio €/u. |
|--------------|--------------------|---------------------|------------------------------|-------|----------------------|----------------|-------------|
| | | | 230 V | 400 V | | | |
| G94123750U03 | CGT/4-1250-3/-7,5 | 7,5 | - | 13,9 | 70.700 | E04 | 5.252,50 |
| G94123110U03 | CGT/4-1250-3/-11 | 11 | - | 20,7 | 84.200 | E04 | 6.103,46 |
| G94123150U03 | CGT/4-1250-3/-15 | 15 | - | 28,4 | 100.000 | E04 | 6.576,41 |
| G94123185U03 | CGT/4-1250-3/-18,5 | 18,5 | - | 34,9 | 105.000 | E04 | 7.248,12 |
| G94123220U03 | CGT/4-1250-3/-22 | 22 | - | 40,9 | 115.000 | E04 | 7.731,19 |
| G94123300U03 | CGT/4-1250-3/-30 | 30 | - | 54,6 | 128.600 | E04 | 8.797,24 |
| G94126110U03 | CGT/4-1250-6/-11 | 11 | - | 21,7 | 68.000 | E04 | 6.591,71 |
| G94126150U03 | CGT/4-1250-6/-15 | 15 | - | 28,4 | 84.600 | E04 | 7.130,08 |
| G94126185U03 | CGT/4-1250-6/-18,5 | 18,5 | - | 34,9 | 92.000 | E04 | 7.835,75 |
| G94126220U03 | CGT/4-1250-6/-22 | 22 | - | 40,9 | 99.700 | E04 | 8.343,27 |
| G94126300U03 | CGT/4-1250-6/-30 | 30 | - | 54,6 | 122.200 | E04 | 9.463,27 |
| G94126370U03 | CGT/4-1250-6/-37 | 37 | - | 65,6 | 133.900 | E04 | 10.427,93 |
| G94126450U03 | CGT/4-1250-6/-45 | 45 | - | 79,4 | 141.600 | E04 | 11.429,72 |
| G94129150U03 | CGT/4-1250-9/-15 | 15 | - | 28,4 | 66.300 | E04 | 7.357,88 |
| G94129185U03 | CGT/4-1250-9/-18,5 | 18,5 | - | 34,9 | 76.500 | E04 | 8.062,11 |
| G94129220U03 | CGT/4-1250-9/-22 | 22 | - | 40,9 | 84.640 | E04 | 8.562,66 |
| G94129300U03 | CGT/4-1250-9/-30 | 30 | - | 54,6 | 100.300 | E04 | 9.685,76 |
| G94129370U03 | CGT/4-1250-9/-37 | 37 | - | 65,6 | 119.040 | E04 | 10.595,07 |
| G94129450U03 | CGT/4-1250-9/-45 | 45 | - | 79,4 | 135.070 | E04 | 11.596,80 |

CARACTERÍSTICAS TÉCNICAS - 6 polos - 950 rpm

| Código | Modelo | Potencia motor (kW) | Intensidad nominal motor (A) | | Caudal máximo (m³/h) | Grupo producto | Precio €/u. |
|--------------|-------------------|---------------------|------------------------------|-------|----------------------|----------------|-------------|
| | | | 230 V | 400 V | | | |
| G96566003U02 | CGT/6-560-6/-0,37 | 0,37 | 1,8 | 1,1 | 8.770 | E04 | 1.533,52 |
| G96566005U02 | CGT/6-560-6/-0,55 | 0,55 | 2,6 | 1,5 | 10.000 | E04 | 1.552,55 |
| G96636003U02 | CGT/6-630-6/-0,37 | 0,37 | 1,8 | 1,1 | 10.219 | E04 | 1.796,07 |
| G96636005U02 | CGT/6-630-6/-0,55 | 0,55 | 2,6 | 1,5 | 11.620 | E04 | 1.812,80 |
| G96636007U03 | CGT/6-630-6/-0,75 | 0,75 | 3,4 | 2,0 | 13.340 | E04 | 1.833,45 |
| G96636011U03 | CGT/6-630-6/-1,1 | 1,1 | 4,8 | 2,8 | 15.300 | E04 | 1.943,46 |
| G96713005U02 | CGT/6-710-3/-0,55 | 0,55 | 2,6 | 1,5 | 15.440 | E04 | 1.944,60 |
| G96713007U03 | CGT/6-710-3/-0,75 | 0,75 | 3,4 | 2,0 | 17.150 | E04 | 1.965,19 |
| G96716005U02 | CGT/6-710-6/-0,55 | 0,55 | 2,6 | 1,5 | 13.120 | E04 | 2.049,68 |
| G96716007U03 | CGT/6-710-6/-0,75 | 0,75 | 3,4 | 2,0 | 16.080 | E04 | 2.070,32 |
| G96716011U03 | CGT/6-710-6/-1,1 | 1,1 | 4,8 | 2,8 | 19.490 | E04 | 2.196,11 |
| G96803005U02 | CGT/6-800-3/-0,55 | 0,55 | 2,6 | 1,5 | 16.840 | E04 | 2.185,07 |
| G96803007U03 | CGT/6-800-3/-0,75 | 0,75 | 3,4 | 2,0 | 19.650 | E04 | 2.205,72 |
| G96803011U03 | CGT/6-800-3/-1,1 | 1,1 | 4,8 | 2,8 | 24.140 | E04 | 2.351,11 |
| G96806005U02 | CGT/6-800-6/-0,55 | 0,55 | 2,6 | 1,5 | 14.960 | E04 | 2.313,68 |
| G96806007U03 | CGT/6-800-6/-0,75 | 0,75 | 3,4 | 2,0 | 17.830 | E04 | 2.334,35 |
| G96806011U03 | CGT/6-800-6/-1,1 | 1,1 | 4,8 | 2,8 | 20.370 | E04 | 2.498,41 |
| G96806015U03 | CGT/6-800-6/-1,5 | 1,5 | 6,5 | 3,7 | 24.890 | E04 | 2.588,31 |
| G96806022U03 | CGT/6-800-6/-2,2 | 2,2 | 9,2 | 5,3 | 27.480 | E04 | 2.833,73 |
| G96809011U03 | CGT/6-800-9/-1,1 | 1,1 | 4,8 | 2,8 | 15.080 | E04 | 2.679,44 |
| G96809015U03 | CGT/6-800-9/-1,5 | 1,5 | 6,5 | 3,7 | 20.530 | E04 | 2.769,68 |
| G96809022U03 | CGT/6-800-9/-2,2 | 2,2 | 9,2 | 5,3 | 25.020 | E04 | 3.016,51 |
| G96809030U03 | CGT/6-800-9/-3 | 3 | 12,7 | 7,3 | 26.840 | E04 | 3.299,50 |
| G96903015U03 | CGT/6-900-3/-1,5 | 1,5 | 6,5 | 3,7 | 27.470 | E04 | 2.582,96 |
| G96903022U03 | CGT/6-900-3/-2,2 | 2,2 | 9,2 | 5,3 | 31.870 | E04 | 2.899,77 |
| G96906015U03 | CGT/6-900-6/-1,5 | 1,5 | 6,5 | 3,7 | 22.940 | E04 | 2.813,99 |
| G96906022U03 | CGT/6-900-6/-2,2 | 2,2 | 9,2 | 5,3 | 28.860 | E04 | 3.132,02 |
| G96906030U03 | CGT/6-900-6/-3 | 3 | 12,7 | 7,3 | 35.490 | E04 | 3.552,00 |

CARACTERÍSTICAS TÉCNICAS - 6 polos - 950 rpm (continuación)

| Código | Modelo | Potencia motor (kW) | Intensidad nominal motor (A) | | Caudal máximo (m³/h) | Grupo producto | Precio €/u. |
|--------------|--------------------|---------------------|------------------------------|-------|----------------------|----------------|-------------|
| | | | 230 V | 400 V | | | |
| G96909015U03 | CGT/6-900-9/-1,5 | 1,5 | 6,5 | 3,7 | 19.260 | E04 | 2.972,58 |
| G96909022U03 | CGT/6-900-9/-2,2 | 2,2 | 9,2 | 5,3 | 26.830 | E04 | 3.309,39 |
| G96909030U03 | CGT/6-900-9/-3 | 3 | 12,7 | 7,3 | 32.900 | E04 | 3.690,10 |
| G96103015U03 | CGT/6-1000-3/-1,5 | 1,5 | 6,5 | 3,7 | 30.050 | E04 | 2.829,79 |
| G96103022U03 | CGT/6-1000-3/-2,2 | 2,2 | 9,2 | 5,3 | 37.560 | E04 | 2.993,91 |
| G96103030U03 | CGT/6-1000-3/-3 | 3 | 12,7 | 7,3 | 42.190 | E04 | 3.406,39 |
| G96103040U03 | CGT/6-1000-3/-4 | 4 | - | 9,5 | 45.430 | E04 | 3.679,04 |
| G96106015U03 | CGT/6-1000-6/-1,5 | 1,5 | 6,5 | 3,7 | 24.850 | E04 | 3.191,84 |
| G96106022U03 | CGT/6-1000-6/-2,2 | 2,2 | 9,2 | 5,3 | 30.260 | E04 | 3.362,76 |
| G96106030U03 | CGT/6-1000-6/-3 | 3 | 12,7 | 7,3 | 38.790 | E04 | 3.796,81 |
| G96106040U03 | CGT/6-1000-6/-4 | 4 | - | 9,5 | 43.090 | E04 | 4.079,34 |
| G96106055U03 | CGT/6-1000-6/-5,5 | 5,5 | - | 12,8 | 50.170 | E04 | 4.446,14 |
| G96106075U03 | CGT/6-1000-6/-7,5 | 7,5 | - | 14,7 | 52.300 | E04 | 4.822,54 |
| G96109022U03 | CGT/6-1000-9/-2,2 | 2,2 | 9,2 | 5,3 | 27.250 | E04 | 3.577,02 |
| G96109030U03 | CGT/6-1000-9/-3 | 3 | 12,7 | 7,3 | 32.590 | E04 | 4.011,48 |
| G96109040U03 | CGT/6-1000-9/-4 | 4 | - | 9,5 | 37.720 | E04 | 4.294,07 |
| G96109055U03 | CGT/6-1000-9/-5,5 | 5,5 | - | 12,8 | 49.490 | E04 | 4.661,36 |
| G96109075U03 | CGT/6-1000-9/-7,5 | 7,5 | - | 14,7 | 55.620 | E04 | 5.033,16 |
| G96123022U03 | CGT/6-1250-3/-2,2 | 2,2 | 9,2 | 5,3 | 39.240 | E04 | 5.044,99 |
| G96123030U03 | CGT/6-1250-3/-3 | 3 | 12,7 | 7,3 | 52.660 | E04 | 5.371,63 |
| G96123040U03 | CGT/6-1250-3/-4 | 4 | - | 9,5 | 59.500 | E04 | 5.583,81 |
| G96123055U03 | CGT/6-1250-3/-5,5 | 5,5 | - | 12,8 | 69.100 | E04 | 6.008,31 |
| G96123075U03 | CGT/6-1250-3/-7,5 | 7,5 | - | 14,7 | 76.000 | E04 | 6.350,90 |
| G96123011U03 | CGT/6-1250-3/-11 | 11 | - | 21,5 | 81.600 | E04 | 6.921,24 |
| G96126040U03 | CGT/6-1250-6/-4 | 4 | - | 9,5 | 40.090 | E04 | 6.091,68 |
| G96126055U03 | CGT/6-1250-6/-5,5 | 5,5 | - | 12,8 | 63.600 | E04 | 6.387,42 |
| G96126075U03 | CGT/6-1250-6/-7,5 | 7,5 | - | 14,7 | 75.590 | E04 | 6.893,13 |
| G96126110U03 | CGT/6-1250-6/-11 | 11 | - | 21,5 | 88.480 | E04 | 7.492,36 |
| G96126150U03 | CGT/6-1250-6/-15 | 15 | - | 30,4 | 101.000 | E04 | 8.448,47 |
| G96129055U03 | CGT/6-1250-9/-5,5 | 5,5 | - | 12,8 | 54.570 | E04 | 6.600,66 |
| G96129075U03 | CGT/6-1250-9/-7,5 | 7,5 | - | 14,7 | 66.000 | E04 | 7.100,69 |
| G96129110U03 | CGT/6-1250-9/-11 | 11 | - | 21,5 | 77.000 | E04 | 7.710,62 |
| G96129150U03 | CGT/6-1250-9/-15 | 15 | - | 30,4 | 94.150 | E04 | 8.632,15 |
| G96129185U03 | CGT/6-1250-9/-18,5 | 18,5 | - | 37,3 | 103.600 | E04 | 9.811,68 |
| G96129220U03 | CGT/6-1250-9/-22 | 22 | - | 43 | 108.240 | E04 | 10.180,66 |

Modelos CGT de 2 velocidades, bajo demanda.

Bajo demanda, modelos de 2 velocidades, con la relación de diámetros detallada y con múltiples inclinaciones de álabes.

2/4 polos diámetros 400-450

4/8 polos diámetros 400-450-500-560-630-710-800-900-1000-1250

6/12 polos diámetros 560-630-710-800-900-1000-1250

ACCESORIOS ELÉCTRICOS

Convertidores de frecuencia
Series VFTM y VFKB

Para regular del 0 al 100% la velocidad nominal de un motor.
(Ver modelos y precios en Accesorios Generales)

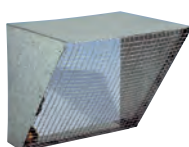
ACCESORIOS DE MONTAJE ESPECÍFICOS PARA LAS SERIES CHGT Y CGT



PER-CR CHGT/CGT

Persianas de sobrepresión con marco de chapa de acero y lamas de aluminio, ligeras y resistentes, con dispositivo que permite una perfecta y coordinada apertura de todas sus lamas. Color RAL 7045.

Estas persianas incorporan malla de protección.
Para utilizar con los ventiladores de las series CHGT y CGT, en instalaciones en paralelo, para evitar retornos de aire.



CVD CHGT/CGT

Viseras con malla para montar en la aspiración o en la descarga de los ventiladores.



ACOP RECT CHGT/CGT F400

Acoplamientos elásticos rectangulares desenfundaje.

Ver códigos y precios en la Serie CHGT.

Serie CAB



Cajas de ventilación estancas, de bajo nivel sonoro, fabricadas en chapa de acero galvanizado, con aislamiento acústico ininflamable (M0) de fibra de vidrio de 50 mm de espesor; cierres estancos, de tipo tracción giratorio, de fácil apertura, ventilador centrífugo de álabes hacia adelante, motor con rodamientos a bolas, protector térmico caja de bornes remota IP55.

Los ventiladores incorporados en las cajas acústicas CAB cumplen con los requerimientos de la directiva ErP de eficiencia energética.

**Motores**

De 2 ó 4 polos, según versiones.
Tensión de alimentación

Monofásicos 230V-50/60Hz (modelos 100 a 160).
Monofásicos 230V-50Hz (modelos 200 a 400).

Modelos 100 a 250N: IP44, Clase B.

Modelo 315 RE: IP55, Clase F.

Modelos 355 RE y 400 RE: IP55, Clase F.

Regulables por variación de tensión.

Temperatura de trabajo de -20°C a +40°C.

Otros datos

Pueden ser instaladas en exterior sin necesidad de tapa de intemperie.

Es imprescindible comprobar que las características eléctricas (voltaje, intensidad, frecuencia, etc) del motor que aparecen en la placa del mismo son compatibles con las de la instalación.

| Código | Modelo | Tamaño del ventilador | Velocidad (r.p.m.) | Potencia absorbida máxima (W) | Intensidad a 230 V (A) | Caudal máximo (m³/h) | Nivel de presión sonora** (dB(A)) a 1,5 m | | | Mín-Máx temperatura del aire (°C) | Peso (kg) | Regulador de tensión opcional | Grupo producto | Precio €/u. |
|------------|------------|-----------------------|--------------------|-------------------------------|------------------------|----------------------|---|----------|----------|-----------------------------------|-----------|-------------------------------|----------------|-------------|
| | | | | | | | Aspiración | Descarga | Radiado* | | | | | |
| 5113862300 | CAB-100 | 140/059 | 1390 | 42 | 0,18 | 190 | 30 | 44 | 29 | -20/+40 | 16 | REB-1N | E01 | 497,04 |
| 5113210800 | CAB-125 | 140/059 | 1190 | 43 | 0,19 | 220 | 29 | 45 | 28 | -20/+40 | 16 | REB-1N | E01 | 511,96 |
| 5113862400 | CAB-150 | 140/059 | 1580 | 93 | 0,41 | 350 | 39 | 53 | 35 | -20/+40 | 18 | REB-1N | E01 | 528,56 |
| 5113211600 | CAB-160 | 140/059 | 1740 | 94 | 0,41 | 360 | 39 | 53 | 35 | -20/+40 | 18 | REB-1N | E01 | 544,42 |
| 5113212400 | CAB-200 | 133/126 | 2330 | 299 | 1,26 | 920 | 48 | 65 | 46 | -20/+40 | 22 | REB-2,5N | E01 | 601,44 |
| 5113216500 | CAB-250 N | 146/180 | 1550 | 395 | 1,73 | 1.180 | 46 | 63 | 38 | -20/+40 | 27 | REB-2,5N | E01 | 671,28 |
| 5148515100 | CAB-315 RE | 7/9 | 1280 | 357 | 1,53 | 2.110 | 48 | 60 | 45 | -20/+40 | 33 | REB-2,5N | E01 | 1.031,13 |
| 5148550400 | CAB-355 RE | 9/9 | 1330 | 861 | 4,13 | 3.200 | 51 | 65 | 45 | -20/+40 | 35 | REB-5 | E01 | 1.089,02 |
| 5148550500 | CAB-400 RE | 9/9 | 1330 | 870 | 4,09 | 3.080 | 53 | 66 | 47 | -20/+40 | 35 | REB-5 | E01 | 1.128,81 |

* Aparato entubado aspiración/descarga.

** Nivel de presión sonora medido a 1,5 m en campo libre en el punto medio de la curva.

Serie CAB-B



Cajas de ventilación estancas, de bajo nivel sonoro, fabricadas en chapa de acero galvanizado, con aislamiento acústico ininflamable (M0) de fibra de vidrio de 50 mm de espesor, cierres estancos, de tipo tracción giratorio, de fácil apertura, ventilador centrífugo de álabes hacia atrás, motor de rotor exterior con rodamientos a bolas, protector térmico y caja de bornes exterior IP55.

Los ventiladores incorporados en las cajas acústicas CAB cumplen con los requerimientos de la directiva ErP de eficiencia energética.

**Motores**

De 2 polos.

Tensión de alimentación

Monofásicos 230V-50/60Hz.

Modelos 125B a 160B: IP44, Clase B.

Modelos 200B y 250B: IP44, Clase F.

Regulables por variación de tensión.

Otros datos

Pueden ser instaladas en exterior sin necesidad de tapa de intemperie.

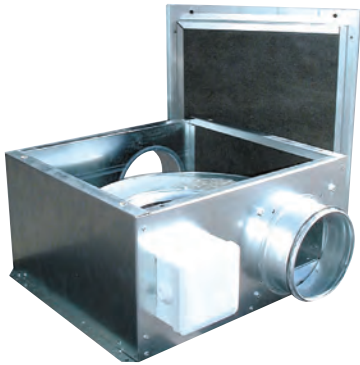
Es imprescindible comprobar que las características eléctricas (voltaje, intensidad, frecuencia, etc) del motor que aparecen en la placa del mismo son compatibles con las de la instalación.

| Código | Modelo | Velocidad (r.p.m.) | Potencia absorbida máxima (W) | Intensidad absorbida máxima (A) | Caudal máximo (m³/h) | Nivel de presión sonora** (dB(A)) a 1,5 m | | | Mín-Máx temperatura del aire (°C) | Peso (kg) | Regulador de tensión opcional | Grupo producto | Precio €/u. |
|------------|----------|--------------------|-------------------------------|---------------------------------|----------------------|---|----------|----------|-----------------------------------|-----------|-------------------------------|----------------|-------------|
| | | | | | | Aspiración | Descarga | Radiado* | | | | | |
| 5113866000 | CAB-125B | 2550 | 65 | 0,3 | 390 | 45 | 40 | 35 | -20/+50 | 13 | REB-1N | E01 | 679,39 |
| 5113866100 | CAB-150B | 2590 | 63 | 0,3 | 420 | 45 | 40 | 36 | -20/+50 | 15 | REB-1N | E01 | 701,75 |
| 5113866200 | CAB-160B | 2620 | 64 | 0,3 | 430 | 45 | 40 | 36 | -20/+50 | 15 | REB-1N | E01 | 706,06 |
| 5113866300 | CAB-200B | 2620 | 157 | 0,8 | 920 | 53 | 47 | 40 | -20/+70 | 22 | REB-1N | E01 | 803,87 |
| 5113866400 | CAB-250B | 2620 | 225 | 1,2 | 1.220 | 56 | 49 | 42 | -20/+70 | 25 | REB-2,5N | E01 | 887,92 |

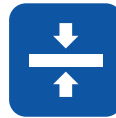
* Aparato entubado aspiración/descarga.

** Nivel de presión sonora medido a 1,5 m en campo libre en el punto medio de la curva.

Serie CAB-PLUS



Cajas de ventilación estancas, de bajo perfil, bajo nivel sonoro, fabricadas en chapa de acero galvanizado, con aislamiento acústico ininflamable (M0) de fibra de vidrio de 25 mm de espesor, cierre estanco, ventilador centrífugo de simple oído de álabes hacia adelante y motor monofásico de rotor exterior de 3 velocidades, IP44, Clase B, con rodamientos a bolas, protector térmico y caja de bornes externa IP55.
Temperatura de trabajo de -20°C a +40°C.



BAJO PERFIL

Motores

De 2 ó 4 polos según versiones.
Tensión de alimentación
Monofásicos 230V-50/60Hz.

Otros datos

Suministradas con una tapa extraíble de cierre hermético, que permite que puedan ser instaladas en exterior sin necesidad de tapa de interperie.
Bajo demanda, modelos con aislamiento acústico ininflamable (M0), de fibra de vidrio de 50 mm de espesor, que reducen sensiblemente el ruido radiado.

Es imprescindible comprobar que las características eléctricas (voltaje, intensidad, frecuencia, etc) del motor que aparecen en la placa del mismo son compatibles con las de la instalación.

| Código | Modelo | Velocidad (r.p.m.) | Potencia absorbida máxima (W) | Intensidad absorbida máxima (A) | Caudal en descarga libre (m³/h) | Nivel de presión sonora* (dB(A)) | | | Mín-Máx temperatura del aire (°C) | Peso (kg) | Interruptor de 3 velocidades opcional | Regulador de tensión opcional | Grupo producto | Precio €/u. | |
|------------|----------------|--------------------|-------------------------------|---------------------------------|---------------------------------|----------------------------------|----------|---------|-----------------------------------|-----------|---------------------------------------|-------------------------------|------------------|-------------|----------|
| | | | | | | Aspiración | Descarga | Radiado | | | | | | | |
| 5113220700 | CAB-PLUS 125 | VR | 910 | 57 | 0,25 | 280 | 32 | 41 | 29 | -20/+40 | 11,6 | COM-3 INTER 4P | RMB-1,5 REB-1N | E01 | 662,69 |
| | | VM | 723 | 31 | 0,19 | 220 | 31 | 41 | 24 | | | | | | |
| | | VL | 585 | 24 | 0,18 | 180 | 34 | 43 | 19 | | | | | | |
| 5113217300 | CAB-PLUS 160 | VR | 1317 | 97 | 0,42 | 600 | 42 | 53 | 38 | -20/+40 | 15,9 | INTER 4P | RMB-1,5 REB-1N | E01 | 762,22 |
| | | VM | 1010 | 53 | 0,36 | 440 | 37 | 49 | 32 | | | | | | |
| | | VL | 714 | 35 | 0,31 | 310 | 38 | 49 | 25 | | | | | | |
| 5113867400 | CAB-PLUS 250 N | VR | 1317 | 133 | 0,59 | 750 | 50 | 61 | 43 | -20/+40 | 22,5 | INTER 4P | RMB-1,5 REB-1N | E01 | 924,65 |
| | | VM | 880 | 67 | 0,44 | 500 | 45 | 56 | 34 | | | | | | |
| | | VL | 639 | 47 | 0,35 | 370 | 45 | 54 | 27 | | | | | | |
| 5113218200 | CAB-PLUS 315 | VR | 1200 | 326 | 1,46 | 1.280 | 53 | 64 | 45 | -20/+40 | 26,8 | INTER 4P | RMB-3,5 REB-2,5N | E01 | 1.189,76 |
| | | VM | 962 | 251 | 1,39 | 1.060 | 51 | 62 | 40 | | | | | | |
| | | VL | 692 | 171 | 1,19 | 760 | 50 | 60 | 33 | | | | | | |

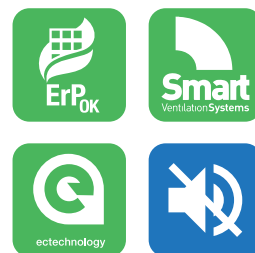
* Nivel de presión sonora, medido a 1,5 metros en campo libre.

Serie CAB ECOWATT



Cajas de ventilación estancas, de bajo nivel sonoro, fabricadas en chapa de acero galvanizado, con aislamiento acústico ininflamable (M0) de fibra de vidrio de 50 mm de espesor, silenciador acústico en la aspiración, juntas estancas en aspiración y descarga, cierres estancos de tipo tracción giratorio, de fácil apertura, y ventilador centrífugo de álabes hacia atrás.

Motor brushless de corriente continua, de alto rendimiento y bajo consumo, alimentación 230V±15% 50/60Hz, IP44, rodamientos a bolas, protector térmico, interruptor ON/OFF con potenciómetro incorporado para ajustar la velocidad del 10 al 100% y entrada analógica para controlar el ventilador con una señal de 0-10V. Temperatura de trabajo de -20°C a +40°C.

**Otros datos**

Pueden ser colocadas en cualquier posición.
Diseñadas para instalaciones en interior.

Es imprescindible comprobar que las características eléctricas (voltaje, intensidad, frecuencia, etc) del motor que aparecen en la placa del mismo son compatibles con las de la instalación.

| Código | Modelo | Tensión de control (V) | Velocidad (r.p.m.) | Potencia abs. máx. (W) | Intensidad abs. máx. (A) | Caudal máximo (m³/h) | Nivel de presión sonora* (dB(A) a 1,5 m) | | | Peso (kg) | Grupo producto | Precio €/u. |
|------------|-----------------|------------------------|--------------------|------------------------|--------------------------|----------------------|--|------------|---------|-----------|----------------|-------------|
| | | | | | | | Descarga | Aspiración | Radiado | | | |
| 5113862800 | CAB-125 ECOWATT | 10 | 3900 | 75 | 0,5 | 400 | 46 | 51 | 37 | 13 | E01 | 745,59 |
| | | 8 | 3550 | 57 | 0,4 | 355 | 44 | 49 | 35 | | | |
| | | 6 | 2600 | 27 | 0,2 | 260 | 37 | 42 | 34 | | | |
| | | 4 | 1800 | 12 | 0,1 | 185 | 28 | 33 | 25 | | | |
| 5113862900 | CAB-150 ECOWATT | 10 | 3270 | 103 | 0,7 | 600 | 47 | 50 | 38 | 15 | E01 | 792,87 |
| | | 8 | 2980 | 78 | 0,6 | 540 | 45 | 47 | 36 | | | |
| | | 6 | 2300 | 38 | 0,3 | 410 | 39 | 41 | 33 | | | |
| | | 4 | 1610 | 16 | 0,1 | 280 | 30 | 33 | 26 | | | |
| 5113863000 | CAB-160 ECOWATT | 10 | 3270 | 102 | 0,7 | 590 | 47 | 51 | 41 | 15 | E01 | 792,87 |
| | | 8 | 3020 | 81 | 0,5 | 530 | 45 | 49 | 40 | | | |
| | | 6 | 2350 | 41 | 0,3 | 410 | 39 | 43 | 36 | | | |
| | | 4 | 1620 | 18 | 0,1 | 280 | 30 | 34 | 27 | | | |
| 5113863100 | CAB-200 ECOWATT | 10 | 2570 | 161 | 1,1 | 1.090 | 48 | 53 | 39 | 23 | E01 | 875,88 |
| | | 8 | 2195 | 100 | 0,7 | 910 | 44 | 49 | 36 | | | |
| | | 6 | 1715 | 50 | 0,4 | 710 | 37 | 43 | 31 | | | |
| | | 4 | 1250 | 23 | 0,2 | 520 | 29 | 36 | 26 | | | |
| 5113863200 | CAB-250 ECOWATT | 10 | 2650 | 219 | 1,4 | 1.220 | 52 | 58 | 42 | 24 | E01 | 1.071,23 |
| | | 8 | 2390 | 162 | 1,1 | 1.100 | 47 | 50 | 29 | | | |
| | | 6 | 1905 | 85 | 0,6 | 880 | 42 | 45 | 27 | | | |
| | | 4 | 1410 | 40 | 0,3 | 660 | 37 | 38 | 21 | | | |
| 5113863300 | CAB-315 ECOWATT | 10 | 1990 | 238 | 1,0 | 1.910 | 54 | 57 | 52 | 28 | E01 | 1.443,88 |
| | | 8 | 1670 | 143 | 0,6 | 1.610 | 50 | 53 | 48 | | | |
| | | 6 | 1390 | 88 | 0,4 | 1.360 | 45 | 48 | 40 | | | |
| | | 4 | 1060 | 46 | 0,2 | 1.010 | 38 | 42 | 35 | | | |
| 5113863400 | CAB-355 ECOWATT | 10 | 1940 | 335 | 1,4 | 2.580 | 54 | 58 | 49 | 32 | E01 | 1.585,94 |
| | | 8 | 1685 | 224 | 1,0 | 2.260 | 52 | 55 | 46 | | | |
| | | 6 | 1380 | 130 | 0,6 | 1.840 | 50 | 50 | 39 | | | |
| | | 4 | 1070 | 69 | 0,3 | 1.440 | 40 | 43 | 33 | | | |
| 5113864300 | CAB-400 ECOWATT | 10 | 1940 | 335 | 1,4 | 2.650 | 54 | 55 | 48 | 32 | E01 | 1.643,96 |
| | | 8 | 1695 | 229 | 1,1 | 2.320 | 50 | 53 | 48 | | | |
| | | 6 | 1380 | 131 | 0,6 | 1.900 | 45 | 48 | 40 | | | |
| | | 4 | 1070 | 68 | 0,3 | 1.460 | 38 | 42 | 35 | | | |

* Punto medio de la curva.

Serie CAB ECOWATT PLUS



Cajas de ventilación acústica de bajo nivel sonoro, fabricadas en chapa de acero galvanizado, con aislamiento acústico ininflamable (M0) de fibra de vidrio de 50 mm de espesor, silenciador acústico en la aspiración, juntas estancas en aspiración y descarga, cierres estancos de tipo tracción giratorio, de fácil apertura y ventilador centrífugo de álabes hacia atrás.

Motores

Motor brushless de rotor exterior de corriente continua, de alto rendimiento y bajo consumo, alimentación 230V±10% 50/60Hz, IP44, rodamientos a bolas, protector térmico e interruptor paro/marcha.

Otros datos

Temperatura de trabajo de -20°C a +40°C.
Pueden ser colocadas en cualquier posición.
Diseñadas para instalaciones en interior.

Control integrado

Se suministra con control integrado del tipo plug & play preconfigurado para trabajar a presión constante (COP) con las siguientes consignas de presión según modelo:

- CAB-125: 100 Pa
- CAB-150 a 315: 150 Pa
- CAB-355 y 400: 200 Pa

Adquiriendo la consola de programación PROSYS ECOWATT, se tendrá acceso a la parametrización del modo presión constante (COP) además de 3 modos adicionales:

- Caudal constante (CAV).
- Proporcional (VAV).
- Mínimo-Máximo.
- Programador horario (con combinación con accesorio TIMER RTC).

Modo Presión constante (COP)

- Velocidad mínima del ventilador entre 0-50%.
- Velocidad máxima del ventilador entre 50-100%.
- Posición noche ajustable entre 25-100% de la presión a velocidad máxima.

Modo Caudal constante (CAV)
(excepto modelo 125)

- Velocidad mínima del ventilador entre 0-50%.
- Velocidad máxima del ventilador entre 50-100%.
- Posición noche ajustable entre 25-100% del caudal a velocidad máxima.

Modo Proporcional (VAV)

- Hasta 2 entradas analógicas, 0-10V ó 4-20mA.
- Selección de demanda máxima cuando 2 entradas analógicas conectadas.
- Velocidad mínima del ventilador entre 0-50%.
- Velocidad máxima del ventilador entre 50-100%.
- Salida para relé de alarma.

Modo Mínimo-Máximo

- Entrada digital para selección de velocidad.
- Velocidad mínima del ventilador entre 0-50%.
- Velocidad máxima del ventilador entre 50-100%.

Timer (RTC)

Adquiriendo el accesorio TIMER RTC juntamente con la consola de programación PROSYS ECOWATT se podrá programar franjas horarias de funcionamiento.

- Hasta tres periodos diarios con la consigna deseada.
- Periodo vacaciones.

Modbus RTU

Esta serie permite la visualización y el control de todos los parámetros mediante red Modbus-RTU.



Es imprescindible comprobar que las características eléctricas (voltaje, intensidad, frecuencia, etc) del motor que aparecen en la placa del mismo son compatibles con las de la instalación.

| Código | Modelo | Tensión de control (V) | Velocidad (r.p.m.) | Potencia abs. máx. (W) | Intensidad abs. máx. (A) | Caudal máximo (m³/h) | Nivel de presión sonora (dB(A) a 1,5 m) | | | Peso (kg) | Grupo producto | Precio €/u. |
|------------|----------------------|------------------------|--------------------|------------------------|--------------------------|----------------------|---|------------|---------|-----------|----------------|-------------|
| | | | | | | | Descarga | Aspiración | Radiado | | | |
| 5113866500 | CAB-125 ECOWATT PLUS | 10 | 3900 | 75 | 0,5 | 400 | 46 | 51 | 37 | 14 | E01 | 1.247,16 |
| | | 8 | 3550 | 57 | 0,4 | 355 | 44 | 49 | 35 | | | |
| | | 6 | 2600 | 27 | 0,2 | 260 | 37 | 42 | 34 | | | |
| | | 4 | 1800 | 12 | 0,1 | 185 | 28 | 33 | 25 | | | |
| 5113866600 | CAB-150 ECOWATT PLUS | 10 | 3270 | 103 | 0,7 | 600 | 47 | 50 | 38 | 16 | E01 | 1.326,24 |
| | | 8 | 2980 | 78 | 0,6 | 540 | 45 | 47 | 36 | | | |
| | | 6 | 2300 | 38 | 0,3 | 410 | 39 | 41 | 33 | | | |
| | | 4 | 1610 | 16 | 0,1 | 280 | 30 | 33 | 26 | | | |
| 5113866700 | CAB-160 ECOWATT PLUS | 10 | 3270 | 102 | 0,7 | 590 | 47 | 51 | 41 | 16 | E01 | 1.326,24 |
| | | 8 | 3020 | 81 | 0,5 | 530 | 45 | 49 | 40 | | | |
| | | 6 | 2350 | 41 | 0,3 | 410 | 39 | 43 | 36 | | | |
| | | 4 | 1620 | 18 | 0,1 | 280 | 30 | 34 | 27 | | | |
| 5113864800 | CAB-200 ECOWATT PLUS | 10 | 2910 | 189 | 1,2 | 1.070 | 40 | 55 | 40 | 23 | E01 | 1.442,19 |
| | | 8 | 2630 | 145 | 1,0 | 965 | 48 | 55 | 40 | | | |
| | | 6 | 2090 | 75 | 0,5 | 760 | 42 | 47 | 33 | | | |
| | | 4 | 1540 | 35 | 0,2 | 560 | 36 | 40 | 27 | | | |
| 5113866800 | CAB-250 ECOWATT PLUS | 10 | 2650 | 219 | 1,4 | 1.220 | 52 | 58 | 42 | 25 | E01 | 1.679,89 |
| | | 8 | 2390 | 162 | 1,1 | 1.100 | 49 | 55 | 39 | | | |
| | | 6 | 1905 | 85 | 0,6 | 880 | 45 | 50 | 36 | | | |
| | | 4 | 1410 | 40 | 0,3 | 660 | 37 | 42 | 29 | | | |
| 5113866900 | CAB-315 ECOWATT PLUS | 10 | 1990 | 238 | 1 | 1.910 | 54 | 57 | 52 | 29 | E01 | 2.188,79 |
| | | 8 | 1670 | 143 | 0,6 | 1.610 | 50 | 53 | 48 | | | |
| | | 6 | 1390 | 88 | 0,4 | 1.360 | 45 | 48 | 40 | | | |
| | | 4 | 1060 | 46 | 0,2 | 1.010 | 38 | 42 | 35 | | | |
| 5113867000 | CAB-355 ECOWATT PLUS | 10 | 1940 | 335 | 1,4 | 2.580 | 54 | 58 | 49 | 33 | E01 | 2.371,02 |
| | | 8 | 1685 | 224 | 1 | 2.260 | 52 | 55 | 46 | | | |
| | | 6 | 1380 | 130 | 0,6 | 1.840 | 50 | 50 | 39 | | | |
| | | 4 | 1070 | 69 | 0,3 | 1.440 | 40 | 43 | 33 | | | |
| 5113867100 | CAB-400 ECOWATT PLUS | 10 | 1940 | 335 | 1,4 | 2.650 | 54 | 55 | 48 | 33 | E01 | 2.457,71 |
| | | 8 | 1695 | 229 | 1,1 | 2.320 | 50 | 53 | 48 | | | |
| | | 6 | 1380 | 131 | 0,6 | 1.900 | 45 | 48 | 40 | | | |
| | | 4 | 1070 | 68 | 0,3 | 1.460 | 38 | 42 | 35 | | | |

ACCESORIOS ELÉCTRICOS CAB ECOWATT PLUS

**Modelo**

Consola de programación

PROSYS ECOWATT

Módulo para programador horario

TIMER RTC ECOWATT



(Ver códigos y precios en Accesorios Generales)

Serie CVB SLIMBOX



Cajas de ventilación estancas, de bajo perfil, bajo nivel sonoro, fabricadas en chapa de acero galvanizado, aislamiento acústico (M1) de espuma de melamina de 7 mm de espesor, cierre estanco, ventilador centrífugo de simple aspiración (1) de álabes hacia adelante y motor monofásico IP44, Clase B, de rotor exterior con protector térmico y caja de bornes remota IP44.

Temperatura de trabajo de -20°C a +40°C.

(1) Modelo 1100/250: Doble aspiración.

Motores

De rotor exterior.

De 2 ó 4 polos, según versiones.

Tensión de alimentación

Monofásicos 230V-50Hz.

Otros datos

Suministradas con una tapa extraíble de cierre hermético, que permite que puedan ser instaladas en exterior sin necesidad de tapa de intemperie.

Bajo pedido, modelos con carcasa protegida con pintura epoxi anticorrosiva.



BAJO PERFIL

Es imprescindible comprobar que las características eléctricas (voltaje, intensidad, frecuencia, etc) del motor que aparecen en la placa del mismo son compatibles con las de la instalación.

| Código | Modelo | Velocidad (r.p.m.) | Potencia absorbida máxima (W) | Intensidad absorbida máxima (A) | Caudal máximo (m³/h) | Nivel de presión sonora** (dB(A)) a 1,5 m | | | Mín-Max temperatura del aire (°C) | Peso (kg) | Regulador de velocidad | | Grupo producto | Precio €/u. |
|------------|-----------------|--------------------|-------------------------------|---------------------------------|----------------------|---|----------|----------|-----------------------------------|-----------|------------------------|---------|----------------|-------------|
| | | | | | | Aspiración | Descarga | Radiado* | | | REB | RMB | | |
| 5137282900 | CVB-350/125 | 1700 | 92 | 0,4 | 330 | 46 | 54 | 41 | -20/+40 | 6 | REB-1N | RMB-1,5 | E01 | 348,44 |
| 5137283700 | CVB-600/150-160 | 2310 | 257 | 1,12 | 680 | 53 | 65 | 46 | -20/+40 | 7 | REB-2,5N | RMB-1,5 | E01 | 415,68 |
| 5137284500 | CVB-900/200 | 1100 | 175 | 0,75 | 840 | 48 | 57 | 41 | -20/+40 | 11 | REB-1N | RMB-1,5 | E01 | 495,44 |
| 5137285200 | CVB-1100/250 | 1720 | 392 | 1,69 | 1.290 | 52 | 60 | 47 | -20/+40 | 11 | REB-2,5N | RMB-3,5 | E01 | 527,88 |

* Aparato entubado aspiración/descarga.

** Nivel de presión sonora medido a 1,5 m en campo libre en el punto medio de la curva.

Serie CVB/CVT CENTRIBOX



Cajas de ventilación, de bajo nivel sonoro, fabricadas en chapa de acero galvanizado, aislamiento acústico [M1] de espuma de melamina, ventilador centrífugo de doble aspiración montado sobre soportes antivibratorios, rodete de álabes hacia adelante equilibrado dinámicamente y motor monofásico o trifásico, Clase F (1), según versión. Todos los ventiladores montados en las cajas CVB/CVT CENTRIBOX cumplen con los requisitos de eficiencia de la Directiva ErP.

[1] Temperatura de trabajo de -20°C a +40°C.

**Motores**

De 4 ó 6 polos, según versiones.

Tensión de alimentación

Monofásicos 230V-50Hz

Trifásicos 230/400V-50Hz

(Ver cuadro de características).

Modelos monofásicos regulables por tensión.

Modelos trifásicos regulables con convertidor de frecuencia.

Con rodamientos a bolas y protector térmico.

Otros datos

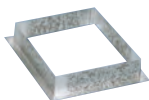
Pueden ser instaladas en exterior sin necesidad de tapa de intemperie.

Es imprescindible comprobar que las características eléctricas (voltaje, intensidad, frecuencia, etc) del motor que aparecen en la placa del mismo son compatibles con las de la instalación.

| Código | Modelo | Velocidad (r.p.m.) | Potencia motor (W) | Protección motor | Clase Aislamiento | Intensidad abs. máx. (A) | | Caudal máx. (m³/h) | Nivel presión sonora* (dB(A)) | Peso (kg) | Regulador de velocidad | | Convertidor de frecuencia 400V | | Grupo producto | Precio €/u. |
|-----------------------|-------------------------|--------------------|--------------------|------------------|-------------------|--------------------------|------|--------------------|-------------------------------|-----------|------------------------|---------|--------------------------------|--------------|----------------|-------------|
| | | | | | | 230V | 400V | | | | REB | RMB | VFKB | VFTM | | |
| MONOFÁSICOS - 6 POLOS | | | | | | | | | | | | | | | | |
| 5137205200 | CVB-180/180-N-T-72W | 900 | 72 | IP44 | F | 0,5 | - | 1.170 | 44 | 22 | REB-1 N | RMB-1,5 | - | - | E12 | 678,62 |
| 5137202300 | CVB-240/240-N-RE-200W | 900 | 200 | IP55 | F | 1,7 | - | 2.660 | 51 | 35 | REB-2,5 N | RMB-3,5 | - | - | E12 | 965,57 |
| 5137202400 | CVB-240/240-N-RE-245W | 900 | 245 | IP55 | F | 1,7 | - | 2.805 | 53 | 36 | REB-2,5 N | RMB-3,5 | - | - | E12 | 991,29 |
| 5137210300 | CVB-270/200-N-RE-245W | 900 | 245 | IP55 | F | 3 | - | 2.830 | 55 | 41 | REB-5 | RMB-3,5 | - | - | E12 | 1.041,82 |
| 5137210400 | CVB-270/200-N-RE-515W | 900 | 515 | IP55 | F | 3 | - | 3.460 | 55 | 42 | REB-5 | RMB-3,5 | - | - | E12 | 1.062,96 |
| 5137210500 | CVB-270/270-N-T-245W | 900 | 245 | IP44 | F | 3 | - | 3.690 | 52 | 43 | REB-5 | RMB-3,5 | - | - | E12 | 1.051,09 |
| 5137210600 | CVB-270/270-N-RE-515W | 900 | 515 | IP55 | F | 3,2 | - | 3.970 | 53 | 55 | REB-5 | RMB-3,5 | - | - | E12 | 1.071,37 |
| 5137210700 | CVB-320/240-N-T-736W | 900 | 736 | IP44 | F | 5,5 | - | 5.540 | 55 | 57 | REB-10 | RMB-8 | - | - | E12 | 1.295,84 |
| MONOFÁSICOS - 4 POLOS | | | | | | | | | | | | | | | | |
| 5137211900 | CVB/4-180/180-N-RE-147W | 1400 | 147 | IP44 | F | 1,2 | - | 1.660 | 53 | 23 | REB-2,5 N | RMB-1,5 | - | - | E12 | 687,14 |
| 5137211700 | CVB/4-240/240-N-T-373W | 1400 | 373 | IP44 | F | 3,9 | - | 2.930 | 57 | 38 | REB-5 | RMB-5 | - | - | E12 | 828,25 |
| 5137210900 | CVB/4-240/240-N-T-550W | 1400 | 550 | IP44 | F | 3,9 | - | 4.090 | 61 | 40 | REB-5 | RMB-5 | - | - | E12 | 919,63 |
| 5137203700 | CVB/4-270/200-N-373W | 1400 | 373 | IP20 | F | 3,6 | - | 2.650 | 55 | 44 | REB-5 | RMB-5 | - | - | E12 | 909,75 |
| 5137211000 | CVB/4-270/270-N-373W | 1400 | 373 | IP20 | F | 4,6 | - | 3.830 | 57 | 46 | REB-5 | RMB-5 | - | - | E12 | 918,31 |
| 5137204000 | CVB/4-270/270-N-550W | 1400 | 550 | IP20 | F | 4,6 | - | 3.730 | 57 | 46 | REB-5 | RMB-5 | - | - | E12 | 952,68 |
| TRIFÁSICOS - 6 POLOS | | | | | | | | | | | | | | | | |
| 5137211100 | CVT-320/240-N-T-1100W | 900 | 1100 | IP44 | F | 6,1 | 3,5 | 5.890 | 58 | 55 | - | - | VFKB-45 | VFTM TRI 1,5 | E12 | 1.144,67 |
| 5137211200 | CVT-320/320-N-T-1100W | 900 | 1100 | IP44 | F | 7 | 4 | 7.540 | 62 | 58 | - | - | VFKB-45 | VFTM TRI 1,5 | E12 | 1.156,59 |
| 5148558900 | CVT-380/380-N-T-2200W | 900 | 2200 | IP55 | F | 8,9 | 5,1 | 8.060 | 63 | 70 | - | - | VFKB-48 | VFTM TRI 2,2 | E12 | 2.185,35 |

* Nivel de presión sonora en aspiración, medido a 1,5 m en campo libre, en un punto medio de la curva de velocidad máxima.

ACCESORIOS DE MONTAJE ESPECÍFICOS



CBR
Bridas rectangulares.

| Código | Modelo CBR | Modelo caja | Dim. CBR (mm) | Grupo producto | Precio €/u. |
|------------|-------------|-------------|---------------|----------------|--------------|
| 5137720800 | CBR-180/180 | CVB-180/180 | 233 x 222 | E01 | 34,83 |
| 5137721600 | CBR-240/240 | CVB-240/240 | 300 x 260 | E01 | 40,94 |
| 5137725700 | CBR-270/200 | CVB-270/200 | 265 x 289 | E01 | 47,39 |
| 5137722400 | CBR-270/270 | CVB-270/270 | 334 x 289 | E01 | 47,39 |
| 5137726500 | CBR-320/240 | CVB-320/240 | 309 x 341 | E01 | 55,42 |
| 5137723200 | CBR-320/320 | CVB-320/320 | 395 x 341 | E01 | 55,42 |



CAC-N
Adaptaciones circulares.

| Código | Modelo CAC-N | Modelo caja | Ø nominal CAC-N (mm) | Grupo producto | Precio €/u. |
|------------|--------------|-------------|----------------------|----------------|--------------|
| 5137704200 | CAC-250 N | CVB-180 | 250 | E01 | 69,17 |
| 5137705900 | CAC-355 N | CVB-240 | 355 | E01 | 75,43 |
| 5137706700 | CAC-400 N | CVB-270 | 400 | E01 | 84,24 |
| 5137707500 | CAC-500 N | CVB/T-320 | 500 | E01 | 88,14 |



KAD
Acoplamiento elásticos rectangulares de aspiración.

| Código | Modelo KAD | Modelo caja | Grupo producto | Precio €/u. |
|------------|-------------|-------------|----------------|--------------|
| 5137748900 | KAD-325X325 | CVB-180 | E01 | 71,34 |
| 5137742200 | KAD-400X400 | CVB-240 | E01 | 89,00 |
| 5137743000 | KAD-450X450 | CVB-270 | E01 | 98,51 |
| 5137749700 | KAD-500X500 | CVB/T-320 | E01 | 95,74 |

Acoplamiento Elásticos Circulares ACOPEL F400

(Ver modelos y precios en Accesorios Generales)

Serie CVAB-N / CVAT-N



Cajas de ventilación estancas, autolimpiantes, de bajo nivel sonoro, fabricadas con perfiles de aluminio y paneles tipo sandwich, con aislamiento acústico ininflamable (M0), de fibra de vidrio de 25 mm de espesor, rodete centrífugo de álabes hacia atrás, equilibrado dinámicamente, de chapa de aluminio (CVAB-N) o de acero (CVAT-N), bridas circulares en aspiración y descarga, motor IP55, Clase F y protector térmico incorporado.

Motores

CVAB-N
Regulables por variación de tensión
Tensión de alimentación
Monofásicos 230V-50Hz
Temperatura de trabajo de -40°C a +60°C.

CVAT-N

De 4 y 6 polos.
Regulables por convertidor de frecuencia.
Tensión de alimentación
Trifásicos 230/400V-50Hz hasta 3kW y 400V-50Hz para mayor potencia del motor.
IP55, Clase F.
Protector térmico (PTC).

Versiones ATEX

Bajo pedido, versiones antiexplosivas según la Directiva ATEX para modelos trifásicos:

Para trabajar a temperaturas de -20°C a +40°C.
- Antideflagrantes - Gas

⊕ II 2G Exd IIB T4

⊕ II 2G Exd IIB+H2 T4 (con motor Exd IIC T4)

En versión ATEX estándar, los motores antideflagrantes se entregan sin protección térmica.

Para utilizar con convertidor de frecuencia pedir motores antideflagrantes con protector térmico tipo PTC.

- Seguridad aumentada - Gas (no debe utilizarse con convertidor de frecuencia).

⊕ II 2G Exe IIC T3

Para seleccionar CVAT-N ATEX utilizar las curvas de rendimiento o Easyvent.

Nota: los datos eléctricos pueden variar para motores ATEX.

**Aplicaciones específicas**

Versiones

Es imprescindible comprobar que las características eléctricas (voltaje, intensidad, frecuencia, etc) del motor que aparecen en la placa del mismo son compatibles con las de la instalación.

| Código | Modelo | Velocidad (r.p.m.) | Potencia absorbida máxima (W) | Intensidad máxima absorbida (A) | | Caudal máximo (m³/h) | Nivel de presión sonora (dB(A))* | | | Peso (kg) | Regulador de velocidad | | Grupo producto | Precio €/u. |
|---------------------|--------------------|--------------------|-------------------------------|---------------------------------|------|----------------------|----------------------------------|---------|----------|-----------|------------------------|---------|----------------|-------------|
| | | | | 230V | 400V | | Aspiración | Radiado | Descarga | | REB | RMB | | |
| MONOFÁSICOS 4 POLOS | | | | | | | | | | | | | | |
| 5137825400 | CVAB/4-1400/250N D | 1300 | 107 | 0,5 | - | 1.280 | 49 | 44 | 50 | 13 | REB-1 | RMB-1,5 | E01 | 1.315,32 |
| 5137825500 | CVAB/4-2000/315N D | 1390 | 169 | 0,7 | - | 1.820 | 53 | 47 | 54 | 13 | REB-1 | RMB-1,5 | E01 | 1.475,94 |
| 5137825600 | CVAB/4-3000/355N D | 1370 | 312 | 1,3 | - | 2.800 | 58 | 51 | 58 | 30 | REB-2,5 | RMB-1,5 | E01 | 1.641,25 |
| 5137825700 | CVAB/4-4000/400N D | 1395 | 557 | 2,3 | - | 4.210 | 62 | 54 | 60 | 32 | REB-2,5 | RMB-3,5 | E01 | 2.062,41 |
| 5137823500 | CVAB/4-6000/450N D | 1380 | 930 | 4,0 | - | 6.140 | 64 | 57 | 63 | 46 | REB-5 | RMB-5 | E01 | 2.256,90 |
| 5137825800 | CVAB/4-9000/500N D | 1390 | 1289 | 5,5 | - | 7.580 | 68 | 61 | 66 | 58 | REB-10 | RMB-8 | E01 | 2.627,97 |

| Código | Modelo | Velocidad (r.p.m.) | Potencia absorbida máxima (W) | Intensidad máxima absorbida (A) | | Caudal máximo (m³/h) | Nivel de presión sonora (dB(A))* | | | Peso (kg) | Grupo producto | Precio €/u. |
|--------------------|---------------------|--------------------|-------------------------------|---------------------------------|------|----------------------|----------------------------------|---------|----------|-----------|----------------|-------------|
| | | | | 230V | 400V | | Aspiración | Radiado | Descarga | | | |
| TRIFÁSICOS 4 POLOS | | | | | | | | | | | | |
| 5137823700 | CVAT/4-1400/250N D | 1480 | 116 | 0,9 | 0,5 | 1.230 | 50 | 37 | 48 | 13 | E01 | 1.316,27 |
| 5137823800 | CVAT/4-2000/315N D | 1460 | 169 | 0,9 | 0,5 | 1.830 | 54 | 41 | 53 | 13 | E01 | 1.475,94 |
| 5137823900 | CVAT/4-3000/355N D | 1430 | 251 | 0,9 | 0,5 | 2.660 | 56 | 43 | 56 | 30 | E01 | 1.641,25 |
| 5137824000 | CVAT/4-4000/400N D | 1445 | 438 | 1,6 | 0,9 | 3.850 | 60 | 47 | 60 | 32 | E01 | 2.062,41 |
| 5137824100 | CVAT/4-6000/450N D | 1465 | 747 | 3,0 | 1,7 | 5.620 | 63 | 50 | 64 | 46 | E01 | 2.256,90 |
| 5137824200 | CVAT/4-9000/500N D | 1480 | 1347 | 4,4 | 2,5 | 7.900 | 67 | 53 | 68 | 58 | E01 | 2.627,97 |
| 5137824300 | CVAT/4-12000/560N D | 1470 | 2093 | 7,3 | 4,2 | 11.100 | 69 | 56 | 71 | 82 | E01 | 3.295,31 |
| 5137824400 | CVAT/4-16000/630N D | 1460 | 3234 | 10,3 | 5,9 | 14.640 | 72 | 60 | 75 | 113 | E01 | 3.984,84 |
| 5148670000 | CVAT/4-20000/710N D | 1480 | 5278 | - | 9,4 | 19.340 | 75 | 60 | 79 | 208 | E01 | 5.477,39 |

| | | | | | | | | | | | | |
|--------------------|---------------------|-----|------|------|-----|--------|----|----|----|-----|-----|----------|
| TRIFÁSICOS 6 POLOS | | | | | | | | | | | | |
| 5137824500 | CVAT/6-15000/710N D | 970 | 1828 | 6,3 | 3,6 | 14.320 | 72 | 60 | 74 | 149 | E01 | 4.302,95 |
| 5148670100 | CVAT/6-19000/800N D | 980 | 3169 | 11,8 | 6,8 | 18.760 | 63 | 49 | 67 | 222 | E01 | 6.127,39 |

* Nivel de presión sonora, medido en campo libre, a 1,5 metros de distancia, en un punto intermedio de la curva de funcionamiento.

| Modelo | VFTM | | VFKB | |
|---------------------|----------------|---------------|-------------|------------|
| | Monofásicos | Trifásicos | Monofásicos | Trifásicos |
| CVAT/4-1400/250N D | VFTM MONO 0,18 | VFTM TRI 0,37 | VFKB-24 | VFKB-45 |
| CVAT/4-2000/315N D | VFTM MONO 0,18 | VFTM TRI 0,37 | VFKB-24 | VFKB-45 |
| CVAT/4-3000/355N D | VFTM MONO 0,18 | VFTM TRI 0,37 | VFKB-24 | VFKB-45 |
| CVAT/4-4000/400N D | VFTM MONO 0,37 | VFTM TRI 0,37 | VFKB-24 | VFKB-45 |
| CVAT/4-6000/450N D | VFTM MONO 0,37 | VFTM TRI 0,75 | VFKB-24 | VFKB-45 |
| CVAT/4-9000/500N D | VFTM MONO 0,75 | VFTM TRI 1,1 | VFKB-24 | VFKB-45 |
| CVAT/4-12000/560N D | VFTM MONO 1,5 | VFTM TRI 2,2 | - | VFKB-48 |
| CVAT/4-16000/630N D | VFTM MONO 2,2 | VFTM TRI 3 | - | VFKB-48 |
| CVAT/6-15000/710N D | VFTM MONO 1,1 | VFTM TRI 1,5 | VFKB-27 | VFKB-48 |
| CVAT/4-20000/710N D | - | VFTM TRI 5,5 | - | - |
| CVAT/6-15000/710N D | - | VFTM TRI 3 | - | VFKB-48 |

ACCESORIOS DE MONTAJE ESPECÍFICOS**CTI CVA-N**

(Ver códigos y precios en la Serie CHAT-N)

Serie CVAB/T-N ECOWATT



Cajas de ventilación estancas, autolimpiantes, de bajo nivel sonoro, fabricadas con perfiles de aluminio y paneles tipo sandwich, con aislamiento acústico ininflamable (M0), de fibra de vidrio de 25 mm de espesor, rodete centrífugo de álabes hacia atrás, equilibrado dinámicamente.

Motor brushless EC de corriente continua, de alto rendimiento, bajo consumo, rodamientos a bolas, protector térmico incorporado y capacitados para trabajar a temperaturas de -20°C a +40°C:

- Versión monofásica 230V±10% 50/60Hz, IP44.

- Versión trifásica 400V±10% 50/60Hz, IP54.

Velocidad regulable 100% mediante potenciómetro ubicado en la caja de bornes o mediante control externo tipo REB-ECOWATT. Entrada analógica para controlar el ventilador con una señal externa 0-10V.



Es imprescindible comprobar que las características eléctricas (voltaje, intensidad, frecuencia, etc) del motor que aparecen en la placa del mismo son compatibles con las de la instalación.

MONOFÁSICO 230V±10% 50/60Hz

| Código | Modelo | Tensión de control | Velocidad (r.p.m.) | Potencia absorbida máxima (W) | Intensidad absorbida máxima (A) | Caudal máximo (m³/h) | Nivel de presión sonora (dB(A)) a 1,5 m* | | | Peso (kg) | Grupo producto | Precio €/u. |
|------------|-------------------------|--------------------|--------------------|-------------------------------|---------------------------------|----------------------|--|------------|---------|-----------|----------------|-------------|
| | | | | | | | Descarga | Aspiración | Radiado | | | |
| 5137829600 | CVAB-1400/250 N ECOWATT | 10 | 2650 | 200 | 1,3 | 1.318 | 59 | 63 | 47 | 25 | E01 | 1.468,57 |
| | | 8 | 2273 | 129 | 0,9 | 1.126 | 56 | 60 | 44 | | | |
| | | 6 | 1787 | 67 | 0,5 | 866 | 51 | 55 | 39 | | | |
| | | 4 | 1270 | 29 | 0,3 | 638 | 43 | 47 | 31 | | | |
| 5137829700 | CVAB-2000/315 N ECOWATT | 10 | 1899 | 210 | 0,9 | 2.103 | 56 | 61 | 49 | 26 | E01 | 1.647,89 |
| | | 8 | 1671 | 148 | 0,7 | 1.861 | 53 | 58 | 46 | | | |
| | | 6 | 1336 | 81 | 0,4 | 1.471 | 48 | 53 | 41 | | | |
| | | 4 | 1019 | 42 | 0,3 | 1.096 | 42 | 47 | 35 | | | |
| 5137829800 | CVAB-3000/355 N ECOWATT | 10 | 1799 | 347 | 1,4 | 3.049 | 61 | 65 | 50 | 41 | E01 | 1.832,43 |
| | | 8 | 1592 | 251 | 1,1 | 2.728 | 58 | 62 | 47 | | | |
| | | 6 | 1277 | 131 | 0,6 | 2.212 | 53 | 57 | 42 | | | |
| | | 4 | 973 | 64 | 0,3 | 1.679 | 47 | 51 | 37 | | | |
| 5137829900 | CVAB-4000/400 N ECOWATT | 10 | 1644 | 497 | 2,1 | 4.116 | 61 | 63 | 52 | 42 | E01 | 2.302,70 |
| | | 8 | 1516 | 394 | 1,6 | 3.645 | 59 | 61 | 50 | | | |
| | | 6 | 1233 | 216 | 0,9 | 2.964 | 54 | 56 | 46 | | | |
| | | 4 | 944 | 102 | 0,5 | 2.301 | 48 | 51 | 40 | | | |
| 5137830000 | CVAB-6000/450 N ECOWATT | 10 | 1459 | 1021 | 4,2 | 6.391 | 64 | 65 | 55 | 49 | E01 | 2.531,92 |
| | | 8 | 1285 | 711 | 2,9 | 5.061 | 62 | 63 | 51 | | | |
| | | 6 | 1060 | 407 | 1,7 | 4.594 | 58 | 58 | 48 | | | |
| | | 4 | 833 | 208 | 0,9 | 3.595 | 53 | 53 | 42 | | | |

* Punto medio de la curva.

TRIFÁSICO 400V±10% 50/60Hz

| Código | Modelo | Tensión de control | Velocidad (r.p.m.) | Potencia absorbida máxima (W) | Intensidad absorbida máxima (A) | Caudal máximo (m³/h) | Nivel de presión sonora (dB(A)) a 1,5 m* | | | Peso (kg) | Grupo producto | Precio €/u. |
|------------|--------------------------|--------------------|--------------------|-------------------------------|---------------------------------|----------------------|--|------------|---------|-----------|----------------|-------------|
| | | | | | | | Descarga | Aspiración | Radiado | | | |
| 5137835100 | CVAT-9000/500 N ECOWATT | 10 | 1370 | 1235 | 2,1 | 7.620 | 63 | 63 | 51 | 61 | E01 | 2.937,04 |
| | | 8 | 1220 | 878 | 1,5 | 6.700 | 61 | 61 | 48 | | | |
| | | 6 | 1010 | 508 | 0,9 | 5.510 | 57 | 56 | 44 | | | |
| | | 4 | 800 | 274 | 0,6 | 4.440 | 52 | 52 | 39 | | | |
| 5137835200 | CVAT-12000/560 N ECOWATT | 10 | 1380 | 2653 | 3,9 | 11.830 | 68 | 69 | 53 | 85 | E01 | 3.671,29 |
| | | 8 | 1150 | 1555 | 2,4 | 9.710 | 64 | 65 | 49 | | | |
| | | 6 | 920 | 809 | 1,4 | 7.690 | 59 | 60 | 44 | | | |
| | | 4 | 680 | 361 | 0,7 | 5.740 | 53 | 54 | 37 | | | |

* Punto medio de la curva.

ACCESORIOS DE MONTAJE ESPECÍFICOS



CTI CVA-N

(Ver códigos y precios en la Serie CHAT-N)

Serie KABB/KABT



Cajas de ventilación autolimpiantes, fabricadas en chapa de acero galvanizado, paneles de doble pared, tipo sandwich, con aislamiento acústico ininflamable (M0) de fibra de vidrio de 17 mm, rodete centrífugo de aluminio, de álabes hacia atrás, equilibrado dinámicamente, motor trifásico IP55, Clase F, situado fuera del flujo de aire, con caja de bornes remota y protector térmico incorporado.

Motores

Modelos KABB: Monofásicos 230V-50Hz, de 4 polos, IP55, Clase F, con protector térmico, regulables por variación de tensión.

Temperaturas de trabajo de los modelos monofásicos:

- KABB/4-3000/315: de -20°C a +70°C
- KABB/4-4000/355: de -20°C a +50°C

Modelos KABT/4-3000/315 a KABT/4-9000/500: Trifásicos 230/400V-50Hz, de 4 polos, IP55, Clase F, con protector térmico, regulables por convertidor de frecuencia.

Modelo KABT/4-12000/560:

Trifásico 400V-50Hz, de 4 polos, IP55, Clase F, con protector térmico, regulable por convertidor de frecuencia.

Temperatura de trabajo de todos los modelos trifásicos: de -20°C a +100°C.

Otros datos

Capacitadas para trasegar aire a 100°C en continuo.

Aplicaciones específicas



Continuo

Es imprescindible comprobar que las características eléctricas (voltaje, intensidad, frecuencia, etc) del motor que aparecen en la placa del mismo son compatibles con las de la instalación.

| Código | Modelo | Velocidad (r.p.m.) | Potencia abs. máx. (W) | Intensidad abs. máx. (A) | Caudal máx. (m³/h) | Nivel de presión sonora* (dB(A)) | | | Peso (kg) | Regulador de tensión opcional | Grupo producto | Precio €/u. |
|------------|-----------------|--------------------|------------------------|--------------------------|--------------------|----------------------------------|---------|----------|-----------|-------------------------------|----------------|-------------|
| | | | | | | Aspiración | Radiado | Descarga | | | | |
| 5148518300 | KABB/4-3000/315 | 1370 | 305 | 1,6 | 2.460 | 59 | 53 | 60 | 33 | RMB-3,5 | E01 | 2.493,14 |
| 5148518400 | KABB/4-4000/355 | 1385 | 487 | 2,0 | 3.790 | 62 | 54 | 64 | 40 | RMB-3,5 | E01 | 2.806,61 |

* Nivel de presión sonora, medido a 1,5 m, en campo libre, en el punto medio de la curva característica.

| Código | Modelo | Velocidad (r.p.m.) | Potencia abs. máx. (W) | Intensidad abs. máx. (A) | | Caudal máx. (m³/h) | Nivel de presión sonora* (dB(A) a 1,5 m) | | | Peso (kg) | Convertidor de frecuencia opcional Alimentación | | Grupo producto | Precio €/u. |
|------------|------------------|--------------------|------------------------|--------------------------|------|--------------------|--|---------|----------|-----------|---|---------------|----------------|-------------|
| | | | | 230V | 400V | | Aspiración | Radiado | Descarga | | 1/230V/50Hz** | 3/400V/50Hz | | |
| | | | | | | | | | | | | | | |
| 5148518700 | KABT/4-3000/315 | 1430 | 327 | 1,2 | 0,7 | 2.750 | 60 | 54 | 61 | 33 | VFTM MONO 0,18 | VFTM TRI 0,37 | E01 | 1.930,01 |
| 5148518800 | KABT/4-4000/355 | 1450 | 561 | 2,1 | 1,2 | 4.000 | 63 | 55 | 65 | 40 | VFTM MONO 0,37 | VFTM TRI 0,37 | E01 | 2.263,05 |
| 5148518900 | KABT/4-6000/450 | 1495 | 1221 | 5,4 | 3,1 | 6.350 | 67 | 55 | 71 | 58 | VFTM MONO 1,1 | VFTM TRI 1,5 | E01 | 2.661,46 |
| 5148519000 | KABT/4-9000/500 | 1430 | 2022 | 6,4 | 3,7 | 8.840 | 76 | 62 | 77 | 75 | VFTM MONO 1,5 | VFTM TRI 1,5 | E01 | 2.711,36 |
| 5148518600 | KABT/4-12000/560 | 1460 | 2673 | - | 5 | 11.400 | 71 | 59 | 75 | 120 | - | VFTM TRI 2,2 | E01 | 2.876,08 |

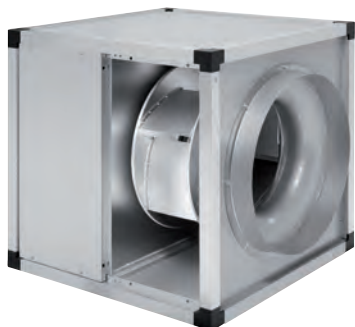
* Nivel de presión sonora, medido a 1,5 m, en campo libre, en el punto medio de la curva característica.

** Únicamente con motor 230/400V.

ACCESORIOS DE MONTAJE SERIES KABB/KABT Y KABB/KABT ECOWATT

| | Código | Modelo | Grupo producto | Precio €/u. | | Código | Modelo | Grupo producto | Precio €/u. |
|-------------------|-----------------------------------|------------------|----------------|-------------|-------------------------|--|-----------------------|----------------|-------------|
| <p>USD-N</p> | USD-N Bridas de descarga circular | | | | <p>WDS KABT</p> | WDS KABT Tapas de intemperie con brida rectangular | | | |
| | 5416832300 | USD-3000 N | E01 | 293,08 | | 5800050100 | WDS-3000 NV | E01 | 560,16 |
| | 5416832400 | USD-4000 N | E01 | 319,77 | | 5800050200 | WDS-4000 NV | E01 | 604,39 |
| | 5416832500 | USD-6000 N | E01 | 346,42 | | 5800050300 | WDS-6000 NV | E01 | 688,38 |
| | 5416832600 | USD-9000 N | E01 | 412,23 | | 5800050400 | WDS-9000 NV | E01 | 750,11 |
| | 5416832700 | USD-12000 N | E01 | 425,58 | 5800050500 | WDS-12000 NV | E01 | 851,09 | |
| <p>USD-N</p> | ASV KABT Viseras de protección | | | | <p>ACOP RECT KABT-N</p> | ACOP RECT-N Acoplamientos elasticos rectangulares | | | |
| | 5137002700 | ASV-3000 NV | E01 | 378,36 | | 5402075400 | ACOP RECT KABT-3000 N | E01 | 106,13 |
| | 5137002800 | ASV-4000 NV | E01 | 397,98 | | 5402075500 | ACOP RECT KABT-4000 N | E01 | 109,54 |
| | 5137002900 | ASV-6000 NV | E01 | 461,88 | | 5402075600 | ACOP RECT KABT-6000 N | E01 | 121,14 |
| | 5137003000 | ASV-9000 NV | E01 | 481,52 | | 5402075700 | ACOP RECT KABT-9000 N | E01 | 128,25 |
| | 5137003100 | ASV-12000 NV | E01 | 678,07 | 5402075800 | ACOP RECT KABT-12000 N | E01 | 132,82 | |
| <p>CTI KABT-N</p> | CTI KABT-N Tapas de intemperie | | | | | | | | |
| | 5402075900 | CTI KABT-3000 N | E01 | 41,93 | | | | | |
| | 5402076000 | CTI KABT-4000 N | E01 | 48,72 | | | | | |
| | 5402076100 | CTI KABT-6000 N | E01 | 58,35 | | | | | |
| | 5402076200 | CTI KABT-9000 N | E01 | 68,72 | | | | | |
| | 5402076300 | CTI KABT-12000 N | E01 | 80,53 | | | | | |

Serie KABB/KABT ECOWATT



Cajas de ventilación autolimpiantes, fabricadas en chapa de acero galvanizado, paneles de doble pared, tipo sandwich, con aislamiento acústico ininflamable (M0) de fibra de vidrio de 17 mm, rodete centrifugo de aluminio, de álabes hacia atrás, equilibrado dinámicamente, motor brushless de corriente continua, situado fuera del flujo de aire, con caja de bornes remota e interruptor paro/marcha incorporado.

Motores

Motor brushless de corriente continua, de alto rendimiento y bajo consumo.

Modelos KABB:

Monofásicos 230V±10% 50/60Hz, IP55, Clase F, con protector térmico, regulables mediante potenciómetro incorporado en la caja de bornes remota o entrada analógica para controlar el ventilador con una señal de 0-10V.

Modelos aptos para un rango de temperatura ambiental de trabajo -20°C a +50°C.

Modelos KABT:

Trifásicos 400V±10% 50/60Hz, IP55, Clase F, con protector térmico, regulables mediante potenciómetro incorporado en la caja de bornes remota o entrada analógica para controlar el ventilador con una señal de 0-10V.

Modelos aptos para un rango de temperatura ambiental de trabajo -20°C a +40°C.

Otros datos

Capacitadas para trasegar aire a 100°C en continuo.

Aplicaciones específicas

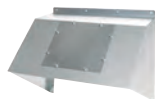
Continuo

Es imprescindible comprobar que las características eléctricas (voltaje, intensidad, frecuencia, etc) del motor que aparecen en la placa del mismo son compatibles con las de la instalación.

| Código | Modelo | Tensión de control | Velocidad (r.p.m.) | Potencia absorbida máxima (W) | Intensidad absorbida máxima (A) | Caudal máximo (m³/h) | Nivel de presión sonora* (dB(A) a 1,5 m) | | | Peso (kg) | Grupo producto | Precio €/u. |
|------------|------------------------|--------------------|--------------------|-------------------------------|---------------------------------|----------------------|--|------------|---------|-----------|----------------|-------------|
| | | | | | | | Descarga | Aspiración | Radiado | | | |
| 5148005000 | KABB-3000/315 ECOWATT | 10 | 1810 | 512 | 3,1 | 3.180 | 64 | 65 | 53 | 35 | E01 | 2.742,47 |
| | | 8 | 1420 | 252 | 1,6 | 2.480 | 59 | 60 | 47 | | | |
| | | 6 | 1010 | 100 | 0,7 | 1.760 | 51 | 53 | 40 | | | |
| | | 4 | 620 | 31 | 0,3 | 1.070 | 41 | 42 | 29 | | | |
| 5148005200 | KABB-4000/355 ECOWATT | 10 | 1820 | 865 | 4,9 | 4.740 | 67 | 67 | 52 | 44 | E01 | 3.087,25 |
| | | 8 | 1420 | 422 | 2,6 | 3.700 | 61 | 62 | 46 | | | |
| | | 6 | 1030 | 167 | 1,1 | 2.670 | 54 | 55 | 39 | | | |
| | | 4 | 620 | 47 | 0,4 | 1.600 | 43 | 44 | 28 | | | |
| 5148005300 | KABB-6000/450 ECOWATT | 10 | 1510 | 1062 | 6,0 | 6.350 | 67 | 68 | 52 | 59 | E01 | 3.434,43 |
| | | 8 | 1190 | 527 | 3,1 | 5.010 | 62 | 63 | 47 | | | |
| | | 6 | 860 | 213 | 1,4 | 3.550 | 55 | 56 | 40 | | | |
| | | 4 | 540 | 67 | 0,5 | 2.220 | 45 | 45 | 30 | | | |
| 5148005400 | KABT-9000/500 ECOWATT | 10 | 1440 | 1973 | 3,0 | 8.650 | 69 | 72 | 58 | 69 | E01 | 3.660,32 |
| | | 8 | 1280 | 1362 | 2,1 | 7.700 | 67 | 69 | 55 | | | |
| | | 6 | 1060 | 775 | 1,4 | 6.300 | 63 | 65 | 51 | | | |
| | | 4 | 840 | 391 | 0,9 | 4.950 | 57 | 60 | 46 | | | |
| 5148005500 | KABT-12000/560 ECOWATT | 10 | 1450 | 2496 | 3,8 | 11.360 | 74 | 76 | 67 | 98 | E01 | 3.882,71 |
| | | 8 | 1270 | 1692 | 2,6 | 10.080 | 72 | 73 | 64 | | | |
| | | 6 | 1070 | 971 | 1,6 | 8.390 | 68 | 69 | 60 | | | |
| | | 4 | 830 | 467 | 0,9 | 6.410 | 62 | 63 | 55 | | | |

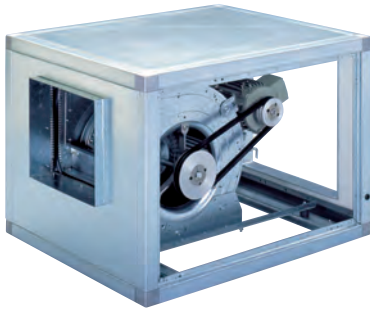
* Punto medio de la curva.

ACCESORIOS DE MONTAJE ESPECÍFICOS



| Código | Modelo | Grupo producto | Precio €/u. |
|---------------------------------------|------------------|----------------|-------------|
| CVM KABB/T Tapa intemperie lado motor | | | |
| 5800054900 | CVM KABB/T-3000 | E01 | 128,08 |
| 5800055000 | CVM KABB/T-4000 | E01 | 133,29 |
| 5800055100 | CVM KABB/T-6000 | E01 | 152,04 |
| 5800055200 | CVM KABB/T-9000 | E01 | 169,56 |
| 5800054800 | CVM KABB/T-12000 | E01 | 193,57 |

Serie CVTT



Cajas de ventilación fabricadas en chapa de acero galvanizado, aislamiento acústico de espuma de melamina (M1), ventilador centrífugo de álabes hacia adelante montado sobre soportes antivibratorios y junta flexible en la descarga, accionado por motor a transmisión, trifásico, IP55, Clase F.

Motores

Pueden equipar motores de 0,37 a 15 kW.
Montados sobre voluta, hasta 2,2 kW.
El resto, sobre bancada.
Tensión de alimentación
Trifásicos 230/400V-50Hz, hasta 3 kW
400V-50Hz, para potencias superiores
(Ver cuadro de características)
Motores monofásicos, hasta 2,2 kW (modelos CVTB), bajo demanda.
De 2 velocidades (4/8 polos), bajo demanda.
Modelos trifásicos, regulables por variación de frecuencia.

Otros datos

Modelos de descarga horizontal (versiones H) y modelos de descarga vertical (versiones V).
Suministro estándar con transmisión a la derecha visto desde la boca de impulsión.
Transmisión a la izquierda (versión TI), bajo demanda.
Modelos de descarga vertical y/o con brida de aspiración circular, bajo demanda.

Bajo demanda, modelos con paneles de doble pared, tipo sandwich, con aislamiento acústico ininflamable (M0) de fibra de vidrio de 17 mm de espesor.

CVTT versiones ATEX

Bajo pedido, versiones antiexplosivas según la Directiva ATEX para modelos trifásicos hasta 11 kW:

- ATEX Antideflagrantes - Gas

⊕ II 2G Ex d IIB T4

⊕ II 2G Ex d IIB+H2 T4 (con motor Ex d IIC T4)

En versión ATEX estándar, los motores antideflagrantes se entregan sin protección térmica.

Para utilizar con convertidor de frecuencia pedir motores antideflagrantes con protector térmico tipo PTC.

- ATEX Seguridad aumentada - Gas

⊕ II 2G Ex e II T3

Para seleccionar modelos CVTT ATEX, ver las curvas características, o bien el programa de selección de producto EASYVENT.

Los datos eléctricos de los modelos ATEX pueden variar respecto a los datos indicados en las tablas características.

Las versiones CVTT ATEX se suministran sin aislamiento acústico de espuma de melamina. Consulte la disponibilidad de otras versiones de motores ATEX.

Aplicaciones específicas

Versiones

Es imprescindible comprobar que las características eléctricas (voltaje, intensidad, frecuencia, etc) del motor que aparecen en la placa del mismo son compatibles con las de la instalación.

| Código Descarga Horizontal | Modelos Descarga Horizontal | Código Descarga Vertical | Modelos Descarga Vertical | Potencia útil motor (kW) | Grupo producto | Precio €/u. |
|----------------------------|-----------------------------|--------------------------|---------------------------|--------------------------|----------------|-------------|
| G200909001U | CVTT-H-9/9-0,18 | G210909001U | CVTT-V-9/9-0,18 | 0,18 | E13 | 1.266,83 |
| G200909002U | CVTT-H-9/9-0,25 | G210909002U | CVTT-V-9/9-0,25 | 0,25 | E13 | 1.288,71 |
| G200909003U | CVTT-H-9/9-0,37 | G210909003U | CVTT-V-9/9-0,37 | 0,37 | E13 | 1.321,80 |
| G200909005U | CVTT-H-9/9-0,55 | G210909005U | CVTT-V-9/9-0,55 | 0,55 | E13 | 1.380,71 |
| G200909007U | CVTT-H-9/9-0,75 | G210909007U | CVTT-V-9/9-0,75 | 0,75 | E13 | 1.415,53 |
| G200909011U | CVTT-H-9/9-1,1 | G210909011U | CVTT-V-9/9-1,1 | 1,1 | E13 | 1.505,29 |
| G201010003U | CVTT-H-10/10-0,37 | G211010003U | CVTT-V-10/10-0,37 | 0,37 | E13 | 1.422,22 |
| G201010005U | CVTT-H-10/10-0,55 | G211010005U | CVTT-V-10/10-0,55 | 0,55 | E13 | 1.479,02 |
| G201010007U | CVTT-H-10/10-0,75 | G211010007U | CVTT-V-10/10-0,75 | 0,75 | E13 | 1.507,31 |
| G201010011U | CVTT-H-10/10-1,1 | G211010011U | CVTT-V-10/10-1,1 | 1,1 | E13 | 1.596,85 |
| G201010015U | CVTT-H-10/10-1,5 | G211010015U | CVTT-V-10/10-1,5 | 1,5 | E13 | 1.712,77 |
| G201212003U | CVTT-H-12/12-0,37 | G211212003U | CVTT-V-12/12-0,37 | 0,37 | E13 | 1.590,50 |
| G201212005U | CVTT-H-12/12-0,55 | G211212005U | CVTT-V-12/12-0,55 | 0,55 | E13 | 1.634,12 |
| G201212007U | CVTT-H-12/12-0,75 | G211212007U | CVTT-V-12/12-0,75 | 0,75 | E13 | 1.651,55 |
| G201212011U | CVTT-H-12/12-1,1 | G211212011U | CVTT-V-12/12-1,1 | 1,1 | E13 | 1.756,38 |
| G201212015U | CVTT-H-12/12-1,5 | G211212015U | CVTT-V-12/12-1,5 | 1,5 | E13 | 1.913,82 |
| G201212022U | CVTT-H-12/12-2,2 | G211212022U | CVTT-V-12/12-2,2 | 2,2 | E13 | 2.022,89 |
| G201212030U | CVTT-H-12/12-3 | G211212030U | CVTT-V-12/12-3 | 3 | E13 | 2.285,87 |
| G201515007U | CVTT-H-15/15-0,75 | G211515007U | CVTT-V-15/15-0,75 | 0,75 | E13 | 1.904,78 |
| G201515011U | CVTT-H-15/15-1,1 | G211515011U | CVTT-V-15/15-1,1 | 1,1 | E13 | 1.992,20 |
| G201515015U | CVTT-H-15/15-1,5 | G211515015U | CVTT-V-15/15-1,5 | 1,5 | E13 | 2.092,78 |
| G201515022U | CVTT-H-15/15-2,2 | G211515022U | CVTT-V-15/15-2,2 | 2,2 | E13 | 2.250,02 |
| G201515030U | CVTT-H-15/15-3 | G211515030U | CVTT-V-15/15-3 | 3 | E13 | 2.544,89 |
| G201515040U | CVTT-H-15/15-4 | G211515040U | CVTT-V-15/15-4 | 4 | E13 | 2.806,90 |
| G201818011U | CVTT-H-18/18-1,1 | G211818011U | CVTT-V-18/18-1,1 | 1,1 | E13 | 2.300,35 |
| G201818015U | CVTT-H-18/18-1,5 | G211818015U | CVTT-V-18/18-1,5 | 1,5 | E13 | 2.422,50 |
| G201818022U | CVTT-H-18/18-2,2 | G211818022U | CVTT-V-18/18-2,2 | 2,2 | E13 | 2.553,60 |
| G201818030U | CVTT-H-18/18-3 | G211818030U | CVTT-V-18/18-3 | 3 | E13 | 2.881,25 |
| G201818040U | CVTT-H-18/18-4 | G211818040U | CVTT-V-18/18-4 | 4 | E13 | 3.143,31 |
| G201818055U | CVTT-H-18/18-5,5 | G211818055U | CVTT-V-18/18-5,5 | 5,5 | E13 | 3.696,01 |
| G201818075U | CVTT-H-18/18-7,5 | G211818075U | CVTT-V-18/18-7,5 | 7,5 | E13 | 4.061,54 |

| Código Descarga Horizontal | Modelos Descarga Horizontal | Código Descarga Vertical | Modelos Descarga Vertical | Potencia útil motor (kW) | Grupo producto | Precio €/u. |
|----------------------------|-----------------------------|--------------------------|---------------------------|--------------------------|----------------|-----------------|
| G202020015U | CVTT-H-20/20-1,5 | G212020015U | CVTT-V-20/20-1,5 | 1,5 | E13 | 4.386,99 |
| G202020022U | CVTT-H-20/20-2,2 | G212020022U | CVTT-V-20/20-2,2 | 2,2 | E13 | 4.508,57 |
| G202020030U | CVTT-H-20/20-3 | G212020030U | CVTT-V-20/20-3 | 3 | E13 | 4.657,06 |
| G202020040U | CVTT-H-20/20-4 | G212020040U | CVTT-V-20/20-4 | 4 | E13 | 4.809,88 |
| G202020055U | CVTT-H-20/20-5,5 | G212020055U | CVTT-V-20/20-5,5 | 5,5 | E13 | 5.362,79 |
| G202020075U | CVTT-H-20/20-7,5 | G212020075U | CVTT-V-20/20-7,5 | 7,5 | E13 | 5.752,27 |
| | | | | | | |
| G202222022U | CVTT-H-22/22-2,2 | G212222022U | CVTT-V-22/22-2,2 | 2,2 | E13 | 4.897,49 |
| G202222030U | CVTT-H-22/22-3 | G212222030U | CVTT-V-22/22-3 | 3 | E13 | 5.004,39 |
| G202222040U | CVTT-H-22/22-4 | G212222040U | CVTT-V-22/22-4 | 4 | E13 | 5.102,64 |
| G202222055U | CVTT-H-22/22-5,5 | G212222055U | CVTT-V-22/22-5,5 | 5,5 | E13 | 5.699,00 |
| G202222075U | CVTT-H-22/22-7,5 | G212222075U | CVTT-V-22/22-7,5 | 7,5 | E13 | 6.262,44 |
| G202222092U | CVTT-H-22/22-9,2 | G212222092U | CVTT-V-22/22-9,2 | 9,2 | E13 | 6.662,15 |
| G202222110U | CVTT-H-22/22-11 | G212222110U | CVTT-V-22/22-11 | 11 | E13 | 7.171,09 |
| | | | | | | |
| G202525022U | CVTT-H-25/25-2,2 | G212525022U | CVTT-V-25/25-2,2 | 2,2 | E13 | 5.491,44 |
| G202525030U | CVTT-H-25/25-3 | G212525030U | CVTT-V-25/25-3 | 3 | E13 | 5.598,54 |
| G202525040U | CVTT-H-25/25-4 | G212525040U | CVTT-V-25/25-4 | 4 | E13 | 5.884,59 |
| G202525055U | CVTT-H-25/25-5,5 | G212525055U | CVTT-V-25/25-5,5 | 5,5 | E13 | 6.570,59 |
| G202525075U | CVTT-H-25/25-7,5 | G212525075U | CVTT-V-25/25-7,5 | 7,5 | E13 | 6.952,83 |
| G202525092U | CVTT-H-25/25-9,2 | G212525092U | CVTT-V-25/25-9,2 | 9,2 | E13 | 7.371,68 |
| G202525110U | CVTT-H-25/25-11 | G212525110U | CVTT-V-25/25-11 | 11 | E13 | 8.293,85 |
| | | | | | | |
| G203028030U | CVTT-H-30/28-3 | G213028030U | CVTT-V-30/28-3 | 3 | E13 | 6.653,41 |
| G203028040U | CVTT-H-30/28-4 | G213028040U | CVTT-V-30/28-4 | 4 | E13 | 6.751,74 |
| G203028055U | CVTT-H-30/28-5,5 | G213028055U | CVTT-V-30/28-5,5 | 5,5 | E13 | 7.046,60 |
| G203028075U | CVTT-H-30/28-7,5 | G213028075U | CVTT-V-30/28-7,5 | 7,5 | E13 | 7.398,24 |
| G203028092U | CVTT-H-30/28-9,2 | G213028092U | CVTT-V-30/28-9,2 | 9,2 | E13 | 8.140,64 |
| G203028110U | CVTT-H-30/28-11 | G213028110U | CVTT-V-30/28-11 | 11 | E13 | 8.940,41 |
| G203028150U | CVTT-H-30/28-15 | G213028150U | CVTT-V-30/28-15 | 15 | E13 | 9.772,64 |

Se suministran, en configuración estándar, con brida rectangular en la aspiración y en la impulsión, con descarga horizontal, con transmisión y eje motor a la derecha vista desde la boca de impulsión (descarga).

ACCESORIOS DE MONTAJE ESPECÍFICOS SERIE CVTT

| Código | Modelo | Modelo caja | Grupo producto | Precio €/u. |
|----------------------|--------|-------------|----------------|---------------|
| Tapas intemperie CTI | | | | |
| 5137918800 | CTI-9 | CVTT-9/9 | E01 | 49,41 |
| 5137919600 | CTI-10 | CVTT-10/10 | E01 | 51,87 |
| 5137920400 | CTI-12 | CVTT-12/12 | E01 | 71,06 |
| 5137921200 | CTI-15 | CVTT-15/15 | E01 | 78,70 |
| 5137922000 | CTI-18 | CVTT-18/18 | E01 | 104,17 |
| 5137923800 | CTI-20 | CVTT-20/20 | E01 | 160,20 |
| 5137924600 | CTI-22 | CVTT-22/22 | E01 | 185,72 |
| 5137925300 | CTI-25 | CVTT-25/25 | E01 | 212,06 |
| 5137926100 | CTI-30 | CVTT-30/28 | E01 | 311,05 |

Acoplamiento elástico rectangular ACOP RECT

| | | | | |
|------------|---------------------|------------|-----|---------------|
| 5402036000 | ACOP RECT 9/9 ASP | CVTT-9/9 | E01 | 126,81 |
| 5402035000 | ACOP RECT 9/9 IMP | CVTT-9/9 | E01 | 107,68 |
| 5402036100 | ACOP RECT 10/10 ASP | CVTT-10/10 | E01 | 133,09 |
| 5402035100 | ACOP RECT 10/10 IMP | CVTT-10/10 | E01 | 111,68 |
| 5402036200 | ACOP RECT 12/12 ASP | CVTT-12/12 | E01 | 142,10 |
| 5402035200 | ACOP RECT 12/12 IMP | CVTT-12/12 | E01 | 123,17 |
| 5402036300 | ACOP RECT 15/15 ASP | CVTT-15/15 | E01 | 166,83 |
| 5402035300 | ACOP RECT 15/15 IMP | CVTT-15/15 | E01 | 135,83 |
| 5402036400 | ACOP RECT 18/18 ASP | CVTT-18/18 | E01 | 186,65 |
| 5402035400 | ACOP RECT 18/18 IMP | CVTT-18/18 | E01 | 145,20 |
| 5402036500 | ACOP RECT 20/20 ASP | CVTT-20/20 | E01 | 215,65 |
| 5402035500 | ACOP RECT 20/20 IMP | CVTT-20/20 | E01 | 170,08 |
| 5402036600 | ACOP RECT 22/22 ASP | CVTT-22/22 | E01 | 232,26 |
| 5402035600 | ACOP RECT 22/22 IMP | CVTT-22/22 | E01 | 188,17 |
| 5402036700 | ACOP RECT 25/25 ASP | CVTT-25/25 | E01 | 261,51 |
| 5402035700 | ACOP RECT 25/25 IMP | CVTT-25/25 | E01 | 215,38 |
| 5402036800 | ACOP RECT 30/28 ASP | CVTT-30/28 | E01 | 289,29 |
| 5402035800 | ACOP RECT 30/28 IMP | CVTT-30/28 | E01 | 231,97 |

| Código | Modelo | Modelo caja | Grupo producto | Precio €/u. |
|--------------------------|-------------|-------------|----------------|-----------------|
| Módulos filtrantes MF-G4 | | | | |
| 5402074000 | MF-9/9 G4 | CVTT-9/9 | E01 | 339,35 |
| 5402074100 | MF-10/10 G4 | CVTT-10/10 | E01 | 369,01 |
| 5402074200 | MF-12/12 G4 | CVTT-12/12 | E01 | 410,37 |
| 5402074300 | MF-15/15 G4 | CVTT-15/15 | E01 | 447,53 |
| 5402074400 | MF-18/18 G4 | CVTT-18/18 | E01 | 925,84 |
| 5402074500 | MF-20/20 G4 | CVTT-20/20 | E01 | 975,81 |
| 5402074600 | MF-22/22 G4 | CVTT-22/22 | E01 | 1.096,58 |
| 5402074700 | MF-25/25 G4 | CVTT-25/25 | E01 | 1.210,32 |
| 5402074800 | MF-30/28 G4 | CVTT-30/28 | E01 | 1.390,80 |

Recambio filtro para módulos filtrantes MF-G4

| | | | | |
|------------|-----------------|------------|-----|---------------|
| 5402073000 | AFR MF-9/9 G4 | CVTT-9/9 | E01 | 168,17 |
| 5402073100 | AFR MF-10/10 G4 | CVTT-10/10 | E01 | 197,40 |
| 5402073200 | AFR MF-12/12 G4 | CVTT-12/12 | E01 | 205,20 |
| 5402073300 | AFR MF-15/15 G4 | CVTT-15/15 | E01 | 243,97 |
| 5402073400 | AFR MF-18/18 G4 | CVTT-18/18 | E01 | 646,96 |
| 5402073500 | AFR MF-20/20 G4 | CVTT-20/20 | E01 | 672,69 |
| 5402073600 | AFR MF-22/22 G4 | CVTT-22/22 | E01 | 789,61 |
| 5402073700 | AFR MF-25/25 G4 | CVTT-25/25 | E01 | 820,73 |
| 5402073800 | AFR MF-30/28 G4 | CVTT-30/28 | E01 | 975,97 |

ACCESORIOS ELÉCTRICOS

Convertidores de frecuencia
Series VFTM y VFKB

Para regular del 0 al 100% la velocidad nominal de un motor.
(Ver modelos y precios en Accesorios Generales)

Serie IRB/IRT



Ventiladores centrífugos in-line, de altas prestaciones, para conducto rectangular, de bajo perfil, fabricados en chapa de acero galvanizada, tapa para inspección y limpieza, caja de bornes remota, estanca IP55, ventilador centrífugo de álabes hacia atrás, fabricado en aluminio, equilibrado dinámicamente y motor de rotor exterior, Clase F, con rodamientos a bolas de engrase permanente y protector térmico incorporado.

Motores

Modelos monofásicos, IRB, 230V-50Hz, IP44* ó IP54, Clase F, regulables por variación de tensión.

*IP44: modelos 2-180, 2-200, 4-225 y 4-315 A

Modelos trifásicos, IRT, 230/400V-50Hz, IP54, Clase F, regulables por variación de tensión o convertidor de frecuencia.

**Otros datos**

Pueden ser instalados en cualquier posición.



BAJO PERFIL

Es imprescindible comprobar que las características eléctricas (voltaje, intensidad, frecuencia, etc) del motor que aparecen en la placa del mismo son compatibles con las de la instalación.

| Código | Modelo | Dimensiones nominales de conducto (mm) | Velocidad (r.p.m.) | Potencia abs. máx. (W) | Intens. abs. máx. (A) | Caudal máximo (m³/h) | Temperatura de trabajo (°C) | Nivel de presión sonora* (dB(A)) | | | Peso (kg) | Regulador de tensión opcional | Grupo producto | Precio €/u. |
|-------------|-------------|--|--------------------|------------------------|-----------------------|----------------------|-----------------------------|----------------------------------|---------|----------|-----------|-------------------------------|----------------|-------------|
| | | | | | | | | Aspiración | Radiado | Descarga | | | | |
| MONOFÁSICOS | | | | | | | | | | | | | | |
| 5132928800 | IRB/2-180 | 300x150 | 2690 | 63 | 0,3 | 510 | -30/+70 | 56 | 42 | 59 | 10 | RMB-1,5 | E02 | 559,80 |
| 5132928600 | IRB/2-200 A | 400x200 | 2635 | 136 | 0,6 | 1.010 | -30/+70 | 59 | 46 | 62 | 16 | RMB-1,5 | E02 | 673,30 |
| 5132928700 | IRB/2-200 B | 400x200 | 2610 | 204 | 0,9 | 1.350 | -30/+70 | 61 | 48 | 65 | 16 | RMB-1,5 | E02 | 717,58 |
| 5132927000 | IRB/4-225 | 500x250 | 1388 | 152 | 0,6 | 1.600 | -40/+70 | 59 | 51 | 63 | 30 | RMB-1,5 | E02 | 859,06 |
| 5132927100 | IRB/4-315 A | 600x350 | 1397 | 278 | 1,2 | 2.620 | -40/+70 | 59 | 51 | 63 | 37 | RMB-1,5 | E02 | 1.233,29 |
| 5132929000 | IRB/4-315 B | 600x350 | 1388 | 569 | 2,4 | 3.710 | -40/+70 | 66 | 58 | 71 | 43 | RMB-3,5 | E02 | 1.446,97 |
| 5132927700 | IRB/6-315 | 600x350 | 924 | 465 | 2,3 | 2.900 | -40/+60 | 59 | 53 | 66 | 37 | RMB-3,5 | E02 | 1.371,04 |
| 5132929200 | IRB/4-355 | 700x400 | 1402 | 845 | 3,6 | 5.600 | -40/+50 | 66 | 55 | 72 | 56 | RMB-8 | E02 | 1.524,72 |
| 5132929400 | IRB/6-355 | 700x400 | 909 | 572 | 2,4 | 4.730 | -40/+70 | 61 | 53 | 66 | 56 | RMB-3,5 | E02 | 1.656,93 |
| 5132929100 | IRB/6-400 | 800x500 | 935 | 840 | 3,7 | 7.230 | -40/+70 | 64 | 55 | 70 | 66 | RMB-8 | E02 | 2.015,15 |
| 5132928900 | IRB/6-450 | 1000x500 | 924 | 1416 | 6,1 | 8.930 | -40/+70 | 67 | 61 | 74 | 97 | RMB-8 | E02 | 2.763,21 |

* Nivel de presión sonora, medido en campo libre, a 1,5 metros de distancia, en el punto medio de la curva.

| Código | Modelo | Dimensiones nominales de conducto (mm) | Velocidad (r.p.m.) | Potencia abs. máx. (W) | Intensidad abs. máx. (A) | | Caudal máximo (m³/h) | Temperatura de trabajo (°C) | Nivel de presión sonora* (dB(A)) | | | Peso (kg) | Regulador de tensión opcional | Grupo producto | Precio €/u. |
|------------|-------------|--|--------------------|------------------------|--------------------------|------|----------------------|-----------------------------|----------------------------------|---------|----------|-----------|-------------------------------|----------------|-------------|
| | | | | | 230V | 400V | | | Aspiración | Radiado | Descarga | | | | |
| TRIFÁSICOS | | | | | | | | | | | | | | | |
| 5132929300 | IRT/4-315 A | 600x350 | 1398 | 244 | 0,9 | 0,5 | 2.550 | -40/+50 | 59 | 53 | 65 | 37 | RMT-1,5 | E02 | 1.426,03 |
| 5132927200 | IRT/4-315 B | 600x350 | 1415 | 568 | 2,1 | 1,2 | 3.850 | -40/+70 | 68 | 59 | 72 | 43 | RMT-1,5 | E02 | 1.504,76 |
| 5132927800 | IRT/4-355 | 700x400 | 1396 | 813 | 2,9 | 1,7 | 5.560 | -40/+60 | 67 | 55 | 73 | 52 | RMT-2,5 | E02 | 1.726,13 |
| 5132927900 | IRT/6-355 | 700x400 | 896 | 587 | 2,1 | 1,2 | 4.750 | -40/+50 | 64 | 51 | 68 | 52 | RMT-1,5 | E02 | 1.639,82 |
| 5132927500 | IRT/4-400 A | 800x500 | 1431 | 1501 | 5,5 | 3,2 | 7.940 | -40/+70 | 70 | 61 | 76 | 80 | RMT-5 | E02 | 2.382,53 |
| 5132928000 | IRT/4-400 B | 800x500 | 1393 | 2142 | 6,9 | 4,0 | 9.580 | -40/+40 | 72 | 62 | 78 | 80 | RMT-5 | E02 | 2.479,46 |
| 5132928200 | IRT/6-400 | 800x500 | 938 | 823 | 3,3 | 1,9 | 7.280 | -40/+40 | 64 | 54 | 70 | 77 | RMT-2,5 | E02 | 2.355,46 |
| 5132928300 | IRT/4-450 | 1000x500 | 1381 | 2379 | 7,4 | 4,3 | 10.720 | -40/+40 | 74 | 67 | 80 | 96 | RMT-5 | E02 | 2.826,15 |
| 5132928500 | IRT/6-450 | 1000x500 | 927 | 1418 | 5,9 | 3,4 | 9.090 | -40/+60 | 68 | 60 | 75 | 97 | RMT-5 | E02 | 2.684,81 |

* Nivel de presión sonora, medido en campo libre, a 1,5 metros de distancia, en el punto medio de la curva.

Serie IRB/T-ECOWATT

Ampliación de gama



Ventiladores centrífugos in-line, de altas prestaciones, para conducto rectangular, de bajo perfil, fabricados en chapa de acero galvanizada, tapa para inspección y limpieza, caja de bornes remota, estanca IP55, ventilador centrífugo de álabes hacia atrás, equilibrado dinámicamente.

Motores

Motor brushless EC de corriente continua, de alto rendimiento, bajo consumo, IP44, rodamientos a bolas, protector térmico incorporado y capacitados para trabajar a temperaturas de -20°C a +40°C:

- Versión monofásica 230V±10% 50/60Hz, IP44.
- Versión trifásica 400V±10% 50/60Hz, IP54.

Velocidad regulable 100% mediante potenciómetro ubicado en la caja de bornes o mediante control externo tipo REB-ECOWATT. Entrada analógica para controlar el ventilador con una señal externa 0-10V.



Otros datos

Pueden ser instalados en cualquier posición.



BAJO PERFIL

Es imprescindible comprobar que las características eléctricas (voltaje, intensidad, frecuencia, etc) del motor que aparecen en la placa del mismo son compatibles con las de la instalación.

| Código | Modelo | Dimensiones nominales de conducto (mm) | Tensión de control (V) | Velocidad (r.p.m.) | Potencia absorbida máxima (W) | Intensidad absorbida máxima (A) | Caudal máximo (m³/h) | Nivel de presión sonora* (dB(A)) | | | Peso (kg) | Grupo producto | Precio €/u. |
|-------------|------------------|--|------------------------|--------------------|-------------------------------|---------------------------------|----------------------|----------------------------------|------------|---------|-----------|----------------|-------------|
| | | | | | | | | Descarga | Aspiración | Radiado | | | |
| MONOFÁSICOS | | | | | | | | | | | | | |
| 5132930400 | IRB-180 ECOWATT | 300x150 | 10 | 3000 | 75 | 0,5 | 640 | 61 | 61 | 46 | 10 | E02 | 699,74 |
| | | | 8 | 2740 | 58 | 0,4 | 590 | 59 | 58 | 43 | | | |
| | | | 6 | 2170 | 30 | 0,2 | 460 | 55 | 52 | 37 | | | |
| | | | 4 | 1600 | 14 | 0,1 | 330 | 48 | 46 | 31 | | | |
| 5132930500 | IRB-200 ECOWATT | 400x200 | 10 | 2650 | 207 | 1,4 | 1.400 | 68 | 65 | 52 | 17 | E02 | 841,67 |
| | | | 8 | 2370 | 149 | 1,0 | 1.250 | 65 | 63 | 49 | | | |
| | | | 6 | 1890 | 80 | 0,6 | 990 | 60 | 57 | 44 | | | |
| | | | 4 | 1410 | 38 | 0,3 | 720 | 53 | 50 | 40 | | | |
| 5132930600 | IRB-225 ECOWATT | 500x250 | 10 | 2320 | 345 | 1,5 | 2.140 | 74 | 70 | 56 | 22 | E02 | 1.365,81 |
| | | | 8 | 2100 | 261 | 1,1 | 1.940 | 71 | 68 | 55 | | | |
| | | | 6 | 1710 | 149 | 0,7 | 1.590 | 65 | 62 | 52 | | | |
| | | | 4 | 1320 | 76 | 0,4 | 1.230 | 59 | 56 | 49 | | | |
| 5132930700 | IRB-315A ECOWATT | 600x350 | 10 | 1500 | 298 | 1,3 | 2.890 | 68 | 64 | 52 | 39 | E02 | 1.479,94 |
| | | | 8 | 1400 | 244 | 1,0 | 2.690 | 66 | 63 | 51 | | | |
| | | | 6 | 1180 | 154 | 0,7 | 2.280 | 62 | 59 | 48 | | | |
| | | | 4 | 950 | 88 | 0,4 | 1.840 | 56 | 53 | 44 | | | |
| 5132000900 | IRB-315B ECOWATT | 600x350 | 10 | 1775 | 868 | 3,7 | 4.285 | 77 | 71 | 58 | 48 | E02 | 2.075,56 |
| | | | 8 | 1575 | 621 | 2,6 | 3.775 | 74 | 68 | 56 | | | |
| | | | 6 | 1270 | 336 | 1,4 | 3.075 | 70 | 64 | 51 | | | |
| | | | 4 | 960 | 1663 | 0,7 | 2.380 | 65 | 59 | 47 | | | |
| 5132001100 | IRB-355 ECOWATT | 700x400 | 10 | 1430 | 810 | 3,4 | 5.355 | 73 | 66 | 52 | 60 | E02 | 2.433,33 |
| | | | 8 | 1290 | 618 | 2,6 | 4.835 | 70 | 64 | 50 | | | |
| | | | 6 | 1070 | 360 | 1,5 | 4.035 | 66 | 60 | 46 | | | |
| | | | 4 | 850 | 194 | 0,8 | 3.200 | 61 | 55 | 41 | | | |
| 5132001300 | IRB-400 ECOWATT | 800x500 | 10 | 1210 | 889 | 3,7 | 6.490 | 73 | 66 | 64 | 74 | E02 | 2.664,29 |
| | | | 8 | 1090 | 650 | 2,7 | 5.820 | 70 | 64 | 53 | | | |
| | | | 6 | 920 | 404 | 1,7 | 4.945 | 66 | 60 | 49 | | | |
| | | | 4 | 757 | 234 | 1,0 | 4.095 | 61 | 55 | 44 | | | |

* Nivel de presión sonora, medido en campo libre, a 1,5 metros de distancia, en el punto medio de la curva.

| Código | Modelo | Dimensiones nominales de conducto (mm) | Tensión de control (V) | Velocidad (r.p.m.) | Potencia absorbida máxima (W) | Intensidad absorbida máxima (A) | Caudal máximo (m³/h) | Nivel de presión sonora* (dB(A)) | | | Peso (kg) | Grupo producto | Precio €/u. |
|--------------|------------------|--|------------------------|--------------------|-------------------------------|---------------------------------|----------------------|----------------------------------|------------|---------|-----------|----------------|-------------|
| | | | | | | | | Descarga | Aspiración | Radiado | | | |
| TRIFÁSICOS | | | | | | | | | | | | | |
| 5132001000 | IRT-315 ECOWATT | 600x350 | 10 | 1920 | 1140 | 2,2 | 4.670 | 79 | 73 | 60 | 48 | E02 | 2.274,25 |
| | | | 8 | 1700 | 804 | 1,5 | 4.095 | 77 | 70 | 58 | | | |
| | | | 6 | 1335 | 414 | 0,9 | 3.232 | 73 | 66 | 54 | | | |
| | | | 4 | 1015 | 201 | 0,5 | 2.434 | 68 | 61 | 49 | | | |
| 5132001200 | IRT-355 ECOWATT | 700x400 | 10 | 1600 | 1154 | 2,2 | 5.835 | 78 | 72 | 59 | 60 | E02 | 2.620,12 |
| | | | 8 | 1430 | 838 | 1,5 | 5.290 | 75 | 70 | 56 | | | |
| | | | 6 | 1170 | 477 | 1,0 | 4.290 | 71 | 66 | 52 | | | |
| | | | 4 | 910 | 240 | 0,6 | 3.350 | 66 | 61 | 47 | | | |
| N 5132001400 | IRT-400A ECOWATT | 800x500 | 10 | 1270 | 1004 | 1,9 | 6.790 | 66 | 73 | 64 | 74 | E02 | 2.807,72 |
| | | | 8 | 1140 | 878 | 1,5 | 6.120 | 65 | 72 | 53 | | | |
| | | | 6 | 960 | 508 | 0,9 | 5.240 | 61 | 68 | 49 | | | |
| | | | 4 | 780 | 274 | 0,6 | 4.170 | 56 | 63 | 44 | | | |
| 5132001500 | IRT-400B ECOWATT | 800x500 | 10 | 1720 | 2511 | 3,8 | 8.520 | 84 | 77 | 64 | 74 | E02 | 3.487,93 |
| | | | 8 | 1465 | 1586 | 2,5 | 7.250 | 81 | 74 | 66 | | | |
| | | | 6 | 1150 | 816 | 1,5 | 5.700 | 77 | 70 | 62 | | | |
| | | | 4 | 820 | 335 | 0,8 | 4.090 | 72 | 65 | 57 | | | |
| N 5132001600 | IRT-450 ECOWATT | 1000x500 | 10 | 1380 | 2363 | 3,5 | 10.140 | 73 | 82 | 64 | 94 | E02 | 3.758,47 |
| | | | 8 | 1170 | 878 | 1,5 | 8.500 | 71 | 80 | 59 | | | |
| | | | 6 | 920 | 508 | 0,9 | 6.860 | 67 | 76 | 55 | | | |
| | | | 4 | 690 | 274 | 0,6 | 5.070 | 62 | 71 | 50 | | | |

* Nivel de presión sonora, medido en campo libre, a 1,5 metros de distancia, en el punto medio de la curva.

N NOVEDAD

Serie IRAB-N/IRAT-N



Ventiladores centrífugos in-line de bajo perfil, para conducto rectangular, autolimpiantes con rodete de álabes hacia atrás, de fabricados en chapa de acero galvanizada, con aislamiento acústico ininflamable (M0) de fibra de vidrio, de 50 mm de espesor, ventilador centrífugo de álabes hacia atrás, tapa para inspección y limpieza, caja de bornes remota, motor de rotor exterior, Clase F, con protector térmico incorporado.

Motores

De rotor exterior.
Modelos monofásicos 230V-50Hz, IP54 o IP44 según modelos, regulables por variación de tensión.
Modelos trifásicos 230/400V-50Hz, IP54, Clase F, regulables por convertidor de frecuencia.

Otros datos

Pueden ser instalados en cualquier posición.



BAJO PERFIL



Es imprescindible comprobar que las características eléctricas (voltaje, intensidad, frecuencia, etc) del motor que aparecen en la placa del mismo son compatibles con las de la instalación.

| Código | Modelo | Dim. nominales de conducto (mm) | Velocidad (r.p.m.) | Potencia abs. máx. (W) | Intensidad abs. máx. (A) | Caudal máximo (m³/h) | Nivel de presión sonora* (dB(A)) | | | Temperatura de trabajo (°C) | Peso (kg) | Regulador de tensión opcional | Grupo producto | Precio €/u. |
|-------------|---------------|---------------------------------|--------------------|------------------------|--------------------------|----------------------|----------------------------------|---------|----------|-----------------------------|-----------|-------------------------------|----------------|-------------|
| | | | | | | | Aspiración | Radiado | Descarga | | | | | |
| MONOFÁSICOS | | | | | | | | | | | | | | |
| 5132933300 | IRAB/4-315 AN | 600x350 | 1397 | 278 | 1,2 | 2.620 | 58 | 48 | 66 | -40/+70 | 54 | RMB-1,5 | E02 | 1.485,00 |
| 5132933500 | IRAB/4-315 BN | 600x350 | 1388 | 569 | 2,4 | 3.710 | 60 | 50 | 70 | -40/+70 | 57 | RMB-3,5 | E02 | 1.797,88 |
| 5132933800 | IRAB/4-355 N | 700x400 | 1402 | 845 | 3,6 | 5.600 | 62 | 51 | 74 | -40/+50 | 66 | RMB-5 | E02 | 2.423,44 |

| Código | Modelo | Dim. nominales de conducto (mm) | Velocidad (r.p.m.) | Potencia abs. máx. (W) | Intensidad absorbida máxima (A) | | Caudal máximo (m³/h) | Nivel de presión sonora* (dB(A)) | | | Temperatura de trabajo (°C) | Peso (kg) | Regulador de tensión opcional | Grupo producto | Precio €/u. |
|------------|---------------|---------------------------------|--------------------|------------------------|---------------------------------|------|----------------------|----------------------------------|---------|----------|-----------------------------|-----------|-------------------------------|----------------|-------------|
| | | | | | 230V | 400V | | Aspiración | Radiado | Descarga | | | | | |
| TRIFÁSICOS | | | | | | | | | | | | | | | |
| 5132933400 | IRAT/4-315 AN | 600x350 | 1400 | 244 | 0,9 | 0,5 | 2.550 | 58 | 47 | 66 | -40/+50 | 52 | RMT-1,5 | E02 | 1.485,00 |
| 5132933600 | IRAT/4-315 BN | 600x350 | 1415 | 568 | 2,1 | 1,2 | 3.850 | 60 | 50 | 69 | -40/+70 | 55 | RMT-1,5 | E02 | 1.797,88 |
| 5132933700 | IRAT/4-355 N | 700x400 | 1400 | 813 | 2,9 | 1,7 | 5.560 | 62 | 53 | 73 | -40/+60 | 64 | RMT-2,5 | E02 | 2.423,44 |
| 5132933900 | IRAT/4-400 AN | 800x500 | 1430 | 1501 | 5,5 | 3,2 | 7.940 | 64 | 56 | 76 | -40/+70 | 91 | RMT-5 | E02 | 3.047,74 |
| 5132934000 | IRAT/4-400 BN | 800x500 | 1395 | 2142 | 6,9 | 4,0 | 9.580 | 65 | 58 | 78 | -40/+40 | 100 | RMT-5 | E02 | 3.129,72 |
| 5132934100 | IRAT/4-450 N | 1000x500 | 1380 | 2379 | 7,4 | 4,3 | 10.720 | 66 | 60 | 80 | -40/+40 | 125 | RMT-5 | E02 | 3.517,17 |

* Nivel de presión sonora, medido en campo libre, a 1,5 metros de distancia, en el punto medio de la curva.

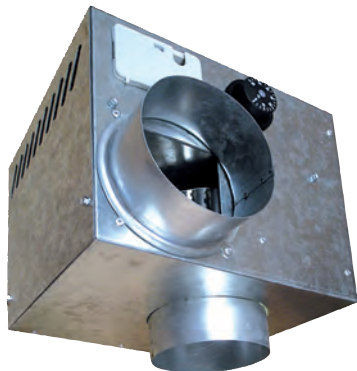
ACCESORIOS IRAB-N/IRAT-N

| Modelo ventilador | Soportes antivibratorios | Brida | Acoplamiento elástico | Atenuador acústico | Defensa de protección | Motor reductor | Caja filtrante G4 |
|-------------------|--------------------------|---------|-----------------------|--------------------|-----------------------|----------------|-------------------|
| IRAT-315 | ISA | IBR-315 | IAE-315 | IAA-315 | DEF-600x350 | IJK-315 | IFL-315 G4 |
| IRAT-355 | ISA | IBR-355 | IAE-355 | IAA-355 | DEF-700x400 | IJK-355 | IFL-355 G4 |
| IRAT-400 | ISA | IBR-400 | IAE-400 | IAA-400 | DEF-800x500 | IJK-400 | IFL-400 G4 |
| IRAT-450 | ISA | IBR-450 | IAE-450 | IAA-450 | DEF-1000x500 | IJK-450 | IFL-450 G4 |

| Modelo ventilador | Caja filtrante para filtros F5, F7 y F9 | Filtro F5 | Filtro F7 | Filtro F9 | Baterías eléctricas IBE | Baterías de agua caliente |
|-------------------|---|------------|------------|------------|-------------------------|---------------------------|
| IRAT-315 | IFL-315 F | IFR-315 F5 | IFR-315 F7 | IFR-315 F9 | IBE-315/30T | IBW-315 |
| IRAT-355 | IFL-355 F | IFR-355 F5 | IFR-355 F7 | IFR-355 F9 | IBE-355/30T | IBW-355 |
| IRAT-400 | IFL-400 F | IFR-400 F5 | IFR-400 F7 | IFR-400 F9 | IBE-400/50T | IBW-400 |
| IRAT-450 | IFL-450 F | IFR-450 F5 | IFR-450 F7 | IFR-450 F9 | IBE-450/63T | IBW-450 |

Cajas de ventilación para recuperación de calor de chimeneas

Serie CHEMINAIR



Para recuperación y distribución del calor de chimeneas

Cajas de ventilación especialmente diseñadas para el aprovechamiento y distribución del calor producido por chimeneas, fabricadas en chapa de acero galvanizado, con aislamiento térmico, termostato integrado (de 0 a 90°C) y motor monofásico 230V-50Hz, regulable.

Otros datos

Capacitadas para trasegar aire a 180°C en continuo.

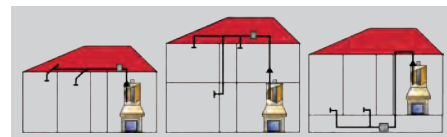


Aplicaciones específicas



Continuo

Instalación



Pueden instalarse en altillos o desvanes de casas de una o varias plantas y en sótanos sanitarios.

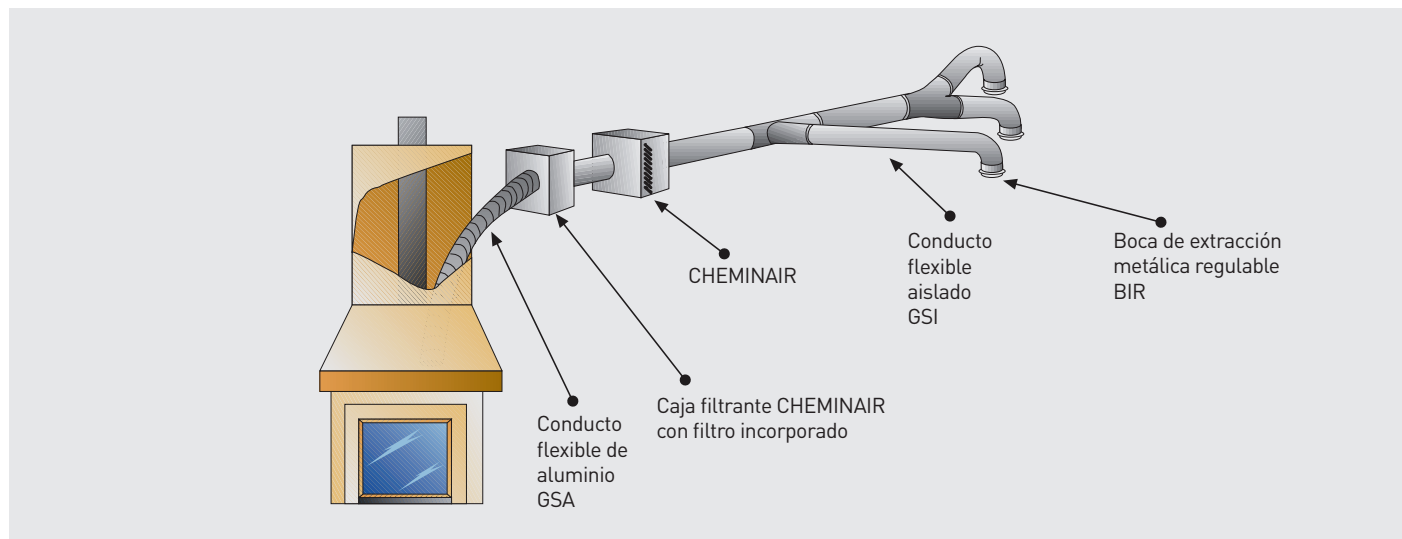
Es imprescindible comprobar que las características eléctricas (voltaje, intensidad, frecuencia, etc) del motor que aparecen en la placa del mismo son compatibles con las de la instalación.

| Código | Modelo | Potencia (W) | Velocidad (r.p.m.) | Intensidad (A) | Regulable | Termostato integrado (0-90 °C) | Ø Conducto descarga (mm) | Caudal (m³/h) | Grupo producto | Precio €/u. |
|------------|---------------|--------------|--------------------|----------------|-----------|--------------------------------|--------------------------|---------------|----------------|-------------|
| 5126008200 | CHEMINAIR-400 | 65 | 1100 | 0,29 | • | • | 125 | 400 | E01 | 448,98 |
| 5126008300 | CHEMINAIR-600 | 100 | 1050 | 0,45 | • | • | 160 | 600 | E01 | 509,96 |

Cajas filtrantes (con filtro incluido) para la Serie CHEMINAIR

| | | | | | | | | | | |
|------------|------------------------------|--|--|--|--|--|--|--|-----|--------|
| 5416754700 | CAJA FILTRANTE CHEMINAIR 400 | | | | | | | | E01 | 367,71 |
| 5416754800 | CAJA FILTRANTE CHEMINAIR 600 | | | | | | | | E01 | 399,42 |

ACCESORIOS DE MONTAJE



Cajas filtrantes

Serie UVF ECOWATT



Cajas de ventilación con filtros integrados, de bajo nivel sonoro, fabricadas en chapa de acero galvanizado, con aislamiento acústico ininflamable (M0) de lana mineral de 30 mm de espesor, juntas estancas en aspiración y descarga, cierres de tipo tracción giratorio, de fácil apertura, y ventilador centrífugo de álabes hacia atrás.

Motor brushless de corriente continua, de alto rendimiento y bajo consumo, alimentación 230V±10% 50/60Hz, IP44, rodamientos a bolas, protector térmico, interruptor ON/OFF con potenciómetro incorporado para ajustar la velocidad y entrada analógica para controlar el ventilador con una señal de 0-10V.

Todos los modelos tienen capacidad para el montaje de hasta 3 filtros.

Filtros

- Versión F7: Suministrada con filtro F7. Es posible añadir un segundo filtro de alta eficacia y un prefiltro, ambos accesorios.

- Versión con filtro F7 + filtro F9. Es posible añadir un prefiltro (accesorio).

Sistema de montaje de filtros de alta eficacia con brazos de apriete que se adaptan al grosor de uno o dos filtros. Gracias a los pomos roscados es posible realizar un buen apriete entre filtro y bastidor, minimizando el by-pass de aire exterior al filtro habitual en los filtros montados mediante guías. Para poder alargar la vida útil de los filtros de alta eficacia, se recomienda añadir un prefiltro (G4 o M5), suministrado como accesorio. Eficacias de filtración según ISO-16890 de la versión F7+F9: ePM10=99,5%, ePM2,5=98,5%, ePM1=96,2%.

Otros datos

Pueden ser colocadas en cualquier posición. Diseñadas para instalaciones en interior. Temperatura de trabajo de -20°C a +40°C. Filtros de alta eficacia y muy baja pérdida de carga. Presostato para control de saturación de filtros.

| Modelo | Velocidad (r.p.m.) | Alimentación eléctrica | Potencia absorbida máxima (W) | Intensidad absorbida máxima (A) | Caudal máximo* (m³/h) | Nivel de presión sonora** (dB(A)) a 1,5 m | | | Peso (kg) |
|----------------------|--------------------|------------------------|-------------------------------|---------------------------------|-----------------------|---|----------|---------|-----------|
| | | | | | | Aspiración | Descarga | Radiado | |
| UVF-400/160 ECOWATT | 3900 | 230V/1/50-60Hz | 100 | 0,5 | 390 | 47 | 49 | 38 | 13 |
| UVF-600/200 ECOWATT | 3300 | 230V/1/50-60Hz | 115 | 0,57 | 590 | 45 | 47 | 48 | 18 |
| UVF-1100/250 ECOWATT | 2800 | 230V/1/50-60Hz | 210 | 1,1 | 1.050 | 50 | 51 | 51 | 21 |
| UVF-1500/315 ECOWATT | 2300 | 230V/1/50-60Hz | 235 | 1,4 | 1.460 | 45 | 48 | 47 | 28 |
| UVF-2500/355 ECOWATT | 1900 | 230V/1/50-60Hz | 355 | 1,39 | 2.460 | 52 | 53 | 45 | 37 |
| UVF-3000/400 ECOWATT | 1800 | 230V/1/50-60Hz | 360 | 1,45 | 2.700 | 49 | 51 | 45 | 39 |

* Con filtro F7. ** Al 70% del caudal máximo con filtro F7.

| Código | Modelo | Grupo producto | Precio €/u. |
|---|----------------------------|----------------|-----------------|
| Caja de ventilación con filtro F7 montado | | | |
| 5160319000 | UVF-400/160 F7 ECOWATT | E01 | 1.202,18 |
| 5160319100 | UVF-600/200 F7 ECOWATT | E01 | 1.324,95 |
| 5160319200 | UVF-1100/250 F7 ECOWATT | E01 | 1.587,34 |
| 5160319300 | UVF-1500/315 F7 ECOWATT | E01 | 1.763,08 |
| 5160319400 | UVF-2500/355 F7 ECOWATT | E01 | 2.314,54 |
| 5160319500 | UVF-3000/400 F7 ECOWATT | E01 | 2.383,97 |
| Caja de ventilación con filtros F7 y F9 montado | | | |
| 5160320400 | UVF-400/160 F7 F9 ECOWATT | E01 | 1.286,33 |
| 5160320500 | UVF-600/200 F7 F9 ECOWATT | E01 | 1.417,69 |
| 5160320600 | UVF-1100/250 F7 F9 ECOWATT | E01 | 1.698,46 |
| 5160320700 | UVF-1500/315 F7 F9 ECOWATT | E01 | 1.886,51 |
| 5160320800 | UVF-2500/355 F7 F9 ECOWATT | E01 | 2.476,56 |
| 5160320900 | UVF-3000/400 F7 F9 ECOWATT | E01 | 2.550,86 |

ACCESORIOS

Filtros

| Código | Modelo | Grupo producto | Precio €/u. |
|------------|----------------------|----------------|---------------|
| Filtros G4 | | | |
| 2560003200 | AFR UVF-400 G4 | E01 | 38,17 |
| 2560003300 | AFR UVF-600 G4 | E01 | 43,34 |
| 2560003400 | AFR UVF-1100 G4 | E01 | 53,21 |
| 2560003500 | AFR UVF-1500 G4 | E01 | 59,97 |
| 2560003600 | AFR UVF-2500/3000 G4 | E01 | 75,40 |
| Filtros M5 | | | |
| 2560003700 | AFR UVF-400 M5 | E01 | 58,65 |
| 2560003800 | AFR UVF-600 M5 | E01 | 66,57 |
| 2560003900 | AFR UVF-1100 M5 | E01 | 81,77 |
| 2560004000 | AFR UVF-1500 M5 | E01 | 92,12 |
| 2560004100 | AFR UVF-2500/3000 M5 | E01 | 115,82 |

| Código | Modelo | Grupo producto | Precio €/u. |
|------------|----------------------|----------------|---------------|
| Filtros F7 | | | |
| 2560002700 | AFR UVF-400 F7 | E01 | 79,19 |
| 2560002800 | AFR UVF-600 F7 | E01 | 89,87 |
| 2560002900 | AFR UVF-1100 F7 | E01 | 110,39 |
| 2560003000 | AFR UVF-1500 F7 | E01 | 124,35 |
| 2560003100 | AFR UVF-2500/3000 F7 | E01 | 156,33 |
| Filtros F9 | | | |
| 2560004200 | AFR UVF-400 F9 | E01 | 87,09 |
| 2560004300 | AFR UVF-600 F9 | E01 | 98,86 |
| 2560004400 | AFR UVF-1100 F9 | E01 | 121,44 |
| 2560004500 | AFR UVF-1500 F9 | E01 | 136,81 |
| 2560004600 | AFR UVF-2500/3000 F9 | E01 | 171,95 |

Filtros accesorios necesarios en función de la combinación de filtros requerida

Partiendo de caja con filtro F7

| Modelo Caja de ventilación | Combinación de filtros requerida | | | Prefiltro |
|-------------------------------|----------------------------------|----------------------|----------------------|----------------------|
| | F7 | M5+F7 | F7+F9 | G4 |
| UVF-400/160 F7 ECOWATT | Incluido | AFR UVF-400 M5 | AFR UVF-400 F9 | AFR UVF-400 G4 |
| UVF-600/200 F7 ECOWATT | Incluido | AFR UVF-600 M5 | AFR UVF-600 F9 | AFR UVF-600 G4 |
| UVF-1100/250 F7 ECOWATT | Incluido | AFR UVF-1100 M5 | AFR UVF-1100 F9 | AFR UVF-1100 G4 |
| UVF-1500/315 F7 ECOWATT | Incluido | AFR UVF-1500 M5 | AFR UVF-1500 F9 | AFR UVF-1500 G4 |
| UVF-2500/355 F7 ECOWATT | Incluido | AFR UVF-2500/3000 M5 | AFR UVF-2500/3000 F9 | AFR UVF-2500/3000 G4 |
| UVF-3000/400 F7 ECOWATT | Incluido | AFR UVF-2500/3000 M5 | AFR UVF-2500/3000 F9 | AFR UVF-2500/3000 G4 |

Partiendo de caja con filtros F7+F9

| Modelo Caja de ventilación | Combinación de filtros requerida | | | Prefiltro |
|-------------------------------|----------------------------------|--|--|----------------------|
| | F7+F9 | | | G4 |
| UVF-400/160 F7+F9 ECOWATT | Incluido | | | AFR UVF-400 G4 |
| UVF-600/200 F7+F9 ECOWATT | Incluido | | | AFR UVF-600 G4 |
| UVF-1100/250 F7+F9 ECOWATT | Incluido | | | AFR UVF-1100 G4 |
| UVF-1500/315 F7+F9 ECOWATT | Incluido | | | AFR UVF-1500 G4 |
| UVF-2500/355 F7+F9 ECOWATT | Incluido | | | AFR UVF-2500/3000 G4 |
| UVF-3000/400 F7+F9 ECOWATT | Incluido | | | AFR UVF-2500/3000 G4 |

MFL-G4

Cajas filtrantes, suministradas con filtro MFR-G4 de tipo Gravimétrico G4 (UNE-EN 779:2003), capaces de filtrar más del 90% de las partículas superiores a 10 micras.

Aptas para montar en intemperie.

Fabricadas en chapa de acero galvanizado.

Bridas circulares con junta de estanqueidad.

Tapa de abertura fácil, que permite el rápido cambio del filtro.

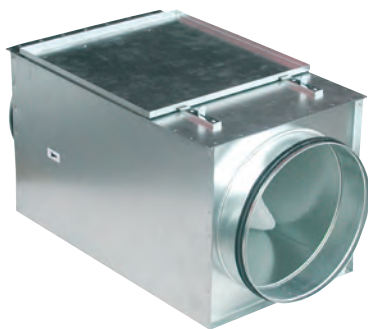
| Código | Modelo | Ø Conducto (mm) | Grupo producto | Precio €/u. |
|------------|------------|-----------------|----------------|---------------|
| 5416590700 | MFL-100 G4 | 100 | E01 | 170,38 |
| 5416591500 | MFL-125 G4 | 125 | E01 | 172,15 |
| 5416589900 | MFL-150 G4 | 150 | E01 | 174,82 |
| 5416592300 | MFL-160 G4 | 160 | E01 | 177,18 |
| 5416579000 | MFL-200 G4 | 200 | E01 | 207,76 |
| 5416580800 | MFL-250 G4 | 250 | E01 | 229,25 |
| 5416581600 | MFL-315 G4 | 315 | E01 | 250,55 |
| 5416593100 | MFL-355 G4 | 355 | E01 | 298,39 |
| 5416594900 | MFL-400 G4 | 400 | E01 | 304,36 |
| 5416759600 | MFL-450 G4 | 450 | E01 | 373,57 |
| 5416759700 | MFL-500 G4 | 500 | E01 | 400,37 |
| 5416747600 | MFL-560 G4 | 560 | E01 | 440,04 |
| 5416747500 | MFL-630 G4 | 630 | E01 | 496,48 |

ACCESORIOS PARA CAJAS MFL-G4**MFR-G4**

Filtros de recambio para montar en las cajas filtrantes MFL-G4.

| Código | Modelo | Grupo producto | Precio €/u. |
|------------|--------------------|----------------|--------------|
| 5211831200 | MFR-100/125/160 G4 | E01 | 23,13 |
| 5211832000 | MFR-200 G4 | E01 | 25,88 |
| 5211833800 | MFR-250 G4 | E01 | 27,44 |
| 5211834600 | MFR-315 G4 | E01 | 30,39 |
| 5416595300 | MFR-355/400 G4 | E01 | 40,01 |
| 5416766500 | MFR-450/500 G4 | E01 | 45,05 |
| 5416766600 | MFR-560 G4 | E01 | 54,25 |
| 5416766700 | MFR-630 G4 | E01 | 63,81 |

MFL-F



Cajas filtrantes, suministradas sin filtro incorporado, para montar filtros MFR-F.
Aptas para montar en intemperie.
Fabricadas en chapa de acero galvanizado.

Bridas circulares con junta de estanqueidad.
Tapa de apertura fácil, que permite el rápido cambio del filtro.

| Código | Modelo | Tipo filtro | Ø Conducto (mm) | Peso (kg) | Grupo producto | Precio €/u. |
|------------|-----------|-----------------|-----------------|-----------|----------------|-------------|
| 5416744600 | MFL-100 F | MFR-100/125/160 | 100 | 3 | E01 | 251,81 |
| 5416744700 | MFL-125 F | MFR-100/125/160 | 125 | 3 | E01 | 254,11 |
| 5416744800 | MFL-150 F | MFR-100/125/160 | 150 | 3 | E01 | 264,52 |
| 5416744900 | MFL-160 F | MFR-100/125/160 | 160 | 3 | E01 | 266,50 |
| 5416745000 | MFL-200 F | MFR-200 | 200 | 4 | E01 | 297,26 |
| 5416745100 | MFL-250 F | MFR-250 | 250 | 5 | E01 | 342,25 |
| 5416745200 | MFL-315 F | MFR-315 | 315 | 6 | E01 | 415,12 |
| 5416745300 | MFL-355 F | MFR-355/400 | 355 | 8 | E01 | 496,62 |
| 5416745400 | MFL-400 F | MFR-355/400 | 400 | 8 | E01 | 522,19 |
| 5416750200 | MFL-450 F | MFR-450/500 | 450 | 10 | E01 | 645,72 |
| 5416750300 | MFL-500 F | MFR-450/500 | 500 | 10 | E01 | 668,77 |
| 5416750400 | MFL-560 F | MFR-560 | 560 | 12 | E01 | 760,07 |
| 5416750500 | MFL-630 F | MFR-630 | 630 | 12 | E01 | 862,19 |



MFR-F

Filtros para montar en las cajas filtrantes MFL-F.

MFR F5

Filtros de clase F5(EU5).
Temperatura máxima de trabajo: 80°C
Pérdida de carga máxima exigible: 300Pa

MFR F6

Filtros de clase F6(EU6).
Temperatura máxima de trabajo: 80°C
Pérdida de carga máxima exigible: 350Pa

MFR F7

Filtros de clase F7(EU7).
Temperatura máxima de trabajo: 80°C
Pérdida de carga máxima exigible: 400Pa

MFR F8

Filtros de clase F8(EU8).
Temperatura máxima de trabajo: 80°C
Pérdida de carga máxima exigible: 400Pa

MFR F9

Filtros de clase F9(EU9).
Temperatura máxima de trabajo: 80°C
Pérdida de carga máxima exigible: 400Pa

| Código | Modelo | Grupo producto | Precio €/u. |
|------------|--------------------|----------------|-------------|
| 5416745500 | MFR-100/125/160 F5 | E01 | 48,84 |
| 5416745700 | MFR-200 F5 | E01 | 51,26 |
| 5416745900 | MFR-250 F5 | E01 | 65,67 |
| 5416746100 | MFR-315 F5 | E01 | 87,47 |
| 5416746300 | MFR-355/400 F5 | E01 | 116,12 |
| 5416750600 | MFR-450/500 F5 | E01 | 212,00 |
| 5416751400 | MFR-560 F5 | E01 | 218,33 |
| 5416751800 | MFR-630 F5 | E01 | 272,56 |
| 5416746600 | MFR-100/125/160 F6 | E01 | 51,26 |
| 5416746700 | MFR-200 F6 | E01 | 52,79 |
| 5416746800 | MFR-250 F6 | E01 | 67,29 |
| 5416746900 | MFR-315 F6 | E01 | 92,57 |
| 5416747000 | MFR-355/400 F6 | E01 | 122,85 |
| 5416750700 | MFR-450/500 F6 | E01 | 228,82 |
| 5416751500 | MFR-560 F6 | E01 | 235,68 |
| 5416751900 | MFR-630 F6 | E01 | 299,47 |
| 5416745600 | MFR-100/125/160 F7 | E01 | 52,20 |
| 5416745800 | MFR-200 F7 | E01 | 53,86 |
| 5416746000 | MFR-250 F7 | E01 | 69,01 |
| 5416746200 | MFR-315 F7 | E01 | 94,22 |
| 5416746400 | MFR-355/400 F7 | E01 | 126,24 |
| 5416750800 | MFR-450/500 F7 | E01 | 237,27 |
| 5416751600 | MFR-560 F7 | E01 | 244,38 |
| 5416752000 | MFR-630 F7 | E01 | 314,65 |

| Código | Modelo | Grupo producto | Precio €/u. |
|------------|--------------------|----------------|-------------|
| 5416749100 | MFR-100/125/160 F8 | E01 | 53,23 |
| 5416749300 | MFR-200 F8 | E01 | 54,94 |
| 5416749500 | MFR-250 F8 | E01 | 72,39 |
| 5416749700 | MFR-315 F8 | E01 | 97,59 |
| 5416749900 | MFR-355/400 F8 | E01 | 134,62 |
| 5416754300 | MFR-450/500 F8 | E01 | 250,73 |
| 5416754500 | MFR-560 F8 | E01 | 255,73 |
| 5416754600 | MFR-630 F8 | E01 | 336,48 |
| 5416749200 | MFR-100/125/160 F9 | E01 | 55,55 |
| 5416749400 | MFR-200 F9 | E01 | 57,21 |
| 5416749600 | MFR-250 F9 | E01 | 77,38 |
| 5416749800 | MFR-315 F9 | E01 | 107,67 |
| 5416750000 | MFR-355/400 F9 | E01 | 146,41 |
| 5416750900 | MFR-450/500 F9 | E01 | 275,92 |
| 5416751700 | MFR-560 F9 | E01 | 284,39 |
| 5416752100 | MFR-630 F9 | E01 | 376,89 |

FBL-N



Cajas filtrantes, suministradas sin filtro, para montar filtros AFR-N (admite un máximo de 2 filtros). Con bridas estancas en aspiración y descarga.

| Código | Modelo | Ø Conducto (mm) | Grupo producto | Precio €/u. |
|------------|--------------|-----------------|----------------|-------------|
| 5416988000 | FBL-N-125 | 125 | E01 | 229,44 |
| 5416988100 | FBL-N-160 | 160 | E01 | 248,09 |
| 5416802200 | FBL-N-200 | 200 | E01 | 258,70 |
| 5416802300 | FBL-N-250 | 250 | E01 | 283,62 |
| 5416802400 | FBL-N-315 | 315 | E01 | 364,73 |
| 5416802500 | FBL-N-355/18 | 355 | E01 | 355,66 |
| 5416802600 | FBL-N-355/23 | 355 | E01 | 396,18 |
| 5416802700 | FBL-N-400 | 400 | E01 | 483,20 |
| 5416802800 | FBL-N-450 | 450 | E01 | 526,43 |
| 5416802900 | FBL-N-500 | 500 | E01 | 689,46 |
| 5416803000 | FBL-N-630 | 630 | E01 | 777,70 |



AFR-N

Filtros para montar en las cajas filtrantes FBL-N.

| Código | Modelo | Grupo producto | Precio €/u. | Código | Modelo | Grupo producto | Precio €/u. |
|--|-----------------|----------------|-------------|------------------|-----------------|----------------|-------------|
| Filtros AFR-N G4 | | | | Filtros AFR-N F7 | | | |
| 5402087400 | AFR-N-125 G4 | E01 | 26,28 | 5402087600 | AFR-N-125 F7 | E01 | 36,62 |
| 5402087800 | AFR-N-160 G4 | E01 | 29,31 | 5402088000 | AFR-N-160 F7 | E01 | 47,10 |
| 5402043000 | AFR-N-200/05 G4 | E01 | 32,36 | 5402046000 | AFR-N-200/05 F7 | E01 | 58,48 |
| 5402043100 | AFR-N-250/08 G4 | E01 | 36,40 | 5402046100 | AFR-N-250/08 F7 | E01 | 87,97 |
| 5402043200 | AFR-N-315/12 G4 | E01 | 46,68 | 5402046200 | AFR-N-315/12 F7 | E01 | 124,94 |
| 5402043300 | AFR-N-355/18 G4 | E01 | 51,80 | 5402046300 | AFR-N-355/18 F7 | E01 | 144,39 |
| 5402043400 | AFR-N-355/23 G4 | E01 | 59,63 | 5402046400 | AFR-N-355/23 F7 | E01 | 172,07 |
| 5402043500 | AFR-N-400/30 G4 | E01 | 75,17 | 5402046500 | AFR-N-400/30 F7 | E01 | 229,14 |
| 5402043600 | AFR-N-450/45 G4 | E01 | 88,12 | 5402046600 | AFR-N-450/45 F7 | E01 | 279,29 |
| 5402043700 | AFR-N-500/55 G4 | E01 | 104,96 | 5402046700 | AFR-N-500/55 F7 | E01 | 326,82 |
| 5402043900 | AFR-N-630/80 G4 | E01 | 185,55 | 5402046900 | AFR-N-630/80 F7 | E01 | 549,73 |
| Filtros AFR-N M5 | | | | Filtros AFR-N F9 | | | |
| 5402087500 | AFR-N-125 M5 | E01 | 33,95 | 5402087700 | AFR-N-125 F9 | E01 | 41,19 |
| 5402087900 | AFR-N-160 M5 | E01 | 38,31 | 5402088100 | AFR-N-160 F9 | E01 | 51,69 |
| 5402044000 | AFR-N-200/05 M5 | E01 | 41,50 | 5402054100 | AFR-N-200/05 F9 | E01 | 60,23 |
| 5402044100 | AFR-N-250/08 M5 | E01 | 60,74 | 5402054200 | AFR-N-250/08 F9 | E01 | 91,57 |
| 5402044200 | AFR-N-315/12 M5 | E01 | 89,68 | 5402054300 | AFR-N-315/12 F9 | E01 | 142,28 |
| 5402044300 | AFR-N-355/18 M5 | E01 | 99,57 | 5402054400 | AFR-N-355/18 F9 | E01 | 155,09 |
| 5402044400 | AFR-N-355/23 M5 | E01 | 116,72 | 5402054500 | AFR-N-355/23 F9 | E01 | 176,11 |
| 5402044500 | AFR-N-400/30 M5 | E01 | 154,27 | 5402054600 | AFR-N-400/30 F9 | E01 | 235,04 |
| 5402044600 | AFR-N-450/45 M5 | E01 | 179,91 | 5402054700 | AFR-N-450/45 F9 | E01 | 287,80 |
| 5402044700 | AFR-N-500/55 M5 | E01 | 237,71 | 5402054800 | AFR-N-500/55 F9 | E01 | 361,74 |
| 5402044900 | AFR-N-630/80 M5 | E01 | 360,25 | 5402054900 | AFR-N-630/80 F9 | E01 | 585,14 |
| Filtros AFR-N M5 CA (carbón activado) | | | | | | | |
| 5407074900 | AFR-N-125 M5CA | E01 | 66,40 | | | | |
| 5407075000 | AFR-N-160 M5CA | E01 | 75,33 | | | | |

IFL-G4



Cajas filtrantes, suministradas con filtros IFR-G4 incorporados.

| Código | Modelo | Grupo producto | Precio €/u. |
|------------|------------|----------------|-------------|
| 5132851700 | IFL-200 G4 | E01 | 256,15 |
| 5132851800 | IFL-225 G4 | E01 | 287,79 |
| 5132852100 | IFL-315 G4 | E01 | 328,43 |
| 5132852200 | IFL-355 G4 | E01 | 377,73 |
| 5132852300 | IFL-400 G4 | E01 | 436,21 |
| 5132852400 | IFL-450 G4 | E01 | 640,41 |

ACCESORIOS PARA CAJAS IFL-G4

IFR-G4

Filtros de recambio para montar en las cajas filtrantes IFL-G4.

| Código | Modelo | Grupo producto | Precio €/u. |
|------------|------------|----------------|-------------|
| 5132852500 | IFR-200 G4 | E01 | 50,48 |
| 5132852600 | IFR-225 G4 | E01 | 62,51 |
| 5132852900 | IFR-315 G4 | E01 | 110,31 |
| 5132853000 | IFR-355 G4 | E01 | 114,35 |
| 5132853100 | IFR-400 G4 | E01 | 118,05 |
| 5132853200 | IFR-450 G4 | E01 | 149,91 |

IFL-F



Cajas filtrantes, suministradas sin filtro incorporado, para montar filtros IFR-F.

| Código | Modelo | Grupo producto | Precio €/u. |
|------------|-----------|----------------|-------------|
| 5132850900 | IFL-200 F | E01 | 515,25 |
| 5132851000 | IFL-225 F | E01 | 551,26 |
| 5132851300 | IFL-315 F | E01 | 670,06 |
| 5132851400 | IFL-355 F | E01 | 767,59 |
| 5132851500 | IFL-400 F | E01 | 873,60 |
| 5132851600 | IFL-450 F | E01 | 1.074,56 |



IFR-F

Filtros para montar en las cajas filtrantes IFL-F.

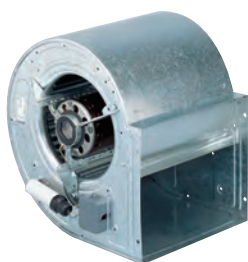
| Código | Modelo | Grupo producto | Precio €/u. | Código | Modelo | Grupo producto | Precio €/u. |
|------------|------------|----------------|-------------|------------|------------|----------------|-------------|
| 5132854000 | IFR-200 F5 | E01 | 121,96 | 5132861600 | IFR-200 F7 | E01 | 138,63 |
| 5132855700 | IFR-225 F5 | E01 | 129,47 | 5132861700 | IFR-225 F7 | E01 | 165,65 |
| 5132858100 | IFR-315 F5 | E01 | 172,39 | 5132862000 | IFR-315 F7 | E01 | 259,50 |
| 5132859900 | IFR-355 F5 | E01 | 186,47 | 5132862100 | IFR-355 F7 | E01 | 286,00 |
| 5132860700 | IFR-400 F5 | E01 | 195,29 | 5132862200 | IFR-400 F7 | E01 | 315,79 |
| 5132861500 | IFR-450 F5 | E01 | 211,11 | 5132862300 | IFR-450 F7 | E01 | 336,85 |

| | | | | |
|------------|------------|------------|-----|--------|
| (N) | 5132002500 | IFR-200 F9 | E01 | 160,99 |
| (N) | 5132002700 | IFR-225 F9 | E01 | 170,89 |
| (N) | 5132002100 | IFR-315 F9 | E01 | 227,56 |
| (N) | 5132002200 | IFR-355 F9 | E01 | 246,14 |
| (N) | 5132002300 | IFR-400 F9 | E01 | 257,78 |
| (N) | 5132002900 | IFR-450 F9 | E01 | 278,67 |

(N) NOVEDAD



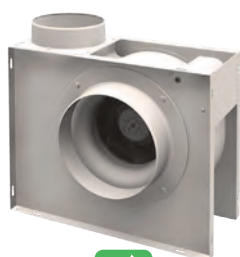
110 CBM pequeña



111 CBM



113 CBM-RE



115 CKB-N



116 PSB/PST PLUG SET



117 PFB/PFT



118 IFFT



119 CMPT (1)



120 CMPT (2)



124 CBT-N



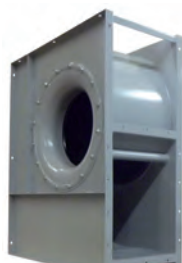
126 CMB/CMT

FERRARI
INDUSTRIAL FAN TECHNOLOGY



129 FR

FERRARI
INDUSTRIAL FAN TECHNOLOGY



133 FRC

FERRARI
INDUSTRIAL FAN TECHNOLOGY



137 FRP

FERRARI
INDUSTRIAL FAN TECHNOLOGY



138 MEC

Todos los motores incorporados en nuestros productos cumplen con el Reglamento CE nº 640/2009.



Serie capacitada para trabajar en continuo a la temperatura máxima indicada.



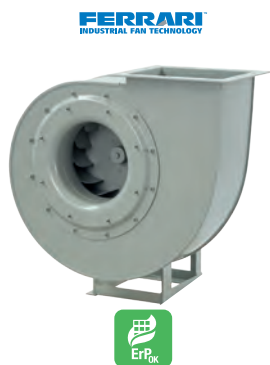
Serie que cumplen con la Directiva ErP.



Serie energéticamente eficientes.



Serie para ambientes corrosivos.



142 FQ



146 ART



150 VCM



154 FG-N



158 FI-N



162 FA-R



164 KM



168 CFMT-N



169 CFST



170 CFHT

Todos los motores incorporados en nuestros productos cumplen con el Reglamento CE nº 640/2009.



Serías capacitadas para trabajar en continuo a la temperatura máxima indicada.



Serías que cumplen con la Directiva ErP.



Serías energéticamente eficientes.

Serie CBM pequeña



Configuración simple aspiración



Configuración doble aspiración

Ventiladores centrífugos de baja presión fabricados en chapa de acero galvanizado protegida con pintura poliéster anticorrosiva, rodete de álabes hacia adelante, conjunto motor-rodete equilibrado dinámicamente, motor IP44, Clase B, con rodamientos a bolas de engrase permanente y protector térmico de rearme automático.

Motores

De rotor exterior con una muy buena regulación. De 2, 4 ó 6 polos según versiones. Tensión de alimentación Monofásicos 230V-50Hz

Otros datos

Bajo pedido, modelos con brida de acoplamiento montada a la salida del ventilador.



Es imprescindible comprobar que las características eléctricas (voltaje, intensidad, frecuencia, etc) del motor que aparecen en la placa del mismo son compatibles con las de la instalación.

| Código | Modelo | Potencia motor (W) | Velocidad (r.p.m.) | Condensador (µF / V) | Intensidad máxima absorbida (A) | Caudal máximo (m³/h) | Temperatura de trabajo (°C) | Nivel de presión sonora* (dB(A)) | Peso (kg) | Regulador de tensión opcional | | Grupo producto | Precio €/u. |
|------------------------|--------------------|--------------------|--------------------|----------------------|---------------------------------|----------------------|-----------------------------|----------------------------------|-----------|-------------------------------|-----|----------------|-------------|
| | | | | | | | | | | REB | RMB | | |
| SIMPLE OIDO DE 2 POLOS | | | | | | | | | | | | | |
| 5142000800 | CBM/2-133/046-90W | 90 | 2100 | 2/400 | 0,4 | 260 | -40/+60 | 57 | 2 | 1 | 1,5 | E01 | 155,11 |
| 5142001600 | CBM/2-133/062-100W | 100 | 2000 | 2/400 | 0,4 | 290 | -40/+40 | 54 | 2,2 | 1 | 1,5 | E01 | 168,06 |
| 5142002400 | CBM/2-140/059-100W | 100 | 1450 | 2/400 | 0,5 | 350 | -40/+40 | 49 | 2 | 1 | 1,5 | E01 | 202,98 |
| 5142003200 | CBM/2-140/059-155W | 155 | 2300 | 5/400 | 0,7 | 450 | -40/+45 | 60 | 2,8 | 1 | 1,5 | E01 | 230,73 |
| 5142037900 | CBM/2-160/062-280W | 280 | 2200 | 5/400 | 1,2 | 660 | -20/+45 | 64 | 3,6 | 2,5 | 1,5 | E01 | 241,69 |
| SIMPLE OIDO DE 4 POLOS | | | | | | | | | | | | | |
| 5142005700 | CBM/4-160/062-70W | 70 | 1340 | 2,5/400 | 0,3 | 450 | -20/+70 | 54 | 3,6 | 1 | 1,5 | E01 | 207,34 |
| 5142006500 | CBM/4-180/075-115W | 115 | 1250 | 3/400 | 0,6 | 650 | -20/+60 | 56 | 4,3 | 1 | 1,5 | E01 | 227,74 |
| 5142007300 | CBM/4-180/092-160W | 160 | 1275 | 4/400 | 0,9 | 980 | -40/+50 | 56 | 3,8 | 1 | 1,5 | E01 | 287,45 |
| DOBLE OIDO DE 2 POLOS | | | | | | | | | | | | | |
| 5142008100 | CBM/2-133/190-185W | 185 | 1850 | 5/400 | 0,8 | 630 | -40/+50 | 56 | 4,1 | 1 | 1,5 | E01 | 198,95 |
| 5142038000 | CBM/2-146/180-380W | 380 | 2000 | 8/450 | 1,7 | 1.090 | -40/+40 | 58 | 5 | 2,5 | 3,5 | E01 | 254,11 |
| DOBLE OIDO DE 4 POLOS | | | | | | | | | | | | | |
| 5142010700 | CBM/4-133/190-70W | 70 | 1150 | 2/400 | 0,3 | 730 | -20/+65 | 47 | 2,8 | 1 | 1,5 | E01 | 183,47 |
| 5142014900 | CBM/4-160/150-125W | 125 | 1150 | 3/400 | 0,5 | 790 | -40/+40 | 53 | 5,4 | 1 | 1,5 | E01 | 223,56 |
| 5142038300 | CBM/4-180/184-150W | 150 | 1200 | 4/450 | 1,0 | 1.320 | -40/+40 | 59 | 5,5 | 2,5 | 1,5 | E01 | 341,53 |
| DOBLE OIDO DE 6 POLOS | | | | | | | | | | | | | |
| 5142013100 | CBM/6-180/184-95W | 95 | 800 | 2/400 | 0,5 | 960 | -40/+60 | 50 | 5,3 | 1 | 1,5 | E01 | 296,09 |

* Nivel de presión sonora a descarga libre, medido en aspiración a 1,5 m en campo libre.

Serie CBM



Ventiladores centrífugos de doble aspiración con motor incorporado, fabricados en chapa de acero galvanizado y rodete de álabes hacia adelante, equilibrado dinámicamente.

Motores

Clase F, con condensador permanente.
De 4 ó 6 polos según versiones.

Tensión de alimentación

Monofásicos 230V-50Hz

Trifásicos 230/400V-50Hz

(Ver cuadro de características)

Otros datos

Con brida de descarga, bajo demanda.

Los pies soporte (accesorio), permiten cuatro posiciones de la boca de descarga.



Es imprescindible comprobar que las características eléctricas (voltaje, intensidad, frecuencia, etc) del motor que aparecen en la placa del mismo son compatibles con las de la instalación.

| Código | Modelo | Velocidad (polos) | Potencia motor (W) | Protección | Condensador (µF/V) | Intensidad máxima absorbida (A) | Caudal máximo (m³/h) | Temperatura máxima aire (°C) | Nivel de presión sonora* (dB(A)) | Peso (kg) | Regulador de tensión opcional | | Grupo producto | Precio €/u. |
|---------------------|------------------------|-------------------|--------------------|------------|--------------------|---------------------------------|----------------------|------------------------------|----------------------------------|-----------|-------------------------------|-----|----------------|-------------|
| | | | | | | | | | | | REB | RMB | | |
| MOTORES MONOFÁSICOS | | | | | | | | | | | | | | |
| 5128966800 | CBM-7/7 72W 6P C VR | 6 | 72 | IP44 | 3/450 | 0,6 | 1.080 | +50 | 51 | 6,7 | 1 | 1,5 | E01 | 413,88 |
| 5128986600 | CBM-7/7 147W 4P RE VR | 4 | 147 | IP44 | 7/450 | 1,2 | 1.470 | +40 | 63 | 6,9 | 2,5 | 3,5 | E01 | 475,81 |
| 5128987100 | CBM-9/9 200W 6P RE VR | 6 | 200 | IP55 | 5/450 | 1,8 | 2.760 | +40 | 63 | 14 | 2,5 | 3,5 | E01 | 744,41 |
| 5128992500 | CBM-9/9 373W 4P C VR | 4 | 373 | IP44 | 10/450 | 3,9 | 2.900 | +40 | 68 | 12,4 | 5 | 8 | E01 | 545,23 |
| 5128992600 | CBM-9/9 550W 4P C VR | 4 | 550 | IP44 | 25/450 | 3,9 | 3.270 | +40 | 69 | 14 | 5 | 8 | E01 | 629,57 |
| 5128992700 | CBM-10/10 245W 6P C VR | 6 | 245 | IP44 | 8/450 | 3,1 | 3.460 | +40 | 64 | 14,6 | 5 | 3,5 | E01 | 551,02 |
| 5128965900 | CBM-10/10 373W 4P C VR | 4 | 373 | IP44 | 25/450 | 4,5 | 3.390 | +40 | 66 | 15,3 | 5 | 8 | E01 | 620,91 |
| 5128956900 | CBM-10/10 550W 4P C VR | 4 | 550 | IP44 | 25/450 | 4,5 | 3.390 | +40 | 66 | 15,3 | 5 | 8 | E01 | 633,33 |
| 5128483400 | CBM-12/9 736W 6P C VR | 6 | 736 | IP44 | 20/450 | 5,0 | 4.590 | +40 | 70 | 24,2 | 10 | 8 | E01 | 950,07 |
| 5128992900 | CBM-12/12 550W 6P VR | 6 | 550 | IP20 | 18/450 | 7,1 | 5.570 | +40 | 67 | 21,5 | 10 | 8 | E01 | 769,95 |
| 5128992800 | CBM-12/12 736W 6P C VR | 6 | 736 | IP44 | 20/450 | 6,0 | 4.960 | +40 | 67 | 26,5 | 10 | 8 | E01 | 970,43 |

* Nivel de presión sonora medido en campo libre en la aspiración, a una distancia de 1,5 m.

| Código | Modelo | Velocidad (polos) | Potencia motor (W) | Protección | Intensidad máxima absorbida (A) | | Caudal máximo (m³/h) | Temperatura máxima aire (°C) | Nivel de presión sonora* (dB(A)) | Peso (kg) | Convertidor de frecuencia opcional VFTM | | Grupo producto | Precio €/u. |
|--------------------|-------------------------|-------------------|--------------------|------------|---------------------------------|------|----------------------|------------------------------|----------------------------------|-----------|---|--------------|----------------|-------------|
| | | | | | 230V | 400V | | | | | Red alimentación | | | |
| | | | | | | | | | | | 1/230V | 3/400V | | |
| MOTORES TRIFÁSICOS | | | | | | | | | | | | | | |
| 5128993000 | CBM-12/9 1100W 6PT C | 6 | 1100 | IP44 | 7,3 | 4,2 | 6.710 | +40 | 74 | 24,5 | VFTM MONO 1,5 | VFTM TRI 1,5 | E01 | 863,70 |
| 5128993100 | CBM-12/12 1100W 6PT C | 6 | 1100 | IP44 | 8,5 | 4,9 | 8.290 | +40 | 75 | 28,5 | VFTM MONO 1,5 | VFTM TRI 1,5 | E01 | 882,21 |
| 5128499000 | CBM-15/15 2200W 6PT C K | 6 | 2200 | IP55 | 8,8 | 5,1 | 9.100 | +40 | 72 | 43,2 | VFTM MONO 2,2 | VFTM TRI 2,2 | E01 | 1.316,63 |

* Nivel de presión sonora medido en campo libre en la aspiración, a una distancia de 1,5 m.

ACCESORIOS DE MONTAJE SERIE CBM

| Código | Modelo | Tipo CBM | Grupo producto | Precio €/u. |
|------------|--------------------------------|----------------------|----------------|-------------|
| | Pie Soporte (Juego de 2 pies) | | | |
| 5127199700 | PIE SOPORTE CBP/CBM 7/7 | CBM-7/7 | E01 | 14,53 |
| 5127233400 | PIE SOPORTE CBP/CBM 9/9 | CBM-9/9 | E01 | 15,37 |
| 5127234200 | PIE SOPORTE CBP/CBM 10/10 | CBM-10/10 | E01 | 22,92 |
| 5127235900 | PIE SOPORTE CBP/CBM 12/12 | CBM-12/9 y CBM-12/12 | E01 | 28,51 |
| | Defensas (Juego de 2 defensas) | | | |
| 5128907200 | DEF-CBM-7 | CBM-7/7 | E01 | 70,91 |
| 5128908000 | DEF-CBM-9 | CBM-9/9 | E01 | 102,56 |
| 5128909800 | DEF-CBM-10 | CBM-10/10 | E01 | 109,95 |
| 5128910600 | DEF-CBM-12 | CBM-12/9 y CBM-12/12 | E01 | 139,97 |
| 5128911400 | DEF-CBM-15 | CBM-15/15 | E01 | 183,18 |
| | Bridas de Descarga | | | |
| | BRIDA DESCARGA CBM 7/7 | CBM-7/7 | | |
| | BRIDA DESCARGA CBM 9/9 | CBM-9/9 | | |
| | BRIDA DESCARGA CBM 10/10 | CBM-10/10 | | |
| | BRIDA DESCARGA CBM 12/9 | CBM-12/9 | | |
| | BRIDA DESCARGA CBM 12/12 | CBM-12/12 | | |

Ver códigos, modelos y precios en la Serie CBM-RE.

ACCESORIOS DE MONTAJE SERIE CBM-RE

| Código | Modelo | Tipo CBM-RE / CBM | Grupo producto | Precio €/u. |
|------------|--------------------------------|----------------------------|----------------|-------------|
| | Pie Soporte (Juego de 2 pies) | | | |
| 5402055700 | PIE SOPORTE CBM-RE-7 | CBM-RE-7/7 y CBM-RE-7/9 | E01 | 15,28 |
| 5402055600 | PIE SOPORTE CBM-RE-9 | CBM-RE-9/7 y CBM-RE-9/9 | E01 | 22,19 |
| 5402055500 | PIE SOPORTE CBM-RE-10 | CBM-RE-10/8 y CBM-RE-10/10 | E01 | 24,32 |
| 5402055400 | PIE SOPORTE CBM-RE-12 | CBM-RE-12/9 y CBM-RE-12/12 | E01 | 28,71 |
| | Defensas (Juego de 2 defensas) | | | |
| 5128911500 | DEF-CBM-RE-7 | CBM-RE-7/7 y CBM-RE-7/9 | E01 | 86,54 |
| 5128911600 | DEF-CBM-RE-9 | CBM-RE-9/7 y CBM-RE-9/9 | E01 | 130,44 |
| 5128911700 | DEF-CBM-RE-10 | CBM-RE-10/8 y CBM-RE-10/10 | E01 | 138,77 |
| 5128911800 | DEF-CBM-RE-12 | CBM-RE-12/9 y CBM-RE-12/12 | E01 | 149,61 |
| | Bridas de Descarga | | | |
| 5128921300 | BRIDA DESCARGA CBM-7/7 | CBM-RE-7/7 y CBM-7/7 | E01 | 47,17 |
| 5128912000 | BRIDA DESCARGA CBM-7/9 | CBM-RE-7/9 | E01 | 47,66 |
| 5128922100 | BRIDA DESCARGA CBM-9/7 | CBM-RE-9/7 | E01 | 47,88 |
| 5128920500 | BRIDA DESCARGA CBM-9/9 | CBM-RE-9/9 y CBM-9/9 | E01 | 50,21 |
| 5128923900 | BRIDA DESCARGA CBM-10/8 | CBM-RE-10/8 | E01 | 51,22 |
| 5128924700 | BRIDA DESCARGA CBM-10/10 | CBM-RE-10/10 y CBM-10/10 | E01 | 53,10 |
| 5128925400 | BRIDA DESCARGA CBM-12/9 | CBM-RE-12/9 y CBM-12/9 | E01 | 54,12 |
| 5128926200 | BRIDA DESCARGA CBM-12/12 | CBM-RE-12/12 y CBM-12/12 | E01 | 56,83 |

Serie CBM-RE



Ventiladores centrífugos de doble aspiración con motor incorporado, fabricados en chapa de acero galvanizado, rodete de álabes hacia adelante, equilibrado dinámicamente, motor de rotor exterior con rodamientos a bolas y protector térmico.

Motores

IP44, Clase F (modelos 7/7 y 7/9).
IP55, Clase F (modelos 9/7 a 12/12).
IP54, Clase F (modelos 12/12 1100W y 15/15 2200W).
De 4 ó 6 polos según versiones.
Regulables por variación de tensión
Tensión de alimentación
Monofásicos 230V-50Hz, regulables mediante variador de tensión.
Trifásicos 230/400V-50Hz, regulables por convertidor de frecuencia.
(Ver cuadro de características)



Es imprescindible comprobar que las características eléctricas (voltaje, intensidad, frecuencia, etc) del motor que aparecen en la placa del mismo son compatibles con las de la instalación.

| Código | Modelo | Potencia motor (W) | Velocidad (r.p.m) | Equivalecia en mm. | Condensador (µF/V) | Intensidad máxima absorbida (m³/h) | Caudal máximo (m³/h) | Temperatura máxima aire (°C) | Nivel de presión sonora * (dB(A)) | Peso (kg) | Regulador de tensión opcional | | Grupo producto | Precio €/u. |
|--------|--------|--------------------|-------------------|--------------------|--------------------|------------------------------------|----------------------|------------------------------|-----------------------------------|-----------|-------------------------------|-----|----------------|-------------|
| | | | | | | | | | | | REB | RMB | | |

MOTORES MONOFÁSICOS

| | | | | | | | | | | | | | | |
|------------|-------------------------|-----|------|---------|---------|-----|-------|-----|----|------|-----|-----|-----|----------|
| 5128963200 | CBM-7/7 72W 6P RE VR | 72 | 900 | 180/180 | 2,5/450 | 0,6 | 1.440 | +70 | 56 | 6,5 | 1 | 1,5 | E01 | 475,81 |
| 5128986600 | CBM-7/7 147W 4P RE VR | 147 | 1400 | 180/180 | 7/450 | 1,2 | 1.470 | +40 | 63 | 6,9 | 2,5 | 3,5 | E01 | 475,81 |
| 5128983000 | CBM-7/7 300W 4P RE VR | 300 | 1400 | 180/180 | 8/450 | 2,1 | 2.380 | +60 | 66 | 7,2 | 2,5 | 3,5 | E01 | 564,22 |
| 5128964000 | CBM-7/9 72W 6P RE VR | 72 | 900 | 180/240 | 2/450 | 0,9 | 1.850 | +70 | 60 | 6,5 | 1 | 1,5 | E01 | 546,90 |
| 5128987600 | CBM-7/9 300W 4P RE VR | 300 | 1400 | 180/240 | 7/450 | 2,2 | 2.600 | +40 | 67 | 9,8 | 2,5 | 3,5 | E01 | 572,10 |
| 5128987800 | CBM-9/7 200W 6P RE VR | 200 | 900 | 240/180 | 5/450 | 1,4 | 2.090 | +40 | 63 | 13,5 | 2,5 | 1,5 | E01 | 735,75 |
| 5128988700 | CBM-9/7 245W 6P RE VR | 245 | 900 | 240/180 | 7/450 | 1,7 | 2.430 | +50 | 63 | 13,5 | 2,5 | 3,5 | E01 | 743,85 |
| 5128956200 | CBM-9/7 420W 4P RE VR | 420 | 1400 | 240/180 | 15/450 | 3,2 | 2.600 | +40 | 68 | 14,5 | 5 | 3,5 | E01 | 785,13 |
| 5128987100 | CBM-9/9 200W 6P RE VR | 200 | 900 | 240/240 | 5/450 | 1,8 | 2.760 | +40 | 63 | 14 | 2,5 | 3,5 | E01 | 744,41 |
| 5128988300 | CBM-9/9 245W 6P RE VR | 245 | 900 | 240/240 | 4/450 | 2,2 | 2.850 | +40 | 64 | 14,1 | 2,5 | 3,5 | E01 | 751,62 |
| 5128957400 | CBM-9/9 300W 4P RE VR | 300 | 1400 | 240/240 | 15/450 | 2,8 | 2.480 | +40 | 64 | 16,7 | 5 | 3,5 | E01 | 772,69 |
| 5128954300 | CBM-9/9 550W 4P RE VR | 550 | 1400 | 240/240 | 20/450 | 4,3 | 3.470 | +40 | 71 | 17,7 | 5 | 8 | E01 | 826,63 |
| 5128996900 | CBM-10/8 245W 6P RE VR | 245 | 900 | 270/200 | 9/450 | 2,8 | 3.490 | +40 | 67 | 14,9 | 5 | 3,5 | E01 | 778,68 |
| 5128987400 | CBM-10/8 515W 6P RE VR | 515 | 900 | 270/200 | 18/450 | 3,7 | 4.060 | +40 | 73 | 19,5 | 5 | 8 | E01 | 870,40 |
| 5128953800 | CBM-10/8 550W 4P RE VR | 550 | 1400 | 270/200 | 20/450 | 4,2 | 2.900 | +40 | 68 | 18,6 | 5 | 8 | E01 | 881,27 |
| 5128962100 | CBM-10/10 245W 6P RE VR | 245 | 900 | 270/270 | 9/450 | 2,8 | 3.370 | +40 | 64 | 16 | 5 | 3,5 | E01 | 827,26 |
| 5128982700 | CBM-10/10 515W 6P RE VR | 515 | 900 | 270/270 | 18/450 | 3,6 | 4.450 | +40 | 69 | 17,5 | 5 | 8 | E01 | 883,84 |
| 5128954200 | CBM-10/10 600W 4P RE VR | 600 | 1400 | 270/270 | 20/450 | 4,6 | 3.300 | +40 | 68 | 20,8 | 5 | 8 | E01 | 926,11 |
| 5128970400 | CBM-12/9 515W 6P RE VR | 515 | 900 | 320/240 | 18/450 | 4,1 | 4.195 | +40 | 65 | 21,5 | 5 | 8 | E01 | 962,65 |
| 5128979300 | CBM-12/9 750W 6P RE VR | 750 | 900 | 320/240 | 20/450 | 5,5 | 4.990 | +40 | 67 | 23,5 | 10 | 8 | E01 | 1.174,39 |
| 5128970300 | CBM-12/12 515W 6P RE VR | 515 | 900 | 320/320 | 18/450 | 4,2 | 4.540 | +40 | 66 | 22 | 5 | 8 | E01 | 974,66 |
| 5128979200 | CBM-12/12 750W 6P RE VR | 750 | 900 | 320/320 | 20/450 | 5,3 | 5.240 | +40 | 68 | 24 | 10 | 8 | E01 | 1.197,86 |

| Código | Modelo | Potencia motor (W) | Velocidad (r.p.m.) | Equivalecia en mm. | Intensidad máxima absorbida (m³/h) | Caudal máximo (m³/h) | Temperatura máxima aire (°C) | Nivel de presión sonora* (dB(A)) | Peso (kg) | Regulador de tensión opcional RMT | Convertidor frecuencia opcional VFTM | | Grupo producto | Precio €/u. |
|--------|--------|--------------------|--------------------|--------------------|------------------------------------|----------------------|------------------------------|----------------------------------|-----------|-----------------------------------|--------------------------------------|--------|----------------|-------------|
| | | | | | | | | | | | Red alimentación | | | |
| | | | | | | | | | | | 1/230V | 3/400V | | |

MOTORES TRIFÁSICOS

| | | | | | | | | | | | | | | | |
|------------|------------------------------|------|------|---------|------|-----|--------|-----|----|------|-----|----------------|---------------|-----|----------|
| 5128959700 | CBM-7/7 250W 4P T RE VR | 250 | 1400 | 180/180 | 1,2 | 0,7 | 2.320 | +65 | 65 | 7,1 | 1,5 | VFTM MONO 0,18 | VFTM TRI 0,37 | E01 | 620,63 |
| 5128959900 | CBM-9/7 550W 4P T RE VR | 550 | 1400 | 240/180 | 3,1 | 1,8 | 3.350 | +40 | 70 | 14 | 2,5 | VFTM MONO 0,37 | VFTM TRI 0,55 | E01 | 943,48 |
| 5128956300 | CBM-9/9 245W 6P T RE VR | 245 | 900 | 240/240 | 1,6 | 0,9 | 3.330 | +40 | 67 | 14,1 | 1,5 | VFTM MONO 0,37 | VFTM TRI 0,37 | E01 | 864,32 |
| 5128956800 | CBM-9/9 550W 4P T RE VR | 550 | 1400 | 240/240 | 5,5 | 3,2 | 4.830 | +40 | 75 | 14,1 | 5 | VFTM MONO 1,1 | VFTM TRI 1,1 | E01 | 950,62 |
| 5128953700 | CBM-10/8 245W 6P T RE VR | 245 | 900 | 270/200 | 1,9 | 1,1 | 3.470 | +40 | 68 | 14,9 | 1,5 | VFTM MONO 0,37 | VFTM TRI 0,37 | E01 | 895,67 |
| 5128954800 | CBM-10/8 350W 6P T RE VR | 350 | 900 | 270/200 | 2,8 | 1,6 | 4.330 | +40 | 73 | 14,9 | 2,5 | VFTM MONO 0,37 | VFTM TRI 0,55 | E01 | 951,89 |
| 5128956700 | CBM-10/8 550W 4P T RE VR | 550 | 1400 | 270/200 | 5,4 | 3,1 | 4.230 | +40 | 72 | 18,9 | 5 | VFTM MONO 1,1 | VFTM TRI 1,1 | E01 | 1.013,47 |
| 5128954000 | CBM-10/10 245W 6P T RE VR | 245 | 900 | 270/270 | 1,9 | 1,1 | 3.920 | +40 | 67 | 16 | 1,5 | VFTM MONO 0,37 | VFTM TRI 0,37 | E01 | 909,98 |
| 5128954700 | CBM-10/10 350W 6P T RE VR | 350 | 900 | 270/270 | 2,9 | 1,7 | 5.000 | +40 | 72 | 20 | 2,5 | VFTM MONO 0,37 | VFTM TRI 0,55 | E01 | 964,33 |
| 5128956600 | CBM-10/10 550W 4P T RE VR | 550 | 1400 | 270/270 | 5,0 | 2,9 | 4.010 | +40 | 70 | 20 | 5 | VFTM MONO 1,1 | VFTM TRI 1,1 | E01 | 1.023,49 |
| 5128956000 | CBM-10/10 750W 4P T RE VR | 750 | 1400 | 270/270 | 7,6 | 4,4 | 5.880 | +40 | 76 | 20 | 5 | VFTM MONO 1,5 | VFTM TRI 1,5 | E01 | 1.285,89 |
| 5128957500 | CBM-12/12 550W 6P T RE VR | 550 | 900 | 320/320 | 5,0 | 2,9 | 6.490 | +40 | 73 | 22 | 5 | VFTM MONO 1,1 | VFTM TRI 1,1 | E01 | 1.300,92 |
| 5128989900 | CBM-12/12 750W 6P T RE VR | 750 | 900 | 320/320 | 5,9 | 3,4 | 7.480 | +40 | 75 | 22 | 5 | VFTM MONO 1,1 | VFTM TRI 1,5 | E01 | 1.377,54 |
| 5128960900 | CBM-12/12 1100W 6P T RE VR | 1100 | 900 | 320/320 | 5,7 | 3,3 | 7.410 | +40 | 75 | 25 | 5 | VFTM MONO 1,1 | VFTM TRI 1,5 | E01 | 1.529,75 |
| 5128962800 | CBM-15/15 2200W 6P T RE VR K | 2200 | 900 | 380/380 | 12,2 | 7 | 11.650 | +40 | 75 | 43 | 8 | - | VFTM TRI 3 | E01 | 2.220,75 |

* Nivel de presión sonora medido en campo libre en la aspiración, a una distancia de 1,5 m.

Serie CBP



Ventiladores centrífugos de doble aspiración, fabricados en chapa de acero galvanizado, rodete de álabes hacia adelante y eje con salida por ambos lados para incorporar el motor a transmisión.

Otros datos

Disponibilidad de versiones dobles, triples, reforzadas o de simple oído.

Los pies soporte (accesorio) permiten cuatro posiciones de la boca de descarga.

Los modelos estándar no incorporan ni el motor ni la transmisión.

Bajo pedido se pueden suministrar con motor y transmisión; para ello debe indicarse la potencia del motor requerida y las revoluciones del rodete deseadas.

Es imprescindible comprobar que las características eléctricas (voltaje, intensidad, frecuencia, etc) del motor que aparecen en la placa del mismo son compatibles con las de la instalación.

| Código | Modelo | Equivalencia | Velocidad máxima recomendada (r.p.m.) | Caudal máximo (m ³ /h) | Peso (kg) | Grupo producto | Precio €/u. |
|------------|-----------|--------------|---------------------------------------|-----------------------------------|-----------|----------------|---------------|
| 5127307600 | CBP-7/7 | 180/180 | 2400 | 2.800 | 5 | E01 | 274,02 |
| 5127327400 | CBP-9/7 | 240/180 | 2500 | 6.000 | 8 | E01 | 289,97 |
| 5127308400 | CBP-9/9 | 240/240 | 2100 | 7.000 | 9 | E01 | 314,53 |
| 5127328200 | CBP-10/8 | 270/200 | 2500 | 6.500 | 10 | E01 | 325,51 |
| 5127309200 | CBP-10/10 | 270/270 | 1900 | 7.900 | 11 | E01 | 332,44 |
| 5127329000 | CBP-12/9 | 320/240 | 2000 | 8.000 | 14 | E01 | 418,46 |
| 5127310000 | CBP-12/12 | 320/320 | 1500 | 10.000 | 16 | E01 | 442,40 |
| 5127300100 | CBP-15/11 | 380/280 | 2000 | 12.500 | 20 | E01 | 480,17 |
| 5127130200 | CBP-15/15 | 380/380 | 1200 | 16.000 | 23 | E01 | 509,55 |
| 5127318300 | CBP-18/13 | 460/330 | 1200 | 18.500 | 28 | E01 | 636,81 |
| 5127135100 | CBP-18/18 | 460/460 | 950 | 22.000 | 33 | E01 | 667,90 |

ACCESORIOS DE MONTAJE

| Código | Modelo | Tipo CBP | Grupo producto | Precio €/u. |
|-------------------------------|--------------------------------|-----------------------|----------------|--------------|
| Pie Soporte (Juego de 2 pies) | | | | |
| 5127199700 | PIE SOPORTE CBP/CBM 7/7 | CBP-7/7 | E01 | 14,53 |
| 5127233400 | PIE SOPORTE CBP/CBM 9/9 | CBP-9/9 y CBP-9/7 | E01 | 15,37 |
| 5127234200 | PIE SOPORTE CBP/CBM 10/10 | CBP-10/10 y CBP-10/8 | E01 | 22,92 |
| 5127235900 | PIE SOPORTE CBP/CBM 12/12 | CBP-12/12 y CBP-12/9 | E01 | 28,51 |
| 5127203700 | PIE SOPORTE CBP/CBM 15/15 | CBP-15/15 y CBP-15/11 | E01 | 39,50 |
| 5127204500 | PIE SOPORTE CBP/CBM 18/18 | CBP-18/18 y CBM-18/13 | E01 | 49,97 |
| Soporte motor tensor | | | | |
| 5127252400 | SOPORTE MOTOR TENSOR 7/7 - 9/7 | CBP-7/7 y CBP-9/7 | E01 | 20,36 |
| 5127253200 | SOPORTE MOTOR TENSOR 9/9 | CBP-9/9 | E01 | 22,71 |
| 5127250800 | SOPORTE MOTOR TENSOR 10/8 | CBP-10/8 | E01 | 22,99 |
| 5127254000 | SOPORTE MOTOR TENSOR 10/10 | CBP-10/10 | E01 | 22,99 |
| 5127251600 | SOPORTE MOTOR TENSOR 12/9 | CBP-12/9 | E01 | 22,99 |
| 5127255700 | SOPORTE MOTOR TENSOR 12/12 | CBP-12/12 | E01 | 22,99 |
| 5127246600 | SOPORTE MOTOR TENSOR 15/11 | CBP-15/11 | E01 | 23,55 |
| 5127215100 | SOPORTE MOTOR TENSOR 15/15 | CBP-15/15 | E01 | 23,55 |
| 5127247400 | SOPORTE MOTOR TENSOR 18/13 | CBP-18/13 | E01 | 23,55 |
| 5127216900 | SOPORTE MOTOR TENSOR 18/18 | CBP-18/18 | E01 | 23,55 |

Serie CKB-N



Extractores centrífugos de simple aspiración, fabricados en chapa de acero protegida contra la corrosión con pintura epoxi-poliéster, rodete centrífugo de álabes hacia atrás de alta eficiencia, de material plástico (800 N) o chapa de acero galvanizada (1500 N), bridas circulares en aspiración y descarga, y compuerta antirretorno en la descarga.

Motores

Monofásicos 230V-50Hz, de rotor exterior, IP44, Clase F, con protector térmico incorporado. Regulables por variación de tensión. Pueden trabajar a temperaturas de hasta +70°C.



Es imprescindible comprobar que las características eléctricas (voltaje, intensidad, frecuencia, etc) del motor que aparecen en la placa del mismo son compatibles con las de la instalación.

| Código | Modelo | Velocidad (r.p.m.) | Potencia máxima absorbida (W) | Intensidad máxima absorbida (A) | Caudal máximo (m ³ /h) | Nivel de presión sonora* (dB(A)) | Peso (kg) | Grupo producto | Precio €/u. |
|------------|------------|--------------------|-------------------------------|---------------------------------|-----------------------------------|----------------------------------|-----------|----------------|-------------|
| 5211405600 | CKB-800 N | 2680 | 147 | 0,6 | 940 | 60 | 8 | E01 | 504,30 |
| 5211442000 | CKB-1500 N | 2730 | 282 | 1,2 | 1.460 | 65 | 14 | E01 | 613,49 |

* Nivel de presión sonora, medido en campo libre, medido a 1,5 metros.

Serie PSB/PST PLUG SET



Ventiladores centrífugos de álabes hacia atrás fabricados en poliamida, conjunto motor-rodete equilibrado dinámicamente, motor IP 44, con rodamientos a bolas de engrase permanente y protector térmico de rearme automático. Ofrecen la máxima eficiencia con los menores niveles sonoros de su categoría gracias a su patentado diseño aerodinámico. Se pueden montar en cualquier posición y son muy ligeros.

Incorporan la tornillería para su montaje. Especialmente diseñados para la ventilación de armarios eléctricos y de telecomunicaciones. Los modelos AC PSB/2 y PST/2 son regulables por variación de tensión.

Los modelos PSB/1 (motor DC) y PSB/3 (motor EC) incorporan, de serie, salida tacométrica y entrada analógica de control mediante una señal 0-10VDC o PWM.

Otros datos

Bajo pedido se pueden suministrar modelos PSB/3 (que disponen de motor EC), con sonda de presión incorporada.

Disponibles con defensa en la aspiración (IG) o sin ella.



Versiones disponibles según la tensión de alimentación

| Versiones | AC | | | DC | EC |
|-----------|----------------|--------------------|--------------------|-------------|----------------|
| | 1-230V-50/60Hz | 3-230/400V-50/60Hz | 3-230/460V-50/60Hz | 24VDC 48VDC | 1-230V-50/60Hz |

Es imprescindible comprobar que las características eléctricas (voltaje, intensidad, frecuencia, etc) del motor que aparecen en la placa del mismo son compatibles con las de la instalación.

| Código | Modelo | Potencia (W) | Velocidad (r.p.m.) | Conden-sador | Inten-sidad máx. (A) | Caudal máximo (m³/h) | Tempe-ratura máx. (°C) | Nivel de presión sonora* (dB(A)) | Peso (kg) | Regulador | | | Grupo producto | Precio €/u. |
|-------------|-----------------------------|--------------|--------------------|--------------|----------------------|----------------------|------------------------|----------------------------------|-----------|-----------|-----|-------------|----------------|-------------|
| | | | | | | | | | | REB | RMT | REB-ECOWATT | | |
| MONOFÁSICOS | | | | | | | | | | | | | | |
| 5505000500 | PSB/1-190/060 24VDC IG | 64 | 2921 | | 2,6 | 630 | -20/+50 | 58 | 1,3 | | | • | E01 | 201,34 |
| 5505000800 | PSB/1-190/060 48VDC | 59 | 2894 | | 1,2 | 635 | -20/+50 | 59 | 1,3 | | | • | E01 | 200,33 |
| 5505002600 | PSB/1-250/084 48VDC | 177 | 2629 | | 3,8 | 1.300 | -20/+50 | 67 | 3,5 | | | • | E01 | 295,15 |
| 5505000700 | PSB/2-190/060 115VAC | 74 | 2620 | 6/250 | 0,66 | 560 | -40/+70 | 57 | 1,7 | 1 | | | E01 | 168,09 |
| 5505000300 | PSB/2-190/060 230VAC | 64 | 2590 | 2/400 | 0,3 | 580 | -40/+70 | 55 | 1,6 | 1 | | | E01 | 151,34 |
| 5505000200 | PSB/2-190/060 230VAC IG | 59 | 2533 | 2/400 | 0,25 | 540 | -40/+70 | 57 | 1,7 | 1 | | | E01 | 152,41 |
| 5505000600 | PSB/2-190/060 230VAC IG 3V | 67/48/40 | 2535/2233/1562 | 2/400 | 0,3/0,2/0,2 | 550 | -40/+70 | 60 | 1,6 | 1 | | | E01 | 168,51 |
| 5505000100 | PSB/3-190/060 230VEC 1H0 | 98 | 3275 | | 0,7 | 760 | -20/+60 | 63 | 1,7 | | | • | E01 | 251,48 |
| 5505000000 | PSB/3-190/060 230VEC 1H0 IG | 95 | 3275 | | 0,7 | 700 | -20/+60 | 64 | 1,7 | | | • | E01 | 252,50 |
| 5505000900 | PSB/2-225/088 230VAC | 152 | 2792 | 4/400 | 0,6 | 1.180 | -40/+60 | 63 | 3,4 | 1 | | | E01 | 211,86 |
| 5505001300 | PSB/2-225/088 230VAC IG | 144 | 2814 | 4/400 | 0,6 | 1.060 | -40/+60 | 63 | 3,4 | 1 | | | E01 | 213,15 |
| 5505001100 | PSB/3-225/088 230VEC 2H0 | 167 | 2900 | | 1,1 | 1.270 | -20/+50 | 68 | 3,4 | | | • | E01 | 496,81 |
| 5505001200 | PSB/3-225/088 230VEC 2H0 IG | 166 | 2900 | | 1,1 | 1.220 | -20/+50 | 68 | 3,4 | | | • | E01 | 498,06 |
| 5505002900 | PSB/3-225/088 PS EC 2H0 | 167 | 2900 | | 1,1 | 1.270 | -20/+50 | 68 | 3,4 | | | • | E01 | 698,47 |
| 5505001600 | PSB/2-250/084 230VAC | 266 | 2694 | 5/400 | 1,0 | 1.375 | -40/+60 | 70 | 3,8 | 2,5 | | | E01 | 230,24 |
| 5505001800 | PSB/2-250/084 230VAC IG | 266 | 2694 | 5/400 | 1,0 | 1.340 | -40/+60 | 70 | 3,8 | 2,5 | | | E01 | 232,17 |
| 5505001700 | PSB/3-250/084 230VEC 2H0 | 207 | 2649 | | 1,4 | 1.340 | -20/+50 | 67 | 3,8 | | | • | E01 | 554,75 |
| 5505001900 | PSB/3-250/084 230VEC 2H0 IG | 202 | 2648 | | 1,3 | 1.290 | -20/+50 | 67 | 3,8 | | | • | E01 | 556,69 |
| 5505003000 | PSB/3-250/084 PS EC 2H0 | 207 | 2649 | | 1,4 | 1.350 | -20/+50 | 67 | 3,8 | | | • | E01 | 747,33 |
| TRIFÁSICOS | | | | | | | | | | | | | | |
| 5505001000 | PST/2-190/060 230/400VAC | 64 | 2537 | | 0,19/0,11 | 580 | -40/+60 | 55 | 1,6 | | 1,5 | | E01 | 145,54 |
| 5505002200 | PST/2-190/060 230/400VAC IG | 64 | 2537 | | 0,19/0,11 | 585 | -40/+60 | 57 | 1,6 | | 1,5 | | E01 | 146,57 |
| 5505002300 | PST/2-225/088 230/400VAC | 152 | 2676 | | 0,52/0,3 | 1.100 | -40/+60 | 63 | 3,4 | | 1,5 | | E01 | 210,90 |
| 5505001400 | PST/2-225/088 230/400VAC IG | 152 | 2676 | | 0,52/0,3 | 1.045 | -40/+60 | 65 | 3,4 | | 1,5 | | E01 | 212,31 |
| 5505002400 | PST/2-250/084 230/400VAC | 244 | 2739 | | 0,8/0,5 | 1.600 | -40/+60 | 67 | 3,9 | | 1,5 | | E01 | 260,97 |
| 5505002100 | PST/2-250/084 230/400VAC IG | 244 | 2739 | | 0,8/0,5 | 1.550 | -40/+60 | 70 | 3,9 | | 1,5 | | E01 | 262,82 |

* Nivel de presión sonora medido en campo libre en la aspiración, a una distancia de 1,5 m.

Serie PFB/PFT



Ventiladores radiales de álabes hacia atrás, fabricados en chapa de acero en construcción tipo Plug Fan, con motor EC de rotor exterior, conjunto motor-rodete equilibrado dinámicamente, motores IP44 o IP54, según modelo, equipados con protector térmico y rodamientos engrasados de por vida. Ofrecen la máxima eficiencia con los menores niveles sonoros de su categoría gracias a su patentado diseño aerodinámico. Se pueden montar en cualquier posición, son muy ligeros, su diseño compacto permite su uso en multitud de aplicaciones, especialmente para la ventilación de armarios eléctricos y de telecomunicaciones. Regulación mediante entrada 0-10V / 4-20 mA / PWM y RS-485 ModBus-RTU. Todos los modelos disponen de sonda diferencial de presión.

Es imprescindible comprobar que las características eléctricas (voltaje, intensidad, frecuencia, etc) del motor que aparecen en la placa del mismo son compatibles con las de la instalación.

| Código | Modelo | Potencia (W) | Velocidad (r.p.m.) | Intensidad máx. (A) | Caudal máximo (m³/h) | Presión (Pa) | Peso (kg) | Tensión (V) | Frecuencia (Hz) | IP | Temperatura (°C) | Nivel de presión sonora (dB(A)) | Grupo producto | Precio €/u. |
|--------------------|------------------|--------------|--------------------|---------------------|----------------------|--------------|-----------|-------------|-----------------|----|------------------|---------------------------------|----------------|-----------------|
| MONOFÁSICOS | | | | | | | | | | | | | | |
| 5509208100 | PFB/3-225/063D 4 | 660 | 4.000 | 2,9 | 2.200 | 1.200 | 9,6 | 230 V | 50/60 Hz | 44 | -20/+40 | 90 | E01 | 1.565,73 |
| 5509330200 | PFB/3-250/071D 4 | 850 | 3.700 | 3,7 | 2.800 | 1.250 | 10,5 | 230 V | 50/60 Hz | 44 | -20/+40 | 89 | E01 | 1.606,33 |
| 5509330300 | PFB/3-280/080D 4 | 810 | 2.930 | 3,5 | 3.400 | 980 | 11 | 230 V | 50/60 Hz | 44 | -20/+40 | 87 | E01 | 1.645,40 |
| 5509330400 | PFB/3-315/090D 4 | 760 | 2.450 | 3,7 | 3.900 | 850 | 13,7 | 230 V | 50/60 Hz | 44 | -20/+40 | 86 | E01 | 1.705,65 |
| 5509330500 | PFB/3-355/100D 4 | 600 | 1.850 | 2,6 | 4.400 | 630 | 13 | 230 V | 50/60 Hz | 44 | -20/+40 | 82 | E01 | 1.729,06 |
| 5730031200 | PFB/3-355/100D 6 | 1.010 | 2.150 | 4,2 | 4.900 | 920 | 22,2 | 230 V | 50/60 Hz | 54 | -20/+40 | 87 | E01 | 2.034,96 |
| 5730032100 | PFB/3-400/112D 6 | 1.010 | 1.175 | 4,2 | 5.820 | 780 | 23 | 230 V | 50/60 Hz | 54 | -20/+40 | 84 | E01 | 2.054,34 |
| 5730031900 | PFB/3-450/125D 6 | 990 | 1.450 | 4,2 | 7.250 | 620 | 29,2 | 230 V | 50/60 Hz | 54 | -20/+40 | 83 | E01 | 2.122,92 |
| 5730032000 | PFB/3-500/140D 6 | 1.030 | 1.210 | 4,3 | 8.250 | 560 | 30,5 | 230 V | 50/60 Hz | 54 | -20/+40 | 80 | E01 | 2.366,73 |
| TRIFÁSICOS | | | | | | | | | | | | | | |
| 5509208200 | PFT/3-225/063D 4 | 1.030 | 4.700 | 1,9 | 2.550 | 1.600 | 9,6 | 400 V | 50/60 Hz | 44 | -20/+50 | 91 | E01 | 1.748,88 |
| 5509208300 | PFT/3-250/071D 4 | 1.021 | 4.000 | 1,8 | 3.100 | 1.450 | 10,5 | 400 V | 50/60 Hz | 44 | -20/+40 | 90 | E01 | 1.789,50 |
| 5509208400 | PFT/3-280/080D 4 | 1.030 | 3.300 | 1,9 | 3.600 | 1.250 | 11 | 400 V | 50/60 Hz | 44 | -20/+40 | 90 | E01 | 1.841,59 |
| 5509208500 | PFT/3-315/090D 4 | 780 | 2.450 | 3 | 4.100 | 840 | 13,7 | 400 V | 50/60 Hz | 44 | -20/+40 | 86 | E01 | 1.908,21 |
| 5509208600 | PFT/3-355/100D 4 | 641 | 1.850 | 1,2 | 4.300 | 600 | 14 | 400 V | 50/60 Hz | 44 | -20/+40 | 82 | E01 | 1.912,30 |
| 5509208700 | PFT/3-400/112D 4 | 495 | 1.350 | 0,9 | 4.700 | 440 | 14,8 | 400 V | 50/60 Hz | 44 | -20/+50 | 76 | E01 | 1.984,28 |
| 5730004300 | PFT/3-355/100D 6 | 1.476 | 2.425 | 2,6 | 5.500 | 1.050 | 22,7 | 400 V | 50/60 Hz | 54 | -20/+40 | 90 | E01 | 2.235,46 |
| 5730004200 | PFT/3-400/112D 6 | 1.313 | 1.920 | 2,1 | 6.400 | 850 | 23,5 | 400 V | 50/60 Hz | 54 | -20/+40 | 86 | E01 | 2.317,73 |
| 5730004700 | PFT/3-450/125D 6 | 1.380 | 1.600 | 2,2 | 7.800 | 725 | 29,7 | 400 V | 50/60 Hz | 54 | -20/+40 | 86 | E01 | 2.410,27 |
| 5730003900 | PFT/3-500/140D 6 | 1.150 | 1.192 | 2,1 | 8.500 | 580 | 31 | 400 V | 50/60 Hz | 54 | -20/+40 | 78 | E01 | 2.610,50 |
| 5730004500 | PFT/3-355/100D 5 | 2.491 | 2.910 | 3,7 | 6.400 | 1.500 | 24,3 | 400 V | 50/60 Hz | 54 | -20/+40 | 94 | E01 | 2.550,17 |
| 5730004600 | PFT/3-400/112D 5 | 2.161 | 2.240 | 3,2 | 7.400 | 1.160 | 24,9 | 400 V | 50/60 Hz | 54 | -20/+40 | 90 | E01 | 2.631,09 |
| 5730004400 | PFT/3-500/140D 7 | 2.885 | 1.725 | 4,3 | 11.100 | 1.050 | 40,6 | 400 V | 50/60 Hz | 54 | -20/+40 | 95 | E01 | 2.917,72 |
| 5730005100 | PFT/3-560/160D 7 | 2.731 | 1.380 | 3,9 | 13.000 | 850 | 42,1 | 400 V | 50/60 Hz | 54 | -20/+40 | 91 | E01 | 2.952,48 |
| 5730005200 | PFT/3-630/180D 7 | 2.144 | 1.050 | 3,2 | 14.800 | 630 | 44 | 400 V | 50/60 Hz | 54 | -20/+40 | 90 | E01 | 3.101,93 |

Serie IFFT



Ventiladores centrífugos de impulso, Jet Fans, concebidos para mover grandes volúmenes de aire, a temperatura ambiente.

Descripción

Empuje: 50, 75 y 100N.
Hélice de álabes hacia atrás de acero galvanizado, equilibrada de acuerdo con la ISO 1940-1, G6.3.
Camisa de acero galvanizado, con dos soportes de sujeción.
Caja de conexiones exterior.
Defensa en aspiración.

Motores

IEC, del 80 al 90, trifásico 400V/50Hz, IP55, Clase F.
Dos velocidades 4/8 polos, conexión tipo Dahlander.
Temperatura ambiente de trabajo: -20°C a +40°C.

Bajo pedido

En sustitución de la caja de conexiones, interruptor de seguridad paro-marcha IP65, instalado en fábrica.
Pinturas externas RAL.

Es imprescindible comprobar que las características eléctricas (voltaje, intensidad, frecuencia, etc) del motor que aparecen en la placa del mismo son compatibles con las de la instalación.

| Código | Modelo | Nº de polos | Velocidad (r.p.m.) | Empuje (N) | Caudal (m³/h) | Potencia motor (kW) | Intensidad absorbida (A) | Intensidad de arranque (A) | Nivel de presión sonora* (LpA) | Peso (kg) | Grupo producto | Precio €/u. |
|------------|-----------------|-------------|--------------------|------------|---------------|---------------------|--------------------------|----------------------------|--------------------------------|-----------|----------------|-----------------|
| 5143962900 | IFFT/4/8-50N-C | 4/8 | 1345/710 | 50/13 | 5.500/2.880 | 1,21/0,20 | 3,0/1,1 | 9,8/2,4 | 75/59 | 76 | E01 | 2.629,91 |
| 5143923500 | IFFT/4/8-75N-C | 4/8 | 1420/710 | 75/19 | 8.300/4.150 | 2,3/0,37 | 5,4/1,9 | 30/7,5 | 77/61 | 120 | E01 | 3.343,41 |
| 5143923600 | IFFT/4/8-100N-C | 4/8 | 1420/710 | 95/24 | 8.900/4.450 | 2,3/0,37 | 6,0/2,0 | 30/7,5 | 78/63 | 120 | E01 | 3.683,31 |

* Medida a 3 metros en campo libre.

Serie CMPB/CMPT (1)



Ventiladores centrífugos de simple aspiración, capacitados para trasegar gases corrosivos, fabricados en propileno, con rodete de álabes hacia adelante directamente acoplado al eje motor, IP55, Clase F y protector térmico incorporado. Temperatura de trabajo de -10°C a +60°C.

Motores

De 2 ó 4 polos, según versiones.
Tensión de alimentación.
Trifásicos 230/400V-50Hz
Monofásicos 230V-50Hz, bajo demanda.

Otros datos

Bajo demanda, ejecuciones especiales en PVC para vehicular vapores de cromo y derivados (modelos 160 a 355).
Voluta orientable.
Orientación estándar: LGO.

CMPT(1) versiones ATEX

Versiones ATEX disponibles para modelos trifásicos. Para trabajar a temperaturas de -10°C a +40°C.

Motor IP55, Clase F.

- ATEX AntideFlagrantes - Gas

⊕ II 2G Exd IIB T4

⊕ II 2G Exd IIB+H2 T4 (con motor Exd IIC T4)

En versión ATEX estándar, los motores antideFlagrantes se entregan sin protección térmica.

Para utilizar con convertidor de frecuencia pedir motores antideFlagrantes con protector térmico tipo PTC.

- ATEX Seguridad aumentada - Gas

⊕ II 2G Exe II T3

Para seleccionar modelos CMPT(1), ver los datos de características técnicas, o bien el programa de selección de producto EasyVent.

Los datos eléctricos de los modelos ATEX pueden variar respecto a los datos indicados en las tablas características.

Consulte la disponibilidad de otras versiones de motores ATEX.

Aplicaciones Específicas



Ambientes corrosivos



Versiones

Es imprescindible comprobar que las características eléctricas (voltaje, intensidad, frecuencia, etc) del motor que aparecen en la placa del mismo son compatibles con las de la instalación.

| Código | Modelo | Velocidad (r.p.m.) | Potencia motor (kW) | Intensidad (A) | | Caudal máximo (m³/h) | Nivel de presión sonora* (dB(A)) | Peso (kg) | Grupo producto | Precio €/u. |
|---------------------|------------|--------------------|---------------------|----------------|---------|----------------------|----------------------------------|-----------|----------------|-------------|
| | | | | a 230 V | a 400 V | | | | | |
| MONOFÁSICOS 2 POLOS | | | | | | | | | | |
| 5130080400 | CMPB/2-140 | 2700 | 0,09 | 1,15 | - | 615 | 60 | 6 | E01 | 1.298,71 |
| 5130083800 | CMPB/2-160 | 2850 | 0,37 | 2,87 | - | 1.150 | 69 | 11 | E01 | 1.464,87 |
| 5130078900 | CMPB/2-200 | 2820 | 1,50 | 10,00 | - | 3.100 | 81 | 17 | E01 | 2.336,65 |
| MONOFÁSICOS 4 POLOS | | | | | | | | | | |
| 5130088700 | CMPB/4-160 | 1370 | 0,25 | 2,30 | - | 830 | 54 | 11 | E01 | 1.365,70 |
| 5130087900 | CMPB/4-200 | 1350 | 0,37 | 3,06 | - | 1.850 | 66 | 18 | E01 | 1.935,31 |
| 5130099400 | CMPB/4-250 | 1350 | 1,50 | 9,90 | - | 3.650 | 69 | 29 | E01 | 3.187,64 |
| TRIFÁSICOS 2 POLOS | | | | | | | | | | |
| 5130061400 | CMPT/2-140 | 2800 | 0,09 | 0,5 | 0,4 | 615 | 60 | 6 | E01 | 1.258,28 |
| 5130062200 | CMPT/2-160 | 2800 | 0,37 | 1,6 | 1,0 | 1.150 | 69 | 11 | E01 | 1.368,51 |
| 5130063000 | CMPT/2-200 | 2900 | 1,5 | 5,0 | 2,9 | 3.100 | 81 | 18 | E01 | 2.124,19 |
| TRIFÁSICOS 4 POLOS | | | | | | | | | | |
| 5130064800 | CMPT/4-160 | 1365 | 0,25 | 1,3 | 0,7 | 830 | 54 | 11 | E01 | 1.272,96 |
| 5130065500 | CMPT/4-200 | 1375 | 0,37 | 1,7 | 1,0 | 1.850 | 66 | 18 | E01 | 1.843,30 |
| 5130066300 | CMPT/4-250 | 1435 | 1,5 | 5,7 | 3,3 | 3.650 | 69 | 35 | E01 | 2.955,11 |
| 5130067100 | CMPT/4-315 | 1450 | 2,2 | 7,9 | 4,6 | 5.800 | 77 | 60 | E01 | 8.637,47 |
| 5130093100 | CMPT/4-355 | 1445 | 4 | 15,2 | 8,8 | 8.300 | 86 | 74 | E01 | 10.865,21 |

* a 1,5 m en campo libre.

ACCESORIOS DE MONTAJE ESPECÍFICOS



CARP
Cierres manuales circulares.



CTP
Sombretetes de salida.



MFP
Acomplamientos elásticos circulares.



APP
Viseras circulares antipájaros.



ACP
Acomplamientos Rectangulares-Circulares.



CMP
Cubremotores.

| Código | Modelo | Grupo producto | Precio €/u. |
|-------------------------------------|----------|----------------|-------------|
| Cierres Manuales Circulares | | | |
| 5130309800 | CARP-140 | E01 | 269,01 |
| 5130309900 | CARP-160 | E01 | 275,33 |
| 5130310000 | CARP-200 | E01 | 277,64 |
| 5130310100 | CARP-250 | E01 | 317,93 |
| 5130310200 | CARP-315 | E01 | 498,99 |
| 5130310300 | CARP-355 | E01 | 558,56 |
| Sombretetes | | | |
| 5130309200 | CTP-140 | E01 | 539,91 |
| 5130309300 | CTP-160 | E01 | 543,13 |
| 5130309400 | CTP-200 | E01 | 557,85 |
| 5130309500 | CTP-250 | E01 | 618,23 |
| 5130309600 | CTP-315 | E01 | 723,65 |
| 5130309700 | CTP-355 | E01 | 898,77 |
| Acomplamientos Elásticos Circulares | | | |
| 5130310400 | MFP-140 | E01 | 43,66 |
| 5130310500 | MFP-160 | E01 | 45,28 |
| 5130310600 | MFP-200 | E01 | 48,51 |
| 5130310700 | MFP-250 | E01 | 52,50 |
| 5130310800 | MFP-315 | E01 | 57,72 |
| 5130310900 | MFP-355 | E01 | 62,69 |

| Código | Modelo | Grupo producto | Precio €/u. |
|---|---------|----------------|-------------|
| Viseras Circulares Antipájaros | | | |
| 5130311000 | APP-140 | E01 | 330,92 |
| 5130311100 | APP-160 | E01 | 332,51 |
| 5130311200 | APP-200 | E01 | 350,37 |
| 5130311300 | APP-250 | E01 | 388,65 |
| 5130311400 | APP-315 | E01 | 465,27 |
| 5130311500 | APP-355 | E01 | 512,24 |
| Acomplamientos Rectangulares-Circulares | | | |
| 5130311600 | ACP-315 | E01 | 771,90 |
| 5130311700 | ACP-355 | E01 | 888,02 |
| Cubremotores | | | |
| 5130272200 | CMP-140 | E01 | 161,99 |
| 5130272300 | CMP-160 | E01 | 163,49 |
| 5130272400 | CMP-200 | E01 | 184,10 |
| 5130272500 | CMP-250 | E01 | 216,10 |
| 5130272600 | CMP-315 | E01 | 291,06 |
| 5130899400 | CMP-355 | E01 | 302,96 |

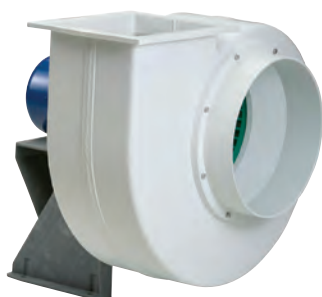
Serie CMPB/CMPT (2)



Configuración descarga circular



Configuración descarga rectangular.
Modelos 50, 60 y 70



Configuración descarga rectangular

Ventiladores centrífugos de simple aspiración, capacitados para trasegar gases corrosivos, fabricados con carcasa de polipropileno inyectado resistente a los rayos UV, rodete de álabes hacia adelante de polipropileno, soporte motor, junta anticorrosiva y antifuga de gases, tornillería de acero inoxidable, motor IP55, Clase F. Temperatura de trabajo entre -10 y 60 °C.

Motores

Clase IE3 para potencias de 0,75 kW o superiores.

De 2, 4, 6 ó 8 polos, según modelos.

Modelos trifásicos regulables por convertidor de frecuencia.

Tensión de alimentación.

Trifásicos 230/400V-50Hz

Monofásicos 230V-50Hz, hasta

1,1 kW.

[Ver cuadro de características.]

Otros datos

Voluta con 8 distintas orientaciones posibles.

Orientación estándar LG0.

Material del soporte motor:

- Nylon (modelos 14 a 25)

- Polipropileno (modelos 30 y 35)

- Chapa de acero (modelos 42 a 70)

Bajo demanda, modelos con:

- Voluta con desague de condensaciones.

- Orientación RD (excepto para los modelos 14, 20A y 30A).

- Motores de 2 velocidades.

Para versiones ATEX, ver Serie CMPT

ATEX

Aplicaciones Específicas



Ambientes corrosivos

Es imprescindible comprobar que las características eléctricas (voltaje, intensidad, frecuencia, etc) del motor que aparecen en la placa del mismo son compatibles con las de la instalación.

| Código | Modelo | Velocidad (r.p.m.) | Tamaño motor (mm) | Potencia nominal del motor (kW) | Intensidad nominal (A) | | Caudal máximo (m³/h) | Nivel de presión sonora* (dB(A)) | Peso (kg) | Grupo producto | Precio €/u. |
|---------------------|-----------------|--------------------|-------------------|---------------------------------|------------------------|------|----------------------|----------------------------------|-----------|----------------|-------------|
| | | | | | 230V | 400V | | | | | |
| MONOFÁSICOS 2 POLOS | | | | | | | | | | | |
| 5154002900 | CMPB/2-14-0,18 | 2900 | 63 | 0,18 | 1,53 | - | 730 | 60 | 4 | E01 | 872,61 |
| 5154003000 | CMPB/2-20-1,1 | 2900 | 80 | 1,1 | 7,9 | - | 2.100 | 72 | 13 | E01 | 1.226,61 |
| 5154003100 | CMPB/2-20A-0,55 | 2900 | 71 | 0,55 | 4,21 | - | 900 | 68 | 11 | E01 | 1.213,18 |
| MONOFÁSICOS 4 POLOS | | | | | | | | | | | |
| 5154003200 | CMPB/4-14-0,18 | 1470 | 63 | 0,05** | 0,25 | - | 350 | 45 | 4 | E01 | 898,83 |
| 5154003300 | CMPB/4-20-0,12 | 1450 | 63 | 0,12 | 1,2 | - | 1.220 | 60 | 8 | E01 | 1.263,84 |
| 5154003400 | CMPB/4-23-0,55 | 1450 | 80 | 0,55 | 1,7 | - | 2.560 | 64 | 15 | E01 | 1.552,13 |
| 5154003500 | CMPB/4-24-0,55 | 1450 | 80 | 0,55 | 1,7 | - | 2.400 | 61 | 15 | E01 | 1.658,73 |
| 5154003600 | CMPB/4-25-0,55 | 1450 | 80 | 0,55 | 1,7 | - | 2.680 | 60 | 15 | E01 | 1.658,73 |
| 5154003700 | CMPB/4-30-1,1 | 1420 | 90 | 1,1 | 7 | - | 4.240 | 69 | 29 | E01 | 2.434,14 |
| 5154003800 | CMPB/4-25M-0,55 | 1450 | 80 | 0,55 | 1,7 | - | 1.700 | 63 | 15 | E01 | 1.599,40 |
| 5154003900 | CMPB/4-20A-0,18 | 1450 | 63 | 0,12 | 0,5 | - | 530 | 54 | 9 | E01 | 1.183,80 |
| 5154004000 | CMPB/4-25A-0,25 | 1430 | 71 | 0,25 | 2,1 | - | 1.100 | 66 | 10 | E01 | 1.455,38 |
| 5154004100 | CMPB/4-30A-0,55 | 1450 | 80 | 0,55 | 1,7 | - | 2.060 | 68 | 20 | E01 | 3.832,09 |
| MONOFÁSICOS 6 POLOS | | | | | | | | | | | |
| 5154004200 | CMPB/6-20-0,18 | 950 | 71 | 0,18 | 1,6 | - | 850 | 51 | 8 | E01 | 1.183,59 |
| 5154004300 | CMPB/6-23-0,18 | 950 | 71 | 0,18 | 1,6 | - | 1.660 | 55 | 13 | E01 | 1.584,46 |
| 5154004400 | CMPB/6-24-0,18 | 950 | 71 | 0,18 | 1,6 | - | 1.630 | 52 | 13 | E01 | 1.691,04 |
| 5154004500 | CMPB/6-25-0,18 | 950 | 71 | 0,18 | 1,6 | - | 1.810 | 51 | 13 | E01 | 1.691,04 |
| 5154004600 | CMPB/6-30-0,37 | 950 | 80 | 0,37 | 2,7 | - | 2.760 | 60 | 25 | E01 | 2.333,68 |
| 5154004700 | CMPB/6-35-1,1 | 950 | 100 | 1,1 | 7,2 | - | 4.780 | 64 | 42 | E01 | 3.245,59 |
| 5154004800 | CMPB/6-25M-0,18 | 950 | 71 | 0,18 | 1,6 | - | 1.200 | 54 | 13 | E01 | 1.631,67 |
| TRIFÁSICOS 2 POLOS | | | | | | | | | | | |
| 5154000000 | CMPT/2-14-0,18 | 2900 | 63 | 0,18 | 0,97 | 0,56 | 730 | 60 | 4 | E01 | 878,77 |
| 5154000100 | CMPT/2-20-1,1 | 2900 | 80 | 1,1 | 4,33 | 2,5 | 2.100 | 72 | 13 | E01 | 1.167,46 |
| 5154000200 | CMPT/2-24-2,2 | 2900 | 90 | 2,2 | 7,62 | 4,4 | 2.900 | 73 | 26 | E01 | 1.829,98 |
| 5154000400 | CMPT/2-25M-2,2 | 2900 | 90 | 2,2 | 7,62 | 4,4 | 2.780 | 77 | 26 | E01 | 1.770,62 |
| 5154000500 | CMPT/2-20A-0,55 | 2900 | 71 | 0,55 | 2,23 | 1,29 | 900 | 68 | 11 | E01 | 1.206,26 |
| 5154000600 | CMPT/2-25A-1,5 | 2900 | 90 | 1,5 | 5 | 2,9 | 1.660 | 78 | 17 | E01 | 1.595,53 |
| 5154000700 | CMPT/2-30A-3 | 2900 | 100 | 3 | 10 | 5,8 | 3.090 | 80 | 34 | E01 | 4.091,63 |
| TRIFÁSICOS 4 POLOS | | | | | | | | | | | |
| 5154000800 | CMPT/4-14-0,18 | 1450 | 63 | 0,18 | 1,09 | 0,63 | 350 | 45 | 4 | E01 | 890,76 |
| 5154000900 | CMPT/4-20-0,18 | 1450 | 63 | 0,18 | 1,09 | 0,63 | 1.220 | 60 | 8 | E01 | 1.050,36 |
| 5154001000 | CMPT/4-23-0,55 | 1450 | 80 | 0,55 | 2,42 | 1,4 | 2.560 | 64 | 15 | E01 | 1.524,88 |
| 5154001100 | CMPT/4-24-0,55 | 1450 | 80 | 0,55 | 2,42 | 1,4 | 2.400 | 61 | 15 | E01 | 1.631,49 |
| 5154001200 | CMPT/4-25-0,55 | 1450 | 80 | 0,55 | 2,42 | 1,4 | 2.680 | 60 | 15 | E01 | 1.631,49 |
| 5154001300 | CMPT/4-30-1,1 | 1450 | 90 | 1,1 | 4,16 | 2,4 | 4.240 | 69 | 29 | E01 | 2.301,10 |
| 5154001400 | CMPT/4-35-3 | 1450 | 100 | 3 | 10,91 | 6,3 | 6.470 | 72 | 48 | E01 | 3.310,62 |

* Nivel de presión sonora, medido a 1,5 m en campo libre, en la aspiración, en un punto medio de la curva característica.

** Potencia absorbida.

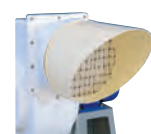
| Código | Modelo | Velocidad (r.p.m.) | Tamaño motor (mm) | Potencia nominal del motor (kW) | Intensidad nominal (A) | | Caudal máximo (m³/h) | Nivel de presión sonora* (dB(A)) | Peso (kg) | Grupo producto | Precio €/u. |
|---------------------------|-----------------------|--------------------|-------------------|---------------------------------|------------------------|------|----------------------|----------------------------------|-----------|----------------|-------------|
| | | | | | 230V | 400V | | | | | |
| TRIFÁSICOS 4 POLOS | | | | | | | | | | | |
| 5154001500 | CMPT/4-42-5,5 | 1450 | 132 | 5,5 | - | 11,1 | 7.500 | 75 | 88 | E01 | 5.319,43 |
| 5154001600 | CMPT/4-42-7,5 | 1450 | 132 | 7,5 | - | 14,8 | 11.220 | 80 | 102 | E01 | 5.595,71 |
| 5154001700 | CMPT/4-25M-0,55 | 1450 | 80 | 0,55 | 2,42 | 1,4 | 1.700 | 63 | 15 | E01 | 1.572,10 |
| 5154001800 | CMPT/4-20A-0,18 | 1450 | 63 | 0,18 | 1,09 | 0,63 | 530 | 54 | 9 | E01 | 1.175,82 |
| 5154001900 | CMPT/4-25A-0,25 | 1450 | 71 | 0,25 | 1,28 | 0,74 | 1.100 | 66 | 10 | E01 | 1.441,39 |
| 5154002000 | CMPT/4-30A-0,55 | 1450 | 80 | 0,55 | 2,42 | 1,4 | 2.060 | 68 | 20 | E01 | 3.764,58 |
| 5130965100 | CMPT/4-50 50/135-7,5 | 1465 | 132 | 7,5 | - | 14,2 | 11.200 | - | 130 | E01 | 10.351,50 |
| 5130965200 | CMPT/4-50 50/135-11 | 1460 | 160 | 11 | - | 21,1 | 15.000 | - | 170 | E01 | 11.349,37 |
| 5130965300 | CMPT/4-50 55/145-11 | 1460 | 160 | 11 | - | 21,1 | 13.600 | - | 170 | E01 | 11.349,37 |
| 5130965400 | CMPT/4-50 55/145-15 | 1465 | 160 | 15 | - | 28,6 | 17.000 | - | 190 | E01 | 11.880,53 |
| TRIFÁSICOS 6 POLOS | | | | | | | | | | | |
| 5154002100 | CMPT/6-20-0,18 | 950 | 71 | 0,18 | 1,06 | 0,61 | 850 | 51 | 8 | E01 | 1.138,15 |
| 5154002200 | CMPT/6-23-0,18 | 950 | 71 | 0,18 | 1,06 | 0,61 | 1.660 | 55 | 13 | E01 | 1.539,04 |
| 5154002300 | CMPT/6-24-0,18 | 950 | 71 | 0,18 | 1,06 | 0,61 | 1.630 | 52 | 13 | E01 | 1.645,65 |
| 5154002400 | CMPT/6-25-0,18 | 950 | 71 | 0,18 | 1,06 | 0,61 | 1.810 | 51 | 13 | E01 | 1.645,65 |
| 5154002500 | CMPT/6-30-0,37 | 950 | 80 | 0,37 | 1,85 | 1,07 | 2.760 | 60 | 25 | E01 | 2.287,85 |
| 5154002600 | CMPT/6-35-1,1 | 950 | 90 | 1,1 | 5,2 | 3 | 4.780 | 64 | 42 | E01 | 3.180,50 |
| 5154002700 | CMPT/6-42-3 | 930 | 132 | 3 | 12,64 | 7,3 | 8.330 | 71 | 88 | E01 | 5.323,56 |
| 5154002800 | CMPT/6-25M-0,18 | 950 | 71 | 0,18 | 1,06 | 0,61 | 1.200 | 54 | 13 | E01 | 1.586,27 |
| 5130965500 | CMPT/6-50 50/135-2,2 | 940 | 112 | 2,2 | - | 5,36 | 7.400 | - | 105 | E01 | 9.949,52 |
| 5130965700 | CMPT/6-50 50/135-3 | 960 | 132 | 3 | - | 6,82 | 9.700 | - | 116 | E01 | 10.164,87 |
| 5130965800 | CMPT/6-50 55/145-3 | 960 | 132 | 3 | - | 6,82 | 8.600 | - | 116 | E01 | 10.164,87 |
| 5130965900 | CMPT/6-50 55/145-4 | 960 | 132 | 4 | - | 8,74 | 11.000 | - | 125 | E01 | 10.301,25 |
| 5130966000 | CMPT/6-50 60/160-4 | 960 | 132 | 4 | - | 8,74 | 9.500 | - | 125 | E01 | 10.301,25 |
| 5130966100 | CMPT/6-50 60/160-5,5 | 960 | 132 | 5,5 | - | 12,2 | 12.000 | - | 130 | E01 | 10.523,80 |
| 5130966200 | CMPT/6-60 50/135-5,5 | 960 | 132 | 5,5 | - | 12,2 | 12.000 | - | 170 | E01 | 13.739,82 |
| 5130966300 | CMPT/6-60 50/135-7,5 | 965 | 160 | 7,5 | - | 16,4 | 14.500 | - | 215 | E01 | 14.673,03 |
| 5130967300 | CMPT/6-60 50/135-11 | 970 | 160 | 11 | - | 23,2 | 17.200 | - | 220 | E01 | 15.053,51 |
| 5130967400 | CMPT/6-60 55/145-7,5 | 965 | 160 | 7,5 | - | 16,4 | 14.000 | - | 215 | E01 | 14.673,03 |
| 5130967500 | CMPT/6-60 55/145-11 | 970 | 160 | 11 | - | 23,2 | 18.500 | - | 220 | E01 | 15.053,51 |
| 5130967600 | CMPT/6-60 55/145-15 | 970 | 180 | 15 | - | 31 | 19.100 | - | 250 | E01 | 16.051,30 |
| 5130967700 | CMPT/6-60 60/160-7,5 | 965 | 160 | 7,5 | - | 16,4 | 14.000 | - | 215 | E01 | 14.673,03 |
| 5130967800 | CMPT/6-60 60/160-11 | 970 | 160 | 11 | - | 23,2 | 18.500 | - | 220 | E01 | 15.053,51 |
| 5130967900 | CMPT/6-60 60/160-15 | 970 | 180 | 15 | - | 31 | 20.750 | - | 250 | E01 | 16.051,30 |
| 5130968100 | CMPT/6-70 50/135-11 | 970 | 160 | 11 | - | 23,2 | 19.000 | - | 260 | E01 | 17.350,63 |
| 5130968200 | CMPT/6-70 50/135-15 | 970 | 180 | 15 | - | 31 | 24.000 | - | 288 | E01 | 18.348,45 |
| 5130971300 | CMPT/6-70 50/135-18,5 | 965 | 200 | 18,5 | - | 36 | 27.600 | - | 318 | E01 | 19.504,17 |
| 5130968300 | CMPT/6-70 55/145-15 | 970 | 180 | 15 | - | 31 | 21.500 | - | 288 | E01 | 18.348,45 |
| 5130968400 | CMPT/6-70 55/145-18,5 | 965 | 200 | 18,5 | - | 36 | 25.200 | - | 318 | E01 | 19.504,17 |
| 5130968500 | CMPT/6-70 55/145-22 | 960 | 200 | 22 | - | 43 | 28.500 | - | 330 | E01 | 20.236,41 |
| 5130968600 | CMPT/6-70 60/160-18,5 | 965 | 200 | 18,5 | - | 36 | 23.400 | - | 318 | E01 | 19.504,17 |
| 5130968700 | CMPT/6-70 60/160-22 | 960 | 200 | 22 | - | 43 | 26.500 | - | 330 | E01 | 20.236,41 |
| 5130968800 | CMPT/6-70 60/160-30 | 965 | 225 | 30 | - | 56 | 33.500 | - | 385 | E01 | 25.483,96 |
| TRIFÁSICOS 8 POLOS | | | | | | | | | | | |
| 5130968900 | CMPT/8-50 50/135-1,1 | 700 | 100 | 1,1 | - | 3,38 | 7.300 | - | 89 | E01 | 9.755,69 |
| 5130969000 | CMPT/8-50 55/145-1,5 | 710 | 112 | 1,5 | - | 4,02 | 6.800 | - | 103 | E01 | 9.956,70 |
| 5130969100 | CMPT/8-50 55/145-2,2 | 715 | 132 | 2,2 | - | 5,27 | 8.200 | - | 112 | E01 | 10.480,72 |
| 5130969200 | CMPT/8-50 60/160-2,2 | 715 | 132 | 2,2 | - | 5,27 | 8.000 | - | 112 | E01 | 10.480,72 |
| 5130969300 | CMPT/8-50 60/160-3 | 710 | 132 | 3 | - | 7,2 | 8.900 | - | 125 | E01 | 10.724,78 |
| 5130969400 | CMPT/8-60 50/135-3 | 710 | 132 | 3 | - | 7,2 | 10.500 | - | 165 | E01 | 13.948,02 |
| 5130969500 | CMPT/8-60 50/135-4 | 720 | 160 | 4 | - | 10,9 | 13.300 | - | 194 | E01 | 14.522,30 |
| 5130969600 | CMPT/8-60 55/145-4 | 720 | 160 | 4 | - | 10,9 | 12.000 | - | 194 | E01 | 14.384,81 |
| 5130969700 | CMPT/8-60 55/145-5,5 | 710 | 160 | 5,5 | - | 13,4 | 14.500 | - | 200 | E01 | 14.694,54 |
| 5130969900 | CMPT/8-60 60/160-4 | 720 | 160 | 4 | - | 10,9 | 12.200 | - | 194 | E01 | 14.522,30 |
| 5130970000 | CMPT/8-60 60/160-5,5 | 710 | 160 | 5,5 | - | 13,4 | 15.000 | - | 200 | E01 | 14.694,54 |
| 5130970100 | CMPT/8-60 60/160-7,5 | 715 | 160 | 7,5 | - | 18,1 | 15.900 | - | 225 | E01 | 15.075,01 |
| 5130970200 | CMPT/8-70 50/135-5,5 | 710 | 160 | 5,5 | - | 13,4 | 15.200 | - | 240 | E01 | 16.991,72 |
| 5130970300 | CMPT/8-70 50/135-7,5 | 715 | 160 | 7,5 | - | 18,1 | 19.900 | - | 265 | E01 | 17.379,35 |
| 5130970400 | CMPT/8-70 50/135-11 | 720 | 180 | 11 | - | 26,4 | 20.500 | - | 290 | E01 | 18.348,45 |
| 5130970500 | CMPT/8-70 55/145-5,5 | 710 | 160 | 5,5 | - | 13,4 | 14.100 | - | 240 | E01 | 16.991,72 |
| 5130970800 | CMPT/8-70 55/145-7,5 | 715 | 160 | 7,5 | - | 18,1 | 18.000 | - | 265 | E01 | 17.379,35 |
| 5130970900 | CMPT/8-70 55/145-11 | 720 | 180 | 11 | - | 26,4 | 22.200 | - | 290 | E01 | 18.348,45 |
| 5130971000 | CMPT/8-70 60/160-7,5 | 715 | 160 | 7,5 | - | 18,1 | 16.200 | - | 253 | E01 | 17.379,35 |
| 5130971100 | CMPT/8-70 60/160-11 | 720 | 180 | 11 | - | 26,4 | 22.500 | - | 290 | E01 | 18.348,45 |
| 5130971200 | CMPT/8-70 60/160-15 | 740 | 200 | 15 | - | 29 | 25.200 | - | 310 | E01 | 19.504,17 |

* Nivel de presión sonora, medido a 1,5 m en campo libre, en la aspiración, en un punto medio de la curva característica.

ACCESORIOS DE MONTAJE ESPECÍFICOS CMPB/CMPT (2)



CMP
Cubremotores.



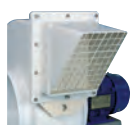
APP-N
Defensas circulares de descarga.



CTP-N
Sombberos antilluvia.



ACP-N
Acoplamiento
rectangulares-circulares
de descarga con
compuerta manual para
la regulación del caudal.



APR
Defensas rectangulares
de descarga con
compuerta manual para
la regulación del caudal



DEF.CIR
Defensas circulares de
aspiración.



REP
Reducción de forma
cónica, en PVC, para la
conexión del conducto
de la instalación con
diferentes diámetros.

| Código | Modelo | Grupo producto | Precio €/u. |
|--|-------------|----------------|-------------|
| Cubremotores | | | |
| 5130316000 | CMP-14 PVC | E01 | 74,23 |
| 5130316100 | CMP-20 PVC | E01 | 96,16 |
| 5130316200 | CMP-25 PVC | E01 | 134,63 |
| 5130316300 | CMP-30 PVC | E01 | 153,88 |
| 5130316400 | CMP-35 PVC | E01 | 175,78 |
| 5130316500 | CMP-42 PVC | E01 | 307,15 |
| (N) 5130075000 | CMP-20 PP | E01 | 352,95 |
| (N) 5130075100 | CMP-25 PP | E01 | 370,60 |
| (N) 5130075200 | CMP-30 PP | E01 | 389,13 |
| 5130994500 | CMP-50 PP | E01 | 452,26 |
| 5130994600 | CMP-60 PP | E01 | 516,88 |
| 5130319800 | CMP-70 PP | E01 | 581,46 |
| Defensas circulares de descarga | | | |
| 5130316600 | APP-125-N | E01 | 62,52 |
| 5130316700 | APP-200-N | E01 | 82,81 |
| 5130316800 | APP-250-N | E01 | 92,97 |
| 5130316900 | APP-315-N | E01 | 133,55 |
| Sombberos antilluvia | | | |
| 5130317000 | CTP-125-N | E01 | 230,80 |
| 5130317100 | CTP-160-N | E01 | 287,42 |
| 5130317200 | CTP-200-N | E01 | 287,93 |
| 5130317300 | CTP-250-N | E01 | 345,64 |
| 5130317400 | CTP-400-N | E01 | 833,88 |
| 5130994700 | CTP-500-N | E01 | 1.043,28 |
| Acoplamiento rectangular-circular de descarga con compuerta manual para regulación de caudal | | | |
| 5130318700 | ACP-20A-N | E01 | 97,75 |
| 5130318800 | ACP-25A-N | E01 | 126,08 |
| 5130318900 | ACP-30A-N | E01 | 155,45 |
| 5130319000 | ACP-35-N | E01 | 282,08 |
| 5130319100 | ACP-42-N | E01 | 304,00 |
| 5130994800 | ACP-50-N | E01 | 510,40 |
| 5130994900 | ACP-60-N | E01 | 885,15 |
| 5130995000 | ACP-70-N | E01 | 1.091,89 |
| Defensas rectangulares de descarga con compuerta manual para la regulación del caudal | | | |
| 5130319200 | APR-20A | E01 | 147,96 |
| 5130319300 | APR-25A | E01 | 196,60 |
| 5130319400 | APR-30A | E01 | 229,19 |
| 5130319500 | APR-35 | E01 | 383,56 |
| 5130319600 | APR-42 | E01 | 458,88 |
| 5130995100 | APR-50 | E01 | 775,30 |
| 5130995200 | APR-60 | E01 | 839,91 |
| 5130995400 | APR-70 | E01 | 904,51 |
| Defensas circulares de aspiración | | | |
| 5130273200 | DEF.CIR-12 | E01 | 57,27 |
| 5130273300 | DEF.CIR-16 | E01 | 70,45 |
| 5130272800 | DEF.CIR-20 | E01 | 72,69 |
| 5130271900 | DEF.CIR-25 | E01 | 81,52 |
| 5130272000 | DEF.CIR-30 | E01 | 105,73 |
| 5130272100 | DEF.CIR-35 | E01 | 132,16 |
| 5130273400 | DEF.CIR-40 | E01 | 169,92 |
| 5130273700 | DEF.CIR-50 | E01 | 173,06 |
| 5130273800 | DEF.CIR-60 | E01 | 190,37 |
| 5130273900 | DEF.CIR-70 | E01 | 207,66 |
| Reducciones de PVC | | | |
| 5416769000 | REP-400/355 | E01 | 155,26 |

Los accesorios ACP-N y APR sólo se pueden montar en los modelos CMPT/CMPB-35, CMPT/CMPB-42, CMPT/CMPB-20A, CMPT/CMPB-25A y CMPT/CMPB-30.

(N) NOVEDAD

ACCESORIOS DE MONTAJE ESPECÍFICOS CMPB/CMPT (2) Y TMPT/TMPB

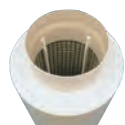


MFP-N
Acoplamiento elástico circular de aspiración.

| Código | Modelo | Grupo producto | Precio €/u. |
|---|------------|----------------|-------------|
| Acoplamiento elástico circular de aspiración | | | |
| 5130315300 | MFP-125-N | E01 | 46,47 |
| 5130315400 | MFP-160-N | E01 | 50,22 |
| 5130315500 | MFP-200-N | E01 | 53,97 |
| 5130315600 | MFP-250-N | E01 | 52,33 |
| 5130315700 | MFP-315-N | E01 | 77,46 |
| 5130315800 | MFP-355-N | E01 | 84,16 |
| 5130315900 | MFP-400-N | E01 | 96,66 |
| 5130995500 | MFP-500-N | E01 | 106,36 |
| 5130995600 | MFP-600-N | E01 | 126,49 |
| 5130995700 | MFP-700-N | E01 | 145,38 |
| Compuertas antirretorno manuales con regulación de caudal | | | |
| 5130317500 | CARP-125-N | E01 | 199,25 |
| 5130317600 | CARP-160-N | E01 | 230,80 |
| 5130317700 | CARP-200-N | E01 | 291,70 |
| 5130317800 | CARP-250-N | E01 | 307,15 |
| 5130317900 | CARP-315-N | E01 | 378,79 |
| 5130318000 | CARP-400-N | E01 | 804,50 |
| Silenciadores circulares de aspiración o descarga | | | |
| 5130995900 | SILP-125 | E01 | 897,31 |
| 5130318100 | SILP-160 | E01 | 966,69 |
| 5130318200 | SILP-200 | E01 | 1.068,46 |
| 5130318300 | SILP-250 | E01 | 1.170,16 |
| 5130318400 | SILP-315 | E01 | 1.450,00 |
| 5130318500 | SILP-355 | E01 | 1.933,36 |
| 5130318600 | SILP-400 | E01 | 1.933,36 |
| 5130995800 | SILP-500 | E01 | 2.182,67 |

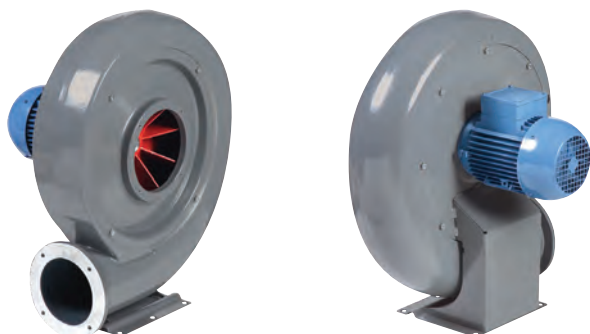


CARP-N
Registro de regulación manual.



SILP
Silenciadores circulares de aspiración o descarga. Pueden trabajar en posición horizontal o vertical.

Serie CBT-N



Configuración constructiva modelos CBT-40, 60N, 80N, 100N y 130N.

Ventiladores centrífugos de media presión, de simple aspiración, capacitados para trasegar aire hasta 120°C (1) en continuo, fabricados en fundición de aluminio, protegidos contra la corrosión con pintura epoxy, voluta orientable, rodete de álabes radiales equilibrado dinámicamente, motor IP55 (2), Clase F, y rodamientos a bolas de engrase permanente.
(1) Modelos CSB: hasta 70°C
(2) Modelos CSB y CBT-40: IP44, Clase B, con protector térmico incorporado.

Motores
Clase IE3.
De 2 polos.
Tensión de alimentación
Monofásicos 230V-50Hz
Trifásicos 230/400V-50Hz ó 400V-50Hz
(Ver cuadro de características)

Otros datos
Los motores pueden situarse a derecha o izquierda. Voluta orientable, por el propio usuario, para obtener 14 combinaciones distintas (1).
Orientación estándar: LG 270.
(1) Los modelos CSB y CST sólo pueden suministrarse en la posición LG270.
Bajo demanda:
Motores de 2 velocidades

CBT-N versiones ATEX
Bajo pedido, versiones antiexplosivas según la Directiva ATEX para modelos trifásicos:
Para trabajar a temperaturas de -20°C a +40°C.
- ATEX Antideflagrantes - Gas
Excepto modelos CBT-40 y CST-60.
⊕ II 2G Ex d IIB T4
⊕ II 2G Ex d IIB+H2 T4 (con motor Ex d IIC T4)
En versión ATEX estándar, los motores antideflagrantes se entregan sin protección térmica.
Para utilizar con convertidor de frecuencia pedir motores antideflagrantes con protector térmico tipo PTC.
- ATEX Seguridad aumentada - Gas
⊕ II 2G Ex e II T3
- ATEX Polvo
Partículas en suspensión inflamables y polvo no conductor:
⊕ II 3D Ex tc IIIB T125°C
Polvo conductor:
⊕ II 3D Ex tc IIIC T125°C (con motor IP65)
En versión ATEX estándar, los motores ATEX para polvo se entregan sin protección térmica.
Para utilizar con convertidor de frecuencia pedir motores ATEX para polvo con protector térmico tipo PTC.

Para seleccionar modelos CBT-N ATEX, ver el programa de selección de producto EasyVent.

Los datos eléctricos de los modelos ATEX pueden variar respecto a los datos indicados en las tablas características.

Aplicaciones específicas

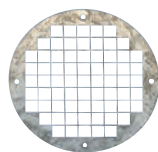


Es imprescindible comprobar que las características eléctricas (voltaje, intensidad, frecuencia, etc) del motor que aparecen en la placa del mismo son compatibles con las de la instalación.

| Código | Modelo | Velo- cidad (r.p.m.) | Ø boca de des- carga (mm) | Potencia motor (kW) | Clase | Protec- ción | Temp. máx. (aire trasegado) (°C) | Intensidad máxima absorbida (A) | | Caudal (m³/h) | Nivel de presión sonora ** (dB(A)) | Peso aprox. (kg) | Convertidor de frecuencia opcional | | Grupo pro- ducto | Precio €/u. |
|-------------|----------|----------------------------|---------------------------------------|---------------------------|-------|-----------------|--|--|---------|------------------|--|------------------------|--|---------|------------------------|----------------|
| | | | | | | | | a 230 V | a 400 V | | | | VFTM*** | VFKB*** | | |
| MONOFÁSICOS | | | | | | | | | | | | | | | | |
| 5124602300 | CSB-60 | 2750 | 60 | 0,20* | B | IP44 | 70 | 1,2 | - | 310 | 69 | 7 | - | - | E01 | 636,99 |
| 5122207300 | CBB-60N | 2800 | 60 | 0,18 | F | IP55 | 120 | 1,18 | - | 400 | 69 | 10 | - | - | E01 | 620,03 |
| 5122208100 | CBB-80N | 2800 | 80 | 0,37 | F | IP55 | 120 | 2,2 | - | 730 | 71 | 13 | - | - | E01 | 676,40 |
| 5122209900 | CBB-100N | 2800 | 100 | 0,75 | F | IP55 | 120 | 3,9 | - | 1.250 | 78 | 18 | - | - | E01 | 910,51 |
| TRIFÁSICOS | | | | | | | | | | | | | | | | |
| 5122007700 | CBT-40 | 2800 | 40 | 0,25* | B | IP44 | 120 | 0,75 | 0,43 | 250 | 78 | 10 | - | - | E01 | 819,26 |
| 5124005900 | CST-60 | 2750 | 60 | 0,18* | B | IP44 | 120 | 0,67 | 0,39 | 310 | 69 | 6 | - | - | E01 | 610,44 |
| 5122203200 | CBT-60N | 2800 | 60 | 0,18 | F | IP55 | 120 | 1,09 | 0,63 | 400 | 69 | 10 | VFTM TRI 0,37 | VFKB-45 | E01 | 546,02 |
| 5122202400 | CBT-80N | 2800 | 80 | 0,37 | F | IP55 | 120 | 2,10 | 1,21 | 730 | 71 | 14 | VFTM TRI 0,37 | VFKB-45 | E01 | 656,72 |
| 5122201600 | CBT-100N | 2800 | 100 | 0,75 | F | IP55 | 120 | 2,90 | 1,70 | 1.250 | 78 | 19 | VFTM TRI 0,75 | VFKB-45 | E01 | 884,07 |
| 5122200800 | CBT-130N | 2800 | 130 | 1,1 | F | IP55 | 120 | 4,30 | 2,50 | 1.910 | 80 | 27 | VFTM TRI 1,1 | VFKB-45 | E01 | 1.215,41 |

* Potencia absorbida.
** Presión sonora en dB(A) a la aspiración, en campo libre, a 1,5 metros.
*** Alimentación VSD: Trifásico 400V

ACCESORIOS DE MONTAJE ESPECÍFICOS



Rejilla de protección. Se montan a la aspiración de los ventiladores.

| Modelo rejilla | Modelo CBT-N |
|----------------|--------------|
| DEF-100T | 40 |
| KRJ-120 | 60 |
| KRJ-140 | 80 |
| DEF-140T | 100 |
| KRJ-160 | 130 |



CBA/CBS Brida de conexión.

| Modelo | Montaje a | Diámetro |
|---------|----------------------|----------|
| CBA-60 | Aspiración CBT-60-N | Ø 100 |
| CBA-80 | Aspiración CBT-80-N | Ø 125 |
| CBA-100 | Aspiración CBT-100-N | Ø 160 |
| CBA-130 | Aspiración CBT-130-N | Ø 200 |
| CBS-60 | Descarga CBT-60-N | Ø 100 |
| CBS-80 | Descarga CBT-80-N | Ø 125 |
| CBS-100 | Descarga CBT-100-N | Ø 160 |
| CBS-130 | Descarga CBT-130-N | Ø 200 |

**KBTA**

Silenciadores para colocar en la aspiración

KBTI

Silenciadores para colocar en la descarga

| Código | Modelo | Grupo producto | Precio €/u. |
|------------------------|----------|----------------|-------------|
| Defensas de aspiración | | | |
| 5416528700 | DEF-100T | E01 | 21,62 |
| 5416529500 | DEF-140T | E01 | 26,09 |
| 5130866600 | KRJ-120 | E01 | 22,46 |
| 5130867400 | KRJ-140 | E01 | 26,23 |
| 5130868200 | KRJ-160 | E01 | 28,04 |
| Bridas de aspiración | | | |
| 5130292700 | CBA-60 | E01 | 85,18 |
| 5122600900 | CBA-80 | E01 | 88,38 |
| 5122601700 | CBA-100 | E01 | 96,63 |
| 5122602500 | CBA-130 | E01 | 121,72 |
| Bridas de descarga | | | |
| 5130292800 | CBS-60 | E01 | 100,10 |
| 5122631400 | CBS-80 | E01 | 103,31 |
| 5122632200 | CBS-100 | E01 | 111,33 |
| 5122633000 | CBS-130 | E01 | 131,38 |

| Código | Modelo | Grupo producto | Precio €/u. |
|--------------------------|----------|----------------|-------------|
| Silenciadores Aspiración | | | |
| 5130301900 | KBTA-60 | E01 | 404,64 |
| 5130302000 | KBTA-80 | E01 | 415,17 |
| 5130302100 | KBTA-100 | E01 | 463,58 |
| 5130302200 | KBTA-130 | E01 | 535,04 |
| Silenciador Descarga | | | |
| 5130304200 | KBTI-60 | E01 | 404,64 |
| 5130304300 | KBTI-80 | E01 | 415,17 |
| 5130304400 | KBTI-100 | E01 | 463,58 |
| 5130304500 | KBTI-130 | E01 | 535,04 |

Serie CMB/CMT



Ventiladores centrífugos de simple aspiración, capacitados para trasegar aire en continuo hasta 80°C o 110°C (Serie 1) ó 150°C (Series 2 y 3), carcasa de chapa de acero protegida con pintura epoxi-poliéster anticorrosiva, rodete de álabes hacia adelante de acero galvanizado, equilibrado dinámicamente y motor IP55, Clase F (1), con rodamientos a bolas de engrase permanente.

(1) Algunos modelos de la Serie 1 son IP44, Clase B.
(Ver cuadro de características).

Motores

Clase IE3.

De 2, 4 ó 6 polos, según versiones.

Tensión de alimentación.

Monofásicos 230V-50Hz

Trifásicos 230/400V-50Hz, hasta 3 kW

400V-50Hz, para potencias superiores

(Ver cuadro de características).

Otros datos

Los modelos de las Series 2 y 3 incorporan bancada.

Los motores pueden situarse a derecha o izquierda.

La voluta se puede orientar, en cada caso, para

ofrecer hasta 16 combinaciones distintas.

Orientación estándar: LG 270.

Bajo demanda:

Orientaciones RD.

Motor de 2 velocidades.

Versiones de acero inoxidable INOX-304 ó 316.

Aplicaciones específicas

Continuo
CMT serie 1



Continuo
CMT series
2 y 3



Versiones

CMT versiones ATEX

Bajo pedido, versiones antiexplosivas según la Directiva ATEX para modelos trifásicos:

Para trabajar a temperaturas de -20°C a +40°C.

- ATEX AntideFlagrantes - Gas

⊕ II 2G Ex d IIB T4

⊕ II 2G Ex d IIB+H2 T4 (con motor Ex d IIC T4)

En versión ATEX estándar, los motores antideFlagrantes se entregan sin protección térmica.

Para utilizar con convertidor de frecuencia pedir motores antideFlagrantes con protector térmico tipo PTC.

- ATEX Seguridad aumentada - Gas

⊕ II 2G Ex e II T3

- ATEX - Polvo

Partículas en suspensión inFlamables y polvo no conductor:

⊕ II 3D Ex tc IIIB T125°C

Polvo conductor:

⊕ II 3D Ex tc IIIC T125°C (con motor IP65)

En versión ATEX estándar, los motores ATEX para polvo se entregan sin protección térmica.

Para utilizar con convertidor de frecuencia pedir motores ATEX para polvo con protector térmico tipo PTC.

Para seleccionar modelos CMT ATEX, ver las curvas características, o bien el programa de selección de producto EasyVent.

Los datos eléctricos de los modelos ATEX pueden variar respecto a los datos indicados en las tablas características.

Consulte la disponibilidad de otras versiones, y de modelos monofásicos con motores ATEX.

Es imprescindible comprobar que las características eléctricas (voltaje, intensidad, frecuencia, etc) del motor que aparecen en la placa del mismo son compatibles con las de la instalación.

| Código | Modelo Serie 1 | Velocidad (r.p.m.) | Protección | Motor Clase | Potencia útil (kW) | Intensidad máxima absorbida (A) | | Caudal máximo (m³/h) | Nivel de presión sonora* (dB(A)) | Peso (kg) | Temperatura máx. aire (°C) | Regulador de velocidad opcional | Grupo producto | Precio €/u. |
|---------------------|-------------------|--------------------|------------|-------------|--------------------|---------------------------------|---------|----------------------|----------------------------------|-----------|----------------------------|---------------------------------|----------------|-------------|
| | | | | | | a 230 V | a 400 V | | | | | | | |
| MONOFÁSICOS 2 POLOS | | | | | | | | | | | | | | |
| 5130202400 | CMB/2-120/50-0,09 | 2800 | IP44 | B | 0,09 | 0,70 | - | 495 | 62 | 4 | 80 | - | E01 | 319,36 |
| 5130204000 | CMB/2-140/50-0,25 | 2800 | IP55 | F | 0,25 | 2,00 | - | 870 | 66 | 8 | 110 | - | E01 | 336,18 |
| 5130206500 | CMB/2-160/60-0,37 | 2800 | IP55 | F | 0,37 | 2,80 | - | 1.120 | 69 | 9 | 110 | - | E01 | 431,68 |
| 5130208100 | CMB/2-180/75-0,75 | 2800 | IP55 | F | 0,75 | 4,90 | - | 1.800 | 71 | 15 | 110 | - | E01 | 610,10 |
| 5130210700 | CMB/2-200/60-0,37 | 2800 | IP55 | F | 0,37 | 2,80 | - | 935 | 69 | 9 | 110 | - | E01 | 510,26 |
| 5130212300 | CMB/2-200/80-1,1 | 2800 | IP55 | F | 1,1 | 7,30 | - | 2.270 | 74 | 17 | 110 | - | E01 | 672,32 |
| MONOFÁSICOS 4 POLOS | | | | | | | | | | | | | | |
| 5130203200 | CMB/4-120/50-0,01 | 1400 | IP44 | B | 0,01 | 0,21 | - | 270 | 55 | 4 | 80 | REB-1N | E01 | 269,62 |
| 5130205700 | CMB/4-140/50-0,06 | 1400 | IP44 | B | 0,06 | 0,35 | - | 450 | 59 | 7 | 80 | REB-1N | E01 | 283,81 |
| 5130207300 | CMB/4-160/60-0,07 | 1400 | IP44 | B | 0,07 | 0,60 | - | 665 | 62 | 7 | 80 | REB-1N | E01 | 314,04 |
| 5130209900 | CMB/4-180/75-0,18 | 1400 | IP55 | F | 0,18 | 1,45 | - | 1.030 | 64 | 10 | 110 | - | E01 | 376,18 |
| 5130213100 | CMB/4-200/80-0,40 | 1400 | IP55 | F | 0,40 | 3,20 | - | 1.560 | 67 | 13 | 110 | - | E01 | 532,68 |
| TRIFÁSICOS 2 POLOS | | | | | | | | | | | | | | |
| 5130100000 | CMT/2-120/50-0,09 | 2800 | IP44 | B | 0,09 | 0,54 | 0,32 | 495 | 62 | 4 | 80 | RMT-1,5 | E01 | 309,78 |
| 5130102600 | CMT/2-140/50-0,25 | 2800 | IP55 | F | 0,25 | 1,00 | 0,60 | 870 | 66 | 8 | 110 | VFTM TRI 0,37 | E01 | 328,83 |
| 5130104200 | CMT/2-160/60-0,37 | 2800 | IP55 | F | 0,37 | 1,80 | 1,05 | 1.120 | 69 | 9 | 110 | VFTM TRI 0,37 | E01 | 380,75 |
| 5130106700 | CMT/2-180/75-0,75 | 2800 | IP55 | F | 0,75 | 3,30 | 1,90 | 1.800 | 71 | 15 | 110 | VFTM TRI 0,75 | E01 | 549,71 |
| 5130108300 | CMT/2-200/60-0,37 | 2800 | IP55 | F | 0,37 | 1,80 | 1,05 | 935 | 69 | 9 | 110 | VFTM TRI 0,37 | E01 | 470,36 |
| 5130110900 | CMT/2-200/80-1,1 | 2800 | IP55 | F | 1,1 | 4,67 | 2,70 | 2.270 | 74 | 17 | 110 | VFTM TRI 1,1 | E01 | 640,52 |
| TRIFÁSICOS 4 POLOS | | | | | | | | | | | | | | |
| 5130101800 | CMT/4-120/50-0,01 | 1400 | IP44 | B | 0,01 | 0,20 | 0,12 | 270 | 55 | 4 | 80 | RMT-1,5 | E01 | 265,73 |
| 5130103400 | CMT/4-140/50-0,06 | 1400 | IP44 | B | 0,06 | 0,32 | 0,18 | 450 | 59 | 7 | 80 | RMT-1,5 | E01 | 279,72 |
| 5130105900 | CMT/4-160/60-0,07 | 1400 | IP44 | B | 0,07 | 0,58 | 0,33 | 665 | 62 | 7 | 80 | RMT-1,5 | E01 | 301,98 |
| 5130107500 | CMT/4-180/75-0,18 | 1400 | IP55 | F | 0,18 | 0,90 | 0,52 | 1.030 | 64 | 10 | 110 | VFTM TRI 0,37 | E01 | 360,35 |
| 5130111700 | CMT/4-200/80-0,25 | 1400 | IP55 | F | 0,25 | 1,26 | 0,73 | 1.560 | 67 | 13 | 110 | VFTM TRI 0,37 | E01 | 425,77 |

* Los valores de los niveles sonoros son presiones sonoras en dB(A) calculadas a 1,5 m a la descarga de los extractores, con el caudal máximo (Q máx).

| Código | Modelo Serie 2 | Velocidad (r.p.m.) | Protección | Motor Clase | Potencia útil (kW) | Intensidad máx. absorbida (A) | | Caudal máximo (m³/h) | Nivel de presión sonora* (dB(A)) | Peso (kg) | Tipo de antivibratorios (KSE) | Regulador de velocidad opcional | Grupo producto | Precio €/u. |
|----------------------------|-------------------|--------------------|------------|-------------|--------------------|-------------------------------|---------|----------------------|----------------------------------|-----------|-------------------------------|---------------------------------|----------------|-----------------|
| | | | | | | a 230 V | a 400 V | | | | | | | |
| MONOFÁSICOS 4 POLOS | | | | | | | | | | | | | | |
| 5130219800 | CMB/4-225/90-0,55 | 1390 | IP55 | F | 0,55 | 4,39 | - | 2.600 | 71 | 22 | 45 | - | E01 | 950,01 |
| 5154027000 | CMB/4-250/100-1,1 | 1390 | IP55 | F | 1,1 | 7,09 | - | 3.790 | 72 | 32 | 45 | - | E01 | 1.305,85 |
| TRIFÁSICOS 2 POLOS | | | | | | | | | | | | | | |
| 5130113300 | CMT/2-225/90-1,1 | 2780 | IP55 | F | 1,1 | 4,7 | 2,7 | 2.080 | 66 | 23 | 45 | VFTM TRI 1,1 | E01 | 795,86 |
| 5130114100 | CMT/2-225/90-1,5 | 2800 | IP55 | F | 1,5 | 5,96 | 3,45 | 2.170 | 71 | 27 | 45 | VFTM TRI 1,5 | E01 | 887,20 |
| 5130115800 | CMT/2-225/90-2,2 | 2820 | IP55 | F | 2,2 | 8,5 | 4,9 | 3.040 | 76 | 30 | 45 | VFTM TRI 2,2 | E01 | 1.007,77 |
| 5130117400 | CMT/2-250/100-2,2 | 2820 | IP55 | F | 2,2 | 8,5 | 4,9 | 2.080 | 73 | 34 | 45 | VFTM TRI 2,2 | E01 | 1.126,87 |
| 5130118200 | CMT/2-250/100-3 | 2820 | IP55 | F | 3 | 10,9 | 6,3 | 3.685 | 79 | 36 | 45 | VFTM TRI 3 | E01 | 1.251,81 |
| 5130120800 | CMT/2-280/115-3 | 2820 | IP55 | F | 3 | 10,9 | 6,3 | 2.600 | 77 | 43 | 45 | VFTM TRI 3 | E01 | 1.249,75 |
| 5130121600 | CMT/2-280/115-4 | 2870 | IP55 | F | 4 | - | 8,4 | 3.210 | 81 | 47 | 45 | VFTM TRI 4 | E01 | 1.378,70 |
| TRIFÁSICOS 4 POLOS | | | | | | | | | | | | | | |
| 5130112500 | CMT/4-225/90-0,55 | 1360 | IP55 | F | 0,55 | 2,2 | 1,27 | 2.600 | 71 | 22 | 45 | VFTM TRI 0,55 | E01 | 716,38 |
| 5130116600 | CMT/4-250/100-1,1 | 1390 | IP55 | F | 1,1 | 4,8 | 2,8 | 3.790 | 72 | 32 | 45 | VFTM TRI 1,1 | E01 | 957,90 |
| 5130119000 | CMT/4-280/115-2,2 | 1400 | IP55 | F | 2,2 | 9,1 | 5,3 | 5.200 | 75 | 43 | 45 | VFTM TRI 2,2 | E01 | 1.233,32 |
| 5130122400 | CMT/4-315/130-2,2 | 1400 | IP55 | F | 2,2 | 9,1 | 5,3 | 5.660 | 72 | 48 | 45 | VFTM TRI 2,2 | E01 | 1.439,68 |
| 5130123200 | CMT/4-315/130-3 | 1400 | IP55 | F | 3 | 12,60 | 7,3 | 6.800 | 75 | 51 | 45 | VFTM TRI 4 | E01 | 1.543,98 |
| 5130124000 | CMT/4-315/130-4 | 1420 | IP55 | F | 4 | - | 9,3 | 7.100 | 78 | 57 | 70 | VFTM TRI 4 | E01 | 1.695,48 |
| TRIFÁSICOS 6 POLOS | | | | | | | | | | | | | | |
| 5130549800 | CMT/6-315/130-1,1 | 930 | IP55 | F | 1,1 | 6,6 | 3,8 | 5.400 | 69 | 44 | 45 | VFTM TRI 1,5 | E01 | 1.702,88 |






| Código | Modelo Serie 3 | Velocidad (r.p.m.) | Protección | Motor Clase | Potencia útil (kW) | Intensidad máx. absorbida (A) | | Caudal máximo (m³/h) | Nivel de presión sonora* (dB(A)) | Peso (kg) | Tipo de antivibratorios (KSE) | Regulador de velocidad opcional | Grupo producto | Precio €/u. |
|---------------------------|-------------------|--------------------|------------|-------------|--------------------|-------------------------------|---------|----------------------|----------------------------------|-----------|-------------------------------|---------------------------------|----------------|-----------------|
| | | | | | | a 230 V | a 400 V | | | | | | | |
| TRIFÁSICOS 4 POLOS | | | | | | | | | | | | | | |
| 5130125700 | CMT/4-355/145-3 | 1400 | IP55 | F | 3 | 12,65 | 7,3 | 6.325 | 75 | 52 | 45 | VFTM TRI 4 | E01 | 1.645,35 |
| 5130126500 | CMT/4-355/145-4 | 1420 | IP55 | F | 4 | - | 9,3 | 7.740 | 78 | 58 | 70 | VFTM TRI 4 | E01 | 1.886,74 |
| 5130127300 | CMT/4-355/145-5,5 | 1445 | IP55 | F | 5,5 | - | 12 | 9.450 | 81 | 69 | 70 | VFTM TRI 5,5 | E01 | 2.156,61 |
| 5130129900 | CMT/4-400/165-4 | 1420 | IP55 | F | 4 | - | 9,3 | 7.200 | 77 | 70 | 70 | VFTM TRI 4 | E01 | 2.053,50 |
| 5130130700 | CMT/4-400/165-5,5 | 1445 | IP55 | F | 5,5 | - | 12 | 8.300 | 80 | 80 | 70 | VFTM TRI 5,5 | E01 | 2.412,09 |
| 5130131500 | CMT/4-400/165-7,5 | 1445 | IP55 | F | 7,5 | - | 15,5 | 10.460 | 83 | 99 | 70 | VFTM TRI 7,5 | E01 | 2.612,93 |
| 5130133100 | CMT/4-450/185-5,5 | 1445 | IP55 | F | 5,5 | - | 12 | 7.560 | 83 | 92 | 70 | VFTM TRI 5,5 | E01 | 2.327,94 |
| 5130134900 | CMT/4-450/185-7,5 | 1445 | IP55 | F | 7,5 | - | 15,5 | 9.900 | 86 | 111 | 70 | VFTM TRI 7,5 | E01 | 2.682,47 |
| 5130135600 | CMT/4-500/205-7,5 | 1445 | IP55 | F | 7,5 | - | 15,5 | 8.410 | 83 | 112 | 70 | VFTM TRI 7,5 | E01 | 3.130,53 |
| 5130136400 | CMT/4-500/205-9,2 | 1450 | IP55 | F | 9,2 | - | 21,5 | 10.300 | 85 | 120 | 70 | VFTM TRI 11 | E01 | 3.410,48 |
| 5130137200 | CMT/4-500/205-11 | 1450 | IP55 | F | 11 | - | 22,5 | 11.250 | 87 | 132 | 70 | VFTM TRI 11 | E01 | 3.735,67 |
| 5130138000 | CMT/4-500/205-15 | 1460 | IP55 | F | 15 | - | 31 | 15.930 | 89 | 147 | 70 | VFTM TRI 15 | E01 | 4.309,45 |
| TRIFÁSICOS 6 POLOS | | | | | | | | | | | | | | |
| 5130595100 | CMT/6-355/145-1,5 | 945 | IP55 | F | 1,5 | 7,5 | 4,3 | 6.700 | 72 | 53 | 45 | VFTM TRI 2,2 | E01 | 1.944,00 |
| 5130128100 | CMT/6-400/165-2,2 | 920 | IP55 | F | 2,2 | 10,74 | 6,2 | 7.590 | 73 | 60 | 70 | VFTM TRI 3 | E01 | 2.015,83 |
| 5130132300 | CMT/6-450/185-2,2 | 920 | IP55 | F | 2,2 | 10,74 | 6,2 | 7.110 | 76 | 88 | 70 | VFTM TRI 3 | E01 | 2.038,61 |

* Los valores de los niveles sonoros son presiones sonoras en dB(A) calculadas a 1,5 m a la descarga de los extractores, con el caudal máximo (Q máx).

ACCESORIOS DE MONTAJE ESPECÍFICOS CMT/CMB - CHMT - CRMT

IMPORTANTE: Los accesorios KAD, KMBI y KMBD no pueden ser utilizados en las series CHMT y CRMT.

| | Código | Modelo | Grupo producto | Precio €/u. |
|---|---|-------------------------------|----------------|-------------|
|  KRJ Defensa de aspiración. | Defensa de aspiración | | | |
| | 5130866600 | KRJ-120 | E01 | 22,46 |
| | 5130867400 | KRJ-140 | E01 | 26,23 |
| | 5130868200 | KRJ-160 | E01 | 28,04 |
| | 5130869000 | KRJ-180 | E01 | 28,82 |
| | 5130870800 | KRJ-200 | E01 | 33,37 |
| | 5130871600 | KRJ-225 | E01 | 36,62 |
| | 5130872400 | KRJ-250 | E01 | 39,88 |
| | 5130873200 | KRJ-280 | E01 | 42,04 |
| | 5130874000 | KRJ-315 | E01 | 47,71 |
| | 5130875700 | KRJ-355 | E01 | 51,54 |
| | 5130876500 | KRJ-400 | E01 | 55,96 |
| | 5130877300 | KRJ-450 | E01 | 65,48 |
| | 5130878100 | KRJ-500 | E01 | 68,00 |
| |  KBA Brida circular de aspiración. | Brida circular de aspiración | | |
| 5130800500 | | KBA-120 | E01 | 61,76 |
| 5130801300 | | KBA-140 | E01 | 65,29 |
| 5130802100 | | KBA-160 | E01 | 77,01 |
| 5130803900 | | KBA-180 | E01 | 82,41 |
| 5130804700 | | KBA-200 | E01 | 86,87 |
| 5130805400 | | KBA-225 | E01 | 91,65 |
| 5130806200 | | KBA-250 | E01 | 95,62 |
| 5130807000 | | KBA-280 | E01 | 101,92 |
| 5130808800 | | KBA-315 | E01 | 115,14 |
| 5130809600 | | KBA-355 | E01 | 124,97 |
| 5130810400 | | KBA-400 | E01 | 133,93 |
| 5130811200 | | KBA-450 | E01 | 152,37 |
| 5130812000 | | KBA-500 | E01 | 168,87 |
|  KBD Brida rectangular de descarga. | | Brida rectangular de descarga | | |
| | 5130815300 | KBD-120 | E01 | 69,52 |
| | 5130818700 | KBD-140 | E01 | 73,19 |
| | 5130816100 | KBD-160 | E01 | 74,69 |
| | 5130819500 | KBD-180 | E01 | 75,55 |
| | 5130817900 | KBD-200/060 | E01 | 76,55 |
| | 5130820300 | KBD-200/080 | E01 | 77,28 |
| | 5130821100 | KBD-225 | E01 | 78,28 |
| | 5130822900 | KBD-250 | E01 | 80,04 |
| | 5130823700 | KBD-280 | E01 | 84,24 |
| | 5130824500 | KBD-315 | E01 | 86,10 |
| | 5130825200 | KBD-355 | E01 | 88,88 |
| | 5130826000 | KBD-400 | E01 | 92,43 |
| | 5130827800 | KBD-450 | E01 | 95,36 |
| | 5130828600 | KBD-500 | E01 | 107,36 |
|  KAD Acoplamiento elástico rectangular. | Acoplamiento elástico rectangular | | | |
| | 5130847600 | KAD-120 | E01 | 55,87 |
| | 5130850000 | KAD-140 | E01 | 61,76 |
| | 5130848400 | KAD-160 | E01 | 67,15 |
| | 5130851800 | KAD-180 | E01 | 73,19 |
| | 5130849200 | KAD-200/60 | E01 | 76,65 |
| | 5130852600 | KAD-200/80 | E01 | 79,45 |
|  KAD F400 Acoplamiento elástico rectangular desenfumage. | Acoplamiento elástico rectangular desenfumage | | | |
| | 5130853500 | KAD-225 F400 | E01 | 91,22 |
| | 5130854300 | KAD-250 F400 | E01 | 100,18 |
| | 5130856000 | KAD-280 F400 | E01 | 110,34 |
| | 5130856800 | KAD-315 F400 | E01 | 119,79 |
| | 5130857600 | KAD-355 F400 | E01 | 123,50 |
| | 5130858400 | KAD-400 F400 | E01 | 128,04 |
| | 5130859200 | KAD-450 F400 | E01 | 140,05 |
| | 5130861000 | KAD-500 F400 | E01 | 159,87 |

| | Código | Modelo | Grupo producto | Precio €/u. |
|---|--|---|----------------|-------------|
|  KMTA Silenciador de aspiración. | Silenciador de aspiración | | | |
| | 5130300000 | KMTA-225 | E01 | 616,73 |
| | 5130300100 | KMTA-250 | E01 | 821,56 |
| | 5130300200 | KMTA-280 | E01 | 894,84 |
| | 5130300300 | KMTA-315 | E01 | 934,80 |
| | 5130300400 | KMTA-355 | E01 | 1.180,26 |
| | 5130300500 | KMTA-400 | E01 | 1.261,82 |
| | 5130300600 | KMTA-450 | E01 | 1.488,48 |
| | 5130300700 | KMTA-500 | E01 | 1.954,53 |
| |  KMTI Silenciador de descarga. | Silenciador de descarga | | |
| 5130302300 | | KMTI-225 | E01 | 694,33 |
| 5130302400 | | KMTI-250 | E01 | 913,16 |
| 5130302500 | | KMTI-280 | E01 | 968,29 |
| 5130302600 | | KMTI-315 | E01 | 1.011,74 |
| 5130302700 | | KMTI-355 | E01 | 1.237,64 |
| 5130302800 | | KMTI-400 | E01 | 1.341,36 |
| 5130302900 | | KMTI-450 | E01 | 1.560,12 |
| 5130303000 | | KMTI-500 | E01 | 2.009,04 |
|  KMBI Acoplamiento rectangular-circular de descarga. | | Acoplamiento rectangular-circular de descarga | | |
| | 5130304600 | KMBI-120 | E01 | 174,69 |
| | 5130304700 | KMBI-140 | E01 | 174,69 |
| | 5130304800 | KMBI-160 | E01 | 184,77 |
| | 5130304900 | KMBI-180 | E01 | 184,77 |
| | 5130305000 | KMBI-200 | E01 | 187,51 |
| | 5130305100 | KMBI-201 | E01 | 187,51 |
| | 5130305200 | KMBI-225 | E01 | 205,66 |
| | 5130305300 | KMBI-250 | E01 | 236,89 |
| | 5130305400 | KMBI-280 | E01 | 248,40 |
|  KMBD Doble brida de aspiración. | Doble brida de aspiración | | | |
| | 5130307100 | KMBD-120 | E01 | 120,55 |
| | 5130307200 | KMBD-140 | E01 | 125,55 |
| | 5130307300 | KMBD-160 | E01 | 130,44 |
| | 5130307400 | KMBD-180 | E01 | 136,44 |
| | 5130307500 | KMBD-200 | E01 | 145,87 |
| | 5130307600 | KMBD-225 | E01 | 153,46 |
| | 5130307700 | KMBD-250 | E01 | 160,38 |
| | 5130307800 | KMBD-280 | E01 | 174,36 |
| | 5130307900 | KMBD-315 | E01 | 189,32 |
|  | 5130308000 | KMBD-355 | E01 | 207,11 |
| | 5130308100 | KMBD-400 | E01 | 226,20 |
| | 5130308200 | KMBD-450 | E01 | 239,16 |
| | 5130308300 | KMBD-500 | E01 | 259,14 |

Serie FR



Ventilador centrífugo de acoplamiento directo y simple aspiración. Fabricados en chapa de acero protegida contra la corrosión mediante tratamiento por cataforesis + pintura poliuretana. Temperaturas del aire a transportar -20°C/+100°C en continuo.

Motores

De 2, 4 ó 6 polos, de alta eficiencia IE 3*, tensión de alimentación trifásica 230/400V 50Hz hasta tamaño motor 112 y 400/690V 50Hz para motores de mayor dimensión. Protección IP55, Clase F.

* A partir de 0,75 kW el motor puede ser de eficiencia IE 2 controlado por convertidor de frecuencia.

Bajo pedido

- Fabricación en diferentes materiales constructivos.
- Motores de 2 velocidades.
- Versiones de 60 Hz.
- Pintura en diferentes RAL.
- Versión sin pie soporte (Motor-Brida, Sistema 5), hasta tamaño de motor 160.
- Versión para alta temperatura: hasta 220°C (versiones B: con rodete de refrigeración).
- SISTEMA 8: acoplamiento mediante junta elástica.
- Trampilla de inspección, purga de drenaje, distintos tipos de estanqueidad a nivel de voluta y de paso de eje.
- Ventiladores estancos.
- Calorifugado.



Rodete de álabes curvados hacia atrás

Versiones ATEX

Bajo pedido, versiones antiexplosivas según la Directiva ATEX para modelostrifásicos:
Para trabajar a temperaturas de -20°C a +60°C, presión ambiente (absoluta) de 0,8 bar hasta 1,1 bar, según EN 14986.

- Gas:
 - ⊗ 22G IIB T2-T3-T4
 - ⊗ 22G IIB+H2 T2-T3-T4
 - ⊗ 3G IIB T2-T3-T4
 - ⊗ 3G IIB+H2 T2-T3-T4
- Polvo no conductivo:
 - ⊗ 2D IIIB T125°C-T135°C-T195°C-T295°C
 - ⊗ 3D IIIB T125°C-T135°C-T195°C-T295°C
- Polvo conductivo (con motor IP65 IIIC):
 - ⊗ 2D IIIC T125°C-T135°C-T195°C-T295°C
 - ⊗ 3D IIIC T125°C-T135°C-T195°C-T295°C

Aplicaciones específicas



Versiones

| CUADRO DE APLICACIONES | |
|------------------------|---------------------------|
| Aire a transportar | Cantidad de polvo (mg/m³) |
| Aire limpio | <50 |

Es imprescindible comprobar que las características eléctricas (voltaje, intensidad, frecuencia, etc.) del motor que aparecen en la placa del mismo son compatibles con las de la instalación.

| Modelo | Tamaño motor | Velocidad (r.p.m.) | Potencia motor (kW) | Intensidad motor 400V (A) | Caudal máximo (m ³ /h) | Nivel presión sonora a 1 m (dB(A)) ⁽¹⁾ | Peso (kg) ⁽²⁾ | Momento de inercia (kg·m ²) ⁽³⁾ |
|---------------|--------------|--------------------|---------------------|---------------------------|-----------------------------------|---|--------------------------|--|
| 2 POLOS | | | | | | | | |
| FR 251/2 N4A | 71B2 | 2820 | 0,55 | 1,25 | 2.690 | 69 | 32 | 0,035 |
| FR 281/2 N4A | 80B2 | 2840 | 1,10 | 2,33 | 3.850 | 72 | 41 | 0,055 |
| FR 311/2 N4A | 90L2 | 2850 | 2,20 | 4,43 | 5.510 | 76 | 51 | 0,090 |
| FR 351/2 N4A | 100LA2 | 2900 | 3,00 | 5,77 | 8.350 | 79 | 79 | 0,150 |
| FR 402/2 N4A | 112M2 | 2910 | 4,00 | 7,50 | 10.100 | 82 | 94 | 0,270 |
| FR 401/2 N4A | 132SA2 | 2890 | 5,50 | 10,1 | 12.170 | 84 | 106 | 0,270 |
| FR 452/2 N4A | 132SB2 | 2890 | 7,50 | 13,9 | 14.360 | 85 | 123 | 0,480 |
| FR 451/2 N4A | 160MB2 | 2930 | 11,00 | 18,7 | 17.410 | 88 | 158 | 0,480 |
| FR 502/2 N4A | 160M2 | 2935 | 15,00 | 25,4 | 20.000 | 88 | 185 | 0,830 |
| FR 501/2 N4A | 160L2 | 2935 | 18,50 | 33,3 | 24.170 | 91 | 195 | 0,830 |
| 4 POLOS | | | | | | | | |
| FR 311/4 N4A | 63B4 | 1310 | 0,18 | 0,59 | 2.530 | 56 | 40 | 0,090 |
| FR 351/4 N4A | 71B4 | 1360 | 0,37 | 1,06 | 3.920 | 60 | 63 | 0,150 |
| FR 401/4 N4A | 80A4 | 1370 | 0,55 | 1,26 | 5.770 | 64 | 73 | 0,270 |
| FR 452/4 N4A | 80B4 | 1380 | 0,75 | 1,63 | 6.860 | 64 | 88 | 0,480 |
| FR 451/4 N4A | 90S4 | 1390 | 1,10 | 2,30 | 8.260 | 67 | 92 | 0,480 |
| FR 502/4 N4A | 90L4 | 1400 | 1,50 | 3,15 | 9.540 | 68 | 121 | 0,830 |
| FR 501/4 N4A | 100LA4 | 1420 | 2,20 | 4,56 | 11.690 | 71 | 128 | 0,830 |
| FR 562/4 N4A | 100LB4 | 1430 | 3,00 | 6,15 | 13.640 | 71 | 131 | 1,330 |
| FR 561/4 N4A | 112M4 | 1425 | 4,00 | 8,20 | 16.450 | 74 | 136 | 1,330 |
| FR 632/4 N4A | 132SA4 | 1440 | 5,50 | 10,30 | 19.670 | 75 | 184 | 2,180 |
| FR 631/4 N4A | 132MA4 | 1450 | 7,50 | 13,90 | 23.950 | 78 | 197 | 2,180 |
| FR 712/4 N4A | 160M4 | 1450 | 11,00 | 20,70 | 28.280 | 79 | 292 | 3,830 |
| FR 711/4 N4A | 160L4 | 1450 | 15,00 | 28,40 | 32.860 | 82 | 292 | 3,830 |
| FR 802/4 N4A | 180M4 | 1460 | 18,50 | 34,90 | 40.880 | 82 | 380 | 7,000 |
| FR 801/4 N4A | 180L4 | 1470 | 22,00 | 40,90 | 48.440 | 85 | 380 | 7,000 |
| FR 902/4 N4A | 225S4 | 1475 | 37,00 | 65,60 | 59.000 | 85 | 629 | 11,800 |
| FR 901/4 N4A | 225M4 | 1475 | 45,00 | 79,40 | 67.630 | 88 | 648 | 11,800 |
| FR 1002/4 N4A | 250M4 | 1475 | 55,00 | 96,90 | 79.650 | 90 | 830 | 19,500 |
| FR 1001/4 N4A | 280S4 | 1475 | 75,00 | 130,00 | 96.680 | 93 | 940 | 19,500 |
| 6 POLOS | | | | | | | | |
| FR 502/6 N4A | 80B6 | 930 | 0,55 | 1,45 | 7.660 | 56 | 115 | 0,830 |
| FR 501/6 N4A | 80B6 | 930 | 0,55 | 1,45 | 6.340 | 59 | 115 | 0,830 |
| FR 562/6 N4A | 90S6 | 930 | 0,75 | 1,95 | 10.740 | 59 | 120 | 1,330 |
| FR 561/6 N4A | 90L6 | 930 | 1,10 | 2,78 | 8.870 | 62 | 123 | 1,330 |
| FR 632/6 N4A | 100LA6 | 950 | 1,50 | 3,71 | 15.690 | 65 | 164 | 2,180 |
| FR 631/6 N4A | 112M6 | 950 | 2,20 | 5,94 | 12.980 | 68 | 171 | 2,180 |
| FR 712/6 N4A | 132SA6 | 950 | 3,00 | 8,10 | 21.750 | 69 | 275 | 3,830 |
| FR 711/6 N4A | 132MA6 | 960 | 4,00 | 7,30 | 18.530 | 72 | 275 | 3,830 |
| FR 802/6 N4A | 132MB6 | 960 | 5,50 | 12,80 | 31.800 | 72 | 336 | 7,000 |
| FR 801/6 N4A | 160M6 | 965 | 7,50 | 14,70 | 26.880 | 75 | 347 | 7,000 |
| FR 902/6 N4A | 160L6 | 965 | 11,00 | 21,50 | 38.600 | 75 | 459 | 11,800 |
| FR 901/6 N4A | 180L6 | 970 | 15,00 | 30,40 | 44.470 | 78 | 498 | 11,800 |
| FR 1002/6 N4A | 200LR6 | 970 | 18,50 | 37,30 | 52.380 | 79 | 695 | 19,500 |
| FR 1001/6 N4A | 200L6 | 970 | 22,00 | 43,00 | 63.580 | 82 | 715 | 19,500 |
| FR 1122/6 N4A | 225M6 | 975 | 30,00 | 54,20 | 75.210 | 82 | 1.070 | 33,500 |
| FR 1121/6 N4A | 250M6 | 980 | 37,00 | 66,60 | 87.990 | 85 | 1.210 | 33,500 |
| FR 1252/6 N4A | 280M6 | 980 | 55,00 | 102,00 | 104.960 | 85 | 1.474 | 59,500 |
| FR 1251/6 N4A | 315S6 | 985 | 75,00 | 136,00 | 127.020 | 88 | 1.594 | 59,500 |
| FR 1402/6 N4A | 315M6 | 985 | 90,00 | 163,00 | 147.160 | 89 | 2.037 | 105,000 |
| FR 1401/6 N4A | 315MA6 | 985 | 110,00 | 199,00 | 181.470 | 92 | 2.092 | 105,000 |

¹ Entubado en la descarga

Tolerancia del nivel de ruido de +3dB/A, medido en el punto de máxima eficiencia

² Con motor incluido y para orientación LG270 ó RD270

³ Momento de inercia del rodete

Versiones ESTÁNDAR

| Modelo | Grupo producto | Precio €/u. | Precio Ejecución B ⁽¹⁾ €/u. | Precio Ejecución C ⁽²⁾ €/u. | Puerta inspección €/u. | Precio Purga drenaje €/u. |
|--------------------|----------------|-------------|--|--|------------------------|---------------------------|
| 2 POLOS | | | | | | |
| FR 251/2 N4A 0,55 | E01 | 1.081,22 | 252,10 | 260,98 | 198,71 | 136,44 |
| FR 281/2 N4A 1,1 | E01 | 1.235,00 | 252,10 | 260,98 | 198,71 | 154,23 |
| FR 311/2 N4A 2,2 | E01 | 1.610,18 | 252,10 | 260,98 | 198,71 | 154,23 |
| FR 351/2 N4A 3 | E01 | 1.885,14 | 332,16 | 260,98 | 198,71 | 154,23 |
| FR 402/2 N4A 4 | E01 | 2.197,39 | 332,16 | 403,34 | 231,34 | 154,23 |
| FR 401/2 N4A 5,5 | E01 | 2.435,06 | 332,16 | 403,34 | 231,34 | 154,23 |
| FR 452/2 N4A 7,5 | E01 | 2.889,46 | 332,16 | 403,34 | 231,34 | 154,23 |
| FR 451/2 N4A 11 | E01 | 3.691,03 | 332,16 | 403,34 | 231,34 | 154,23 |
| FR 502/2 N4A 15 | E01 | 4.378,46 | 441,89 | 403,34 | 231,34 | 186,84 |
| FR 501/2 N4A 18,5 | E01 | 4.895,73 | 441,89 | 403,34 | 231,34 | 186,84 |
| 4 POLOS | | | | | | |
| FR 311/4 N4A 0,18 | E01 | 1.328,23 | 252,10 | 260,98 | 198,71 | 154,23 |
| FR 351/4 N4A 0,37 | E01 | 1.537,94 | 332,16 | 260,98 | 198,71 | 154,23 |
| FR 401/4 N4A 0,55 | E01 | 1.719,69 | 332,16 | 403,34 | 231,34 | 154,23 |
| FR 452/4 N4A 0,75 | E01 | 1.936,41 | 332,16 | 403,34 | 231,34 | 154,23 |
| FR 451/4 N4A 1,1 | E01 | 1.987,66 | 332,16 | 403,34 | 231,34 | 154,23 |
| FR 502/4 N4A 1,5 | E01 | 2.323,22 | 441,89 | 403,34 | 231,34 | 186,84 |
| FR 501/4 N4A 2,2 | E01 | 2.423,41 | 441,89 | 403,34 | 231,34 | 186,84 |
| FR 562/4 N4A 3 | E01 | 3.306,55 | 441,89 | 403,34 | 275,83 | 186,84 |
| FR 561/4 N4A 4 | E01 | 3.481,32 | 441,89 | 403,34 | 275,83 | 186,84 |
| FR 632/4 N4A 5,5 | E01 | 4.119,81 | 441,89 | 688,05 | 275,83 | 186,84 |
| FR 631/4 N4A 7,5 | E01 | 4.334,17 | 441,89 | 688,05 | 275,83 | 186,84 |
| FR 712/4 N4A 11 | E01 | 5.941,98 | 691,03 | 688,05 | 367,76 | serie |
| FR 711/4 N4A 15 | E01 | 6.326,49 | 691,03 | 688,05 | 367,76 | serie |
| FR 802/4 N4A 18,5 | E01 | 7.691,98 | 691,03 | 688,05 | 367,76 | serie |
| FR 801/4 N4A 22 | E01 | 8.025,20 | 691,03 | 688,05 | 367,76 | serie |
| FR 902/4 N4A 37 | E01 | 11.623,01 | 691,03 | 688,05 | 462,66 | serie |
| FR 901/4 N4A 45 | E01 | 12.503,82 | 691,03 | 688,05 | 462,66 | serie |
| FR 1002/4 N4A 55 | E01 | 14.917,93 | 886,77 | 907,51 | 462,66 | serie |
| FR 1001/4 N4A 75 | E01 | 20.337,96 | 886,77 | 907,51 | 462,66 | serie |
| 6 POLOS | | | | | | |
| FR 502/6 N4A 0,55 | E01 | 2.292,92 | 441,89 | 403,34 | 231,34 | 186,84 |
| FR 501/6 N4A 0,55 | E01 | 2.292,92 | 441,89 | 403,34 | 231,34 | 186,84 |
| FR 562/6 N4A 0,75 | E01 | 3.131,79 | 441,89 | 403,34 | 275,83 | 186,84 |
| FR 561/6 N4A 1,1 | E01 | 3.124,78 | 441,89 | 403,34 | 275,83 | 186,84 |
| FR 632/6 N4A 1,5 | E01 | 3.707,35 | 441,89 | 688,05 | 275,83 | 186,84 |
| FR 631/6 N4A 2,2 | E01 | 3.949,68 | 441,89 | 688,05 | 275,83 | 186,84 |
| FR 712/6 N4A 3 | E01 | 4.905,05 | 691,03 | 688,05 | 367,76 | serie |
| FR 711/6 N4A 4 | E01 | 5.091,48 | 691,03 | 688,05 | 367,76 | serie |
| FR 802/6 N4A 5,5 | E01 | 6.014,25 | 691,03 | 688,05 | 367,76 | serie |
| FR 801/6 N4A 7,5 | E01 | 6.685,34 | 691,03 | 688,05 | 367,76 | serie |
| FR 902/6 N4A 11 | E01 | 8.859,41 | 691,03 | 688,05 | 462,66 | serie |
| FR 901/6 N4A 15 | E01 | 9.742,56 | 691,03 | 688,05 | 462,66 | serie |
| FR 1002/6 N4A 18,5 | E01 | 11.632,34 | 886,77 | 907,51 | 462,66 | serie |
| FR 1001/6 N4A 22 | E01 | 12.333,74 | 886,77 | 907,51 | 462,66 | serie |
| FR 1122/6 N4A 30 | E01 | 15.912,90 | 1.106,23 | 907,51 | 462,66 | serie |
| FR 1121/6 N4A 37 | E01 | 17.434,51 | 1.106,23 | 907,51 | 462,66 | serie |
| FR 1252/6 N4A 55 | E01 | 27.452,02 | 1.106,23 | 907,51 | 462,66 | serie |
| FR 1251/6 N4A 75 | E01 | 29.024,92 | 1.106,23 | 907,51 | 462,66 | serie |
| FR 1402/6 N4A 90 | E01 | 37.637,35 | 1.106,23 | 907,51 | serie | serie |
| FR 1401/6 N4A 110 | E01 | 41.323,70 | 1.106,23 | 907,51 | serie | serie |

¹ Ejecución B: rodete de refrigeración para alta temperatura

² Ejecución C: aro de aspiración antichispas (sin certificado ATEX)

 Versiones ATEX

| Modelo | Grupo producto | Precio ATEX II 3G/ ⁽¹⁾ €/u. | Precio ATEX II 3D/ ⁽²⁾ €/u. | Precio ATEX Cat. 3G Zona 2 II 3G Ex Na IIC T4 Gc €/u. | Precio ATEX Cat.3D Zona 2 II 3D Ex tc IIIC T125°C Dc €/u. | Precio ATEX Cat. 2G Zona 1 II 2G IIB T4 €/u. |
|--------------------|----------------|--|--|---|---|--|
| 2 POLOS | | | | | | |
| FR 251/2 N4A 0,55 | E01 | 2.967,28 | 2.112,84 | - | - | - |
| FR 281/2 N4A 1,1 | E01 | 3.128,86 | 2.274,40 | 3.251,27 | 2.516,80 | 4.233,01 |
| FR 311/2 N4A 2,2 | E01 | 3.542,60 | 2.680,81 | 3.623,38 | 2.967,28 | 4.761,82 |
| FR 351/2 N4A 3 | E01 | 3.831,50 | 2.969,72 | 4.027,37 | 3.275,75 | 5.371,43 |
| FR 402/2 N4A 4 | E01 | 4.509,67 | 3.530,37 | 4.663,90 | 3.890,26 | 6.426,64 |
| FR 401/2 N4A 5,5 | E01 | 4.759,39 | 3.780,09 | 5.126,60 | 4.257,49 | 7.192,91 |
| FR 452/2 N4A 7,5 | E01 | 5.337,16 | 4.257,49 | 5.613,81 | 4.798,56 | 8.936,07 |
| FR 451/2 N4A 11 | E01 | 6.179,35 | 5.099,68 | 6.671,46 | 6.194,05 | 9.445,31 |
| FR 502/2 N4A 15 | E01 | 6.984,83 | 5.821,91 | 7.401,01 | 7.307,99 | 11.009,71 |
| FR 501/2 N4A 18,5 | E01 | 7.528,33 | 6.365,42 | 7.694,82 | 8.037,57 | 12.084,49 |
| 4 POLOS | | | | | | |
| FR 311/4 N4A 0,18 | E01 | 3.246,37 | 2.384,60 | - | - | - |
| FR 351/4 N4A 0,37 | E01 | 3.466,70 | 2.604,94 | - | - | - |
| FR 401/4 N4A 0,55 | E01 | 4.007,76 | 3.028,48 | - | - | - |
| FR 452/4 N4A 0,75 | E01 | 4.335,82 | 3.256,17 | 4.487,63 | 3.503,43 | 5.344,51 |
| FR 451/4 N4A 1,1 | E01 | 4.389,70 | 3.310,02 | 4.617,38 | 3.574,43 | 5.559,94 |
| FR 502/4 N4A 1,5 | E01 | 4.825,47 | 3.662,56 | 5.075,19 | 3.963,70 | 6.110,80 |
| FR 501/4 N4A 2,2 | E01 | 4.930,76 | 3.767,83 | 5.214,75 | 4.110,61 | 6.448,65 |
| FR 562/4 N4A 3 | E01 | 6.064,29 | 4.734,90 | 6.350,73 | 5.121,71 | 7.888,22 |
| FR 561/4 N4A 4 | E01 | 6.247,90 | 4.918,51 | 6.514,77 | 5.315,13 | 8.492,93 |
| FR 632/4 N4A 5,5 | E01 | 7.782,94 | 6.012,89 | 8.223,64 | 6.556,38 | 10.292,38 |
| FR 631/4 N4A 7,5 | E01 | 8.008,19 | 6.238,11 | 8.412,12 | 6.921,17 | 11.117,43 |
| FR 712/4 N4A 11 | E01 | 10.542,11 | 9.584,84 | 10.985,24 | 10.688,98 | 14.070,01 |
| FR 711/4 N4A 15 | E01 | 10.946,07 | 9.988,80 | 11.403,88 | 11.518,95 | 15.059,10 |
| FR 802/4 N4A 18,5 | E01 | 13.242,50 | 11.680,54 | 13.719,94 | 13.056,46 | 19.020,35 |
| FR 801/4 N4A 22 | E01 | 13.592,61 | 12.030,64 | 13.979,44 | 13.886,40 | 20.773,28 |
| FR 902/4 N4A 37 | E01 | 17.722,78 | 16.581,90 | 18.283,41 | 18.932,19 | 28.468,10 |
| FR 901/4 N4A 45 | E01 | 18.648,22 | 17.507,36 | 19.069,32 | 20.609,26 | 30.735,17 |
| FR 1002/4 N4A 55 | E01 | 21.965,59 | 20.814,91 | 22.416,05 | 24.406,46 | 36.975,72 |
| FR 1001/4 N4A 75 | E01 | 27.660,18 | 26.509,51 | 26.071,26 | 34.784,53 | 45.600,84 |
| 6 POLOS | | | | | | |
| FR 502/6 N4A 0,55 | E01 | 4.793,66 | 3.630,76 | - | - | - |
| FR 501/6 N4A 0,55 | E01 | 4.793,66 | 3.630,76 | - | - | - |
| FR 562/6 N4A 0,75 | E01 | 5.880,65 | 4.551,29 | 5.995,76 | 4.788,74 | 7.050,92 |
| FR 561/6 N4A 1,1 | E01 | 5.873,33 | 4.543,93 | 6.061,84 | 4.923,41 | 7.236,99 |
| FR 632/6 N4A 1,5 | E01 | 7.349,59 | 5.579,54 | 7.618,92 | 5.922,29 | 8.967,90 |
| FR 631/6 N4A 2,2 | E01 | 7.604,24 | 5.834,15 | 7.763,36 | 6.152,43 | 9.362,07 |
| FR 712/6 N4A 3 | E01 | 9.452,65 | 8.495,40 | 9.763,58 | 8.850,41 | 12.153,06 |
| FR 711/6 N4A 4 | E01 | 9.648,49 | 8.691,25 | 9.920,26 | 9.163,74 | 12.765,10 |
| FR 802/6 N4A 5,5 | E01 | 11.479,80 | 9.917,80 | 11.793,17 | 10.593,54 | 15.198,66 |
| FR 801/6 N4A 7,5 | E01 | 12.184,89 | 10.622,91 | 12.495,80 | 11.915,57 | 15.864,58 |
| FR 902/6 N4A 11 | E01 | 14.819,17 | 13.678,28 | 14.706,55 | 15.257,41 | 19.539,39 |
| FR 901/6 N4A 15 | E01 | 15.747,04 | 14.606,19 | 15.436,13 | 16.239,14 | 23.130,93 |
| FR 1002/6 N4A 18,5 | E01 | 18.513,56 | 17.362,89 | 18.214,88 | 19.169,70 | 25.708,92 |
| FR 1001/6 N4A 22 | E01 | 19.250,49 | 18.099,82 | 18.623,74 | 20.232,22 | 28.578,26 |
| FR 1122/6 N4A 30 | E01 | 21.018,11 | 19.598,14 | 20.976,48 | 22.758,81 | 33.496,77 |
| FR 1121/6 N4A 37 | E01 | 22.616,82 | 21.196,82 | 22.242,22 | 24.670,88 | 38.018,67 |
| FR 1252/6 N4A 55 | E01 | 33.367,01 | 31.851,56 | 30.434,03 | 40.486,47 | 55.445,19 |
| FR 1251/6 N4A 75 | E01 | 35.019,56 | 33.504,11 | 38.767,81 | 47.525,16 | 67.013,10 |
| FR 1402/6 N4A 90 | E01 | 44.068,26 | 42.552,78 | 47.395,41 | 59.996,46 | 93.211,67 |
| FR 1401/6 N4A 110 | E01 | 47.941,36 | 46.425,90 | 51.084,91 | 67.145,32 | 100.101,02 |

¹ Interno ATEX 3G, exterior no clasificado.

² Interno ATEX 3D, exterior no clasificado.

Serie FRC



Ventilador centrífugo de acoplamiento directo y simple aspiración. Fabricados en chapa de acero protegida contra la corrosión por pintura poliéster. Rodete de álabes curvados hacia atrás con acabado cincado en frío o en chapa de acero protegida contra la corrosión por pintura poliéster, equilibrado dinámicamente. Temperaturas del aire a transportar -20°C/+100°C en continuo. Preparados para transportar aire limpio.

Motores

De 2, 4 ó 6 polos de alta eficiencia IE 3*, tensión de alimentación trifásica 230/400V 50Hz tamaño motor 112 y 400/690V 50Hz para motores de mayor dimensión. Protección IP55, Clase F.

* A partir de 0,75 kW el motor puede ser de eficiencia IE 2 controlado por convertidor de frecuencia.

Bajo pedido

- Fabricación en diferentes materiales constructivos.
- Motores de 2 velocidades.
- Versiones de 60 Hz.
- Pintura en diferentes RAL.
- Voluta galvanizada en caliente.
- Versión para alta temperatura: hasta 220°C (versiones B: con rodete de refrigeración).
- Trampilla de inspección, purga de drenaje, distintos tipos de estanqueidad a nivel de voluta y de paso de eje.



Rodete de álabes curvados hacia atrás

Versiones ATEX

Bajo pedido, versiones antiexplosivas según la Directiva ATEX para modelos trifásicos: Para trabajar a temperaturas de -20°C a +60°C, presión ambiente (absoluta) de 0,8 bar hasta 1,1 bar, según EN 14986.

- Gas:
 - ⊗ 2G IIB T2-T3-T4, Motor Exd IIB or Exell
 - ⊗ 2G IIB+H2 T2-T3-T4, Motor ExdIIC
 - ⊗ 3G IIB T2-T3-T4, Motor ExnA (sólo para categoría 3G)
 - ⊗ 3G IIB+H2 T2-T3-T4, Motor ExnA (sólo para categoría 3G)
- Polvo no conductivo:
 - ⊗ 2D IIIB T125°C-T135°C-T195°C-T295°C
 - ⊗ 3D IIIB T125°C-T135°C-T195°C-T295°C
- Polvo conductivo (con motor IP65 IIIC):
 - ⊗ 2D IIIC T125°C-T135°C-T195°C-T295°C
 - ⊗ 3D IIIC T125°C-T135°C-T195°C-T295°C

Aplicaciones específicas



Versiones

| CUADRO DE APLICACIONES | |
|------------------------|---------------------------|
| Aire a transportar | Cantidad de polvo (mg/m³) |
| Aire limpio | 50 |

Es imprescindible comprobar que las características eléctricas (voltaje, intensidad, frecuencia, etc.) del motor que aparecen en la placa del mismo son compatibles con las de la instalación.

| Modelo | Velocidad (r.p.m.) | Potencia motor (kW) | Intensidad motor 400V (A) | Caudal máximo (m³/h) | Nivel presión sonora (dB(A)) |
|---------------|--------------------|---------------------|---------------------------|----------------------|------------------------------|
| 2 POLOS | | | | | |
| FRC 281/2 N5A | 2.800 | 1,10 | 2,26 | 3.763 | 64,7 |
| FRC 311/2 N5A | 2.845 | 1,50 | 3,01 | 5.473 | 68,6 |
| FRC 352/2 N5A | 2.855 | 2,20 | 4,42 | 6.249 | 70,1 |
| FRC 351/2 N5A | 2.890 | 3,00 | 5,64 | 8.051 | 72,8 |
| FRC 402/2 N5A | 2.890 | 4,00 | 7,49 | 9.744 | 74,7 |
| FRC 401/2 N5A | 2.930 | 5,50 | 10,2 | 12.137 | 77,1 |
| FRC 452/2 N5A | 2.920 | 7,50 | 13,07 | 14.717 | 79,0 |
| FRC 451/2 N5A | 2.930 | 11,00 | 20,4 | 16.900 | 80,4 |
| FRC 502/2 N5A | 2.945 | 15,00 | 27,6 | 21.100 | 82,5 |
| FRC 501/2 N5A | 2.930 | 18,50 | 33,7 | 23.146 | 83,6 |
| 4 POLOS | | | | | |
| FRC 352/4 N5A | 1.385 | 0,25 | 0,70 | 3.058 | 54,4 |
| FRC 351/4 N5A | 1.385 | 0,37 | 1,03 | 3.830 | 56,8 |
| FRC 402/4 N5A | 1.420 | 0,55 | 1,30 | 4.754 | 59,2 |
| FRC 401/4 N5A | 1.410 | 0,75 | 1,65 | 5.799 | 61,2 |
| FRC 452/4 N5A | 1.440 | 1,10 | 2,37 | 7.182 | 63,7 |
| FRC 451/4 N5A | 1.440 | 1,10 | 2,37 | 7.600 | 65,0 |
| FRC 451/4 N5A | 1.440 | 1,50 | 3,30 | 8.045 | 65,0 |
| FRC 502/4 N5A | 1.440 | 1,50 | 3,30 | 6.629 | 67,0 |
| FRC 502/4 N5A | 1.420 | 2,20 | 4,43 | 9.813 | 66,7 |
| FRC 501/4 N5A | 1.420 | 2,20 | 4,43 | 11.078 | 67,9 |
| FRC 562/4 N5A | 1.420 | 2,20 | 4,43 | 7.435 | 69,4 |
| FRC 562/4 N5A | 1.425 | 3,00 | 5,96 | 14.000 | 69,4 |
| FRC 561/4 N5A | 1.425 | 3,00 | 5,96 | 9.596 | 71,1 |
| FRC 561/4 N5A | 1.440 | 4,00 | 7,85 | 15.800 | 71,3 |
| FRC 632/4 N5A | 1.440 | 4,00 | 7,85 | 10.718 | 73,4 |
| FRC 632/4 N5A | 1.460 | 5,50 | 10,40 | 21.000 | 73,7 |
| FRC 631/4 N5A | 1.460 | 5,50 | 10,40 | 14.803 | 75,2 |
| FRC 631/4 N5A | 1.460 | 7,50 | 13,90 | 22.431 | 75,2 |
| FRC 712/4 N5A | 1.460 | 7,50 | 13,90 | 13.000 | 77,1 |
| FRC 712/4 N5A | 1.465 | 11,00 | 21,20 | 28.900 | 77,2 |
| FRC 711/4 N5A | 1.465 | 11,00 | 21,20 | 32.000 | 78,9 |
| FRC 802/4 N5A | 1.460 | 15,00 | 28,70 | 33.335 | 80,9 |
| FRC 802/4 N5A | 1.460 | 18,50 | 35,10 | 42.500 | 80,9 |
| FRC 801/4 N5A | 1.460 | 18,50 | 35,10 | 28.235 | 82,9 |
| FRC 801/4 N5A | 1.460 | 22,00 | 40,50 | 47.673 | 82,9 |
| 6 POLOS | | | | | |
| FRC 502/6 N5A | 910 | 0,55 | 1,57 | 6.379 | 57,0 |
| FRC 501/6 N5A | 910 | 0,75 | 1,94 | 7.122 | 58,2 |
| FRC 562/6 N5A | 910 | 0,75 | 1,94 | 8.233 | 59,7 |
| FRC 561/6 N5A | 910 | 1,10 | 2,88 | 9.819 | 61,4 |
| FRC 632/6 N5A | 940 | 1,50 | 3,80 | 12.343 | 64,2 |
| FRC 631/6 N5A | 940 | 1,50 | 3,80 | 8.021 | 65,7 |
| FRC 631/6 N5A | 945 | 2,20 | 5,26 | 14.134 | 65,8 |
| FRC 712/6 N5A | 945 | 2,20 | 5,26 | 11.891 | 67,6 |
| FRC 712/6 N5A | 955 | 3,00 | 6,76 | 17.371 | 67,9 |
| FRC 711/6 N5A | 955 | 3,00 | 6,76 | 14.991 | 69,6 |
| FRC 711/6 N5A | 955 | 4,00 | 8,71 | 20.452 | 69,6 |
| FRC 802/6 N5A | 955 | 4,00 | 8,71 | 15.907 | 71,7 |
| FRC 802/6 N5A | 960 | 5,50 | 12,40 | 25.353 | 71,8 |
| FRC 801/6 N5A | 960 | 5,50 | 12,40 | 19.659 | 73,7 |
| FRC 801/6 N5A | 965 | 7,50 | 15,00 | 31.347 | 73,9 |

Versiones ESTÁNDAR

| Modelo | Grupo producto | Precio €/u. | Precio Ejecución B ⁽¹⁾ €/u. | Precio Ejecución C ⁽²⁾ €/u. | Puerta inspección €/u. | Precio Purga drenaje €/u. |
|--------------------|----------------|-------------|--|--|------------------------|---------------------------|
| 2 POLOS | | | | | | |
| FRC 281/2 N5A 1,1 | E01 | 2.038,27 | 252,10 | 260,98 | 198,71 | 154,23 |
| FRC 311/2 N5A 1,5 | E01 | 2.473,73 | 252,10 | 260,98 | 198,71 | 154,23 |
| FRC 352/2 N5A 2,2 | E01 | 2.514,55 | 332,16 | 260,98 | 198,71 | 154,23 |
| FRC 351/2 N5A 3 | E01 | 2.404,68 | 332,16 | 260,98 | 198,71 | 154,23 |
| FRC 402/2 N5A 4 | E01 | 2.876,46 | 332,16 | 403,34 | 231,34 | 154,23 |
| FRC 401/2 N5A 5,5 | E01 | 3.443,81 | 332,16 | 403,34 | 231,34 | 154,23 |
| FRC 452/2 N5A 7,5 | E01 | 3.922,02 | 332,16 | 403,34 | 231,34 | 154,23 |
| FRC 451/2 N4A 11 | E01 | 4.576,61 | 332,16 | 403,34 | 231,34 | 154,23 |
| FRC 502/2 N5A 15 | E01 | 5.332,33 | 441,89 | 403,34 | 231,34 | 186,84 |
| FRC 501/2 N4A 18,5 | E01 | 5.325,39 | 441,89 | 403,34 | 231,34 | 186,84 |
| 4 POLOS | | | | | | |
| FRC 352/4 N5A 0,25 | E01 | 1.818,80 | 332,16 | 260,98 | 198,71 | 154,23 |
| FRC 351/4 N5A 0,37 | E01 | 1.802,22 | 332,16 | 260,98 | 198,71 | 154,23 |
| FRC 402/4 N5A 0,55 | E01 | 2.274,19 | 332,16 | 403,34 | 231,34 | 154,23 |
| FRC 401/4 N5A 0,75 | E01 | 2.290,90 | 332,16 | 403,34 | 231,34 | 154,23 |
| FRC 452/4 N5A 1,1 | E01 | 2.586,79 | 332,16 | 403,34 | 231,34 | 154,23 |
| FRC 451/4 N5A 1,1 | E01 | 2.578,39 | 332,16 | 403,34 | 231,34 | 154,23 |
| FRC 451/4 N5A 1,5 | E01 | 2.525,66 | 332,16 | 403,34 | 231,34 | 154,23 |
| FRC 502/4 N5A 1,5 | E01 | 2.859,48 | 441,89 | 403,34 | 231,34 | 186,84 |
| FRC 502/4 N5A 2,2 | E01 | 2.964,03 | 441,89 | 403,34 | 231,34 | 186,84 |
| FRC 501/4 N5A 2,2 | E01 | 2.948,25 | 441,89 | 403,34 | 231,34 | 186,84 |
| FRC 562/4 N5A 2,2 | E01 | 3.434,34 | 441,89 | 403,34 | 275,83 | 186,84 |
| FRC 562/4 N5A 3 | E01 | 3.533,67 | 441,89 | 403,34 | 275,83 | 186,84 |
| FRC 561/4 N5A 3 | E01 | 3.795,21 | 441,89 | 403,34 | 275,83 | 186,84 |
| FRC 561/4 N5A 4 | E01 | 4.035,41 | 441,89 | 403,34 | 275,83 | 186,84 |
| FRC 632/4 N5A 4 | E01 | 4.144,77 | 441,89 | 688,06 | 275,83 | 186,84 |
| FRC 632/4 N5A 5,5 | E01 | 4.327,76 | 441,89 | 688,06 | 275,83 | 186,84 |
| FRC 631/4 N5A 5,5 | E01 | 4.315,63 | 441,89 | 688,06 | 275,83 | 186,84 |
| FRC 631/4 N5A 7,5 | E01 | 4.524,74 | 441,89 | 688,06 | 275,83 | 186,84 |
| FRC 712/4 N5A 7,5 | E01 | 5.495,06 | 691,03 | 688,06 | 367,76 | 219,48 |
| FRC 712/4 N4A 11 | E01 | 6.559,20 | 691,03 | 688,06 | 367,76 | 219,48 |
| FRC 711/4 N4A 11 | E01 | 6.511,48 | 691,03 | 688,06 | 367,76 | 219,48 |
| FRC 802/4 N4A 15 | E01 | 8.349,13 | 691,03 | 688,06 | 367,76 | 219,48 |
| FRC 802/4 N4A 18,5 | E01 | 9.154,24 | 691,03 | 688,06 | 367,76 | 219,48 |
| FRC 801/4 N4A 18,5 | E01 | 9.049,67 | 691,03 | 688,06 | 367,76 | 219,48 |
| FRC 801/4 N4A 22 | E01 | 9.488,85 | 691,03 | 688,06 | 367,76 | 219,48 |
| 6 POLOS | | | | | | |
| FRC 502/6 N5A 0,55 | E01 | 2.692,44 | 441,89 | 403,34 | 231,34 | 186,84 |
| FRC 501/6 N5A 0,75 | E01 | 2.698,91 | 441,89 | 403,34 | 231,34 | 186,84 |
| FRC 562/6 N5A 0,75 | E01 | 3.808,97 | 441,89 | 403,34 | 275,83 | 186,84 |
| FRC 561/6 N5A 1,1 | E01 | 3.881,38 | 441,89 | 688,06 | 275,83 | 186,84 |
| FRC 632/6 N5A 1,5 | E01 | 4.129,57 | 441,89 | 688,06 | 275,83 | 186,84 |
| FRC 631/6 N5A 1,5 | E01 | 3.994,14 | 441,89 | 688,06 | 275,83 | 186,84 |
| FRC 631/6 N5A 2,2 | E01 | 4.114,39 | 441,89 | 688,06 | 275,83 | 186,84 |
| FRC 712/6 N5A 2,2 | E01 | 5.325,99 | 691,03 | 688,06 | 367,76 | 219,48 |
| FRC 712/6 N5A 3 | E01 | 5.519,22 | 691,03 | 688,06 | 367,76 | 219,48 |
| FRC 711/6 N5A 3 | E01 | 5.470,38 | 691,03 | 688,06 | 367,76 | 219,48 |
| FRC 711/6 N5A 4 | E01 | 5.621,62 | 691,03 | 688,06 | 367,76 | 219,48 |
| FRC 802/6 N5A 4 | E01 | 7.806,69 | 691,03 | 688,06 | 367,76 | 219,48 |
| FRC 802/6 N5A 5,5 | E01 | 8.291,08 | 691,03 | 688,06 | 367,76 | 219,48 |
| FRC 801/6 N5A 5,5 | E01 | 8.122,77 | 691,03 | 688,06 | 367,76 | 219,48 |
| FRC 801/6 N5A 7,5 | E01 | 8.608,87 | 691,03 | 688,06 | 367,76 | 219,48 |

¹ Ejecución B: rodete de refrigeración para alta temperatura² Ejecución C: aro de aspiración antichispas (sin certificado ATEX)

 Versiones ATEX

| Modelo | Grupo producto | Precio ATEX II 3G/ ⁽¹⁾ €/u. | Precio ATEX II 3D/ ⁽²⁾ €/u. | Precio ATEX IIG Eex-e II T3 €/u. | Precio ATEX Cat.3D Zona 22 II 3D Ex tc IIIC T125°C Dc €/u. | Precio ATEX Cat. 2G Zona 1 II 2G IIB T5 €/u. |
|--------------------|----------------|--|--|----------------------------------|--|--|
| 2 POLOS | | | | | | |
| FRC 281/2 N5A 1,1 | E01 | 3.348,10 | 2.607,57 | 3.624,14 | 2.955,33 | 3.995,28 |
| FRC 311/2 N5A 1,5 | E01 | 3.545,95 | 2.799,05 | 3.975,31 | 3.187,66 | 4.213,34 |
| FRC 352/2 N5A 2,2 | E01 | 3.708,75 | 2.961,87 | 4.068,72 | 3.409,49 | 4.416,37 |
| FRC 351/2 N5A 3 | E01 | 3.840,06 | 3.093,19 | 4.325,47 | 3.588,72 | 4.731,87 |
| FRC 402/2 N5A 4 | E01 | 4.468,90 | 3.620,20 | 5.392,37 | 4.207,40 | 5.626,13 |
| FRC 401/2 N5A 5,5 | E01 | 4.853,00 | 4.004,29 | 5.779,70 | 4.816,41 | 6.244,78 |
| FRC 452/2 N5A 7,5 | E01 | 5.276,41 | 4.340,69 | 6.196,68 | 5.311,15 | 6.837,75 |
| FRC 451/2 N4A 11 | E01 | 6.210,91 | 5.275,20 | 7.565,70 | 6.510,62 | 7.813,34 |
| FRC 502/2 N5A 15 | E01 | 6.660,58 | 5.652,73 | 8.437,89 | 7.574,55 | 8.903,97 |
| FRC 501/2 N4A 18,5 | E01 | 7.133,10 | 6.125,23 | 8.785,43 | 8.296,82 | 9.634,75 |
| 4 POLOS | | | | | | |
| FRC 352/4 N5A 0,25 | E01 | 3.326,04 | 2.579,15 | 3.480,88 | 2.836,92 | 3.839,13 |
| FRC 351/4 N5A 0,37 | E01 | 3.347,02 | 2.600,15 | 3.507,86 | 2.946,79 | 3.887,10 |
| FRC 402/4 N5A 0,55 | E01 | 4.054,37 | 3.205,64 | 4.249,99 | 3.578,57 | 4.605,32 |
| FRC 401/4 N5A 0,75 | E01 | 4.032,17 | 3.183,46 | 4.252,14 | 3.631,89 | 4.613,81 |
| FRC 452/4 N5A 1,1 | E01 | 4.272,68 | 3.336,96 | 4.561,20 | 3.860,95 | 4.944,34 |
| FRC 451/4 N5A 1,1 | E01 | 4.226,67 | 3.290,97 | 4.515,20 | 3.814,96 | 4.898,35 |
| FRC 451/4 N5A 1,5 | E01 | 4.280,38 | 3.344,67 | 4.581,81 | 3.931,58 | 5.010,12 |
| FRC 502/4 N5A 1,5 | E01 | 4.604,04 | 3.596,17 | 4.905,10 | 4.183,07 | 5.333,75 |
| FRC 502/4 N5A 2,2 | E01 | 4.690,98 | 3.683,12 | 5.157,25 | 4.404,87 | 5.547,68 |
| FRC 501/4 N5A 2,2 | E01 | 4.678,95 | 3.671,11 | 5.145,20 | 4.392,86 | 5.535,62 |
| FRC 562/4 N5A 2,2 | E01 | 5.182,33 | 4.030,21 | 5.648,61 | 4.751,95 | 6.039,01 |
| FRC 562/4 N5A 3 | E01 | 5.269,19 | 4.117,06 | 5.668,10 | 5.173,09 | 6.302,96 |
| FRC 561/4 N5A 3 | E01 | 5.238,31 | 4.086,19 | 5.637,23 | 5.142,24 | 6.272,10 |
| FRC 561/4 N5A 4 | E01 | 5.401,18 | 4.249,03 | 5.955,24 | 5.489,78 | 6.742,88 |
| FRC 632/4 N5A 4 | E01 | 6.604,56 | 5.070,48 | 7.158,59 | 6.311,24 | 7.946,27 |
| FRC 632/4 N5A 5,5 | E01 | 6.885,69 | 5.351,62 | 7.877,68 | 6.685,96 | 8.253,07 |
| FRC 631/4 N5A 5,5 | E01 | 6.855,01 | 5.320,94 | 7.846,99 | 6.655,29 | 8.222,38 |
| FRC 631/4 N5A 7,5 | E01 | 7.019,02 | 5.484,94 | 7.989,96 | 7.630,18 | 8.773,48 |
| FRC 712/4 N5A 7,5 | E01 | 8.468,52 | 7.638,89 | 9.439,46 | 9.784,13 | 10.222,98 |
| FRC 712/4 N4A 11 | E01 | 9.280,05 | 8.450,44 | 10.947,86 | 11.073,16 | 11.237,00 |
| FRC 711/4 N4A 11 | E01 | 9.311,84 | 8.482,20 | 10.979,61 | 11.104,93 | 11.268,76 |
| FRC 802/4 N4A 15 | E01 | 11.982,27 | 10.628,58 | 13.831,12 | 14.002,15 | 14.254,73 |
| FRC 802/4 N4A 18,5 | E01 | 12.278,45 | 10.924,73 | 14.692,40 | 13.598,38 | 16.006,77 |
| FRC 801/4 N4A 18,5 | E01 | 13.070,26 | 11.716,57 | 14.775,51 | 13.681,47 | 16.089,88 |
| FRC 801/4 N4A 22 | E01 | 13.070,26 | 11.716,57 | 16.145,84 | 14.792,10 | 17.208,23 |
| 6 POLOS | | | | | | |
| FRC 502/6 N5A 0,55 | E01 | 4.557,35 | 3.549,49 | 4.853,55 | 4.135,59 | 5.145,30 |
| FRC 501/6 N5A 0,75 | E01 | 4.561,86 | 3.553,99 | 4.875,38 | 4.221,65 | 5.235,84 |
| FRC 562/6 N5A 0,75 | E01 | 5.107,13 | 3.955,00 | 5.420,68 | 4.622,67 | 5.781,13 |
| FRC 561/6 N5A 1,1 | E01 | 5.874,08 | 4.340,01 | 6.227,88 | 4.943,98 | 6.603,79 |
| FRC 632/6 N5A 1,5 | E01 | 6.421,94 | 4.887,88 | 7.173,95 | 5.856,08 | 7.328,55 |
| FRC 631/6 N5A 1,5 | E01 | 6.374,11 | 4.840,05 | 7.126,12 | 5.808,26 | 7.280,77 |
| FRC 631/6 N5A 2,2 | E01 | 6.492,63 | 4.958,56 | 7.587,48 | 6.305,21 | 7.573,66 |
| FRC 712/6 N5A 2,2 | E01 | 7.957,92 | 7.128,29 | 9.052,76 | 8.474,93 | 9.038,93 |
| FRC 712/6 N5A 3 | E01 | 8.158,37 | 7.328,76 | 9.826,01 | 8.771,90 | 9.834,69 |
| FRC 711/6 N5A 3 | E01 | 8.195,25 | 7.365,61 | 9.864,65 | 8.808,73 | 9.871,54 |
| FRC 711/6 N5A 4 | E01 | 8.352,03 | 7.522,41 | 10.116,30 | 9.452,73 | 10.280,04 |
| FRC 802/6 N5A 4 | E01 | 10.680,49 | 9.326,77 | 12.444,78 | 11.257,08 | 12.608,50 |
| FRC 802/6 N5A 5,5 | E01 | 11.130,40 | 9.776,68 | 12.696,60 | 11.884,67 | 13.123,00 |
| FRC 801/6 N5A 5,5 | E01 | 11.170,92 | 9.817,21 | 12.738,02 | 11.926,06 | 13.164,41 |
| FRC 801/6 N5A 7,5 | E01 | 11.742,46 | 10.388,74 | 15.049,85 | 12.822,71 | 13.683,72 |

¹ Interno ATEX 3G, exterior no clasificado.

² Interno ATEX 3D, exterior no clasificado.

Serie FRP



Ventilador centrífugo de acoplamiento directo y simple aspiración. Fabricados en chapa de acero galvanizado. Voluta con puerta de inspección y brida doble incluida. Ventilador ExII2/-G (paso de aire antichispas y motor normal de serie). Rodete de álabes curvados hacia atrás con acabado cincado en frío o en chapa de acero protegida contra la corrosión con pintura poliéster, equilibrado dinámicamente. Temperaturas del aire a transportar -20°C/+100°C en continuo (carga de polvo hasta un máximo de 50 mg/m³). Preparados para transportar aire limpio.

Motores

De 4 polos, de alta eficiencia IE 2*, tensión de alimentación trifásica 230/400V 50Hz tamaño motor 112 y 400/690V 50Hz para motores de mayor dimensión. Protección IP55, Clase F.

* A partir de 7,5 kW el motor tiene que ir con convertidor de frecuencia o con motor IE 3.

Bajo pedido

- Fabricación en diferentes materiales constructivos.
- Modelos 631 y 632 con voluta tipo FR.
- Motores de 2 velocidades.
- Versiones de 60 Hz.
- Pintura en diferentes RAL.
- Versión para alta temperatura: hasta 220°C (versiones B: con rodete de refrigeración).

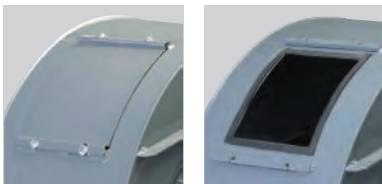
Versiones ATEX

Bajo pedido, versiones antiexplosivas según la Directiva ATEX para modelos trifásicos: Para trabajar a temperaturas de -20°C a +60°C, presión ambiente (absoluta) de 0,8 bar hasta 1,1 bar, según EN 14986.

- Gas:
 - ⊗ 2G IIB T2-T3-T4, Motor Exd IIB or Exell
 - ⊗ 2G IIB+H2 T2-T3-T4, Motor ExdIIC
 - ⊗ 3G IIB T2-T3-T4, Motor ExnA (sólo para categoría 3G)
 - ⊗ 3G IIB+H2 T2-T3-T4, Motor ExnA (sólo para categoría 3G)
- Polvo no conductivo:
 - ⊗ 2D IIIB T125°C-T135°C-T195°C-T295°C
 - ⊗ 3D IIIB T125°C-T135°C-T195°C-T295°C
- Polvo conductivo (con motor IP65 IIIC):
 - ⊗ 2D IIIC T125°C-T135°C-T195°C-T295°C
 - ⊗ 3D IIIC T125°C-T135°C-T195°C-T295°C



Rodete de álabes curvados hacia atrás



Puerta de inspección

Aplicaciones específicas



| CUADRO DE APLICACIONES | |
|------------------------|---------------------------|
| Aire a transportar | Cantidad de polvo (mg/m³) |
| Aire limpio | 50 |

Es imprescindible comprobar que las características eléctricas (voltaje, intensidad, frecuencia, etc.) del motor que aparecen en la placa del mismo son compatibles con las de la instalación.

| Código | Modelo | Velocidad (r.p.m.) | Potencia motor (kW) | Intensidad motor 400V (A) | Caudal máximo (m³/h) | Nivel presión sonora (dB(A)) | Grupo producto | Precio €/u. |
|------------|-----------------|--------------------|---------------------|---------------------------|----------------------|------------------------------|----------------|-------------|
| 4 POLOS | | | | | | | | |
| 5134351100 | FRP 451/4 N5C P | 1440 | 1,5 | 3,30 | 8.045 | 65 | E01 | 2.052,80 |
| 5134379700 | FRP 452/4 N5C P | 1440 | 1,1 | 2,37 | 7.182 | 64 | E01 | 2.164,25 |
| 5134351000 | FRP 501/4 N5C P | 1420 | 2,2 | 4,43 | 11.078 | 68 | E01 | 2.337,09 |
| 5134379800 | FRP 502/4 N5C P | 1440 | 1,5 | 3,30 | 6.629 | 67 | E01 | 2.507,76 |
| 5134041500 | FRP 561/4 N5C P | 1440 | 4,0 | 7,85 | 15.800 | 71 | E01 | 2.882,90 |
| 5134346700 | FRP 562/4 N5C P | 1425 | 3,0 | 5,96 | 14.000 | 69 | E01 | 2.882,90 |
| 5134336400 | FRP 631/4 N5C P | 1440 | 7,5 | 13,90 | 22.431 | 75 | E01 | 4.851,88 |
| 5130008100 | FRP 632/4 N5C P | 1440 | 5,5 | 10,40 | 21.000 | 73 | E01 | 4.554,94 |

ACCESORIOS DE MONTAJE ESPECÍFICOS



| Código | Modelo | Grupo producto | Precio €/u. |
|--|-----------------------------|----------------|-------------|
| Codos de descarga ACOP. CODO FRP/CRRT MB | | | |
| 5130389200 | ACOP.CODO FRP/CRRT-450 MB E | E01 | 538,42 |
| 5130389300 | ACOP.CODO FRP/CRRT-500 MB E | E01 | 664,99 |
| 5130389400 | ACOP.CODO FRP/CRRT-560 MB E | E01 | 745,36 |

Serie MEC



Ventilador centrífugo de acoplamiento directo y simple aspiración. Fabricados en chapa de acero protegida contra la corrosión mediante tratamiento por cataforesis + pintura poliuretana. Temperaturas del aire a transportar -20°C/+100°C en continuo.

Motores

De 2, 4 ó 6 polos, de alta eficiencia IE 3*, tensión de alimentación trifásica 230/400V 50Hz tamaño motor 112 y 400/690V 50Hz para motores de mayor dimensión. Protección IP55, Clase F.

* A partir de 0,75 kW el motor puede ser de eficiencia IE 2 controlado por convertidor de frecuencia.

Bajo pedido

- Fabricación en diferentes materiales constructivos.
- Motores de 2 velocidades.
- Versiones de 60 Hz.
- Pintura en diferentes RAL.
- Versión sin pie soporte (Motor-Brida, Sistema 5), hasta tamaño de motor 160.
- Versión para alta temperatura: hasta 220°C (versiones B: con rodete de refrigeración).
- SISTEMA 8: acoplamiento mediante junta elástica.
- Trampilla de inspección, purga de drenaje, distintos tipos de estanqueidad a nivel de voluta y de paso de eje.
- Ventiladores estancos.
- Calorifugado.



Versiónes ATEX

Bajo pedido, versiones antiexplosivas según la Directiva ATEX para modelos trifásicos: Para trabajar a temperaturas de -20°C a +60°C, presión ambiente (absoluta) de 0,8 bar hasta 1,1 bar, según EN 14986.

- Gas:
 - ⊗ 2G IIB T2-T3-T4
 - ⊗ 2G IIB+H2 T2-T3-T4
 - ⊗ 3G IIB T2-T3-T4
 - ⊗ 3G IIB+H2 T2-T3-T4
- Polvo no conductivo:
 - ⊗ 2D IIIB T125°C-T135°C-T195°C-T295°C
 - ⊗ 3D IIIB T125°C-T135°C-T195°C-T295°C
- Polvo conductivo (con motor IP65 IIIC):
 - ⊗ 2D IIIC T125°C-T135°C-T195°C-T295°C
 - ⊗ 3D IIIC T125°C-T135°C-T195°C-T295°C

Aplicaciones específicas



Versiónes



Rodete de álabes curvados hacia atrás

| CUADRO DE APLICACIONES | |
|-----------------------------------|---------------------------|
| Aire a transportar | Cantidad de polvo (mg/m³) |
| Polvoriento (ambiente industrial) | <500 |

Es imprescindible comprobar que las características eléctricas (voltaje, intensidad, frecuencia, etc.) del motor que aparecen en la placa del mismo son compatibles con las de la instalación.

| Modelo | Tamaño motor | Velocidad (r.p.m.) | Potencia motor (kW) | Intensidad motor 400V (A) | Caudal máximo (m ³ /h) | Nivel presión sonora a 1 m (dB(A)) ⁽¹⁾ | Peso (kg) ⁽²⁾ | Momento de inercia (kg·m ²) ⁽³⁾ |
|----------------|--------------|--------------------|---------------------|---------------------------|-----------------------------------|---|--------------------------|--|
| 2 POLOS | | | | | | | | |
| MEC 221/2 N4A | 63A2 | 2750 | 0,18 | 0,50 | 830 | 63 | 17 | 0,02 |
| MEC 252/2 N4A | 63B2 | 2780 | 0,25 | 0,68 | 1.330 | 65 | 23 | 0,02 |
| MEC 251/2 N4A | 71A2 | 2810 | 0,37 | 0,90 | 1.370 | 66 | 25 | 0,03 |
| MEC 282/2 N4A | 71B2 | 2820 | 0,55 | 1,25 | 1.910 | 68 | 29 | 0,04 |
| MEC 281/2 N4A | 80A2 | 2830 | 0,75 | 1,59 | 1.940 | 69 | 31 | 0,04 |
| MEC 312/2 N4A | 80B2 | 2840 | 1,10 | 2,33 | 2.700 | 72 | 40 | 0,05 |
| MEC 311/2 N4A | 90S2 | 2840 | 1,50 | 3,07 | 2.730 | 75 | 42 | 0,05 |
| MEC 352/2 N4A | 90S2 | 2840 | 1,50 | 3,07 | 3.820 | 75 | 64 | 0,11 |
| MEC 351/2 N4A | 90L2 | 2850 | 2,20 | 4,43 | 3.900 | 78 | 67 | 0,13 |
| MEC 402/2 N4A | 100LA2 | 2900 | 3,00 | 5,77 | 6.120 | 81 | 101 | 0,18 |
| MEC 401/2 N4A | 112M2 | 2910 | 4,00 | 7,50 | 6.200 | 82 | 105 | 0,20 |
| MEC 452/2 N4A | 132SA2 | 2890 | 5,50 | 10,10 | 8.500 | 85 | 146 | 0,30 |
| MEC 451/2 N4A | 132SB2 | 2890 | 7,50 | 13,90 | 8.720 | 86 | 152 | 0,35 |
| MEC 502/2 N4A | 160MR2 | 2930 | 11,00 | 18,70 | 12.060 | 89 | 230 | 0,60 |
| MEC 501/2 N4A | 160M2 | 2935 | 15,00 | 25,40 | 12.750 | 90 | 242 | 0,70 |
| MEC 562/2 N4A | 160L2 | 2935 | 18,50 | 33,30 | 17.100 | 91 | 282 | 0,90 |
| MEC 561/2 N4A | 180M2 | 2940 | 22,00 | 39,00 | 18.140 | 92 | 312 | 1,00 |
| 4 POLOS | | | | | | | | |
| MEC 502/4 N4A | 90S4 | 1400 | 1,10 | 2,30 | 5.760 | 68 | 128 | 0,50 |
| MEC 501/4 N4A | 90L4 | 1400 | 1,50 | 3,15 | 6.080 | 69 | 131 | 0,60 |
| MEC 562/4 N4A | 100LA4 | 1420 | 2,20 | 4,56 | 8.270 | 71 | 138 | 0,80 |
| MEC 561/4 N4A | 100LB4 | 1430 | 3,00 | 6,15 | 8.830 | 72 | 142 | 0,80 |
| MEC 632/4 N4A | 112M4 | 1425 | 4,00 | 8,20 | 12.060 | 75 | 175 | 1,40 |
| MEC 631/4 N4A | 132SA4 | 1440 | 5,50 | 10,30 | 12.860 | 79 | 188 | 1,60 |
| MEC 712/4 N4A | 132MA4 | 1450 | 7,50 | 13,90 | 17.100 | 79 | 281 | 2,70 |
| MEC 711/4 N4A | 160M4 | 1450 | 11,00 | 20,70 | 16.970 | 80 | 304 | 3,00 |
| MEC 802/4 N4A | 160L4 | 1450 | 15,00 | 28,40 | 24.120 | 83 | 397 | 4,30 |
| MEC 801/4 N4A | 180M4 | 1460 | 18,50 | 34,90 | 25.950 | 84 | 427 | 4,80 |
| MEC 902/4 N4A | 200L4 | 1470 | 30,00 | 54,60 | 34.200 | 86 | - | 7,50 |
| MEC 901/4 N4A | 225S4 | 1475 | 37,00 | 65,60 | 39.830 | 87 | - | 8,50 |
| MEC 1002/4 N4A | 225M4 | 1475 | 45,00 | 79,40 | 47.520 | 90 | - | 12,00 |
| MEC 1001/4 N4A | 250M4 | 1475 | 55,00 | 96,90 | 56.130 | 91 | - | 13,30 |
| MEC 1122/4 N4A | 280S4 | 1475 | 75,00 | 130,00 | 68.400 | 93 | - | 26,50 |
| MEC 1121/4 N4A | 280M4 | 1480 | 90,00 | 158,00 | 78.490 | 94 | - | 29,50 |
| 4 POLOS | | | | | | | | |
| MEC 802/6 N4A | 132MA6 | 960 | 4,00 | 7,30 | 15.970 | 73 | 327 | 4,00 |
| MEC 801/6 N4A | 132MB6 | 960 | 5,50 | 12,80 | 17.060 | 74 | 337 | 4,50 |
| MEC 902/6 N4A | 160M6 | 965 | 7,50 | 14,70 | 22.450 | 76 | - | 7,30 |
| MEC 901/6 N4A | 160L6 | 965 | 11,00 | 21,50 | 26.060 | 77 | - | 8,30 |
| MEC 1002/6 N4A | 180L6 | 965 | 15,00 | 30,40 | 31.090 | 79 | - | 11,80 |
| MEC 1001/6 N4A | 200LR6 | 970 | 18,50 | 37,30 | 36.920 | 80 | - | 13,00 |
| MEC 1122/6 N4A | 200L6 | 970 | 22,00 | 43,00 | 44.980 | 82 | - | 28,50 |
| MEC 1121/6 N4A | 225M6 | 975 | 30,00 | 54,20 | 51.710 | 83 | - | 29,00 |
| MEC 1252/6 N4A | 250M6 | 980 | 37,00 | 66,60 | 61.200 | 86 | - | 45,00 |
| MEC 1251/6 N4A | 280S6 | 980 | 45,00 | 83,40 | 73.380 | 87 | - | 47,50 |
| MEC 1402/6 N4A | 280M6 | 980 | 55,00 | 102,00 | 84.960 | 89 | - | 75,00 |
| MEC 1401/6 N4A | 315S6 | 985 | 75,00 | 136,00 | 103.280 | 91 | - | 78,80 |

¹ Entubado en la descarga

Tolerancia del nivel de ruido de +3dB/A, medido en el punto de máxima eficiencia

² Con motor incluido y para orientación LG270 ó RD270

³ Momento de inercia del rodete

Versiones ESTÁNDAR

| Modelo | Grupo producto | Precio €/u. | Precio Ejecución B ⁽¹⁾ €/u. | Precio Ejecución C ⁽²⁾ €/u. | Precio Puerta inspección €/u. | Precio Purga drenaje €/u. |
|---------------------|----------------|-------------|--|--|-------------------------------|---------------------------|
| 2 POLOS | | | | | | |
| MEC 221/2 N4A 0,18 | E01 | 803,03 | 192,78 | 260,98 | serie | serie |
| MEC 252/2 N4A 0,25 | E01 | 868,26 | 252,10 | 260,98 | 145,33 | 136,44 |
| MEC 251/2 N4A 0,37 | E01 | 893,36 | 252,10 | 260,98 | 145,33 | 136,44 |
| MEC 282/2 N4A 0,55 | E01 | 956,11 | 252,10 | 260,98 | 198,71 | 154,23 |
| MEC 281/2 N4A 0,75 | E01 | 988,72 | 252,10 | 260,98 | 198,71 | 154,23 |
| MEC 312/2 N4A 1,1 | E01 | 1.101,66 | 252,10 | 260,98 | 198,71 | 154,23 |
| MEC 311/2 N4A 1,5 | E01 | 1.207,05 | 252,10 | 260,98 | 198,71 | 154,23 |
| MEC 352/2 N4A 1,5 | E01 | 1.365,15 | 332,16 | 260,98 | 198,71 | 154,23 |
| MEC 351/2 N4A 2,2 | E01 | 1.468,03 | 332,16 | 260,98 | 198,71 | 154,23 |
| MEC 402/2 N4A 3 | E01 | 1.794,25 | 332,16 | 260,98 | 198,71 | 154,23 |
| MEC 401/2 N4A 4 | E01 | 1.932,29 | 332,16 | 260,98 | 198,71 | 154,23 |
| MEC 452/2 N4A 5,5 | E01 | 2.542,08 | 332,16 | 260,98 | 198,71 | 154,23 |
| MEC 451/2 N4A 7,5 | E01 | 2.810,56 | 332,16 | 260,98 | 198,71 | 154,23 |
| MEC 502/2 N4A 11 | E01 | 3.902,20 | 441,89 | 403,34 | 231,34 | 186,84 |
| MEC 501/2 N4A 15 | E01 | 4.341,34 | 441,89 | 403,34 | 231,34 | 186,84 |
| MEC 562/2 N4A 18,5 | E01 | 5.342,60 | 441,89 | 403,34 | 231,34 | 186,84 |
| MEC 561/2 N4A 22 | E01 | 5.892,19 | 441,89 | 403,34 | 231,34 | 186,84 |
| 4 POLOS | | | | | | |
| MEC 502/4 N4A 1,1 | E01 | 2.067,79 | 441,89 | 403,34 | 231,34 | 186,84 |
| MEC 501/4 N4A 1,5 | E01 | 2.128,03 | 441,89 | 403,34 | 231,34 | 186,84 |
| MEC 562/4 N4A 2,2 | E01 | 2.680,08 | 441,89 | 403,34 | 231,34 | 186,84 |
| MEC 561/4 N4A 3 | E01 | 2.782,96 | 441,89 | 403,34 | 231,34 | 186,84 |
| MEC 632/4 N4A 4 | E01 | 3.691,39 | 441,89 | 403,34 | 231,34 | 186,84 |
| MEC 631/4 N4A 5,5 | E01 | 3.904,71 | 441,89 | 403,34 | 231,34 | 186,84 |
| MEC 712/4 N4A 7,5 | E01 | 4.953,64 | 691,03 | 403,34 | serie | serie |
| MEC 711/4 N4A 11 | E01 | 5.932,33 | 691,03 | 403,34 | serie | serie |
| MEC 802/4 N4A 15 | E01 | 6.948,64 | 691,03 | 688,06 | serie | serie |
| MEC 801/4 N4A 18,5 | E01 | 7.601,10 | 691,03 | 688,06 | serie | serie |
| MEC 902/4 N4A 30 | E01 | 10.268,64 | 691,03 | 688,06 | serie | serie |
| MEC 901/4 N4A 37 | E01 | 11.563,52 | 691,03 | 688,06 | serie | serie |
| MEC 1002/4 N4A 45 | E01 | 13.370,29 | 886,76 | 688,06 | serie | serie |
| MEC 1001/4 N4A 55 | E01 | 14.828,30 | 886,76 | 688,06 | serie | serie |
| MEC 1122/4 N4A 75 | E01 | 22.926,27 | 1.106,23 | 688,06 | serie | serie |
| MEC 1121/4 N4A 90 | E01 | 24.625,16 | 1.106,23 | 688,06 | serie | serie |
| 6 POLOS | | | | | | |
| MEC 802/6 N4A 4 | E01 | 5.618,64 | 691,03 | 688,06 | serie | serie |
| MEC 801/6 N4A 5,5 | E01 | 5.794,32 | 691,03 | 688,06 | serie | serie |
| MEC 902/6 N4A 7,5 | E01 | 7.764,22 | 691,03 | 688,06 | serie | serie |
| MEC 901/6 N4A 11 | E01 | 8.587,32 | 691,03 | 688,06 | serie | serie |
| MEC 1002/6 N4A 15 | E01 | 10.396,61 | 886,76 | 688,06 | serie | serie |
| MEC 1001/6 N4A 18,5 | E01 | 11.289,97 | 886,76 | 688,06 | serie | serie |
| MEC 1122/6 N4A 22 | E01 | 14.306,34 | 1.106,23 | 688,06 | serie | serie |
| MEC 1121/6 N4A 30 | E01 | 16.047,89 | 1.106,23 | 688,06 | serie | serie |
| MEC 1252/6 N4A 37 | E01 | 19.857,23 | 1.106,23 | 907,51 | serie | serie |
| MEC 1251/6 N4A 45 | E01 | 24.938,83 | 1.106,23 | 907,51 | serie | serie |
| MEC 1402/6 N4A 55 | E01 | 33.134,67 | 1.106,23 | 907,51 | serie | serie |
| MEC 1401/6 N4A 75 | E01 | 34.828,55 | 1.106,23 | 907,51 | serie | serie |

¹ Ejecución B: rodete de refrigeración para alta temperatura² Ejecución C: aro de aspiración antichispas (sin certificado ATEX)



Versiones ATEX

| Modelo | Grupo producto | Precio ATEX II 3G/ ⁽¹⁾ €/u. | Precio ATEX II 3D/ ⁽²⁾ €/u. | Precio ATEX Cat. 3G Zona 2 II 3G Ex Na IIC T4 Gc €/u. | Precio ATEX Cat.3D Zona 22 II 3D Ex tc IIIC T125°C Dc €/u. | Precio ATEX Cat. 2G Zona 1 II 2G IIB T4 €/u. |
|---------------------|----------------|--|--|---|--|--|
| 2 POLOS | | | | | | |
| MEC 221/2 N4A 0,18 | E01 | 2.592,68 | 1.735,81 | - | - | - |
| MEC 252/2 N4A 0,25 | E01 | 2.656,36 | 1.799,46 | - | - | - |
| MEC 251/2 N4A 0,37 | E01 | 2.680,81 | 1.823,93 | - | - | - |
| MEC 282/2 N4A 0,55 | E01 | 2.764,06 | 1.909,63 | - | - | - |
| MEC 281/2 N4A 0,75 | E01 | 2.795,90 | 1.941,46 | - | - | 3.870,67 |
| MEC 312/2 N4A 1,1 | E01 | 2.906,06 | 2.051,63 | 3.028,48 | 2.294,00 | 4.010,22 |
| MEC 311/2 N4A 1,5 | E01 | 3.008,90 | 2.154,47 | 3.126,41 | 2.389,50 | 4.127,74 |
| MEC 352/2 N4A 1,5 | E01 | 3.182,70 | 2.320,92 | 3.300,22 | 2.555,98 | 4.301,55 |
| MEC 351/2 N4A 2,2 | E01 | 3.283,08 | 2.421,31 | 3.363,89 | 2.707,75 | 4.502,32 |
| MEC 402/2 N4A 3 | E01 | 3.601,37 | 2.739,60 | 3.797,22 | 3.045,61 | 5.141,30 |
| MEC 401/2 N4A 4 | E01 | 3.736,01 | 2.874,24 | 3.890,26 | 3.234,13 | 5.652,98 |
| MEC 452/2 N4A 5,5 | E01 | 4.494,95 | 3.508,34 | 4.862,22 | 3.985,73 | 6.928,53 |
| MEC 451/2 N4A 7,5 | E01 | 4.756,92 | 3.770,29 | 5.033,58 | 4.311,36 | 8.355,84 |
| MEC 502/2 N4A 11 | E01 | 6.255,26 | 5.736,22 | 6.747,34 | 6.830,58 | 9.521,20 |
| MEC 501/2 N4A 15 | E01 | 6.683,68 | 6.164,66 | 7.099,89 | 7.650,74 | 10.708,59 |
| MEC 562/2 N4A 18,5 | E01 | 7.844,16 | 7.398,59 | 8.010,65 | 9.070,71 | 12.400,31 |
| MEC 561/2 N4A 22 | E01 | 8.380,31 | 7.934,74 | 8.612,89 | 9.619,12 | 14.806,92 |
| 4 POLOS | | | | | | |
| MEC 502/4 N4A 1,1 | E01 | 4.465,59 | 3.946,56 | 4.693,28 | 4.210,96 | 5.635,85 |
| MEC 501/4 N4A 1,5 | E01 | 4.524,34 | 4.005,31 | 4.774,06 | 4.306,46 | 5.809,67 |
| MEC 562/4 N4A 2,2 | E01 | 5.246,57 | 4.801,00 | 5.530,57 | 5.143,76 | 6.764,48 |
| MEC 561/4 N4A 3 | E01 | 5.346,94 | 4.901,37 | 5.633,40 | 5.288,18 | 7.170,89 |
| MEC 632/4 N4A 4 | E01 | 6.419,28 | 4.862,22 | 6.686,15 | 5.258,82 | 8.664,30 |
| MEC 631/4 N4A 5,5 | E01 | 6.627,39 | 5.070,31 | 7.068,07 | 5.613,80 | 9.136,82 |
| MEC 712/4 N4A 7,5 | E01 | 6.970,14 | 6.169,55 | 7.374,08 | 6.852,63 | 10.079,40 |
| MEC 711/4 N4A 11 | E01 | 7.924,95 | 7.124,38 | 8.368,08 | 8.228,54 | 11.452,86 |
| MEC 802/4 N4A 15 | E01 | 8.916,47 | 8.115,91 | 9.374,30 | 9.646,05 | 13.029,53 |
| MEC 801/4 N4A 18,5 | E01 | 9.553,03 | 8.752,44 | 10.030,43 | 10.128,36 | 15.330,86 |
| MEC 902/4 N4A 30 | E01 | 13.369,83 | 12.101,62 | 14.028,39 | 14.331,98 | 22.286,30 |
| MEC 901/4 N4A 37 | E01 | 14.633,12 | 13.364,93 | 15.193,77 | 15.715,24 | 25.378,42 |
| MEC 1002/4 N4A 45 | E01 | 16.395,85 | 15.127,65 | 16.816,94 | 18.229,58 | 28.482,76 |
| MEC 1001/4 N4A 55 | E01 | 17.818,27 | 16.550,08 | 18.268,74 | 20.141,64 | 32.828,41 |
| MEC 1122/4 N4A 75 | E01 | 26.088,40 | 24.680,68 | 24.499,49 | 32.955,72 | 44.029,08 |
| MEC 1121/4 N4A 90 | E01 | 27.745,85 | 26.338,12 | 25.708,92 | 36.057,62 | 49.322,16 |
| 6 POLOS | | | | | | |
| MEC 802/6 N4A 4 | E01 | 7.618,93 | 6.818,34 | 7.890,66 | 7.290,84 | 10.735,51 |
| MEC 801/6 N4A 5,5 | E01 | 7.790,29 | 6.989,71 | 8.103,66 | 7.665,44 | 11.509,17 |
| MEC 902/6 N4A 7,5 | E01 | 10.926,47 | 9.658,30 | 11.237,40 | 10.950,96 | 14.606,19 |
| MEC 901/6 N4A 11 | E01 | 11.729,49 | 10.461,32 | 11.616,88 | 12.040,44 | 16.449,69 |
| MEC 1002/6 N4A 15 | E01 | 13.494,68 | 12.226,50 | 13.183,74 | 13.859,48 | 20.878,56 |
| MEC 1001/6 N4A 18,5 | E01 | 14.366,24 | 13.098,07 | 14.067,57 | 14.904,86 | 21.561,61 |
| MEC 1122/6 N4A 22 | E01 | 17.678,72 | 16.270,98 | 17.051,98 | 18.403,38 | 27.006,49 |
| MEC 1121/6 N4A 30 | E01 | 19.377,80 | 17.970,05 | 19.336,17 | 21.130,73 | 31.856,46 |
| MEC 1252/6 N4A 37 | E01 | 23.588,76 | 21.994,95 | 23.214,17 | 25.469,00 | 38.990,61 |
| MEC 1251/6 N4A 45 | E01 | 28.546,44 | 26.952,64 | 26.269,57 | 33.824,82 | 46.651,14 |
| MEC 1402/6 N4A 55 | E01 | 36.542,39 | 34.948,56 | 33.609,38 | 43.583,49 | 58.620,56 |
| MEC 1401/6 N4A 75 | E01 | 38.194,93 | 36.601,13 | 41.943,19 | 50.622,17 | 70.188,47 |

¹ Interno ATEX 3G, exterior no clasificado.

² Interno ATEX 3D, exterior no clasificado.

Serie FQ



Ventilador centrífugo de acoplamiento directo y simple aspiración. Fabricados en chapa de acero protegida contra la corrosión mediante tratamiento por cataforesis + pintura poliuretana. Temperaturas del aire a transportar -20°C/+100°C en continuo.

Motores

De 2, 4 ó 6 polos, de alta eficiencia IE 3*, tensión de alimentación trifásica 230/400V 50Hz tamaño motor 112 y 400/690V 50Hz para motores de mayor dimensión. Protección IP55, Clase F.

* A partir de 0,75 kW el motor puede ser de eficiencia IE 2 controlado por convertidor de frecuencia.

Bajo pedido

- Fabricación en diferentes materiales constructivos.
- Motores de 2 velocidades.
- Versiones de 60 Hz.
- Pintura en diferentes RAL.
- Versión sin pie soporte (Motor-Brida, Sistema 5), hasta tamaño de motor 160.
- Versión para alta temperatura: hasta 220°C (versiones B: con rodete de refrigeración).
- SISTEMA 8: acoplamiento mediante junta elástica.
- Trampilla de inspección, purga de drenaje, distintos tipos de estanqueidad a nivel de voluta y de paso de eje.
- Ventiladores estancos.
- Calorifugado.



Versiones ATEX

Bajo pedido, versiones antiexplosivas según la Directiva ATEX para modelos trifásicos: Para trabajar a temperaturas de -20°C a +60°C, presión ambiente (absoluta) de 0,8 bar hasta 1,1 bar, según EN 14986.

- Gas:
 - ⊗ 2G IIB T2-T3-T4
 - ⊗ 2G IIB+H2 T2-T3-T4
 - ⊗ 3G IIB T2-T3-T4
 - ⊗ 3G IIB+H2 T2-T3-T4
- Polvo no conductivo:
 - ⊗ 2D IIIB T125°C-T135°C-T195°C-T295°C
 - ⊗ 3D IIIB T125°C-T135°C-T195°C-T295°C
- Polvo conductivo (con motor IP65 IIIC):
 - ⊗ 2D IIIC T125°C-T135°C-T195°C-T295°C
 - ⊗ 3D IIIC T125°C-T135°C-T195°C-T295°C

Aplicaciones específicas



Versiones



Rodete de álabes curvados hacia atrás

| CUADRO DE APLICACIONES | |
|-------------------------|---------------------------|
| Aire a transportar | Cantidad de polvo (mg/m³) |
| Ligeramente polvoriento | <150 |

Es imprescindible comprobar que las características eléctricas (voltaje, intensidad, frecuencia, etc.) del motor que aparecen en la placa del mismo son compatibles con las de la instalación.

| Modelo | Tamaño motor | Velocidad (r.p.m.) | Potencia motor (kW) | Intensidad motor 400V (A) | Caudal máximo (m ³ /h) | Nivel presión sonora a 1 m (dB(A)) ⁽¹⁾ | Peso (kg) ⁽²⁾ | Momento de inercia (kg·m ²) ⁽³⁾ |
|---------------|--------------|--------------------|---------------------|---------------------------|-----------------------------------|---|--------------------------|--|
| 2 POLOS | | | | | | | | |
| FQ 251/2 N4A | 71A2 | 2810 | 0,37 | 0,90 | 1.340 | 60 | 25 | 0,02 |
| FQ 281/2 N4A | 71B2 | 2820 | 0,55 | 1,25 | 1.890 | 63 | 30 | 0,03 |
| FQ 311/2 N4A | 80B2 | 2840 | 1,10 | 2,33 | 2.730 | 67 | 40 | 0,06 |
| FQ 351/2 N4A | 90L2 | 2850 | 2,20 | 4,43 | 4.440 | 70 | 67 | 0,10 |
| FQ 401/2 N4A | 112M2 | 2910 | 4,00 | 7,50 | 6.490 | 74 | 105 | 0,19 |
| FQ 451/2 N4A | 132SB2 | 2890 | 7,50 | 13,90 | 9.100 | 77 | 150 | 0,30 |
| FQ 501/2 N4A | 160MR2 | 2930 | 11,00 | 18,70 | 12.660 | 81 | 230 | 0,55 |
| FQ 562/2 N4A | 160M2 | 2935 | 15,00 | 25,40 | 13.500 | 83 | 282 | 0,85 |
| FQ 561/2 N4A | 160L2 | 2935 | 18,50 | 33,30 | 17.860 | 84 | 292 | 0,93 |
| FQ 632/2 N4A | 200LR2 | 2960 | 30,00 | 53,50 | 19.080 | 87 | 380 | 1,40 |
| FQ 631/2 N4A | 200L2 | 2960 | 37,00 | 65,60 | 26.000 | 88 | 390 | 1,40 |
| 4 POLOS | | | | | | | | |
| FQ 501/4 N4A | 90S4 | 1390 | 1,10 | 2,30 | 6.010 | 62 | 128 | 0,58 |
| FQ 561/4 N4A | 100LA4 | 1420 | 2,20 | 4,56 | 8.640 | 66 | 138 | 0,90 |
| FQ 631/4 N4A | 112M4 | 1425 | 4,00 | 8,20 | 12.520 | 70 | 175 | 1,40 |
| FQ 712/4 N4A | 132SA4 | 1440 | 5,50 | 10,30 | 13.500 | 72 | 270 | 2,60 |
| FQ 711/4 N4A | 132MA4 | 1450 | 7,50 | 13,90 | 18.170 | 73 | 281 | 2,80 |
| FQ 801/4 N4A | 160M4 | 1450 | 15,00 | 28,40 | 25.630 | 77 | 397 | 4,80 |
| FQ 902/4 N4A | 180M4 | 1470 | 18,50 | 34,90 | 27.000 | 79 | 416 | 8,50 |
| FQ 901/4 N4A | 200L4 | 1470 | 30,00 | 54,60 | 37.040 | 80 | 671 | 9,30 |
| FQ 1002/4 N4A | 225S4 | 1475 | 37,00 | 65,60 | 38.160 | 83 | 749 | 17,50 |
| FQ 1001/4 N4A | 225M4 | 1475 | 45,00 | 79,40 | 50.980 | 84 | 759 | 19,30 |
| FQ 1122/4 N4A | 250M4 | 1475 | 55,00 | 96,90 | 54.000 | 86 | 1140 | 22,50 |
| FQ 1121/4 N4A | 280S4 | 1475 | 75,00 | 130,00 | 73.010 | 87 | 1212 | 23,80 |
| FQ 1252/4 N4A | 315S4 | 1480 | 110,00 | 192,00 | 76.320 | 90 | 1470 | 37,50 |
| FQ 1251/4 N4A | 315M4 | 1485 | 132,00 | 230,00 | 101.790 | 91 | 1530 | 42,50 |
| 6 POLOS | | | | | | | | |
| FQ 801/6 N4A | 132MA6 | 960 | 4,00 | 8,10 | 16.970 | 66 | 337 | 4,60 |
| FQ 901/6 N4A | 160M6 | 965 | 7,50 | 14,70 | 24.320 | 69 | 486 | 9,00 |
| FQ 1002/6 N4A | 160L6 | 965 | 11,00 | 21,50 | 24.970 | 73 | 612 | 18,80 |
| FQ 1001/6 N4A | 180L6 | 965 | 15,00 | 30,40 | 33.350 | 74 | 642 | 17,00 |
| FQ 1122/6 N4A | 200LR6 | 970 | 18,50 | 37,30 | 35.510 | 76 | 967 | 21,30 |
| FQ 1121/6 N4A | 200L6 | 970 | 22,00 | 43,00 | 48.020 | 77 | 987 | 22,50 |
| FQ 1252/6 N4A | 225M6 | 975 | 30,00 | 54,20 | 50.280 | 79 | 1220 | 37,50 |
| FQ 1251/6 N4A | 250M6 | 980 | 37,00 | 66,60 | 67.170 | 80 | 1316 | 40,00 |
| FQ 1402/6 N4A | 280S6 | 980 | 45,00 | 83,40 | 76.320 | 82 | 1834 | 65,00 |
| FQ 1401/6 N4A | 315S6 | 985 | 75,00 | 136,00 | 94.980 | 83 | 1954 | 67,50 |

¹ Entubado en la descarga

Tolerancia del nivel de ruido de +3dB/A, medido en el punto de máxima eficiencia

² Con motor incluido y para orientación LG270 ó RD270

³ Momento de inercia del rodete

Versiones ESTÁNDAR

| Modelo | Grupo producto | Precio €/u. | Precio Ejecución B ⁽¹⁾ €/u. | Precio Ejecución C ⁽²⁾ €/u. | Precio Puerta inspección €/u. | Precio Purga drenaje €/u. |
|--------------------|----------------|-------------|--|--|-------------------------------|---------------------------|
| 2 POLOS | | | | | | |
| FQ 251/2 N4A 0,37 | E01 | 1.013,82 | 252,10 | 260,98 | 145,33 | 136,44 |
| FQ 281/2 N4A 0,55 | E01 | 1.079,07 | 252,10 | 260,98 | 198,71 | 154,23 |
| FQ 311/2 N4A 1,1 | E01 | 1.252,22 | 252,10 | 260,98 | 198,71 | 154,23 |
| FQ 351/2 N4A 2,2 | E01 | 1.686,35 | 332,16 | 260,98 | 198,71 | 154,23 |
| FQ 401/2 N4A 4 | E01 | 2.213,35 | 332,16 | 260,98 | 198,71 | 154,23 |
| FQ 451/2 N4A 7,5 | E01 | 3.008,82 | 332,16 | 260,98 | 198,71 | 154,23 |
| FQ 501/2 N4A 11 | E01 | 4.143,10 | 441,89 | 260,98 | 231,34 | 186,84 |
| FQ 562/2 N4A 15 | E01 | 5.342,60 | 441,89 | 403,34 | 231,34 | 186,84 |
| FQ 561/2 N4A 18,5 | E01 | 5.899,70 | 441,89 | 403,34 | 231,34 | 186,84 |
| FQ 632/2 N4A 30 | E01 | 8.205,89 | 441,89 | 403,34 | 231,34 | 186,84 |
| FQ 631/2 N4A 37 | E01 | 9.533,37 | 441,89 | 403,34 | 231,34 | 186,84 |
| 4 POLOS | | | | | | |
| FQ 501/4 N4A 1,1 | E01 | 2.308,69 | 441,89 | 260,98 | 231,34 | 186,84 |
| FQ 561/4 N4A 2,2 | E01 | 3.237,19 | 441,89 | 403,34 | 231,34 | 186,84 |
| FQ 631/4 N4A 4 | E01 | 4.391,52 | 441,89 | 403,34 | 231,34 | 186,84 |
| FQ 712/4 N4A 5,5 | E01 | 5.259,80 | 691,03 | 403,34 | serie | 186,84 |
| FQ 711/4 N4A 7,5 | E01 | 5.490,68 | 691,03 | 403,34 | serie | 186,84 |
| FQ 801/4 N4A 15 | E01 | 7.751,67 | 691,03 | 403,34 | serie | 213,55 |
| FQ 902/4 N4A 18,5 | E01 | 9.784,31 | 691,03 | 688,06 | serie | 213,55 |
| FQ 901/4 N4A 30 | E01 | 11.204,65 | 691,03 | 688,06 | serie | 213,55 |
| FQ 1002/4 N4A 37 | E01 | 13.244,83 | 886,76 | 688,06 | serie | 213,55 |
| FQ 1001/4 N4A 45 | E01 | 14.193,42 | 886,76 | 688,06 | serie | 213,55 |
| FQ 1122/4 N4A 55 | E01 | 18.391,72 | 1.106,23 | 688,06 | serie | serie |
| FQ 1121/4 N4A 75 | E01 | 24.228,67 | 1.106,23 | 688,06 | serie | serie |
| FQ 1252/4 N4A 110 | E01 | 29.879,94 | 1.106,23 | 688,06 | serie | serie |
| FQ 1251/4 N4A 132 | E01 | 32.896,28 | 1.106,23 | 688,06 | serie | serie |
| 6 POLOS | | | | | | |
| FQ 801/6 N4A 4 | E01 | 6.421,67 | 691,03 | 403,34 | serie | 213,55 |
| FQ 901/6 N4A 7,5 | E01 | 8.700,23 | 691,03 | 688,06 | serie | 213,55 |
| FQ 1002/6 N4A 11 | E01 | 10.268,64 | 886,76 | 688,06 | serie | 213,55 |
| FQ 1001/6 N4A 15 | E01 | 11.219,72 | 886,76 | 688,06 | serie | 213,55 |
| FQ 1122/6 N4A 18,5 | E01 | 14.853,38 | 1.106,23 | 688,06 | serie | serie |
| FQ 1121/6 N4A 22 | E01 | 15.608,74 | 1.106,23 | 688,06 | serie | serie |
| FQ 1252/6 N4A 30 | E01 | 21.134,52 | 1.106,23 | 688,06 | serie | serie |
| FQ 1251/6 N4A 37 | E01 | 22.773,18 | 1.106,23 | 688,06 | serie | serie |
| FQ 1402/6 N4A 45 | E01 | 34.986,64 | 1.106,23 | 907,51 | serie | serie |
| FQ 1401/6 N4A 75 | E01 | 38.640,40 | 1.106,23 | 907,51 | serie | serie |

¹ Ejecución B: rodete de refrigeración para alta temperatura² Ejecución C: aro de aspiración antichispas (sin certificado ATEX)



Versiones ATEX

| Modelo | Grupo producto | Precio ATEX II 3G/ ⁽¹⁾ €/u. | Precio ATEX II 3D/ ⁽²⁾ €/u. | Precio ATEX Cat. 3G Zona 2 II 3G Ex Na IIC T4 Gc €/u. | Precio ATEX Cat.3D Zona 22 II 3D Ex tc IIIC T125°C Dc €/u. | Precio ATEX Cat. 2G Zona 1 II 2G IIB T4 €/u. |
|--------------------|----------------|--|--|---|--|--|
| 2 POLOS | | | | | | |
| FQ 251/2 N4A 0,37 | E01 | 2.798,34 | 1.941,46 | - | - | - |
| FQ 281/2 N4A 0,55 | E01 | 2.884,02 | 2.029,59 | - | - | - |
| FQ 311/2 N4A 1,1 | E01 | 3.052,95 | 2.198,53 | 3.175,37 | 2.440,89 | 4.157,12 |
| FQ 351/2 N4A 2,2 | E01 | 3.496,08 | 2.634,30 | 3.576,88 | 2.920,75 | 4.715,29 |
| FQ 401/2 N4A 4 | E01 | 4.010,22 | 3.148,44 | 4.164,44 | 3.508,34 | 5.927,18 |
| FQ 451/2 N4A 7,5 | E01 | 4.950,34 | 3.963,69 | 5.226,98 | 4.504,75 | 8.549,25 |
| FQ 501/2 N4A 11 | E01 | 6.179,35 | 5.971,27 | 6.671,45 | 7.065,61 | 9.445,30 |
| FQ 562/2 N4A 15 | E01 | 7.844,16 | 7.398,59 | 8.260,35 | 8.884,64 | 11.869,05 |
| FQ 561/2 N4A 18,5 | E01 | 8.387,67 | 7.942,07 | 8.554,14 | 9.614,22 | 12.943,83 |
| FQ 632/2 N4A 30 | E01 | 10.965,67 | 10.319,32 | 11.621,77 | 12.410,11 | 19.603,03 |
| FQ 631/2 N4A 37 | E01 | 12.260,77 | 11.614,44 | 12.204,46 | 14.302,61 | 21.872,55 |
| 4 POLOS | | | | | | |
| FQ 501/4 N4A 1,1 | E01 | 4.389,69 | 4.181,61 | 4.617,38 | 4.446,00 | 5.559,94 |
| FQ 561/4 N4A 2,2 | E01 | 5.790,07 | 5.344,51 | 6.074,08 | 5.687,26 | 7.307,98 |
| FQ 631/4 N4A 4 | E01 | 7.244,34 | 6.597,98 | 7.511,19 | 6.994,60 | 9.489,37 |
| FQ 712/4 N4A 5,5 | E01 | 7.268,83 | 6.468,23 | 7.709,51 | 7.011,75 | 9.778,25 |
| FQ 711/4 N4A 7,5 | E01 | 7.494,05 | 6.693,49 | 7.898,03 | 7.376,55 | 10.603,32 |
| FQ 801/4 N4A 15 | E01 | 9.699,92 | 8.899,33 | 10.157,73 | 10.429,49 | 13.812,96 |
| FQ 902/4 N4A 18,5 | E01 | 12.463,98 | 11.372,07 | 12.941,37 | 12.747,98 | 18.241,79 |
| FQ 901/4 N4A 30 | E01 | 13.849,67 | 12.757,76 | 14.508,26 | 14.988,11 | 22.766,16 |
| FQ 1002/4 N4A 37 | E01 | 16.437,46 | 15.108,08 | 16.998,12 | 17.458,38 | 27.182,76 |
| FQ 1001/4 N4A 45 | E01 | 17.362,89 | 16.033,52 | 17.783,99 | 19.135,40 | 29.449,83 |
| FQ 1122/4 N4A 55 | E01 | 21.458,78 | 20.129,40 | 21.909,26 | 23.720,96 | 36.468,91 |
| FQ 1121/4 N4A 75 | E01 | 27.153,37 | 25.824,00 | 25.564,49 | 34.099,03 | 45.094,05 |
| FQ 1252/4 N4A 110 | E01 | 32.872,45 | 31.476,98 | 38.001,53 | 46.279,00 | 63.605,16 |
| FQ 1251/4 N4A 132 | E01 | 35.815,22 | 34.419,77 | 39.546,35 | 51.750,81 | 76.096,05 |
| 6 POLOS | | | | | | |
| FQ 801/6 N4A 4 | E01 | 8.402,35 | 7.601,77 | 8.674,10 | 8.074,29 | 11.518,94 |
| FQ 901/6 N4A 7,5 | E01 | 11.406,35 | 10.314,44 | 11.717,27 | 11.607,10 | 15.086,03 |
| FQ 1002/6 N4A 11 | E01 | 13.533,85 | 12.204,46 | 13.421,24 | 13.783,57 | 18.254,04 |
| FQ 1001/6 N4A 15 | E01 | 14.461,74 | 13.132,35 | 14.150,82 | 14.765,30 | 21.845,60 |
| FQ 1122/6 N4A 18,5 | E01 | 18.006,78 | 16.677,38 | 17.708,11 | 18.484,18 | 25.202,16 |
| FQ 1121/6 N4A 22 | E01 | 18.743,67 | 17.414,30 | 18.116,95 | 19.546,70 | 28.071,48 |
| FQ 1252/6 N4A 30 | E01 | 24.340,36 | 22.944,87 | 24.298,75 | 26.105,55 | 36.819,02 |
| FQ 1251/6 N4A 37 | E01 | 25.939,06 | 24.543,56 | 25.564,49 | 28.017,61 | 41.340,92 |
| FQ 1402/6 N4A 45 | E01 | 38.349,17 | 36.755,38 | 36.072,31 | 43.627,57 | 56.453,88 |
| FQ 1401/6 N4A 75 | E01 | 41.913,80 | 40.320,00 | 45.662,04 | 54.341,07 | 73.907,34 |

¹ Interno ATEX 3G, exterior no clasificado.

² Interno ATEX 3D, exterior no clasificado.

Serie ART



Ventilador centrífugo de acoplamiento directo y simple aspiración. Fabricados en chapa de acero protegida contra la corrosión mediante tratamiento por cataforesis + pintura poliuretana. Temperaturas del aire a transportar -20°C/+60°C en continuo.

Motores

De 2, 4 ó 6 polos, de alta eficiencia IE 3*, tensión de alimentación trifásica 230/400V 50Hz tamaño motor 112 y 400/690V 50Hz para motores de mayor dimensión. Protección IP55, Clase F.

* A partir de 0,75 kW el motor puede ser de eficiencia IE 2 controlado por convertidor de frecuencia.

Bajo pedido

- Fabricación en diferentes materiales constructivos.
- Motores de 2 velocidades.
- Versiones de 60 Hz.
- Pintura en diferentes RAL.
- Versión sin pie soporte (Motor-Brida, Sistema 5), hasta tamaño de motor 160.
- Versión para alta temperatura: hasta 150°C (versiones B: con rodete de refrigeración).
- SISTEMA 8: acoplamiento mediante junta elástica.
- Trampilla de inspección, purga de drenaje, distintos tipos de estanqueidad a nivel de voluta y de paso de eje.
- Ventiladores estancos.
- Calorifugado.



Versiones ATEX

Bajo pedido, versiones antiexplosivas según la Directiva ATEX para modelos trifásicos: Para trabajar a temperaturas de -20°C a +60°C, presión ambiente (absoluta) de 0,8 bar hasta 1,1 bar, según EN 14986.

- Gas:
 - ⊗ 2G IIB T2-T3-T4
 - ⊗ 2G IIB+H2 T2-T3-T4
 - ⊗ 3G IIB T2-T3-T4
 - ⊗ 3G IIB+H2 T2-T3-T4
- Polvo no conductivo:
 - ⊗ 2D IIIB T125°C-T135°C-T195°C-T295°C
 - ⊗ 3D IIIB T125°C-T135°C-T195°C-T295°C
- Polvo conductivo (con motor IP65 IIIC):
 - ⊗ 2D IIIC T125°C-T135°C-T195°C-T295°C
 - ⊗ 3D IIIC T125°C-T135°C-T195°C-T295°C

Aplicaciones específicas



Versiones



Rodete de álabes curvados hacia atrás

| CUADRO DE APLICACIONES | |
|-----------------------------------|---------------------------|
| Aire a transportar | Cantidad de polvo (mg/m³) |
| Polvoriento (ambiente industrial) | <500 |

Es imprescindible comprobar que las características eléctricas (voltaje, intensidad, frecuencia, etc.) del motor que aparecen en la placa del mismo son compatibles con las de la instalación.

| Modelo | Tamaño motor | Velocidad (r.p.m.) | Potencia motor (kW) | Intensidad motor 400V (A) | Caudal máximo (m ³ /h) | Nivel presión sonora a 1 m (dB(A)) ⁽¹⁾ | Peso (kg) ⁽²⁾ | Momento de inercia (kg·m ²) ⁽³⁾ |
|----------------|--------------|--------------------|---------------------|---------------------------|-----------------------------------|---|--------------------------|--|
| 2 POLOS | | | | | | | | |
| ART 402/2 N4A | 90L2 | 2.850 | 2,2 | 4,43 | 3.220 | 76 | 72 | 0,15 |
| ART 401/2 N4A | 100L2 | 2.900 | 3,0 | 5,77 | 5.750 | 77 | 79 | 0,18 |
| ART 452/2 N4A | 112M2 | 2.910 | 4,0 | 7,50 | 5.250 | 79 | 98 | 0,25 |
| ART 451/2 N4A | 132SB2 | 2.890 | 5,5 | 10,10 | 9.890 | 80 | 110 | 0,28 |
| ART 502/2 N4A | 132S2 | 2.890 | 7,5 | 13,90 | 8.610 | 85 | 144 | 0,48 |
| ART 501/2 N4A | 160M2 | 2.930 | 11,0 | 18,70 | 15.760 | 86 | 201 | 0,58 |
| ART 562/2 N4A | 160M2 | 2.930 | 11,0 | 18,70 | 23.160 | 87 | 221 | 0,75 |
| ART 561/2 N4A | 160M2 | 2.935 | 15,0 | 25,40 | 24.490 | 87 | 232 | 0,88 |
| ART 632/2 N4A | 180L2 | 2.940 | 22,0 | 39,00 | 12.060 | 88 | 307 | 1,13 |
| ART 631/2 N4A | 200L2 | 2.960 | 30,0 | 53,50 | 18.940 | 91 | 360 | 1,45 |
| ART 712/2 N4A | 200L2 | 2.960 | 37,0 | 65,60 | 17.100 | 92 | 439 | 2,00 |
| ART 711/2 N4A | 225M | 2.960 | 45,0 | 77,60 | 27.210 | 93 | 479 | 2,50 |
| ART 802/2 N4A | 280S2 | 2.960 | 75,0 | 126,00 | 24.120 | 94 | 602 | 3,80 |
| ART 801/2 N4A | 280M2 | 2.960 | 90,0 | 151,00 | 38.820 | 95 | 692 | 4,30 |
| ART 902/2 N4A | 315M2 | 2.970 | 132,0 | 220,00 | 34.200 | 97 | 937 | 6,00 |
| ART 901/2 N4A | 315M2 | 2.970 | 160,0 | 263,00 | 55.240 | 98 | 962 | 7,00 |
| 4 POLOS | | | | | | | | |
| ART 562/4 N4A | 90L4 | 1.410 | 1,5 | 3,15 | 5.780 | 67 | 128 | 0,75 |
| ART 561/4 N4A | 100L4 | 1.420 | 2,2 | 4,56 | 6.410 | 68 | 135 | 0,88 |
| ART 632/4 N4A | 100L4 | 1.420 | 3,0 | 6,15 | 5.830 | 70 | 140 | 1,13 |
| ART 631/4 N4A | 112M4 | 1.425 | 4,0 | 8,20 | 9.120 | 71 | 147 | 1,45 |
| ART 712/4 N4A | 112M4 | 1.425 | 4,0 | 8,20 | 8.230 | 73 | 245 | 2,00 |
| ART 711/4 N4A | 132S4 | 1.440 | 5,5 | 10,30 | 13.240 | 74 | 256 | 2,50 |
| ART 802/4 N4A | 132M4 | 1.450 | 7,5 | 13,90 | 11.820 | 76 | 330 | 3,80 |
| ART 801/4 N4A | 160M4 | 1.450 | 11,0 | 20,70 | 19.020 | 79 | 387 | 4,30 |
| ART 902/4 N4A | 160L4 | 1.450 | 15,0 | 28,40 | 16.700 | 80 | 477 | 6,00 |
| ART 901/4 N4A | 180L4 | 1.470 | 22,0 | 40,90 | 27.340 | 81 | 532 | 7,00 |
| ART 1002/4 N4A | 200L4 | 1.470 | 30,0 | 54,60 | 24.120 | 84 | 670 | 10,30 |
| ART 1001/4 N4A | 225S4 | 1.475 | 37,0 | 65,60 | 37.670 | 85 | 710 | 12,50 |
| ART 1122/4 N4A | 225M4 | 1.475 | 45,0 | 79,40 | 34.200 | 87 | 984 | 17,80 |
| ART 1121/4 N4A | 250M4 | 1.475 | 55,0 | 96,90 | 53.100 | 89 | 1.054 | 21,80 |
| ART 1252/4 N4A | 280S4 | 1.475 | 75,0 | 130,00 | 47.520 | 90 | 1.355 | 30,00 |
| ART 1251/4 N4A | 315S4 | 1.480 | 110,0 | 192,00 | 73.830 | 91 | 1.390 | 37,50 |
| ART 1402/4 N4A | 315M4 | 1.485 | 132,0 | 230,00 | 68.400 | 93 | 1.929 | 50,00 |
| ART 1401/4 N4A | 315M4 | 1.485 | 185,0 | 318,00 | 103.100 | 94 | 2.014 | 61,30 |
| 6 POLOS | | | | | | | | |
| ART 902/6 N4A | 132M6 | 960 | 4,0 | 7,30 | 11.050 | 69 | 387 | 6,00 |
| ART 901/6 N4A | 132M6 | 960 | 5,5 | 12,80 | 17.860 | 70 | 397 | 7,00 |
| ART 1002/6 N4A | 160M6 | 965 | 7,5 | 14,70 | 15.830 | 71 | 555 | 10,30 |
| ART 1001/6 N4A | 160L6 | 965 | 11,0 | 21,50 | 24.640 | 72 | 585 | 12,50 |
| ART 1122/6 N4A | 180L6 | 970 | 15,0 | 30,40 | 22.490 | 74 | 824 | 17,80 |
| ART 1121/6 N4A | 200L6 | 970 | 18,5 | 37,30 | 34.920 | 75 | 904 | 21,80 |
| ART 1252/6 N4A | 200L6 | 975 | 22,0 | 43,00 | 31.410 | 77 | 1.110 | 30,00 |
| ART 1251/6 N4A | 225M6 | 975 | 30,0 | 54,20 | 48.640 | 78 | 1.180 | 37,50 |
| ART 1402/6 N4A | 250M6 | 980 | 37,0 | 66,60 | 45.140 | 81 | 1.624 | 50,00 |
| ART 1401/6 N4A | 280M6 | 980 | 55,0 | 102,00 | 68.040 | 82 | 1.739 | 61,30 |

¹ Entubado en la descarga

² Tolerancia del nivel de ruido de +3dB/A, medido en el punto de máxima eficiencia

³ Con motor incluido y para orientación LG270 ó RD270

³ Momento de inercia del rodete

Versiones ESTÁNDAR

| Modelo | Grupo producto | Precio €/u. | Precio Ejecución B ⁽¹⁾ €/u. | Precio Ejecución C ⁽²⁾ €/u. | Precio Puerta inspección €/u. | Precio Purga drenaje €/u. |
|---------------------|----------------|-------------|--|--|-------------------------------|---------------------------|
| 2 POLOS | | | | | | |
| ART 402/2 N4A 2,2 | E01 | 1.871,93 | 332,16 | 260,98 | 198,71 | 154,23 |
| ART 401/2 N4A 3 | E01 | 2.001,38 | 332,16 | 260,98 | 198,71 | 154,23 |
| ART 452/2 N4A 4 | E01 | 2.392,34 | 332,16 | 260,98 | 198,71 | 154,23 |
| ART 451/2 N4A 5,5 | E01 | 2.656,42 | 332,16 | 260,98 | 198,71 | 154,23 |
| ART 502/2 N4A 7,5 | E01 | 3.187,21 | 441,89 | 260,98 | 198,71 | 186,84 |
| ART 501/2 N4A 11 | E01 | 4.077,84 | 441,89 | 260,98 | 198,71 | 186,84 |
| ART 562/2 N4A 11 | E01 | 4.782,10 | 441,89 | 403,34 | 198,71 | 186,84 |
| ART 561/2 N4A 15 | E01 | 5.235,18 | 441,89 | 403,34 | 198,71 | 186,84 |
| ART 632/2 N4A 22 | E01 | 7.169,23 | 441,89 | 403,34 | 231,34 | 186,84 |
| ART 631/2 N4A 30 | E01 | 8.090,98 | 441,89 | 403,34 | 231,34 | 186,84 |
| ART 712/2 N4A 37 | E01 | 10.263,23 | 691,03 | 403,34 | serie | 186,84 |
| ART 711/2 N4A 45 | E01 | 11.744,20 | 691,03 | 403,34 | serie | 186,84 |
| ART 802/2 N4A 75 | E01 | 20.207,98 | 691,03 | 403,34 | serie | 213,55 |
| ART 801/2 N4A 90 | E01 | 22.331,03 | 691,03 | 403,34 | serie | 213,55 |
| ART 902/2 N4A 132 | E01 | 26.750,65 | 691,03 | 688,06 | serie | 213,55 |
| ART 901/2 N4A 160 | E01 | 31.605,23 | 691,03 | 688,06 | serie | 213,55 |
| 4 POLOS | | | | | | |
| ART 562/4 N4A 1,5 | E01 | 2.951,59 | 441,89 | 403,34 | 198,71 | 186,84 |
| ART 561/4 N4A 2,2 | E01 | 3.062,93 | 441,89 | 403,34 | 198,71 | 186,84 |
| ART 632/4 N4A 3 | E01 | 3.961,33 | 441,89 | 403,34 | 231,34 | 186,84 |
| ART 631/4 N4A 4 | E01 | 4.155,52 | 441,89 | 403,34 | 231,34 | 186,84 |
| ART 712/4 N4A 4 | E01 | 4.958,14 | 691,03 | 403,34 | serie | 186,84 |
| ART 711/4 N4A 5,5 | E01 | 5.178,22 | 691,03 | 403,34 | serie | 186,84 |
| ART 802/4 N4A 7,5 | E01 | 6.268,22 | 691,03 | 403,34 | serie | 213,54 |
| ART 801/4 N4A 11 | E01 | 7.277,99 | 691,03 | 403,34 | serie | 213,54 |
| ART 902/4 N4A 15 | E01 | 9.048,93 | 691,03 | 688,06 | serie | 213,54 |
| ART 901/4 N4A 22 | E01 | 10.092,34 | 691,03 | 688,06 | serie | 213,54 |
| ART 1002/4 N4A 30 | E01 | 11.912,49 | 886,76 | 688,06 | serie | 213,54 |
| ART 1001/4 N4A 37 | E01 | 13.248,46 | 886,76 | 688,06 | serie | 213,54 |
| ART 1122/4 N4A 45 | E01 | 16.917,22 | 1.106,23 | 688,06 | serie | serie |
| ART 1121/4 N4A 55 | E01 | 18.421,50 | 1.106,23 | 688,06 | serie | serie |
| ART 1252/4 N4A 75 | E01 | 28.130,66 | 1.106,23 | 688,06 | serie | serie |
| ART 1251/4 N4A 110 | E01 | 30.056,94 | 1.106,23 | 688,06 | serie | serie |
| ART 1402/4 N4A 132 | E01 | 39.957,68 | 1.106,23 | 907,51 | serie | serie |
| ART 1401/4 N4A 185 | E01 | 50.047,42 | 1.106,23 | 907,51 | serie | serie |
| 6 POLOS | | | | | | |
| ART 902/6 N4A 4 | E01 | 7.676,71 | 691,03 | 688,06 | serie | 213,55 |
| ART 901/6 N4A 5,5 | E01 | 7.857,95 | 691,03 | 688,06 | serie | 213,55 |
| ART 1002/6 N4A 7,5 | E01 | 9.328,55 | 886,76 | 688,06 | serie | 213,55 |
| ART 1001/6 N4A 11 | E01 | 10.177,79 | 886,76 | 688,06 | serie | 213,55 |
| ART 1122/6 N4A 15 | E01 | 13.849,13 | 1.106,23 | 688,06 | serie | serie |
| ART 1121/6 N4A 18,5 | E01 | 14.770,86 | 1.106,23 | 688,06 | serie | serie |
| ART 1252/6 N4A 22 | E01 | 19.237,07 | 1.106,23 | 688,06 | serie | serie |
| ART 1251/6 N4A 30 | E01 | 21.033,90 | 1.106,23 | 688,06 | serie | serie |
| ART 1402/6 N4A 37 | E01 | 29.513,22 | 1.106,23 | 907,51 | serie | serie |
| ART 1401/6 N4A 55 | E01 | 36.778,25 | 1.106,23 | 907,51 | serie | serie |

¹ Ejecución B: rodete de refrigeración para alta temperatura² Ejecución C: aro de aspiración antichispas (sin certificado ATEX)



Versiones ATEX

| Modelo | Grupo producto | Precio ATEX II 3G/ ⁽¹⁾ €/u. | Precio ATEX II 3D/ ⁽²⁾ €/u. | Precio ATEX Cat. 3G Zona 2 II 3G Ex Na IIC T4 Gc €/u. | Precio ATEX Cat.3D Zona 22 II 3D Ex tc IIIC T125°C Dc €/u. | Precio ATEX Cat. 2G Zona 1 II 2G IIB T4 €/u. |
|---------------------|----------------|--|--|---|--|--|
| 2 POLOS | | | | | | |
| ART 402/2 N4A 2,2 | E01 | 3.601,37 | 2.746,93 | 3.682,16 | 3.033,37 | 4.820,59 |
| ART 401/2 N4A 3 | E01 | 3.723,77 | 2.869,35 | 3.919,65 | 3.175,37 | 5.263,72 |
| ART 452/2 N4A 4 | E01 | 4.215,87 | 3.253,69 | 4.370,12 | 3.613,60 | 6.132,83 |
| ART 451/2 N4A 5,5 | E01 | 4.465,59 | 3.503,43 | 4.832,83 | 3.980,85 | 6.899,14 |
| ART 502/2 N4A 7,5 | E01 | 5.131,51 | 4.044,49 | 5.408,17 | 4.585,55 | 8.730,42 |
| ART 501/2 N4A 11 | E01 | 5.973,70 | 4.886,67 | 6.465,80 | 5.981,05 | 9.239,66 |
| ART 562/2 N4A 11 | E01 | 7.134,16 | 6.703,28 | 7.626,26 | 7.797,64 | 10.400,10 |
| ART 561/2 N4A 15 | E01 | 7.562,60 | 7.131,71 | 7.978,80 | 8.617,79 | 11.587,51 |
| ART 632/2 N4A 22 | E01 | 9.739,09 | 9.286,16 | 9.971,67 | 10.970,56 | 16.165,72 |
| ART 631/2 N4A 30 | E01 | 10.610,67 | 10.157,73 | 11.266,79 | 12.248,53 | 19.248,03 |
| ART 712/2 N4A 37 | E01 | 12.439,49 | 11.403,88 | 12.383,19 | 14.092,07 | 22.051,27 |
| ART 711/2 N4A 45 | E01 | 13.839,89 | 12.804,27 | 13.318,41 | 15.822,96 | 26.017,40 |
| ART 802/2 N4A 75 | E01 | 22.212,84 | 21.047,49 | 17.984,74 | 28.637,01 | 38.948,99 |
| ART 801/2 N4A 90 | E01 | 24.220,40 | 23.055,04 | 19.252,92 | 32.466,05 | 44.910,42 |
| ART 902/2 N4A 132 | E01 | 29.016,49 | 27.620,99 | 32.527,27 | 44.952,08 | 69.507,86 |
| ART 901/2 N4A 160 | E01 | 33.606,93 | 32.211,44 | - | - | 78.492,90 |
| 4 POLOS | | | | | | |
| ART 562/4 N4A 1,5 | E01 | 5.403,27 | 4.972,38 | 5.652,98 | 5.273,51 | 6.688,57 |
| ART 561/4 N4A 2,2 | E01 | 5.508,53 | 5.077,64 | 5.792,54 | 5.420,39 | 7.026,44 |
| ART 632/4 N4A 3 | E01 | 6.705,72 | 6.252,80 | 6.992,17 | 6.639,63 | 8.529,66 |
| ART 631/4 N4A 4 | E01 | 6.889,33 | 6.436,42 | 7.156,20 | 6.833,04 | 9.134,37 |
| ART 712/4 N4A 4 | E01 | 7.423,05 | 6.387,46 | 7.689,91 | 6.784,08 | 9.668,09 |
| ART 711/4 N4A 5,5 | E01 | 7.631,15 | 6.595,56 | 8.071,82 | 7.139,05 | 10.140,61 |
| ART 802/4 N4A 7,5 | E01 | 9.031,57 | 7.866,19 | 9.435,50 | 8.549,25 | 12.140,80 |
| ART 801/4 N4A 11 | E01 | 9.986,35 | 8.821,00 | 10.429,49 | 9.925,15 | 13.514,27 |
| ART 902/4 N4A 15 | E01 | 12.277,92 | 10.882,42 | 12.735,74 | 12.412,56 | 16.390,94 |
| ART 901/4 N4A 22 | E01 | 13.264,54 | 11.869,05 | 13.651,37 | 13.724,81 | 20.445,22 |
| ART 1002/4 N4A 30 | E01 | 14.985,64 | 13.590,16 | 15.644,24 | 15.820,50 | 23.902,13 |
| ART 1001/4 N4A 37 | E01 | 16.248,93 | 14.853,47 | 16.809,59 | 17.203,76 | 26.994,26 |
| ART 1122/4 N4A 45 | E01 | 19.718,11 | 18.322,60 | 20.139,19 | 21.424,53 | 31.805,03 |
| ART 1121/4 N4A 55 | E01 | 21.140,53 | 19.745,03 | 21.591,01 | 23.336,58 | 36.150,66 |
| ART 1252/4 N4A 75 | E01 | 30.321,40 | 28.925,90 | 28.732,48 | 37.200,93 | 48.262,07 |
| ART 1251/4 N4A 110 | E01 | 32.142,89 | 30.747,39 | 37.271,94 | 45.549,42 | 62.875,60 |
| ART 1402/4 N4A 132 | E01 | 41.999,49 | 40.413,04 | 45.730,60 | 57.744,09 | 82.280,31 |
| ART 1401/4 N4A 185 | E01 | 51.540,26 | 49.953,80 | - | - | - |
| 6 POLOS | | | | | | |
| ART 902/6 N4A 4 | E01 | 10.980,35 | 9.584,84 | 11.252,10 | 10.057,35 | 14.096,96 |
| ART 901/6 N4A 5,5 | E01 | 11.151,72 | 9.756,22 | 11.465,10 | 10.431,93 | 14.870,60 |
| ART 1002/6 N4A 7,5 | E01 | 12.542,32 | 11.146,83 | 12.853,24 | 12.439,49 | 16.222,01 |
| ART 1001/6 N4A 11 | E01 | 13.345,34 | 11.949,84 | 13.232,72 | 13.528,96 | 18.065,54 |
| ART 1122/6 N4A 15 | E01 | 16.816,94 | 15.421,45 | 16.506,02 | 17.054,42 | 24.200,83 |
| ART 1121/6 N4A 18,5 | E01 | 17.688,52 | 16.293,01 | 17.389,82 | 18.099,82 | 24.883,86 |
| ART 1252/6 N4A 22 | E01 | 21.911,72 | 20.516,20 | 21.284,97 | 22.648,64 | 31.239,49 |
| ART 1251/6 N4A 30 | E01 | 23.610,80 | 22.215,30 | 23.569,18 | 25.375,98 | 36.089,45 |
| ART 1402/6 N4A 37 | E01 | 32.123,31 | 30.536,84 | 31.748,72 | 34.010,90 | 47.525,16 |
| ART 1401/6 N4A 55 | E01 | 38.993,06 | 37.406,59 | 36.060,07 | 46.041,52 | 61.071,24 |

¹ Interno ATEX 3G, exterior no clasificado.² Interno ATEX 3D, exterior no clasificado.

Serie VCM



Ventilador centrífugo de acoplamiento directo y simple aspiración. Fabricados en chapa de acero protegida contra la corrosión mediante tratamiento por cataforesis + pintura poliuretana. Temperaturas del aire a transportar -20°C/+100°C en continuo.

Motores

De 2, 4 ó 6 polos, de alta eficiencia IE 3*, tensión de alimentación trifásica 230/400V 50Hz tamaño motor 112 y 400/690V 50Hz para motores de mayor dimensión. Protección IP55, Clase F.

* A partir de 0,75 kW el motor puede ser de eficiencia IE 2 controlado por convertidor de frecuencia.

Bajo pedido

- Fabricación en diferentes materiales constructivos.
- Motores de 2 velocidades.
- Versiones de 60 Hz.
- Pintura en diferentes RAL.
- Versión sin pie soporte (Motor-Brida, Sistema 5), hasta tamaño de motor 160.
- Versión para alta temperatura: hasta 220°C (versiones B: con rodete de refrigeración).
- SISTEMA 8: acoplamiento mediante junta elástica.
- Trampilla de inspección, purga de drenaje, distintos tipos de estanqueidad a nivel de voluta y de paso de eje.
- Ventiladores estancos.
- Calorifugado.



Versiónes ATEX

Bajo pedido, versiones antiexplosivas según la Directiva ATEX para modelos trifásicos: Para trabajar a temperaturas de -20°C a +60°C, presión ambiente (absoluta) de 0,8 bar hasta 1,1 bar, según EN 14986.

- Gas:
 - ⊗ 2G IIB T2-T3-T4
 - ⊗ 2G IIB+H2 T2-T3-T4
 - ⊗ 3G IIB T2-T3-T4
 - ⊗ 3G IIB+H2 T2-T3-T4
- Polvo no conductivo:
 - ⊗ 2D IIIB T125°C-T135°C-T195°C-T295°C
 - ⊗ 3D IIIB T125°C-T135°C-T195°C-T295°C
- Polvo conductivo (con motor IP65 IIIC):
 - ⊗ 2D IIIC T125°C-T135°C-T195°C-T295°C
 - ⊗ 3D IIIC T125°C-T135°C-T195°C-T295°C

Aplicaciones específicas



Versiónes



Rodete de álabes curvados hacia atrás

| CUADRO DE APLICACIONES | |
|-----------------------------------|---------------------------|
| Aire a transportar | Cantidad de polvo (mg/m³) |
| Polvoriento (ambiente industrial) | <500 |

Es imprescindible comprobar que las características eléctricas (voltaje, intensidad, frecuencia, etc.) del motor que aparecen en la placa del mismo son compatibles con las de la instalación.

| Modelo | Tamaño motor | Velocidad (r.p.m.) | Potencia motor (kW) | Intensidad motor 400V (A) | Caudal máximo (m ³ /h) | Nivel presión sonora a 1 m (dB(A)) ⁽¹⁾ | Peso (kg) ⁽²⁾ | Momento de inercia (kg·m ²) ⁽³⁾ |
|----------------|--------------|--------------------|---------------------|---------------------------|-----------------------------------|---|--------------------------|--|
| 2 POLOS | | | | | | | | |
| VCM 352/2 N4A | 80A2 | 2830 | 0,75 | 1,59 | 1.330 | 68 | 34 | 0,07 |
| VCM 351/2 N4A | 80B2 | 2850 | 1,10 | 2,33 | 1.650 | 69 | 38 | 0,08 |
| VCM 402/2 N4A | 90S2 | 2840 | 1,50 | 3,07 | 1.910 | 73 | 50 | 0,11 |
| VCM 401/2 N4A | 90L2 | 2890 | 2,20 | 4,43 | 2.690 | 74 | 54 | 0,13 |
| VCM 452/2 N4A | 100LA2 | 2900 | 3,00 | 5,77 | 2.700 | 76 | 65 | 0,20 |
| VCM 451/2 N4A | 112M2 | 2910 | 4,00 | 7,50 | 3.490 | 77 | 81 | 0,24 |
| VCM 502/2 N4A | 112M2 | 2910 | 4,00 | 7,50 | 3.420 | 79 | 96 | 0,33 |
| VCM 501/2 N4A | 132SA2 | 2890 | 5,50 | 10,10 | 4.720 | 85 | 109 | 0,38 |
| VCM 562/2 N4A | 132SB2 | 2890 | 7,50 | 13,90 | 4.750 | 85 | 136 | 0,55 |
| VCM 561/2 N4A | 160MR2 | 2935 | 11,00 | 18,70 | 6.720 | 86 | 144 | 0,65 |
| VCM 632/2 N4A | 160M2 | 2935 | 15,00 | 25,40 | 6.840 | 87 | 196 | 0,85 |
| VCM 631/2 N4A | 160L2 | 2935 | 18,50 | 33,30 | 9.390 | 88 | 209 | 1,05 |
| VCM 712/2 N4A | 180M2 | 2940 | 22,00 | 39,00 | 8.500 | 90 | 280 | 1,60 |
| VCM 711/2 N4A | 200L2 | 2960 | 30,00 | 53,50 | 13.530 | 91 | 400 | 2,00 |
| VCM 802/2 N4A | 200L2 | 2960 | 37,00 | 65,60 | 12.060 | 91 | 439 | 2,80 |
| VCM 801/2 N4A | 250M2 | 2960 | 55,00 | 93,50 | 19.450 | 92 | 554 | 3,50 |
| VCM 902/2 N4A | 280S2 | 2960 | 75,00 | 126,00 | 19.080 | 92 | 806 | 4,30 |
| VCM 901/2 N4A | 280M2 | 2960 | 90,00 | 151,00 | 27.910 | 93 | 845 | 5,00 |
| VCM 1002/2 N4A | 315S2 | 2970 | 110,00 | 186,00 | 21.600 | 93 | 1.090 | 8,00 |
| VCM 1001/2 N4A | 315MG2 | 2970 | 160,00 | 263,00 | 38.490 | 94 | 1.120 | 9,50 |
| 4 POLOS | | | | | | | | |
| VCM 712/4 N4A | 112M4 | 1425 | 4,00 | 8,2 | 4.120 | 70 | 190 | 1,60 |
| VCM 711/4 N4A | 132SA4 | 1440 | 5,50 | 10,3 | 6.580 | 71 | 200 | 2,00 |
| VCM 802/4 N4A | 132MA4 | 1450 | 7,50 | 13,9 | 5.910 | 73 | 290 | 2,80 |
| VCM 902/4 N4A | 160M4 | 1460 | 11,00 | 20,7 | 9.350 | 74 | 460 | 4,30 |
| VCM 901/4 N4A | 160L4 | 1450 | 15,00 | 28,4 | 13.670 | 78 | 470 | 5,00 |
| VCM 1002/4 N4A | 180M4 | 1470 | 18,50 | 34,9 | 10.690 | 80 | 590 | 8,00 |
| VCM 1001/4 N4A | 180L4 | 1470 | 22,00 | 40,9 | 19.050 | 81 | 630 | 9,50 |

¹ Entubado en la descarga

Tolerancia del nivel de ruido de +3dB/A, medido en el punto de máxima eficiencia

² Con motor incluido y para orientación LG270 ó RD270

³ Momento de inercia del rodete

Versiones ESTÁNDAR

| Modelo | Grupo producto | Precio €/u. | Precio Ejecución B ⁽¹⁾ €/u. | Precio Ejecución C ⁽²⁾ €/u. | Precio Puerta inspección €/u. | Precio Purga drenaje €/u. |
|---------------------|----------------|-------------|--|--|-------------------------------|---------------------------|
| 2 POLOS | | | | | | |
| VCM 352/2 N4A 0,75 | E01 | 1.227,13 | 252,10 | 260,98 | 145,33 | 154,23 |
| VCM 351/2 N4A 1,1 | E01 | 1.234,67 | 252,10 | 260,98 | 145,33 | 154,23 |
| VCM 402/2 N4A 1,5 | E01 | 1.425,37 | 332,16 | 260,98 | 145,33 | 154,23 |
| VCM 401/2 N4A 2,2 | E01 | 1.528,25 | 332,16 | 260,98 | 145,33 | 154,23 |
| VCM 452/2 N4A 3 | E01 | 2.067,79 | 332,16 | 260,98 | 145,33 | 154,23 |
| VCM 451/2 N4A 4 | E01 | 2.205,81 | 332,16 | 260,98 | 145,33 | 154,23 |
| VCM 502/2 N4A 4 | E01 | 2.419,12 | 332,16 | 260,98 | 145,33 | 154,23 |
| VCM 501/2 N4A 5,5 | E01 | 2.675,07 | 332,16 | 260,98 | 145,33 | 154,23 |
| VCM 562/2 N4A 7,5 | E01 | 3.523,26 | 441,89 | 260,98 | 198,71 | 154,23 |
| VCM 561/2 N4A 11 | E01 | 4.386,50 | 441,89 | 260,98 | 198,71 | 154,23 |
| VCM 632/2 N4A 15 | E01 | 5.390,30 | 441,89 | 260,98 | 198,71 | 186,84 |
| VCM 631/2 N4A 18,5 | E01 | 5.947,39 | 441,89 | 260,98 | 198,71 | 186,84 |
| VCM 712/2 N4A 22 | E01 | 7.317,53 | 691,03 | 403,34 | 198,71 | 186,84 |
| VCM 711/2 N4A 30 | E01 | 8.210,90 | 691,03 | 403,34 | 198,71 | 186,84 |
| VCM 802/2 N4A 37 | E01 | 11.096,74 | 691,03 | 403,34 | 198,71 | 186,84 |
| VCM 801/2 N4A 55 | E01 | 13.949,99 | 691,03 | 403,34 | 198,71 | 186,84 |
| VCM 902/2 N4A 75 | E01 | 21.415,59 | 886,76 | 403,34 | 198,71 | 186,84 |
| VCM 901/2 N4A 90 | E01 | 23.473,32 | 886,76 | 403,34 | 198,71 | 186,84 |
| VCM 1002/2 N4A 110 | E01 | 25.759,42 | 1.106,23 | 403,34 | 231,34 | 213,55 |
| VCM 1001/2 N4A 160 | E01 | 33.701,81 | 1.106,23 | 403,34 | 231,34 | 213,55 |
| 4 POLOS | | | | | | |
| VCM 712/4 N4A 4 | E01 | 4.396,53 | 691,03 | 403,34 | 198,71 | 186,84 |
| VCM 711/4 N4A 5,5 | E01 | 4.609,85 | 691,03 | 403,34 | 198,71 | 186,84 |
| VCM 802/4 N4A 7,5 | E01 | 6.399,08 | 691,03 | 403,34 | 198,71 | 186,84 |
| VCM 902/4 N4A 11 | E01 | 8.883,42 | 886,76 | 403,34 | 198,71 | 186,84 |
| VCM 901/4 N4A 15 | E01 | 9.297,49 | 886,76 | 403,34 | 198,71 | 186,84 |
| VCM 1002/4 N4A 18,5 | E01 | 12.492,00 | 1.106,23 | 403,34 | 231,34 | 213,55 |
| VCM 1001/4 N4A 22 | E01 | 12.850,86 | 1.106,23 | 403,34 | 231,34 | 213,55 |

¹ Ejecución B: rodete de refrigeración para alta temperatura² Ejecución C: aro de aspiración antichispas (sin certificado ATEX)



Versiones ATEX

| Modelo | Grupo producto | Precio ATEX II 3G/ ⁽¹⁾ €/u. | Precio ATEX II 3D/ ⁽²⁾ €/u. | Precio ATEX Cat. 3G Zona 2 II 3G Ex Na IIC T4 Gc €/u. | Precio ATEX Cat.3D Zona 22 II 3D Ex tc IIIC T125°C Dc €/u. | Precio ATEX Cat. 2G Zona 1 II 2G IIB T4 €/u. |
|---------------------|----------------|--|--|---|--|--|
| 2 POLOS | | | | | | |
| VCM 352/2 N4A 0,75 | E01 | 3.006,42 | 2.149,54 | 3.092,12 | 2.357,67 | 4.081,23 |
| VCM 351/2 N4A 1,1 | E01 | 3.013,78 | 2.156,91 | 3.136,19 | 2.399,28 | 4.117,94 |
| VCM 402/2 N4A 1,5 | E01 | 3.199,86 | 2.342,98 | 3.317,37 | 2.577,99 | 4.318,69 |
| VCM 401/2 N4A 2,2 | E01 | 3.300,22 | 2.443,35 | 3.381,02 | 2.729,80 | 4.519,45 |
| VCM 452/2 N4A 3 | E01 | 3.929,43 | 2.969,72 | 4.125,28 | 3.275,75 | 5.469,36 |
| VCM 451/2 N4A 4 | E01 | 4.064,07 | 3.104,36 | 4.218,32 | 3.464,26 | 5.981,05 |
| VCM 502/2 N4A 4 | E01 | 4.375,00 | 3.312,46 | 4.529,25 | 3.672,37 | 6.291,98 |
| VCM 501/2 N4A 5,5 | E01 | 4.624,70 | 3.562,18 | 4.991,95 | 4.039,60 | 7.058,29 |
| VCM 562/2 N4A 7,5 | E01 | 5.719,09 | 4.453,36 | 5.995,75 | 4.994,41 | 9.317,98 |
| VCM 561/2 N4A 11 | E01 | 6.561,27 | 5.295,54 | 7.053,37 | 6.389,90 | 9.827,21 |
| VCM 632/2 N4A 15 | E01 | 6.779,18 | 6.274,84 | 7.195,37 | 7.760,91 | 10.804,08 |
| VCM 631/2 N4A 18,5 | E01 | 7.322,67 | 6.818,34 | 7.489,17 | 8.490,50 | 11.878,84 |
| VCM 712/2 N4A 22 | E01 | 9.587,30 | 8.732,86 | 9.819,88 | 10.417,24 | 16.013,91 |
| VCM 711/2 N4A 30 | E01 | 10.458,86 | 9.604,43 | 11.115,00 | 11.695,23 | 19.096,25 |
| VCM 802/2 N4A 37 | E01 | 13.705,24 | 12.689,23 | 13.648,93 | 15.377,36 | 23.317,00 |
| VCM 801/2 N4A 55 | E01 | 16.488,88 | 15.472,87 | 16.077,57 | 19.155,00 | 31.731,59 |
| VCM 902/2 N4A 75 | E01 | 24.142,06 | 22.988,94 | 19.913,96 | 30.578,47 | 40.878,20 |
| VCM 901/2 N4A 90 | E01 | 26.149,61 | 24.996,48 | 21.182,15 | 34.407,51 | 46.839,64 |
| VCM 1002/2 N4A 110 | E01 | 28.913,67 | 27.574,48 | 33.445,36 | 42.300,61 | 56.346,15 |
| VCM 1001/2 N4A 160 | E01 | 36.662,34 | 35.323,16 | - | - | 81.548,29 |
| 4 POLOS | | | | | | |
| VCM 712/4 N4A 4 | E01 | 6.737,56 | 5.883,13 | 7.004,41 | 6.279,73 | 8.982,58 |
| VCM 711/4 N4A 5,5 | E01 | 6.945,66 | 6.091,21 | 7.386,33 | 6.634,73 | 9.455,09 |
| VCM 802/4 N4A 7,5 | E01 | 9.122,15 | 8.106,12 | 9.526,09 | 8.789,18 | 12.231,39 |
| VCM 902/4 N4A 11 | E01 | 11.915,57 | 10.762,46 | 12.358,70 | 11.866,61 | 15.443,49 |
| VCM 901/4 N4A 15 | E01 | 12.319,53 | 11.166,42 | 12.777,36 | 12.696,56 | 16.432,56 |
| VCM 1002/4 N4A 18,5 | E01 | 15.969,85 | 14.630,65 | 16.447,26 | 16.006,56 | 21.747,66 |
| VCM 1001/4 N4A 22 | E01 | 16.319,93 | 14.980,75 | 16.706,76 | 16.836,52 | 23.500,62 |

¹ Interno ATEX 3G, exterior no clasificado.

² Interno ATEX 3D, exterior no clasificado.

Serie FG-N



Ventilador centrífugo de acoplamiento directo y simple aspiración. Fabricados en chapa de acero protegida contra la corrosión mediante tratamiento por cataforesis + pintura poliuretana. Temperaturas del aire a transportar -20°C/+100°C en continuo.

Motores

De 2 polos, de alta eficiencia IE 3*, tensión de alimentación trifásica 230/400V 50Hz hasta tamaño motor 112 y 400/690V 50Hz para motores de mayor dimensión. Protección IP55, Clase F.

* A partir de 0,75 kW el motor puede ser de eficiencia IE 2 controlado por convertidor de frecuencia.

Bajo pedido

- Fabricación en diferentes materiales constructivos.
- Motores de 2 velocidades.
- Versiones de 60 Hz.
- Pintura en diferentes RAL.
- Versión sin pie soporte (Motor-Brida, Sistema 5), hasta tamaño de motor 160.
- Versión para alta temperatura: hasta 220°C (versiones B: con rodete de refrigeración).
- SISTEMA 8: acoplamiento mediante junta elástica.
- Trampilla de inspección, purga de drenaje, distintos tipos de estanqueidad a nivel de voluta y de paso de eje.
- Ventiladores estancos.
- Calorifugado.



Rodete álabes curvados hacia atrás

Versiones ATEX

Bajo pedido, versiones antiexplosivas según la Directiva ATEX para modelos trifásicos: Para trabajar a temperaturas de -20°C a +60°C, presión ambiente (absoluta) de 0,8 bar hasta 1,1 bar, según EN 14986.

- Gas:
 - ⊕ 2G IIB T2-T3-T4*
 - ⊕ 2G IIB+H2 T2-T3-T4*
 - ⊕ 3G IIB T2-T3-T4*
 - ⊕ 3G IIB+H2 T2-T3-T4*
- Polvo no conductivo:
 - ⊕ 2D IIIB T125°C*-T135°C*-T195°C-T295°C
 - ⊕ 3D IIIB T125°C*-T135°C*-T195°C-T295°C
- Polvo conductivo (con motor IP65 IIIC):
 - ⊕ 2D IIIC T125°C*-T135°C*-T195°C-T295°C
 - ⊕ 3D IIIC T125°C*-T135°C*-T195°C-T295°C

* Viabilidad técnica solicitada.

Aplicaciones específicas



Versiones

| CUADRO DE APLICACIONES | |
|------------------------|---------------------------|
| Aire a transportar | Cantidad de polvo (mg/m³) |
| Aire limpio | 50 |

Es imprescindible comprobar que las características eléctricas (voltaje, intensidad, frecuencia, etc.) del motor que aparecen en la placa del mismo son compatibles con las de la instalación.

| Modelo | Tamaño motor | Velocidad (r.p.m.) | Potencia motor (kW) | Intensidad motor 400V (A) | Caudal máximo (m ³ /h) | Nivel presión sonora a 1 m (dB(A)) ⁽¹⁾ | Peso (kg) ⁽²⁾ | Momento de inercia (kg·m ²) ⁽³⁾ |
|---------------|--------------|--------------------|---------------------|---------------------------|-----------------------------------|---|--------------------------|--|
| 2 POLOS | | | | | | | | |
| FG 451/2 N4A | 90L2 | 2850 | 2,2 | 4,43 | 3.290 | 79 | 68 | 0,28 |
| FG 502/2 N4A | 100LA2 | 2900 | 3,0 | 5,77 | 2.120 | 80 | 90 | 0,33 |
| FG 502/2 N4A | 112M2 | 2910 | 4,0 | 7,50 | 3.060 | 80 | 96 | 0,33 |
| FG 501/2 N4A | 112M2 | 2910 | 4,0 | 7,50 | 3.310 | 81 | 96 | 0,38 |
| FG 501/2 N4A | 132SA2 | 2890 | 5,5 | 10,10 | 4.620 | 85 | 110 | 0,38 |
| FG 562/2 N4A | 132SA2 | 2890 | 5,5 | 10,10 | 3.220 | 86 | 130 | 0,55 |
| FG 562/2 N4A | 132SB2 | 2890 | 7,5 | 13,90 | 4.750 | 86 | 136 | 0,55 |
| FG 561/2 N4A | 132SB2 | 2890 | 7,5 | 13,90 | 3.510 | 86 | 138 | 0,68 |
| FG 632/2 N4A | 160MR2 | 2930 | 11,0 | 18,70 | 6.120 | 88 | 196 | 0,90 |
| FG 631/2 N4A | 160MR2 | 2930 | 11,0 | 18,70 | 4.390 | 88 | 199 | 1,05 |
| FG 631/2 N4A | 160M2 | 2935 | 15,0 | 25,40 | 9.250 | 88 | 201 | 1,05 |
| FG 712/2 N4A | 160L2 | 2935 | 18,5 | 33,30 | 7.490 | 89 | 250 | 1,68 |
| FG 712/2 N4A | 180M2 | 2940 | 22,0 | 39,00 | 9.540 | 91 | 272 | 1,68 |
| FG 711/2 N4A | 180M2 | 2940 | 22,0 | 39,00 | 7.390 | 92 | 276 | 2,00 |
| FG 711/2 N4A | 200LR2 | 2960 | 30,0 | 53,50 | 13.210 | 92 | 392 | 2,00 |
| FG 802/2 N4A | 200LR2 | 2960 | 30,0 | 53,50 | 7.950 | 93 | 428 | 2,80 |
| FG 802/2 N4A | 200L2 | 2960 | 37,0 | 65,60 | 12.060 | 93 | 439 | 2,80 |
| FG 801/2 N4A | 200L2 | 2960 | 37,0 | 65,60 | 8.230 | 93 | 444 | 3,50 |
| FG 801/2 N4A | 225M2 | 2960 | 45,0 | 77,60 | 18.940 | 93 | 488 | 3,50 |
| FG 902/2 N4A | 250M2 | 2960 | 55,0 | 93,50 | 12.640 | 94 | 706 | 4,30 |
| FG 902/2 N4A | 280S2 | 2960 | 75,0 | 126,00 | 21.600 | 94 | 806 | 4,30 |
| FG 901/2 N4A | 280S2 | 2960 | 75,0 | 126,00 | 17.650 | 95 | 812 | 4,80 |
| FG 901/2 N4A | 280M2 | 2960 | 90,0 | 151,00 | 27.780 | 95 | 845 | 4,80 |
| FG 1002/2 N4A | 280M2 | 2960 | 90,0 | 151,00 | 15.070 | 97 | 924 | 8,00 |
| FG 1002/2 N4A | 315S2 | 2970 | 110,0 | 186,00 | 24.120 | 97 | 1.083 | 8,00 |
| FG 1001/2 N4A | 315S2 | 1970 | 110,0 | 186,00 | 25.330 | 98 | 1.090 | 9,50 |
| FG 1001/2 N4A | 315M2 | 2970 | 132,0 | 220,00 | 37.230 | 98 | 1.117 | 9,50 |

¹ Entubado en la descarga

Tolerancia del nivel de ruido de +3dB/A, medido en el punto de máxima eficiencia

² Con motor incluido y para orientación LG270 ó RD270

³ Momento de inercia del rodete

Versiones ESTÁNDAR

| Modelo | Grupo producto | Precio €/u. | Precio Ejecución B ⁽¹⁾ €/u. | Precio Ejecución C ⁽²⁾ €/u. | Precio Puerta inspección €/u. | Precio Purga drenaje €/u. |
|-------------------|----------------|-------------|--|--|-------------------------------|---------------------------|
| 2 POLOS | | | | | | |
| FG 451/2 N4A 2,2 | E01 | 2.481,84 | 332,16 | 255,05 | 145,33 | 154,23 |
| FG 502/2 N4A 3 | E01 | 2.848,23 | 332,16 | 255,05 | 145,33 | 154,23 |
| FG 502/2 N4A 4 | E01 | 2.986,24 | 332,16 | 255,05 | 145,33 | 154,23 |
| FG 501/2 N4A 4 | E01 | 2.986,24 | 332,16 | 255,05 | 145,33 | 154,23 |
| FG 501/2 N4A 5,5 | E01 | 3.242,21 | 332,16 | 255,05 | 145,33 | 154,23 |
| FG 562/2 N4A 5,5 | E01 | 3.616,11 | 441,89 | 255,05 | 198,71 | 154,23 |
| FG 562/2 N4A 7,5 | E01 | 3.884,62 | 441,89 | 255,05 | 198,71 | 154,23 |
| FG 561/2 N4A 7,5 | E01 | 3.884,62 | 441,89 | 255,05 | 198,71 | 154,23 |
| FG 632/2 N4A 11 | E01 | 4.951,13 | 441,89 | 255,05 | 198,71 | 186,84 |
| FG 631/2 N4A 11 | E01 | 4.951,13 | 441,89 | 255,05 | 198,71 | 186,84 |
| FG 631/2 N4A 15 | E01 | 5.390,30 | 441,89 | 255,05 | 198,71 | 186,84 |
| FG 712/2 N4A 18,5 | E01 | 6.767,95 | 691,03 | 403,34 | 198,71 | 186,84 |
| FG 712/2 N4A 22 | E01 | 7.317,53 | 691,03 | 403,34 | 198,71 | 186,84 |
| FG 711/2 N4A 22 | E01 | 7.317,53 | 691,03 | 403,34 | 198,71 | 186,84 |
| FG 711/2 N4A 30 | E01 | 8.210,90 | 691,03 | 403,34 | 198,71 | 186,84 |
| FG 802/2 N4A 30 | E01 | 9.769,27 | 691,03 | 403,34 | 198,71 | 186,84 |
| FG 802/2 N4A 37 | E01 | 11.096,74 | 691,03 | 403,34 | 198,71 | 186,84 |
| FG 801/2 N4A 37 | E01 | 11.096,74 | 691,03 | 403,34 | 198,71 | 186,84 |
| FG 801/2 N4A 45 | E01 | 12.532,16 | 691,03 | 403,34 | 198,71 | 186,84 |
| FG 902/2 N4A 55 | E01 | 15.455,64 | 886,76 | 403,34 | 198,71 | 186,84 |
| FG 902/2 N4A 75 | E01 | 21.415,59 | 886,76 | 403,34 | 198,71 | 186,84 |
| FG 901/2 N4A 75 | E01 | 21.415,59 | 886,76 | 403,34 | 198,71 | 186,84 |
| FG 901/2 N4A 90 | E01 | 23.473,32 | 886,76 | 403,34 | 198,71 | 186,84 |
| FG 1002/2 N4A 90 | E01 | 26.015,38 | 1.106,23 | 403,34 | 231,34 | 213,55 |
| FG 1002/2 N4A 110 | E01 | 25.759,42 | 1.106,23 | 403,34 | 231,34 | 213,55 |
| FG 1001/2 N4A 110 | E01 | 25.759,42 | 1.106,23 | 403,34 | 231,34 | 213,55 |
| FG 1001/2 N4A 132 | E01 | 28.996,60 | 1.106,23 | 403,34 | 231,34 | 213,55 |

¹ Ejecución B: rodete de refrigeración para alta temperatura² Ejecución C: aro de aspiración antichispas (sin certificado ATEX)



Versiones ATEX

| Modelo | Grupo producto | Precio ATEX II 3G/ ⁽¹⁾ €/u. | Precio ATEX II 3D/ ⁽²⁾ €/u. | Precio ATEX Cat. 3G Zona 2 II 3G Ex Na IIC T4 Gc €/u. | Precio ATEX Cat.3D Zona 22 II 3D Ex tc IIIC T125°C Dc €/u. | Precio ATEX Cat. 2G Zona 1 II 2G IIB T4 €/u. |
|-------------------|----------------|--|--|---|--|--|
| 2 POLOS | | | | | | |
| FG 451/2 N4A 2,2 | E01 | 3.851,08 | 3.373,67 | 3.931,88 | 3.660,12 | 5.070,31 |
| FG 502/2 N4A 3 | E01 | 4.208,53 | 3.731,13 | 4.404,38 | 4.037,14 | 5.748,46 |
| FG 502/2 N4A 4 | E01 | 4.343,18 | 3.865,77 | 4.497,42 | 4.225,66 | 6.260,15 |
| FG 501/2 N4A 4 | E01 | 4.343,18 | 3.865,77 | 4.497,42 | 4.225,66 | 6.260,15 |
| FG 501/2 N4A 5,5 | E01 | 4.592,90 | 4.115,50 | 4.960,13 | 4.592,90 | 7.026,44 |
| FG 562/2 N4A 5,5 | E01 | 5.038,47 | 4.543,93 | 5.405,70 | 5.021,33 | 7.472,02 |
| FG 562/2 N4A 7,5 | E01 | 5.300,44 | 4.805,90 | 5.577,07 | 5.346,94 | 8.899,33 |
| FG 561/2 N4A 7,5 | E01 | 5.300,44 | 4.805,90 | 5.577,07 | 5.346,94 | 8.899,33 |
| FG 632/2 N4A 11 | E01 | 6.340,95 | 5.846,40 | 6.833,04 | 6.940,76 | 9.606,86 |
| FG 631/2 N4A 11 | E01 | 6.340,95 | 5.846,40 | 6.833,04 | 6.940,76 | 9.606,86 |
| FG 631/2 N4A 15 | E01 | 6.769,38 | 6.274,84 | 7.185,57 | 7.760,91 | 10.794,29 |
| FG 712/2 N4A 18,5 | E01 | 8.617,79 | 7.927,39 | 8.784,28 | 9.599,55 | 13.173,97 |
| FG 712/2 N4A 22 | E01 | 9.153,95 | 8.463,55 | 9.386,56 | 10.147,93 | 15.580,58 |
| FG 711/2 N4A 22 | E01 | 9.153,95 | 8.463,55 | 9.386,56 | 10.147,93 | 15.580,58 |
| FG 711/2 N4A 30 | E01 | 10.025,54 | 9.335,12 | 10.681,66 | 11.425,93 | 18.662,91 |
| FG 802/2 N4A 30 | E01 | 11.545,89 | 10.855,49 | 12.202,02 | 12.946,26 | 20.183,27 |
| FG 802/2 N4A 37 | E01 | 12.840,99 | 12.150,59 | 12.784,70 | 14.838,77 | 22.452,77 |
| FG 801/2 N4A 37 | E01 | 12.840,99 | 12.150,59 | 12.784,70 | 14.838,77 | 22.452,77 |
| FG 801/2 N4A 45 | E01 | 14.241,40 | 13.551,00 | 13.719,94 | 16.569,67 | 26.418,92 |
| FG 902/2 N4A 55 | E01 | 17.463,28 | 16.648,00 | 17.051,98 | 20.330,15 | 32.705,99 |
| FG 902/2 N4A 75 | E01 | 23.277,82 | 22.462,57 | 19.049,73 | 30.052,10 | 40.013,96 |
| FG 901/2 N4A 75 | E01 | 23.277,82 | 22.462,57 | 19.049,73 | 30.052,10 | 40.013,96 |
| FG 901/2 N4A 90 | E01 | 25.285,36 | 24.470,12 | 20.317,90 | 33.881,15 | 45.975,41 |
| FG 1002/2 N4A 90 | E01 | 28.299,16 | 27.283,14 | 23.331,69 | 36.694,17 | 48.989,19 |
| FG 1002/2 N4A 110 | E01 | 28.049,44 | 27.033,43 | 32.581,12 | 41.759,57 | 55.481,92 |
| FG 1001/2 N4A 110 | E01 | 28.049,44 | 27.033,43 | 32.581,12 | 41.759,57 | 55.481,92 |
| FG 1001/2 N4A 132 | E01 | 31.207,65 | 30.191,65 | 34.718,44 | 47.522,71 | 71.699,02 |

¹ Interno ATEX 3G, exterior no clasificado.

² Interno ATEX 3D, exterior no clasificado.

Serie FI-N



Ventilador centrífugo de acoplamiento directo y simple aspiración. Fabricados en chapa de acero protegida contra la corrosión mediante tratamiento por cataforesis + pintura poliuretana. Temperaturas del aire a transportar -20°C/+100°C en continuo.

Motores

De 2 polos, de alta eficiencia IE 3*, tensión de alimentación trifásica 230/400V 50Hz hasta tamaño motor 112, y 400/690V 50Hz para motores de mayor dimensión. Protección IP55, Clase F.

* A partir de 0,75 kW el motor puede ser de eficiencia IE 2 controlado por convertidor de frecuencia.

Bajo pedido

- Fabricación en diferentes materiales constructivos.
- Motores de 2 velocidades.
- Versiones de 60 Hz.
- Pintura en diferentes RAL.
- Versión sin pie soporte (Motor-Brida, Sistema 5), hasta tamaño de motor 160.
- Versión para alta temperatura: hasta 220°C (versiones B: con rodete de refrigeración).
- SISTEMA 8: acoplamiento mediante junta elástica.
- Trampilla de inspección, purga de drenaje, distintos tipos de estanqueidad a nivel de voluta y de paso de eje.
- Ventiladores estancos.
- Calorifugado.



Rodete álabes curvados hacia atrás

Versiones ATEX

Bajo pedido, versiones antiexplosivas según la Directiva ATEX para modelos trifásicos: Para trabajar a temperaturas de -20°C a +60°C, presión ambiente (absoluta) de 0,8 bar hasta 1,1 bar, según EN 14986.

- Gas:
 - ⊕ 2G IIB T2-T3-T4*
 - ⊕ 2G IIB+H2 T2-T3-T4*
 - ⊕ 3G IIB T2-T3-T4*
 - ⊕ 3G IIB+H2 T2-T3-T4*
- Polvo no conductivo:
 - ⊕ 2D IIIB T125°C*-T135°C*-T195°C-T295°C
 - ⊕ 3D IIIB T125°C*-T135°C*-T195°C-T295°C
- Polvo conductivo (con motor IP65 IIIC):
 - ⊕ 2D IIIC T125°C*-T135°C*-T195°C-T295°C
 - ⊕ 3D IIIC T125°C*-T135°C*-T195°C-T295°C

* Viabilidad técnica solicitada.

Aplicaciones específicas



Versiones

| CUADRO DE APLICACIONES | |
|------------------------|---------------------------|
| Aire a transportar | Cantidad de polvo (mg/m³) |
| Aire limpio | <50 |

Es imprescindible comprobar que las características eléctricas (voltaje, intensidad, frecuencia, etc.) del motor que aparecen en la placa del mismo son compatibles con las de la instalación.

| Modelo | Tamaño motor | Velocidad (r.p.m.) | Potencia motor (kW) | Intensidad motor 400V [A] | Caudal máximo (m ³ /h) | Nivel presión sonora a 1 m [dB(A)] ⁽¹⁾ | Peso (kg) ⁽²⁾ | Momento de inercia (kg·m ²) ⁽³⁾ |
|---------------|--------------|--------------------|---------------------|---------------------------|-----------------------------------|---|--------------------------|--|
| 2 POLOS | | | | | | | | |
| FI 401/2 N4A | 90L2 | 2850 | 2,2 | 4,43 | 3.000 | 78 | 56 | 0,15 |
| FI 451/2 N4A | 112M2 | 2910 | 4,0 | 7,50 | 4.320 | 81 | 83 | 0,28 |
| FI 502/2 N4A | 112M2 | 2910 | 4,0 | 7,50 | 3.400 | 83 | 98 | 0,35 |
| FI 502/2 N4A | 132SA2 | 2890 | 5,5 | 10,10 | 4.750 | 81 | 111 | 0,35 |
| FI 501/2 N4A | 132SA2 | 2890 | 5,5 | 10,10 | 5.860 | 87 | 112 | 0,40 |
| FI 501/2 N4A | 132SB2 | 2890 | 7,5 | 13,90 | 5.860 | 87 | 118 | 0,40 |
| FI 562/2 N4A | 132SB2 | 2890 | 7,5 | 13,90 | 6.840 | 88 | 138 | 0,58 |
| FI 561/2 N4A | 160MR2 | 2930 | 11,0 | 18,70 | 8.360 | 89 | 173 | 0,70 |
| FI 632/2 N4A | 160M2 | 2935 | 15,0 | 25,40 | 9.540 | 90 | 208 | 0,98 |
| FI 631/2 N4A | 160M2 | 2935 | 15,0 | 25,40 | 7.600 | 90 | 222 | 1,20 |
| FI 631/2 N4A | 160L2 | 2940 | 18,5 | 33,30 | 11.930 | 92 | 244 | 1,20 |
| FI 712/2 N4A | 180M2 | 2940 | 22,0 | 39,00 | 9.660 | 93 | 279 | 1,80 |
| FI 712/2 N4A | 200LR2 | 2960 | 30,0 | 53,50 | 13.500 | 93 | 395 | 1,80 |
| FI 711/2 N4A | 200LR2 | 2960 | 30,0 | 53,50 | 17.480 | 94 | 398 | 2,20 |
| FI 711/2 N4A | 200L2 | 2960 | 37,0 | 65,60 | 17.480 | 94 | 409 | 2,20 |
| FI 802/2 N4A | 225M2 | 2960 | 45,0 | 77,60 | 21.600 | 95 | 491 | 3,00 |
| FI 802/2 N4A | 250M2 | 2960 | 55,0 | 93,50 | 21.600 | 95 | 561 | 3,00 |
| FI 801/2 N4A | 250M2 | 2960 | 55,0 | 93,50 | 24.740 | 96 | 565 | 3,80 |
| FI 801/2 N4A | 280S2 | 2960 | 75,0 | 126,00 | 24.740 | 96 | 664 | 3,80 |
| FI 902/2 N4A | 280S2 | 2960 | 75,0 | 126,00 | 21.030 | 98 | 875 | 4,80 |
| FI 902/2 N4A | 280M2 | 2960 | 90,0 | 151,00 | 27.000 | 98 | 907 | 4,80 |
| FI 901/2 N4A | 280M2 | 2960 | 90,0 | 151,00 | 23.790 | 98 | 912 | 5,30 |
| FI 901/2 N4A | 315S2 | 2970 | 110,0 | 186,00 | 35.320 | 98 | 1.071 | 5,30 |
| FI 1002/2 N4A | 315M2 | 2970 | 132,0 | 220,00 | 38.160 | 100 | 1.150 | 9,00 |
| FI 1002/2 N4A | 315MG2 | 2975 | 160,0 | 263,00 | 38.160 | 100 | 1.200 | 9,00 |
| FI 1001/2 N4A | 315MG2 | 2975 | 160,0 | 263,00 | 48.490 | 100 | 1.120 | 12,30 |
| FI 1001/2 N4A | 315MK2 | 2980 | 200,0 | 336,00 | 48.490 | 100 | 1.300 | 12,30 |

¹ Entubado en la descarga

Tolerancia del nivel de ruido de +3dB/A, medido en el punto de máxima eficiencia

² Con motor incluido y para orientación LG270 ó RD270

³ Momento de inercia del rodete

Versiones ESTÁNDAR

| Modelo | Grupo producto | Precio €/u. | Precio Ejecución B ⁽¹⁾ €/u. | Precio Ejecución C ⁽²⁾ €/u. | Precio Puerta inspección €/u. | Precio Purga drenaje €/u. |
|-------------------|----------------|-------------|--|--|-------------------------------|---------------------------|
| 2 POLOS | | | | | | |
| FI 401/2 N4A 2,2 | E01 | 2.528,27 | 332,16 | 255,05 | 145,33 | 154,23 |
| FI 451/2 N4A 4 | E01 | 2.911,59 | 332,16 | 255,05 | 198,71 | 154,23 |
| FI 502/2 N4A 4 | E01 | 3.178,01 | 332,16 | 255,05 | 198,71 | 154,23 |
| FI 502/2 N4A 5,5 | E01 | 3.455,29 | 332,16 | 255,05 | 198,71 | 154,23 |
| FI 501/2 N4A 5,5 | E01 | 3.455,29 | 332,16 | 255,05 | 198,71 | 154,23 |
| FI 501/2 N4A 7,5 | E01 | 3.746,18 | 332,16 | 255,05 | 198,71 | 154,23 |
| FI 562/2 N4A 7,5 | E01 | 4.056,09 | 441,89 | 255,05 | 198,71 | 154,23 |
| FI 562/2 N4A 11 | E01 | 4.991,28 | 441,89 | 255,05 | 198,71 | 154,23 |
| FI 561/2 N4A 11 | E01 | 4.991,28 | 441,89 | 255,05 | 198,71 | 154,23 |
| FI 561/2 N4A 11 | E01 | 4.991,28 | 441,89 | 255,05 | 198,71 | 154,23 |
| FI 632/2 N4A 15 | E01 | 6.391,35 | 441,89 | 403,34 | 198,71 | 186,84 |
| FI 631/2 N4A 15 | E01 | 6.391,35 | 441,89 | 403,34 | 198,71 | 186,84 |
| FI 631/2 N4A 18,5 | E01 | 6.994,86 | 441,89 | 403,34 | 198,71 | 186,84 |
| FI 712/2 N4A 22 | E01 | 8.555,33 | 691,03 | 403,34 | 198,71 | 186,84 |
| FI 712/2 N4A 30 | E01 | 9.523,13 | 691,03 | 403,34 | 198,71 | 186,84 |
| FI 711/2 N4A 30 | E01 | 9.523,13 | 691,03 | 403,34 | 198,71 | 186,84 |
| FI 711/2 N4A 37 | E01 | 10.961,26 | 691,03 | 403,34 | 198,71 | 186,84 |
| FI 802/2 N4A 45 | E01 | 14.166,43 | 691,03 | 403,34 | 231,34 | 186,84 |
| FI 802/2 N4A 55 | E01 | 15.702,42 | 691,03 | 403,34 | 231,34 | 186,84 |
| FI 801/2 N4A 55 | E01 | 15.702,42 | 691,03 | 403,34 | 231,34 | 186,84 |
| FI 801/2 N4A 75 | E01 | 22.159,01 | 691,03 | 403,34 | 231,34 | 186,84 |
| FI 902/2 N4A 75 | E01 | 25.168,44 | 886,76 | 403,34 | 231,34 | 186,84 |
| FI 902/2 N4A 90 | E01 | 27.397,66 | 886,76 | 403,34 | 231,34 | 186,84 |
| FI 901/2 N4A 90 | E01 | 27.397,66 | 886,76 | 403,34 | 231,34 | 186,84 |
| FI 901/2 N4A 110 | E01 | 27.120,37 | 886,76 | 403,34 | 231,34 | 186,84 |
| FI 1002/2 N4A 132 | E01 | 32.000,20 | 1.106,23 | 691,03 | 231,34 | 213,55 |
| FI 1002/2 N4A 160 | E01 | 37.097,50 | 1.106,23 | 691,03 | 231,34 | 213,55 |
| FI 1001/2 N4A 160 | E01 | 37.097,50 | 1.106,23 | 691,03 | 231,34 | 213,55 |
| FI 1001/2 N4A 200 | E01 | - | 1.106,23 | 691,03 | 231,34 | 213,55 |

¹ Ejecución B: rodete de refrigeración para alta temperatura

² Ejecución C: aro de aspiración antichispas (sin certificado ATEX)



Versiones ATEX

| Modelo | Grupo producto | Precio ATEX II 3G/ ⁽¹⁾ €/u. | Precio ATEX II 3D/ ⁽²⁾ €/u. | Precio ATEX Cat. 3G Zona 2 II 3G Ex Na IIC T4 Gc €/u. | Precio ATEX Cat.3D Zona 22 II 3D Ex tc IIIC T125°C Dc €/u. | Precio ATEX Cat. 2G Zona 1 II 2G IIB T4 €/u. |
|-------------------|----------------|--|--|---|--|--|
| 2 POLOS | | | | | | |
| FI 401/2 N4A 2,2 | E01 | 3.706,64 | 3.229,25 | 3.787,44 | 3.515,66 | 4.925,86 |
| FI 451/2 N4A 4 | E01 | 4.071,42 | 3.598,92 | 4.225,66 | 3.958,79 | 5.988,39 |
| FI 502/2 N4A 4 | E01 | 4.372,56 | 3.878,03 | 4.526,79 | 4.237,89 | 6.289,52 |
| FI 502/2 N4A 5,5 | E01 | 4.622,28 | 4.127,74 | 4.989,51 | 4.605,14 | 7.055,82 |
| FI 501/2 N4A 5,5 | E01 | 4.622,28 | 4.127,74 | 4.989,51 | 4.605,14 | 7.055,82 |
| FI 501/2 N4A 7,5 | E01 | 4.884,25 | 4.389,69 | 5.160,90 | 4.930,76 | 8.483,14 |
| FI 562/2 N4A 7,5 | E01 | 5.182,93 | 4.681,03 | 5.459,57 | 5.222,08 | 8.781,84 |
| FI 562/2 N4A 11 | E01 | 6.025,10 | 5.523,22 | 6.517,22 | 6.617,59 | 9.291,06 |
| FI 561/2 N4A 11 | E01 | 6.025,10 | 5.523,22 | 6.517,22 | 6.617,59 | 9.291,06 |
| FI 561/2 N4A 11 | E01 | 6.025,10 | 5.523,22 | 6.517,22 | 6.617,59 | 9.291,06 |
| FI 632/2 N4A 15 | E01 | 7.606,68 | 6.989,71 | 8.022,86 | 8.475,81 | 11.631,57 |
| FI 631/2 N4A 15 | E01 | 7.606,68 | 6.989,71 | 8.022,86 | 8.475,81 | 11.631,57 |
| FI 631/2 N4A 18,5 | E01 | 8.150,20 | 7.533,23 | 8.316,66 | 9.205,35 | 12.706,35 |
| FI 712/2 N4A 22 | E01 | 9.719,49 | 9.029,09 | 9.952,09 | 10.713,49 | 16.146,12 |
| FI 712/2 N4A 30 | E01 | 10.591,06 | 9.900,66 | 11.247,20 | 11.991,46 | 19.228,46 |
| FI 711/2 N4A 30 | E01 | 10.591,06 | 9.900,66 | 11.247,20 | 11.991,46 | 19.228,46 |
| FI 711/2 N4A 37 | E01 | 11.886,20 | 11.195,80 | 11.829,87 | 13.883,95 | 21.497,95 |
| FI 802/2 N4A 45 | E01 | 14.936,70 | 14.197,33 | 14.415,21 | 17.216,01 | 27.114,22 |
| FI 802/2 N4A 55 | E01 | 16.319,93 | 15.580,58 | 15.908,63 | 19.262,74 | 31.562,66 |
| FI 801/2 N4A 55 | E01 | 16.319,93 | 15.580,58 | 15.908,63 | 19.262,74 | 31.562,66 |
| FI 801/2 N4A 75 | E01 | 22.134,52 | 21.395,15 | 17.906,41 | 28.984,66 | 38.870,66 |
| FI 902/2 N4A 75 | E01 | 25.072,39 | 24.247,33 | 20.844,29 | 31.836,87 | 41.808,53 |
| FI 902/2 N4A 90 | E01 | 27.079,93 | 26.254,88 | 22.112,46 | 35.665,89 | 47.769,97 |
| FI 901/2 N4A 90 | E01 | 27.079,93 | 26.254,88 | 22.112,46 | 35.665,89 | 47.769,97 |
| FI 901/2 N4A 110 | E01 | 26.830,22 | 26.005,17 | 31.361,90 | 40.731,30 | 54.262,69 |
| FI 1002/2 N4A 132 | E01 | 32.353,44 | 31.107,29 | 35.864,21 | 48.438,35 | 72.844,82 |
| FI 1002/2 N4A 160 | E01 | 36.943,89 | 35.697,72 | - | - | 81.829,82 |
| FI 1001/2 N4A 160 | E01 | 36.943,89 | 35.697,72 | - | - | 81.829,82 |
| FI 1001/2 N4A 200 | E01 | 36.943,89 | 35.697,72 | - | - | 87.521,98 |

¹ Interno ATEX 3G, exterior no clasificado.

² Interno ATEX 3D, exterior no clasificado.

Serie FA-R



Ventilador centrífugo de acoplamiento directo y simple aspiración. Fabricados en chapa de acero protegida contra la corrosión mediante tratamiento por cataforesis + pintura poliuretana. Temperaturas del aire a transportar -20°C/+100°C en continuo.

Motores

De 2 polos, de alta eficiencia IE 3*, tensión de alimentación trifásica 230/400V 50Hz hasta tamaño motor 112 y 400/690V 50Hz para motores de mayor dimensión. Protección IP55, Clase F.

* A partir de 0,75 kW el motor puede ser de eficiencia IE 2 controlado por convertidor de frecuencia.

Bajo pedido

- Fabricación en diferentes materiales constructivos.
- Motores de 2 velocidades.
- Versiones de 60 Hz.
- Pintura en diferentes RAL.
- Versión sin pie soporte (Motor-Brida, Sistema 5), hasta tamaño de motor 160.
- Versión para alta temperatura: hasta 220°C (versiones B: con rodete de refrigeración).
- SISTEMA 8: acoplamiento mediante junta elástica.
- Purga de drenaje, distintos tipos de estanqueidad a nivel de voluta y de paso de eje.
- Ventiladores estancos.
- Calorifugado.



Rodete de álabes radiales

Versiones ATEX

Bajo pedido, versiones antiexplosivas según la Directiva ATEX para modelos trifásicos:

Para trabajar a temperaturas de -20°C a +60°C, presión ambiente (absoluta) de 0,8 bar hasta 1,1 bar, según EN 14986.

• Gas:

- ⊗ 2G IIB T2-T3-T4*
- ⊗ 2G IIB+H2 T2-T3-T4*
- ⊗ 3G IIB T2-T3-T4*
- ⊗ 3G IIB+H2 T2-T3-T4*

• Polvo no conductivo:

- ⊗ 2D IIIB T125°C*-T135°C*-T195°C-T295°C
- ⊗ 3D IIIB T125°C*-T135°C*-T195°C-T295°C

• Polvo conductivo (con motor

IP65 IIIC):

- ⊗ 2D IIIC T125°C*-T135°C*-T195°C-T295°C
- ⊗ 3D IIIC T125°C*-T135°C*-T195°C-T295°C

* Viabilidad técnica solicitada.

Aplicaciones específicas



Versiones

| CUADRO DE APLICACIONES | |
|------------------------|---------------------------|
| Aire a transportar | Cantidad de polvo (mg/m³) |
| Aire polvoriento | <5000 |

Es imprescindible comprobar que las características eléctricas (voltaje, intensidad, frecuencia, etc.) del motor que aparecen en la placa del mismo son compatibles con las de la instalación.

| Modelo | Tamaño motor | Velocidad (r.p.m.) | Potencia motor (kW) | Intensidad motor 400V (A) | Caudal máximo (m³/h) | Nivel presión sonora a 1 m (dB(A)) ⁽¹⁾ | Peso (kg) ⁽²⁾ | Momento de inercia (kg·m²) ⁽³⁾ |
|--------------|--------------|--------------------|---------------------|---------------------------|----------------------|---|--------------------------|---|
| 2 POLOS | | | | | | | | |
| FA 311/2 R4A | 63B2 | 2780 | 0,25 | 0,68 | 230 | 65 | 22 | 0,04 |
| FA 351/2 R4A | 71A2 | 2810 | 0,37 | 0,90 | 260 | 67 | 25 | 0,06 |
| FA 401/2 R4A | 71B2 | 2820 | 0,55 | 1,25 | 280 | 69 | 37 | 0,09 |
| FA 451/2 R4A | 80A2 | 2830 | 0,75 | 1,59 | 320 | 71 | 39 | 0,14 |
| FA 501/2 R4A | 80B2 | 2840 | 1,10 | 2,33 | 340 | 73 | 42 | 0,19 |
| FA 561/2 R4A | 90S2 | 2840 | 1,50 | 3,07 | 400 | 75 | 60 | 0,28 |
| FA 632/2 R4A | 90S2 | 2840 | 1,50 | 3,07 | 320 | 76 | 64 | 0,45 |
| FA 631/2 R4A | 90L2 | 2850 | 2,20 | 4,43 | 460 | 77 | 67 | 0,53 |
| FA 712/2 R4A | 100LA2 | 2900 | 3,00 | 5,77 | 470 | 79 | 94 | 0,68 |
| FA 711/2 R4A | 112M2 | 2910 | 4,00 | 7,50 | 640 | 80 | 101 | 0,88 |
| FA 802/2 R4A | 112M2 | 2910 | 4,00 | 7,50 | 540 | 82 | 112 | 1,03 |
| FA 801/2 R4A | 132SA2 | 2890 | 5,50 | 10,10 | 830 | 84 | 126 | 1,35 |
| FA 901/2 R4A | 160MR2 | 2930 | 11,00 | 18,70 | 1.340 | 88 | 211 | 2,73 |

¹ Entubado en la descarga

Tolerancia del nivel de ruido de +3dB/A, medido en el punto de máxima eficiencia

² Con motor incluido y para orientación LG270 ó RD270

³ Momento de inercia del rodete

Versiones ESTÁNDAR

| Modelo | Grupo producto | Precio €/u. | Precio Ejecución B ⁽¹⁾ €/u. | Precio Ejecución C ⁽²⁾ €/u. | Precio Purga drenaje €/u. |
|-------------------|----------------|-------------|--|--|---------------------------|
| 2 POLOS | | | | | |
| FA 311/2 R4A 0,25 | E01 | 1.330,01 | 252,10 | 260,98 | 136,44 |
| FA 351/2 R4A 0,37 | E01 | 1.422,85 | 252,10 | 260,98 | 136,44 |
| FA 401/2 R4A 0,55 | E01 | 1.543,32 | 252,10 | 260,98 | 136,44 |
| FA 451/2 R4A 0,75 | E01 | 1.691,37 | 252,10 | 260,98 | 136,44 |
| FA 501/2 R4A 1,1 | E01 | 1.769,16 | 252,10 | 260,98 | 136,44 |
| FA 561/2 R4A 1,5 | E01 | 1.919,73 | 252,10 | 260,98 | 154,23 |
| FA 632/2 R4A 1,5 | E01 | 2.015,08 | 252,10 | 260,98 | 154,23 |
| FA 631/2 R4A 2,2 | E01 | 2.117,96 | 252,10 | 260,98 | 154,23 |
| FA 712/2 R4A 3 | E01 | 2.454,25 | 332,16 | 260,98 | 154,23 |
| FA 711/2 R4A 4 | E01 | 2.592,26 | 332,16 | 260,98 | 154,23 |
| FA 802/2 R4A 4 | E01 | 2.823,13 | 332,16 | 260,98 | 154,23 |
| FA 801/2 R4A 5,5 | E01 | 3.079,09 | 332,16 | 260,98 | 154,23 |
| FA 901/2 R4A 11 | E01 | 5.417,90 | 332,16 | 260,98 | 154,23 |

¹ Ejecución B: rodete de refrigeración para alta temperatura

² Ejecución C: aro de aspiración antichispas (sin certificado ATEX)



Versiones ATEX

| Modelo | Grupo producto | Precio ATEX II 3G/ ⁽¹⁾ €/u. | Precio ATEX II 3D/ ⁽²⁾ €/u. | Precio ATEX Cat. 3G Zona 2 II 3G Ex Na IIC T4 Gc €/u. | Precio ATEX Cat. 3D Zona 22 II 3D Ex tc IIIC T125°C Dc €/u. | Precio ATEX Cat. 2G Zona 1 II 2G IIB T4 €/u. |
|-------------------|----------------|--|--|---|---|--|
| 2 POLOS | | | | | | |
| FA 311/2 R4A 0,25 | E01 | 2.705,31 | 2.223,00 | - | - | - |
| FA 351/2 R4A 0,37 | E01 | 2.795,90 | 2.313,60 | - | - | - |
| FA 401/2 R4A 0,55 | E01 | 2.913,40 | 2.431,10 | - | - | - |
| FA 451/2 R4A 0,75 | E01 | 3.057,86 | 2.575,55 | 3.143,54 | 2.783,64 | 4.132,64 |
| FA 501/2 R4A 1,1 | E01 | 3.133,75 | 2.651,44 | 3.256,16 | 2.893,82 | 4.237,89 |
| FA 561/2 R4A 1,5 | E01 | 3.280,65 | 2.798,34 | 3.398,15 | 3.033,37 | 4.399,49 |
| FA 632/2 R4A 1,5 | E01 | 3.395,71 | 2.918,31 | 3.513,23 | 3.153,32 | 4.514,55 |
| FA 631/2 R4A 2,2 | E01 | 3.496,08 | 3.018,68 | 3.576,88 | 3.305,13 | 4.715,29 |
| FA 712/2 R4A 3 | E01 | 3.824,15 | 3.346,75 | 4.020,01 | 3.652,77 | 5.364,10 |
| FA 711/2 R4A 4 | E01 | 3.958,79 | 3.481,41 | 4.113,05 | 3.841,28 | 5.875,77 |
| FA 802/2 R4A 4 | E01 | 4.184,03 | 3.706,64 | 4.338,29 | 4.066,51 | 6.101,01 |
| FA 801/2 R4A 5,5 | E01 | 4.433,75 | 3.956,36 | 4.801,00 | 4.433,75 | 6.867,32 |
| FA 901/2 R4A 11 | E01 | 6.715,51 | 6.274,84 | 7.207,63 | 7.369,20 | 9.981,46 |

¹ Interno ATEX 3G, exterior no clasificado.

² Interno ATEX 3D, exterior no clasificado.

Serie KM



Ventilador centrífugo de acoplamiento directo y simple aspiración. Fabricados en chapa de acero protegida contra la corrosión mediante tratamiento por cataforesis + pintura poliuretana. Temperaturas del aire a transportar -20°C/+100°C en continuo.

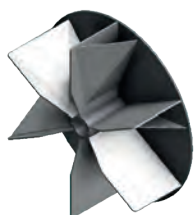
Motores

De 2 ó 4 polos, de alta eficiencia IE 3*, tensión de alimentación trifásica 230/400V 50Hz hasta tamaño motor 112 y 400/690V 50Hz para motores de mayor dimensión. Protección IP55, Clase F.

* A partir de 0,75 kW el motor puede ser de eficiencia IE 2 controlado por convertidor de frecuencia.

Bajo pedido

- Fabricación en diferentes materiales constructivos.
- Motores de 2 velocidades.
- Versiones de 60 Hz.
- Pintura en diferentes RAL.
- Versión sin pie soporte (Motor-Brida, Sistema 5), hasta tamaño de motor 160.
- Versión para alta temperatura: hasta 220°C (versiones B: con rodete de refrigeración).
- SISTEMA 8: acoplamiento mediante junta elástica.
- Trampilla de inspección, purga de drenaje, distintos tipos de estanqueidad a nivel de voluta y de paso de eje.
- Ventiladores estancos.
- Calorifugado.



Rodete de álabes hacia adelante para transporte de material

Versiones ATEX

Bajo pedido, versiones antiexplosivas según la Directiva ATEX para modelos trifásicos: Para trabajar a temperaturas de -20°C a +60°C, presión ambiente (absoluta) de 0,8 bar hasta 1,1 bar, según EN 14986.

- Gas:
 - ⊕ 3G IIB T2-T3
 - ⊕ 3G IIB+H2 T2-T3
- Polvo no conductivo:
 - ⊕ 2D* IIIB T125°C-T135°C-T195°C-T295°C
 - ⊕ 3D IIIB T125°C-T135°C-T195°C-T295°C
- Polvo conductivo (con motor IP65 IIIC):
 - ⊕ 2D* IIIC T125°C-T135°C-T195°C-T295°C
 - ⊕ 3D IIIC T125°C-T135°C-T195°C-T295°C

* Solo para aplicaciones de transporte de pelusas.

Aplicaciones específicas



Versiones

| CUADRO DE APLICACIONES | |
|------------------------------------|---------------------------|
| Aire a transportar | Cantidad de polvo (mg/m³) |
| Transporte neumático y de material | <50000 |

Es imprescindible comprobar que las características eléctricas (voltaje, intensidad, frecuencia, etc.) del motor que aparecen en la placa del mismo son compatibles con las de la instalación.

| Modelo | Tamaño motor | Velocidad (r.p.m.) | Potencia motor (kW) | Intensidad motor 400V (A) | Caudal máximo (m ³ /h) | Nivel presión sonora a 1 m (dB(A)) ⁽¹⁾ | Peso (kg) ⁽²⁾ | Momento de inercia (kg·m ²) ⁽³⁾ |
|---------------|--------------|--------------------|---------------------|---------------------------|-----------------------------------|---|--------------------------|--|
| 2 POLOS | | | | | | | | |
| KM 221/2 R4A | 71A2 | 2810 | 0,37 | 0,90 | 1.080 | 68 | 18 | 0,01 |
| KM 252/2 R4A | 71B2 | 2820 | 0,55 | 1,25 | 1.080 | 70 | 25 | 0,02 |
| KM 251/2 R4A | 80A2 | 2830 | 0,75 | 1,59 | 1.470 | 71 | 28 | 0,02 |
| KM 282/2 R4A | 80B2 | 2840 | 1,10 | 2,33 | 1.510 | 73 | 32 | 0,03 |
| KM 281/2 R4A | 90S2 | 2840 | 1,50 | 3,07 | 2.070 | 74 | 36 | 0,04 |
| KM 312/2 R4A | 90S2 | 2840 | 1,50 | 3,07 | 2.160 | 77 | 42 | 0,05 |
| KM 311/2 R4A | 90L2 | 2850 | 2,20 | 4,43 | 2.930 | 78 | 45 | 0,06 |
| KM 352/2 R4A | 100LA2 | 2900 | 3,00 | 5,77 | 3.060 | 80 | 74 | 0,09 |
| KM 351/2 R4A | 112M2 | 2920 | 4,00 | 7,50 | 4.320 | 81 | 79 | 0,11 |
| KM 402/2 R4A | 132SA2 | 2890 | 5,50 | 10,10 | 4.250 | 84 | 107 | 0,16 |
| KM 401/2 R4A | 132SB2 | 2890 | 7,50 | 13,90 | 7.270 | 85 | 113 | 0,20 |
| KM 451/2 R4A | 160MR2 | 2930 | 15,00 | 25,40 | 11.040 | 88 | 195 | 0,38 |
| 4 POLOS | | | | | | | | |
| KM 452/4 R4A | 90S4 | 1390 | 1,10 | 2,30 | 2.930 | 68 | 98 | 0,35 |
| KM 451/4 R4A | 90L4 | 1420 | 1,50 | 3,15 | 5.350 | 69 | 105 | 0,35 |
| KM 502/4 R4A | 100LA4 | 1420 | 2,20 | 4,56 | 4.250 | 72 | 124 | 0,55 |
| KM 501/4 R4A | 100LB4 | 1430 | 3,00 | 6,15 | 6.900 | 73 | 132 | 0,65 |
| KM 562/4 R4A | 112M4 | 1425 | 4,00 | 8,20 | 6.120 | 75 | 145 | 0,88 |
| KM 561/4 R4A | 132SA4 | 1440 | 5,50 | 10,30 | 9.840 | 76 | 170 | 1,08 |
| KM 632/4 R4A | 132MA4 | 1450 | 7,50 | 13,90 | 8.500 | 79 | 197 | 1,45 |
| KM 631/4 R4A | 160M4 | 1450 | 11,00 | 20,70 | 14.090 | 80 | 270 | 1,78 |
| KM 712/4 R4A | 160M4 | 1450 | 11,00 | 20,70 | 12.060 | 83 | 335 | 2,58 |
| KM 711/4 R4A | 160L4 | 1450 | 15,00 | 28,40 | 20.230 | 84 | 365 | 3,13 |
| KM 802/4 R4A | 180M4 | 1460 | 18,50 | 34,90 | 17.100 | 86 | 440 | 4,60 |
| KM 801/4 R4A | 200L4 | 1470 | 30,00 | 54,60 | 29.440 | 88 | 505 | 5,60 |
| KM 902/4 R4A | 225S4 | 1475 | 37,00 | 65,60 | 24.120 | 91 | 595 | 8,10 |
| KM 901/4 R4A | 225M4 | 1475 | 45,00 | 79,40 | 43.450 | 92 | 635 | 10,00 |
| KM 1002/4 R4A | 250M4 | 1475 | 55,00 | 96,90 | 34.200 | 95 | 800 | 14,00 |
| KM 1001/4 R4A | 280R4 | 1475 | 75,00 | 130,00 | 60.300 | 96 | 915 | 16,80 |

¹ Entubado en la descarga

Tolerancia del nivel de ruido de +3dB/A, medido en el punto de máxima eficiencia

² Con motor incluido y para orientación LG270 ó RD270

³ Momento de inercia del rodete

Versiones ESTÁNDAR

| Modelo | Grupo producto | Precio €/u. | Precio Ejecución B ⁽¹⁾ €/u. | Precio Ejecución C ⁽²⁾ €/u. | Precio Puerta inspección €/u. | Precio Purga drenaje €/u. |
|-------------------|----------------|-------------|--|--|-------------------------------|---------------------------|
| 2 POLOS | | | | | | |
| KM 221/2 R4A 0,37 | E01 | 823,35 | 192,78 | 260,98 | - | 136,44 |
| KM 252/2 R4A 0,55 | E01 | 882,89 | 252,10 | 260,98 | 145,33 | 136,44 |
| KM 251/2 R4A 0,75 | E01 | 916,54 | 252,10 | 260,98 | 145,33 | 136,44 |
| KM 282/2 R4A 1,1 | E01 | 968,33 | 252,10 | 260,98 | 198,71 | 154,23 |
| KM 281/2 R4A 1,5 | E01 | 1.077,06 | 252,10 | 260,98 | 198,71 | 154,23 |
| KM 312/2 R4A 1,5 | E01 | 1.175,45 | 252,10 | 260,98 | 198,71 | 154,23 |
| KM 311/2 R4A 2,2 | E01 | 1.281,60 | 252,10 | 260,98 | 198,71 | 154,23 |
| KM 352/2 R4A 3 | E01 | 1.589,73 | 332,16 | 260,98 | 198,71 | 154,23 |
| KM 351/2 R4A 4 | E01 | 1.732,11 | 332,16 | 260,98 | 198,71 | 154,23 |
| KM 402/2 R4A 5,5 | E01 | 2.190,37 | 332,16 | 260,98 | 198,71 | 154,23 |
| KM 401/2 R4A 7,5 | E01 | 2.467,41 | 332,16 | 260,98 | 198,71 | 154,23 |
| KM 451/2 R4A 15 | E01 | 4.321,22 | 332,16 | 260,98 | 198,71 | 154,23 |
| 4 POLOS | | | | | | |
| KM 452/4 R4A 1,1 | E01 | 1.914,71 | 332,16 | 260,98 | 198,71 | 154,23 |
| KM 451/4 R4A 1,5 | E01 | 2.037,62 | 332,16 | 260,98 | 198,71 | 154,23 |
| KM 502/4 R4A 2,2 | E01 | 2.446,71 | 441,89 | 403,34 | 231,34 | 186,84 |
| KM 501/4 R4A 3 | E01 | 2.474,31 | 441,89 | 403,34 | 231,34 | 186,84 |
| KM 562/4 R4A 4 | E01 | 3.279,85 | 441,89 | 403,34 | 231,34 | 186,84 |
| KM 561/4 R4A 5,5 | E01 | 3.493,14 | 441,89 | 403,34 | 231,34 | 186,84 |
| KM 632/4 R4A 7,5 | E01 | 4.626,74 | 441,89 | 403,34 | 231,34 | 186,84 |
| KM 631/4 R4A 11 | E01 | 5.636,48 | 441,89 | 403,34 | 231,34 | 186,84 |
| KM 712/4 R4A 11 | E01 | 6.527,15 | 691,03 | 403,34 | serie | 186,84 |
| KM 711/4 R4A 15 | E01 | 6.954,34 | 691,03 | 403,34 | serie | 186,84 |
| KM 802/4 R4A 18,5 | E01 | 8.254,07 | 691,03 | 688,06 | serie | 213,55 |
| KM 801/4 R4A 30 | E01 | 9.719,50 | 691,03 | 688,06 | serie | 213,55 |
| KM 902/4 R4A 37 | E01 | 12.795,36 | 691,03 | 688,06 | serie | 213,55 |
| KM 901/4 R4A 45 | E01 | 13.774,04 | 691,03 | 688,06 | serie | 213,55 |
| KM 1002/4 R4A 55 | E01 | 16.005,85 | 886,76 | 688,06 | serie | 213,55 |
| KM 1001/4 R4A 75 | E01 | 22.028,12 | 886,76 | 688,06 | serie | 213,55 |

¹ Ejecución B: rodete de refrigeración para alta temperatura

² Ejecución C: aro de aspiración antichispas (sin certificado ATEX)



Versiones ATEX

| Modelo | Grupo producto | Precio ATEX II 3D/ ^{1,2} €/u. | Precio ATEX Cat.3D Zona 22 II 3D Ex tc IIIC T125°C Dc €/u. |
|-------------------|----------------|--|--|
| 2 POLOS | | | |
| KM 221/2 R4A 0,37 | E01 | 1.730,91 | - |
| KM 252/2 R4A 0,55 | E01 | 1.787,23 | - |
| KM 251/2 R4A 0,75 | E01 | 1.819,04 | 2.027,14 |
| KM 282/2 R4A 1,1 | E01 | 1.892,50 | 2.134,86 |
| KM 281/2 R4A 1,5 | E01 | 1.995,31 | 2.230,35 |
| KM 312/2 R4A 1,5 | E01 | 2.088,36 | 2.323,38 |
| KM 311/2 R4A 2,2 | E01 | 2.188,74 | 2.475,17 |
| KM 352/2 R4A 3 | E01 | 2.492,31 | 2.798,34 |
| KM 351/2 R4A 4 | E01 | 2.626,97 | 2.986,86 |
| KM 402/2 R4A 5,5 | E01 | 3.099,49 | 3.576,88 |
| KM 401/2 R4A 7,5 | E01 | 3.361,44 | 3.902,50 |
| KM 451/2 R4A 15 | E01 | 5.114,39 | 6.600,44 |
| 4 POLOS | | | |
| KM 452/4 R4A 1,1 | E01 | 2.896,27 | 3.160,68 |
| KM 451/4 R4A 1,5 | E01 | 2.955,02 | 3.256,16 |
| KM 502/4 R4A 2,2 | E01 | 3.574,43 | 3.917,17 |
| KM 501/4 R4A 3 | E01 | 3.674,81 | 4.061,63 |
| KM 562/4 R4A 4 | E01 | 4.460,70 | 4.857,31 |
| KM 561/4 R4A 5,5 | E01 | 4.668,79 | 5.212,30 |
| KM 632/4 R4A 7,5 | E01 | 6.781,62 | 7.464,69 |
| KM 631/4 R4A 11 | E01 | 7.736,44 | 8.840,60 |
| KM 712/4 R4A 11 | E01 | 8.578,62 | 9.682,79 |
| KM 711/4 R4A 15 | E01 | 8.982,58 | 10.512,73 |
| KM 802/4 R4A 18,5 | E01 | 10.211,60 | 11.587,51 |
| KM 801/4 R4A 30 | E01 | 11.597,32 | 13.827,64 |
| KM 902/4 R4A 37 | E01 | 14.505,79 | 16.856,11 |
| KM 901/4 R4A 45 | E01 | 15.431,24 | 18.533,15 |
| KM 1002/4 R4A 55 | E01 | 17.541,61 | 21.133,18 |
| KM 1001/4 R4A 75 | E01 | 23.236,20 | 31.511,24 |

¹ Interno ATEX 3G, exterior no clasificado.

² Interno ATEX 3D, exterior no clasificado.

Serie CFMT-N



Ventilador centrífugo de simple aspiración con rodete de álabes hacia adelante.
Cajón aislado fabricado en chapa galvanizada y calorifugado con fibra mineral de alta densidad y alto poder de aislamiento térmico.
Orientación estándar: LG.
Temperatura máxima del aire a transportar: 250°C.
Aplicación: recirculación de aire caliente en estufas y hornos industriales.

Motores

Clase IE3.
Trifásicos de 4 polos, IP-55, Clase F,
400/690V 50Hz (excepto el modelo de 3 kW cuyo voltaje será 230/400V 50Hz).

Bajo demanda

Ventiladores RD.
Tensiones especiales.
Ventiladores para 60Hz.
Fabricación en acero inoxidable AISI-304 / AISI-316 (excepto el rodete que sólo se puede fabricar en AISI-304).
La voluta y la boca de aspiración se suministran como accesorios.

Aplicaciones específicas

Continuo

Es imprescindible comprobar que las características eléctricas (voltaje, intensidad, frecuencia, etc) del motor que aparecen en la placa del mismo son compatibles con las de la instalación.

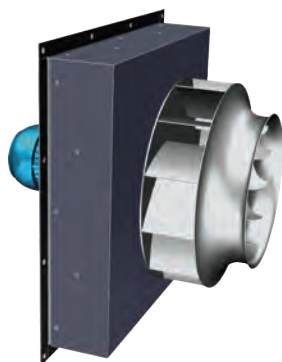
| Código | Modelo | Velocidad (r.p.m.) | Potencia motor (kW) | Intensidad abs. max. (A) | | Temperatura máxima del aire (°C) | Peso (kg) | Grupo producto | Precio €/u. |
|------------|----------------------|--------------------|---------------------|--------------------------|-------|----------------------------------|-----------|----------------|-------------|
| | | | | 230 V | 400 V | | | | |
| 5143924600 | CFMT/4-355/145-3 N | 1400 | 3 | 12,6 | 7,3 | 250 | 55 | E01 | 2.175,49 |
| 5143924700 | CFMT/4-355/145-4 N | 1400 | 4 | - | 9,3 | 250 | 60 | E01 | 2.219,63 |
| 5143924800 | CFMT/4-355/145-5,5 N | 1400 | 5,5 | - | 12,0 | 250 | 70 | E01 | 2.475,40 |
| 5143924900 | CFMT/4-355/145-7,5 N | 1400 | 7,5 | - | 15,5 | 250 | 80 | E01 | 2.733,58 |
| 5143925100 | CFMT/4-400/165-4 N | 1400 | 4 | - | 9,3 | 250 | 65 | E01 | 3.034,37 |
| 5143925200 | CFMT/4-400/165-5,5 N | 1400 | 5,5 | - | 12,0 | 250 | 85 | E01 | 2.666,34 |
| 5143925300 | CFMT/4-400/165-7,5 N | 1400 | 7,5 | - | 15,5 | 250 | 95 | E01 | 2.924,54 |
| 5143925500 | CFMT/4-450/185-5,5 N | 1400 | 5,5 | - | 12,0 | 250 | 100 | E01 | 2.726,91 |
| 5143925600 | CFMT/4-450/185-7,5 N | 1400 | 7,5 | - | 15,5 | 250 | 110 | E01 | 2.985,12 |
| 5143925700 | CFMT/4-500/205-7,5 N | 1400 | 7,5 | - | 15,5 | 250 | 115 | E01 | 3.607,66 |
| 5143926000 | CFMT/4-500/205-11 N | 1400 | 11 | - | 22,5 | 250 | 135 | E01 | 3.997,26 |
| 5143926100 | CFMT/4-500/205-15 N | 1400 | 15 | - | 31,0 | 250 | 150 | E01 | 4.300,02 |

ACCESORIOS DE MONTAJE ESPECÍFICOS



| Código | Modelo | Grupo producto | Precio €/u. |
|--------------------------|--------------------------|----------------|-------------|
| Volutas CFMT | | | |
| 5130891400 | VOLUTA CFMT-355 LG | E01 | 587,08 |
| 5130895500 | VOLUTA CFMT-355 RD | E01 | 587,07 |
| 5130892200 | VOLUTA CFMT-400 LG | E01 | 639,03 |
| 5130896300 | VOLUTA CFMT-400 RD | E01 | 639,04 |
| 5130893000 | VOLUTA CFMT-450 LG | E01 | 681,06 |
| 5130897100 | VOLUTA CFMT-450 RD | E01 | 681,06 |
| 5130894800 | VOLUTA CFMT-500 LG | E01 | 716,30 |
| 5130898900 | VOLUTA CFMT-500 RD | E01 | 716,30 |
| Bocas de aspiración CFMT | | | |
| 5130899000 | BOCA ASPIRACION CFMT-355 | E01 | 96,44 |
| 5130899100 | BOCA ASPIRACION CFMT-400 | E01 | 97,17 |
| 5130899200 | BOCA ASPIRACION CFMT-450 | E01 | 103,64 |
| 5130899300 | BOCA ASPIRACION CFMT-500 | E01 | 119,70 |

Serie CFST



Ventilador centrífugo de acoplamiento directo para la recirculación de gases calientes. Cajón aislado fabricado en chapa de acero, con lana de roca de alta densidad y pintado con pintura anticorrosiva. Rodete de álabes curvados hacia atrás de alto rendimiento de la gama CRRT.

Motores

Clase IE3.
Motores trifásicos 230/400V-50Hz y 400/690V-50Hz IP55, Clase F.
Apto para trasegar gases hasta 250°C en continuo.

Otros datos

Bajo demanda:
Fabricación en acero inoxidable.
Otros espesores para el cajón aislado.
Trabajo a 60Hz.
Diferentes voltajes.
La voluta y la embocadura se suministran como accesorios (ver apartado accesorios).
Otras motorizaciones de acuerdo con el caudal y la presión solicitados por el cliente.

Aplicaciones específicas

Continuo

Es imprescindible comprobar que las características eléctricas (voltaje, intensidad, frecuencia, etc) del motor que aparecen en la placa del mismo son compatibles con las de la instalación.

| Código | Modelo | Velocidad (r.p.m.) | Potencia motor (kW) | Intensidad motor 400V (A) | Caudal máximo (m³/h) | Nivel de presión sonora a 1,5 m (dB(A)) | Grupo producto | Precio €/u. |
|------------|-----------------|--------------------|---------------------|---------------------------|----------------------|---|----------------|-------------|
| 4 POLOS | | | | | | | | |
| 5143928300 | CFST/4-452 1,1 | 1440 | 1,1 | 2,37 | 7.182 | 64 | E01 | 3.014,56 |
| 5143928100 | CFST/4-451 1,1 | 1440 | 1,1 | 2,37 | 5.585 | 65 | E01 | 3.018,68 |
| 5143928200 | CFST/4-451 1,5 | 1440 | 1,5 | 3,30 | 8.045 | 65 | E01 | 3.251,16 |
| 5143927900 | CFST/4-502 1,5 | 1440 | 1,5 | 3,30 | 6.629 | 67 | E01 | 3.292,23 |
| 5143927700 | CFST/4-501 2,2 | 1420 | 2,2 | 4,43 | 11.078 | 68 | E01 | 3.111,14 |
| 5143929100 | CFST/4-562 2,2 | 1420 | 2,2 | 4,43 | 7.435 | 69 | E01 | 3.145,19 |
| 5143928900 | CFST/4-561 3 | 1425 | 3 | 5,96 | 9.596 | 71 | E01 | 3.533,47 |
| 5143928700 | CFST/4-632 4 | 1440 | 4 | 7,85 | 10.718 | 73 | E01 | 3.671,28 |
| 5143946100 | CFST/4-631 5,5 | 1460 | 5,5 | 10,40 | 14.803 | 75 | E01 | 3.970,79 |
| 5143929600 | CFST/4-712 7,5 | 1460 | 7,5 | 13,90 | 26.500 | 77 | E01 | 4.559,38 |
| 5143929300 | CFST/4-711 11 | 1465 | 11 | 21,20 | 18.500 | 79 | E01 | 5.589,93 |
| 5143944200 | CFST/4-802 15 | 1460 | 15 | 28,70 | 33.335 | 81 | E01 | 5.966,77 |
| 5143944300 | CFST/4-802 18,5 | 1460 | 18,5 | 35,10 | 39.244 | 81 | E01 | 6.934,80 |
| 5143944400 | CFST/4-801 18,5 | 1460 | 18,5 | 35,10 | 28.235 | 83 | E01 | 6.964,49 |
| 5143944500 | CFST/4-801 22 | 1460 | 22 | 40,50 | 47.673 | 83 | E01 | 7.698,88 |
| 6 POLOS | | | | | | | | |
| 5143928000 | CFST/6-502 0,55 | 910 | 0,55 | 1,57 | 6.379 | 57 | E01 | 3.018,33 |
| 5143927800 | CFST/6-501 0,75 | 910 | 0,75 | 1,94 | 7.122 | 58 | E01 | 3.050,66 |
| 5143929200 | CFST/6-562 0,75 | 910 | 0,75 | 1,94 | 8.233 | 60 | E01 | 3.139,43 |
| 5143929000 | CFST/6-561 1,1 | 910 | 1,1 | 2,88 | 9.819 | 61 | E01 | 3.270,54 |
| 5143928800 | CFST/6-632 1,5 | 940 | 1,5 | 3,80 | 12.343 | 64 | E01 | 3.359,76 |
| 5143928500 | CFST/6-631 1,5 | 940 | 1,5 | 3,80 | 8.021 | 66 | E01 | 3.371,00 |
| 5143928600 | CFST/6-631 2,2 | 945 | 2,2 | 5,26 | 14.134 | 66 | E01 | 3.489,18 |
| 5143929700 | CFST/6-712 2,2 | 945 | 2,2 | 5,26 | 11.891 | 68 | E01 | 3.861,90 |
| 5143929800 | CFST/6-712 3 | 955 | 3 | 6,76 | 17.371 | 68 | E01 | 4.182,00 |
| 5143929400 | CFST/6-711 3 | 955 | 3 | 6,76 | 14.991 | 70 | E01 | 4.197,00 |
| 5143929500 | CFST/6-711 4 | 955 | 4 | 8,71 | 20.452 | 70 | E01 | 4.353,33 |
| 5143944600 | CFST/6-802 4 | 955 | 4 | 8,71 | 15.907 | 72 | E01 | 5.114,25 |
| 5143944700 | CFST/6-802 5,5 | 960 | 5,5 | 12,40 | 25.353 | 72 | E01 | 5.394,00 |
| 5143944800 | CFST/6-801 5,5 | 960 | 5,5 | 12,40 | 19.659 | 74 | E01 | 5.423,69 |
| 5143944900 | CFST/6-801 7,5 | 965 | 8 | 15,00 | 31.347 | 74 | E01 | 5.935,40 |

Serie CFHT



Ventilador centrífugo a transmisión por poleas y correas, para la recirculación de gases calientes. Cajón aislado fabricado en chapa de acero, con lana de roca de alta densidad y pintado con pintura anticorrosiva. Rodete de álabes curvados hacia atrás de alto rendimiento de la gama CRRT-TR. Apto para trabajo horizontal o vertical (indicar en el pedido). Engrasadores externos para facilitar el mantenimiento y reengrase de los rodamientos de la transmisión.

Motores

Clase IE3.
Trifásicos de 4 polos, 230/400V-50Hz y 400/690V-50Hz
IP55, Clase F.
Apto para trasegar gases hasta 300°C en continuo.

Otros datos

Bajo demanda:
Fabricación en materiales especiales para trabajo hasta 550°C en continuo.
Fabricación en acero inoxidable.
Otros espesores para el cajón aislado.
Trabajo a 60Hz.
Diferentes voltajes.
La voluta y la embocadura se suministran como accesorios (ver apartado accesorios).
Otras motorizaciones de acuerdo con el caudal y la presión solicitados por el cliente.

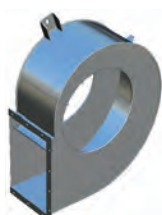
Aplicaciones específicas

Continuo

Es imprescindible comprobar que las características eléctricas (voltaje, intensidad, frecuencia, etc) del motor que aparecen en la placa del mismo son compatibles con las de la instalación.

| Código | Modelo | Velocidad (r.p.m.) | Potencia motor (kW) | Intensidad abs. máx. (A) | | Temperatura máxima del aire (°C) | Peso (kg) | Grupo producto | Precio €/u. |
|------------|---------------|--------------------|---------------------|--------------------------|-------|----------------------------------|-----------|----------------|-------------|
| | | | | 230 V | 400 V | | | | |
| 5143937800 | CFHT-451 2,2 | 1800 | 2,2 | 8,3 | 4,8 | 300 | 139 | E01 | 7.192,15 |
| 5143937900 | CFHT-451 3 | 2000 | 3 | 11,4 | 6,5 | 300 | 142 | E01 | 7.248,37 |
| 5143938200 | CFHT-451 4 | 2100 | 4 | - | 8,6 | 300 | 146 | E01 | 7.356,30 |
| 5143942600 | CFHT-451 5,5 | 2400 | 5,5 | - | 11,1 | 300 | 158 | E01 | 7.500,33 |
| 5143938400 | CFHT-501 3 | 1650 | 3 | 11,4 | 6,5 | 300 | 157 | E01 | 7.256,38 |
| 5143938600 | CFHT-501 4 | 1800 | 4 | - | 8,6 | 300 | 161 | E01 | 7.396,14 |
| 5143938900 | CFHT-501 5,5 | 2000 | 5,5 | - | 11,1 | 300 | 173 | E01 | 7.586,83 |
| 5143942700 | CFHT-501 7,5 | 2300 | 7,5 | - | 14,8 | 300 | 182 | E01 | 7.815,88 |
| 5143939100 | CFHT-561 4 | 1500 | 4 | - | 8,6 | 300 | 211 | E01 | 8.230,40 |
| 5143939500 | CFHT-561 5,5 | 1700 | 5,5 | - | 11,1 | 300 | 223 | E01 | 8.389,59 |
| 5143939600 | CFHT-561 7,5 | 1900 | 7,5 | - | 14,8 | 300 | 231 | E01 | 8.786,79 |
| 5143942800 | CFHT-561 11 | 2100 | 11 | - | 22,6 | 300 | 258 | E01 | 9.612,07 |
| 5143942900 | CFHT-631 7,5 | 1500 | 7,5 | - | 14,8 | 300 | 243 | E01 | 8.732,66 |
| 5143935000 | CFHT-631 11 | 1900 | 11 | - | 22,6 | 300 | 270 | E01 | 9.834,11 |
| 5143943000 | CFHT-631 15 | 2100 | 15 | - | 28,5 | 300 | 300 | E01 | 11.605,30 |
| 5143943100 | CFHT-711 7,5 | 1300 | 7,5 | - | 14,8 | 300 | 263 | E01 | 9.381,32 |
| 5143935400 | CFHT-711 11 | 1500 | 11 | - | 22,6 | 300 | 270 | E01 | 10.879,12 |
| 5143935600 | CFHT-711 15 | 1650 | 15 | - | 28,5 | 300 | 304 | E01 | 11.280,59 |
| 5143943200 | CFHT-711 18,5 | 1750 | 18,5 | - | 35,1 | 300 | 539 | E01 | 12.136,44 |
| 5143943300 | CFHT-801 18,5 | 1400 | 18,5 | - | 35,1 | 300 | 539 | E01 | 14.738,50 |
| 5143943400 | CFHT-801 22 | 1500 | 22 | - | 40,5 | 300 | 561 | E01 | 15.146,28 |
| 5143943500 | CFHT-801 30 | 1650 | 30 | - | 56,2 | 300 | 290 | E01 | 16.699,75 |
| 5143943600 | CFHT-901 22 | 1200 | 22 | - | 40,5 | 300 | 290 | E01 | 15.961,85 |
| 5143943700 | CFHT-901 30 | 1350 | 30 | - | 56,2 | 300 | 762 | E01 | 16.991,01 |
| 5143943800 | CFHT-901 37 | 1500 | 37 | - | 66,6 | 300 | 524 | E01 | 18.447,38 |
| 5143943900 | CFHT-1001 37 | 1100 | 37 | - | 66,6 | 300 | 1.017 | E01 | 20.146,49 |
| 5143944000 | CFHT-1001 45 | 1250 | 45 | - | 84,8 | 300 | 1.038 | E01 | 21.360,12 |
| 5143944100 | CFHT-1001 55 | 1350 | 55 | - | 97,1 | 300 | 1.119 | E01 | 24.758,34 |

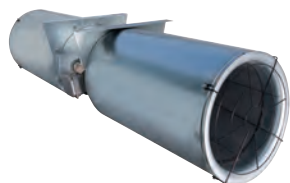
ACCESORIOS DE MONTAJE CFST-CFHT



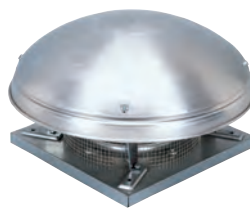
| Código | Modelo | Grupo producto | Precio €/u. |
|-------------------------------|-----------------------------------|----------------|-------------|
| Volutas CFST-CFHT | | | |
| 5400030200 | CONJUNTO VOLUTA CFHT-CFST-451 LG | E01 | 661,15 |
| 5400027900 | CONJUNTO VOLUTA CFHT-CFST-451 RD | E01 | 674,38 |
| 5400037700 | CONJUNTO VOLUTA CFHT-CFST-501 LG | E01 | 700,17 |
| 5400028000 | CONJUNTO VOLUTA CFHT-CFST-501 RD | E01 | 700,17 |
| 5400041700 | CONJUNTO VOLUTA CFHT-CFST-561 LG | E01 | 967,58 |
| 5400012600 | CONJUNTO VOLUTA CFHT-CFST-561 RD | E01 | 986,95 |
| 5400033500 | CONJUNTO VOLUTA CFHT-CFST-631 LG | E01 | 1.293,30 |
| 5400007100 | CONJUNTO VOLUTA CFHT-CFST-631 RD | E01 | 1.293,30 |
| 5400006500 | CONJUNTO VOLUTA CFHT-CFST-711 LG | E01 | 1.491,00 |
| 5400006600 | CONJUNTO VOLUTA CFHT-CFST-711 RD | E01 | 1.520,79 |
| 5400012300 | CONJUNTO VOLUTA CFHT-CFST-801 LG | E01 | 2.414,33 |
| 5400040100 | CONJUNTO VOLUTA CFHT-CFST-801 RD | E01 | 2.434,59 |
| 5400011900 | CONJUNTO VOLUTA CFHT-CFST-901 LG | E01 | 3.017,87 |
| 5400044600 | CONJUNTO VOLUTA CFHT-CFST-901 RD | E01 | 2.958,69 |
| 5400028100 | CONJUNTO VOLUTA CFHT-CFST-1001 LG | E01 | 3.896,00 |
| 5400044700 | CONJUNTO VOLUTA CFHT-CFST-1001 RD | E01 | 3.819,62 |
| Bocas de aspiración CFST-CFHT | | | |
| 5400030300 | BOCA ASPIRACION CFHT-CFST-451 | E01 | 186,17 |
| 5400031200 | BOCA ASPIRACION CFHT-CFST-501 | E01 | 196,17 |
| 5400012700 | BOCA ASPIRACION CFHT-CFST-561 | E01 | 205,43 |
| 5400007000 | BOCA ASPIRACION CFHT-CFST-631 | E01 | 238,36 |
| 5400033400 | BOCA ASPIRACION CFHT-CFST-711 | E01 | 310,24 |
| 5400012400 | BOCA ASPIRACION CFHT-CFST-801 | E01 | 419,68 |
| 5400012000 | BOCA ASPIRACION CFHT-CFST-901 | E01 | 513,70 |
| 5400038000 | BOCA ASPIRACION CFHT-CFST-1001 | E01 | 666,04 |



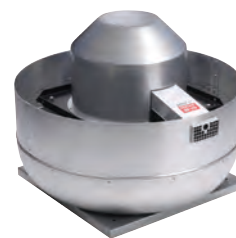
174 THGT



192 TJHT-TJHU



194 MAX-TEMP
CTHB-N/CTHT-N



194 MAX-TEMP
CTVB-N/CTVT-N



197 CTVT HP



198 THGT-HATCH



201 HGHT-V



203 CHGT



212 CHAT-N



213 CHVB/CHVT



214 KCTR



218 CHMTC

Todos los motores incorporados en nuestros productos cumplen con el Reglamento CE nº 640/2009.

Series **Desenfumage** capacitadas para trabajar **inmersas** en ambientes a la temperatura indicada.

Series **Desenfumage** capacitadas para **trasegar** aire a la temperatura indicada.

Series capacitadas para trabajar **en continuo** a la temperatura máxima indicada.

Series que cumplen con la **Directiva ErP**.

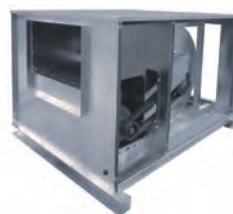
Series energéticamente eficientes.



219 CRMTC



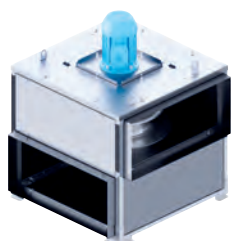
220 CVHT



222 CVHN



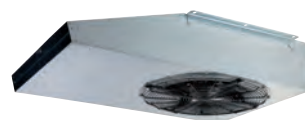
223 CVST



225 ILHT



226 ILHB-ILHT ECOWATT



230 IFHT



231 CHMT



232 CRMT



233 CXRT-N F400



234 BSP

Todos los motores incorporados en nuestros productos cumplen con el Reglamento CE nº 640/2009.



Series **Desenfumage** capacitadas para trabajar **inmersas** en ambientes a la temperatura indicada.



Series **Desenfumage** capacitadas para **trasegar** aire a la temperatura indicada.



Series capacitadas para trabajar **en continuo** a la temperatura máxima indicada.



Series que cumplen con la **Directiva ErP**.



Series energéticamente eficientes.

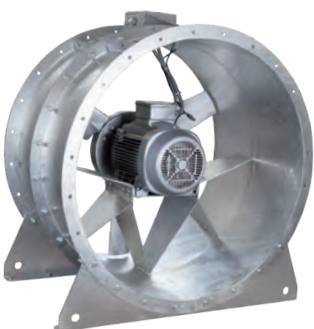
Serie THGT



Configuración de camisa corta (Versión C)



Configuración de camisa larga (Versión LK)



Configuración de camisa larga Ø 1400 y 1600 (Versión LK)



Soler&Palau Sistemas de Ventilación SLU certifica que este modelo tiene licencia para llevar el sello AMCA Seal for Air Performance. Versión de revisión EasyVent v11, Mayo 2020. Puede consultarse en www.amca.org/certify

Aplicaciones específicas



Homologados según norma EN12101-3. Certificación nº 0370-CPD-0348



Homologados según norma EN12101-3. Certificación nº 0370-CPD-0742



Parkings

Ventiladores helicoidales tubulares, capacitados para trabajar inmersos a 400°C/2h ó 300°C/2h, fabricados con carcasa con protección anticorrosiva mediante galvanizado en caliente, álabes de aluminio tipo "aerofoil", con diferentes inclinaciones y semicubo de aluminio o de chapa de acero.

Motor trifásico, IP55, Clase H, para funcionar en uso continuo (S1) o emergencia (S2).

Pueden ser instalados en flujo vertical u horizontal.

Camisa corta o larga, según necesidades de aplicación.

Versiones en camisa corta:

- (C) Estándar
- (CK) Incluye caja de bornes exterior para facilidad de conexión.

Versiones en camisa larga:

- (LK) Incluye caja de bornes exterior y mirilla para comprobar la rotación de la hélice.
- (LP) Incluye puerta de inspección para facilitar el acceso al motor.
- (LPK) Incluye caja de bornes exterior y puerta de inspección.

Motores

De 2, 4 ó 6 polos, según versiones.

De 2 velocidades (2/4, 4/8, 4/6 ó 6/12 polos) bajo demanda.

Tensión de alimentación

Trifásicos

230/400V-50Hz, hasta 3 kW

400V-50Hz, para potencias superiores

(Ver cuadro de características)

(Versiones para 60Hz disponibles en EasyVent).

Motores regulables por variación de frecuencia.

En caso de emergencia el ventilador puede ir alimentado a través del variador, siempre que sea de la serie VFTM, y/o se cumplan los requisitos detallados en UNE EN 12101-3.

Bajo demanda

Camisa en acero inoxidable o acabado pintado.

Motores con sonda PTC o resistencias de caldeo.



Soler&Palau Sistemas de Ventilación SLU certifica que este modelo tiene licencia para llevar el sello AMCA Seal for Air Performance. Versión de revisión EasyVent v11, Mayo 2020.

Serie THGT 2 polos



Ventiladores helicoidales tubulares, capacitados para trabajar inmersos a 400°C/2h ó a 300°C/2h, fabricados con camisa larga en chapa de acero galvanizada en caliente (el motor no sobresale de la camisa), hélice equilibrada dinámicamente, de una sola pieza de aluminio (modelos 400°C/2h) o con álabes de pala variable (modelos 300°C/2h), motor trifásico, IP55, Clase H y caja de bornes exterior, situada fuera del flujo de aire.

Motores

De 2 polos.

De 2 velocidades: 2/4 polos bajo demanda.

Tensión de alimentación:

Trifásicos

230/400V-50Hz hasta 3 kW.

400V-50Hz para potencias superiores.

(Ver cuadro de características)

Aplicaciones específicas



Homologados según norma EN12101-3. Certificación nº 0370-CPD-0741



Homologados según norma EN12101-3. Certificación nº 0370-CPD-0742



Parkings

CARACTERÍSTICAS TÉCNICAS - 2 polos - 2950 rpm

Es imprescindible comprobar que las características eléctricas (voltaje, intensidad, frecuencia, etc) del motor que aparecen en la placa del mismo son compatibles con las de la instalación.

| Modelo | Potencia motor (kW) | Intensidad nominal motor (A) | | Caudal máximo (m³/h) | Código 400°C/2h camisa corta | Precio 400°C/2h c.corta €/u. | Código 400°C/2h camisa larga | Precio 400°C/2h c.larga €/u. | Código 300°C/2h camisa corta | Precio 300°C/2h c.corta €/u. | Código 300°C/2h camisa larga | Precio 300°C/2h c.larga €/u. | Grupo producto |
|-------------------|---------------------|------------------------------|-------|----------------------|------------------------------|------------------------------|------------------------------|------------------------------|------------------------------|------------------------------|------------------------------|------------------------------|----------------|
| | | 230 V | 400 V | | | | | | | | | | |
| THGT/2-400-6/27 L | 1,1 | 5,5 | 3,1 | 6.320 | — | — | 5156508300 | 2.238,40 | — | — | — | — | E04 |
| THGT/2-400-6/32 L | 1,5 | 8,0 | 4,6 | 7.490 | — | — | 5156706500 | 2.349,32 | — | — | — | — | E04 |
| THGT/2-450-6/22 L | 1,5 | 5,5 | 3,1 | 8.190 | — | — | 5156706600 | 2.406,82 | — | — | — | — | E04 |
| THGT/2-450-6/27 L | 2,2 | 8,0 | 4,6 | 9.930 | — | — | 5156706700 | 2.522,96 | — | — | — | — | E04 |
| THGT/2-450-6/32 L | 3 | 10,3 | 5,9 | 11.540 | — | — | 5156706800 | 2.743,13 | — | — | — | — | E04 |
| THGT/2-500-6/17 L | 1,5 | 5,5 | 3,1 | 9.790 | — | — | 5156706900 | 2.432,48 | — | — | — | — | E04 |
| THGT/2-500-6/22 L | 3 | 10,3 | 5,9 | 11.990 | — | — | 5156585900 | 2.548,66 | — | — | — | — | E04 |
| THGT/2-500-6/27 L | 4 | - | 7,7 | 14.480 | — | — | 5156707000 | 2.858,36 | — | — | — | — | E04 |
| THGT/2-560-6/17 L | 4 | - | 7,7 | 14.830 | — | — | 5156576100 | 2.999,24 | — | — | — | — | E04 |
| THGT/2-560-6/22 L | 5,5 | - | 10,6 | 17.750 | — | — | 5156707100 | 3.433,69 | — | — | — | — | E04 |
| THGT/2-560-6/27 L | 7,5 | - | 14,1 | 21.450 | — | — | 5150803900 | 3.648,99 | — | — | — | — | E04 |
| THGT/2-630-6/17 L | 7,5 | - | 14,1 | 22.180 | — | — | 5150824100 | 3.740,61 | — | — | — | — | E04 |
| THGT/2-630-6/22 L | 7,5 | - | 14,1 | 26.380 | — | — | 5150740900 | 3.740,61 | — | — | — | — | E04 |
| THGT/2-630-6/27 L | 11 | - | 17,3 | 31.080 | — | — | 5150845800 | 5.475,28 | — | — | — | — | E04 |

CARACTERÍSTICAS TÉCNICAS - 2 polos - 2950 rpm (Continuación)

| Modelo | Potencia motor (kW) | Intensidad nominal motor (A) | | Caudal máximo (m³/h) | Código 400°C/2h camisa corta | Precio 400°C/2h c.corta €/u. | Código 400°C/2h camisa larga | Precio 400°C/2h c.larga €/u. | Código 300°C/2h camisa corta | Precio 300°C/2h c.corta €/u. | Código 300°C/2h camisa larga | Precio 300°C/2h c.larga €/u. | Grupo producto |
|----------------------|---------------------|------------------------------|-------|----------------------|------------------------------|------------------------------|------------------------------|------------------------------|------------------------------|------------------------------|------------------------------|------------------------------|----------------|
| | | 230 V | 400 V | | | | | | | | | | |
| THGT/2-400-6/-1,1 | 1,1 | 4,1 | 2,3 | 5.240 | — | — | — | — | G52406011U03 | 1.362,97 | G52406011U23 | 1.459,95 | E04 |
| THGT/2-400-6/-1,5 | 1,5 | 5,5 | 3,1 | 7.280 | — | — | — | — | G52406015U03 | 1.419,76 | G52406015U23 | 1.516,74 | E04 |
| THGT/2-400-6/-2,2 | 2,2 | 8,0 | 4,6 | 9.310 | — | — | — | — | G52406022U03 | 1.497,64 | G52406022U23 | 1.594,59 | E04 |
| THGT/2-450-6/-1,5 | 1,5 | 5,5 | 3,1 | 8.140 | — | — | — | — | G52456015U03 | 1.458,74 | G52456015U23 | 1.561,96 | E04 |
| THGT/2-450-6/-2,2 | 2,2 | 8,0 | 4,6 | 10.610 | — | — | — | — | G52456022U03 | 1.536,60 | G52456022U23 | 1.639,82 | E04 |
| THGT/2-450-6/-3 | 3 | 10,3 | 5,9 | 11.790 | — | — | — | — | G52456030U03 | 1.740,56 | G52456030U23 | 1.843,81 | E04 |
| THGT/2-500-6/-2,2 | 2,2 | 8,0 | 4,6 | 10.050 | — | — | — | — | G52506022U03 | 1.638,08 | G52506022U23 | 1.755,40 | E04 |
| THGT/2-500-6/-3 | 3 | 10,3 | 5,9 | 12.280 | — | — | — | — | G52506030U03 | 1.798,76 | G52506030U23 | 1.916,05 | E04 |
| THGT/2-500-6/-4 | 4 | - | 7,7 | 15.760 | — | — | — | — | G52506040U03 | 1.877,80 | G52506040U23 | 1.995,09 | E04 |
| THGT/2-560-6/-3 | 3 | 10,3 | 5,9 | 12.210 | — | — | — | — | G52566030U03 | 1.959,19 | G52566030U23 | 2.092,11 | E04 |
| THGT/2-560-6/-4 | 4 | - | 7,7 | 14.980 | — | — | — | — | G52566040U03 | 2.038,19 | G52566040U23 | 2.171,14 | E04 |
| THGT/2-560-6/-5,5 | 5,5 | - | 10,6 | 18.320 | — | — | — | — | G52566055U03 | 2.305,94 | G52566055U23 | 2.438,89 | E04 |
| THGT/2-560-6/-7,5 | 7,5 | - | 14,1 | 22.980 | — | — | — | — | G52566075U03 | 2.468,07 | G52566075U23 | 2.601,05 | E04 |
| THGT/2-560-6/-9,2 | 9,2 | - | 17,3 | 25.990 | — | — | — | — | G52566092U03 | 2.976,20 | G52566092U23 | 3.109,15 | E04 |
| THGT/2-630-6/-5,5 | 5,5 | - | 10,6 | 20.860 | — | — | — | — | G52636055U03 | 2.336,12 | G52636055U23 | 2.469,05 | E04 |
| THGT/2-630-6/-7,5 | 7,5 | - | 14,1 | 25.560 | — | — | — | — | G52636075U03 | 2.523,99 | G52636075U23 | 2.688,22 | E04 |
| THGT/2-630-6/-11 L | 11 | - | 20,4 | 31.570 | — | — | — | — | — | — | G52636110U2 | 3.580,78 | E04 |
| THGT/2-630-6/-15 L | 15 | - | 27,6 | 36.990 | — | — | — | — | — | — | G52636150U2 | 3.903,80 | E04 |
| THGT/2-630-6/-18,5 L | 18,5 | - | 33,7 | 38.480 | — | — | — | — | — | — | G52636185U2 | 4.350,71 | E04 |

CARACTERÍSTICAS TÉCNICAS - 4 polos - 1450 rpm

| Modelo | Potencia motor (kW) | Intensidad nominal motor (A) | | Caudal máximo (m³/h) | Código 400°C/2h camisa corta | Precio 400°C/2h c.corta €/u. | Código 400°C/2h camisa larga | Precio 400°C/2h c.larga €/u. | Código 300°C/2h camisa corta | Precio 300°C/2h c.corta €/u. | Código 300°C/2h camisa larga | Precio 300°C/2h c.larga €/u. | Grupo producto |
|--------------------|---------------------|------------------------------|-------|----------------------|------------------------------|------------------------------|------------------------------|------------------------------|------------------------------|------------------------------|------------------------------|------------------------------|----------------|
| | | 230 V | 400 V | | | | | | | | | | |
| THGT/4-400-6/-0,25 | 0,25 | 1,4 | 0,8 | 4.340 | G64406002U0 | 2.033,67 | G64406002U2 | 2.136,27 | G54406002U02 | 1.219,83 | G54406002U2 | 1.321,49 | E04 |
| THGT/4-450-6/-0,25 | 0,25 | 1,4 | 0,8 | 5.100 | G64456002U0 | 2.093,81 | G64456002U2 | 2.203,00 | G54456002U02 | 1.250,61 | G54456002U2 | 1.352,28 | E04 |
| THGT/4-450-6/-0,37 | 0,37 | 1,8 | 1,1 | 6.200 | G64456003U0 | 2.104,12 | G64456003U2 | 2.213,91 | G54456003U02 | 1.257,92 | G54456003U2 | 1.359,60 | E04 |
| THGT/4-450-6/-0,55 | 0,55 | 2,2 | 1,3 | 7.390 | G64456005U02 | 2.167,49 | G64456005U2 | 2.275,88 | G54456005U02 | 1.273,91 | G54456005U2 | 1.375,81 | E04 |
| THGT/4-500-6/-0,55 | 0,55 | 2,2 | 1,3 | 7.930 | G64506005U02 | 2.308,62 | G64506005U2 | 2.424,04 | G54506005U02 | 1.301,38 | G54506005U2 | 1.405,50 | E04 |
| THGT/4-500-6/-0,75 | 0,75 | 2,8 | 1,6 | 10.090 | G64506007U03 | 2.461,91 | G64506007U23 | 2.585,04 | G54506007U03 | 1.504,85 | G54506007U23 | 1.625,26 | E04 |
| THGT/4-500-6/-1,1 | 1,1 | 4,2 | 2,4 | 10.510 | G64506011U03 | 2.563,88 | G64506011U23 | 2.692,06 | G54506011U03 | 1.536,14 | G54506011U23 | 1.659,03 | E04 |
| THGT/4-560-6/-0,55 | 0,55 | 2,2 | 1,3 | 8.920 | G64566005U02 | 2.490,17 | G64566005U2 | 2.614,65 | G54566005U02 | 1.375,85 | G54566005U2 | 1.485,93 | E04 |
| THGT/4-560-6/-0,75 | 0,75 | 2,8 | 1,6 | 10.340 | G64566007U03 | 2.621,23 | G64566007U23 | 2.752,29 | G54566007U03 | 1.579,32 | G54566007U23 | 1.705,67 | E04 |
| THGT/4-560-6/-1,1 | 1,1 | 4,2 | 2,4 | 13.340 | G64566011U03 | 2.691,51 | G64566011U23 | 2.826,12 | G54566011U03 | 1.610,59 | G54566011U23 | 1.739,41 | E04 |
| THGT/4-560-6/-1,5 | 1,5 | 5,7 | 3,3 | 15.080 | G64566015U03 | 2.977,35 | G64566015U23 | 3.126,27 | G54566015U03 | 1.650,54 | G54566015U23 | 1.782,56 | E04 |
| THGT/4-560-6/-2,2 | 2,2 | 8,1 | 4,6 | 15.700 | G64566022U03 | 3.339,51 | G64566022U23 | 3.466,90 | G54566022U03 | 1.951,30 | G54566022U23 | 2.107,40 | E04 |
| THGT/4-630-6/-0,75 | 0,75 | 2,8 | 1,6 | 11.450 | G64636007U03 | 2.689,74 | G64636007U23 | 2.842,60 | G54636007U03 | 1.710,17 | G54636007U23 | 1.846,99 | E04 |
| THGT/4-630-6/-1,1 | 1,1 | 4,2 | 2,4 | 14.450 | G64636011U03 | 2.763,40 | G64636011U23 | 2.916,28 | G54636011U03 | 1.741,44 | G54636011U23 | 1.880,74 | E04 |
| THGT/4-630-6/-1,5 | 1,5 | 5,7 | 3,3 | 16.830 | G64636015U03 | 3.045,16 | G64636015U23 | 3.241,73 | G54636015U03 | 1.781,38 | G54636015U23 | 1.923,92 | E04 |
| THGT/4-630-6/-2,2 | 2,2 | 8,1 | 4,6 | 20.290 | G64636022U03 | 3.413,59 | G64636022U23 | 3.610,19 | G54636022U03 | 2.082,86 | G54636022U23 | 2.249,52 | E04 |
| THGT/4-630-6/-3 | 3 | 10,7 | 6,2 | 23.590 | G64636030U03 | 3.889,22 | G64636030U23 | 4.085,80 | G54636030U03 | 2.279,04 | G54636030U23 | 2.461,40 | E04 |
| THGT/4-710-3/-0,75 | 0,75 | 2,8 | 1,6 | 15.670 | — | — | — | — | G54713007U03 | 1.840,21 | G54713007U23 | 1.991,16 | E04 |
| THGT/4-710-3/-1,1 | 1,1 | 4,2 | 2,4 | 19.300 | — | — | — | — | G54713011U03 | 1.887,13 | G54713011U23 | 2.038,07 | E04 |
| THGT/4-710-3/-1,5 | 1,5 | 5,7 | 3,3 | 22.490 | — | — | — | — | G54713015U03 | 1.925,08 | G54713015U23 | 2.079,09 | E04 |
| THGT/4-710-3/-2,2 | 2,2 | 8,1 | 4,6 | 24.680 | — | — | — | — | G54713022U03 | 2.214,20 | G54713022U23 | 2.391,35 | E04 |
| THGT/4-710-3/-3 | 3 | 10,7 | 6,2 | 26.640 | — | — | — | — | G54713030U03 | 2.397,61 | G54713030U23 | 2.589,38 | E04 |

CARACTERÍSTICAS TÉCNICAS - 4 polos - 1450 rpm (Continuación)

| Modelo | Potencia motor (kW) | | Intensidad nominal motor (A) | Caudal máximo (m³/h) | Código 400°C/2h camisa corta | Precio 400°C/2h c.corta €/u. | Código 400°C/2h camisa larga | Precio 400°C/2h c.larga €/u. | Código 300°C/2h camisa corta | Precio 300°C/2h c.corta €/u. | Código 300°C/2h camisa larga | Precio 300°C/2h c.larga €/u. | Grupo producto |
|--------------------|---------------------|-------|------------------------------|----------------------|------------------------------|------------------------------|------------------------------|------------------------------|------------------------------|------------------------------|------------------------------|------------------------------|----------------|
| | 230 V | 400 V | | | | | | | | | | | |
| THGT/4-710-5/-1,1 | 1,1 | 4,2 | 2,4 | 14.870 | G64715011U03 | 3.031,58 | G64715011U23 | 3.249,96 | — | — | — | — | E04 |
| THGT/4-710-5/-1,5 | 1,5 | 5,7 | 3,3 | 18.140 | G64715015U03 | 3.281,39 | G64715015U23 | 3.543,49 | — | — | — | — | E04 |
| THGT/4-710-5/-2,2 | 2,2 | 8,1 | 4,6 | 21.740 | G64715022U03 | 3.565,13 | G64715022U23 | 3.823,59 | — | — | — | — | E04 |
| THGT/4-710-5/-3 | 3 | 10,7 | 6,2 | 26.270 | G64715030U03 | 4.028,04 | G64715030U23 | 4.286,87 | — | — | — | — | E04 |
| THGT/4-710-5/-4 | 4 | - | 8,1 | 27.000 | G64715040U03 | 4.432,62 | G64715040U23 | 4.734,97 | — | — | — | — | E04 |
| THGT/4-710-5/-5,5 | 5,5 | - | 10,5 | 31.550 | G64715055U03 | 4.795,64 | G64715055U23 | 5.098,26 | — | — | — | — | E04 |
| THGT/4-710-6/-1,1 | 1,1 | 4,2 | 2,4 | 14.320 | — | — | — | — | G54716011U03 | 2.049,37 | G54716011U23 | 2.217,10 | E04 |
| THGT/4-710-6/-1,5 | 1,5 | 5,7 | 3,3 | 18.590 | — | — | — | — | G54716015U03 | 2.096,31 | G54716015U23 | 2.264,01 | E04 |
| THGT/4-710-6/-2,2 | 2,2 | 8,1 | 4,6 | 22.280 | — | — | — | — | G54716022U03 | 2.385,44 | G54716022U23 | 2.576,27 | E04 |
| THGT/4-710-6/-3 | 3 | 10,7 | 6,2 | 27.380 | — | — | — | — | G54716030U03 | 2.568,82 | G54716030U23 | 2.774,35 | E04 |
| THGT/4-710-6/-4 | 4 | - | 8,1 | 29.930 | — | — | — | — | G54716040U03 | 2.663,98 | G54716040U23 | 2.877,09 | E04 |
| THGT/4-710-7/-1,1 | 1,1 | 4,2 | 2,4 | 10.980 | G64717011U03 | 3.080,86 | G64717011U23 | 3.302,81 | — | — | — | — | E04 |
| THGT/4-710-7/-1,5 | 1,5 | 5,7 | 3,3 | 16.900 | G64717015U03 | 3.330,69 | G64717015U23 | 3.596,71 | — | — | — | — | E04 |
| THGT/4-710-7/-2,2 | 2,2 | 8,1 | 4,6 | 18.470 | G64717022U03 | 3.614,45 | G64717022U23 | 3.876,48 | — | — | — | — | E04 |
| THGT/4-710-7/-3 | 3 | 10,7 | 6,2 | 23.970 | G64717030U03 | 4.077,34 | G64717030U23 | 4.339,36 | — | — | — | — | E04 |
| THGT/4-710-7/-4 | 4 | - | 8,1 | 27.550 | G64717040U03 | 4.481,89 | G64717040U23 | 4.787,63 | — | — | — | — | E04 |
| THGT/4-710-7/-5,5 | 5,5 | - | 10,5 | 30.350 | G64717055U03 | 4.844,92 | G64717055U23 | 5.150,67 | — | — | — | — | E04 |
| THGT/4-800-3/-1,1 | 1,1 | 4,2 | 2,4 | 18.810 | G64803011U03 | 2.973,74 | G64803011U23 | 3.257,61 | G54803011U03 | 1.986,44 | G54803011U23 | 2.297,68 | E04 |
| THGT/4-800-3/-1,5 | 1,5 | 5,7 | 3,3 | 22.430 | G64803015U03 | 3.267,24 | G64803015U23 | 3.551,16 | G54803015U03 | 2.026,40 | G54803015U23 | 2.337,64 | E04 |
| THGT/4-800-3/-2,2 | 2,2 | 8,2 | 4,6 | 25.110 | G64803022U03 | 3.635,73 | G64803022U23 | 3.919,64 | G54803022U03 | 2.330,75 | G54803022U23 | 2.641,99 | E04 |
| THGT/4-800-3/-3 | 3 | 10,7 | 6,2 | 30.340 | G64803030U03 | 4.085,28 | G64803030U23 | 4.369,12 | G54803030U03 | 2.523,80 | G54803030U23 | 2.835,03 | E04 |
| THGT/4-800-3/-4 | 4 | - | 8,1 | 31.780 | G64803040U03 | 4.488,57 | G64803040U23 | 4.816,18 | G54803040U03 | 2.634,55 | G54803040U23 | 2.945,81 | E04 |
| THGT/4-800-3/-5,5 | 5,5 | - | 10,5 | 35.050 | G64803055U03 | 4.856,33 | G64803055U23 | 5.183,88 | G54803055U03 | 3.035,71 | G54803055U23 | 3.346,97 | E04 |
| THGT/4-800-6/-1,5 | 1,5 | 5,7 | 3,3 | 16.610 | G64806015U03 | 3.402,07 | G64806015U23 | 3.685,99 | G54806015U03 | 2.206,66 | G54806015U23 | 2.517,89 | E04 |
| THGT/4-800-6/-2,2 | 2,2 | 8,1 | 4,6 | 20.980 | G64806022U03 | 3.770,54 | G64806022U23 | 4.054,43 | G54806022U03 | 2.510,98 | G54806022U23 | 2.822,22 | E04 |
| THGT/4-800-6/-3 | 3 | 10,7 | 6,2 | 26.600 | G64806030U03 | 4.259,93 | G64806030U23 | 4.543,85 | G54806030U03 | 2.704,05 | G54806030U23 | 3.015,30 | E04 |
| THGT/4-800-6/-4 | 4 | - | 8,1 | 29.400 | G64806040U03 | 4.663,43 | G64806040U23 | 4.991,00 | G54806040U03 | 2.804,21 | G54806040U23 | 3.115,45 | E04 |
| THGT/4-800-6/-5,5 | 5,5 | - | 10,5 | 35.310 | G64806055U03 | 5.031,16 | G64806055U23 | 5.358,75 | G54806055U03 | 3.205,38 | G54806055U23 | 3.516,62 | E04 |
| THGT/4-800-6/-7,5 | 7,5 | - | 14,1 | 39.290 | G64806075U03 | 5.908,46 | G64806075U23 | 6.236,02 | G54806075U03 | 3.494,62 | G54806075U23 | 3.805,89 | E04 |
| THGT/4-800-9/-2,2 | 2,2 | 8,1 | 4,6 | 17.760 | G64809022U03 | 3.887,21 | G64809022U23 | 4.171,14 | G54809022U03 | 2.691,45 | G54809022U23 | 3.002,69 | E04 |
| THGT/4-800-9/-3 | 3 | 10,7 | 6,2 | 23.830 | G64809030U03 | 4.436,50 | G64809030U23 | 4.720,43 | G54809030U03 | 2.884,51 | G54809030U23 | 3.195,74 | E04 |
| THGT/4-800-9/-4 | 4 | - | 8,1 | 26.230 | G64809040U03 | 4.840,01 | G64809040U23 | 5.167,58 | G54809040U03 | 2.974,07 | G54809040U23 | 3.285,30 | E04 |
| THGT/4-800-9/-5,5 | 5,5 | - | 10,5 | 33.280 | G64809055U03 | 5.227,42 | G64809055U23 | 5.554,96 | G54809055U03 | 3.375,19 | G54809055U23 | 3.686,45 | E04 |
| THGT/4-800-9/-7,5 | 7,5 | - | 14,1 | 39.590 | G64809075U03 | 6.035,40 | G64809075U23 | 6.362,92 | G54809075U03 | 3.652,62 | G54809075U23 | 3.963,86 | E04 |
| THGT/4-900-3/-2,2 | 2,2 | 8,2 | 4,6 | 26.900 | G64903022U03 | 4.049,29 | G64903022U43 | 4.442,39 | G54903022U03 | 2.947,51 | G54903022U43 | 3.334,67 | E04 |
| THGT/4-900-3/-3 | 3 | 10,7 | 6,2 | 32.190 | G64903030U03 | 4.517,17 | G64903030U43 | 4.910,24 | G54903030U03 | 3.129,20 | G54903030U43 | 3.516,36 | E04 |
| THGT/4-900-3/-4 | 4 | - | 8,1 | 38.630 | G64903040U03 | 4.937,37 | G64903040U43 | 5.374,15 | G54903040U03 | 3.327,02 | G54903040U43 | 3.714,18 | E04 |
| THGT/4-900-3/-5,5 | 5,5 | - | 10,5 | 42.650 | G64903055U03 | 5.462,89 | G64903055U43 | 5.899,69 | G54903055U03 | 3.662,48 | G54903055U43 | 4.049,66 | E04 |
| THGT/4-900-3/-7,5 | 7,5 | - | 14,1 | 48.470 | G64903075U03 | 6.265,09 | G64903075U43 | 6.701,81 | G54903075U03 | 3.951,78 | G54903075U43 | 4.338,93 | E04 |
| THGT/4-900-6/-3 | 3 | 10,7 | 6,2 | 27.780 | G64906030U03 | 4.680,74 | G64906030U43 | 5.073,84 | G54906030U03 | 3.304,02 | G54906030U43 | 3.691,17 | E04 |
| THGT/4-900-6/-4 | 4 | - | 8,1 | 33.990 | G64906040U03 | 5.099,73 | G64906040U43 | 5.536,44 | G54906040U03 | 3.501,84 | G54906040U43 | 3.889,01 | E04 |
| THGT/4-900-6/-5,5 | 5,5 | - | 10,5 | 36.790 | G64906055U03 | 5.623,48 | G64906055U43 | 6.060,24 | G54906055U03 | 3.837,32 | G54906055U43 | 4.224,49 | E04 |
| THGT/4-900-6/-7,5 | 7,5 | - | 14,1 | 43.690 | G64906075U03 | 6.462,38 | G64906075U43 | 6.899,13 | G54906075U03 | 4.126,61 | G54906075U43 | 4.513,77 | E04 |
| THGT/4-900-6/-11 | 11 | - | 21,2 | 54.360 | G64906110U03 | 8.482,07 | G64906110U43 | 8.962,51 | G54906110U03 | 5.289,31 | G54906110U43 | 5.676,47 | E04 |
| THGT/4-900-9/-5,5 | 5,5 | - | 10,5 | 33.130 | G64909055U03 | 5.768,88 | G64909055U43 | 6.205,61 | G54909055U03 | 4.012,33 | G54909055U43 | 4.399,48 | E04 |
| THGT/4-900-9/-7,5 | 7,5 | - | 14,1 | 38.530 | G64909075U03 | 6.601,25 | G64909075U43 | 7.038,04 | G54909075U03 | 4.301,62 | G54909075U43 | 4.688,76 | E04 |
| THGT/4-900-9/-11 | 11 | - | 21,2 | 49.130 | G64909110U03 | 8.605,40 | G64909110U43 | 9.085,85 | G54909110U03 | 5.464,35 | G54909110U43 | 5.851,51 | E04 |
| THGT/4-900-9/-15 | 15 | - | 28,7 | 58.470 | G64909150U03 | 9.576,91 | G64909150U43 | 10.057,42 | G54909150U03 | 5.740,71 | G54909150U43 | 6.127,88 | E04 |
| THGT/4-1000-3/-3 | 3 | 10,7 | 6,2 | 37.520 | G64103030U03 | 4.543,17 | G64103030U43 | 5.023,64 | G54103030U03 | 3.256,38 | G54103030U43 | 3.736,15 | E04 |
| THGT/4-1000-3/-4 | 4 | - | 8,1 | 43.600 | G64103040U03 | 4.964,78 | G64103040U43 | 5.445,21 | G54103040U03 | 3.465,89 | G54103040U43 | 3.945,69 | E04 |
| THGT/4-1000-3/-5,5 | 5,5 | - | 10,5 | 50.370 | G64103055U03 | 5.262,80 | G64103055U43 | 5.743,26 | G54103055U03 | 3.924,61 | G54103055U43 | 4.404,39 | E04 |
| THGT/4-1000-3/-7,5 | 7,5 | - | 14,1 | 57.620 | G64103075U03 | 6.249,30 | G64103075U43 | 6.773,38 | G54103075U03 | 4.231,98 | G54103075U43 | 4.711,72 | E04 |
| THGT/4-1000-3/-11 | 11 | - | 21,2 | 64.620 | G64103110U03 | 8.634,63 | G64103110U43 | 9.158,76 | G54103110U03 | 5.158,26 | G54103110U43 | 5.638,04 | E04 |

CARACTERÍSTICAS TÉCNICAS - 6 polos - 950 rpm

| Modelo | Potencia motor (kW) | Intensidad nominal motor (A) | | Caudal máximo (m³/h) | Código 400°C/2h camisa corta | Precio 400°C/2h c.corta €/u. | Código 400°C/2h camisa larga | Precio 400°C/2h c.larga €/u. | Código 300°C/2h camisa corta | Precio 300°C/2h c.corta €/u. | Código 300°C/2h camisa larga | Precio 300°C/2h c.larga €/u. | Grupo producto |
|--------------------|---------------------|------------------------------|-------|----------------------|------------------------------|------------------------------|------------------------------|------------------------------|------------------------------|------------------------------|------------------------------|------------------------------|----------------|
| | | 230 V | 400 V | | | | | | | | | | |
| THGT/6-560-6/-0,55 | 0,55 | 2,6 | 1,5 | 9.100 | G66566005U02 | 2.938,50 | G66566005U22 | 3.085,45 | G56566005U02 | 1.390,88 | G56566005U22 | 1.502,18 | E04 |
| THGT/6-630-6/-0,55 | 0,55 | 2,6 | 1,5 | 12.650 | G66636005U02 | 3.015,74 | G66636005U22 | 3.190,45 | G56636005U02 | 1.521,73 | G56636005U22 | 1.643,47 | E04 |
| THGT/6-630-6/-0,75 | 0,75 | 3,4 | 2,0 | 13.760 | G66636007U03 | 3.468,35 | G66636007U23 | 3.643,07 | G56636007U03 | 1.873,98 | G56636007U23 | 2.023,91 | E04 |
| THGT/6-630-6/-1,1 | 1,1 | 4,8 | 2,8 | 14.980 | G66636011U03 | 3.615,90 | G66636011U23 | 3.790,59 | G56636011U03 | 1.912,14 | G56636011U23 | 2.065,11 | E04 |
| THGT/6-710-3/-0,55 | 0,55 | 2,6 | 1,5 | 15.120 | — | — | — | — | G56713005U02 | 1.653,29 | G56713005U22 | 1.814,34 | E04 |
| THGT/6-710-3/-0,75 | 0,75 | 3,4 | 2,0 | 17.190 | — | — | — | — | G56713007U03 | 2.013,08 | G56713007U23 | 2.174,12 | E04 |
| THGT/6-710-5/-0,55 | 0,55 | 2,6 | 1,5 | 13.610 | G66715005U02 | 3.383,48 | G66715005U22 | 3.601,89 | — | — | — | — | E04 |
| THGT/6-710-5/-0,75 | 0,75 | 3,4 | 2,0 | 15.470 | G66715007U03 | 3.855,26 | G66715007U23 | 4.073,61 | — | — | — | — | E04 |
| THGT/6-710-5/-1,1 | 1,1 | 4,8 | 2,8 | 17.950 | G66715011U03 | 3.984,83 | G66715011U23 | 4.246,91 | — | — | — | — | E04 |
| THGT/6-710-6/-0,55 | 0,55 | 2,6 | 1,5 | 13.120 | — | — | — | — | G56716005U02 | 1.746,07 | G56716005U22 | 1.885,75 | E04 |
| THGT/6-710-6/-0,75 | 0,75 | 3,4 | 2,0 | 16.090 | — | — | — | — | G56716007U03 | 2.100,39 | G56716007U23 | 2.268,42 | E04 |
| THGT/6-710-6/-1,1 | 1,1 | 4,8 | 2,8 | 19.490 | — | — | — | — | G56716011U03 | 2.185,50 | G56716011U23 | 2.360,38 | E04 |
| THGT/6-710-7/-0,55 | 0,55 | 2,6 | 1,5 | 12.960 | G66717005U02 | 3.432,78 | G66717005U22 | 3.655,94 | — | — | — | — | E04 |
| THGT/6-710-7/-0,75 | 0,75 | 3,4 | 2,0 | 14.240 | G66717007U03 | 3.904,57 | G66717007U23 | 4.158,33 | — | — | — | — | E04 |
| THGT/6-710-7/-1,1 | 1,1 | 4,8 | 2,8 | 18.130 | G66717011U03 | 4.034,15 | G66717011U23 | 4.296,36 | — | — | — | — | E04 |
| THGT/6-800-3/-0,75 | 0,75 | 3,4 | 2,0 | 19.740 | G66803007U03 | 3.867,42 | G66803007U23 | 4.089,70 | G56803007U03 | 2.119,03 | G56803007U23 | 2.430,28 | E04 |
| THGT/6-800-3/-1,1 | 1,1 | 4,8 | 2,8 | 21.240 | G66803011U03 | 4.002,64 | G66803011U23 | 4.265,48 | G56803011U03 | 2.157,15 | G56803011U23 | 2.468,38 | E04 |
| THGT/6-800-3/-1,5 | 1,5 | 6,5 | 3,7 | 23.190 | G66803015U03 | 4.606,12 | G66803015U23 | 4.868,21 | G56803015U03 | 2.226,65 | G56803015U23 | 2.537,88 | E04 |
| THGT/6-800-6/-0,75 | 0,75 | 3,4 | 2,0 | 16.180 | G66806007U03 | 3.927,29 | G66806007U23 | 4.149,51 | G56806007U03 | 2.299,27 | G56806007U23 | 2.610,52 | E04 |
| THGT/6-800-6/-1,1 | 1,1 | 4,8 | 2,8 | 19.940 | G66806011U03 | 4.035,70 | G66806011U23 | 4.298,54 | G56806011U03 | 2.300,54 | G56806011U23 | 2.611,78 | E04 |
| THGT/6-800-6/-1,5 | 1,5 | 6,5 | 3,7 | 22.280 | G66806015U03 | 4.693,41 | G66806015U23 | 4.955,47 | G56806015U03 | 2.396,27 | G56806015U23 | 2.707,52 | E04 |
| THGT/6-800-6/-2,2 | 2,2 | 9,2 | 5,3 | 25.940 | G66806022U03 | 5.231,99 | G66806022U23 | 5.515,94 | G56806022U03 | 2.619,52 | G56806022U23 | 2.930,78 | E04 |
| THGT/6-800-9/-0,75 | 0,75 | 3,4 | 2,0 | 14.040 | G66809007U03 | 4.213,82 | G66809007U23 | 4.436,01 | G56809007U03 | 2.479,76 | G56809007U23 | 2.790,98 | E04 |
| THGT/6-800-9/-1,1 | 1,1 | 4,8 | 2,8 | 17.160 | G66809011U03 | 4.458,60 | G66809011U23 | 4.721,45 | G56809011U03 | 2.517,85 | G56809011U23 | 2.829,11 | E04 |
| THGT/6-800-9/-1,5 | 1,5 | 6,5 | 3,7 | 19.190 | G66809015U03 | 5.023,85 | G66809015U23 | 5.285,89 | G56809015U03 | 2.566,14 | G56809015U23 | 2.877,40 | E04 |
| THGT/6-800-9/-2,2 | 2,2 | 9,2 | 5,3 | 23.610 | G66809022U03 | 5.534,38 | G66809022U23 | 5.818,29 | G56809022U03 | 2.789,38 | G56809022U23 | 3.100,65 | E04 |
| THGT/6-800-9/-3 | 3 | 12,7 | 7,3 | 26.270 | G66809030U03 | 6.410,23 | G66809030U23 | 6.694,12 | G56809030U03 | 3.208,56 | G56809030U23 | 3.519,80 | E04 |
| THGT/6-900-3/-1,5 | 1,5 | 6,4 | 3,7 | 28.200 | G66903015U03 | 4.857,85 | G66903015U43 | 5.250,91 | G56903015U03 | 2.981,22 | G56903015U43 | 3.219,73 | E04 |
| THGT/6-900-3/-2,2 | 2,2 | 9,2 | 5,3 | 31.930 | G66903022U03 | 5.192,52 | G66903022U43 | 5.585,62 | G56903022U03 | 3.142,35 | G56903022U43 | 3.393,73 | E04 |
| THGT/6-900-6/-1,5 | 1,5 | 6,5 | 3,7 | 22.120 | G66906015U03 | 5.013,93 | G66906015U43 | 5.407,06 | G56906015U03 | 3.156,06 | G56906015U43 | 3.408,53 | E04 |
| THGT/6-900-6/-2,2 | 2,2 | 9,2 | 5,3 | 26.070 | G66906022U03 | 5.368,82 | G66906022U43 | 5.761,91 | G56906022U03 | 3.317,15 | G56906022U43 | 3.582,53 | E04 |
| THGT/6-900-6/-3 | 3 | 12,7 | 7,3 | 35.130 | G66906030U03 | 6.357,76 | G66906030U43 | 6.794,49 | G56906030U03 | 3.741,70 | G56906030U43 | 4.041,01 | E04 |
| THGT/6-900-9/-1,5 | 1,5 | 6,5 | 3,7 | 21.920 | G66909015U03 | 5.199,03 | G66909015U43 | 5.592,10 | G56909015U03 | 3.335,77 | G56909015U43 | 3.602,62 | E04 |
| THGT/6-900-9/-2,2 | 2,2 | 9,2 | 5,3 | 28.270 | G66909022U03 | 5.557,37 | G66909022U43 | 5.950,48 | G56909022U03 | 3.492,17 | G56909022U43 | 3.771,53 | E04 |
| THGT/6-900-9/-3 | 3 | 12,7 | 7,3 | 32.550 | G66909030U03 | 6.546,28 | G66909030U43 | 6.983,01 | G56909030U03 | 3.924,52 | G56909030U43 | 4.238,48 | E04 |
| THGT/6-900-9/-5,5 | 5,5 | - | 12,8 | 36.820 | G66909055U03 | 8.391,94 | G66909055U43 | 8.895,44 | G56909055U03 | 4.468,83 | — | — | E04 |
| THGT/6-1000-3/-1,5 | 1,5 | 6,5 | 3,7 | 31.780 | G66103015U03 | 4.954,77 | G66103015U43 | 5.435,16 | G56103015U03 | 3.098,49 | G56103015U43 | 3.346,37 | E04 |
| THGT/6-1000-3/-2,2 | 2,2 | 9,2 | 5,3 | 36.570 | G66103022U03 | 5.439,78 | G66103022U43 | 5.920,18 | G56103022U03 | 3.269,68 | G56103022U43 | 3.531,24 | E04 |
| THGT/6-1000-3/-3 | 3 | 12,7 | 7,3 | 42.040 | G66103030U03 | 6.346,91 | G66103030U43 | 6.827,32 | G56103030U03 | 3.496,54 | G56103030U43 | 3.776,26 | E04 |
| THGT/6-1000-3/-4 | 4 | - | 9,5 | 43.480 | G66103040U03 | 7.332,68 | G66103040U43 | 7.813,14 | G56103040U03 | 3.690,49 | G56103040U43 | 3.985,74 | E04 |
| THGT/6-1000-6/-1,5 | 1,5 | 6,5 | 3,7 | 26.310 | G66106015U03 | 5.142,96 | G66106015U43 | 5.623,39 | G56106015U03 | 3.289,47 | G56106015U43 | 3.552,59 | E04 |
| THGT/6-1000-6/-2,2 | 2,2 | 9,2 | 5,3 | 31.860 | G66106022U03 | 5.627,97 | G66106022U43 | 6.108,42 | G56106022U03 | 3.460,60 | G56106022U43 | 3.737,47 | E04 |
| THGT/6-1000-6/-3 | 3 | 12,7 | 7,3 | 37.420 | G66106030U03 | 6.535,11 | G66106030U43 | 7.015,53 | G56106030U03 | 3.776,48 | G56106030U43 | 4.078,56 | E04 |
| THGT/6-1000-6/-4 | 4 | - | 9,5 | 41.750 | G66106040U03 | 7.572,90 | G66106040U43 | 8.053,32 | G56106040U03 | 3.979,04 | G56106040U43 | 4.297,38 | E04 |
| THGT/6-1000-6/-5,5 | 5,5 | - | 12,8 | 51.620 | G66106055U03 | 8.371,25 | G66106055U43 | 8.873,47 | G56106055U03 | 4.338,98 | — | — | E04 |

CARACTERÍSTICAS TÉCNICAS - 6 polos - 950 rpm (Continuación)

| Modelo | Potencia motor (kW) | | Intensidad nominal motor (A) | Caudal máximo (m³/h) | Código 400°C/2h camisa corta | Precio 400°C/2h c.corta | Código 400°C/2h camisa larga | Precio 400°C/2h c.larga | Código 300°C/2h camisa corta | Precio 300°C/2h c.corta | Código 300°C/2h camisa larga | Precio 300°C/2h c.larga | Grupo producto |
|----------------------|---------------------|-------|------------------------------|----------------------|------------------------------|-------------------------|------------------------------|-------------------------|------------------------------|-------------------------|------------------------------|-------------------------|----------------|
| | 230 V | 400 V | | | | €/u. | | €/u. | | €/u. | | €/u. | |
| THGT/6-1409-9/-15 | 15 | - | 28,2 | 89.140 | G6614909150U33 | 18.284,26 | G6614909150U23 | 19.811,21 | G6614909150U33 | 12.216,68 | G6614909150U23 | 13.743,53 | E04 |
| THGT/6-1409-9/-18,5 | 18,5 | - | 35,9 | 96.210 | G6614909185U33 | 19.521,12 | G6614909185U23 | 21.047,97 | G6614909185U33 | 13.949,60 | G6614909185U23 | 15.476,45 | E04 |
| THGT/6-1409-9/-22 | 22 | - | 42,4 | 110.100 | G6614909220U33 | 20.756,73 | G6614909220U23 | 22.283,68 | G6614909220U33 | 14.361,43 | G6614909220U23 | 15.888,28 | E04 |
| THGT/6-1409-9/-30 | 30 | - | 55,4 | 130.130 | G6614909300U33 | 24.073,98 | G6614909300U23 | 25.600,93 | G6614909300U33 | 17.523,50 | G6614909300U23 | 19.050,35 | E04 |
| THGT/6-1409-9/-37 | 37 | - | 67,2 | 142.884 | G6614909370U33 | 27.360,09 | G6614909370U23 | 28.887,04 | G6614909370U33 | 19.870,05 | G6614909370U23 | 21.396,90 | E04 |
| THGT/6-1409-9/-45 | 45 | - | 84,4 | 156.230 | G6614909450U33 | 36.435,28 | G6614909450U23 | 37.962,24 | G6614909450U33 | 26.220,41 | G6614909450U23 | 27.747,26 | E04 |
| THGT/6-1409-12/-18,5 | 18,5 | - | 35,9 | 90.560 | G66149012185U33 | 19.945,81 | G66149012185U23 | 21.472,66 | G66149012185U33 | 14.512,23 | G66149012185U23 | 16.039,08 | E04 |
| THGT/6-1409-12/-22 | 22 | - | 42,4 | 97.560 | G66149012220U33 | 21.181,42 | G66149012220U23 | 22.708,37 | G66149012220U33 | 14.923,96 | G66149012220U23 | 16.450,91 | E04 |
| THGT/6-1409-12/-30 | 30 | - | 55,4 | 119.380 | G66149012300U33 | 24.498,67 | G66149012300U23 | 26.025,52 | G66149012300U33 | 18.086,02 | G66149012300U23 | 19.612,98 | E04 |
| THGT/6-1409-12/-37 | 37 | - | 67,2 | 133.620 | G66149012370U33 | 27.784,77 | G66149012370U23 | 29.311,62 | G66149012370U33 | 20.432,57 | G66149012370U23 | 21.959,53 | E04 |
| THGT/6-1409-12/-45 | 45 | - | 84,4 | 145.000 | G66149012450U33 | 36.859,97 | G66149012450U23 | 38.386,82 | G66149012450U33 | 26.782,93 | G66149012450U23 | 28.309,89 | E04 |
| THGT/6-1409-12/-55 | 55 | - | 103 | 156.430 | G66149012550U33 | 42.990,36 | G66149012550U23 | 44.517,31 | G66149012550U33 | 32.913,42 | G66149012550U23 | 34.440,27 | E04 |
| THGT/6-1609-3/-11 | 11 | - | 21,9 | 117.560 | G6616903110U33 | 14.174,07 | G6616903110U23 | 15.896,75 | G6616903110U33 | 10.813,45 | G6616903110U23 | 12.536,13 | E04 |
| THGT/6-1609-3/-15 | 15 | - | 28,2 | 131.740 | G6616903150U33 | 18.058,44 | G6616903150U23 | 19.781,22 | G6616903150U33 | 11.855,42 | G6616903150U23 | 13.578,21 | E04 |
| THGT/6-1609-3/-18,5 | 18,5 | - | 35,9 | 145.590 | G6616903185U33 | 19.295,30 | G6616903185U23 | 21.017,98 | G6616903185U33 | 13.588,45 | G6616903185U23 | 15.311,13 | E04 |
| THGT/6-1609-3/-22 | 22 | - | 42,4 | 151.560 | G6616903220U33 | 20.757,25 | G6616903220U23 | 22.479,94 | G6616903220U33 | 13.997,67 | G6616903220U23 | 15.720,35 | E04 |
| THGT/6-1609-3/-30 | 30 | - | 55,4 | 169.180 | G6616903300U33 | 24.074,50 | G6616903300U23 | 25.797,18 | G6616903300U33 | 17.159,74 | G6616903300U23 | 18.882,42 | E04 |
| THGT/6-1609-3/-37 | 37 | - | 67,2 | 182.020 | G6616903370U33 | 27.360,61 | G6616903370U23 | 29.083,29 | G6616903370U33 | 19.506,28 | G6616903370U23 | 21.228,97 | E04 |
| THGT/6-1609-6/-18,5 | 18,5 | - | 35,9 | 126.470 | G6616906185U33 | 19.855,63 | G6616906185U23 | 21.578,31 | G6616906185U33 | 14.146,06 | G6616906185U23 | 15.868,74 | E04 |
| THGT/6-1609-6/-22 | 22 | - | 42,4 | 135.980 | G6616906220U33 | 21.091,23 | G6616906220U23 | 22.813,92 | G6616906220U33 | 14.557,89 | G6616906220U23 | 16.280,58 | E04 |
| THGT/6-1609-6/-30 | 30 | - | 55,4 | 163.570 | G6616906300U33 | 24.408,48 | G6616906300U23 | 26.131,17 | G6616906300U33 | 17.719,96 | G6616906300U23 | 19.442,64 | E04 |
| THGT/6-1609-6/-37 | 37 | - | 67,2 | 180.340 | G6616906370U33 | 27.694,59 | G6616906370U23 | 29.417,27 | G6616906370U33 | 20.066,51 | G6616906370U23 | 21.789,19 | E04 |
| THGT/6-1609-6/-45 | 45 | - | 84,4 | 185.500 | G6616906450U33 | 36.860,39 | G6616906450U23 | 38.583,18 | G6616906450U33 | 26.419,27 | G6616906450U23 | 28.141,95 | E04 |
| THGT/6-1609-6/-55 | 55 | - | 103 | 210.840 | G6616906550U33 | 43.081,48 | G6616906550U23 | 44.804,17 | G6616906550U33 | 32.552,06 | G6616906550U23 | 34.274,75 | E04 |
| THGT/6-1609-6/-75 | 75 | - | 139 | 217.840 | G6616906750U33 | 45.617,70 | G6616906750U23 | 47.340,38 | G6616906750U33 | 34.696,09 | G6616906750U23 | 36.418,77 | E04 |
| THGT/6-1609-9/-22 | 22 | - | 42,4 | 115.530 | G6616909220U33 | 21.515,92 | G6616909220U23 | 23.238,61 | G6616909220U33 | 15.120,52 | G6616909220U23 | 16.843,21 | E04 |
| THGT/6-1609-9/-30 | 30 | - | 55,4 | 147.690 | G6616909300U33 | 24.833,17 | G6616909300U23 | 26.555,85 | G6616909300U33 | 18.282,59 | G6616909300U23 | 20.005,27 | E04 |
| THGT/6-1609-9/-37 | 37 | - | 67,2 | 168.160 | G6616909370U33 | 28.119,28 | G6616909370U23 | 29.841,96 | G6616909370U33 | 20.629,14 | G6616909370U23 | 22.351,82 | E04 |
| THGT/6-1609-9/-45 | 45 | - | 84,4 | 178.170 | G6616909450U33 | 37.194,48 | G6616909450U23 | 38.917,16 | G6616909450U33 | 26.979,50 | G6616909450U23 | 28.702,18 | E04 |
| THGT/6-1609-9/-55 | 55 | - | 103 | 197.680 | G6616909550U33 | 43.415,47 | G6616909550U23 | 45.138,25 | G6616909550U33 | 33.112,29 | G6616909550U23 | 34.834,97 | E04 |
| THGT/6-1609-9/-75 | 75 | - | 139 | 233.402 | G6616909750U33 | 45.951,68 | G6616909750U23 | 47.674,36 | G6616909750U33 | 35.256,31 | G6616909750U23 | 36.979,10 | E04 |
| THGT/6-1609-12/-22 | 22 | - | 42,4 | 108.610 | G66169012220U33 | 21.940,61 | G66169012220U23 | 23.663,29 | G66169012220U33 | 15.680,75 | G66169012220U23 | 17.403,43 | E04 |
| THGT/6-1609-12/-30 | 30 | - | 55,4 | 130.490 | G66169012300U33 | 25.257,75 | G66169012300U23 | 26.980,44 | G66169012300U33 | 18.842,81 | G66169012300U23 | 20.565,50 | E04 |
| THGT/6-1609-12/-37 | 37 | - | 67,2 | 152.890 | G66169012370U33 | 28.543,97 | G66169012370U23 | 30.266,54 | G66169012370U33 | 21.189,47 | G66169012370U23 | 22.912,15 | E04 |
| THGT/6-1609-12/-45 | 45 | - | 84,4 | 163.890 | G66169012450U33 | 37.619,06 | G66169012450U23 | 39.341,74 | G66169012450U33 | 27.542,12 | G66169012450U23 | 29.264,81 | E04 |
| THGT/6-1609-12/-55 | 55 | - | 103 | 185.430 | G66169012550U33 | 43.749,55 | G66169012550U23 | 45.472,23 | G66169012550U33 | 33.672,51 | G66169012550U23 | 35.395,30 | E04 |
| THGT/6-1609-12/-75 | 75 | - | 139 | 216.250 | G66169012750U33 | 46.285,77 | G66169012750U23 | 48.008,45 | G66169012750U33 | 35.816,64 | G66169012750U23 | 37.539,33 | E04 |
| THGT/6-1609-12/-90 | 90 | - | 165 | 229.000 | G66169012900U33 | 50.996,10 | G66169012900U23 | 52.718,79 | G66169012900U33 | 40.846,96 | G66169012900U23 | 42.569,64 | E04 |

MODELOS THGT DE 2 VELOCIDADES

CARACTERÍSTICAS TÉCNICAS - 2/4 polos - 2950/1450 rpm

| Modelo | Potencia motor (kW) | | Intensidad nominal motor (A) | | Código 400°C/2h camisa corta | Precio 400°C/2h c.corta €/u. | Código 400°C/2h camisa larga | Precio 400°C/2h c.larga €/u. | Código 300°C/2h camisa corta | Precio 300°C/2h c.corta €/u. | Código 300°C/2h camisa larga | Precio 300°C/2h c.larga €/u. | Grupo producto |
|--------------------------|---------------------|------|------------------------------|-----|------------------------------|------------------------------|------------------------------|------------------------------|------------------------------|------------------------------|------------------------------|------------------------------|----------------|
| | V.1 | V.2 | V.1 | V.2 | | | | | | | | | |
| THGT/2/4-400-6/27 L | 1,1 | 0,25 | 2,4 | 0,8 | — | — | 5150932000 | 2.489,25 | — | — | — | — | E04 |
| THGT/2/4-400-6/32 L | 1,5 | 0,37 | 3,5 | 1,3 | — | — | 5150932100 | 2.520,54 | — | — | — | — | E04 |
| THGT/2/4-450-6/22 L | 1,5 | 0,37 | 3,5 | 1,3 | — | — | 5150932200 | 2.553,57 | — | — | — | — | E04 |
| THGT/2/4-450-6/27 L | 2,2 | 0,5 | 4,6 | 1,5 | — | — | 5150932300 | 2.718,43 | — | — | — | — | E04 |
| THGT/2/4-450-6/32 L | 3,1 | 0,8 | 6,2 | 2,0 | — | — | 5150741300 | 3.262,76 | — | — | — | — | E04 |
| THGT/2/4-500-6/17 L | 1,5 | 0,37 | 3,5 | 1,3 | — | — | 5150932400 | 2.576,65 | — | — | — | — | E04 |
| THGT/2/4-500-6/22 L | 3,1 | 0,8 | 6,2 | 2,0 | — | — | 5150932500 | 3.259,96 | — | — | — | — | E04 |
| THGT/2/4-500-6/27 L | 4,4 | 1,1 | 8,6 | 2,8 | — | — | 5150967400 | 3.312,19 | — | — | — | — | E04 |
| THGT/2/4-560-6/17 L | 4,4 | 1,1 | 8,6 | 2,8 | — | — | 5150932700 | 3.512,83 | — | — | — | — | E04 |
| THGT/2/4-560-6/22 L | 6 | 1,5 | 11,4 | 3,7 | — | — | 5150932800 | 3.786,92 | — | — | — | — | E04 |
| THGT/2/4-560-6/27 L | 8 | 2 | 15,3 | 4,8 | — | — | 5150932900 | 4.836,74 | — | — | — | — | E04 |
| THGT/2/4-630-6/17 L | 8 | 2 | 15,3 | 4,8 | — | — | 5150933000 | 4.919,10 | — | — | — | — | E04 |
| THGT/2/4-630-6/22 L | 8 | 2 | 15,3 | 4,8 | — | — | 5150933100 | 4.919,10 | — | — | — | — | E04 |
| THGT/2/4-630-6/27 L | 12 | 3 | 23,1 | 7,3 | — | — | 5150933200 | 6.219,84 | — | — | — | — | E04 |
| THGT/2/4-400-6/-1,1/0,25 | 1,1 | 0,25 | 2,5 | 0,7 | — | — | — | — | G5540601100 | 2.255,09 | G5540601102 | 2.356,75 | E04 |
| THGT/2/4-400-6/-1,5/0,37 | 1,5 | 0,37 | 3,8 | 0,9 | — | — | — | — | G5540601500 | 2.288,56 | G5540601502 | 2.390,22 | E04 |
| THGT/2/4-400-6/-2,2/0,5 | 2,2 | 0,5 | 4,8 | 1,5 | — | — | — | — | G5540602200 | 2.379,64 | G5540602202 | 2.481,33 | E04 |
| THGT/2/4-450-6/-2,2/0,5 | 2,2 | 0,5 | 4,8 | 1,5 | — | — | — | — | G5545602200 | 2.459,40 | G5545602202 | 2.572,03 | E04 |
| THGT/2/4-450-6/-3,1/0,8 | 3,1 | 0,8 | 6,2 | 2,0 | — | — | — | — | G5545603100 | 2.736,71 | G5545603102 | 2.849,33 | E04 |
| THGT/2/4-500-6/-1,5/0,37 | 1,5 | 0,37 | 3,8 | 0,9 | — | — | — | — | G5550601500 | 2.483,03 | G5550601502 | 2.607,20 | E04 |
| THGT/2/4-500-6/-2,2/0,5 | 2,2 | 0,5 | 4,8 | 1,5 | — | — | — | — | G5550602200 | 2.513,93 | G5550602202 | 2.635,95 | E04 |
| THGT/2/4-500-6/-3,1/0,8 | 3,1 | 0,8 | 6,2 | 2,0 | — | — | — | — | G5550603100 | 2.790,76 | G5550603102 | 2.912,79 | E04 |
| THGT/2/4-500-6/-4,4/1,1 | 4,4 | 1,1 | 8,6 | 2,8 | — | — | — | — | G5550604410 | 2.850,56 | G5550604412 | 2.972,53 | E04 |
| THGT/2/4-560-6/-3,1/0,8 | 3,1 | 0,8 | 6,2 | 2,0 | — | — | — | — | G5556603100 | 3.025,86 | G5556603102 | 3.166,63 | E04 |
| THGT/2/4-560-6/-4,4/1,1 | 4,4 | 1,1 | 8,6 | 2,8 | — | — | — | — | G5556604410 | 3.085,63 | G5556604412 | 3.226,42 | E04 |
| THGT/2/4-560-6/-6/1,5 | 6 | 1,5 | 11,4 | 3,7 | — | — | — | — | G5556606010 | 3.232,29 | G5556606012 | 3.373,09 | E04 |
| THGT/2/4-560-6/-8/2 | 8 | 2 | 15,3 | 4,8 | — | — | — | — | G5556608020 | 3.998,14 | G5556608022 | 4.138,89 | E04 |
| THGT/2/4-630-6/-4,4/1,1 | 4,4 | 1,1 | 8,6 | 2,8 | — | — | — | — | G5563604410 | 3.271,88 | G5563604412 | 3.435,49 | E04 |
| THGT/2/4-630-6/-6/1,5 | 6 | 1,5 | 11,4 | 3,7 | — | — | — | — | G5563606010 | 3.439,53 | G5563606012 | 3.603,78 | E04 |
| THGT/2/4-630-6/-8/2 | 8 | 2 | 15,3 | 4,8 | — | — | — | — | G5563608020 | 3.999,19 | G5563608022 | 4.163,46 | E04 |
| THGT/2/4-630-6/-12/3 L | 12 | 3 | 23,1 | 7,3 | — | — | — | — | — | — | G5563601232 | 5.264,75 | E04 |
| THGT/2/4-630-6/-16/4 L | 16 | 4 | 30,5 | 9,6 | — | — | — | — | — | — | G5563601642 | 5.733,98 | E04 |

CARACTERÍSTICAS TÉCNICAS - 4/8 polos - 2950/1450 rpm

| Modelo | Potencia motor (kW) | | Intensidad nominal motor (A) | | Código 400°C/2h camisa corta | Precio 400°C/2h c.corta €/u. | Código 400°C/2h camisa larga | Precio 400°C/2h c.larga €/u. | Código 300°C/2h camisa corta | Precio 300°C/2h c.corta €/u. | Código 300°C/2h camisa larga | Precio 300°C/2h c.larga €/u. | Grupo producto |
|---------------------------|---------------------|------|------------------------------|-----|------------------------------|------------------------------|------------------------------|------------------------------|------------------------------|------------------------------|------------------------------|------------------------------|----------------|
| | V.1 | V.2 | V.1 | V.2 | | | | | | | | | |
| THGT/4/8-400-6/-0,55/0,09 | 0,55 | 0,09 | 1,7 | 0,8 | G6740600500 | 2.631,82 | G6740600502 | 2.721,40 | G5740600500 | 1.599,99 | G5740600502 | 1.728,01 | E04 |
| THGT/4/8-450-6/-0,55/0,09 | 0,55 | 0,09 | 1,7 | 0,8 | G6745600500 | 2.776,20 | G6745600502 | 2.875,82 | G5745600500 | 1.631,24 | G5745600502 | 1.761,73 | E04 |
| THGT/4/8-500-6/-0,55/0,09 | 0,55 | 0,09 | 1,7 | 0,8 | G6750600500 | 2.991,81 | G6750600502 | 3.102,08 | G5750600500 | 1.658,76 | G5750600502 | 1.791,46 | E04 |
| THGT/4/8-500-6/-0,75/0,12 | 0,75 | 0,12 | 2,3 | 0,9 | G6750600700 | 3.074,89 | G6750600702 | 3.182,92 | G5750600700 | 1.739,34 | G5750600702 | 1.878,48 | E04 |
| THGT/4/8-500-6/-1,1/0,18 | 1,1 | 0,18 | 2,7 | 1,2 | G6750601100 | 3.250,13 | G6750601102 | 3.362,07 | G5750601100 | 1.850,81 | G5750601102 | 1.998,89 | E04 |

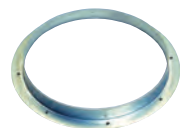
CARACTERÍSTICAS TÉCNICAS - 4/8 polos - 2950/1450 rpm (Continuación)

| Modelo | Potencia motor (kW) | | Intensidad nominal motor (A) | | Código 400°C/2h camisa corta | Precio 400°C/2h c.corta €/u. | Código 400°C/2h camisa larga | Precio 400°C/2h c.larga €/u. | Código 300°C/2h camisa corta | Precio 300°C/2h c.corta €/u. | Código 300°C/2h camisa larga | Precio 300°C/2h c.larga €/u. | Grupo producto |
|---------------------------|---------------------|------|------------------------------|-----|------------------------------|------------------------------|------------------------------|------------------------------|------------------------------|------------------------------|------------------------------|------------------------------|----------------|
| | V.1 | V.2 | V.1 | V.2 | | | | | | | | | |
| THGT/4/8-560-6/-0,55/0,09 | 0,55 | 0,09 | 1,7 | 0,8 | G6756600500 | 3.065,75 | G6756600502 | 3.196,34 | G5756600500 | 1.733,28 | G5756600502 | 1.871,96 | E04 |
| THGT/4/8-560-6/-0,75/0,12 | 0,75 | 0,12 | 2,3 | 0,9 | G6756600700 | 3.260,18 | G6756600702 | 3.391,29 | G5756600700 | 1.813,91 | G5756600702 | 1.959,01 | E04 |
| THGT/4/8-560-6/-1,1/0,18 | 1,1 | 0,18 | 2,7 | 1,2 | G6756601100 | 3.451,63 | G6756601102 | 3.586,21 | G5756601100 | 1.925,36 | G5756601102 | 2.079,39 | E04 |
| THGT/4/8-560-6/-1,5/0,25 | 1,5 | 0,25 | 3,7 | 1,6 | G6756601500 | 3.747,50 | G6756601502 | 3.896,42 | G5756601500 | 2.005,83 | G5756601502 | 2.166,30 | E04 |
| THGT/4/8-560-6/-2,2/0,37 | 2,2 | 0,37 | 4,7 | 1,7 | G6756602200 | 4.079,26 | G6756602202 | 4.210,30 | G5756602200 | 2.263,03 | G5756602202 | 2.444,09 | E04 |
| THGT/4/8-630-6/-0,55/0,09 | 0,55 | 0,09 | 1,7 | 0,8 | G6763600500 | 3.328,60 | G6763600502 | 3.461,74 | G5763600500 | 1.854,60 | G5763600502 | 2.002,98 | E04 |
| THGT/4/8-630-6/-0,75/0,12 | 0,75 | 0,12 | 2,3 | 0,9 | G6763600700 | 3.352,89 | G6763600702 | 3.505,78 | G5763600700 | 1.944,74 | G5763600702 | 2.100,31 | E04 |
| THGT/4/8-630-6/-1,1/0,18 | 1,1 | 0,18 | 2,7 | 1,2 | G6763601100 | 3.544,34 | G6763601102 | 3.697,25 | G5763601100 | 2.056,19 | G5763601102 | 2.220,70 | E04 |
| THGT/4/8-630-6/-1,5/0,25 | 1,5 | 0,25 | 3,7 | 1,6 | G6763601500 | 3.840,24 | G6763601502 | 4.036,74 | G5763601500 | 2.136,67 | G5763601502 | 2.307,61 | E04 |
| THGT/4/8-630-6/-2,2/0,37 | 2,2 | 0,37 | 4,7 | 1,7 | G6763602200 | 4.144,77 | G6763602202 | 4.341,29 | G5763602200 | 2.373,97 | G5763602202 | 2.563,88 | E04 |
| THGT/4/8-630-6/-3/0,55 | 3 | 0,55 | 6,3 | 2,4 | G6763603000 | 4.579,88 | G6763603002 | 4.776,40 | G5763603000 | 2.548,53 | G5763603002 | 2.752,37 | E04 |
| THGT/4/8-630-6/-4/0,75 | 4 | 0,75 | 8,4 | 2,3 | G6763604000 | 4.890,90 | G6763604002 | 5.086,55 | G5763604000 | 2.628,44 | G5763604002 | 2.838,72 | E04 |
| THGT/4/8-710-3/-0,55/0,09 | 0,55 | 0,09 | 1,7 | 0,8 | — | — | — | — | G5771300500 | 2.021,53 | G5771300502 | 2.183,26 | E04 |
| THGT/4/8-710-3/-0,75/0,12 | 0,75 | 0,12 | 2,3 | 0,9 | — | — | — | — | G5771300700 | 2.072,01 | G5771300702 | 2.246,88 | E04 |
| THGT/4/8-710-3/-1,1/0,18 | 1,1 | 0,18 | 2,7 | 1,2 | — | — | — | — | G5771301100 | 2.186,18 | G5771301102 | 2.361,04 | E04 |
| THGT/4/8-710-3/-1,5/0,25 | 1,5 | 0,25 | 3,7 | 1,6 | — | — | — | — | G5771301500 | 2.262,63 | G5771301502 | 2.443,62 | E04 |
| THGT/4/8-710-3/-2,2/0,37 | 2,2 | 0,37 | 4,7 | 1,7 | — | — | — | — | G5771302200 | 2.490,72 | G5771302202 | 2.690,01 | E04 |
| THGT/4/8-710-3/-3/0,55 | 3 | 0,55 | 6,3 | 2,4 | — | — | — | — | G5771303000 | 2.656,56 | G5771303002 | 2.869,08 | E04 |
| THGT/4/8-710-5/-0,75/0,12 | 0,75 | 0,12 | 1,9 | 0,8 | G6771500700 | 3.597,09 | G6771500702 | 3.812,88 | — | — | — | — | E04 |
| THGT/4/8-710-5/-1,1/0,18 | 1,1 | 0,18 | 2,7 | 1,2 | G6771501100 | 3.826,69 | G6771501102 | 4.045,05 | — | — | — | — | E04 |
| THGT/4/8-710-5/-1,5/0,25 | 1,5 | 0,25 | 3,7 | 1,6 | G6771501500 | 4.122,58 | G6771501502 | 4.384,60 | — | — | — | — | E04 |
| THGT/4/8-710-5/-2,2/0,37 | 2,2 | 0,37 | 4,7 | 1,7 | G6771502200 | 4.377,85 | G6771502202 | 4.636,96 | — | — | — | — | E04 |
| THGT/4/8-710-5/-3/0,55 | 3 | 0,55 | 6,3 | 2,4 | G6771503000 | 4.911,51 | G6771503002 | 5.176,24 | — | — | — | — | E04 |
| THGT/4/8-710-5/-4/0,75 | 4 | 0,75 | 8,4 | 2,3 | G6771504000 | 5.291,52 | G6771504002 | 5.594,45 | — | — | — | — | E04 |
| THGT/4/8-710-5/-5,5/1,1 | 5,5 | 1,1 | 11,7 | 3,7 | G6771505510 | 5.857,17 | G6771505512 | 6.160,39 | — | — | — | — | E04 |
| THGT/4/8-710-6/-0,75/0,12 | 0,75 | 0,12 | 1,9 | 0,6 | — | — | — | — | G5771600700 | 2.175,59 | G5771600702 | 2.349,62 | E04 |
| THGT/4/8-710-6/-1,1/0,18 | 1,1 | 0,18 | 2,7 | 1,2 | — | — | — | — | G5771601100 | 2.282,58 | G5771601102 | 2.465,21 | E04 |
| THGT/4/8-710-6/-1,5/0,25 | 1,5 | 0,25 | 3,7 | 1,6 | — | — | — | — | G5771601700 | 2.363,06 | G5771601702 | 2.552,10 | E04 |
| THGT/4/8-710-6/-2,2/0,37 | 2,2 | 0,37 | 4,7 | 1,7 | — | — | — | — | G5771602300 | 2.622,16 | G5771602302 | 2.831,95 | E04 |
| THGT/4/8-710-6/-3/0,55 | 3 | 0,55 | 6,3 | 2,4 | — | — | — | — | G5771603000 | 2.741,87 | G5771603002 | 2.961,21 | E04 |
| THGT/4/8-710-6/-4/0,75 | 4 | 0,75 | 8,4 | 2,3 | — | — | — | — | G5771604000 | 3.347,26 | G5771604002 | 3.615,03 | E04 |
| THGT/4/8-710-7/-1,1/0,18 | 1,1 | 0,18 | 2,7 | 1,2 | G6771701100 | 3.875,98 | G6771701102 | 4.097,16 | — | — | — | — | E04 |
| THGT/4/8-710-7/-1,5/0,25 | 1,5 | 0,25 | 3,7 | 1,6 | G6771701500 | 4.171,88 | G6771701502 | 4.437,04 | — | — | — | — | E04 |
| THGT/4/8-710-7/-2,2/0,37 | 2,2 | 0,37 | 4,7 | 1,7 | G6771702200 | 4.427,17 | G6771702202 | 4.689,16 | — | — | — | — | E04 |
| THGT/4/8-710-7/-3/0,55 | 3 | 0,55 | 6,3 | 2,4 | G6771703000 | 5.009,74 | G6771703002 | 5.279,77 | — | — | — | — | E04 |
| THGT/4/8-710-7/-4/0,75 | 4 | 0,75 | 8,4 | 2,3 | G6771704000 | 5.340,83 | G6771704002 | 5.646,54 | — | — | — | — | E04 |
| THGT/4/8-710-7/-5,5/1,1 | 5,5 | 1,1 | 11,7 | 3,7 | G6771705510 | 5.906,47 | G6771705512 | 6.212,15 | — | — | — | — | E04 |
| THGT/4/8-800-3/-1,1/0,18 | 1,1 | 0,18 | 2,7 | 1,2 | G6780301100 | 3.617,45 | G6780301102 | 3.901,28 | G5780301100 | 2.301,23 | G5780301102 | 2.485,31 | E04 |
| THGT/4/8-800-3/-1,5/0,25 | 1,5 | 0,25 | 3,7 | 1,6 | G6780301500 | 3.956,99 | G6780301502 | 4.240,86 | G5780301500 | 2.381,71 | G5780301502 | 2.572,24 | E04 |
| THGT/4/8-800-3/-2,2/0,37 | 2,2 | 0,37 | 4,7 | 1,7 | G6780302200 | 4.261,55 | G6780302202 | 4.545,39 | G5780302200 | 2.621,81 | G5780302202 | 2.831,56 | E04 |
| THGT/4/8-800-3/-3/0,55 | 3 | 0,55 | 6,3 | 2,5 | G6780303000 | 4.696,63 | G6780303002 | 4.980,53 | G5780303000 | 2.796,37 | G5780303002 | 3.020,09 | E04 |
| THGT/4/8-800-3/-4/0,75 | 4 | 0,75 | 8,4 | 2,4 | G6780304000 | 5.175,25 | G6780304002 | 5.502,79 | G5780304000 | 3.343,20 | G5780304002 | 3.610,66 | E04 |
| THGT/4/8-800-3/-5,5/1,1 | 5,5 | 1,1 | 11,7 | 3,7 | G6780305510 | 5.740,84 | G6780305512 | 6.068,44 | G5780305510 | 3.854,97 | G5780305512 | 4.163,38 | E04 |
| THGT/4/8-800-6/-1,5/0,25 | 1,5 | 0,25 | 3,7 | 1,6 | G6780601500 | 4.188,51 | G6780601502 | 4.472,39 | G5780601500 | 2.516,49 | G5780601502 | 2.717,80 | E04 |
| THGT/4/8-800-6/-2,2/0,37 | 2,2 | 0,37 | 4,7 | 1,7 | G6780602200 | 4.493,05 | G6780602202 | 4.776,96 | G5780602200 | 2.802,04 | G5780602202 | 3.026,25 | E04 |
| THGT/4/8-800-6/-3/0,55 | 3 | 0,55 | 6,3 | 2,4 | G6780603000 | 4.928,16 | G6780603002 | 5.212,01 | G5780603000 | 2.976,62 | G5780603002 | 3.214,73 | E04 |
| THGT/4/8-800-6/-4/0,75 | 4 | 0,75 | 8,4 | 2,3 | G6780604000 | 5.406,76 | G6780604002 | 5.734,35 | G5780604000 | 3.523,45 | G5780604002 | 3.805,29 | E04 |
| THGT/4/8-800-6/-5,5/1,1 | 5,5 | 1,1 | 11,7 | 3,7 | G6780605510 | 5.972,37 | G6780605512 | 6.299,94 | G5780605510 | 4.035,19 | G5780605512 | 4.358,01 | E04 |
| THGT/4/8-800-6/-7,5/1,5 | 7,5 | 1,5 | 15,9 | 4,7 | G6780607510 | 6.772,98 | G6780607512 | 7.100,56 | G5780607510 | 4.594,76 | G5780607512 | 4.962,38 | E04 |

CARACTERÍSTICAS TÉCNICAS - 6/12 polos - 950/475 rpm

| Modelo | Potencia motor (kW) | | Intensidad nominal motor (A) | | Código 400°C/2h camisa corta | Precio 400°C/2h c.corta €/u. | Código 400°C/2h camisa larga | Precio 400°C/2h c.larga €/u. | Código 300°C/2h camisa corta | Precio 300°C/2h c.corta €/u. | Código 300°C/2h camisa larga | Precio 300°C/2h c.larga €/u. | Grupo producto |
|----------------------------|---------------------|------|------------------------------|------|------------------------------|------------------------------|------------------------------|------------------------------|------------------------------|------------------------------|------------------------------|------------------------------|----------------|
| | V.1 | V.2 | V.1 | V.2 | | | | | | | | | |
| THGT/6/12-560-6/-0,55/0,09 | 0,55 | 0,09 | 2,1 | 0,9 | G6956600500 | 4.049,49 | G6956600502 | 4.184,04 | G5956600500 | 1.922,14 | G5956600502 | 2.075,92 | E04 |
| THGT/6/12-630-6/-0,55/0,09 | 0,55 | 0,09 | 2,1 | 0,9 | G6963600500 | 4.218,06 | G6963600502 | 4.370,90 | G5963600500 | 2.108,28 | G5963600502 | 2.276,94 | E04 |
| THGT/6/12-630-6/-0,75/0,12 | 0,75 | 0,12 | 2,3 | 1,1 | G6963600700 | 4.300,66 | G6963600702 | 4.453,50 | G5963600700 | 2.141,52 | G5963600702 | 2.312,81 | E04 |
| THGT/6/12-710-3/-0,55/0,09 | 0,55 | 0,09 | 2,1 | 0,9 | — | — | — | — | G5971300500 | 2.236,64 | G5971300502 | 2.415,60 | E04 |
| THGT/6/12-710-3/-0,75/0,12 | 0,75 | 0,12 | 2,3 | 1,1 | — | — | — | — | G5971300700 | 2.269,90 | G5971300702 | 2.451,51 | E04 |
| THGT/6/12-710-5/-0,55/0,09 | 0,55 | 0,09 | 2,1 | 0,9 | G6971500500 | 4.500,43 | G6971500502 | 4.718,78 | — | — | — | — | E04 |
| THGT/6/12-710-5/-0,75/0,12 | 0,75 | 0,12 | 2,3 | 1,1 | G6971500700 | 4.583,04 | G6971500702 | 4.801,39 | — | — | — | — | E04 |
| THGT/6/12-710-5/-1,1/0,18 | 1,1 | 0,18 | 4,5 | 1,7 | G6971501100 | 4.638,91 | G6971501102 | 4.870,85 | — | — | — | — | E04 |
| THGT/6/12-710-6/-0,55/0,09 | 0,55 | 0,09 | 2,1 | 0,9 | — | — | — | — | G5971600500 | 2.407,88 | G5971600502 | 2.600,52 | E04 |
| THGT/6/12-710-6/-0,75/0,12 | 0,75 | 0,12 | 2,3 | 1,1 | — | — | — | — | G5971600700 | 2.441,14 | G5971600702 | 2.636,42 | E04 |
| THGT/6/12-710-6/-1,2/0,3 | 1,1 | 0,18 | 4,37 | 1,86 | — | — | — | — | G5971601100 | 2.641,46 | G5971601102 | 2.852,76 | E04 |
| THGT/6/12-710-7/-0,55/0,09 | 0,55 | 0,09 | 2,1 | 0,9 | G6971705500 | 4.549,74 | G6971705502 | 4.777,20 | — | — | — | — | E04 |
| THGT/6/12-710-7/-0,75/0,12 | 0,75 | 0,12 | 2,3 | 1,1 | G6971707500 | 4.632,33 | G6971707502 | 4.863,91 | — | — | — | — | E04 |
| THGT/6/12-710-7/-1,1/0,18 | 1,1 | 0,18 | 4,5 | 1,7 | G6971701100 | 4.688,20 | G6971701102 | 4.906,56 | — | — | — | — | E04 |
| THGT/6/12-800-3/-0,55/0,09 | 0,55 | 0,09 | 2,1 | 0,9 | G6980300500 | 4.334,21 | G6980300502 | 4.550,90 | G5980300500 | 2.333,48 | G5980300502 | 2.520,16 | E04 |
| THGT/6/12-800-3/-0,75/0,12 | 0,75 | 0,12 | 2,3 | 1,1 | G6980300700 | 4.417,42 | G6980300702 | 4.657,67 | G5980300700 | 2.389,36 | G5980300702 | 2.580,53 | E04 |
| THGT/6/12-800-3/-1,1/0,18 | 1,1 | 0,18 | 4,5 | 1,7 | G6980301100 | 4.522,58 | G6980301102 | 4.762,83 | — | — | — | — | E04 |
| THGT/6/12-800-3/-1,2/0,3 | 1,2 | 0,3 | 4,37 | 1,86 | — | — | — | — | G5980301100 | 2.600,25 | G5980301102 | 2.808,27 | E04 |
| THGT/6/12-800-3/-1,5/0,25 | 1,5 | 0,25 | 4,2 | 1,7 | G6980301500 | 4.992,48 | G6980301502 | 5.276,39 | G5980301500 | 2.706,63 | G5980301502 | 2.923,14 | E04 |
| THGT/6/12-800-6/-0,55/0,09 | 0,55 | 0,09 | 2,1 | 0,9 | G6980600500 | 4.565,73 | G6980600502 | 4.794,03 | G5980600500 | 2.513,74 | G5980600502 | 2.714,82 | E04 |
| THGT/6/12-800-6/-0,75/0,12 | 0,75 | 0,12 | 2,3 | 1,1 | G6980600700 | 4.648,94 | G6980600702 | 4.932,51 | G5980600700 | 2.569,60 | G5980600702 | 2.775,16 | E04 |
| THGT/6/12-800-6/-1,1/0,18 | 1,1 | 0,18 | 4,5 | 1,7 | G6980601100 | 4.754,12 | G6980601102 | 5.037,70 | — | — | — | — | E04 |
| THGT/6/12-800-6/-1,2/0,3 | 1,2 | 0,3 | 4,37 | 1,86 | — | — | — | — | G5980601100 | 2.780,47 | G5980601102 | 3.002,91 | E04 |
| THGT/6/12-800-6/-1,5/0,25 | 1,5 | 0,25 | 4,2 | 1,7 | G6980601500 | 5.224,03 | G6980601502 | 5.507,91 | G5980601500 | 2.884,12 | G5980601502 | 3.114,87 | E04 |
| THGT/6/12-800-6/-2,2/0,37 | 2,2 | 0,37 | 5,7 | 2,2 | G6980602200 | 5.746,13 | G6980602202 | 6.030,05 | G5980602200 | 3.143,38 | G5980602202 | 3.394,88 | E04 |
| THGT/6/12-800-9/-0,75/0,12 | 0,75 | 0,12 | 2,3 | 1,1 | G6980900700 | 4.875,78 | G6980900702 | 5.159,66 | G5980900700 | 2.820,85 | G5980900702 | 3.046,51 | E04 |
| THGT/6/12-800-9/-1,1/0,18 | 1,1 | 0,18 | 4,5 | 1,7 | G6980901100 | 4.980,96 | G6980901102 | 5.264,85 | — | — | — | — | E04 |
| THGT/6/12-800-9/-1,2/0,3 | 1,2 | 0,3 | 4,37 | 1,86 | — | — | — | — | G5980901100 | 3.013,62 | G5980901102 | 3.254,69 | E04 |
| THGT/6/12-800-9/-1,5/0,25 | 1,5 | 0,25 | 4,2 | 1,7 | G6980901500 | 5.450,89 | G6980901502 | 5.734,77 | G5980901500 | 3.106,66 | G5980901502 | 3.355,24 | E04 |
| THGT/6/12-800-9/-2,2/0,37 | 2,2 | 0,37 | 5,7 | 2,2 | G6980902200 | 5.972,99 | G6980902202 | 6.256,86 | G5980902200 | 3.365,93 | G5980902202 | 3.635,21 | E04 |
| THGT/6/12-800-9/-3/0,55 | 3 | 0,55 | 8,9 | 3,8 | G6980903000 | 7.243,46 | G6980903002 | 7.527,35 | G5980903000 | 4.163,67 | G5980903002 | 4.496,76 | E04 |
| THGT/6/12-900-3/-1,1/0,18 | 1,1 | 0,18 | 4,5 | 1,7 | G6990301100 | 5.577,38 | G6990301104 | 5.856,25 | — | — | G5990301104 | 3.094,66 | E04 |
| THGT/6/12-900-3/-1,2/0,3 | 1,2 | 0,3 | 4,37 | 1,86 | — | — | — | — | G5990301100 | 2.937,09 | — | — | E04 |
| THGT/6/12-900-3/-1,5/0,25 | 1,5 | 0,25 | 4,2 | 1,7 | G6990301500 | 5.815,76 | G6990301504 | 6.208,83 | G5990301500 | 3.061,22 | G5990301504 | 3.501,49 | E04 |
| THGT/6/12-900-6/-1,1/0,18 | 1,1 | 0,18 | 4,5 | 1,7 | G6990601100 | 5.827,30 | G6990601104 | 6.118,68 | — | — | G5990601104 | 3.285,52 | E04 |
| THGT/6/12-900-6/-1,2/0,3 | 1,2 | 0,3 | 4,37 | 1,86 | — | — | — | — | G5990601100 | 3.118,22 | — | — | E04 |
| THGT/6/12-900-6/-1,5/0,25 | 1,5 | 0,25 | 4,2 | 1,7 | G6990601500 | 6.065,66 | G6990601504 | 6.502,44 | G5990601500 | 3.242,66 | G5990601504 | 3.682,95 | E04 |
| THGT/6/12-900-6/-2,2/0,37 | 2,2 | 0,37 | 5,7 | 2,2 | G6990602200 | 6.635,27 | G6990602204 | 7.072,00 | G5990602200 | 3.722,46 | G5990602204 | 4.162,75 | E04 |
| THGT/6/12-900-6/-3/0,55 | 3 | 0,55 | 8,9 | 3,8 | G6990603000 | 8.186,62 | G6990603004 | 8.623,39 | G5990603000 | 4.494,10 | G5990603004 | 4.934,41 | E04 |
| THGT/6/12-900-9/-1,1/0,18 | 1,1 | 0,18 | 4,5 | 1,7 | G6990901100 | 6.074,75 | G6990901104 | 6.378,50 | — | — | G5990901104 | 3.469,95 | E04 |
| THGT/6/12-900-9/-1,2/0,3 | 1,2 | 0,3 | 4,37 | 1,86 | — | — | — | — | G5990901100 | 3.293,23 | — | — | E04 |
| THGT/6/12-900-9/-1,5/0,25 | 1,5 | 0,25 | 4,2 | 1,7 | G6990901500 | 6.313,10 | G6990901504 | 6.749,86 | G5990901500 | 3.417,65 | G5990901504 | 3.691,11 | E04 |
| THGT/6/12-900-9/-2,2/0,37 | 2,2 | 0,37 | 5,7 | 2,2 | G6990902200 | 6.882,71 | G6990902204 | 7.319,48 | G5990902200 | 3.897,49 | G5990902204 | 4.337,78 | E04 |
| THGT/6/12-900-9/-3/0,55 | 3 | 0,55 | 8,9 | 3,8 | G6990903000 | 8.434,07 | G6990903004 | 8.870,83 | G5990903000 | 4.669,14 | G5990903004 | 5.109,42 | E04 |
| THGT/6/12-1000-3/-1,1/0,18 | 1,1 | 0,18 | 4,5 | 1,7 | G6910301100 | 5.654,58 | G6910301104 | 5.937,30 | — | — | G5910301104 | 3.308,50 | E04 |
| THGT/6/12-1000-3/-1,2/0,3 | 1,2 | 0,3 | 4,37 | 1,86 | — | — | — | — | G5910301100 | 3.140,02 | — | — | E04 |
| THGT/6/12-1000-3/-1,5/0,25 | 1,5 | 0,25 | 4,2 | 1,7 | G6910301500 | 5.892,92 | G6910301504 | 6.373,38 | G5910301500 | 3.236,92 | G5910301504 | 3.737,93 | E04 |
| THGT/6/12-1000-3/-2,2/0,37 | 2,2 | 0,37 | 5,7 | 2,2 | G6910302200 | 6.462,51 | G6910302204 | 6.942,97 | G5910302200 | 3.698,48 | G5910302204 | 4.199,51 | E04 |
| THGT/6/12-1000-3/-3/0,55 | 3 | 0,55 | 8,9 | 3,8 | G6910303000 | 8.013,88 | G6910303004 | 8.494,35 | G5910303000 | 4.613,90 | G5910303004 | 5.114,95 | E04 |
| THGT/6/12-1000-3/-4/0,65 | 4 | 0,65 | 9,3 | 2,9 | G6910304000 | 8.298,72 | G6910304004 | 8.779,09 | G5910304000 | 4.932,99 | G5910304004 | 5.434,02 | E04 |

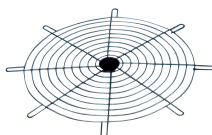
ACCESORIOS DE MONTAJE ESPECÍFICOS PARA LAS SERIES THGT Y TGT



Aros Brida



ACOPEL F400 N
Acoplamiento elástico circular desenfumage



Defensa Aspiración



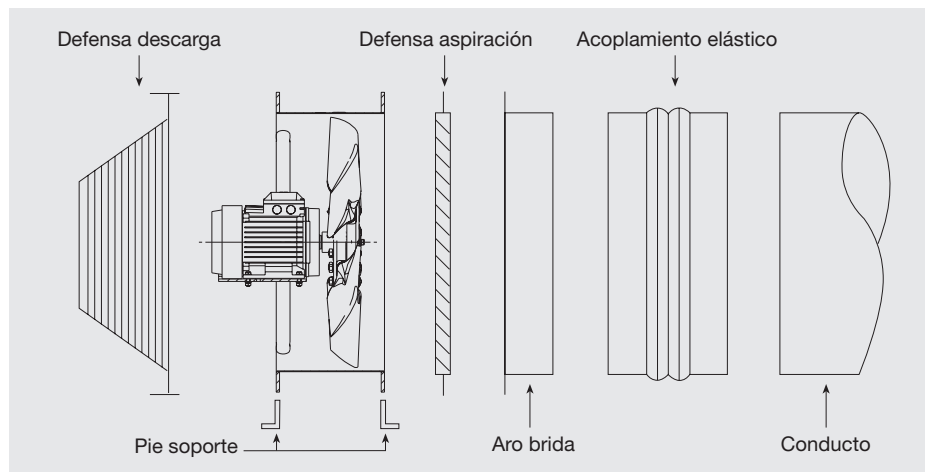
Defensa Descarga

| Código | Modelo | Grupo producto | Precio €/u. |
|---|-------------------------------------|----------------|---------------|
| Aros Brida | | | |
| 5138906000 | ARO BRIDA TGT/THGT-400 N | E01 | 74,58 |
| 5138906100 | ARO BRIDA TGT/THGT-450 N | E01 | 76,68 |
| 5138906200 | ARO BRIDA TGT/THGT-500 N | E01 | 80,36 |
| 5138906300 | ARO BRIDA TGT/THGT-560 N | E01 | 83,10 |
| 5138906400 | ARO BRIDA TGT/THGT-630 N | E01 | 85,55 |
| 5138906500 | ARO BRIDA TGT/THGT-710 N | E01 | 134,35 |
| 5138906600 | ARO BRIDA TGT/THGT-800 N | E01 | 172,12 |
| 5138906700 | ARO BRIDA TGT/THGT-900 N | E01 | 222,91 |
| 5138906800 | ARO BRIDA TGT/THGT-1000 N | E01 | 232,44 |
| 5138928900 | ARO BRIDA TGT/THGT-1120 N | E01 | 281,88 |
| 5138906900 | ARO BRIDA TGT/THGT-1250 N | E01 | 297,88 |
| 5138934900 | ARO BRIDA TGT/THGT-1400 N | E01 | 357,87 |
| 5138935000 | ARO BRIDA TGT/THGT-1600 N | E01 | 484,23 |
| Acoplamiento Elástico Circular ACOPEL F400 N (Ver códigos y precios en Accesorios Generales) | | | |
| Defensas Aspiración (lado hélice) | | | |
| 5138839700 | DEFENSA DE ASPIRACIÓN TGT/THGT-400 | E01 | 55,14 |
| 5138839600 | DEFENSA DE ASPIRACIÓN TGT/THGT-450 | E01 | 64,53 |
| 5138831200 | DEFENSA DE ASPIRACIÓN TGT/THGT-500 | E01 | 67,02 |
| 5138836100 | DEFENSA DE ASPIRACIÓN TGT/THGT-560 | E01 | 75,45 |
| 5138832000 | DEFENSA DE ASPIRACIÓN TGT/THGT-630 | E01 | 90,74 |
| 5138832100 | DEFENSA DE ASPIRACIÓN TGT/THGT-710 | E01 | 106,66 |
| 5138833800 | DEFENSA DE ASPIRACIÓN TGT/THGT-800 | E01 | 114,57 |
| 5138838700 | DEFENSA DE ASPIRACIÓN TGT/THGT-900 | E01 | 135,20 |
| 5138834600 | DEFENSA DE ASPIRACIÓN TGT/THGT-1000 | E01 | 167,97 |
| 5138929100 | DEFENSA DE ASPIRACIÓN TGT/THGT-1120 | E01 | 262,18 |
| 5138835300 | DEFENSA DE ASPIRACIÓN TGT/THGT-1250 | E01 | 285,10 |
| 5138839500 | DEFENSA DE ASPIRACIÓN TGT/THGT-1400 | E01 | 299,34 |
| 5138929500 | DEFENSA DE ASPIRACIÓN TGT/THGT-1600 | E01 | 355,24 |
| Defensas Descarga (lado motor) | | | |
| 5138824800 | DEFENSA DE DESCARGA TGT/THGT-400 | E01 | 114,92 |
| 5138824900 | DEFENSA DE DESCARGA TGT/THGT-450 | E01 | 118,63 |
| 5138824700 | DEFENSA DE DESCARGA TGT/THGT-500 | E01 | 123,52 |
| 5120642300 | DEFENSA DE DESCARGA TGT/THGT-560 | E01 | 136,05 |
| 5138825400 | DEFENSA DE DESCARGA TGT/THGT-630 | E01 | 140,92 |
| 5138830400 | DEFENSA DE DESCARGA TGT/THGT-710 | E01 | 170,38 |
| 5138826200 | DEFENSA DE DESCARGA TGT/THGT-800 | E01 | 185,72 |
| 5138837900 | DEFENSA DE DESCARGA TGT/THGT-900 | E01 | 246,82 |
| 5138827000 | DEFENSA DE DESCARGA TGT/THGT-1000 | E01 | 258,64 |
| 5138929700 | DEFENSA DE DESCARGA TGT/THGT-1120 | E01 | 393,39 |
| 5138828800 | DEFENSA DE DESCARGA TGT/THGT-1250 | E01 | 400,53 |
| 5138823900 | DEFENSA DE DESCARGA TGT/THGT-1400 | E01 | 434,05 |
| 5138929600 | DEFENSA DE DESCARGA TGT/THGT-1600 | E01 | 515,09 |

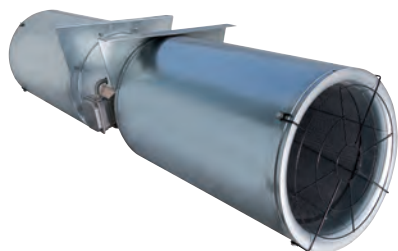


Pie Soporte

| Código | Modelo | Grupo producto | Precio €/u. |
|---------------------------------------|-----------------------------|----------------|---------------|
| Juego Pies Soporte montaje Horizontal | | | |
| 5138902900 | PIE SOPORTE TGT/THGT-400 | E01 | 67,77 |
| 5138880900 | PIE SOPORTE TGT/THGT-450 | E01 | 69,67 |
| 5138804900 | PIE SOPORTE TGT/THGT-500 | E01 | 72,07 |
| 5138879100 | PIE SOPORTE TGT/THGT-560 | E01 | 75,49 |
| 5138877500 | PIE SOPORTE TGT/THGT-630 | E01 | 92,10 |
| 5120704100 | PIE SOPORTE TGT/THGT-710 | E01 | 150,71 |
| 5138878300 | PIE SOPORTE TGT/THGT-800 | E01 | 205,95 |
| 5120703300 | PIE SOPORTE TGT/THGT-900 | E01 | 314,49 |
| 5138806400 | PIE SOPORTE TGT/THGT-1000 | E01 | 336,15 |
| 5138929200 | PIE SOPORTE TGT/THGT-1120 | E01 | 404,51 |
| 5138807200 | PIE SOPORTE TGT/THGT-1250 | E01 | 417,56 |
| 5138808000 | PIE SOPORTE TGT/THGT-1400 | E01 | 438,42 |
| 5138808100 | PIE SOPORTE TGT/THGT-1600 | E01 | 460,37 |
| Juego Pies Soporte montaje Vertical | | | |
| 5138902800 | PIE SOPORTE TGT/THGT-400 V | E01 | 77,92 |
| 5138902700 | PIE SOPORTE TGT/THGT-450 V | E01 | 80,13 |
| 5138902600 | PIE SOPORTE TGT/THGT-500 V | E01 | 82,88 |
| 5138902500 | PIE SOPORTE TGT/THGT-560 V | E01 | 86,83 |
| 5138888200 | PIE SOPORTE TGT/THGT-630 V | E01 | 105,94 |
| 5138883300 | PIE SOPORTE TGT/THGT-710 V | E01 | 173,29 |
| 5138889000 | PIE SOPORTE TGT/THGT-800 V | E01 | 236,82 |
| 5138889100 | PIE SOPORTE TGT/THGT-900 V | E01 | 361,70 |
| 5138881700 | PIE SOPORTE TGT/THGT-1000 V | E01 | 386,55 |
| 5138929300 | PIE SOPORTE TGT/THGT-1120 V | E01 | 465,16 |
| 5138902400 | PIE SOPORTE TGT/THGT-1250 V | E01 | 480,18 |
| 5138935100 | PIE SOPORTE TGT/THGT-1400 V | E01 | 504,19 |
| 5138935200 | PIE SOPORTE TGT/THGT-1600 V | E01 | 529,41 |



Serie TJHT-TJHU



Ventiladores helicoidales tubulares de impulso, Jet Fans, desenfumage, para mover grandes volúmenes de aire en aparcamientos, túneles y todo tipo de grandes espacios. Capacitados para trabajar inmersos a 400°C/2h y 300°C/2h.
Modelos TJHT: reversibles
Modelos TJHU: unidireccionales

Descripción

Diámetros:
Serie TJHT, de 315 a 630mm.
Serie TJHU, de 315 a 400mm.
Hélice reversible (TJHT) de 6 palas, o unidireccional (TJHU) de 7 palas.
Hélice de aleación de aluminio según EN 1706, equilibrada según ISO 14694: G 6.3.
Camisa y 2 pies soporte de acero, según EN 10130-99, galvanizados en caliente según EN 1461: 1999.
Caja de conexiones exterior.
Dos silenciadores circulares de chapa de acero galvanizado.
Rejilla de protección en aspiración y descarga.
Ventilador homologado según norma EN12101-3.
Para el transporte, hasta el diámetro 400, el ventilador se entrega montado. Para los diámetros del 450 al 630, el ventilador puede ser entregado en 3 partes.

Motores

Serie TJHT: IEC, del 80 al 160, trifásico 400V/50Hz, IP55, Clase H, 400°C/2h y 300°C/2h.
Serie TJHU: IEC, del 80 al 90, trifásico 400V/50Hz, IP55, Clase H, 400°C/2h y 300°C/2h.
Dos velocidades 2/4 polos, conexión tipo Dahlander.
Temperatura ambiental de trabajo: -20°C a +40°C.

Bajo pedido

Motor de una velocidad, 2 polos.
Defensa en impulsión y deflector de descarga para caudal unidireccional.
Deflector en impulsión y descarga para caudal bidireccional (hélice reversible).
En sustitución de la caja de conexiones, interruptor de seguridad paro-marcha IP65, instalado de fábrica o como accesorio.
Pinturas externas RAL.

Aplicaciones específicas

| | | | |
|--|--|-----------------|----------------|
| | | | |
| Homologados según norma EN12101-3. Certificaciones nº 0370-CPD-0672 0370-CPD-1481 | Homologados según norma EN12101-3. Certificaciones nº 0370-CPD-0673 0370-CPD-1422 | Parkings | Túneles |

Es imprescindible comprobar que las características eléctricas (voltaje, intensidad, frecuencia, etc) del motor que aparecen en la placa del mismo son compatibles con las de la instalación.

| Modelo | Velocidad (r.p.m.) | Empuje (N) | Caudal (m³/h) | Velocidad (m/s) | Potencia motor* (kW) | Intensidad máxima absorbida (A) | Nivel presión sonora** (LpA) | | Peso (kg) |
|--|--------------------|------------|---------------|-----------------|----------------------|---------------------------------|------------------------------|------------|-----------|
| | | | | | | | Flujo A*** | Flujo B*** | |
| TJHT REVERSIBLE - 1 velocidad 2 POLOS | | | | | | | | | |
| TJHT/2-315-CN | 2790 | 24 | 4.500 | 16 | 0,75 | 1,6 | 64 | 64 | 57 |
| TJHT/2-355-CN | 2810 | 40 | 6.500 | 18 | 1,1 | 2,3 | 67 | 66 | 76 |
| TJHT/2-400-CN | 2870 | 60 | 9.000 | 20 | 1,5 | 4,2 | 71 | 69 | 89 |
| TJHT/2-450-C | 2840 | 85 | 12.100 | 21 | 2,2 | 4,5 | 75 | 72 | 133 |
| TJHT/2-500-C | 2890 | 144 | 17.500 | 25 | 4 | 7,5 | 78 | 75 | 165 |
| TJHT/2-560-C | 2925 | 235 | 25.000 | 28 | 7,5 | 13,6 | 82 | 78 | 220 |
| TJHT/2-630-C | 2945 | 387 | 36.100 | 33 | 15,00 | 27 | 87 | 82 | 290 |
| TJHT REVERSIBLE - 2 velocidades 2/4 POLOS | | | | | | | | | |
| TJHT/2/4-315-CN | 2820/1400 | 24 | 4.500 | 16 | 0,8/0,2 | 1,9/0,6 | 64/49 | 64/49 | 57 |
| TJHT/2/4-355-CN | 2810/1390 | 40 | 6.500 | 18 | 1,1/0,25 | 2,4/0,75 | 67/52 | 66/51 | 76 |
| TJHT/2/4-400-CN | 2900/1435 | 60 | 9.000 | 20 | 1,5/0,37 | 4,2/1,3 | 71/56 | 69/54 | 89 |
| TJHT/2/4-450-C | 2845/1420 | 85 | 12.100 | 21 | 2,2/0,5 | 4,6/1,5 | 75/60 | 72/57 | 134 |
| TJHT/2/4-500-C | 2890/1440 | 144 | 17.500 | 25 | 4,4/1,1 | 8,6/2,8 | 78/63 | 75/60 | 166 |
| TJHT/2/4-560-C | 2930/1470 | 235 | 25.000 | 28 | 8/2 | 15,3/4,8 | 82/67 | 78/63 | 223 |
| TJHT/2/4-630-C | 2950/1470 | 387 | 36.100 | 33 | 16/4 | 30,5/9,6 | 87/72 | 82/67 | 311 |
| TJHU UNIDIRECCIONAL - 1 velocidad 2 POLOS | | | | | | | | | |
| TJHU/2-315-BC | 2790 | 25 | 4.600 | 16 | 0,75 | 1,6 | - | 62 | 56 |
| TJHU/2-355-BC | 2810 | 43 | 6.800 | 19 | 1,1 | 2,3 | - | 66 | 75 |
| TJHU/2-400-BC | 2870 | 68 | 9.700 | 21 | 1,5 | 3 | - | 70 | 88 |
| TJHU UNIDIRECCIONAL - 2 velocidades 2/4 POLOS | | | | | | | | | |
| TJHU/2/4-315-BC | 2820/1400 | 25 | 4.600 | 16 | 0,8/0,2 | 1,9/0,6 | - | 62/46 | 56 |
| TJHU/2/4-355-BC | 2810/1390 | 43 | 6.800 | 19 | 1,1/0,25 | 2,4/0,75 | - | 66/49 | 75 |
| TJHU/2/4-400-BC | 2900/1435 | 68 | 9.700 | 21 | 1,5/0,37 | 3,5/1,3 | - | 70/55 | 88 |

* En los modelos de 2 velocidades, las potencias nominales pueden tener ligeras variaciones según el fabricante de motores.

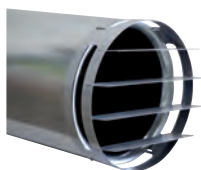
** Medida a 3 metros en campo libre.

*** Flujo A: Motor-hélice / Flujo B: Hélice-Motor (unidireccional) para TJHT. TJHU sólo Flujo B.

| Código | Modelos | Grupo producto | Precio €/u. |
|--------------------------------|----------------------|----------------|------------------|
| REVERSIBLES - F400 - 2 polos | | | |
| 5156326200 | TJHT/2-315-CN F400 | E01 | 2.861,49 |
| 5156326500 | TJHT/2-355-CN F400 | E01 | 3.114,23 |
| 5156326800 | TJHT/2-400-CN F400 | E01 | 4.165,41 |
| 5150738300 | TJHT/2-450-C F400 | E01 | 4.765,12 |
| 5156575300 | TJHT/2-500-C F400 | E01 | 5.594,57 |
| 5150738500 | TJHT/2-560-C F400 | E01 | 6.628,72 |
| 5150738600 | TJHT/2-630-C F400 | E01 | 8.678,14 |
| REVERSIBLES - F400 - 2/4 polos | | | |
| 5156328000 | TJHT/2/4-315-CN F400 | E01 | 3.275,23 |
| 5156328300 | TJHT/2/4-355-CN F400 | E01 | 3.520,21 |
| 5156328700 | TJHT/2/4-400-CN F400 | E01 | 4.572,25 |
| 5150738800 | TJHT/2/4-450-C F400 | E01 | 5.211,59 |
| 5156575500 | TJHT/2/4-500-C F400 | E01 | 6.777,35 |
| 5150739000 | TJHT/2/4-560-C F400 | E01 | 8.021,17 |
| 5150739100 | TJHT/2/4-630-C F400 | E01 | 10.855,04 |
| REVERSIBLES - F300 - 2 polos | | | |
| 5156326100 | TJHT/2-315-CN F300 | E01 | 2.735,57 |
| 5156326400 | TJHT/2-355-CN F300 | E01 | 2.938,56 |
| 5156326700 | TJHT/2-400-CN F300 | E01 | 3.613,41 |
| 5159031400 | TJHT/2-450-C F300 | E01 | 4.086,19 |
| 5156050400 | TJHT/2-500-C F300 | E01 | 5.052,54 |
| 5156050500 | TJHT/2-560-C F300 | E01 | 6.297,27 |
| 5156050600 | TJHT/2-630-C F300 | E01 | 8.215,49 |
| REVERSIBLES - F300 - 2/4 polos | | | |
| 5156327900 | TJHT/2/4-315-CN F300 | E01 | 2.849,53 |
| 5156328200 | TJHT/2/4-355-CN F300 | E01 | 3.061,01 |
| 5156328600 | TJHT/2/4-400-CN F300 | E01 | 3.763,95 |
| 5150983200 | TJHT/2/4-450-C F300 | E01 | 4.362,83 |
| 5159031900 | TJHT/2/4-500-C F300 | E01 | 5.134,70 |
| 5156575400 | TJHT/2/4-560-C F300 | E01 | 6.549,18 |
| 5156050900 | TJHT/2/4-630-C F300 | E01 | 8.557,81 |

| Código | Modelos | Grupo producto | Precio €/u. |
|-------------------------------------|----------------------|----------------|-----------------|
| UNIDIRECCIONALES - F400 - 2 polos | | | |
| 5156207500 | TJHU/2-315-BC F400 | E01 | 2.841,52 |
| 5156207600 | TJHU/2-355-BC F400 | E01 | 2.995,84 |
| 5156207700 | TJHU/2-400-BC F400 | E01 | 3.460,33 |
| UNIDIRECCIONALES - F400 - 2/4 polos | | | |
| 5156206600 | TJHU/2/4-315-BC F400 | E01 | 3.158,16 |
| 5156206700 | TJHU/2/4-355-BC F400 | E01 | 3.285,84 |
| 5156206800 | TJHU/2/4-400-BC F400 | E01 | 3.867,16 |
| UNIDIRECCIONALES - F300 - 2 polos | | | |
| 5156207200 | TJHU/2-315-BC F300 | E01 | 2.488,10 |
| 5156207300 | TJHU/2-355-BC F300 | E01 | 2.683,39 |
| 5156207400 | TJHU/2-400-BC F300 | E01 | 2.978,68 |
| UNIDIRECCIONALES - F300 - 2/4 polos | | | |
| 5156190200 | TJHU/2/4-315-BC F300 | E01 | 2.568,32 |
| 5156158100 | TJHU/2/4-355-BC F300 | E01 | 2.763,63 |
| 5156202400 | TJHU/2/4-400-BC F300 | E01 | 3.058,89 |

ACCESORIOS ESPECÍFICOS PARA SERIES JET FAN HELICOIDALES

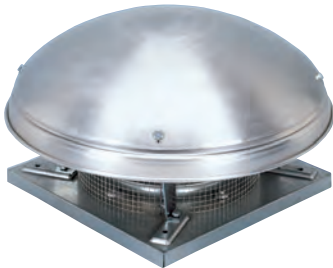


Deflectores opcionales para orientar el flujo de aire, instalados sólo en descarga (unidireccionales) o bien en impulsión y descarga (reversibles).

| Código | Modelos | Grupo producto | Precio €/u. |
|------------|-----------------------|----------------|---------------|
| 5416786200 | DEFLECTOR JET-FAN 315 | E01 | 154,02 |
| 5416786300 | DEFLECTOR JET-FAN 355 | E01 | 157,74 |
| 5416786400 | DEFLECTOR JET-FAN 400 | E01 | 161,95 |
| 5416777700 | DEFLECTOR JET-FAN 450 | E01 | 165,20 |
| 5416773400 | DEFLECTOR JET-FAN 500 | E01 | 169,07 |
| 5416773500 | DEFLECTOR JET-FAN 560 | E01 | 178,19 |
| 5416773600 | DEFLECTOR JET-FAN 630 | E01 | 174,90 |

Serie MAX-TEMP CTHB-N/CTHT-N - CTVB-N/CTVT-N

**DESCARGA HORIZONTAL
(modelos CTHB-N/CTHT-N)**



**DESCARGA VERTICAL
(modelos CTVB-N/CTVT-N)**



Configuración modelos verticales
180 a 400



Configuración modelos verticales
450 a 710

Gama de ventiladores centrífugos de tejado de descarga horizontal, diseñada para extracción de humo en caso de incendio y certificada F400-120 (1). Capacitados para trasegar aire hasta 120°C en continuo.

- Faldón fabricado en chapa de acero galvanizado
 - Turbina centrífuga de álabes hacia atrás de alto rendimiento fabricada en chapa de acero galvanizado.
 - Cubierta fabricada en chapa de aluminio repulsado.
 - Todos los modelos incorporan una reja de protección antipájaros
 - Disponible, según modelo, en 4, 6 o 4/8 polos.
- (1) Excepto modelos 180 y 200

Motores

Modelos de 180N a 400N

- Motor monofásico de una velocidad 220-240V50Hz, IP55, Clase F, con protección térmica*. Velocidad regulable por variación de tensión**.
- Motor trifásico de una velocidad 220-240/400-415V50Hz, IP55, Clase F, con protección térmica*. Velocidad regulable por convertidor de frecuencia y por variación de tensión**.
- Motor trifásico de 2 velocidades 380-415V50Hz, 4/8 polos, IP55, Clase F, con protección térmica*.

Modelos de 450N a 630N

- Motor trifásico de una velocidad 220-240/400-415V50Hz, IP55, Clase F. Velocidad regulable por convertidor de frecuencia*.
- Motor trifásico de 2 velocidades 380-415V50Hz, 4/8 polos (solo 450N), IP55, Clase F.

Modelos 630H, 710N y 710H

- Motor trifásico de una velocidad 400-415V-50Hz, IP55, Clase F.
- Velocidad regulable por convertidor de frecuencia*.

* Cuando se conectan las protecciones térmicas, la instalación eléctrica debe estar dotada de un sistema de seguridad que, en caso de incendio, permita la máxima velocidad de los ventiladores sea cual sea el estado actual de la protección térmica.

** Cuando se utilice un regulador de velocidad, la instalación eléctrica debe estar equipada con un sistema de seguridad que permita, en caso de incendio, la velocidad máxima de los ventiladores.

Otros datos

Los modelos 180N, 200N y 225N están especialmente diseñados para la extracción de humos de chimeneas.

Aplicaciones específicas



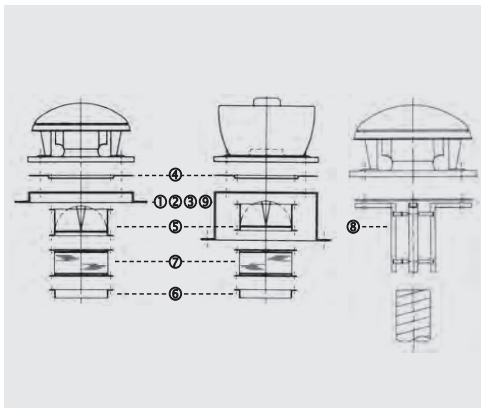
Homologación según norma EN12101-3
Certificación nº 0370-CPD-0347

Aplicaciones específicas adicionales para los modelos 180N, 200N y 225N



INSTALACIÓN ACCESORIOS DE MONTAJE SERIE MAX-TEMP (CTHB-N/CTHT-N - CTVB-N/CTVT-N)

(Ver códigos y precios en Accesorios Generales)



| Modelo de extractor | ① Marco soporte | ② Base soporte aislada | ③ Base atenuadora acústica | ④ Placa de adaptación | ⑤ Compuerta antirretorno | ⑥ Brida | ⑦ Acoplamiento elástico | ⑧ Adaptación circular | ⑨ Base soporte cubiertas inclinadas |
|---------------------|-----------------|------------------------|----------------------------|-----------------------|--------------------------|------------|-------------------------|-----------------------|-------------------------------------|
| 180N | JMS-300 | JBS-300 | JAA-300 | JPA-300 | JCA-300 | JBR-300N | JAE-300N | JCC-300 | BI-3 |
| 200N | JMS-435 | JBS-435 | JAA-435 | JPA-435 | JCA-435 | JBR-435N | JAE-435N | JCC-435 | BI-4 |
| 225N | JMS-435 | JBS-435 | JAA-435 | JPA-435 | JCA-435 | JBR-435N | JAE-435N | JCC-435 | BI-4 |
| 250N | JMS-560 | JBS-560 | JAA-560 | JPA-560 | JCA-560N | JBR-560N | JAE-560N | JCC-560 | BI-5 |
| 315N | JMS-560 | JBS-560 | JAA-560 | JPA-560 | JCA-560N | JBR-560N | JAE-560N | JCC-560 | BI-5 |
| 400N | JMS-630 | JBS-630 | JAA-630 | JPA-630 | JCA-630N | JBR-630N | JAE-630N | JCC-630 | BI-6 |
| 450N | JMS-710 | JBS-710 | JAA-710 | JPA-710 | JCA-710 N | JBR-710 N | JAE-710 N | - | BI-7 |
| 500N 560N | JMS-905 | JBS-905 | JAA-905 | JPA-905 | JCA-905 N | JBR-905 N | JAE-905 N | - | BI-9 |
| 630N 710N | JMS-1100 | JBS-1100 | JAA-1100 | JPA-1100 | JCA-1100 N | JBR-1100 N | JAE-1100 N | - | BI-11 |

MODELOS DESCARGA HORIZONTAL

Es imprescindible comprobar que las características eléctricas (voltaje, intensidad, frecuencia, etc) del motor que aparecen en la placa del mismo son compatibles con las de la instalación.

| Código | Modelo | Velocidades (r.p.m.) | Potencia absorbida máxima (W) | Intensidad máxima (A) (a 230V)** | Caudal máximo (m³/h) | Nivel de presión sonora (dB(A)) | | Peso (kg) | Regulador de velocidad opcional | | Grupo producto | Precio €/u. |
|--------|--------|----------------------|-------------------------------|----------------------------------|----------------------|---------------------------------|----------|-----------|---------------------------------|-----|----------------|-------------|
| | | | | | | Aspiración | Descarga | | REB | RMB | | |

MONOFÁSICOS 4 POLOS

| | | | | | | | | | | | | |
|------------|-------------|------|------|-----------|-------|----|----|------|----------|---------|-----|----------|
| 5136063600 | CTHB/4-180N | 1290 | 65 | 0,3 [0,3] | 900 | 44 | 48 | 10,8 | REB-1N | RMB-1,5 | E05 | 845,93 |
| 5136065100 | CTHB/4-200N | 1410 | 87 | 0,4 [0,5] | 1.260 | 48 | 53 | 18 | REB-1N | RMB-1,6 | E05 | 1.069,88 |
| 5136923600 | CTHB/4-225N | 1410 | 163 | 0,7 [1] | 2.000 | 51 | 56 | 20 | REB-2,5N | RMB-1,7 | E05 | 1.273,05 |
| 5136070100 | CTHB/4-250N | 1400 | 295 | 1,3 [1,6] | 2.750 | 52 | 58 | 32 | REB-2,5N | RMB-3,5 | E05 | 1.488,52 |
| 5136075100 | CTHB/4-315N | 1410 | 583 | 2,6 [3,2] | 4.440 | 60 | 65 | 35 | REB-5 | RMB-3,5 | E05 | 1.694,24 |
| 5136926600 | CTHB/4-400N | 1410 | 1168 | 5,1 [6,5] | 7.120 | 66 | 73 | 51,5 | REB-10 | RMB-8 | E05 | 2.114,02 |

MONOFÁSICOS 6 POLOS

| | | | | | | | | | | | | |
|------------|-------------|-----|-----|-----------|-------|----|----|------|----------|---------|-----|----------|
| 5136065300 | CTHB/6-200N | 920 | 34 | 0,1 [0,2] | 820 | 38 | 42 | 17,5 | REB-1N | RMB-1,5 | E05 | 1.050,07 |
| 5136923800 | CTHB/6-225N | 900 | 61 | 0,3 [0,3] | 1.330 | 40 | 43 | 22,5 | REB-1N | RMB-1,5 | E05 | 1.252,85 |
| 5136070300 | CTHB/6-250N | 900 | 91 | 0,4 [0,4] | 1.770 | 42 | 47 | 30,5 | REB-1N | RMB-1,5 | E05 | 1.466,16 |
| 5136075300 | CTHB/6-315N | 900 | 179 | 0,8 [0,8] | 2.900 | 49 | 53 | 33 | REB-1N | RMB-1,5 | E05 | 1.672,74 |
| 5136926800 | CTHB/6-400N | 920 | 353 | 1,6 [1,8] | 4.640 | 55 | 61 | 46 | REB-2,5N | RMB-3,5 | E05 | 2.047,46 |

* Nivel de presión sonora medido a 3 m en propagación hemisférica, en el punto de trabajo 2 de la curva de rendimiento.

** (Entre paréntesis): corriente máxima cuando la velocidad está controlada por tensión.

| Código | Modelo | Velocidades (r.p.m.) | Potencia absorbida máxima (W) | Intensidad máxima (A)** | | Caudal máximo (m³/h) | Nivel de presión sonora* (dB(A)) | | Peso (kg) | Variador de frecuencia opcional | | | | Grupo producto | Precio €/u. | | |
|--------|--------|----------------------|-------------------------------|-------------------------|--------|----------------------|----------------------------------|--------|-----------|---------------------------------|--|------|--|----------------|-------------|------|--|
| | | | | a 230V | a 400V | | Aspiración | | | Descarga | | VFKB | | | | VFTM | |
| | | | | 1-230V | 3-400V | | 1-230V | 3-400V | | | | | | | | | |

TRIFÁSICOS 4 POLOS

| | | | | | | | | | | | | | | | |
|------------|-------------|------|------|-----|-----|--------|----|----|----|---------|---------|-----------|----------|-----|----------|
| 5136063500 | CTHT/4-180N | 1280 | 60 | 0,2 | 0,1 | 890 | 44 | 48 | 11 | VFKB 24 | VFKB 45 | MONO 0,18 | TRI 0,37 | E05 | 835,84 |
| 5136065000 | CTHT/4-200N | 1400 | 84 | 0,3 | 0,2 | 1.250 | 48 | 52 | 18 | VFKB 24 | VFKB 45 | MONO 0,18 | TRI 0,37 | E05 | 1.060,05 |
| 5136923500 | CTHT/4-225N | 1400 | 163 | 0,5 | 0,3 | 2.010 | 51 | 55 | 19 | VFKB 24 | VFKB 45 | MONO 0,18 | TRI 0,37 | E05 | 1.264,82 |
| 5136070000 | CTHT/4-250N | 1370 | 279 | 1,0 | 0,6 | 2.710 | 52 | 58 | 32 | VFKB 24 | VFKB 45 | MONO 0,18 | TRI 0,37 | E05 | 1.478,72 |
| 5136075000 | CTHT/4-315N | 1400 | 548 | 1,9 | 1,1 | 4.490 | 60 | 65 | 33 | VFKB 24 | VFKB 45 | MONO 0,37 | TRI 0,37 | E05 | 1.683,33 |
| 5136926500 | CTHT/4-400N | 1430 | 1126 | 4,2 | 2,4 | 7.120 | 65 | 73 | 50 | VFKB 27 | VFKB 45 | MONO 0,75 | TRI 1,1 | E05 | 2.102,18 |
| 5136012400 | CTHT/4-450N | 1460 | 2113 | 7,5 | 4,3 | 10.180 | 66 | 72 | 86 | - | VFKB 45 | MONO 1,5 | TRI 2,2 | E05 | 3.325,02 |

TRIFÁSICOS 6 POLOS

| | | | | | | | | | | | | | | | |
|------------|-------------|-----|------|------|------|--------|----|----|-----|---------|---------|-----------|----------|-----|----------|
| 5136065200 | CTHT/6-200N | 880 | 32 | 0,2 | 0,1 | 800 | 37 | 41 | 18 | VFKB 24 | VFKB 45 | MONO 0,18 | TRI 0,37 | E05 | 1.041,54 |
| 5136923700 | CTHT/6-225N | 910 | 62 | 0,2 | 0,1 | 1.310 | 40 | 43 | 20 | VFKB 24 | VFKB 45 | MONO 0,18 | TRI 0,37 | E05 | 1.243,22 |
| 5136070200 | CTHT/6-250N | 880 | 89 | 0,3 | 0,2 | 1.760 | 41 | 46 | 31 | VFKB 24 | VFKB 45 | MONO 0,18 | TRI 0,37 | E05 | 1.455,39 |
| 5136075200 | CTHT/6-315N | 910 | 180 | 0,7 | 0,4 | 2.890 | 49 | 53 | 35 | VFKB 24 | VFKB 45 | MONO 0,18 | TRI 0,37 | E05 | 1.662,37 |
| 5136926700 | CTHT/6-400N | 930 | 344 | 1,4 | 0,8 | 4.770 | 55 | 61 | 44 | VFKB 24 | VFKB 45 | MONO 0,18 | TRI 0,37 | E05 | 2.036,80 |
| 5136012500 | CTHT/6-450N | 970 | 722 | 3,1 | 1,8 | 6.830 | 56 | 62 | 78 | VFKB 24 | VFKB 45 | MONO 0,37 | TRI 0,75 | E05 | 3.245,59 |
| 5136012600 | CTHT/6-500N | 950 | 1546 | 5,4 | 3,1 | 11.590 | 60 | 66 | 115 | VFKB 27 | VFKB 45 | MONO 1,1 | TRI 1,5 | E05 | 3.998,89 |
| 5136012700 | CTHT/6-560N | 970 | 2653 | 9,2 | 5,3 | 16.360 | 64 | 69 | 139 | - | VFKB 48 | MONO 2,2 | TRI 2,2 | E05 | 4.729,13 |
| 5136012800 | CTHT/6-630N | 970 | 4441 | 14,3 | 8,2 | 22.740 | 67 | 73 | 197 | - | VFKB 48 | - | TRI 4 | E05 | 5.396,99 |
| 5136022100 | CTHT/6-630H | 970 | 6259 | - | 12,6 | 31.090 | 70 | 77 | 210 | - | - | - | TRI 5,5 | E05 | 5.987,98 |
| 5136012900 | CTHT/6-710N | 970 | 7641 | - | 14,2 | 30.240 | 71 | 76 | 247 | - | - | - | TRI 7,5 | E05 | 6.352,01 |
| 5136055100 | CTHT/6-710H | 980 | 8848 | - | 15,8 | 38.120 | 72 | 78 | 310 | - | - | - | TRI 7,5 | E05 | 6.827,82 |

* Nivel de presión sonora medido a 3 m en propagación hemisférica, en el punto de trabajo 2 de la curva de rendimiento.

** A 50 Hz sin VSD.

| Código | Modelo | Velocidades (r.p.m.) | | Potencia absorbida máxima (W) | | Intensidad absorbida máxima (400V) (A) | | Caudal máximo (m³/h) | | Nivel de presión sonora* (dB(A)) | | | | Peso (kg) | Interruptor opcional | Grupo producto | Precio €/u. |
|--------|--------|----------------------|-----------|-------------------------------|-----------|--|-----------|----------------------|-----------|----------------------------------|-----------|-----------|-----------|-----------|----------------------|----------------|-------------|
| | | Vel. Alta | Vel. Baja | Vel. Alta | Vel. Baja | Vel. Alta | Vel. Baja | Vel. Alta | Vel. Baja | Aspiración | | Descarga | | | | | |
| | | Vel. Alta | Vel. Baja | Vel. Alta | Vel. Baja | Vel. Alta | Vel. Baja | Vel. Alta | Vel. Baja | Vel. Alta | Vel. Baja | Vel. Alta | Vel. Baja | | | | |

TRIFÁSICOS 4/8 POLOS

| | | | | | | | | | | | | | | | | | |
|------------|---------------|------|-----|------|-----|-----|-----|--------|-------|----|----|----|----|----|-----------------|-----|----------|
| 5136923900 | CTHT/4/8-225N | 1380 | 710 | 163 | 79 | 0,3 | 0,2 | 1.950 | 1.000 | 51 | 36 | 55 | 40 | 19 | - | E05 | 1.454,55 |
| 5136070400 | CTHT/4/8-250N | 1370 | 720 | 280 | 145 | 0,6 | 0,4 | 2.750 | 1.390 | 52 | 38 | 58 | 44 | 32 | - | E05 | 1.621,82 |
| 5136075400 | CTHT/4/8-315N | 1350 | 710 | 497 | 181 | 0,9 | 0,6 | 4.330 | 2.160 | 59 | 46 | 64 | 51 | 33 | DEMZ 1/1,3 DA | E05 | 1.885,83 |
| 5136006700 | CTHT/4/8-400N | 1380 | 720 | 1082 | 323 | 1,8 | 1,0 | 7.160 | 3.450 | 64 | 50 | 72 | 59 | 50 | DEMZ 1,3/3,1 DA | E05 | 2.354,96 |
| 5136013700 | CTHT/4/8-450N | 1470 | 710 | 2335 | 379 | 4,8 | 1,7 | 10.223 | 4.938 | 66 | 50 | 72 | 56 | 86 | DEMZ 2,3/5,7 DA | E05 | 3.799,01 |

* Nivel de presión sonora medido a 3 m en propagación hemisférica, en el punto de trabajo 2 de la curva de rendimiento

MODELOS DESCARGA VERTICAL

Es imprescindible comprobar que las características eléctricas (voltaje, intensidad, frecuencia, etc) del motor que aparecen en la placa del mismo son compatibles con las de la instalación.

| Código | Modelo | Velocidades (r.p.m.) | Potencia absorbida máxima (W) | Intensidad máxima (A) (a 230V)** | Caudal máximo (m³/h) | Nivel de presión sonora (dB(A)) | | Peso (kg) | Regulador de velocidad opcional | | Grupo producto | Precio €/u. |
|--------|--------|----------------------|-------------------------------|----------------------------------|----------------------|---------------------------------|----------|-----------|---------------------------------|-----|----------------|-------------|
| | | | | | | Aspiración | Descarga | | REB | RMB | | |

MONOFÁSICOS 4 POLOS

| | | | | | | | | | | | | |
|------------|-------------|------|------|-----------|-------|----|----|------|----------|---------|-----|-----------------|
| 5136063100 | CTVB/4-180N | 1310 | 73 | 0,3 [0,3] | 870 | 45 | 49 | 11,7 | REB-1N | RMB-1,5 | E05 | 1.098,70 |
| 5136064600 | CTVB/4-200N | 1410 | 89 | 0,4 [0,5] | 1.260 | 48 | 51 | 19,5 | REB-1N | RMB-1,6 | E05 | 1.355,38 |
| 5136923100 | CTVB/4-225N | 1400 | 166 | 0,7 [0,9] | 1.910 | 53 | 57 | 19 | REB-2,5N | RMB-1,7 | E05 | 1.537,79 |
| 5136069600 | CTVB/4-250N | 1390 | 299 | 1,3 [1,6] | 2.690 | 55 | 58 | 35,5 | REB-2,5N | RMB-3,5 | E05 | 1.847,51 |
| 5136074600 | CTVB/4-315N | 1410 | 587 | 2,7 [3,4] | 4.340 | 59 | 62 | 35,5 | REB-5 | RMB-3,5 | E05 | 2.034,76 |
| 5136926100 | CTVB/4-400N | 1420 | 1170 | 5,1 [6] | 6.700 | 65 | 69 | 53 | REB-10 | RMB-8 | E05 | 3.059,72 |

MONOFÁSICOS 6 POLOS

| | | | | | | | | | | | | |
|------------|-------------|-----|-----|-----------|-------|----|----|------|----------|---------|-----|-----------------|
| 5136064800 | CTVB/6-200N | 920 | 34 | 0,2 [0,2] | 810 | 40 | 44 | 19,5 | REB-1N | RMB-1,5 | E05 | 1.302,17 |
| 5136923300 | CTVB/6-225N | 900 | 61 | 0,3 [0,3] | 1.220 | 39 | 42 | 20 | REB-1N | RMB-1,5 | E05 | 1.475,99 |
| 5136069800 | CTVB/6-250N | 900 | 90 | 0,4 [0,4] | 1.770 | 43 | 46 | 34 | REB-1N | RMB-1,5 | E05 | 1.773,17 |
| 5136074800 | CTVB/6-315N | 900 | 180 | 0,8 [0,9] | 2.810 | 48 | 51 | 38 | REB-1N | RMB-1,5 | E05 | 1.957,21 |
| 5136926300 | CTVB/6-400N | 920 | 345 | 1,6 [1,8] | 4.400 | 55 | 58 | 47,5 | REB-2,5N | RMB-3,5 | E05 | 2.980,34 |

* Nivel de presión sonora medido a 3 m en propagación hemisférica, en el punto de trabajo 2 de la curva de rendimiento.

** [Entre paréntesis]: corriente máxima cuando la velocidad está controlada por tensión.

| Código | Modelo | Velocidades (r.p.m.) | Potencia absorbida máxima (W) | Intensidad máxima (A)** | | Caudal máximo (m³/h) | Nivel de presión sonora* (dB(A)) | | Peso (kg) | Variador de frecuencia opcional | | | | Grupo producto | Precio €/u. |
|--------|--------|----------------------|-------------------------------|-------------------------|--------|----------------------|----------------------------------|----------|-----------|---------------------------------|--------|--------|--------|----------------|-------------|
| | | | | a 230V | a 400V | | Aspiración | Descarga | | VFKB | | VFTM | | | |
| | | | | | | | | | | 1-230V | 3-400V | 1-230V | 3-400V | | |

TRIFÁSICOS 4 POLOS

| | | | | | | | | | | | | | | | |
|------------|-------------|------|------|-----|-----|-------|----|----|-----|---------|---------|-----------|----------|-----|-----------------|
| 5136063000 | CTVT/4-180N | 1260 | 62 | 0,2 | 0,1 | 840 | 45 | 48 | 12 | VFKB 24 | VFKB 45 | MONO 0,18 | TRI 0,37 | E05 | 1.090,87 |
| 5136064500 | CTVT/4-200N | 1390 | 86 | 0,3 | 0,2 | 1.230 | 48 | 50 | 20 | VFKB 24 | VFKB 45 | MONO 0,18 | TRI 0,37 | E05 | 1.345,90 |
| 5136923000 | CTVT/4-225N | 1390 | 164 | 0,5 | 0,3 | 1.830 | 53 | 57 | 23 | VFKB 24 | VFKB 45 | MONO 0,18 | TRI 0,37 | E05 | 1.526,88 |
| 5136069500 | CTVT/4-250N | 1370 | 277 | 1,0 | 0,6 | 2.660 | 54 | 57 | 36 | VFKB 24 | VFKB 45 | MONO 0,18 | TRI 0,37 | E05 | 1.837,82 |
| 5136074500 | CTVT/4-315N | 1400 | 538 | 2,1 | 1,2 | 4.320 | 58 | 62 | 36 | VFKB 24 | VFKB 45 | MONO 0,37 | TRI 0,37 | E05 | 2.024,95 |
| 5136926000 | CTVT/4-400N | 1430 | 1139 | 4,0 | 2,3 | 6.760 | 64 | 69 | 51 | VFKB 27 | VFKB 45 | MONO 0,75 | TRI 1,1 | E05 | 3.047,91 |
| 5136013000 | CTVT/4-450N | 1460 | 2163 | 7,5 | 4,3 | 9.050 | 67 | 71 | 310 | - | VFKB 45 | MONO 1,5 | TRI 2,2 | E05 | 4.055,52 |

TRIFÁSICOS 6 POLOS

| | | | | | | | | | | | | | | | |
|------------|-------------|-----|------|------|------|--------|----|----|-----|---------|---------|-----------|----------|-----|-----------------|
| 5136064700 | CTVT/6-200N | 890 | 31 | 0,2 | 0,1 | 780 | 39 | 43 | 19 | VFKB 24 | VFKB 45 | MONO 0,18 | TRI 0,37 | E05 | 1.291,34 |
| 5136923200 | CTVT/6-225N | 900 | 61 | 0,2 | 0,1 | 1.210 | 40 | 43 | 22 | VFKB 24 | VFKB 45 | MONO 0,18 | TRI 0,37 | E05 | 1.465,28 |
| 5136069700 | CTVT/6-250N | 880 | 86 | 0,3 | 0,2 | 1.710 | 43 | 46 | 34 | VFKB 24 | VFKB 45 | MONO 0,18 | TRI 0,37 | E05 | 1.762,43 |
| 5136074700 | CTVT/6-315N | 900 | 180 | 0,7 | 0,4 | 2.800 | 48 | 51 | 39 | VFKB 24 | VFKB 45 | MONO 0,18 | TRI 0,37 | E05 | 1.945,88 |
| 5136926200 | CTVT/6-400N | 930 | 345 | 1,4 | 0,8 | 4.400 | 56 | 58 | 46 | VFKB 24 | VFKB 45 | MONO 0,18 | TRI 0,37 | E05 | 2.968,68 |
| 5136013100 | CTVT/6-450N | 970 | 709 | 3,0 | 1,7 | 6.150 | 56 | 60 | 78 | VFKB 24 | VFKB 45 | MONO 0,37 | TRI 0,75 | E05 | 3.972,37 |
| 5136013200 | CTVT/6-500N | 950 | 1505 | 5,4 | 3,1 | 10.380 | 60 | 65 | 115 | VFKB 27 | VFKB 45 | MONO 1,1 | TRI 1,5 | E05 | 4.837,00 |
| 5136013300 | CTVT/6-560N | 970 | 2558 | 9,0 | 5,2 | 14.410 | 64 | 68 | 139 | - | VFKB 48 | MONO 2,2 | TRI 2,2 | E05 | 5.441,35 |
| 5136013400 | CTVT/6-630N | 970 | 4387 | 14,3 | 8,2 | 20.560 | 67 | 71 | 197 | - | VFKB 48 | - | TRI 4 | E05 | 6.410,33 |
| 5136053100 | CTVT/6-630H | 970 | 6332 | - | 12,6 | 24.540 | 69 | 73 | 215 | - | - | - | TRI 5,5 | E05 | 6.946,05 |
| 5136013500 | CTVT/6-710N | 970 | 6714 | - | 12,9 | 27.280 | 71 | 75 | 247 | - | - | - | TRI 7,5 | E05 | 7.504,09 |
| 5136082000 | CTVT/6-710H | 980 | 8849 | - | 16,2 | 38.820 | 72 | 76 | 310 | - | - | - | TRI 7,5 | E05 | 7.920,30 |

* Nivel de presión sonora medido a 3 m en propagación hemisférica, en el punto de trabajo 2 de la curva de rendimiento.

** A 50 Hz sin VSD.

| Código | Modelo | Velocidades (r.p.m.) | | Potencia absorbida máxima (W) | | Intensidad absorbida máxima (400V) (A) | | Caudal máximo (m³/h) | | Nivel de presión sonora* (dB(A)) | | | | Peso (kg) | Interruptor opcional | Grupo producto | Precio €/u. |
|--------|--------|----------------------|-----------|-------------------------------|-----------|--|-----------|----------------------|-----------|----------------------------------|-----------|-----------|-----------|-----------|----------------------|----------------|-------------|
| | | Vel. Alta | Vel. Baja | Vel. Alta | Vel. Baja | Vel. Alta | Vel. Baja | Vel. Alta | Vel. Baja | Aspiración | | Descarga | | | | | |
| | | | | | | | | | | Vel. Alta | Vel. Baja | Vel. Alta | Vel. Baja | | | | |

TRIFÁSICOS 4/8 POLOS

| | | | | | | | | | | | | | | | | | |
|------------|---------------|------|-----|------|-----|-----|-----|-------|-------|----|----|----|----|----|-----------------|-----|-----------------|
| 5136923400 | CTVT/4/8-225N | 1380 | 710 | 163 | 79 | 0,3 | 0,2 | 1.770 | 900 | 53 | 38 | 56 | 42 | 23 | - | E05 | 1.756,11 |
| 5136069900 | CTVT/4/8-250N | 1370 | 720 | 280 | 145 | 0,6 | 0,4 | 2.670 | 1.360 | 54 | 40 | 57 | 43 | 36 | - | E05 | 1.951,04 |
| 5136074900 | CTVT/4/8-315N | 1350 | 710 | 497 | 181 | 0,9 | 0,6 | 4.200 | 2.120 | 58 | 44 | 61 | 48 | 36 | DEMZ 1/1,3 DA | E05 | 2.268,64 |
| 5136926400 | CTVT/4/8-400N | 1380 | 720 | 1082 | 323 | 1,8 | 1,0 | 6.750 | 3.310 | 64 | 50 | 68 | 54 | 51 | DEMZ 1,3/3,1 DA | E05 | 3.414,34 |
| 5136014400 | CTVT/4/8-450N | 1460 | 710 | 2407 | 391 | 4,9 | 1,7 | 9.090 | 4.390 | 66 | 50 | 69 | 53 | 86 | DEMZ 2,3/5,7 DA | E05 | 4.542,79 |

* Nivel de presión sonora medido a 3 m en propagación hemisférica, en el punto de trabajo 2 de la curva de rendimiento

Serie CTVT HP



CTVT
Versión estándar



Modelos CTVT INS, con
silenciador en la descarga

Ventiladores centrífugos de tejado, desenfumage, capacitados para trasegar aire a 400°C/2h, de descarga vertical, base de chapa de acero galvanizado, cubierta de chapa de aluminio, rodete centrífugo de álabes hacia atrás protegidos contra la corrosión mediante cataforesis y pintura poliéster, reja de seguridad a la descarga, e interruptor paro-marcha.
Modelos acústicos, INS, con silenciador integrado en la descarga, para reducir el nivel sonoro.

Aplicaciones específicas



Homologación según norma EN12101-3
Certificación nº 0370-CPD-0347

Motores

Clase IE3.
De 4 polos, trifásicos 400V-50Hz, IP55, Clase F, con PTC.
Motores de 4/8 y 4/6 polos, bajo demanda. Regulables por convertidor de frecuencia.
La instalación eléctrica debe equipar un sistema que permita al ventilador funcionar a máxima velocidad en caso de incendio y desconectar el PTC.

Otros datos

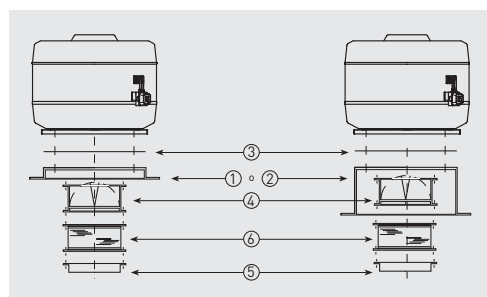
Capacitados para trasegar aire a 120°C en continuo.

Es imprescindible comprobar que las características eléctricas (voltaje, intensidad, frecuencia, etc) del motor que aparecen en la placa del mismo son compatibles con las de la instalación.

| Código | Modelo | Velocidad (r.p.m.) | Potencia máxima absorbida (kW) | Intensidad máxima absorbida a 400V (A) | Caudal máximo (m³/h) | NPS* (dB(A)) | Peso (kg) | Grupo producto | Precio €/u. |
|-------------------------------|---------------------|--------------------|--------------------------------|--|----------------------|--------------|-----------|----------------|------------------|
| Modelos estándar | | | | | | | | | |
| 5136897600 | CTVT/4-632-5,5 | 1465 | 6,10 | 10,9 | 18.000 | 84 | 177 | E05 | 8.439,40 |
| 5136897800 | CTVT/4-631-7,5 | 1480 | 6,67 | 12,4 | 20.700 | 85 | 180 | E05 | 8.855,43 |
| 5136898400 | CTVT/4-712-11 | 1470 | 12,25 | 21,3 | 26.000 | 88 | 267 | E05 | 12.291,10 |
| 5136898600 | CTVT/4-711-15 | 1480 | 16,39 | 29,5 | 32.500 | 90 | 303 | E05 | 13.357,48 |
| 5136899200 | CTVT/4-802-18,5 | 1480 | 19,85 | 34,5 | 35.400 | 91 | 361 | E05 | 14.600,76 |
| 5136899400 | CTVT/4-801-22 | 1485 | 26,00 | 43,6 | 44.500 | 93 | 376 | E05 | 15.339,57 |
| 5136904800 | CTVT/4-902-30 | 1485 | 30,16 | 58,0 | 50.900 | 94 | 515 | E05 | 17.988,55 |
| Modelos con silenciador (INS) | | | | | | | | | |
| 5136897700 | CTVT/4-632-5,5-INS | 1465 | 6,10 | 10,9 | 18.000 | 78 | 221 | E05 | 10.398,05 |
| 5136897900 | CTVT/4-631-7,5-INS | 1480 | 6,67 | 12,4 | 20.700 | 79 | 224 | E05 | 11.040,06 |
| 5136898500 | CTVT/4-712-11-INS | 1470 | 12,25 | 21,3 | 26.000 | 81 | 357 | E05 | 14.418,73 |
| 5136898700 | CTVT/4-711-15-INS | 1480 | 16,39 | 29,5 | 32.500 | 83 | 393 | E05 | 15.468,34 |
| 5136899300 | CTVT/4-802-18,5-INS | 1480 | 19,85 | 34,5 | 35.400 | 84 | 492 | E05 | 16.723,70 |
| 5136899500 | CTVT/4-801-22-INS | 1485 | 26,00 | 43,6 | 44.500 | 87 | 507 | E05 | 17.599,83 |
| 5136904900 | CTVT/4-902-30-INS | 1485 | 30,16 | 58,0 | 50.900 | 87 | 635 | E05 | 20.309,21 |

* Niveles máximos de presión sonora, medida a 3 metros, en campo libre, en la descarga.

INSTALACIÓN ACCESORIOS DE MONTAJE SERIE CTVT HP (Ver códigos y precios en Accesorios Generales)



| Modelo | ① Marco soporte | ② Base soporte | ③ Placa de adaptación | ④ Compuerta antirretorno | ⑤ Brida | ⑥ Acoplamiento elástico |
|------------|-----------------|----------------|-----------------------|--------------------------|------------|-------------------------|
| CTVT/4-632 | JMS-905 | JBS-905 | JPA-905 | JCA-905 N | JBR-905 N | JAE-905 N |
| CTVT/4-631 | | | | | | |
| CTVT/4-712 | JMS-1250 | JBS-V-1000 | JPA-1250 | JCA-1250 N | JBR-1250 N | JAE-1250 N |
| CTVT/4-711 | | | | | | |
| CTVT/4-802 | | | | | | |
| CTVT/4-801 | | | | | | |
| CTVT/4-902 | | | | | | |

Serie THGT-HATCH



Combinando una envolvente con compuerta motorizada, y un ventilador mecánico, el THGT-HATCH es una unidad de tejado diseñada para la extracción vertical de humo en caso de incendio. Certificado F300/F200-120 y F400-120 para doble uso (ventilación/emergencia) según EN 12101-3 (0370-CPR-6216 y 0370-CPR-6213 respectivamente).

Ventilador

De la serie THGT, en configuración Flujo A, para fácil acceso a la hélice durante el mantenimiento. Alta resistencia a la corrosión, gracias al galvanizado en caliente de su conjunto camisa-soporte motor. Hélices equilibradas dinámicamente, con álabes orientables y cubos fabricados en aluminio. Cubos fabricados también en acero, en función del diámetro y requerimientos de temperatura. La versión F400 2 polos es una única pieza de aluminio.

Hatch

La envolvente, o HATCH, está diseñada y construida para mayor facilidad de instalación y puesta en marcha, ahorro energético y soportar condiciones climáticas severas. El diseño estándar incorpora un faldón para su instalación sobre base. Accesorio JBS-HATCH disponible para montaje sobre superficie plana. Estanqueidad < 3m³/h/m² @ 50Pa. Aislamiento térmico U = 0,42W/(m²K) gracias a rotura de puente térmico. Carga de nieve SL 1000.

Carga de viento WL 1500 para tamaños 1, 2 y 3, WL 1000 para tamaño 4. Temperatura ambiente interior/exterior -25°C a +50°C. Apertura certificada a -25°C con 1000Pa de carga. Mecanismo de apertura para 20,000 ciclos. Incluye contactos para señalar la posición de la compuerta (abierta/cerrada) en fin de carrera. Conexiones para motor y actuadores a través de cajas de conexiones externas independientes.

Alimentación motores & hatch

Motores IP55, Clase H, trifásicos. Una velocidad: 2, 4 o 6 polos. Dos velocidades: 2/4, 4/8 o 6/12 polos. 220-240/380-415 50Hz, hasta 3 kW. 380-415V-50Hz, para potencias superiores. Motores regulables por variación de frecuencia. En caso de emergencia el ventilador puede ir alimentado a través del variador, siempre que sea de la serie VFTM, y/o se cumplan los requisitos detallados en UNE EN 12101-3. Actuadores: 220-240V 50Hz IP65.

Aplicaciones específicas



Homologados según norma EN12101-3. Certificación nº 0370-CPR-6213



Homologados según norma EN12101-3. Certificación nº 0370-CPR-6216



Parkings



Almacenes

Rango de prestaciones de cada tamaño o envolvente, con descarga y aspiración libres. Para una selección con punto de trabajo concreto, por favor acceda a la herramienta de selección EasyVENT.

Es imprescindible comprobar que las características eléctricas (voltaje, intensidad, frecuencia, etc) del motor que aparecen en la placa del mismo son compatibles con las de la instalación.

| Modelo | Potencia motor (kW) | Intensidad nominal motor (A) | | Caudal máximo (m³/h) | Grupo producto | Precio €/u. |
|---------------------------|---------------------|------------------------------|-------|----------------------|----------------|-------------|
| | | 230V | 400 V | | | |
| THGT-HATCH/2-500-6/17 1,5 | 1,5 | 5,5 | 3,1 | 9.790 | E05 | 8.879,99 |
| THGT-HATCH/2-500-6/22 3 | 3 | 10,3 | 5,9 | 11.990 | E05 | 8.997,23 |
| THGT-HATCH/2-500-6/27 4 | 4 | - | 7,7 | 14.480 | E05 | 9.309,81 |
| THGT-HATCH/2-560-6/17 4 | 4 | - | 7,7 | 14.830 | E05 | 9.458,57 |
| THGT-HATCH/2-560-6/22 5,5 | 5,5 | - | 10,6 | 17.750 | E05 | 9.897,04 |
| THGT-HATCH/2-560-6/27 7,5 | 7,5 | - | 14,1 | 21.450 | E05 | 10.114,33 |
| THGT-HATCH/2-630-6/17 7,5 | 7,5 | - | 14,1 | 22.180 | E05 | 10.229,49 |
| THGT-HATCH/2-630-6/22 7,5 | 7,5 | - | 14,1 | 26.380 | E05 | 10.229,49 |
| THGT-HATCH/2-630-6/27 11 | 11 | - | 17,3 | 31.080 | E05 | 11.980,21 |
| THGT-HATCH/4-500-6/- 0,55 | 0,55 | 2,2 | 1,3 | 7.930 | E05 | 8.469,89 |
| THGT-HATCH/4-500-6/- 0,75 | 0,75 | 2,8 | 1,6 | 10.090 | E05 | 8.632,41 |
| THGT-HATCH/4-500-6/- 1,1 | 1,1 | 4,2 | 2,4 | 10.510 | E05 | 8.740,40 |
| THGT-HATCH/4-560-6/- 0,55 | 0,55 | 2,2 | 1,3 | 8.920 | E05 | 8.668,44 |
| THGT-HATCH/4-560-6/- 0,75 | 0,75 | 2,8 | 1,6 | 10.340 | E05 | 8.807,35 |
| THGT-HATCH/4-560-6/- 1,1 | 1,1 | 4,2 | 2,4 | 13.340 | E05 | 8.881,84 |
| THGT-HATCH/4-560-6/- 1,5 | 1,5 | 5,7 | 3,3 | 15.080 | E05 | 9.184,80 |
| THGT-HATCH/4-560-6/- 2,2 | 2,2 | 8,1 | 4,6 | 15.700 | E05 | 9.528,58 |
| THGT-HATCH/4-630-6/- 0,75 | 0,75 | 2,8 | 1,6 | 11.450 | E05 | 8.919,79 |
| THGT-HATCH/4-630-6/- 1,1 | 1,1 | 4,2 | 2,4 | 14.450 | E05 | 8.994,14 |
| THGT-HATCH/4-630-6/- 1,5 | 1,5 | 5,7 | 3,3 | 16.830 | E05 | 9.322,59 |
| THGT-HATCH/4-630-6/- 2,2 | 2,2 | 8,1 | 4,6 | 20.290 | E05 | 9.694,49 |
| THGT-HATCH/4-630-6/- 3 | 3 | 10,7 | 6,2 | 23.590 | E05 | 10.174,52 |

| Modelo | Potencia motor (kW) | Intensidad nominal motor (A) | | Caudal máximo (m³/h) | Grupo producto | Precio €/u. |
|----------------------------|---------------------|------------------------------|-------|----------------------|----------------|-------------|
| | | 230V | 400 V | | | |
| THGT-HATCH/4-710-5/- 1,1 | 1,1 | 4,2 | 2,4 | 14.870 | E05 | 10.120,85 |
| THGT-HATCH/4-710-5/- 1,5 | 1,5 | 5,7 | 3,3 | 18.140 | E05 | 10.417,10 |
| THGT-HATCH/4-710-5/- 2,2 | 2,2 | 8,1 | 4,6 | 21.740 | E05 | 10.699,79 |
| THGT-HATCH/4-710-5/- 3 | 3 | 10,7 | 6,2 | 26.270 | E05 | 11.167,35 |
| THGT-HATCH/4-710-5/- 4 | 4 | - | 8,1 | 27.000 | E05 | 11.619,60 |
| THGT-HATCH/4-710-5/- 5,5 | 5,5 | - | 10,5 | 31.550 | E05 | 11.986,24 |
| THGT-HATCH/4-710-7/- 1,1 | 1,1 | 4,2 | 2,4 | 10.980 | E05 | 10.174,17 |
| THGT-HATCH/4-710-7/- 1,5 | 1,5 | 5,7 | 3,3 | 16.900 | E05 | 10.470,82 |
| THGT-HATCH/4-710-7/- 2,2 | 2,2 | 8,1 | 4,6 | 18.470 | E05 | 10.753,15 |
| THGT-HATCH/4-710-7/- 3 | 3 | 10,7 | 6,2 | 23.970 | E05 | 11.220,31 |
| THGT-HATCH/4-710-7/- 4 | 4 | - | 8,1 | 27.550 | E05 | 11.672,74 |
| THGT-HATCH/4-710-7/- 5,5 | 5,5 | - | 10,5 | 30.350 | E05 | 12.039,14 |
| THGT-HATCH/4-800-3/- 1,1 | 1,1 | 4,2 | 2,4 | 18.810 | E05 | 10.128,57 |
| THGT-HATCH/4-800-3/- 1,5 | 1,5 | 5,7 | 3,3 | 22.430 | E05 | 10.424,83 |
| THGT-HATCH/4-800-3/- 2,2 | 2,2 | 8,2 | 4,6 | 25.110 | E05 | 10.786,71 |
| THGT-HATCH/4-800-3/- 3 | 3 | 10,7 | 6,2 | 30.340 | E05 | 11.240,36 |
| THGT-HATCH/4-800-3/- 4 | 4 | - | 8,1 | 31.780 | E05 | 11.691,55 |
| THGT-HATCH/4-800-3/- 5,5 | 5,5 | - | 10,5 | 35.050 | E05 | 12.062,66 |
| THGT-HATCH/4-800-6/- 1,5 | 1,5 | 5,7 | 3,3 | 16.610 | E05 | 10.550,89 |
| THGT-HATCH/4-800-6/- 2,2 | 2,2 | 8,1 | 4,6 | 20.980 | E05 | 10.922,76 |
| THGT-HATCH/4-800-6/- 3 | 3 | 10,7 | 6,2 | 26.600 | E05 | 11.416,71 |
| THGT-HATCH/4-800-6/- 4 | 4 | - | 8,1 | 29.400 | E05 | 11.868,01 |
| THGT-HATCH/4-800-6/- 5,5 | 5,5 | - | 10,5 | 35.310 | E05 | 12.239,15 |
| THGT-HATCH/4-800-6/- 7,5 | 7,5 | - | 14,1 | 39.290 | E05 | 13.124,53 |
| THGT-HATCH/4-800-9/- 2,2 | 2,2 | 8,1 | 4,6 | 17.760 | E05 | 11.040,55 |
| THGT-HATCH/4-800-9/- 3 | 3 | 10,7 | 6,2 | 23.830 | E05 | 11.594,93 |
| THGT-HATCH/4-800-9/- 4 | 4 | - | 8,1 | 26.230 | E05 | 12.046,22 |
| THGT-HATCH/4-800-9/- 5,5 | 5,5 | - | 10,5 | 33.280 | E05 | 12.437,20 |
| THGT-HATCH/4-800-9/- 7,5 | 7,5 | - | 14,1 | 39.590 | E05 | 13.252,63 |
| THGT-HATCH/4-900-3/- 2,2 | 2,2 | 8,2 | 4,6 | 26.900 | E05 | 11.646,82 |
| THGT-HATCH/4-900-3/- 3 | 3 | 10,7 | 6,2 | 32.190 | E05 | 12.119,01 |
| THGT-HATCH/4-900-3/- 4 | 4 | - | 8,1 | 38.630 | E05 | 12.587,21 |
| THGT-HATCH/4-900-3/- 5,5 | 5,5 | - | 10,5 | 42.650 | E05 | 13.117,61 |
| THGT-HATCH/4-900-3/- 7,5 | 7,5 | - | 14,1 | 48.470 | E05 | 13.927,17 |
| THGT-HATCH/4-900-6/- 3 | 3 | 10,7 | 6,2 | 27.780 | E05 | 12.284,11 |
| THGT-HATCH/4-900-6/- 4 | 4 | - | 8,1 | 33.990 | E05 | 12.751,02 |
| THGT-HATCH/4-900-6/- 5,5 | 5,5 | - | 10,5 | 36.790 | E05 | 13.279,66 |
| THGT-HATCH/4-900-6/- 7,5 | 7,5 | - | 14,1 | 43.690 | E05 | 14.126,32 |
| THGT-HATCH/4-900-6/- 11 | 11 | - | 21,2 | 54.360 | E05 | 16.343,58 |
| THGT-HATCH/4-900-9/- 5,5 | 5,5 | - | 10,5 | 33.130 | E05 | 13.426,37 |
| THGT-HATCH/4-900-9/- 7,5 | 7,5 | - | 14,1 | 38.530 | E05 | 14.266,52 |
| THGT-HATCH/4-900-9/- 11 | 11 | - | 21,2 | 49.130 | E05 | 16.468,09 |
| THGT-HATCH/4-900-9/- 15 | 15 | - | 28,7 | 58.470 | E05 | 17.541,13 |
| THGT-HATCH/4-1000-3/- 3 | 3 | 10,7 | 6,2 | 37.520 | E05 | 12.310,29 |
| THGT-HATCH/4-1000-3/- 4 | 4 | - | 8,1 | 43.600 | E05 | 12.735,77 |
| THGT-HATCH/4-1000-3/- 5,5 | 5,5 | - | 10,5 | 50.370 | E05 | 13.036,55 |
| THGT-HATCH/4-1000-3/- 7,5 | 7,5 | - | 14,1 | 57.620 | E05 | 14.076,21 |
| THGT-HATCH/4-1000-3/- 11 | 11 | - | 21,2 | 64.620 | E05 | 16.618,48 |
| THGT-HATCH/4-1000-6/- 4 | 4 | - | 8,1 | 35.840 | E05 | 12.841,84 |
| THGT-HATCH/4-1000-6/- 5,5 | 5,5 | - | 10,5 | 39.900 | E05 | 13.158,90 |
| THGT-HATCH/4-1000-6/- 7,5 | 7,5 | - | 14,1 | 47.980 | E05 | 14.180,50 |
| THGT-HATCH/4-1000-6/- 11 | 11 | - | 21,2 | 62.460 | E05 | 16.754,40 |
| THGT-HATCH/4-1000-6/- 15 | 15 | - | 28,7 | 67.420 | E05 | 17.925,91 |
| THGT-HATCH/4-1000-6/- 18,5 | 18,5 | - | 35,1 | 77.090 | E05 | 19.783,79 |

| Modelo | Potencia motor (kW) | Intensidad nominal motor (A) | | Caudal máximo (m³/h) | Grupo producto | Precio €/u. |
|-----------------------------|---------------------|------------------------------|-------|----------------------|----------------|-------------|
| | | 230V | 400 V | | | |
| THGT-HATCH/4-1000-9/- 7,5 | 7,5 | - | 14,1 | 43.570 | E05 | 14.749,11 |
| THGT-HATCH/4-1000-9/- 11 | 11 | - | 21,2 | 55.340 | E05 | 17.132,82 |
| THGT-HATCH/4-1000-9/- 15 | 15 | - | 28,7 | 64.670 | E05 | 18.198,93 |
| THGT-HATCH/4-1000-9/- 18,5 | 18,5 | - | 35,1 | 68.740 | E05 | 20.072,30 |
| THGT-HATCH/4-1000-9/- 22 | 22 | - | 40,5 | 76.330 | E05 | 21.888,97 |
| THGT-HATCH/4-1120-3/- 4 | 4 | - | 8,1 | 50.930 | E05 | 13.650,12 |
| THGT-HATCH/4-1120-3/- 5,5 | 5,5 | - | 10,5 | 59.020 | E05 | 13.950,92 |
| THGT-HATCH/4-1120-3/- 7,5 | 7,5 | - | 14,1 | 65.540 | E05 | 15.063,28 |
| THGT-HATCH/4-1120-3/- 11 | 11 | - | 21,2 | 79.140 | E05 | 17.334,91 |
| THGT-HATCH/4-1120-3/- 15 | 15 | - | 28,7 | 89.150 | E05 | 18.529,21 |
| THGT-HATCH/4-1120-3/- 18,5 | 18,5 | - | 35,1 | 94.040 | E05 | 20.483,73 |
| THGT-HATCH/4-1120-6/- 11 | 11 | - | 21,2 | 67.820 | E05 | 17.540,15 |
| THGT-HATCH/4-1120-6/- 15 | 15 | - | 28,7 | 82.800 | E05 | 18.644,99 |
| THGT-HATCH/4-1120-6/- 18,5 | 18,5 | - | 35,1 | 86.740 | E05 | 20.551,19 |
| THGT-HATCH/4-1120-6/- 22 | 22 | - | 40,5 | 95.590 | E05 | 22.366,62 |
| THGT-HATCH/4-1120-6/- 30 | 30 | - | 56,2 | 109.010 | E05 | 26.283,87 |
| THGT-HATCH/4-1120-9/- 11 | 11 | - | 21,2 | 59.340 | E05 | 17.872,72 |
| THGT-HATCH/4-1120-9/- 15 | 15 | - | 28,7 | 67.550 | E05 | 18.927,68 |
| THGT-HATCH/4-1120-9/- 18,5 | 18,5 | - | 35,1 | 79.380 | E05 | 20.844,87 |
| THGT-HATCH/4-1120-9/- 22 | 22 | - | 40,5 | 68.700 | E05 | 22.693,96 |
| THGT-HATCH/4-1120-9/- 30 | 30 | - | 56,2 | 98.250 | E05 | 26.548,06 |
| THGT-HATCH/4-1120-9/- 37 | 37 | - | 66,6 | 108.330 | E05 | 29.465,60 |
| THGT-HATCH/4-1120-9/- 45 | 45 | - | 80,7 | 112.100 | E05 | 31.486,31 |
| THGT-HATCH/4-1250-3/- 7,5 | 7,5 | - | 14,1 | 66.600 | E05 | 15.338,80 |
| THGT-HATCH/4-1250-3/- 11 | 11 | - | 21,2 | 82.400 | E05 | 17.474,63 |
| THGT-HATCH/4-1250-3/- 15 | 15 | - | 28,7 | 98.800 | E05 | 18.605,72 |
| THGT-HATCH/4-1250-3/- 18,5 | 18,5 | - | 35,1 | 103.800 | E05 | 20.560,28 |
| THGT-HATCH/4-1250-3/- 22 | 22 | - | 40,5 | 113.600 | E05 | 22.398,97 |
| THGT-HATCH/4-1250-3/- 30 | 30 | - | 56,2 | 125.760 | E05 | 26.338,42 |
| THGT-HATCH/4-1250-6/- 11 | 11 | - | 20,9 | 70.000 | E05 | 18.521,64 |
| THGT-HATCH/4-1250-6/- 15 | 15 | - | 28,7 | 77.850 | E05 | 18.795,71 |
| THGT-HATCH/4-1250-6/- 18,5 | 18,5 | - | 35,1 | 94.330 | E05 | 20.750,21 |
| THGT-HATCH/4-1250-6/- 22 | 22 | - | 40,5 | 104.270 | E05 | 22.588,97 |
| THGT-HATCH/4-1250-6/- 30 | 30 | - | 56,2 | 117.690 | E05 | 26.528,42 |
| THGT-HATCH/4-1250-6/- 37 | 37 | - | 66,6 | 128.170 | E05 | 29.460,51 |
| THGT-HATCH/4-1250-6/- 45 | 45 | - | 80,7 | 141.650 | E05 | 31.477,20 |
| THGT-HATCH/4-1250-9/- 15 | 15 | - | 28,7 | 63.810 | E05 | 19.088,04 |
| THGT-HATCH/4-1250-9/- 18,5 | 18,5 | - | 35,1 | 80.890 | E05 | 21.049,11 |
| THGT-HATCH/4-1250-9/- 22 | 22 | - | 40,5 | 87.670 | E05 | 22.930,63 |
| THGT-HATCH/4-1250-9/- 30 | 30 | - | 56,2 | 112.950 | E05 | 26.791,99 |
| THGT-HATCH/4-1250-9/- 37 | 37 | - | 66,6 | 121.630 | E05 | 29.819,57 |
| THGT-HATCH/4-1250-9/- 45 | 45 | - | 80,7 | 129.280 | E05 | 31.836,28 |
| THGT-HATCH/4-1250-12/- 18,5 | 18,5 | - | 35,1 | 67.270 | E05 | 21.515,72 |
| THGT-HATCH/4-1250-12/- 22 | 22 | - | 41 | 75.620 | E05 | 23.397,22 |
| THGT-HATCH/4-1250-12/- 30 | 30 | - | 57,1 | 91.920 | E05 | 27.258,60 |
| THGT-HATCH/4-1250-12/- 37 | 37 | - | 66,8 | 100.650 | E05 | 30.286,18 |
| THGT-HATCH/4-1250-12/- 45 | 45 | - | 80,9 | 121.300 | E05 | 32.302,86 |

Modelos THGT-HATCH de 6 polos y de 2 velocidades, bajo demanda.

ACCESORIOS ESPECÍFICOS PARA LA SERIE THGT-HATCH

El rango de accesorios es el mismo que para la serie THGT. Incorpora, además, la base soporte JBS-HATCH.

JBS-HATCH

Base soporte

(Ver códigos y precios en Accesorios de Montaje específicos de Tejado)

Serie HGHT-V



Ventiladores helicoidales de tejado, de descarga vertical, desenfumage, capacitados para trasegar aire a 400°C/2h, conjunto camisa-faldón fabricado con chapa de acero galvanizado en caliente, envolvente fabricada con chapa de acero galvanizado con protección anticorrosiva poliéster, hélice de álabes de aluminio y semicubo de chapa de acero, compuerta antirretorno, rejilla de protección en la descarga, interruptor paro-marcha exterior, motor trifásico, IP55, Clase H. Temperatura ambiente de trabajo: -20°C a +50°C.

Motores

De 4 polos.
Tensión de alimentación
Trifásicos 230/400V-50Hz hasta 3 kW.
Trifásicos 400V-50Hz, para potencias superiores y motores de 2 velocidades.
[Ver cuadro de características].
Motores regulables por variación de frecuencia.
En caso de emergencia el ventilador puede ir alimentado a través del variador, siempre que sea de la serie VFTM, y/o se cumplan los requisitos detallados en UNE EN 12101-3.

Otros datos

Sentido del aire: Motor-hélice (flujo A).
Bajo demanda, motores de 6 polos y de 2 velocidades [4/6 y 4/8 polos].
Bajo demanda: Versión F300.

Consultar EasyVent para seleccionar el equipo idóneo para la instalación, y obtener la ficha técnica correspondiente.

Aplicaciones específicas



Homologados según norma EN12101-3
Certificación nº 0370-CPD-0909



Homologados según norma EN12101-3.
Certificación nº 0370-CPD-0923



Parkings

Es imprescindible comprobar que las características eléctricas (voltaje, intensidad, frecuencia, etc) del motor que aparecen en la placa del mismo son compatibles con las de la instalación.

| Código | Modelo | Potencia motor (kW) | Intensidad máxima absorbida a 400V (A) | Peso (kg) | Grupo producto | Precio €/u. | Código | Modelo | Potencia motor (kW) | Intensidad máxima absorbida a 400V (A) | Peso (kg) | Grupo producto | Precio €/u. |
|-----------------------|---------------------|---------------------|--|-----------|----------------|-----------------|-----------------------|-----------------------|---------------------|--|-----------|----------------|------------------|
| 1 VELOCIDAD - 4 POLOS | | | | | | | 1 VELOCIDAD - 4 POLOS | | | | | | |
| GH4086015U0 | HGHT-V/4-800-6/-1,5 | 1,5 | 3,17 | 170 | E05 | 6.312,01 | GH4106040U0 | HGHT-V/4-1000-6/-4 | 4 | 8,03 | 248 | E05 | 7.889,43 |
| GH4086022U0 | HGHT-V/4-800-6/-2,2 | 2,2 | 4,56 | 179 | E05 | 6.560,95 | GH4106055U0 | HGHT-V/4-1000-6/-5,5 | 5,5 | 10,4 | 270 | E05 | 8.217,43 |
| GH4086030U0 | HGHT-V/4-800-6/-3 | 3 | 6,15 | 185 | E05 | 6.904,48 | GH4106075U0 | HGHT-V/4-1000-6/-7,5 | 7,5 | 13,9 | 278 | E05 | 8.598,53 |
| GH4086040U0 | HGHT-V/4-800-6/-4 | 4 | 8,03 | 191 | E05 | 6.972,19 | GH4106110U0 | HGHT-V/4-1000-6/-11 | 11 | 20,9 | 317 | E05 | 9.575,68 |
| GH4086055U0 | HGHT-V/4-800-6/-5,5 | 5,5 | 10,4 | 213 | E05 | 7.300,17 | GH4106150U0 | HGHT-V/4-1000-6/-15 | 15 | 27,9 | 339 | E05 | 9.946,48 |
| GH4086075U0 | HGHT-V/4-800-6/-7,5 | 7,5 | 13,9 | 221 | E05 | 7.681,31 | GH4106185U0 | HGHT-V/4-1000-6/-18,5 | 18,5 | 35,1 | 372 | E05 | 12.336,05 |
| GH4089022U0 | HGHT-V/4-800-9/-2,2 | 2,2 | 4,56 | 184 | E05 | 6.728,97 | GH4109075U0 | HGHT-V/4-1000-9/-7,5 | 7,5 | 13,9 | 285 | E05 | 8.774,09 |
| GH4089030U0 | HGHT-V/4-800-9/-3 | 3 | 6,15 | 190 | E05 | 7.072,49 | GH4109110U0 | HGHT-V/4-1000-9/-11 | 11 | 20,9 | 324 | E05 | 9.751,23 |
| GH4089040U0 | HGHT-V/4-800-9/-4 | 4 | 8,03 | 196 | E05 | 7.140,20 | GH4109150U0 | HGHT-V/4-1000-9/-15 | 15 | 27,9 | 346 | E05 | 10.122,04 |
| GH4089055U0 | HGHT-V/4-800-9/-5,5 | 5,5 | 10,4 | 218 | E05 | 7.468,20 | GH4109185U0 | HGHT-V/4-1000-9/-18,5 | 18,5 | 35,1 | 379 | E05 | 12.511,58 |
| GH4089075U0 | HGHT-V/4-800-9/-7,5 | 7,5 | 13,9 | 226 | E05 | 7.849,33 | GH4109220U0 | HGHT-V/4-1000-9/-22 | 22 | 41 | 396 | E05 | 13.064,39 |
| GH4096030U0 | HGHT-V/4-900-6/-3 | 3 | 6,15 | 227 | E05 | 7.449,42 | GH4126110U0 | HGHT-V/4-1250-6/-11 | 11 | 20,9 | 441 | E05 | 10.927,53 |
| GH4096040U0 | HGHT-V/4-900-6/-4 | 4 | 8,03 | 233 | E05 | 7.517,14 | GH4126150U0 | HGHT-V/4-1250-6/-15 | 15 | 27,9 | 463 | E05 | 11.382,84 |
| GH4096055U0 | HGHT-V/4-900-6/-5,5 | 5,5 | 10,4 | 255 | E05 | 7.845,14 | GH4126185U0 | HGHT-V/4-1250-6/-18,5 | 18,5 | 35,1 | 496 | E05 | 13.772,39 |
| GH4096075U0 | HGHT-V/4-900-6/-7,5 | 7,5 | 13,9 | 263 | E05 | 8.226,28 | GH4126220U0 | HGHT-V/4-1250-6/-22 | 22 | 41 | 513 | E05 | 14.325,15 |
| GH4096110U0 | HGHT-V/4-900-6/-11 | 11 | 20,9 | 302 | E05 | 9.203,39 | GH4126300U0 | HGHT-V/4-1250-6/-30 | 30 | 57,1 | 556 | E05 | 15.862,74 |
| GH4099055U0 | HGHT-V/4-900-9/-5,5 | 5,5 | 10,4 | 261 | E05 | 8.016,86 | GH4126370U0 | HGHT-V/4-1250-6/-37 | 37 | 66,8 | 693 | E05 | 17.688,01 |
| GH4099075U0 | HGHT-V/4-900-9/-7,5 | 7,5 | 13,9 | 269 | E05 | 8.398,02 | GH4126450U0 | HGHT-V/4-1250-6/-45 | 45 | 80,9 | 728 | E05 | 19.185,99 |
| GH4099110U0 | HGHT-V/4-900-9/-11 | 11 | 20,9 | 308 | E05 | 9.375,17 | GH4129150U0 | HGHT-V/4-1250-9/-15 | 15 | 27,9 | 473 | E05 | 11.572,95 |
| GH4099150U0 | HGHT-V/4-900-9/-15 | 15 | 27,9 | 330 | E05 | 9.745,93 | GH4129185U0 | HGHT-V/4-1250-9/-18,5 | 18,5 | 35,1 | 506 | E05 | 13.962,52 |
| | | | | | | | GH4129220U0 | HGHT-V/4-1250-9/-22 | 22 | 41 | 523 | E05 | 14.515,31 |
| | | | | | | | GH4129300U0 | HGHT-V/4-1250-9/-30 | 30 | 57,1 | 566 | E05 | 16.052,86 |
| | | | | | | | GH4129370U0 | HGHT-V/4-1250-9/-37 | 37 | 66,8 | 703 | E05 | 17.878,14 |
| | | | | | | | GH4129450U0 | HGHT-V/4-1250-9/-45 | 45 | 80,9 | 738 | E05 | 19.376,09 |

4/8 POLOS

| Código | Modelo | Potencia motor (kW) | | Intensidad máxima absorbida a 400V (A) | | Peso (kg) | Grupo producto | Precio €/u. |
|--------|--------|---------------------|----|--|----|-----------|----------------|-------------|
| | | VA | VL | VA | VL | | | |

2 VELOCIDADES - 4/8 POLOS

| | | | | | | | | |
|--------------|----------------------------|-----|------|------|------|-----|-----|-----------------|
| GH4708601500 | HGHT-V/4/8-800-6/-1,5/0,25 | 1,5 | 0,25 | 3,65 | 1,6 | 177 | E05 | 6.627,63 |
| GH4708602200 | HGHT-V/4/8-800-6/-2,2/0,37 | 2,2 | 0,37 | 4,7 | 1,66 | 185 | E05 | 6.889,03 |
| GH4708603000 | HGHT-V/4/8-800-6/-3/0,55 | 3 | 0,55 | 6,29 | 2,35 | 186 | E05 | 7.249,70 |
| GH4708604000 | HGHT-V/4/8-800-6/-4/0,75 | 4 | 0,75 | 8,44 | 2,25 | 193 | E05 | 7.320,79 |
| GH4708605510 | HGHT-V/4/8-800-6/-5,5/1,1 | 5,5 | 1,1 | 11,7 | 3,7 | 215 | E05 | 7.665,18 |
| GH4708607510 | HGHT-V/4/8-800-6/-7,5/1,5 | 7,5 | 1,5 | 15,9 | 4,72 | 228 | E05 | 8.065,39 |

| | | | | | | | | |
|--------------|----------------------------|-----|------|------|------|-----|-----|-----------------|
| GH4708902200 | HGHT-V/4/8-800-9/-2,2/0,37 | 2,2 | 0,37 | 4,7 | 1,66 | 190 | E05 | 7.056,97 |
| GH4708903000 | HGHT-V/4/8-800-9/-3/0,55 | 3 | 0,55 | 6,29 | 2,35 | 191 | E05 | 7.417,68 |
| GH4708904000 | HGHT-V/4/8-800-9/-4/0,75 | 4 | 0,75 | 8,44 | 2,25 | 198 | E05 | 7.488,76 |
| GH4708905510 | HGHT-V/4/8-800-9/-5,5/1,1 | 5,5 | 1,1 | 11,7 | 3,7 | 220 | E05 | 7.833,15 |
| GH4708907510 | HGHT-V/4/8-800-9/-7,5/1,5 | 7,5 | 1,5 | 15,9 | 4,72 | 233 | E05 | 8.233,36 |

| | | | | | | | | |
|--------------|----------------------------|-----|------|------|------|-----|-----|-----------------|
| GH4709602200 | HGHT-V/4/8-900-6/-2,2/0,37 | 2,2 | 0,37 | 4,7 | 1,66 | 227 | E05 | 7.430,81 |
| GH4709603000 | HGHT-V/4/8-900-6/-3/0,55 | 3 | 0,55 | 6,29 | 2,35 | 228 | E05 | 7.821,88 |
| GH4709604000 | HGHT-V/4/8-900-6/-4/0,75 | 4 | 0,75 | 8,44 | 2,25 | 235 | E05 | 7.893,01 |
| GH4709605510 | HGHT-V/4/8-900-6/-5,5/1,1 | 5,5 | 1,1 | 11,7 | 3,7 | 257 | E05 | 8.237,34 |
| GH4709607510 | HGHT-V/4/8-900-6/-7,5/1,5 | 7,5 | 1,5 | 15,9 | 4,72 | 270 | E05 | 8.637,59 |
| GH4709611030 | HGHT-V/4/8-900-6/-11/3 | 11 | 3 | 21 | 7 | 301 | E05 | 9.663,59 |

| | | | | | | | | |
|--------------|---------------------------|-----|------|------|------|-----|-----|------------------|
| GH4709904000 | HGHT-V/4/8-900-9/-4/0,75 | 4 | 0,75 | 8,44 | 2,25 | 241 | E05 | 8.063,92 |
| GH4709905510 | HGHT-V/4/8-900-9/-5,5/1,1 | 5,5 | 1,1 | 11,7 | 3,7 | 263 | E05 | 8.408,31 |
| GH4709907510 | HGHT-V/4/8-900-9/-7,5/1,5 | 7,5 | 1,5 | 15,9 | 4,72 | 276 | E05 | 8.808,50 |
| GH4709911030 | HGHT-V/4/8-900-9/-11/3 | 11 | 3 | 21 | 7 | 307 | E05 | 9.834,47 |
| GH4709914030 | HGHT-V/4/8-900-9/-14/3,5 | 14 | 3,5 | 26,5 | 8,45 | 326 | E05 | 10.223,45 |

| | | | | | | | | |
|--------------|----------------------------|-----|------|------|------|-----|-----|------------------|
| GH4710604000 | HGHT-V/4/8-1000-6/-4/0,75 | 4 | 0,75 | 8,44 | 2,25 | 250 | E05 | 8.283,88 |
| GH4710605510 | HGHT-V/4/8-1000-6/-5,5/1,1 | 5,5 | 1,1 | 11,7 | 3,7 | 272 | E05 | 8.628,28 |
| GH4710607510 | HGHT-V/4/8-1000-6/-7,5/1,5 | 7,5 | 1,5 | 15,9 | 4,72 | 285 | E05 | 9.028,49 |
| GH4710611030 | HGHT-V/4/8-1000-6/-11/3 | 11 | 3 | 21 | 7 | 316 | E05 | 10.054,46 |
| GH4710614030 | HGHT-V/4/8-1000-6/-14/3,5 | 14 | 3,5 | 26,5 | 8,45 | 335 | E05 | 10.443,80 |
| GH4710617040 | HGHT-V/4/8-1000-6/-17/4,3 | 17 | 4,3 | 33,4 | 12,7 | 366 | E05 | 12.874,41 |
| GH4710620050 | HGHT-V/4/8-1000-6/-20/5 | 20 | 5 | 38,6 | 14,1 | 381 | E05 | 13.443,25 |

| Código | Modelo | Potencia motor (kW) | | Intensidad máxima absorbida a 400V (A) | | Peso (kg) | Grupo producto | Precio €/u. |
|--------|--------|---------------------|----|--|----|-----------|----------------|-------------|
| | | VA | VL | VA | VL | | | |

2 VELOCIDADES - 4/8 POLOS

| | | | | | | | | |
|--------------|----------------------------|-----|-----|------|------|-----|-----|------------------|
| GH4710905510 | HGHT-V/4/8-1000-9/-5,5/1,1 | 5,5 | 1,1 | 11,7 | 3,7 | 279 | E05 | 8.809,53 |
| GH4710907510 | HGHT-V/4/8-1000-9/-7,5/1,5 | 7,5 | 1,5 | 15,9 | 4,72 | 292 | E05 | 9.205,29 |
| GH4710911030 | HGHT-V/4/8-1000-9/-11/3 | 11 | 3 | 21 | 7 | 323 | E05 | 10.231,26 |
| GH4710914030 | HGHT-V/4/8-1000-9/-14/3,5 | 14 | 3,5 | 26,5 | 8,45 | 342 | E05 | 10.620,61 |
| GH4710917040 | HGHT-V/4/8-1000-9/-17/4,3 | 17 | 4,3 | 33,4 | 12,7 | 373 | E05 | 13.051,22 |
| GH4710920050 | HGHT-V/4/8-1000-9/-20/5 | 20 | 5 | 38,6 | 14,1 | 388 | E05 | 13.620,06 |

| | | | | | | | | |
|--------------|---------------------------|----|-----|------|------|-----|-----|------------------|
| GH4712611030 | HGHT-V/4/8-1250-6/-11/3 | 11 | 3 | 21 | 7 | 440 | E05 | 11.593,41 |
| GH4712614030 | HGHT-V/4/8-1250-6/-14/3,5 | 14 | 3,5 | 26,5 | 8,45 | 459 | E05 | 11.951,99 |
| GH4712617040 | HGHT-V/4/8-1250-6/-17/4,3 | 17 | 4,3 | 33,4 | 12,7 | 490 | E05 | 14.452,87 |
| GH4712620050 | HGHT-V/4/8-1250-6/-20/5 | 20 | 5 | 38,6 | 14,1 | 505 | E05 | 14.663,34 |
| GH4712628060 | HGHT-V/4/8-1250-6/-28/6,5 | 28 | 6,5 | 52 | 18 | 563 | E05 | 16.692,97 |
| GH4712630080 | HGHT-V/4/8-1250-6/-30/8 | 30 | 8 | 56,5 | 21,8 | 593 | E05 | 16.655,87 |
| GH4712637090 | HGHT-V/4/8-1250-6/-37/9,2 | 37 | 9,2 | 74,2 | 25,4 | 696 | E05 | 18.572,42 |
| GH4712644010 | HGHT-V/4/8-1250-6/-44/11 | 44 | 11 | 80,2 | 27,2 | 753 | E05 | 19.918,78 |

| | | | | | | | | |
|--------------|---------------------------|----|-----|------|------|-----|-----|------------------|
| GH4712914030 | HGHT-V/4/8-1250-9/-14/3,5 | 14 | 3,5 | 26,5 | 8,45 | 469 | E05 | 12.142,05 |
| GH4712917040 | HGHT-V/4/8-1250-9/-17/4,3 | 17 | 4,3 | 33,4 | 12,7 | 500 | E05 | 14.642,95 |
| GH4712920050 | HGHT-V/4/8-1250-9/-20/5 | 20 | 5 | 38,6 | 14,1 | 515 | E05 | 14.853,39 |
| GH4712928060 | HGHT-V/4/8-1250-9/-28/6,5 | 28 | 6,5 | 52 | 18 | 573 | E05 | 16.883,04 |
| GH4712930080 | HGHT-V/4/8-1250-9/-30/8 | 30 | 8 | 56,5 | 21,8 | 603 | E05 | 16.845,95 |
| GH4712937090 | HGHT-V/4/8-1250-9/-37/9,2 | 37 | 9,2 | 74,2 | 25,4 | 706 | E05 | 18.762,49 |
| GH4712944010 | HGHT-V/4/8-1250-9/-44/11 | 44 | 11 | 80,2 | 27,2 | 763 | E05 | 20.108,87 |

ACCESORIOS ESPECÍFICOS PARA LA SERIE HGHT-V

JBS-V

Base soporte

[Ver códigos y precios en Accesorios de Montaje específicos de Tejado]

Serie CHGT



Configuración modelos 400 a 800



Configuración modelos 900 a 1250

Ventiladores helicoidales, capacitados para trabajar inmersos a 400°C/2h ó a 300°C/2h, fabricados en chapa galvanizada, con aislamiento interior ignífugo [M0] de fibra de vidrio de 25 mm de espesor, hélice de aluminio tipo "aerofoil", con casquillo de arrastre de acero y motor trifásico, IP55, Clase H, para funcionar en uso continuo [S1] o emergencia [S2].
Temperatura ambiente de trabajo: -20°C a +50°C.

Motores

De 4 ó 6 polos, según versiones.
De 2 velocidades (4/8 ó 6/12 polos), bajo demanda.
Motores 400°C/2h: IP55, Clase H.
Tensión de alimentación
Trifásicos
230/400V-50Hz, hasta 3 kW
400V-50Hz, para potencias superiores
(Ver cuadro de características).

Motores regulables por variación de frecuencia.
En caso de emergencia el ventilador puede ir alimentado a través del variador, siempre que sea de la serie VFTM, y/o se cumplan los requisitos detallados en UNE EN 12101-3.

Otros datos

Sentido del aire Motor-Hélice (flujo A).
Montaje en flujo horizontal.

Consultar EasyVent para seleccionar el equipo idóneo para la instalación, y obtener la ficha técnica correspondiente.



Aplicaciones específicas



Homologados según norma EN12101-3.
Certificación nº 0370-CPD-0420



Homologados según norma EN12101-3.
Certificación nº 0370-CPD-0955



Parkings

CARACTERÍSTICAS TÉCNICAS - 4 polos - 1450 rpm

Es imprescindible comprobar que las características eléctricas (voltaje, intensidad, frecuencia, etc) del motor que aparecen en la placa del mismo son compatibles con las de la instalación.

| Modelo | Potencia motor (kW) | Intensidad nominal motor (A) | | Caudal máximo (m³/h) | Código 400°C/2h | Precio 400°C/2h €/u. | Código 300°C/2h | Precio 300°C/2h €/u. | Grupo producto |
|--------------------|---------------------|------------------------------|-------|----------------------|-----------------|----------------------|-----------------|----------------------|----------------|
| | | 230 V | 400 V | | | | | | |
| CHGT/4-400-6/-0,25 | 0,25 | 1,4 | 0,8 | 4.340 | G84406002U0 | 2.740,53 | GP54406002U | 1.512,43 | E04 |
| CHGT/4-450-6/-0,25 | 0,25 | 1,4 | 0,8 | 5.100 | G84456002U0 | 2.777,63 | GP54456002U | 1.592,54 | E04 |
| CHGT/4-450-6/-0,37 | 0,37 | 1,8 | 1,1 | 6.200 | G84456003U0 | 2.863,53 | GP54456003U | 1.625,03 | E04 |
| CHGT/4-450-6/-0,55 | 0,55 | 2,2 | 1,3 | 7.390 | G84456005U02 | 2.952,06 | GP54456005U2 | 1.658,22 | E04 |
| CHGT/4-500-6/-0,55 | 0,55 | 2,2 | 1,3 | 7.930 | G84506005U02 | 3.093,21 | GP54506005U2 | 1.692,31 | E04 |
| CHGT/4-500-6/-0,75 | 0,75 | 2,8 | 1,6 | 10.090 | G84506007U03 | 3.246,75 | GP54506007U3 | 1.895,56 | E04 |
| CHGT/4-500-6/-1,1 | 1,1 | 4,2 | 2,4 | 10.510 | G84506011U03 | 3.347,48 | GP54506011U3 | 1.924,85 | E04 |
| CHGT/4-560-6/-0,55 | 0,55 | 2,2 | 1,3 | 8.920 | G84566005U02 | 3.138,00 | GP54566005U2 | 1.809,09 | E04 |
| CHGT/4-560-6/-0,75 | 0,75 | 2,8 | 1,6 | 10.340 | G84566007U03 | 3.274,48 | GP54566007U3 | 2.012,35 | E04 |
| CHGT/4-560-6/-1,1 | 1,1 | 4,2 | 2,4 | 13.340 | G84566011U03 | 3.372,72 | GP54566011U3 | 2.047,27 | E04 |
| CHGT/4-560-6/-1,5 | 1,5 | 5,7 | 3,3 | 15.080 | G84566015U03 | 3.706,00 | GP54566015U3 | 2.087,02 | E04 |
| CHGT/4-560-6/-2,2 | 2,2 | 8,1 | 4,6 | 15.700 | G84566022U03 | 3.930,63 | GP54566022U3 | 2.399,00 | E04 |
| CHGT/4-630-6/-0,75 | 0,75 | 2,8 | 1,6 | 11.450 | G84636007U03 | 3.380,03 | GP54636007U3 | 2.065,61 | E04 |
| CHGT/4-630-6/-1,1 | 1,1 | 4,2 | 2,4 | 14.450 | G84636011U03 | 3.480,31 | GP54636011U3 | 2.099,14 | E04 |
| CHGT/4-630-6/-1,5 | 1,5 | 5,7 | 3,3 | 16.830 | G84636015U03 | 3.796,09 | GP54636015U3 | 2.138,92 | E04 |
| CHGT/4-630-6/-2,2 | 2,2 | 8,1 | 4,6 | 20.290 | G84636022U03 | 4.147,11 | GP54636022U3 | 2.445,92 | E04 |
| CHGT/4-630-6/-3 | 3 | 10,7 | 6,2 | 23.590 | G84636030U03 | 4.700,50 | GP54636030U3 | 2.636,85 | E04 |
| CHGT/4-710-3/-0,75 | 0,75 | 2,8 | 1,6 | 15.670 | — | — | GP54713007U3 | 2.185,46 | E04 |
| CHGT/4-710-3/-1,1 | 1,1 | 4,2 | 2,4 | 19.300 | — | — | GP54713011U3 | 2.219,01 | E04 |
| CHGT/4-710-3/-1,5 | 1,5 | 5,7 | 3,3 | 22.490 | — | — | GP54713015U3 | 2.258,81 | E04 |
| CHGT/4-710-3/-2,2 | 2,2 | 8,1 | 4,6 | 24.680 | — | — | GP54713022U3 | 2.575,75 | E04 |
| CHGT/4-710-3/-3 | 3 | 10,7 | 6,2 | 26.640 | — | — | GP54713030U3 | 2.771,47 | E04 |
| CHGT/4-710-5/-1,1 | 1,1 | 4,2 | 2,4 | 14.870 | G84715011U03 | 3.613,29 | — | — | E04 |
| CHGT/4-710-5/-1,5 | 1,5 | 5,7 | 3,3 | 18.140 | G84715015U03 | 3.940,89 | — | — | E04 |
| CHGT/4-710-5/-2,2 | 2,2 | 8,1 | 4,6 | 21.740 | G84715022U03 | 4.209,92 | — | — | E04 |
| CHGT/4-710-5/-3 | 3 | 10,7 | 6,2 | 26.270 | G84715030U03 | 4.774,81 | — | — | E04 |
| CHGT/4-710-5/-4 | 4 | - | 8,1 | 27.000 | G84715040U03 | 5.155,24 | — | — | E04 |
| CHGT/4-710-5/-5,5 | 5,5 | - | 10,5 | 31.550 | G84715055U03 | 5.567,48 | — | — | E04 |

CARACTERÍSTICAS TÉCNICAS - 4 polos - 1450 rpm (continuación)

| Modelo | Potencia motor (kW) | Intensidad nominal motor [A] | | Caudal máximo (m³/h) | Código 400°C/2h | Precio 400°C/2h €/u. | Código 300°C/2h | Precio 300°C/2h €/u. | Grupo producto |
|--------------------|---------------------|------------------------------|-------|----------------------|-----------------|----------------------|-----------------|----------------------|----------------|
| | | 230 V | 400 V | | | | | | |
| CHGT/4-710-6/-1,1 | 1,1 | 4,2 | 2,4 | 14.870 | — | — | GP54716011U3 | 2.408,11 | E04 |
| CHGT/4-710-6/-1,5 | 1,5 | 5,7 | 3,3 | 18.590 | — | — | GP54716015U3 | 2.447,90 | E04 |
| CHGT/4-710-6/-2,2 | 2,2 | 8,1 | 4,6 | 22.280 | — | — | GP54716022U3 | 2.764,85 | E04 |
| CHGT/4-710-6/-3 | 3 | 10,7 | 6,2 | 27.380 | — | — | GP54716030U3 | 2.960,56 | E04 |
| CHGT/4-710-6/-4 | 4 | - | 8,1 | 29.930 | — | — | GP54716040U3 | 3.199,87 | E04 |
| CHGT/4-710-7/-1,1 | 1,1 | 4,2 | 2,4 | 14.870 | G84717011U03 | 3.662,57 | — | — | E04 |
| CHGT/4-710-7/-1,5 | 1,5 | 5,7 | 3,3 | 18.140 | G84717015U03 | 3.990,19 | — | — | E04 |
| CHGT/4-710-7/-2,2 | 2,2 | 8,1 | 4,6 | 21.740 | G84717022U03 | 4.259,23 | — | — | E04 |
| CHGT/4-710-7/-3 | 3 | 10,7 | 6,2 | 26.270 | G84717030U03 | 4.824,10 | — | — | E04 |
| CHGT/4-710-7/-4 | 4 | - | 8,1 | 27.550 | G84717040U03 | 5.204,54 | — | — | E04 |
| CHGT/4-710-7/-5,5 | 5,5 | - | 10,5 | 31.550 | G84717055U03 | 5.616,78 | — | — | E04 |
| CHGT/4-800-3/-1,1 | 1,1 | 4,2 | 2,4 | 18.810 | G84803011U03 | 3.955,95 | GP54803011U3 | 2.489,96 | E04 |
| CHGT/4-800-3/-1,5 | 1,5 | 5,7 | 3,3 | 22.430 | G84803015U03 | 4.142,58 | GP54803015U3 | 2.529,75 | E04 |
| CHGT/4-800-3/-2,2 | 2,2 | 8,1 | 4,6 | 25.110 | G84803022U03 | 4.378,82 | GP54803022U3 | 2.874,73 | E04 |
| CHGT/4-800-3/-3 | 3 | 10,7 | 6,2 | 30.340 | G84803030U03 | 4.880,44 | GP54803030U3 | 3.065,63 | E04 |
| CHGT/4-800-3/-4 | 4 | - | 8,1 | 31.780 | G84803040U03 | 5.284,37 | GP54803040U3 | 3.270,80 | E04 |
| CHGT/4-800-3/-5,5 | 5,5 | - | 10,5 | 35.050 | G84803055U03 | 5.660,40 | GP54803055U3 | 3.481,51 | E04 |
| CHGT/4-800-6/-1,5 | 1,5 | 5,7 | 3,3 | 16.610 | G84806015U03 | 4.285,82 | GP54806015U3 | 2.718,83 | E04 |
| CHGT/4-800-6/-2,2 | 2,2 | 8,1 | 4,6 | 20.980 | G84806022U03 | 4.522,11 | GP54806022U3 | 3.063,79 | E04 |
| CHGT/4-800-6/-3 | 3 | 10,7 | 6,2 | 26.600 | G84806030U03 | 5.037,89 | GP54806030U3 | 3.254,74 | E04 |
| CHGT/4-800-6/-4 | 4 | - | 8,1 | 29.400 | G84806040U03 | 5.542,03 | GP54806040U3 | 3.459,90 | E04 |
| CHGT/4-800-6/-5,5 | 5,5 | - | 10,5 | 35.310 | G84806055U03 | 5.903,91 | GP54806055U3 | 3.659,50 | E04 |
| CHGT/4-800-6/-7,5 | 7,5 | - | 14,1 | 39.290 | G84806075U0 | 6.827,46 | GP54806075U | 3.948,30 | E04 |
| CHGT/4-800-9/-2,2 | 2,2 | 8,1 | 4,6 | 17.820 | G84809022U03 | 4.679,52 | GP54809022U3 | 3.252,98 | E04 |
| CHGT/4-800-9/-3 | 3 | 10,7 | 6,2 | 23.830 | G84809030U03 | 5.209,80 | GP54809030U3 | 3.443,91 | E04 |
| CHGT/4-800-9/-4 | 4 | - | 8,1 | 26.230 | G84809040U03 | 5.699,65 | GP54809040U3 | 3.649,08 | E04 |
| CHGT/4-800-9/-5,5 | 5,5 | - | 10,5 | 33.280 | G84809055U03 | 6.061,47 | GP54809055U3 | 3.837,52 | E04 |
| CHGT/4-800-9/-7,5 | 7,5 | - | 14,1 | 39.590 | G84809075U0 | 7.013,58 | GP54809075U | 4.126,32 | E04 |
| CHGT/4-900-3/-2,2 | 2,2 | 8,1 | 4,6 | 26.900 | G84903022U03 | 4.784,74 | GP54903022U3 | 3.372,55 | E04 |
| CHGT/4-900-3/-3 | 3 | 10,7 | 6,2 | 32.190 | G84903030U03 | 5.162,52 | GP54903030U3 | 3.556,77 | E04 |
| CHGT/4-900-3/-4 | 4 | - | 8,1 | 38.630 | G84903040U03 | 5.596,41 | GP54903040U3 | 3.773,60 | E04 |
| CHGT/4-900-3/-5,5 | 5,5 | - | 10,5 | 42.650 | G84903055U03 | 6.013,54 | GP54903055U3 | 4.248,28 | E04 |
| CHGT/4-900-3/-7,5 | 7,5 | - | 14,1 | 48.470 | G84903075U0 | 6.862,31 | GP54903075U | 4.667,85 | E04 |
| CHGT/4-900-6/-3 | 3 | 10,7 | 6,2 | 27.780 | G84906030U03 | 5.249,80 | GP54906030U3 | 3.734,76 | E04 |
| CHGT/4-900-6/-4 | 4 | - | 8,1 | 33.990 | G84906040U03 | 5.682,12 | GP54906040U3 | 4.006,35 | E04 |
| CHGT/4-900-6/-5,5 | 5,5 | - | 10,5 | 36.790 | G84906055U03 | 6.088,77 | GP54906055U3 | 4.589,02 | E04 |
| CHGT/4-900-6/-7,5 | 7,5 | - | 14,1 | 43.690 | G84906075U0 | 6.954,42 | GP54906075U | 4.845,80 | E04 |
| CHGT/4-900-6/-11 | 11 | - | 21,2 | 55.600 | G84906110U0 | 9.346,12 | GP54906110U | 5.876,05 | E04 |
| CHGT/4-900-9/-5,5 | 5,5 | - | 10,5 | 33.130 | G84909055U03 | 6.196,46 | GP54909055U3 | 4.735,03 | E04 |
| CHGT/4-900-9/-7,5 | 7,5 | - | 14,1 | 38.530 | G84909075U0 | 7.073,51 | GP54909075U | 5.023,84 | E04 |
| CHGT/4-900-9/-11 | 11 | - | 21,2 | 49.130 | G84909110U0 | 9.466,10 | GP54909110U | 6.054,10 | E04 |
| CHGT/4-900-9/-15 | 15 | - | 28,7 | 58.470 | G84909150U0 | 10.950,36 | GP54909150U | 6.590,51 | E04 |
| CHGT/4-1000-3/-3 | 3 | 10,7 | 6,2 | 37.520 | G84103030U03 | 5.383,41 | GP54103030U3 | 3.863,61 | E04 |
| CHGT/4-1000-3/-4 | 4 | - | 8,1 | 43.600 | G84103040U03 | 5.803,38 | GP54103040U3 | 4.152,19 | E04 |
| CHGT/4-1000-3/-5,5 | 5,5 | - | 10,5 | 50.370 | G84103055U03 | 6.247,94 | GP54103055U3 | 4.736,30 | E04 |
| CHGT/4-1000-3/-7,5 | 7,5 | - | 14,1 | 57.620 | G84103075U0 | 7.079,96 | GP54103075U | 5.043,17 | E04 |
| CHGT/4-1000-3/-11 | 11 | - | 21,2 | 64.620 | G84103011U0 | 9.411,67 | GP54103011U | 6.138,90 | E04 |

CARACTERÍSTICAS TÉCNICAS - 4 polos - 1450 rpm (continuación)

| Modelo | Potencia motor (kW) | Intensidad nominal motor (A) | | Caudal máximo (m³/h) | Código 400°C/2h | Precio 400°C/2h €/u. | Código 300°C/2h | Precio 300°C/2h €/u. | Grupo producto |
|---------------------|---------------------|------------------------------|-------|----------------------|-----------------|----------------------|-----------------|----------------------|----------------|
| | | 230 V | 400 V | | | | | | |
| CHGT/4-1000-6/-4 | 4 | - | 8,1 | 35.840 | G84106040U03 | 5.937,13 | GP54106040U3 | 4.341,26 | E04 |
| CHGT/4-1000-6/-5,5 | 5,5 | - | 10,5 | 39.900 | G84106055U03 | 6.348,23 | GP54106055U3 | 4.925,42 | E04 |
| CHGT/4-1000-6/-7,5 | 7,5 | - | 14,1 | 47.980 | G84106075U0 | 7.194,45 | GP54106075U | 5.232,28 | E04 |
| CHGT/4-1000-6/-11 | 11 | - | 21,2 | 62.460 | G84106110U0 | 9.569,03 | GP54106110U | 6.328,03 | E04 |
| CHGT/4-1000-6/-15 | 15 | - | 28,7 | 67.420 | G84106150U0 | 11.053,34 | GP54106150U | 6.485,45 | E04 |
| CHGT/4-1000-6/-18,5 | 18,5 | - | 35,1 | 77.090 | G84106185U0 | 13.033,16 | GP54106185U | 8.340,30 | E04 |
| CHGT/4-1000-9/-7,5 | 7,5 | - | 14,1 | 43.570 | G84109075U0 | 7.524,04 | GP54109075U | 5.421,43 | E04 |
| CHGT/4-1000-9/-11 | 11 | - | 21,2 | 55.340 | G84109110U0 | 9.769,60 | GP54109110U | 6.517,19 | E04 |
| CHGT/4-1000-9/-15 | 15 | - | 28,7 | 64.670 | G84109150U0 | 11.210,84 | GP54109150U | 6.678,55 | E04 |
| CHGT/4-1000-9/-18,5 | 18,5 | - | 35,1 | 68.740 | G84109185U0 | 13.207,67 | GP54109185U | 8.522,02 | E04 |
| CHGT/4-1000-9/-22 | 22 | - | 40,5 | 76.330 | G84109220U0 | 14.788,39 | GP54109220U | 8.976,86 | E04 |
| CHGT/4-1250-3/-7,5 | 7,5 | - | 14,1 | 66.600 | G84123075U0 | 9.275,05 | GP54123075U | 5.113,55 | E04 |
| CHGT/4-1250-3/-11 | 11 | - | 21,2 | 82.400 | G84123110U0 | 11.147,88 | GP54123110U | 6.209,32 | E04 |
| CHGT/4-1250-3/-15 | 15 | - | 28,7 | 98.800 | G84123150U0 | 12.127,87 | GP54123150U | 7.449,24 | E04 |
| CHGT/4-1250-3/-18,5 | 18,5 | - | 35,1 | 103.800 | G84123185U0 | 14.123,82 | GP54123185U | 9.234,80 | E04 |
| CHGT/4-1250-3/-22 | 22 | - | 40,5 | 113.600 | G84123220U0 | 15.861,06 | GP54123220U | 9.718,03 | E04 |
| CHGT/4-1250-3/-30 | 30 | - | 56,2 | 125.760 | G84123300U0 | 19.350,40 | GP54123300U | 11.420,85 | E04 |
| CHGT/4-1250-6/-11 | 11 | - | 20,9 | 70.000 | G84126110U0 | 12.127,87 | GP4126110U0 | 7.449,24 | E04 |
| CHGT/4-1250-6/-15 | 15 | - | 28,7 | 77.850 | G84126150U0 | 12.349,91 | GP54126150U | 7.653,72 | E04 |
| CHGT/4-1250-6/-18,5 | 18,5 | - | 35,1 | 94.330 | G84126185U0 | 14.345,87 | GP54126185U | 9.439,22 | E04 |
| CHGT/4-1250-6/-22 | 22 | - | 40,5 | 104.270 | G84126220U0 | 16.083,10 | GP54126220U | 9.922,49 | E04 |
| CHGT/4-1250-6/-30 | 30 | - | 56,2 | 117.690 | G84126300U0 | 19.572,42 | GP54126300U | 11.625,28 | E04 |
| CHGT/4-1250-6/-37 | 37 | - | 66,6 | 128.170 | G84126370U0 | 21.210,53 | GP54126370U | 13.610,63 | E04 |
| CHGT/4-1250-6/-45 | 45 | - | 80,7 | 141.650 | G84126450U0 | 23.208,73 | GP54126450U | 15.118,54 | E04 |
| CHGT/4-1250-9/-15 | 15 | - | 28,7 | 63.810 | G84129150U0 | 12.574,41 | GP54129150U | 7.858,23 | E04 |
| CHGT/4-1250-9/-18,5 | 18,5 | - | 35,1 | 80.890 | G84129185U0 | 14.569,67 | GP54129185U | 9.643,77 | E04 |
| CHGT/4-1250-9/-22 | 22 | - | 40,5 | 87.670 | G84129220U0 | 16.288,79 | GP54129220U | 10.127,04 | E04 |
| CHGT/4-1250-9/-30 | 30 | - | 56,2 | 112.950 | G84129300U0 | 19.795,37 | GP54129300U | 11.829,84 | E04 |
| CHGT/4-1250-9/-37 | 37 | - | 66,6 | 121.630 | G84129370U0 | 21.424,28 | GP54129370U | 13.815,17 | E04 |
| CHGT/4-1250-9/-45 | 45 | - | 80,7 | 129.280 | G84129450U0 | 23.422,45 | GP54129450U | 15.321,22 | E04 |

CARACTERÍSTICAS TÉCNICAS - 6 polos - 950 rpm

| Modelo | Potencia motor (kW) | Intensidad nominal motor (A) | | Caudal máximo (m³/h) | Código 400°C/2h | Precio 400°C/2h €/u. | Código 300°C/2h | Precio 300°C/2h €/u. | Grupo producto |
|--------------------|---------------------|------------------------------|-------|----------------------|-----------------|----------------------|-----------------|----------------------|----------------|
| | | 230 V | 400 V | | | | | | |
| CHGT/6-560-6/-0,55 | 0,55 | 2,6 | 1,5 | 10.330 | G86566005U02 | 3.570,46 | GP56566005U2 | 1.825,73 | E04 |
| CHGT/6-630-6/-0,55 | 0,55 | 2,6 | 1,5 | 12.650 | G86636005U02 | 3.633,30 | GP56636005U2 | 1.878,97 | E04 |
| CHGT/6-630-6/-0,75 | 0,75 | 3,4 | 2,0 | 13.760 | G86636007U03 | 4.138,91 | GP56636007U3 | 2.231,50 | E04 |
| CHGT/6-630-6/-1,1 | 1,1 | 4,8 | 2,8 | 14.980 | G86636011U03 | 4.261,17 | GP56636011U3 | 2.269,54 | E04 |
| CHGT/6-710-3/-0,55 | 0,55 | 2,6 | 1,5 | 15.120 | — | — | GP56713005U2 | 2.178,21 | E04 |
| CHGT/6-710-3/-0,75 | 0,75 | 3,4 | 2,0 | 17.190 | — | — | GP56713007U3 | 2.539,98 | E04 |
| CHGT/6-710-5/-0,55 | 0,55 | 2,6 | 1,5 | 13.610 | G86715005U02 | 3.966,99 | — | — | E04 |
| CHGT/6-710-5/-0,75 | 0,75 | 3,4 | 2,0 | 15.470 | G86715007U03 | 4.280,30 | — | — | E04 |
| CHGT/6-710-5/-1,1 | 1,1 | 4,8 | 2,8 | 17.950 | G86715011U03 | 4.457,03 | — | — | E04 |
| CHGT/6-710-6/-0,55 | 0,55 | 2,6 | 1,5 | 13.610 | — | — | GP56716005U2 | 2.179,00 | E04 |
| CHGT/6-710-6/-0,75 | 0,75 | 3,4 | 2,0 | 16.090 | — | — | GP56716007U3 | 2.531,31 | E04 |
| CHGT/6-710-6/-1,1 | 1,1 | 4,8 | 2,8 | 19.490 | — | — | GP56716011U3 | 2.758,33 | E04 |
| CHGT/6-710-7/-0,55 | 0,55 | 2,6 | 1,5 | 12.960 | G86717005U02 | 4.016,28 | — | — | E04 |
| CHGT/6-710-7/-0,75 | 0,75 | 3,4 | 2,0 | 14.240 | G86717007U03 | 4.329,59 | — | — | E04 |
| CHGT/6-710-7/-1,1 | 1,1 | 4,8 | 2,8 | 18.130 | G86717011U03 | 4.506,31 | — | — | E04 |

CARACTERÍSTICAS TÉCNICAS - 6 polos - 950 rpm (continuación)

| Modelo | Potencia motor (kW) | Intensidad nominal motor (A) | | Caudal máximo (m³/h) | Código 400°C/2h | Precio 400°C/2h €/u. | Código 300°C/2h | Precio 300°C/2h €/u. | Grupo producto |
|---------------------|---------------------|------------------------------|-------|----------------------|-----------------|----------------------|-----------------|----------------------|----------------|
| | | 230 V | 400 V | | | | | | |
| CHGT/6-800-3/-0,75 | 0,75 | 3,4 | 2,0 | 19.740 | G86803007U03 | 4.543,50 | GP56803007U3 | 2.622,32 | E04 |
| CHGT/6-800-3/-1,1 | 1,1 | 4,8 | 2,8 | 21.240 | G86803011U03 | 4.655,95 | GP56803011U3 | 2.660,55 | E04 |
| CHGT/6-800-3/-1,5 | 1,5 | 6,5 | 3,7 | 23.190 | G86803015U03 | 5.302,28 | GP56803015U3 | 2.857,80 | E04 |
| CHGT/6-800-6/-0,75 | 0,75 | 3,4 | 2,0 | 16.180 | G86806007U03 | 4.674,31 | GP56806007U3 | 2.811,42 | E04 |
| CHGT/6-800-6/-1,1 | 1,1 | 4,8 | 2,8 | 19.940 | G86806011U03 | 4.808,27 | GP56806011U3 | 2.849,67 | E04 |
| CHGT/6-800-6/-1,5 | 1,5 | 6,5 | 3,7 | 22.280 | G86806015U03 | 5.454,62 | GP56806015U3 | 3.046,88 | E04 |
| CHGT/6-800-6/-2,2 | 2,2 | 9,2 | 5,3 | 25.940 | G86806022U03 | 6.048,45 | GP56806022U3 | 3.263,81 | E04 |
| CHGT/6-800-9/-0,75 | 0,75 | 3,4 | 2,0 | 14.040 | G86809007U03 | 5.046,85 | GP56809007U3 | 3.000,57 | E04 |
| CHGT/6-800-9/-1,1 | 1,1 | 4,8 | 2,8 | 17.160 | G86809011U03 | 5.252,62 | GP56809011U3 | 3.038,82 | E04 |
| CHGT/6-800-9/-1,5 | 1,5 | 6,5 | 3,7 | 19.190 | G86809015U03 | 5.855,91 | GP56809015U3 | 3.236,07 | E04 |
| CHGT/6-800-9/-2,2 | 2,2 | 9,2 | 5,3 | 23.610 | G86809022U03 | 6.435,36 | GP56809022U3 | 3.452,98 | E04 |
| CHGT/6-800-9/-3 | 3 | 12,7 | 7,3 | 26.270 | G86809030U03 | 7.269,27 | GP56809030U3 | 3.741,16 | E04 |
| CHGT/6-900-3/-1,5 | 1,5 | 6,4 | 3,7 | 28.200 | G86903015U03 | 5.560,16 | GP56903015U3 | 3.547,79 | E04 |
| CHGT/6-900-3/-2,2 | 2,2 | 9,2 | 5,3 | 31.930 | G86903022U03 | 6.072,90 | GP56903022U3 | 3.871,59 | E04 |
| CHGT/6-900-6/-1,5 | 1,5 | 6,5 | 3,7 | 22.120 | G86906015U03 | 5.647,90 | GP56906015U3 | 3.736,86 | E04 |
| CHGT/6-900-6/-2,2 | 2,2 | 9,2 | 5,3 | 26.070 | G86906022U03 | 6.152,79 | GP56906022U3 | 4.060,61 | E04 |
| CHGT/6-900-6/-3 | 3 | 12,7 | 7,3 | 35.130 | G86906030U03 | 7.190,53 | GP56906030U3 | 4.460,90 | E04 |
| CHGT/6-900-9/-1,5 | 1,5 | 6,5 | 3,7 | 21.920 | G86909015U03 | 5.739,71 | GP56909015U3 | 3.926,01 | E04 |
| CHGT/6-900-9/-2,2 | 2,2 | 9,2 | 5,3 | 28.270 | G86909022U03 | 6.244,45 | GP56909022U3 | 4.249,80 | E04 |
| CHGT/6-900-9/-3 | 3 | 12,7 | 7,3 | 32.550 | G86909030U03 | 7.281,87 | GP56909030U3 | 4.531,64 | E04 |
| CHGT/6-900-9/-5,5 | 5,5 | - | 12,8 | 38.750 | G86909055U03 | 9.269,47 | GP56909055U3 | 5.200,35 | E04 |
| CHGT/6-1000-3/-1,5 | 1,5 | 6,5 | 3,7 | 31.780 | G86103015U03 | 5.678,73 | GP56103015U3 | 3.702,61 | E04 |
| CHGT/6-1000-3/-2,2 | 2,2 | 9,2 | 5,3 | 36.570 | G86103022U03 | 6.215,30 | GP56103022U3 | 3.956,00 | E04 |
| CHGT/6-1000-3/-3 | 3 | 12,7 | 7,3 | 42.040 | G86103030U03 | 7.235,51 | GP56103030U3 | 4.521,08 | E04 |
| CHGT/6-1000-3/-4 | 4 | - | 9,5 | 43.480 | G86103040U03 | 8.467,81 | GP56103040U3 | 4.840,16 | E04 |
| CHGT/6-1000-6/-1,5 | 1,5 | 6,5 | 3,7 | 26.310 | G86106015U03 | 5.821,96 | GP56106015U3 | 3.821,39 | E04 |
| CHGT/6-1000-6/-2,2 | 2,2 | 9,2 | 5,3 | 31.860 | G86106022U03 | 6.315,39 | GP56106022U3 | 4.145,18 | E04 |
| CHGT/6-1000-6/-3 | 3 | 12,7 | 7,3 | 37.420 | G86106030U03 | 7.335,68 | GP56106030U3 | 4.705,69 | E04 |
| CHGT/6-1000-6/-4 | 4 | - | 9,5 | 41.750 | G86106040U03 | 8.582,42 | GP56106040U3 | 5.038,23 | E04 |
| CHGT/6-1000-6/-5,5 | 5,5 | - | 12,8 | 51.620 | G86106055U03 | 9.338,69 | GP56106055U3 | 5.419,80 | E04 |
| CHGT/6-1000-9/-2,2 | 2,2 | 9,2 | 5,3 | 25.770 | G86109022U03 | 6.874,05 | GP56109022U3 | 4.334,35 | E04 |
| CHGT/6-1000-9/-3 | 3 | 12,7 | 7,3 | 34.920 | G86109030U03 | 7.751,18 | GP56109030U3 | 5.013,42 | E04 |
| CHGT/6-1000-9/-4 | 4 | - | 9,5 | 37.810 | G86109040U03 | 8.883,38 | GP56109040U3 | 5.227,38 | E04 |
| CHGT/6-1000-9/-5,5 | 5,5 | - | 12,8 | 47.950 | G86109055U03 | 9.638,29 | GP56109055U3 | 5.608,99 | E04 |
| CHGT/6-1000-9/-7,5 | 7,5 | - | 15,0 | 54.100 | G86109075U0 | 10.477,50 | GP56109075U | 6.042,02 | E04 |
| CHGT/6-1250-3/-2,2 | 2,2 | 9,2 | 5,3 | 37.200 | G86123022U03 | 8.321,41 | GP56123022U3 | 5.761,24 | E04 |
| CHGT/6-1250-3/-3 | 3 | 12,7 | 7,3 | 49.380 | G86123030U03 | 9.412,84 | GP56123030U3 | 6.439,30 | E04 |
| CHGT/6-1250-3/-4 | 4 | - | 9,5 | 58.740 | G86123040U03 | 10.492,08 | GP56123040U3 | 6.654,18 | E04 |
| CHGT/6-1250-3/-5,5 | 5,5 | - | 12,8 | 68.620 | G86123055U03 | 10.631,15 | GP56123055U3 | 7.035,76 | E04 |
| CHGT/6-1250-3/-7,5 | 7,5 | - | 15,0 | 77.860 | G86123075U0 | 11.988,29 | GP56123075U | 7.985,09 | E04 |
| CHGT/6-1250-3/-11 | 11 | - | 22,0 | 80.980 | G86123110U0 | 13.669,25 | GP56123110U | 8.989,34 | E04 |
| CHGT/6-1250-6/-4 | 4 | - | 9,5 | 46.060 | G86126040U03 | 10.714,14 | GP56126040U3 | 6.843,30 | E04 |
| CHGT/6-1250-6/-5,5 | 5,5 | - | 12,8 | 63.000 | G86126055U03 | 10.828,06 | GP56126055U3 | 7.224,87 | E04 |
| CHGT/6-1250-6/-7,5 | 7,5 | - | 15,0 | 73.400 | G86126075U0 | 12.210,31 | GP56126075U | 8.174,19 | E04 |
| CHGT/6-1250-6/-11 | 11 | - | 22,0 | 86.950 | G86126110U0 | 13.891,29 | GP56126110U | 9.178,39 | E04 |
| CHGT/6-1250-6/-15 | 15 | - | 27,9 | 97.590 | G86126150U0 | 19.209,16 | GP56126150U | 9.392,98 | E04 |
| CHGT/6-1250-9/-5,5 | 5,5 | - | 12,8 | 52.230 | G86129055U03 | 11.018,53 | GP56129055U3 | 7.414,05 | E04 |
| CHGT/6-1250-9/-7,5 | 7,5 | - | 15,0 | 62.880 | G86129075U0 | 12.425,16 | GP56129075U | 8.363,38 | E04 |
| CHGT/6-1250-9/-11 | 11 | - | 22,0 | 82.550 | G86129110U0 | 14.103,74 | GP56129110U | 9.367,59 | E04 |
| CHGT/6-1250-9/-15 | 15 | - | 27,9 | 92.590 | G86129150U0 | 19.424,77 | GP56129150U | 9.597,49 | E04 |
| CHGT/6-1250-9/-18,5 | 18,5 | - | 35,7 | 101.820 | G86129185U0 | 20.793,95 | GP56129185U | 11.629,52 | E04 |
| CHGT/6-1250-9/-22 | 22 | - | 42,3 | 106.160 | G86129220U0 | 21.614,61 | GP56129220U | 12.074,66 | E04 |

MODELOS CHGT DE 2 VELOCIDADES

CARACTERÍSTICAS TÉCNICAS - 4/8 polos - 1450/730 rpm

| Modelo | Potencia motor (kW) | | Intensidad nominal motor (A) | | Código 400°C/2h | Precio 400°C/2h €/u. | Código 300°C/2h | Precio 300°C/2h €/u. | Grupo producto |
|---------------------------|---------------------|------|------------------------------|-----|-----------------|----------------------|-----------------|----------------------|----------------|
| | V.1 | V.2 | V.1 | V.2 | | | | | |
| CHGT/4/8-400-6/-0,55/0,09 | 0,55 | 0,09 | 1,7 | 0,8 | G8740600500 | 3.416,05 | GP574060050 | 1.858,01 | E04 |
| CHGT/4/8-450-6/-0,55/0,09 | 0,55 | 0,09 | 1,7 | 0,8 | G8745600500 | 3.573,61 | GP574560050 | 1.990,95 | E04 |
| CHGT/4/8-500-6/-0,55/0,09 | 0,55 | 0,09 | 1,7 | 0,8 | G8750600500 | 3.807,99 | GP575060050 | 2.048,51 | E04 |
| CHGT/4/8-500-6/-0,75/0,12 | 0,75 | 0,12 | 2,3 | 0,9 | G8750600700 | 3.891,05 | GP575060070 | 2.128,97 | E04 |
| CHGT/4/8-500-6/-1,1/0,18 | 1,1 | 0,18 | 2,7 | 1,2 | G8750601100 | 4.066,25 | GP575060110 | 2.248,62 | E04 |
| CHGT/4/8-560-6/-0,55/0,09 | 0,55 | 0,09 | 1,7 | 0,8 | G8756600500 | 3.809,76 | GP575660050 | 2.165,27 | E04 |
| CHGT/4/8-560-6/-0,75/0,12 | 0,75 | 0,12 | 2,3 | 0,9 | G8756600700 | 3.894,52 | GP575660070 | 2.245,74 | E04 |
| CHGT/4/8-560-6/-1,1/0,18 | 1,1 | 0,18 | 2,7 | 1,2 | G8756601100 | 4.112,83 | GP575660110 | 2.360,70 | E04 |
| CHGT/4/8-560-6/-1,5/0,25 | 1,5 | 0,25 | 3,7 | 1,6 | G8756601500 | 4.454,47 | GP575660150 | 2.441,08 | E04 |
| CHGT/4/8-560-6/-2,2/0,37 | 2,2 | 0,37 | 4,7 | 1,7 | G8756602200 | 4.735,95 | GP575660220 | 2.680,40 | E04 |
| CHGT/4/8-630-6/-0,55/0,09 | 0,55 | 0,09 | 1,7 | 0,8 | G8763600500 | 3.943,16 | GP576360050 | 2.253,03 | E04 |
| CHGT/4/8-630-6/-0,75/0,12 | 0,75 | 0,12 | 2,3 | 0,9 | G8763600700 | 4.023,63 | GP576360070 | 2.298,99 | E04 |
| CHGT/4/8-630-6/-1,1/0,18 | 1,1 | 0,18 | 2,7 | 1,2 | G8763601100 | 4.240,66 | GP576360110 | 2.412,60 | E04 |
| CHGT/4/8-630-6/-1,5/0,25 | 1,5 | 0,25 | 3,7 | 1,6 | G8763601500 | 4.568,93 | GP576360150 | 2.495,17 | E04 |
| CHGT/4/8-630-6/-2,2/0,37 | 2,2 | 0,37 | 4,7 | 1,7 | G8763602200 | 4.854,71 | GP576360220 | 2.735,67 | E04 |
| CHGT/4/8-630-6/-3/0,55 | 3 | 0,55 | 6,3 | 2,4 | G8763603000 | 5.365,09 | GP576360300 | 2.905,16 | E04 |
| CHGT/4/8-630-6/-4/0,75 | 4 | 0,75 | 8,4 | 2,3 | G8763604000 | 5.794,30 | GP576360400 | 3.137,59 | E04 |
| CHGT/4/8-710-3/-0,55/0,09 | 0,55 | 0,09 | 1,7 | 0,8 | — | — | GP577130050 | 2.533,79 | E04 |
| CHGT/4/8-710-3/-0,75/0,12 | 0,75 | 0,12 | 1,9 | 0,8 | — | — | GP577130070 | 2.585,49 | E04 |
| CHGT/4/8-710-3/-1,1/0,18 | 1,1 | 0,18 | 2,7 | 1,2 | — | — | GP577130110 | 2.721,56 | E04 |
| CHGT/4/8-710-3/-1,5/0,25 | 1,5 | 0,25 | 3,7 | 1,6 | — | — | GP577130150 | 2.814,64 | E04 |
| CHGT/4/8-710-3/-2,2/0,37 | 2,2 | 0,37 | 4,7 | 1,7 | — | — | GP577130220 | 3.053,97 | E04 |
| CHGT/4/8-710-3/-3/0,55 | 3 | 0,55 | 6,3 | 2,4 | — | — | GP577130300 | 3.226,79 | E04 |
| CHGT/4/8-710-5/-0,75/0,12 | 0,75 | 0,12 | 1,9 | 0,8 | G8771500700 | 4.167,75 | — | — | E04 |
| CHGT/4/8-710-5/-1,1/0,18 | 1,1 | 0,18 | 2,7 | 1,2 | G8771501100 | 4.387,11 | — | — | E04 |
| CHGT/4/8-710-5/-1,5/0,25 | 1,5 | 0,25 | 3,7 | 1,6 | G8771501500 | 4.758,95 | — | — | E04 |
| CHGT/4/8-710-5/-2,2/0,37 | 2,2 | 0,37 | 4,7 | 1,7 | G8771502200 | 4.998,10 | — | — | E04 |
| CHGT/4/8-710-5/-3/0,55 | 3 | 0,55 | 6,3 | 2,4 | G8771503000 | 5.532,59 | — | — | E04 |
| CHGT/4/8-710-5/-4/0,75 | 4 | 0,75 | 8,4 | 2,3 | G8771504000 | 5.984,87 | — | — | E04 |
| CHGT/4/8-710-5/-5,5/1,1 | 5,5 | 1,1 | 11,7 | 3,7 | G8771505510 | 6.596,75 | — | — | E04 |
| CHGT/4/8-710-6/-0,75/0,12 | 0,75 | 0,12 | 1,9 | 0,8 | — | — | GP577160070 | 2.759,50 | E04 |
| CHGT/4/8-710-6/-1,1/0,18 | 1,1 | 0,18 | 2,7 | 1,2 | — | — | GP577160110 | 2.904,76 | E04 |
| CHGT/4/8-710-6/-1,5/0,25 | 1,5 | 0,25 | 3,7 | 1,6 | — | — | GP577160150 | 2.997,82 | E04 |
| CHGT/4/8-710-6/-2,2/0,37 | 2,2 | 0,37 | 4,7 | 1,7 | — | — | GP577160220 | 3.237,13 | E04 |
| CHGT/4/8-710-6/-3/0,55 | 3 | 0,55 | 6,3 | 2,4 | — | — | GP577160300 | 3.411,39 | E04 |
| CHGT/4/8-710-6/-4/0,75 | 4 | 0,75 | 8,4 | 2,3 | — | — | GP577160400 | 3.899,83 | E04 |
| CHGT/4/8-710-7/-1,1/0,18 | 1,1 | 0,18 | 2,7 | 1,2 | G8771701100 | 4.436,41 | — | — | E04 |
| CHGT/4/8-710-7/-1,5/0,25 | 1,5 | 0,25 | 3,7 | 1,6 | G8771701500 | 4.808,23 | — | — | E04 |
| CHGT/4/8-710-7/-2,2/0,37 | 2,2 | 0,37 | 4,7 | 1,7 | G8771702200 | 5.047,40 | — | — | E04 |
| CHGT/4/8-710-7/-3/0,55 | 3 | 0,55 | 6,3 | 2,4 | G8771703000 | 5.581,90 | — | — | E04 |
| CHGT/4/8-710-7/-4/0,75 | 4 | 0,75 | 8,4 | 2,3 | G8771704000 | 6.034,16 | — | — | E04 |
| CHGT/4/8-710-7/-5,5/1,1 | 5,5 | 1,1 | 11,7 | 3,7 | G8771705510 | 6.646,04 | — | — | E04 |
| CHGT/4/8-800-3/-1,1/0,18 | 1,1 | 0,18 | 2,7 | 1,2 | G8780301100 | 4.366,42 | GP578030110 | 2.803,43 | E04 |
| CHGT/4/8-800-3/-1,5/0,25 | 1,5 | 0,25 | 3,7 | 1,6 | G8780301500 | 4.694,76 | GP578030150 | 2.913,72 | E04 |
| CHGT/4/8-800-3/-2,2/0,37 | 2,2 | 0,37 | 4,7 | 1,7 | G8780302200 | 4.980,50 | GP578030220 | 3.159,70 | E04 |
| CHGT/4/8-800-3/-3/0,55 | 3 | 0,55 | 6,3 | 2,4 | G8780303000 | 5.465,31 | GP578030300 | 3.333,97 | E04 |
| CHGT/4/8-800-3/-4/0,75 | 4 | 0,75 | 8,4 | 2,3 | G8780304000 | 5.942,18 | GP578030400 | 3.813,28 | E04 |
| CHGT/4/8-800-3/-5,5/1,1 | 5,5 | 1,1 | 11,7 | 3,7 | G8780305510 | 6.513,33 | GP578030551 | 4.327,02 | E04 |
| CHGT/4/8-800-6/-1,5/0,25 | 1,5 | 0,25 | 3,7 | 1,6 | G8780601500 | 4.933,52 | GP578060150 | 3.102,86 | E04 |
| CHGT/4/8-800-6/-2,2/0,37 | 2,2 | 0,37 | 4,7 | 1,7 | G8780602200 | 5.219,27 | GP578060220 | 3.348,82 | E04 |
| CHGT/4/8-800-6/-3/0,55 | 3 | 0,55 | 6,3 | 2,4 | G8780603000 | 5.678,50 | GP578060300 | 3.523,08 | E04 |
| CHGT/4/8-800-6/-4/0,75 | 4 | 0,75 | 8,4 | 2,3 | G8780604000 | 6.254,96 | GP578060400 | 4.002,41 | E04 |
| CHGT/4/8-800-6/-5,5/1,1 | 5,5 | 1,1 | 11,7 | 3,7 | G8780605510 | 6.812,05 | GP578060551 | 4.516,12 | E04 |
| CHGT/4/8-800-6/-7,5/1,5 | 7,5 | 1,5 | 15,9 | 4,7 | G8780607510 | 7.654,84 | GP578060751 | 5.074,93 | E04 |

CARACTERÍSTICAS TÉCNICAS - 4/8 polos - 1450/730 rpm (continuación)

| Modelo | Potencia motor (kW) | | Intensidad nominal motor (A) | | Código 400°C/2h | Precio 400°C/2h €/u. | Código 300°C/2h | Precio 300°C/2h €/u. | Grupo producto |
|---------------------------|---------------------|------|------------------------------|------|-----------------|----------------------|-----------------|----------------------|----------------|
| | V.1 | V.2 | V.1 | V.2 | | | | | |
| CHGT/4/8-800-9/-2,2/0,37 | 2,2 | 0,37 | 4,7 | 1,7 | G8780902200 | 5.485,55 | GP578090220 | 3.542,75 | E04 |
| CHGT/4/8-800-9/-3/0,55 | 3 | 0,55 | 6,3 | 2,4 | G8780903000 | 5.899,61 | GP578090300 | 3.712,24 | E04 |
| CHGT/4/8-800-9/-4/0,75 | 4 | 0,75 | 8,4 | 2,3 | G8780904000 | 6.461,84 | GP578090400 | 4.191,60 | E04 |
| CHGT/4/8-800-9/-5,5/1,1 | 5,5 | 1,1 | 11,7 | 3,7 | G8780905510 | 6.999,30 | GP578090551 | 4.705,26 | E04 |
| CHGT/4/8-800-9/-7,5/1,5 | 7,5 | 1,5 | 15,9 | 4,7 | G8780907510 | 7.939,47 | GP578090751 | 5.264,11 | E04 |
| CHGT/4/8-900-3/-2,2/0,37 | 2,2 | 0,37 | 4,7 | 1,7 | G8790302200 | 5.726,01 | GP579030220 | 3.715,76 | E04 |
| CHGT/4/8-900-3/-3/0,55 | 3 | 0,55 | 6,3 | 2,4 | G8790303000 | 6.108,67 | GP579030300 | 3.809,32 | E04 |
| CHGT/4/8-900-3/-4/0,75 | 4 | 0,75 | 8,4 | 2,3 | G8790304000 | 6.641,92 | GP579030400 | 4.338,92 | E04 |
| CHGT/4/8-900-3/-5,5/1,1 | 5,5 | 1,1 | 11,7 | 3,7 | G8790305510 | 7.312,66 | GP579030551 | 4.792,60 | E04 |
| CHGT/4/8-900-3/-7,5/1,5 | 7,5 | 1,5 | 15,9 | 4,7 | G8790307510 | 8.228,20 | GP579030751 | 5.240,73 | E04 |
| CHGT/4/8-900-6/-2,2/0,37 | 2,2 | 0,37 | 4,7 | 1,7 | G8790602200 | 5.841,79 | GP579060220 | 3.706,17 | E04 |
| CHGT/4/8-900-6/-3/0,55 | 3 | 0,55 | 6,3 | 2,4 | G8790603000 | 6.281,47 | GP579060300 | 3.985,11 | E04 |
| CHGT/4/8-900-6/-4/0,75 | 4 | 0,75 | 8,4 | 2,3 | G8790604000 | 6.814,39 | GP579060400 | 4.516,93 | E04 |
| CHGT/4/8-900-6/-5,5/1,1 | 5,5 | 1,1 | 11,7 | 3,7 | G8790605510 | 7.476,42 | GP579060551 | 5.005,33 | E04 |
| CHGT/4/8-900-6/-7,5/1,5 | 7,5 | 1,5 | 15,9 | 4,7 | G8790607510 | 8.372,22 | GP579060751 | 5.517,57 | E04 |
| CHGT/4/8-900-6/-11/3 | 11 | 3 | 21 | 7 | G8790611030 | 10.527,76 | GP579061103 | 6.423,01 | E04 |
| CHGT/4/8-900-9/-4/0,75 | 4 | 0,75 | 8,4 | 2,3 | G8790904000 | 6.993,51 | GP579090400 | 4.846,68 | E04 |
| CHGT/4/8-900-9/-5,5/1,1 | 5,5 | 1,1 | 11,7 | 3,7 | G8790905510 | 7.685,17 | GP579090551 | 5.326,01 | E04 |
| CHGT/4/8-900-9/-7,5/1,5 | 7,5 | 1,5 | 15,9 | 4,7 | G8790907510 | 8.598,76 | GP579090751 | 5.783,49 | E04 |
| CHGT/4/8-900-9/-11/3 | 11 | 3 | 21 | 7 | G8790911030 | 10.734,95 | GP579091103 | 6.601,04 | E04 |
| CHGT/4/8-900-9/-14/3,5 | 14 | 3,5 | 26,5 | 8,5 | G8790914030 | 11.410,40 | GP579091403 | 7.502,82 | E04 |
| CHGT/4/8-900-9/-17/4,3 | 17 | 4,3 | 33,4 | 12,7 | G8790917040 | 13.022,73 | GP579091703 | 9.281,55 | E04 |
| CHGT/4/8-1000-3/-2,2/0,37 | 2,2 | 0,37 | 4,7 | 1,7 | G8710302200 | 5.932,88 | GP571032200 | 3.842,69 | E04 |
| CHGT/4/8-1000-3/-3/0,55 | 3 | 0,55 | 6,3 | 2,4 | G8710303000 | 6.379,44 | GP571030300 | 4.131,91 | E04 |
| CHGT/4/8-1000-3/-4/0,75 | 4 | 0,75 | 8,4 | 2,3 | G8710304000 | 6.897,42 | GP571030400 | 4.696,99 | E04 |
| CHGT/4/8-1000-3/-5,5/1,1 | 5,5 | 1,1 | 11,7 | 3,7 | G8710305510 | 7.821,88 | GP571030551 | 5.048,68 | E04 |
| CHGT/4/8-1000-3/-7,5/1,5 | 7,5 | 1,5 | 15,9 | 4,7 | G8710307510 | 8.537,35 | GP571030751 | 5.334,61 | E04 |
| CHGT/4/8-1000-3/-11/3 | 11 | 3 | 21 | 7 | G8710301130 | 10.786,36 | GP571031103 | 6.581,22 | E04 |
| CHGT/4/8-1000-6/-4/0,75 | 4 | 0,75 | 8,4 | 2,3 | G8710604000 | 7.173,90 | GP571060400 | 4.812,38 | E04 |
| CHGT/4/8-1000-6/-5,5/1,1 | 5,5 | 1,1 | 11,7 | 3,7 | G8710605510 | 8.049,01 | GP571060551 | 5.230,56 | E04 |
| CHGT/4/8-1000-6/-7,5/1,5 | 7,5 | 1,5 | 15,9 | 4,7 | G8710607510 | 8.796,41 | GP571060751 | 5.568,42 | E04 |
| CHGT/4/8-1000-6/-11/3 | 11 | 3 | 21 | 7 | G8710611030 | 11.056,97 | GP571061103 | 6.909,17 | E04 |
| CHGT/4/8-1000-6/-14/3,5 | 14 | 3,5 | 26,5 | 8,5 | G8710614030 | 11.599,53 | GP571061403 | 7.736,22 | E04 |
| CHGT/4/8-1000-6/-17/4,3 | 17 | 4,3 | 33,4 | 12,7 | G8710617040 | 13.413,41 | GP571061704 | 8.661,29 | E04 |
| CHGT/4/8-1000-6/-20/5 | 20 | 5 | 38,6 | 14,1 | G8710620050 | 16.081,20 | GP571062005 | 8.961,61 | E04 |
| CHGT/4/8-1000-9/-5,5/1,1 | 5,5 | 1,1 | 11,7 | 3,7 | G8710905510 | 8.111,58 | GP571090551 | 5.348,71 | E04 |
| CHGT/4/8-1000-9/-7,5/1,5 | 7,5 | 1,5 | 15,9 | 4,7 | G8710907510 | 8.913,84 | GP571090751 | 5.877,72 | E04 |
| CHGT/4/8-1000-9/-11/3 | 11 | 3 | 21 | 7 | G8710911030 | 11.181,74 | GP571091103 | 7.042,11 | E04 |
| CHGT/4/8-1000-9/-14/3,5 | 14 | 3,5 | 26,5 | 8,5 | G8710914030 | 11.832,75 | GP571091403 | 7.935,98 | E04 |
| CHGT/4/8-1000-9/-17/4,3 | 17 | 4,3 | 33,4 | 12,7 | G8710917040 | 13.549,16 | GP571091704 | 8.786,40 | E04 |
| CHGT/4/8-1000-9/-20/5 | 20 | 5 | 38,6 | 14,1 | G8710920050 | 16.319,48 | GP571092005 | 9.086,76 | E04 |
| CHGT/4/8-1250-3/-5,5/1,1 | 5,5 | 1,1 | 11,7 | 3,7 | G8712305510 | 9.592,08 | GP571230551 | 7.146,01 | E04 |
| CHGT/4/8-1250-3/-7,5/1,5 | 7,5 | 1,5 | 15,9 | 4,7 | G8712307510 | 10.540,73 | GP571230751 | 7.852,76 | E04 |
| CHGT/4/8-1250-3/-11/3 | 11 | 3 | 21 | 7 | G8712311030 | 12.622,66 | GP571231103 | 8.663,77 | E04 |
| CHGT/4/8-1250-3/-14/3,5 | 14 | 3,5 | 26,5 | 8,5 | G8712314030 | 13.273,68 | GP571231403 | 9.557,62 | E04 |
| CHGT/4/8-1250-3/-17/4,3 | 17 | 4,3 | 33,4 | 12,7 | G8712317040 | 14.411,15 | GP571231704 | 10.957,23 | E04 |
| CHGT/4/8-1250-3/-20/5 | 20 | 5 | 38,6 | 14,1 | G8712320050 | 16.304,04 | GP571232005 | 11.276,31 | E04 |
| CHGT/4/8-1250-3/-28/6,5 | 28 | 6,5 | 52 | 18 | G8712328060 | 19.492,00 | GP571232806 | 12.770,33 | E04 |
| CHGT/4/8-1250-3/-30/8 | 30 | 8 | 56,5 | 21,8 | G8712330080 | 21.992,36 | GP571233008 | 14.840,77 | E04 |
| CHGT/4/8-1250-6/-11/3 | 11 | 3 | 21 | 7 | G8712611030 | 12.885,59 | GP571261103 | 9.019,93 | E04 |
| CHGT/4/8-1250-6/-14/3,5 | 14 | 3,5 | 26,5 | 8,5 | G8712614030 | 13.536,63 | GP571261403 | 9.913,85 | E04 |
| CHGT/4/8-1250-6/-17/4,3 | 17 | 4,3 | 33,4 | 12,7 | G8712617040 | 14.674,09 | GP571261704 | 11.209,67 | E04 |
| CHGT/4/8-1250-6/-20/5 | 20 | 5 | 38,6 | 14,1 | G8712620050 | 16.567,00 | GP571262005 | 11.410,13 | E04 |
| CHGT/4/8-1250-6/-28/6,5 | 28 | 6,5 | 52 | 18 | G8712628060 | 19.754,97 | GP571262806 | 12.958,65 | E04 |
| CHGT/4/8-1250-6/-30/8 | 30 | 8 | 56,5 | 21,8 | G8712630080 | 22.255,28 | GP571263008 | 14.929,48 | E04 |
| CHGT/4/8-1250-6/-37/9,2 | 37 | 9,2 | 74,2 | 25,4 | G8712637090 | 29.250,39 | GP571263709 | 17.894,38 | E04 |
| CHGT/4/8-1250-6/-44/11 | 44 | 11 | 80,2 | 27,2 | G8712644010 | 31.698,35 | GP571264401 | 19.370,18 | E04 |

CARACTERÍSTICAS TÉCNICAS - 4/8 polos - 1450/730 rpm (continuación)

| Modelo | Potencia motor (kW) | | Intensidad nominal motor (A) | | Código 400°C/2h | Precio 400°C/2h €/u. | Código 300°C/2h | Precio 300°C/2h €/u. | Grupo producto |
|-------------------------|---------------------|-----|------------------------------|------|-----------------|----------------------|-----------------|----------------------|----------------|
| | V.1 | V.2 | V.1 | V.2 | | | | | |
| CHGT/4/8-1250-9/-14/3,5 | 14 | 3,5 | 26,5 | 8,5 | G8712914030 | 13.755,60 | GP571291403 | 10.148,29 | E04 |
| CHGT/4/8-1250-9/-17/4,3 | 17 | 4,3 | 33,4 | 12,7 | G8712917040 | 14.881,28 | GP571291704 | 10.341,03 | E04 |
| CHGT/4/8-1250-9/-20/5 | 20 | 5 | 38,6 | 14,1 | G8712920050 | 16.820,72 | GP571292005 | 10.793,08 | E04 |
| CHGT/4/8-1250-9/-28/6,5 | 28 | 6,5 | 52 | 18 | G8712928060 | 20.026,11 | GP571292806 | 13.151,87 | E04 |
| CHGT/4/8-1250-9/-30/8 | 30 | 8 | 56,5 | 21,8 | G8712930080 | 22.526,41 | GP571293008 | 15.112,98 | E04 |
| CHGT/4/8-1250-9/-37/9,2 | 37 | 9,2 | 74,2 | 25,4 | G8712937090 | 31.183,87 | GP571293709 | 18.131,03 | E04 |
| CHGT/4/8-1250-9/-44/11 | 44 | 11 | 80,2 | 27,2 | G8712944010 | 34.485,13 | GP571294401 | 19.606,81 | E04 |

CARACTERÍSTICAS TÉCNICAS - 6/12 polos - 950/475 rpm

| Modelo | Potencia motor (kW) | | Intensidad nominal motor (A) | | Código 400°C/2h | Precio 400°C/2h €/u. | Código 300°C/2h | Precio 300°C/2h €/u. | Grupo producto |
|----------------------------|---------------------|------|------------------------------|------|-----------------|----------------------|-----------------|----------------------|----------------|
| | V.1 | V.2 | V.1 | V.2 | | | | | |
| CHGT/6/12-560-6/-0,55/0,09 | 0,55 | 0,09 | 2,1 | 0,9 | G8956600500 | 4.706,20 | GP595660050 | 2.414,05 | E04 |
| CHGT/6/12-630-6/-0,55/0,09 | 0,55 | 0,09 | 2,1 | 0,9 | G8963600500 | 4.837,22 | GP596360050 | 2.467,62 | E04 |
| CHGT/6/12-630-6/-0,75/0,12 | 0,75 | 0,12 | 2,3 | 1,0 | G8963600700 | 4.919,84 | GP596360070 | 2.500,32 | E04 |
| CHGT/6/12-710-3/-0,55/0,09 | 0,55 | 0,09 | 2,1 | 0,9 | — | — | GP597130050 | 2.774,41 | E04 |
| CHGT/6/12-710-3/-0,75/0,12 | 0,75 | 0,12 | 2,3 | 1,0 | — | — | GP597130070 | 2.807,63 | E04 |
| CHGT/6/12-710-5/-0,55/0,09 | 0,55 | 0,09 | 2,1 | 0,9 | G8971500500 | 4.945,97 | — | — | E04 |
| CHGT/6/12-710-5/-0,75/0,12 | 0,75 | 0,12 | 2,3 | 1,0 | G8971500700 | 5.028,59 | — | — | E04 |
| CHGT/6/12-710-5/-1,1/0,18 | 1,1 | 0,18 | 4,5 | 1,7 | G8971501100 | 5.086,17 | — | — | E04 |
| CHGT/6/12-710-6/-0,55/0,09 | 0,55 | 0,09 | 2,1 | 0,9 | — | — | GP597160050 | 2.907,36 | E04 |
| CHGT/6/12-710-6/-0,75/0,12 | 0,75 | 0,12 | 2,3 | 1,0 | — | — | GP597160070 | 2.940,58 | E04 |
| CHGT/6/12-710-6/-1,2/0,3 | 1,2 | 0,3 | 4,37 | 1,86 | — | — | GP597160110 | 2.998,11 | E04 |
| CHGT/6/12-710-7/-0,55/0,09 | 0,55 | 0,09 | 2,1 | 0,9 | G8971700500 | 4.995,28 | — | — | E04 |
| CHGT/6/12-710-7/-0,75/0,12 | 0,75 | 0,12 | 2,3 | 1,0 | G8971700700 | 5.077,90 | — | — | E04 |
| CHGT/6/12-710-7/-1,1/0,18 | 1,1 | 0,18 | 4,5 | 1,7 | G8971701100 | 5.135,49 | — | — | E04 |
| CHGT/6/12-800-3/-0,55/0,09 | 0,55 | 0,09 | 2,1 | 0,9 | G8980300500 | 4.943,14 | GP598030050 | 2.836,23 | E04 |
| CHGT/6/12-800-3/-0,75/0,12 | 0,75 | 0,12 | 2,3 | 1,0 | G8980300700 | 5.044,00 | GP598030070 | 2.894,12 | E04 |
| CHGT/6/12-800-3/-1,1/0,18 | 1,1 | 0,18 | 4,5 | 1,7 | G8980301100 | 5.150,87 | — | — | E04 |
| CHGT/6/12-800-3/-1,2/0,3 | 1,2 | 0,3 | 4,37 | 1,86 | — | — | GP598030110 | 3.093,85 | E04 |
| CHGT/6/12-800-3/-1,5/0,25 | 1,5 | 0,25 | 4,2 | 1,7 | G8980301500 | 5.661,18 | GP598030150 | 3.193,56 | E04 |
| CHGT/6/12-800-6/-0,55/0,09 | 0,55 | 0,09 | 2,1 | 0,9 | G8980600500 | 5.207,04 | GP598060050 | 3.018,65 | E04 |
| CHGT/6/12-800-6/-0,75/0,12 | 0,75 | 0,12 | 2,3 | 1,0 | G8980600700 | 5.313,31 | GP598060070 | 3.080,24 | E04 |
| CHGT/6/12-800-6/-1,1/0,18 | 1,1 | 0,18 | 4,5 | 1,7 | G8980601100 | 5.420,23 | — | — | E04 |
| CHGT/6/12-800-6/-1,2/0,3 | 1,2 | 0,3 | 4,37 | 1,86 | — | — | GP598060110 | 3.279,96 | E04 |
| CHGT/6/12-800-6/-1,5/0,25 | 1,5 | 0,25 | 4,3 | 1,7 | G8980601500 | 5.956,28 | GP598060150 | 3.383,44 | E04 |
| CHGT/6/12-800-6/-2,2/0,37 | 2,2 | 0,37 | 5,7 | 2,2 | G8980602200 | 6.530,91 | GP598060220 | 3.642,69 | E04 |
| CHGT/6/12-800-9/-0,75/0,12 | 0,75 | 0,12 | 2,3 | 1,0 | G8980900700 | 5.640,16 | GP598090070 | 3.266,39 | E04 |
| CHGT/6/12-800-9/-1,1/0,18 | 1,1 | 0,18 | 4,5 | 1,7 | G8980901100 | 5.747,04 | GP598090110 | 3.466,12 | E04 |
| CHGT/6/12-800-9/-1,5/0,25 | 1,5 | 0,25 | 4,2 | 1,7 | G8980901500 | 6.252,57 | GP598090150 | 3.569,55 | E04 |
| CHGT/6/12-800-9/-2,2/0,37 | 2,2 | 0,37 | 5,7 | 2,2 | G8980902200 | 6.840,78 | GP598090220 | 3.882,91 | E04 |
| CHGT/6/12-800-9/-3/0,55 | 3 | 0,55 | 8,9 | 3,8 | G8980903000 | 8.063,41 | GP598090300 | 4.405,31 | E04 |
| CHGT/6/12-900-3/-1,1/0,18 | 1,1 | 0,18 | 4,5 | 1,7 | G8990301100 | 5.902,80 | — | — | E04 |
| CHGT/6/12-900-3/-1,2/0,3 | 1,2 | 0,3 | 4,37 | 1,86 | — | — | GP599030110 | 3.537,38 | E04 |
| CHGT/6/12-900-3/-1,5/0,25 | 1,5 | 0,25 | 4,2 | 1,7 | G8990301500 | 6.486,58 | GP599030150 | 3.887,27 | E04 |
| CHGT/6/12-900-6/-1,1/0,18 | 1,1 | 0,18 | 4,5 | 1,7 | G8990601100 | 6.067,22 | — | — | E04 |
| CHGT/6/12-900-6/-1,2/0,3 | 1,2 | 0,3 | 4,37 | 1,86 | — | — | GP599060110 | 3.706,78 | E04 |
| CHGT/6/12-900-6/-1,5/0,25 | 1,5 | 0,25 | 4,2 | 1,7 | G8990601500 | 6.667,28 | GP599060150 | 4.073,41 | E04 |
| CHGT/6/12-900-6/-2,2/0,37 | 2,2 | 0,37 | 5,7 | 2,2 | G8990602200 | 7.383,40 | GP599060220 | 4.490,58 | E04 |
| CHGT/6/12-900-6/-3/0,55 | 3 | 0,55 | 8,9 | 3,8 | G8990603000 | 8.975,87 | GP599060300 | 5.212,26 | E04 |

CARACTERÍSTICAS TÉCNICAS - 6/12 polos - 950/475 rpm (Continuación)

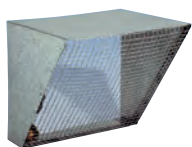
| Modelo | Potencia motor (kW) | | Intensidad nominal motor (A) | | Código 400°C/2h | Precio 400°C/2h €/u. | Código 300°C/2h | Precio 300°C/2h €/u. | Grupo producto |
|----------------------------|---------------------|------|------------------------------|------|-----------------|----------------------|-----------------|----------------------|----------------|
| | V.1 | V.2 | V.1 | V.2 | | | | | |
| CHGT/6/12-900-9/-1,1/0,18 | 1,1 | 0,18 | 4,5 | 1,7 | G8990901100 | 6.206,87 | — | — | E04 |
| CHGT/6/12-900-9/-1,2/0,3 | 1,2 | 0,3 | 4,37 | 1,86 | — | — | GP599090110 | 3.878,95 | E04 |
| CHGT/6/12-900-9/-1,5/0,25 | 1,5 | 0,25 | 4,2 | 1,7 | G8990901500 | 6.820,75 | GP599090150 | 4.262,57 | E04 |
| CHGT/6/12-900-9/-2,2/0,37 | 2,2 | 0,37 | 5,7 | 2,2 | G8990902200 | 7.533,22 | GP599090220 | 4.679,74 | E04 |
| CHGT/6/12-900-9/-3/0,55 | 3 | 0,55 | 8,9 | 3,8 | G8990903000 | 9.125,37 | GP599090300 | 5.387,46 | E04 |
| CHGT/6/12-1000-3/-1,1/0,18 | 1,1 | 0,18 | 4,5 | 1,7 | G8910301100 | 5.992,32 | — | — | E04 |
| CHGT/6/12-1000-3/-1,2/0,3 | 1,2 | 0,3 | 4,37 | 1,86 | — | — | GP591030110 | 3.758,05 | E04 |
| CHGT/6/12-1000-3/-1,5/0,25 | 1,5 | 0,25 | 4,2 | 1,7 | G8910301500 | 6.584,95 | GP591030150 | 4.129,70 | E04 |
| CHGT/6/12-1000-3/-2,2/0,37 | 2,2 | 0,37 | 5,7 | 2,2 | G8910302200 | 7.203,10 | GP591030220 | 4.388,98 | E04 |
| CHGT/6/12-1000-3/-3/0,55 | 3 | 0,55 | 8,9 | 3,8 | G8910303000 | 8.859,54 | GP591030300 | 5.115,78 | E04 |
| CHGT/6/12-1000-3/-4/0,65 | 4 | 0,65 | 9,3 | 2,9 | G8910304000 | 9.388,27 | GP591030400 | 5.685,16 | E04 |
| CHGT/6/12-1000-6/-1,1/0,18 | 1,1 | 0,18 | 4,5 | 1,7 | G8910601100 | 6.177,22 | — | — | E04 |
| CHGT/6/12-1000-6/-1,2/0,3 | 1,2 | 0,3 | 4,37 | 1,86 | — | — | GP591060110 | 3.927,39 | E04 |
| CHGT/6/12-1000-6/-1,5/0,25 | 1,5 | 0,25 | 4,2 | 1,7 | G8910601500 | 6.788,16 | GP591060150 | 4.315,82 | E04 |
| CHGT/6/12-1000-6/-2,2/0,37 | 2,2 | 0,37 | 5,7 | 2,2 | G8910602200 | 7.363,43 | GP591060220 | 4.575,09 | E04 |
| CHGT/6/12-1000-6/-3/0,55 | 3 | 0,55 | 8,9 | 3,8 | G8910603000 | 9.019,93 | GP591060300 | 5.290,96 | E04 |
| CHGT/6/12-1000-6/-4/0,65 | 4 | 0,65 | 9,3 | 2,9 | G8910604000 | 9.511,23 | GP591060400 | 5.860,31 | E04 |
| CHGT/6/12-1000-6/-6/1,2 | 6 | 1,2 | 13,4 | 5,8 | G8910606010 | 14.136,29 | GP591060601 | 7.010,35 | E04 |
| CHGT/6/12-1000-9/-1,5/0,25 | 1,5 | 0,25 | 4,2 | 1,7 | G8910901500 | 7.338,52 | GP591090150 | 4.380,35 | E04 |
| CHGT/6/12-1000-9/-2,2/0,37 | 2,2 | 0,37 | 5,7 | 2,2 | G8910902200 | 7.976,65 | GP591090220 | 4.761,24 | E04 |
| CHGT/6/12-1000-9/-3/0,55 | 3 | 0,55 | 8,9 | 3,8 | G8910903000 | 9.490,70 | GP591090300 | 5.466,14 | E04 |
| CHGT/6/12-1000-9/-4/0,65 | 4 | 0,65 | 9,3 | 2,9 | G8910904000 | 9.868,21 | GP591090400 | 6.035,53 | E04 |
| CHGT/6/12-1000-9/-6/1,2 | 6 | 1,2 | 13,4 | 5,6 | G8910906010 | 14.485,69 | GP591090601 | 7.117,91 | E04 |
| CHGT/6/12-1000-9/-7,5/1,5 | 7,5 | 1,5 | 16,4 | 6,5 | G8910907510 | 16.336,70 | GP591090751 | 8.137,74 | E04 |
| CHGT/6/12-1250-3/-1,5/0,25 | 1,5 | 0,25 | 4,2 | 1,7 | G8912301500 | 8.025,39 | GP591230150 | 5.710,34 | E04 |
| CHGT/6/12-1250-3/-2,2/0,37 | 2,2 | 0,37 | 5,7 | 2,2 | G8912302200 | 8.723,24 | GP591230220 | 6.206,87 | E04 |
| CHGT/6/12-1250-3/-3/0,55 | 3 | 0,55 | 8,9 | 3,8 | G8912303000 | 10.904,10 | GP591230300 | 7.253,44 | E04 |
| CHGT/6/12-1250-3/-4/0,65 | 4 | 0,65 | 9,3 | 2,9 | G8912304000 | 11.241,35 | GP591230400 | 7.858,39 | E04 |
| CHGT/6/12-1250-3/-6/1,2 | 6 | 1,2 | 13,4 | 5,6 | G8912306000 | 14.457,67 | GP591230601 | 9.008,40 | E04 |
| CHGT/6/12-1250-3/-7,5/1,5 | 7,5 | 1,5 | 16,4 | 6,5 | G8912307500 | 17.829,97 | GP591230750 | 10.092,00 | E04 |
| CHGT/6/12-1250-3/-12/2,4 | 12 | 2,4 | 23,4 | 8,1 | G8912312020 | 20.022,72 | GP591231202 | 11.989,51 | E04 |
| CHGT/6/12-1250-6/-3/0,55 | 3 | 0,55 | 8,9 | 1,7 | G8912603000 | 11.207,50 | GP591260300 | 7.441,76 | E04 |
| CHGT/6/12-1250-6/-4/0,65 | 4 | 0,65 | 9,3 | 2,9 | G8912604000 | 11.544,75 | GP591260400 | 8.047,44 | E04 |
| CHGT/6/12-1250-6/-6/1,2 | 6 | 1,2 | 13,4 | 5,6 | G8912606010 | 14.753,22 | GP591260601 | 9.194,58 | E04 |
| CHGT/6/12-1250-6/-7,5/1,5 | 7,5 | 1,5 | 16,4 | 6,5 | G8912607510 | 18.133,37 | GP591260751 | 10.278,12 | E04 |
| CHGT/6/12-1250-6/-12/2,4 | 12 | 2,4 | 23,4 | 8,1 | G8912612020 | 20.318,52 | GP591261202 | 12.177,23 | E04 |
| CHGT/6/12-1250-6/-17/4,3 | 17 | 4,3 | 31 | 10,2 | G8912617040 | 27.028,19 | GP591261704 | 14.380,80 | E04 |
| CHGT/6/12-1250-9/-4/0,65 | 4 | 0,65 | 9,3 | 2,9 | G8912904000 | 12.041,11 | GP591290400 | 8.233,63 | E04 |
| CHGT/6/12-1250-9/-6/1,2 | 6 | 1,2 | 13,4 | 5,6 | G8912906010 | 14.990,67 | GP591290601 | 9.380,69 | E04 |
| CHGT/6/12-1250-9/-7,5/1,5 | 7,5 | 1,5 | 16,4 | 6,5 | G8912907510 | 18.340,53 | GP591290751 | 10.464,26 | E04 |
| CHGT/6/12-1250-9/-12/2,4 | 12 | 2,4 | 23,4 | 8,1 | G8912912020 | 20.894,34 | GP591291202 | 12.364,95 | E04 |
| CHGT/6/12-1250-9/-17/4,3 | 17 | 4,3 | 31 | 10,2 | G8912917040 | 27.347,37 | GP591291704 | 14.472,82 | E04 |
| CHGT/6/12-1250-9/-20/5 | 20 | 5 | 39 | 14,3 | G8912920050 | 28.781,37 | GP591292005 | 17.557,35 | E04 |

ACCESORIOS ESPECÍFICOS DE MONTAJE PARA LAS SERIES CHGT Y CGT

**PER-CR CHGT/CGT**

Persianas de sobrepresión con marco de chapa de acero y lamas de aluminio, ligeras y resistentes, con dispositivo que permite una perfecta y coordinada apertura de todas sus lamas. Color RAL 7045.
Estas persianas incorporan malla de protección. Para utilizar con los ventiladores de las series CHGT y CGT, en instalaciones en paralelo, para evitar retornos de aire.

| Código | Modelo | Grupo producto | Precio €/u. |
|---|----------------------|----------------|-------------|
| Persianas de sobrepresión PER-CR CHGT/CGT | | | |
| 5146900700 | PER-CR CHGT/CGT-400 | E01 | 212,88 |
| 5146900800 | PER-CR CHGT/CGT-450 | E01 | 240,02 |
| 5146900900 | PER-CR CHGT/CGT-500 | E01 | 247,04 |
| 5146902200 | PER-CR CHGT/CGT-560 | E01 | 280,98 |
| 5146903000 | PER-CR CHGT/CGT-630 | E01 | 304,32 |
| 5146903100 | PER-CR CHGT/CGT-710 | E01 | 346,48 |
| 5146905500 | PER-CR CHGT/CGT-800 | E01 | 396,53 |
| 5146905800 | PER-CR CHGT/CGT-900 | E01 | 520,96 |
| 5146905900 | PER-CR CHGT/CGT-1000 | E01 | 534,81 |
| 5146908300 | PER-CR CHGT/CGT-1250 | E01 | 653,33 |

**CVD CHGT/CGT**

Viseras con malla para montar en la aspiración o en la descarga de los ventiladores.

| Código | Modelo | Grupo producto | Precio €/u. |
|---|-------------------|----------------|-------------|
| Viseras de aspiración y descarga CVD CHGT/CGT | | | |
| 5137131600 | CVD CHGT/CGT-400 | E01 | 105,52 |
| 5137131700 | CVD CHGT/CGT-450 | E01 | 112,33 |
| 5137131800 | CVD CHGT/CGT-500 | E01 | 124,60 |
| 5137131900 | CVD CHGT/CGT-560 | E01 | 146,86 |
| 5137132000 | CVD CHGT/CGT-630 | E01 | 150,26 |
| 5137132100 | CVD CHGT/CGT-710 | E01 | 193,64 |
| 5137132200 | CVD CHGT/CGT-800 | E01 | 227,98 |
| 5137132300 | CVD CHGT/CGT-900 | E01 | 290,50 |
| 5137132400 | CVD CHGT/CGT-1000 | E01 | 422,22 |
| 5137132500 | CVD CHGT/CGT-1250 | E01 | 478,35 |

**ACOP RECT CHGT/CGT F400**

Acoplamiento elástico rectangular desenfumage.

| Código | Modelo | Grupo producto | Precio €/u. |
|--|------------------------------|----------------|-------------|
| Acoplamiento elástico rectangular desenfumage ACOP RECT CHGT/CGT F400 | | | |
| 5402052100 | ACOP RECT CHGT/CGT-400 F400 | E01 | 69,92 |
| 5402052200 | ACOP RECT CHGT/CGT-450 F400 | E01 | 70,32 |
| 5402052300 | ACOP RECT CHGT/CGT-500 F400 | E01 | 84,73 |
| 5402052400 | ACOP RECT CHGT/CGT-560 F400 | E01 | 85,30 |
| 5402052500 | ACOP RECT CHGT/CGT-630 F400 | E01 | 112,39 |
| 5402052600 | ACOP RECT CHGT/CGT-710 F400 | E01 | 113,58 |
| 5402052700 | ACOP RECT CHGT/CGT-800 F400 | E01 | 129,77 |
| 5402052800 | ACOP RECT CHGT/CGT-900 F400 | E01 | 131,34 |
| 5402052900 | ACOP RECT CHGT/CGT-1000 F400 | E01 | 174,30 |
| 5402053000 | ACOP RECT CHGT/CGT-1250 F400 | E01 | 178,77 |

Serie CHAT-N



Cajas de ventilación autolimpiantes, desenfumage, capacitadas para trabajar inmersas a 400°C/2h, estancas, con sistema de desagüe, fabricadas en chapa de acero galvanizado, con aislamiento acústico ininflamable (M0) de fibra de vidrio de 17 mm de espesor, rodete centrífugo de álabes hacia atrás equilibrado dinámicamente, directamente acoplado al eje motor, trifásico IP55, Clase H, para uso en funcionamiento continuo (S1) o para casos de emergencia (S2).

Motores

De 4, 6 ó 4/8 polos, según versiones.
Tensión de alimentación
Trifásicos 230/400V-50Hz (modelos de 1 velocidad)
Trifásicos 400V-50Hz (modelos de 2 velocidades)
(Ver cuadro de características).



Aplicaciones específicas



Homologados según norma EN12101-3. Certificación nº 0370-CPR-2475



Parkings



Cocinas industriales

Es imprescindible comprobar que las características eléctricas (voltaje, intensidad, frecuencia, etc) del motor que aparecen en la placa del mismo son compatibles con las de la instalación.

| Código | Modelo | Velocidad (r.p.m.) | Potencia motor (W) | Intensidad absorbida máxima (A) | Caudal máximo (m³/h) | Nivel de presión sonora (dB(A)) * a 1,5 m | | | Peso (kg) | Regulador de velocidad | Grupo producto | Precio €/u. |
|------------|--------------------------|--------------------|--------------------|---------------------------------|----------------------|---|----------|---------|-----------|------------------------|----------------|-------------|
| | | | | | | Aspiración | Descarga | Radiado | | | | |
| 4 POLOS | | | | | | | | | | | | |
| 5148101200 | CHAT/4-400 N 0,37 | 1460 | 365 | 0,8 | 3.200 | 53 | 50 | 42 | 80 | VFTM TRI 0,37 | E06 | 3.597,67 |
| 5148101300 | CHAT/4-450 N 0,55 | 1460 | 696 | 1,8 | 4.770 | 58 | 57 | 46 | 90 | VFTM TRI 0,55 | E06 | 3.789,51 |
| 5148101400 | CHAT/4-500 N 1,1 | 1470 | 1016 | 2,0 | 6.770 | 63 | 63 | 50 | 110 | VFTM TRI 1,1 | E06 | 3.954,90 |
| 5148101500 | CHAT/4-560 N 1,5 | 1470 | 1718 | 3,1 | 9.180 | 67 | 67 | 53 | 185 | VFTM TRI 1,5 | E06 | 4.528,46 |
| 5148101600 | CHAT/4-630 N 2,2 | 1460 | 2931 | 5,5 | 13.400 | 72 | 74 | 57 | 200 | VFTM TRI 3 | E06 | 5.992,26 |
| 5148101700 | CHAT/4-710 N 5,5 | 1480 | 5337 | 9,5 | 19.670 | 77 | 80 | 61 | 215 | VFTM TRI 5,5 | E06 | 10.181,97 |
| 6 POLOS | | | | | | | | | | | | |
| 5148101900 | CHAT/6-560 N 0,55 | 960 | 648 | 1,6 | 6.250 | 55 | 53 | 45 | 185 | VFTM TRI 0,55 | E06 | 4.454,06 |
| 5148102000 | CHAT/6-630 N 1,1 | 970 | 943 | 2,2 | 8.830 | 58 | 57 | 47 | 200 | VFTM TRI 1,1 | E06 | 4.937,10 |
| 5148102100 | CHAT/6-710 N 1,5 | 970 | 1701 | 4,1 | 12.520 | 62 | 61 | 49 | 215 | VFTM TRI 1,5 | E06 | 6.236,10 |
| 5148102200 | CHAT/6-800 N 3 | 980 | 3169 | 6,8 | 18.880 | 65 | 67 | 51 | 229 | VFTM TRI 3 | E06 | 8.313,78 |
| 4/8 POLOS | | | | | | | | | | | | |
| 5148102300 | CHAT/4/8-450 N 0,55/0,09 | 1470 | 754 | 1,9 | 4.720 | 58 | 57 | 46 | 90 | DMEZ 1/2,3 DA | E06 | 3.863,11 |
| | | 740 | 229 | 0,9 | 2.350 | 43 | 42 | 31 | | | | |
| 5148102400 | CHAT/4/8-500 N 1,1/0,18 | 1470 | 1215 | 2,7 | 6.880 | 63 | 63 | 50 | 110 | DMEZ 1,3/3,1 DA | E06 | 4.178,87 |
| | | 740 | 249 | 1,0 | 3.390 | 48 | 48 | 35 | | | | |
| 5148102500 | CHAT/4/8-560 N 1,5/0,25 | 1450 | 1909 | 3,6 | 9.460 | 67 | 67 | 53 | 185 | DMEZ 1,3/4,2 DA | E06 | 5.100,66 |
| | | 730 | 354 | 1,3 | 4.680 | 52 | 52 | 38 | | | | |
| 5148102600 | CHAT/4/8-630 N 3/0,55 | 1450 | 3259 | 7,5 | 13.420 | 72 | 74 | 57 | 200 | DMEZ 2,3/7,6 DA | E06 | 6.495,96 |
| | | 740 | 617 | 1,9 | 6.720 | 57 | 59 | 42 | | | | |
| 5148102700 | CHAT/4/8-710 N 5,5/1,1 | 1490 | 5995 | 12,1 | 20.030 | 77 | 80 | 61 | 215 | DMEZ 4,2/13 DA | E06 | 10.862,96 |
| | | 740 | 916 | 3,9 | 9.580 | 62 | 65 | 46 | | | | |

* Nivel de presión sonora medido a 1,5 m en condiciones de campo libre, en el punto de trabajo 2 de la curva de rendimiento.

ACCESORIOS DE MONTAJE ESPECÍFICOS PARA LAS GAMAS CHAT-N, CVAB/T Y CVAB/T-N ECOWATT



CTI CVA-N/CHAT-N

| Código | Modelo | Grupo producto | Precio €/u. |
|--------------------------------------|------------------------------|----------------|-------------|
| CTI CVA-N/CHAT-N Tapas de intemperie | | | |
| 5137265200 | CTI CVA-N 250/315 | E01 | 39,42 |
| 5137265300 | CTI CVA-355/400 CHAT-400/450 | E01 | 63,87 |
| 5137265400 | CTI CVA-N 450 | E01 | 54,96 |
| 5137265500 | CTI CVA-500 CHAT-500 | E01 | 76,48 |
| 5137265600 | CTI CVA-N 560 | E01 | 70,09 |
| 5137265700 | CTI CVA-N 630 | E01 | 80,08 |
| 5137265800 | CTI CVA-N 710 | E01 | 95,25 |
| 5416764300 | CTI CVA-9000 CHAT-560 | E01 | 84,76 |
| 5416764500 | CTI CVA-14000 CHAT-630 | E01 | 94,26 |
| 5416764600 | CTI CVA-17000 CHAT-710 | E01 | 100,51 |
| 5416832800 | CTI CHAT-800 N | E01 | 116,26 |

Serie CHVB/CHVT



Cajas de ventilación autolimpiantes, desenfumage, capacitadas para trasegar aire a 400°C/2h, fabricadas en chapa de acero galvanizado, doble pared, tipo sandwich, con aislamiento acústico ininflamable (M0) de fibra de vidrio de 17 mm, rodete centrifugo de álabes hacia atrás, equilibrado dinámicamente, motor IP55, Clase F, con protector térmico incorporado y caja de bornes remota.

Aplicaciones específicas



Homologados según norma EN12101-3
Certificación nº 0370-CPD-0666

Continuo

Motores

De 4 polos.
Regulables por variación de tensión.
Modelos trifásicos regulables por convertidor de frecuencia.
Tensión de alimentación
Monofásicos 230V-50Hz (CHVB)
Trifásicos 400V-50Hz (CHVT)
(ver cuadro de características)
Bajo pedido:
Motores trifásicos 230/400V-50Hz.

Otros datos

Capacitadas para trasegar aire a 120°C en continuo.

Es imprescindible comprobar que las características eléctricas (voltaje, intensidad, frecuencia, etc) del motor que aparecen en la placa del mismo son compatibles con las de la instalación.

| Código | Modelo | Velocidad (r.p.m.) | Potencia absorbida máxima (W) | Intensidad absorbida máxima (A) | Caudal máximo (m³/h) | Nivel de presión sonora (dB(A)) a 1,5 m | Peso (kg) | Regulador* de velocidad opcional | Grupo producto | Precio €/u. |
|------------|-----------------|--------------------|-------------------------------|---------------------------------|----------------------|---|-----------|----------------------------------|----------------|-------------|
| 5148139200 | CHVB/4-3000/315 | 1390 | 305 | 1,45 | 2.670 | 58 | 46 | REB-2,5 N | E06 | 1.945,14 |
| 5148139300 | CHVB/4-4000/355 | 1315 | 530 | 2,3 | 4.300 | 64 | 75 | REB-5 N | E06 | 2.123,23 |
| 5148139400 | CHVB/4-6000/400 | 1370 | 1060 | 5,05 | 6.480 | 70 | 90 | REB-10 | E06 | 2.528,46 |
| 5148138900 | CHVT/4-3000/315 | 1410 | 320 | 0,86 | 2.770 | 58 | 46 | RMT-1,5 | E06 | 1.945,14 |
| 5148139000 | CHVT/4-4000/355 | 1420 | 620 | 1,5 | 4.310 | 64 | 75 | RMT-2,5 | E06 | 2.123,23 |
| 5148139100 | CHVT/4-6000/400 | 1295 | 1070 | 1,95 | 6.560 | 70 | 90 | RMT-2,5 | E06 | 2.528,46 |

* Reguladores trifásicos (RMT) se recomiendan a 400V.

ACCESORIOS DE MONTAJE ESPECÍFICOS PARA LA SERIE CHVB/CHVT



FD



ACOP RECT F400



CTI

| Código | Modelo | Grupo producto | Precio €/u. |
|--|---------------------|----------------|-------------|
| FD Bridas de descarga circular | | | |
| 5416740700 | FD-3000 | E01 | 293,08 |
| 5416740800 | FD-4000 | E01 | 319,76 |
| 5416740900 | FD-6000 | E01 | 346,42 |
| ACOP RECT Acoplamiento elásticos rectangulares desenfumage | | | |
| 5402032800 | ACOP RECT F400 3000 | E01 | 132,27 |
| 5402032900 | ACOP RECT F400 4000 | E01 | 147,39 |
| 5402033000 | ACOP RECT F400 6000 | E01 | 168,73 |
| CTI CHV Tapas de intemperie para exterior | | | |
| 5416763100 | CTI CHV-3000 | E01 | 40,11 |
| 5416763200 | CTI CHV-4000 | E01 | 46,14 |
| 5416763300 | CTI CHV-6000 | E01 | 59,58 |

Serie KCTR



Cajas de ventilación a transmisión, desenfumage, capacitadas para trasegar aire a 400°C/2h, especialmente diseñadas para la extracción de aire viciado en cocinas industriales y para la extracción de humos en caso de incendio.

Capacitadas para trasegar aire a 80° en continuo. Pueden ser instalados tanto en interior como en exterior.

Fabricadas con gruesos paneles de chapa de acero galvanizada.

Características especiales para su uso en cocinas comerciales e industriales:

- Totalmente desmontables, con paneles extraíbles a ambos lados, para su fácil mantenimiento.
- Ventilador centrífugo de doble aspiración, con rodete de álabes hacia atrás, autolimpiante.
- Caja estanca que evita la salida de condensados.
- Puerta de inspección en la voluta del ventilador para facilitar la limpieza.
- Bridas rectangulares de aspiración y descarga.
- Transmisión por correa trapezoidal y polea. En versiones estándar la transmisión está ubicada a la izquierda, mirada desde la boca de aspiración. Transmisión a la derecha, bajo demanda.
- Interruptor paro/marcha montado y cableado.

Motores

IP55, Clase F.

Tensión de alimentación

1 velocidad: trifásicos 230/400V-50Hz

2 velocidades trifásicos 400V-50Hz

(Ver la tabla de características)

Los modelos trifásicos de una velocidad son regulables por convertidor de frecuencia.

IMPORTANTE: es obligatorio agregar un dispositivo eléctrico que, en caso de incendio, permita encender la fuente de alimentación de seguridad.

Otros datos

Bajo demanda, modelos con:

- Doble panel con aislamiento acústico y térmico de lana de vidrio M0, de 25 mm.
- Acabado en pintura poliéster anticorrosiva.

Aplicaciones específicas



Homologados según norma EN12101-3



Continuo



Cocinas industriales

CARACTERÍSTICAS TÉCNICAS

Es imprescindible comprobar que las características eléctricas (voltaje, intensidad, frecuencia, etc.) del motor que aparecen en la placa del mismo son compatibles con las de la instalación.

| Modelo | Velocidad ventilador (r.p.m.) | Potencia motor (kW) | Intensidad nominal (A) | | Caudal máximo (m³/h) | Peso (kg) |
|--|-------------------------------|---------------------|------------------------|------|----------------------|-----------|
| | | | 230V | 400V | | |
| KCTR-H/2-250 0,75 KCTR-V/2-250 0,75 | 2255 | 0,75 | 2,8 | 1,61 | 3.530 | 83 |
| | 2390 | | | | 3.740 | |
| | 2525 | | | | 3.950 | |
| | 2660 | | | | 4.150 | |
| KCTR-H/2-250 1,1 KCTR-V/2-250 1,1 | 2840 | 1,1 | 4,03 | 2,32 | 4.440 | 84 |
| | 3020 | | | | 4.720 | |
| | 3200 | | | | 5.000 | |
| KCTR-H/2-315 1,1 KCTR-V/2-315 1,1 | 1620 | 1,1 | 4,03 | 2,32 | 5.180 | 124 |
| | 1730 | | | | 5.540 | |
| | 1840 | | | | 5.890 | |
| | 1950 | | | | 6.240 | |
| KCTR-H/2-315 1,5 KCTR-V/2-315 1,5 | 2080 | 1,5 | 5,48 | 3,15 | 6.660 | 128 |
| | 2210 | | | | 7.080 | |
| | 2340 | | | | 7.500 | |
| KCTR-H/4-355 1,5 KCTR-V/4-355 1,5 | 1485 | 1,5 | 5,48 | 3,15 | 6.700 | 167 |
| | 1610 | | | | 7.260 | |
| | 1735 | | | | 7.820 | |
| | 1860 | | | | 8.370 | |
| KCTR-H/4-355 2,2 KCTR-V/4-355 2,2 | 1950 | 2,2 | 7,93 | 4,56 | 8.780 | 179 |
| | 2040 | | | | 9.190 | |
| | 2130 | | | | 9.600 | |
| KCTR-H/4-400 2,2 KCTR-V/4-400 2,2 | 1230 | 2,2 | 7,93 | 4,56 | 7.960 | 244 |
| | 1320 | | | | 8.560 | |
| | 1410 | | | | 9.150 | |
| | 1500 | | | | 9.740 | |
| | 1590 | | | | 10.340 | |
| KCTR-H/4-400 3 KCTR-V/4-400 3 | 1675 | 3 | 10,7 | 6,15 | 10.880 | 244 |
| | 1760 | | | | 11.420 | |
| | 1845 | | | | 11.960 | |
| | 1930 | | | | 12.500 | |
| KCTR-H/4-450 3 KCTR-V/4-450 3 | 1180 | 3 | 10,7 | 6,15 | 10.620 | 264 |
| | 1255 | | | | 11.270 | |
| | 1330 | | | | 11.930 | |
| | 1405 | | | | 12.590 | |
| | 1480 | | | | 13.243 | |
| KCTR-H/4-450 4 KCTR-V/4-450 4 | 1555 | 4 | 14,5 | 8,32 | 13.930 | 273 |
| | 1630 | | | | 14.620 | |
| | 1705 | | | | 15.310 | |
| | 1780 | | | | 16.000 | |
| KCTR-H/4-500 4 KCTR-V/4-500 4 | 1220 | 4 | 14,5 | 8,32 | 14.900 | 338 |
| | 1345 | | | | 16.420 | |
| | 1470 | | | | 17.950 | |
| KCTR-H/4-500 5,5 KCTR-V/4-500 5,5 | 1595 | 5,5 | 17,9 | 10,3 | 19.470 | 362 |
| | 1720 | | | | 21.000 | |

| Modelo | Velocidad ventilador (r.p.m.) | Potencia motor (kW) | Intensidad nominal (A) 400 | | Caudal máximo (m³/h) | Peso (kg) |
|--|-------------------------------|---------------------|----------------------------|------|----------------------|-----------|
| | | | VR | VL | | |
| KCTR-H/2/4-250 0,8/0,2 KCTR-V/2/4-250 0,8/0,2 | 2255 | 0,8/0,2 | 1,91 | 0,6 | 3.530 | 84 |
| | 2390 | | | | 3.740 | |
| | 2525 | | | | 3.950 | |
| | 2660 | | | | 4.150 | |
| | 2840 | | | | 4.440 | |
| KCTR-H/2/4-250 1,5/0,25 KCTR-V/2/4-250 1,5/0,25 | 3020 | 1,1/0,25 | 2,49 | 0,8 | 4.720 | 85 |
| | 3200 | | | | 5.000 | |
| | 1620 | | | | 5.180 | |
| | 1730 | | | | 5.540 | |
| KCTR-H/2/4-315 1,5/0,25 KCTR-V/2/4-315 1,5/0,25 | 1840 | 1,1/0,25 | 2,49 | 0,8 | 5.890 | 125 |
| | 1950 | | | | 6.240 | |
| | 2080 | | | | 6.660 | |
| | 2210 | | | | 7.080 | |
| KCTR-H/2/4-315 1,5/0,37 KCTR-V/2/4-315 1,5/0,37 | 2340 | 1,5/0,37 | 3,54 | 1,25 | 7.500 | 129 |
| | 1485 | | | | 6.700 | |
| | 1610 | | | | 7.260 | |
| KCTR-H/4/6-355 1,5/0,37 KCTR-V/4/6-355 1,5/0,37 | 1735 | 1,5/0,37 | 3,65 | 1,62 | 7.820 | 165 |
| | 1860 | | | | 8.370 | |
| | 1950 | | | | 8.780 | |
| | 2040 | | | | 9.190 | |
| KCTR-H/4/6-355 2,2/0,7 KCTR-V/4/6-355 2,2/0,7 | 2130 | 2,2/0,7 | 4,91 | 2,48 | 9.600 | 172 |
| | 1230 | | | | 7.960 | |
| | 1320 | | | | 8.560 | |
| | 1410 | | | | 9.150 | |
| | 1500 | | | | 9.740 | |
| KCTR-H/4/6-400 2,2/0,7 KCTR-V/4/6-400 2,2/0,7 | 1590 | 2,2/0,7 | 4,91 | 2,48 | 10.340 | 237 |
| | 1675 | | | | 10.880 | |
| | 1760 | | | | 11.420 | |
| | 1845 | | | | 11.960 | |
| | 1930 | | | | 12.500 | |
| KCTR-H/4/6-400 3/1 KCTR-V/4/6-400 3/1 | 1180 | 3/1 | 6,85 | 3,86 | 10.620 | 250 |
| | 1255 | | | | 11.270 | |
| | 1330 | | | | 11.930 | |
| | 1405 | | | | 12.590 | |
| | 1480 | | | | 13.243 | |
| KCTR-H/4/6-450 3/1 KCTR-V/4/6-450 3/1 | 1555 | 3/1 | 6,85 | 3,86 | 13.930 | 270 |
| | 1630 | | | | 14.620 | |
| | 1705 | | | | 15.310 | |
| | 1780 | | | | 16.000 | |
| KCTR-H/4/6-450 4,5/1,5 KCTR-V/4/6-450 4,5/1,5 | 1220 | 4,5/1,5 | 10,2 | 5,38 | 14.900 | 288 |
| | 1345 | | | | 16.420 | |
| | 1470 | | | | 17.950 | |
| | 1595 | | | | 19.470 | |
| KCTR-H/4/6-500 4,5/1,5 KCTR-V/4/6-500 4,5/1,5 | 1720 | 6/2,2 | 13,7 | 6,96 | 21.000 | 361 |
| | 1595 | | | | 19.470 | |

DESCARGA HORIZONTAL

| Código | Modelo | Grupo producto | Precio €/u. |
|--------------------|--------------------------------|----------------|-----------------|
| 1 VELOCIDAD | | | |
| 5149046400 | KCTR-H/2-250 0,75KW 2255G F400 | E01 | 4.005,79 |
| 5149046500 | KCTR-H/2-250 0,75KW 2390G F400 | E01 | 4.005,79 |
| 5149046600 | KCTR-H/2-250 0,75KW 2525G F400 | E01 | 4.005,79 |
| 5149046700 | KCTR-H/2-250 0,75KW 2660G F400 | E01 | 4.005,79 |
| 5149046800 | KCTR-H/2-250 1,1KW 2840G F400 | E01 | 4.046,25 |
| 5149046900 | KCTR-H/2-250 1,1KW 3020G F400 | E01 | 4.046,25 |
| 5149047000 | KCTR-H/2-250 1,1KW 3200G F400 | E01 | 4.046,25 |
| 5149047100 | KCTR-H/2-315 1,1KW 1620G F400 | E01 | 4.656,14 |
| 5149047200 | KCTR-H/2-315 1,1KW 1730G F400 | E01 | 4.656,14 |
| 5149047300 | KCTR-H/2-315 1,1KW 1840G F400 | E01 | 4.656,14 |
| 5149047400 | KCTR-H/2-315 1,1KW 1950G F400 | E01 | 4.656,14 |
| 5149047500 | KCTR-H/2-315 1,5KW 2080G F400 | E01 | 4.727,07 |
| 5149047600 | KCTR-H/2-315 1,5KW 2210G F400 | E01 | 4.727,07 |
| 5149047700 | KCTR-H/2-315 1,5KW 2340G F400 | E01 | 4.727,07 |
| 5149047800 | KCTR-H/4-355 1,5KW 1485G F400 | E01 | 5.344,67 |
| 5149047900 | KCTR-H/4-355 1,5KW 1610G F400 | E01 | 5.344,67 |
| 5149048000 | KCTR-H/4-355 1,5KW 1735G F400 | E01 | 5.344,67 |
| 5149048100 | KCTR-H/4-355 1,5KW 1860G F400 | E01 | 5.344,67 |
| 5149048200 | KCTR-H/4-355 2,2KW 1950G F400 | E01 | 5.509,94 |
| 5149048300 | KCTR-H/4-355 2,2KW 2040G F400 | E01 | 5.509,94 |
| 5149048400 | KCTR-H/4-355 2,2KW 2130G F400 | E01 | 5.509,94 |
| 5149048500 | KCTR-H/4-400 2,2KW 1230G F400 | E01 | 6.705,85 |
| 5149048600 | KCTR-H/4-400 2,2KW 1320G F400 | E01 | 6.705,85 |
| 5149048700 | KCTR-H/4-400 2,2KW 1410G F400 | E01 | 6.705,85 |
| 5149048800 | KCTR-H/4-400 2,2KW 1500G F400 | E01 | 6.705,85 |
| 5149048900 | KCTR-H/4-400 2,2KW 1590G F400 | E01 | 6.705,85 |
| 5149049000 | KCTR-H/4-400 3KW 1675G F400 | E01 | 6.877,78 |
| 5149049100 | KCTR-H/4-400 3KW 1760G F400 | E01 | 6.877,78 |
| 5149049200 | KCTR-H/4-400 3KW 1845G F400 | E01 | 6.877,78 |
| 5149049300 | KCTR-H/4-400 3KW 1930G F400 | E01 | 6.877,78 |
| 5149049400 | KCTR-H/4-450 3KW 1180G F400 | E01 | 7.761,89 |
| 5149049500 | KCTR-H/4-450 3KW 1255G F400 | E01 | 7.761,89 |
| 5149049600 | KCTR-H/4-450 3KW 1330G F400 | E01 | 7.761,89 |
| 5149049700 | KCTR-H/4-450 3KW 1405G F400 | E01 | 7.761,89 |
| 5149049800 | KCTR-H/4-450 3KW 1480G F400 | E01 | 7.761,89 |
| 5149049900 | KCTR-H/4-450 4KW 1555G F400 | E01 | 7.960,95 |
| 5149050000 | KCTR-H/4-450 4KW 1630G F400 | E01 | 7.960,95 |
| 5149050100 | KCTR-H/4-450 4KW 1705G F400 | E01 | 7.960,95 |
| 5149050200 | KCTR-H/4-450 4KW 1780G F400 | E01 | 7.960,95 |
| 5149050300 | KCTR-H/4-500 4KW 1220G F400 | E01 | 9.099,47 |
| 5149050400 | KCTR-H/4-500 4KW 1345G F400 | E01 | 9.099,47 |
| 5149050500 | KCTR-H/4-500 4KW 1470G F400 | E01 | 9.099,47 |
| 5149050600 | KCTR-H/4-500 5,5KW 1595G F400 | E01 | 9.528,84 |
| 5149050700 | KCTR-H/4-500 5,5KW 1720G F400 | E01 | 9.528,84 |

DESCARGA HORIZONTAL

| Código | Modelo | Grupo producto | Precio €/u. |
|----------------------|--------------------------------------|----------------|------------------|
| 2 VELOCIDADES | | | |
| 5149050800 | KCTR-H/2/4-250 0,8/0,2KW 2255G F400 | E01 | 4.170,59 |
| 5149050900 | KCTR-H/2/4-250 0,8/0,2KW 2390G F400 | E01 | 4.170,59 |
| 5149051000 | KCTR-H/2/4-250 0,8/0,2KW 2525G F400 | E01 | 4.170,59 |
| 5149051100 | KCTR-H/2/4-250 0,8/0,2KW 2660G F400 | E01 | 4.170,59 |
| 5149051200 | KCTR-H/2/4-250 1,1/0,25KW 2840G F400 | E01 | 4.212,72 |
| 5149051300 | KCTR-H/2/4-250 1,1/0,25KW 3020G F400 | E01 | 4.212,72 |
| 5149051400 | KCTR-H/2/4-250 1,1/0,25KW 3200G F400 | E01 | 4.212,72 |
| 5149051500 | KCTR-H/2/4-315 1,1/0,25KW 1620G F400 | E01 | 4.797,54 |
| 5149051600 | KCTR-H/2/4-315 1,1/0,25KW 1730G F400 | E01 | 4.797,54 |
| 5149051700 | KCTR-H/2/4-315 1,1/0,25KW 1840G F400 | E01 | 4.797,54 |
| 5149051800 | KCTR-H/2/4-315 1,1/0,25KW 1950G F400 | E01 | 4.797,54 |
| 5149051900 | KCTR-H/2/4-315 1,5/0,37KW 2080G F400 | E01 | 4.945,93 |
| 5149052000 | KCTR-H/2/4-315 1,5/0,37KW 2210G F400 | E01 | 4.945,93 |
| 5149052100 | KCTR-H/2/4-315 1,5/0,37KW 2340G F400 | E01 | 4.945,93 |
| 5149052200 | KCTR-H/4/6-355 1,5/0,37KW 1485G F400 | E01 | 6.216,92 |
| 5149052300 | KCTR-H/4/6-355 1,5/0,37KW 1610G F400 | E01 | 6.216,92 |
| 5149052400 | KCTR-H/4/6-355 1,5/0,37KW 1735G F400 | E01 | 6.216,92 |
| 5149052500 | KCTR-H/4/6-355 1,5/0,37KW 1860G F400 | E01 | 6.216,92 |
| 5149052600 | KCTR-H/4/6-355 2,2/0,7KW 1950G F400 | E01 | 6.475,96 |
| 5149052700 | KCTR-H/4/6-355 2,2/0,7KW 2040G F400 | E01 | 6.475,96 |
| 5149052800 | KCTR-H/4/6-355 2,2/0,7KW 2130G F400 | E01 | 6.475,96 |
| 5149052900 | KCTR-H/4/6-400 2,2/0,7KW 1230G F400 | E01 | 7.176,49 |
| 5149053000 | KCTR-H/4/6-400 2,2/0,7KW 1320G F400 | E01 | 7.176,49 |
| 5149053100 | KCTR-H/4/6-400 2,2/0,7KW 1410G F400 | E01 | 7.176,49 |
| 5149053200 | KCTR-H/4/6-400 2,2/0,7KW 1500G F400 | E01 | 7.176,49 |
| 5149053300 | KCTR-H/4/6-400 2,2/0,7KW 1590G F400 | E01 | 7.176,49 |
| 5149053400 | KCTR-H/4/6-400 3/1KW 1675G F400 | E01 | 7.475,51 |
| 5149053500 | KCTR-H/4/6-400 3/1KW 1760G F400 | E01 | 7.475,51 |
| 5149053600 | KCTR-H/4/6-400 3/1KW 1845G F400 | E01 | 7.475,51 |
| 5149053700 | KCTR-H/4/6-400 3/1KW 1930G F400 | E01 | 7.475,51 |
| 5149053800 | KCTR-H/4/6-450 3/1KW 1180G F400 | E01 | 8.579,65 |
| 5149053900 | KCTR-H/4/6-450 3/1KW 1255G F400 | E01 | 8.579,65 |
| 5149054000 | KCTR-H/4/6-450 3/1KW 1330G F400 | E01 | 8.579,65 |
| 5149054100 | KCTR-H/4/6-450 3/1KW 1405G F400 | E01 | 8.579,65 |
| 5149054200 | KCTR-H/4/6-450 3/1KW 1480G F400 | E01 | 8.579,65 |
| 5149054300 | KCTR-H/4/6-450 4,5/1,5 KW 1555G F400 | E01 | 8.937,11 |
| 5149054400 | KCTR-H/4/6-450 4,5/1,5 KW 1630G F400 | E01 | 8.937,11 |
| 5149054500 | KCTR-H/4/6-450 4,5/1,5 KW 1705G F400 | E01 | 8.937,11 |
| 5149054600 | KCTR-H/4/6-450 4,5/1,5 KW 1780G F400 | E01 | 8.937,11 |
| 5149054700 | KCTR-H/4/6-500 4,5/1,5 KW 1220G F400 | E01 | 10.103,95 |
| 5149054800 | KCTR-H/4/6-500 4,5/1,5 KW 1345G F400 | E01 | 10.103,95 |
| 5149054900 | KCTR-H/4/6-500 4,5/1,5 KW 1470G F400 | E01 | 10.103,95 |
| 5149055000 | KCTR-H/4/6-500 6/2,2KW 1595G F400 | E01 | 10.863,96 |
| 5149055100 | KCTR-H/4/6-500 6/2,2KW 1720G F400 | E01 | 10.863,96 |

DESCARGA VERTICAL

| Código | Modelo | Grupo producto | Precio €/u. |
|--------------------|--------------------------------|----------------|-----------------|
| 1 VELOCIDAD | | | |
| 5149055200 | KCTR-V/2-250 0,75KW 2255G F400 | E01 | 3.827,78 |
| 5149055300 | KCTR-V/2-250 0,75KW 2390G F400 | E01 | 3.827,78 |
| 5149055400 | KCTR-V/2-250 0,75KW 2525G F400 | E01 | 3.827,78 |
| 5149055500 | KCTR-V/2-250 0,75KW 2660G F400 | E01 | 3.827,78 |
| 5149055600 | KCTR-V/2-250 1,1KW 2840G F400 | E01 | 3.866,46 |
| 5149055700 | KCTR-V/2-250 1,1KW 3020G F400 | E01 | 3.866,46 |
| 5149055800 | KCTR-V/2-250 1,1KW 3200G F400 | E01 | 3.866,46 |
| | | | |
| 5149055900 | KCTR-V/2-315 1,1KW 1620G F400 | E01 | 4.652,60 |
| 5149056000 | KCTR-V/2-315 1,1KW 1730G F400 | E01 | 4.652,60 |
| 5149056100 | KCTR-V/2-315 1,1KW 1840G F400 | E01 | 4.652,60 |
| 5149056200 | KCTR-V/2-315 1,1KW 1950G F400 | E01 | 4.652,60 |
| 5149056300 | KCTR-V/2-315 1,5KW 2080G F400 | E01 | 4.723,45 |
| 5149056400 | KCTR-V/2-315 1,5KW 2210G F400 | E01 | 4.723,45 |
| 5149056500 | KCTR-V/2-315 1,5KW 2340G F400 | E01 | 4.723,45 |
| | | | |
| 5149056600 | KCTR-V/4-355 1,5KW 1485G F400 | E01 | 5.320,00 |
| 5149056700 | KCTR-V/4-355 1,5KW 1610G F400 | E01 | 5.320,00 |
| 5149056800 | KCTR-V/4-355 1,5KW 1735G F400 | E01 | 5.320,00 |
| 5149056900 | KCTR-V/4-355 1,5KW 1860G F400 | E01 | 5.320,00 |
| 5149057000 | KCTR-V/4-355 2,2KW 1950G F400 | E01 | 5.484,54 |
| 5149057100 | KCTR-V/4-355 2,2KW 2040G F400 | E01 | 5.484,54 |
| 5149057200 | KCTR-V/4-355 2,2KW 2130G F400 | E01 | 5.484,54 |
| | | | |
| 5149057300 | KCTR-V/4-400 2,2KW 1230G F400 | E01 | 6.282,21 |
| 5149057400 | KCTR-V/4-400 2,2KW 1320G F400 | E01 | 6.282,21 |
| 5149057500 | KCTR-V/4-400 2,2KW 1410G F400 | E01 | 6.282,21 |
| 5149057600 | KCTR-V/4-400 2,2KW 1500G F400 | E01 | 6.282,21 |
| 5149057700 | KCTR-V/4-400 2,2KW 1590G F400 | E01 | 6.282,21 |
| 5149057800 | KCTR-V/4-400 3KW 1675G F400 | E01 | 6.443,28 |
| 5149057900 | KCTR-V/4-400 3KW 1760G F400 | E01 | 6.443,28 |
| 5149058000 | KCTR-V/4-400 3KW 1845G F400 | E01 | 6.443,28 |
| 5149058100 | KCTR-V/4-400 3KW 1930G F400 | E01 | 6.443,28 |
| | | | |
| 5149058200 | KCTR-V/4-450 3KW 1180G F400 | E01 | 7.715,29 |
| 5149058300 | KCTR-V/4-450 3KW 1255G F400 | E01 | 7.715,29 |
| 5149058400 | KCTR-V/4-450 3KW 1330G F400 | E01 | 7.715,29 |
| 5149058500 | KCTR-V/4-450 3KW 1405G F400 | E01 | 7.715,29 |
| 5149058600 | KCTR-V/4-450 3KW 1480G F400 | E01 | 7.715,29 |
| 5149058700 | KCTR-V/4-450 4KW 1555G F400 | E01 | 7.913,12 |
| 5149058800 | KCTR-V/4-450 4KW 1630G F400 | E01 | 7.913,12 |
| 5149058900 | KCTR-V/4-450 4KW 1705G F400 | E01 | 7.913,12 |
| 5149059000 | KCTR-V/4-450 4KW 1780G F400 | E01 | 7.913,12 |
| | | | |
| 5149059100 | KCTR-V/4-500 4KW 1220G F400 | E01 | 8.945,90 |
| 5149059200 | KCTR-V/4-500 4KW 1345G F400 | E01 | 8.945,90 |
| 5149059300 | KCTR-V/4-500 4KW 1470G F400 | E01 | 8.945,90 |
| 5149059400 | KCTR-V/4-500 5,5KW 1595G F400 | E01 | 9.418,93 |
| 5149059500 | KCTR-V/4-500 5,5KW 1720G F400 | E01 | 9.418,93 |

DESCARGA VERTICAL

| Código | Modelo | Grupo producto | Precio €/u. |
|----------------------|--------------------------------------|----------------|------------------|
| 2 VELOCIDADES | | | |
| 5149059600 | KCTR-V/2/4-250 0,8/0,2KW 2255G F400 | E01 | 3.986,19 |
| 5149059700 | KCTR-V/2/4-250 0,8/0,2KW 2390G F400 | E01 | 3.986,19 |
| 5149059800 | KCTR-V/2/4-250 0,8/0,2KW 2525G F400 | E01 | 3.986,19 |
| 5149059900 | KCTR-V/2/4-250 0,8/0,2KW 2660G F400 | E01 | 3.986,19 |
| 5149060000 | KCTR-V/2/4-250 1,1/0,25KW 2840G F400 | E01 | 4.026,46 |
| 5149060100 | KCTR-V/2/4-250 1,1/0,25KW 3020G F400 | E01 | 4.026,46 |
| 5149060200 | KCTR-V/2/4-250 1,1/0,25KW 3200G F400 | E01 | 4.026,46 |
| | | | |
| 5149060300 | KCTR-V/2/4-315 1,1/0,25KW 1620G F400 | E01 | 4.765,74 |
| 5149060400 | KCTR-V/2/4-315 1,1/0,25KW 1730G F400 | E01 | 4.765,74 |
| 5149060500 | KCTR-V/2/4-315 1,1/0,25KW 1840G F400 | E01 | 4.765,74 |
| 5149060600 | KCTR-V/2/4-315 1,1/0,25KW 1950G F400 | E01 | 4.765,74 |
| 5149060700 | KCTR-V/2/4-315 1,5/0,37KW 2080G F400 | E01 | 4.913,16 |
| 5149060800 | KCTR-V/2/4-315 1,5/0,37KW 2210G F400 | E01 | 4.913,16 |
| 5149060900 | KCTR-V/2/4-315 1,5/0,37KW 2340G F400 | E01 | 4.913,16 |
| | | | |
| 5149061000 | KCTR-V/4/6-355 1,5/0,37KW 1485G F400 | E01 | 5.947,24 |
| 5149061100 | KCTR-V/4/6-355 1,5/0,37KW 1610G F400 | E01 | 5.947,24 |
| 5149061200 | KCTR-V/4/6-355 1,5/0,37KW 1735G F400 | E01 | 5.947,24 |
| 5149061300 | KCTR-V/4/6-355 1,5/0,37KW 1860G F400 | E01 | 5.947,24 |
| 5149061400 | KCTR-V/4/6-355 2,2/0,7KW 1950G F400 | E01 | 6.195,06 |
| 5149061500 | KCTR-V/4/6-355 2,2/0,7KW 2040G F400 | E01 | 6.195,06 |
| 5149061600 | KCTR-V/4/6-355 2,2/0,7KW 2130G F400 | E01 | 6.195,06 |
| | | | |
| 5149061700 | KCTR-V/4/6-400 2,2/0,7KW 1230G F400 | E01 | 6.938,60 |
| 5149061800 | KCTR-V/4/6-400 2,2/0,7KW 1320G F400 | E01 | 6.938,60 |
| 5149061900 | KCTR-V/4/6-400 2,2/0,7KW 1410G F400 | E01 | 6.938,60 |
| 5149062000 | KCTR-V/4/6-400 2,2/0,7KW 1500G F400 | E01 | 6.938,60 |
| 5149062100 | KCTR-V/4/6-400 2,2/0,7KW 1590G F400 | E01 | 6.938,60 |
| 5149062200 | KCTR-V/4/6-400 3/1KW 1675G F400 | E01 | 7.227,72 |
| 5149062300 | KCTR-V/4/6-400 3/1KW 1760G F400 | E01 | 7.227,72 |
| 5149062400 | KCTR-V/4/6-400 3/1KW 1845G F400 | E01 | 7.227,72 |
| 5149062500 | KCTR-V/4/6-400 3/1KW 1930G F400 | E01 | 7.227,72 |
| | | | |
| 5149062600 | KCTR-V/4/6-450 3/1KW 1180G F400 | E01 | 8.532,30 |
| 5149062700 | KCTR-V/4/6-450 3/1KW 1255G F400 | E01 | 8.532,30 |
| 5149062800 | KCTR-V/4/6-450 3/1KW 1330G F400 | E01 | 8.532,30 |
| 5149062900 | KCTR-V/4/6-450 3/1KW 1405G F400 | E01 | 8.532,30 |
| 5149063000 | KCTR-V/4/6-450 3/1KW 1480G F400 | E01 | 8.532,30 |
| 5149063100 | KCTR-V/4/6-450 4,5/1,5 KW 1555G F400 | E01 | 8.887,82 |
| 5149063200 | KCTR-V/4/6-450 4,5/1,5 KW 1630G F400 | E01 | 8.887,82 |
| 5149063300 | KCTR-V/4/6-450 4,5/1,5 KW 1705G F400 | E01 | 8.887,82 |
| 5149063400 | KCTR-V/4/6-450 4,5/1,5 KW 1780G F400 | E01 | 8.887,82 |
| | | | |
| 5149063500 | KCTR-V/4/6-500 4,5/1,5 KW 1220G F400 | E01 | 9.794,74 |
| 5149063600 | KCTR-V/4/6-500 4,5/1,5 KW 1345G F400 | E01 | 9.794,74 |
| 5149063700 | KCTR-V/4/6-500 4,5/1,5 KW 1470G F400 | E01 | 9.794,74 |
| 5149063800 | KCTR-V/4/6-500 6/2,2KW 1595G F400 | E01 | 10.533,47 |
| 5149063900 | KCTR-V/4/6-500 6/2,2KW 1720G F400 | E01 | 10.533,47 |

ACCESORIOS ESPECÍFICOS DE MONTAJE SERIE KCTR

| Código | Modelo | Grupo producto | Precio €/u. |
|--|---------------------|----------------|-------------|
| Tapas Intemperie TPKD | | | |
| 5416028400 | TPKD 250 | E01 | 424,77 |
| 5416028500 | TPKD 315 | E01 | 486,89 |
| 5416028600 | TPKD 355 | E01 | 522,53 |
| 5416028700 | TPKD 400 | E01 | 537,75 |
| 5416028800 | TPKD 450 | E01 | 568,24 |
| 5416828600 | TPKD 500 | E01 | 642,54 |
| Viseras antilluvia verticales PPVZ | | | |
| 5130061100 | PPVZ 250 | E01 | 166,82 |
| 5130061200 | PPVZ 315 | E01 | 209,25 |
| 5130061300 | PPVZ 355 | E01 | 375,51 |
| 5130061700 | PPVZ 400 | E01 | 428,09 |
| 5130061800 | PPVZ 450 | E01 | 484,25 |
| 5130866100 | PPVZ 500 | E01 | 546,35 |
| Viseras antilluvia horizontales PPHZ | | | |
| 5137000800 | PPHZ 250 | E01 | 155,67 |
| 5137000900 | PPHZ 315 | E01 | 183,20 |
| 5137986700 | PPHZ 355 | E01 | 186,88 |
| 5137986800 | PPHZ 400 | E01 | 214,77 |
| 5137001200 | PPHZ 450 | E01 | 225,73 |
| 5137001400 | PPHZ 500 | E01 | 275,32 |
| Rejas antipájaros AVRZ | | | |
| 5416025500 | AVRZ 250 | E01 | 102,96 |
| 5416025600 | AVRZ 315 | E01 | 115,36 |
| 5416025700 | AVRZ 355 | E01 | 124,33 |
| 5416025800 | AVRZ 400 | E01 | 134,83 |
| 5416025900 | AVRZ 450 | E01 | 143,99 |
| 5416026000 | AVRZ 500 | E01 | 160,94 |
| Bridas circulares de aspiración RCAZ | | | |
| 5416026100 | RCAZ 600X500 Ø 400 | E01 | 113,14 |
| 5416026200 | RCAZ 700X600 Ø 500 | E01 | 134,47 |
| 5416026300 | RCAZ 800X700 Ø 560 | E01 | 171,20 |
| 5416026400 | RCAZ 900X800 Ø 630 | E01 | 178,75 |
| 5416026500 | RCAZ 1000X900 Ø 710 | E01 | 241,90 |
| 5416026600 | RCAZ 1000X900 Ø 800 | E01 | 244,46 |
| Bridas circulares de descarga RCRZ | | | |
| 5416026700 | RCRZ 400 | E01 | 347,90 |
| 5416026800 | RCRZ 500 | E01 | 380,64 |
| 5416026900 | RCRZ 560 | E01 | 428,52 |
| 5416027000 | RCRZ 630 | E01 | 481,30 |
| 5416027100 | RCRZ 710 | E01 | 551,31 |
| 5416027200 | RCRZ 800 | E01 | 708,89 |
| Acoplamiento elástico de aspiración MSCZ | | | |
| 5416027300 | MSCZ 600X500 M0 | E01 | 160,22 |
| 5416027400 | MSCZ 700X600 M0 | E01 | 177,18 |
| 5416027500 | MSCZ 800X700 M0 | E01 | 195,17 |
| 5416027600 | MSCZ 900X800 M0 | E01 | 210,39 |
| 5416027700 | MSCZ 1000X900 M0 | E01 | 227,44 |
| Acoplamiento elástico de descarga MSCZ | | | |
| 5416027800 | MSCZ 325X325 M0 | E01 | 124,47 |
| 5416027900 | MSCZ 407X407 M0 | E01 | 137,89 |
| 5416028000 | MSCZ 457X457 M0 | E01 | 145,03 |
| 5416028100 | MSCZ 510X510 M0 | E01 | 153,04 |
| 5416028200 | MSCZ 572X572 M0 | E01 | 163,77 |
| 5416028300 | MSCZ 640X640 M0 | E01 | 175,46 |

Serie CHMTC



Cajas de ventilación desenfumage, capacitadas para trabajar inmersas a 400°C/2h, fabricadas en chapa de acero galvanizada, aislamiento acústico de espuma de melamina (M1), de 7 mm de espesor, ventilador centrífugo de simple aspiración, con rodete de acero galvanizado de álabes hacia adelante equilibrado dinámicamente, carcasa protegida contra la corrosión, motor trifásico, IP55, Clase H, para uso continuo (S1) o emergencia (S2).

Aplicaciones específicas



Parkings

Cocinas industriales

Motores

De 4 ó 6 polos, según versiones.
Modelos de 2 velocidades, bajo demanda.
Tensión de alimentación
Trifásicos 230/400V- 50Hz, hasta 3 kW
400V- 50Hz, para potencias superiores

Es imprescindible comprobar que las características eléctricas (voltaje, intensidad, frecuencia, etc) del motor que aparecen en la placa del mismo son compatibles con las de la instalación.

| Código | Modelo | Velocidad (r.p.m.) | Potencia útil (kW) | Intensidad absorbida máxima (A) | | Caudal máximo (m³/h) | Nivel de presión sonora* (dB(A)) | Grupo producto | Precio €/u. |
|------------|----------------------|--------------------|--------------------|---------------------------------|-------|----------------------|----------------------------------|----------------|-------------|
| | | | | 230 V | 400 V | | | | |
| 4 POLOS | | | | | | | | | |
| 5148278200 | CHMTC/4-225/090-0,55 | 1430 | 0,55 | 2,4 | 1,4 | 2.600 | 65 | E01 | 3.334,09 |
| 5148283300 | CHMTC/4-250/100-1,1 | 1390 | 1,1 | 4,7 | 2,7 | 3.600 | 66 | E01 | 3.583,78 |
| 5148278300 | CHMTC/4-250/100-1,5 | 1400 | 1,5 | 6,6 | 3,8 | 3.900 | 67 | E01 | 3.925,49 |
| 5148278400 | CHMTC/4-280/115-2,2 | 1400 | 2,2 | 9,5 | 5,5 | 5.069 | 69 | E01 | 4.470,97 |
| 5148283400 | CHMTC/4-315/130-2,2 | 1400 | 2,2 | 9,5 | 5,5 | 5.466 | 66 | E01 | 4.604,20 |
| 5148283500 | CHMTC/4-315/130-3 | 1400 | 3 | 13 | 7,5 | 6.400 | 69 | E01 | 5.202,22 |
| 5148278500 | CHMTC/4-315/130-4 | 1420 | 4 | - | 9,5 | 7.100 | 72 | E01 | 5.749,08 |
| 5148278600 | CHMTC/4-355/145-3 | 1400 | 3 | 13 | 7,5 | 6.200 | 69 | E01 | 5.541,96 |
| 5148283600 | CHMTC/4-355/145-4 | 1420 | 4 | - | 9,5 | 7.700 | 72 | E01 | 6.033,38 |
| 5148283700 | CHMTC/4-355/145-5,5 | 1440 | 5,5 | - | 12,5 | 9.300 | 75 | E01 | 6.551,00 |
| 5148283800 | CHMTC/4-355/145-7,5 | 1445 | 7,5 | - | 16 | 10.700 | 77 | E01 | 7.097,58 |
| 5148283900 | CHMTC/4-400/165-4 | 1420 | 4 | - | 9,5 | 7.200 | 71 | E01 | 6.320,99 |
| 5148284000 | CHMTC/4-400/165-5,5 | 1440 | 5,5 | - | 12,5 | 8.300 | 74 | E01 | 6.838,85 |
| 5148284100 | CHMTC/4-400/165-7,5 | 1445 | 7,5 | - | 16 | 10.460 | 77 | E01 | 7.380,01 |
| 5148278800 | CHMTC/4-450/185-5,5 | 1470 | 5,5 | - | 12,9 | 7.560 | 77 | E01 | 7.068,32 |
| 5148284200 | CHMTC/4-450/185-7,5 | 1470 | 7,5 | - | 16 | 9.900 | 80 | E01 | 7.621,21 |
| 5148278900 | CHMTC/4-500/205-11 | 1467 | 11 | - | 23 | 11.281 | 81 | E01 | 9.955,20 |
| 5148284300 | CHMTC/4-500/205-15 | 1470 | 15 | - | 31 | 15.930 | 83 | E01 | 10.911,88 |
| 6 POLOS | | | | | | | | | |
| 5148284400 | CHMTC/6-315/130-1,1 | 965 | 1,1 | 3,3 | 5,7 | 5.400 | 63 | E01 | 4.765,29 |
| 5148284500 | CHMTC/6-355/145-1,1 | 965 | 1,1 | 3,3 | 5,7 | 6.700 | 68 | E01 | 4.990,88 |
| 5148278700 | CHMTC/6-400/165-2,2 | 975 | 2,2 | 3,7 | 6,3 | 7.590 | 67 | E01 | 6.603,99 |
| 5148284600 | CHMTC/6-450/185-2,2 | 975 | 2,2 | 3,7 | 6,3 | 7.110 | 69 | E01 | 6.864,00 |

* Nivel de Presión Sonora Radiada medido a 1,5 m en campo libre con aspiración y descarga entubados.

Serie CRMTC



Cajas de ventilación desenfumage, capacitadas para trasegar aire a 400°C/2h, fabricadas en chapa de acero galvanizada, aislamiento acústico de espuma de melamina (M1), de 7 mm de espesor, ventilador centrífugo de simple aspiración, con rodete de acero galvanizado de álabes hacia adelante equilibrado dinámicamente, carcasa protegida contra la corrosión, motor trifásico, IP55, Clase F.

Aplicaciones específicas



Homologados según norma EN12101-3



Continuo



Parkings



Cocinas industriales

Motores

De 4 ó 6 polos, según versiones.
Modelos de 2 velocidades, bajo demanda.
Tensión de alimentación
Trifásicos 230/400V-50Hz, hasta 3 kW
400V-50Hz, para potencias superiores

Es imprescindible comprobar que las características eléctricas (voltaje, intensidad, frecuencia, etc) del motor que aparecen en la placa del mismo son compatibles con las de la instalación.

| Código | Modelo | Velocidad (r.p.m.) | Potencia útil (kW) | Intensidad absorbida máxima (A) | | Caudal máximo (m³/h) | Nivel de presión sonora* (dB(A)) | Grupo producto | Precio €/u. |
|------------|----------------------|--------------------|--------------------|---------------------------------|-------|----------------------|----------------------------------|----------------|-------------|
| | | | | 230 V | 400 V | | | | |
| 4 POLOS | | | | | | | | | |
| 5148277400 | CRMTC/4-225/090-0,55 | 1390 | 0,55 | 2,85 | 1,65 | 2.350 | 64 | E01 | 1.645,59 |
| 5148277500 | CRMTC/4-250/100-1,1 | 1390 | 1,1 | 4,8 | 2,8 | 3.600 | 66 | E01 | 1.888,31 |
| 5148281700 | CRMTC/4-250/100-1,5 | 1400 | 1,5 | 6,4 | 3,7 | 3.900 | 67 | E01 | 1.952,47 |
| 5148277600 | CRMTC/4-280/115-2,2 | 1400 | 2,2 | 9,1 | 5,3 | 5.050 | 69 | E01 | 2.222,87 |
| 5148281800 | CRMTC/4-280/115-3 | 1400 | 3 | 12,6 | 7,3 | 5.500 | 70 | E01 | 2.312,67 |
| 5148281900 | CRMTC/4-315/130-2,2 | 1400 | 2,2 | 9,1 | 5,3 | 5.450 | 66 | E01 | 2.359,47 |
| 5148277700 | CRMTC/4-315/130-3 | 1400 | 3 | 12,6 | 7,3 | 6.400 | 69 | E01 | 2.449,31 |
| 5148282000 | CRMTC/4-315/130-4 | 1420 | 4 | - | 9,3 | 7.100 | 72 | E01 | 2.606,78 |
| 5148282100 | CRMTC/4-355/145-3 | 1400 | 3 | 12,6 | 7,3 | 6.200 | 69 | E01 | 2.859,41 |
| 5148282200 | CRMTC/4-355/145-4 | 1420 | 4 | - | 9,3 | 7.700 | 72 | E01 | 2.961,58 |
| 5148277800 | CRMTC/4-355/145-5,5 | 1440 | 5,5 | - | 12 | 9.300 | 75 | E01 | 3.192,72 |
| 5148282300 | CRMTC/4-355/145-7,5 | 1445 | 7,5 | - | 15,5 | 10.700 | 77 | E01 | 3.452,13 |
| 5148282400 | CRMTC/4-400/165-4 | 1420 | 4 | - | 9,3 | 7.200 | 71 | E01 | 3.252,69 |
| 5148282500 | CRMTC/4-400/165-5,5 | 1440 | 5,5 | - | 12 | 8.300 | 74 | E01 | 3.484,03 |
| 5148277900 | CRMTC/4-400/165-7,5 | 1445 | 7,5 | - | 15,5 | 10.460 | 77 | E01 | 3.743,34 |
| 5148278000 | CRMTC/4-450/185-5,5 | 1445 | 5,5 | - | 12 | 7.560 | 77 | E01 | 3.738,22 |
| 5148282600 | CRMTC/4-450/185-7,5 | 1445 | 7,5 | - | 15,5 | 9.900 | 80 | E01 | 3.997,68 |
| 5148282700 | CRMTC/4-500/205-7,5 | 1445 | 7,5 | - | 15,5 | 8.410 | 77 | E01 | 5.161,58 |
| 5148282800 | CRMTC/4-500/205-9,2 | 1450 | 9,2 | - | 21,5 | 10.300 | 79 | E01 | 5.371,24 |
| 5148282900 | CRMTC/4-500/205-11 | 1450 | 11 | - | 22,5 | 11.250 | 81 | E01 | 5.843,80 |
| 5148278100 | CRMTC/4-500/205-15 | 1460 | 15 | - | 31 | 15.930 | 83 | E01 | 6.351,95 |
| 6 POLOS | | | | | | | | | |
| 5148283000 | CRMTC/6-355/145-1,5 | 945 | 1,5 | 7,5 | 4,3 | 6.700 | 69 | E01 | 2.882,89 |
| 5148283100 | CRMTC/6-400/165-2,2 | 950 | 2,2 | 10,8 | 6,2 | 7.750 | 66 | E01 | 3.226,31 |
| 5148283200 | CRMTC/6-450/185-2,2 | 950 | 2,2 | 10,8 | 6,2 | 7.800 | 69 | E01 | 3.549,70 |

* Nivel de Presión Sonora Radiada medido a 1,5m en campo libre con aspiración y descarga entubados.

Serie CVHT



Configuración
descarga horizontal
CVHT-H



Configuración
descarga vertical
CVHT-V

Cajas de ventilación a transmisión, desenfumage, capacitadas para trasegar aire a 400°C/2h, fabricadas en chapa de acero galvanizada, ventilador centrífugo de álabes hacia adelante, accionado a transmisión por un motor incorporado en el interior, IP55, Clase F, con sistema automático de tensión uniforme de la correa sin mantenimiento, exclusivo de S&P.

Motores

Pueden equipar motores de 0,37 a 18,5 kW. Tensión de alimentación

Trifásicos 230/400V-50Hz hasta 4 kW
400/690V-50Hz, para potencias

superiores
(Ver cuadro de características).

Motores monofásicos, hasta 2,2 kW (modelos CVHB), bajo demanda.

De 2 velocidades (4/6 y 4/8 polos), bajo demanda.



Otros datos

Modelos de descarga horizontal (versiones H) y modelos de descarga vertical (versiones V).

Suministro estándar:

Modelos horizontales: con transmisión a la derecha visto desde la boca de impulsión.

Transmisión a la izquierda (versión TI), bajo demanda.

Modelos verticales: con transmisión a la derecha visto desde la boca de aspiración.

Transmisión a la izquierda (versión TI), bajo demanda.

Aplicaciones específicas



Homologados según norma EN12101-3. Certificación nº 0370-CPD-0359



Continuo



Parkings



Cocinas industriales

Es imprescindible comprobar que las características eléctricas (voltaje, intensidad, frecuencia, etc) del motor que aparecen en la placa del mismo son compatibles con las de la instalación.

| Código Descarga Horizontal | Modelos Descarga Horizontal | Código Descarga Vertical | Modelos Descarga Vertical | Potencia útil motor (kW) | Grupo producto | Precio €/u. |
|----------------------------|-----------------------------|--------------------------|---------------------------|--------------------------|----------------|-------------|
| G100909002U | CVHT-H-9/9-0,25 | G110909002U | CVHT-V-9/9-0,25 | 0,25 | E14 | 2.081,87 |
| G100909003U | CVHT-H-9/9-0,37 | G110909003U | CVHT-V-9/9-0,37 | 0,37 | E14 | 2.104,69 |
| G100909005U | CVHT-H-9/9-0,55 | G110909005U | CVHT-V-9/9-0,55 | 0,55 | E14 | 2.139,72 |
| G100909007U | CVHT-H-9/9-0,75 | G110909007U | CVHT-V-9/9-0,75 | 0,75 | E14 | 2.174,79 |
| G100909011U | CVHT-H-9/9-1,1 | G110909011U | CVHT-V-9/9-1,1 | 1,1 | E14 | 2.209,84 |
| G101010002U | CVHT-H-10/10-0,25 | G111010002U | CVHT-V-10/10-0,25 | 0,25 | E14 | 2.187,72 |
| G101010003U | CVHT-H-10/10-0,37 | G111010003U | CVHT-V-10/10-0,37 | 0,37 | E14 | 2.209,84 |
| G101010005U | CVHT-H-10/10-0,55 | G111010005U | CVHT-V-10/10-0,55 | 0,55 | E14 | 2.244,87 |
| G101010007U | CVHT-H-10/10-0,75 | G111010007U | CVHT-V-10/10-0,75 | 0,75 | E14 | 2.280,09 |
| G101010011U | CVHT-H-10/10-1,1 | G111010011U | CVHT-V-10/10-1,1 | 1,1 | E14 | 2.350,17 |
| G101010015U | CVHT-H-10/10-1,5 | G111010015U | CVHT-V-10/10-1,5 | 1,5 | E14 | 2.385,35 |
| G101010022U | CVHT-H-10/10-2,2 | G111010022U | CVHT-V-10/10-2,2 | 2,2 | E14 | 2.510,89 |
| G101212003U | CVHT-H-12/12-0,37 | G111212003U | CVHT-V-12/12-0,37 | 0,37 | E14 | 2.831,97 |
| G101212005U | CVHT-H-12/12-0,55 | G111212005U | CVHT-V-12/12-0,55 | 0,55 | E14 | 2.876,30 |
| G101212007U | CVHT-H-12/12-0,75 | G111212007U | CVHT-V-12/12-0,75 | 0,75 | E14 | 2.911,38 |
| G101212011U | CVHT-H-12/12-1,1 | G111212011U | CVHT-V-12/12-1,1 | 1,1 | E14 | 2.946,45 |
| G101212015U | CVHT-H-12/12-1,5 | G111212015U | CVHT-V-12/12-1,5 | 1,5 | E14 | 3.016,51 |
| G101212022U | CVHT-H-12/12-2,2 | G111212022U | CVHT-V-12/12-2,2 | 2,2 | E14 | 3.156,98 |
| G101212030U | CVHT-H-12/12-3 | G111212030U | CVHT-V-12/12-3 | 3 | E14 | 3.188,57 |
| G101515011U | CVHT-H-15/15-1,1 | G111515011U | CVHT-V-15/15-1,1 | 1,1 | E14 | 3.577,92 |
| G101515015U | CVHT-H-15/15-1,5 | G111515015U | CVHT-V-15/15-1,5 | 1,5 | E14 | 3.612,92 |
| G101515022U | CVHT-H-15/15-2,2 | G111515022U | CVHT-V-15/15-2,2 | 2,2 | E14 | 3.753,13 |
| G101515030U | CVHT-H-15/15-3 | G111515030U | CVHT-V-15/15-3 | 3 | E14 | 3.788,20 |
| G101515040U | CVHT-H-15/15-4 | G111515040U | CVHT-V-15/15-4 | 4 | E14 | 4.103,92 |
| G101818011U | CVHT-H-18/18-1,1 | G111818011U | CVHT-V-18/18-1,1 | 1,1 | E14 | 3.963,71 |
| G101818015U | CVHT-H-18/18-1,5 | G111818015U | CVHT-V-18/18-1,5 | 1,5 | E14 | 3.998,74 |
| G101818022U | CVHT-H-18/18-2,2 | G111818022U | CVHT-V-18/18-2,2 | 2,2 | E14 | 4.103,92 |
| G101818030U | CVHT-H-18/18-3 | G111818030U | CVHT-V-18/18-3 | 3 | E14 | 4.209,22 |
| G101818040U | CVHT-H-18/18-4 | G111818040U | CVHT-V-18/18-4 | 4 | E14 | 4.454,69 |
| G101818055U | CVHT-H-18/18-5,5 | G111818055U | CVHT-V-18/18-5,5 | 5,5 | E14 | 4.805,48 |
| G101818075U | CVHT-H-18/18-7,5 | G111818075U | CVHT-V-18/18-7,5 | 7,5 | E14 | 4.997,70 |

Es imprescindible comprobar que las características eléctricas (voltaje, intensidad, frecuencia, etc) del motor que aparecen en la placa del mismo son compatibles con las de la instalación.

| Código Descarga Horizontal | Modelos Descarga Horizontal | Código Descarga Vertical | Modelos Descarga Vertical | Potencia útil motor (kW) | Grupo producto | Precio €/u. |
|----------------------------|-----------------------------|--------------------------|---------------------------|--------------------------|----------------|------------------|
| G102020022U | CVHT-H-20/20-2,2 | G112020022U | CVHT-V-20/20-2,2 | 2,2 | E14 | 5.892,73 |
| G102020030U | CVHT-H-20/20-3 | G112020030U | CVHT-V-20/20-3 | 3 | E14 | 5.932,84 |
| G102020040U | CVHT-H-20/20-4 | G112020040U | CVHT-V-20/20-4 | 4 | E14 | 6.253,54 |
| G102020055U | CVHT-H-20/20-5,5 | G112020055U | CVHT-V-20/20-5,5 | 5,5 | E14 | 6.654,35 |
| G102020075U | CVHT-H-20/20-7,5 | G112020075U | CVHT-V-20/20-7,5 | 7,5 | E14 | 6.935,05 |
| | | | | | | |
| G102222022U | CVHT-H-22/22-2,2 | G112222022U | CVHT-V-22/22-2,2 | 2,2 | E14 | 7.368,34 |
| G102222030U | CVHT-H-22/22-3 | G112222030U | CVHT-V-22/22-3 | 3 | E14 | 7.453,55 |
| G102222040U | CVHT-H-22/22-4 | G112222040U | CVHT-V-22/22-4 | 4 | E14 | 7.666,56 |
| G102222055U | CVHT-H-22/22-5,5 | G112222055U | CVHT-V-22/22-5,5 | 5,5 | E14 | 8.049,79 |
| G102222075U | CVHT-H-22/22-7,5 | G112222075U | CVHT-V-22/22-7,5 | 7,5 | E14 | 8.390,56 |
| G102222092U | CVHT-H-22/22-9,2 | G112222092U | CVHT-V-22/22-9,2 | 9,2 | E14 | 9.041,45 |
| G102222110U | CVHT-H-22/22-11 | G112222110U | CVHT-V-22/22-11 | 11 | E14 | 9.370,31 |
| G102222150U | CVHT-H-22/22-15 | G112222150U | CVHT-V-22/22-15 | 15 | E14 | 10.026,18 |
| | | | | | | |
| G102525022U | CVHT-H-25/25-2,2 | G112525022U | CVHT-V-25/25-2,2 | 2,2 | E14 | 8.177,71 |
| G102525030U | CVHT-H-25/25-3 | G112525030U | CVHT-V-25/25-3 | 3 | E14 | 8.220,24 |
| G102525040U | CVHT-H-25/25-4 | G112525040U | CVHT-V-25/25-4 | 4 | E14 | 8.475,77 |
| G102525055U | CVHT-H-25/25-5,5 | G112525055U | CVHT-V-25/25-5,5 | 5,5 | E14 | 8.859,04 |
| G102525075U | CVHT-H-25/25-7,5 | G112525075U | CVHT-V-25/25-7,5 | 7,5 | E14 | 9.242,38 |
| G102525092U | CVHT-H-25/25-9,2 | G112525092U | CVHT-V-25/25-9,2 | 9,2 | E14 | 9.884,52 |
| G102525110U | CVHT-H-25/25-11 | G112525110U | CVHT-V-25/25-11 | 11 | E14 | 10.307,26 |
| G102525150U | CVHT-H-25/25-15 | G112525150U | CVHT-V-25/25-15 | 15 | E14 | 10.994,60 |
| | | | | | | |
| G103028030U | CVHT-H-30/28-3 | G113028030U | CVHT-V-30/28-3 | 3 | E14 | 9.625,64 |
| G103028040U | CVHT-H-30/28-4 | G113028040U | CVHT-V-30/28-4 | 4 | E14 | 9.796,12 |
| G103028055U | CVHT-H-30/28-5,5 | G113028055U | CVHT-V-30/28-5,5 | 5,5 | E14 | 10.307,26 |
| G103028075U | CVHT-H-30/28-7,5 | G113028075U | CVHT-V-30/28-7,5 | 7,5 | E14 | 10.520,13 |
| G103028092U | CVHT-H-30/28-9,2 | G113028092U | CVHT-V-30/28-9,2 | 9,2 | E14 | 11.149,08 |
| G103028110U | CVHT-H-30/28-11 | G113028110U | CVHT-V-30/28-11 | 11 | E14 | 11.499,70 |
| G103028150U | CVHT-H-30/28-15 | G113028150U | CVHT-V-30/28-15 | 15 | E14 | 12.266,54 |
| G103028185U | CVHT-H-30/28-18,5 | G113028185U | CVHT-V-30/28-18,5 | 18,5 | E14 | 13.772,24 |

ACCESORIOS DE MONTAJE ESPECÍFICOS

| Código | Modelo | Para modelo de caja horizontal | Grupo producto | Precio €/u. |
|-----------------------|------------|--------------------------------|----------------|---------------|
| Tapas Intemperie CHTI | | | | |
| 5402016900 | CHTI-9/9 | CVHT-9/9 | E01 | 52,30 |
| 5402017700 | CHTI-10/10 | CVHT-10/10 | E01 | 58,05 |
| 5402018500 | CHTI-12/12 | CVHT-12/12 | E01 | 85,87 |
| 5402019300 | CHTI-15/15 | CVHT-15/15 | E01 | 96,31 |
| 5402020100 | CHTI-18/18 | CVHT-18/18 | E01 | 128,53 |
| 5402021900 | CHTI-20/20 | CVHT-20/20 | E01 | 197,09 |
| 5402022700 | CHTI-22/22 | CVHT-22/22 | E01 | 227,49 |
| 5402023500 | CHTI-25/25 | CVHT-25/25 | E01 | 264,97 |
| 5402024300 | CHTI-30/28 | CVHT-30/28 | E01 | 362,87 |

| Código | Modelo | Modelo caja | Grupo producto | Precio €/u. |
|--|--------------------------|-------------|----------------|---------------|
| Acoplamiento elásticos rectangulares ACOP RECT | | | | |
| 5402034000 | ACOP RECT F400 9/9 ASP | CVHT-9/9 | E01 | 139,46 |
| 5402033100 | ACOP RECT F400 9/9 IMP | CVHT-9/9 | E01 | 118,46 |
| 5402034100 | ACOP RECT F400 10/10 ASP | CVHT-10/10 | E01 | 150,21 |
| 5402033200 | ACOP RECT F400 10/10 IMP | CVHT-10/10 | E01 | 122,87 |
| 5402034200 | ACOP RECT F400 12/12 ASP | CVHT-12/12 | E01 | 156,31 |
| 5402033300 | ACOP RECT F400 12/12 IMP | CVHT-12/12 | E01 | 135,48 |
| 5402034300 | ACOP RECT F400 15/15 ASP | CVHT-15/15 | E01 | 180,05 |
| 5402033400 | ACOP RECT F400 15/15 IMP | CVHT-15/15 | E01 | 149,40 |
| 5402034400 | ACOP RECT F400 18/18 ASP | CVHT-18/18 | E01 | 205,30 |
| 5402033500 | ACOP RECT F400 18/18 IMP | CVHT-18/18 | E01 | 162,09 |
| 5402034500 | ACOP RECT F400 20/20 ASP | CVHT-20/20 | E01 | 237,18 |
| 5402033600 | ACOP RECT F400 20/20 IMP | CVHT-20/20 | E01 | 187,07 |
| 5402034600 | ACOP RECT F400 22/22 ASP | CVHT-22/22 | E01 | 255,46 |
| 5402033700 | ACOP RECT F400 22/22 IMP | CVHT-22/22 | E01 | 207,00 |
| 5402034700 | ACOP RECT F400 25/25 ASP | CVHT-25/25 | E01 | 287,65 |
| 5402033800 | ACOP RECT F400 25/25 IMP | CVHT-25/25 | E01 | 236,89 |
| 5402034800 | ACOP RECT F400 30/28 ASP | CVHT-30/28 | E01 | 318,13 |
| 5402033900 | ACOP RECT F400 30/28 IMP | CVHT-30/28 | E01 | 255,18 |

Serie CVHN



Cajas de ventilación a transmisión, desenfumage, capacitadas para trasegar aire a 400°C/2h, fabricadas en chapa de acero galvanizada, ventilador centrífugo de álabes hacia adelante, accionado a transmisión por un motor incorporado en el interior, IP55, Clase F.

Motores

Pueden equipar motores de 0,37 a 7,5 kW.
Tensión de alimentación
Trifásicos 230/400V-50Hz hasta 4 kW.
400V-50Hz, para potencias superiores.
Motores monofásicos, hasta 2,2 kW (modelos CVHN-H-B y CVHN-V-B), bajo demanda.
De 2 velocidades (4/6 y 4/8 polos), bajo demanda.

Otros datos

Pueden ser instaladas en exterior sin necesidad de tapa de intemperie.
Modelos de descarga horizontal (versiones CVHN-H) y modelos de descarga vertical (versiones CVHN-V).
Suministro estándar:
Modelos horizontales: con transmisión a la derecha visto desde la boca de impulsión.
Transmisión a la izquierda (versión TI), bajo demanda.
Modelos verticales: con transmisión a la derecha visto desde la boca de aspiración.
Transmisión a la izquierda (versión TI), bajo demanda.

Aplicaciones específicas



Homologados según norma EN12101-3.
Certificación nº 0370-CPD-0359

Continuo

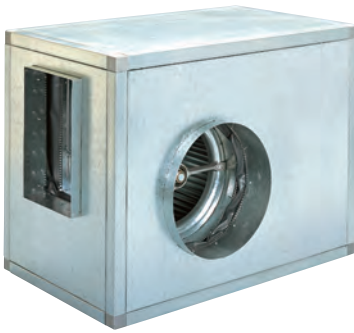
Parkings

Cocinas industriales

Es imprescindible comprobar que las características eléctricas (voltaje, intensidad, frecuencia, etc) del motor que aparecen en la placa del mismo son compatibles con las de la instalación.

| Código Descarga Horizontal | Modelos Descarga Horizontal | Código Descarga Vertical | Modelos Descarga Vertical | Potencia útil motor (kW) | Grupo producto | Precio €/u. |
|----------------------------|-----------------------------|--------------------------|---------------------------|--------------------------|----------------|-------------|
| G000909002U | CVHN-H-T-9/9-0,25 | G010909002U | CVHN-V-T-9/9-0,25 | 0,25 | E14 | 1.769,54 |
| G000909003U | CVHN-H-T-9/9-0,37 | G010909003U | CVHN-V-T-9/9-0,37 | 0,37 | E14 | 1.788,98 |
| G000909005U | CVHN-H-T-9/9-0,55 | G010909005U | CVHN-V-T-9/9-0,55 | 0,55 | E14 | 1.818,78 |
| G000909007U | CVHN-H-T-9/9-0,75 | G010909007U | CVHN-V-T-9/9-0,75 | 0,75 | E14 | 1.848,55 |
| G000909011U | CVHN-H-T-9/9-1,1 | G010909011U | CVHN-V-T-9/9-1,1 | 1,1 | E14 | 1.878,36 |
| G001010002U | CVHN-H-T-10/10-0,25 | G011010002U | CVHN-V-T-10/10-0,25 | 0,25 | E14 | 1.859,53 |
| G001010003U | CVHN-H-T-10/10-0,37 | G011010003U | CVHN-V-T-10/10-0,37 | 0,37 | E14 | 1.878,36 |
| G001010005U | CVHN-H-T-10/10-0,55 | G011010005U | CVHN-V-T-10/10-0,55 | 0,55 | E14 | 1.908,15 |
| G001010007U | CVHN-H-T-10/10-0,75 | G011010007U | CVHN-V-T-10/10-0,75 | 0,75 | E14 | 1.938,07 |
| G001010011U | CVHN-H-T-10/10-1,1 | G011010011U | CVHN-V-T-10/10-1,1 | 1,1 | E14 | 1.997,64 |
| G001010015U | CVHN-H-T-10/10-1,5 | G011010015U | CVHN-V-T-10/10-1,5 | 1,5 | E14 | 2.027,52 |
| G001010022U | CVHN-H-T-10/10-2,2 | G011010022U | CVHN-V-T-10/10-2,2 | 2,2 | E14 | 2.134,21 |
| G001212003U | CVHN-H-T-12/12-0,37 | G011212003U | CVHN-V-T-12/12-0,37 | 0,37 | E14 | 2.407,17 |
| G001212005U | CVHN-H-T-12/12-0,55 | G011212005U | CVHN-V-T-12/12-0,55 | 0,55 | E14 | 2.416,09 |
| G001212007U | CVHN-H-T-12/12-0,75 | G011212007U | CVHN-V-T-12/12-0,75 | 0,75 | E14 | 2.445,54 |
| G001212011U | CVHN-H-T-12/12-1,1 | G011212011U | CVHN-V-T-12/12-1,1 | 1,1 | E14 | 2.475,00 |
| G001212015U | CVHN-H-T-12/12-1,5 | G011212015U | CVHN-V-T-12/12-1,5 | 1,5 | E14 | 2.503,74 |
| G001212022U | CVHN-H-T-12/12-2,2 | G011212022U | CVHN-V-T-12/12-2,2 | 2,2 | E14 | 2.620,30 |
| G001212030U | CVHN-H-T-12/12-3 | G011212030U | CVHN-V-T-12/12-3 | 3 | E14 | 2.646,55 |
| G001515007U | CVHN-H-T-15/15-0,75 | G011515007U | CVHN-V-T-15/15-0,75 | 0,75 | E14 | 2.940,56 |
| G001515011U | CVHN-H-T-15/15-1,1 | G011515011U | CVHN-V-T-15/15-1,1 | 1,1 | E14 | 2.969,66 |
| G001515015U | CVHN-H-T-15/15-1,5 | G011515015U | CVHN-V-T-15/15-1,5 | 1,5 | E14 | 2.998,75 |
| G001515022U | CVHN-H-T-15/15-2,2 | G011515022U | CVHN-V-T-15/15-2,2 | 2,2 | E14 | 3.115,10 |
| G001515030U | CVHN-H-T-15/15-3 | G011515030U | CVHN-V-T-15/15-3 | 3 | E14 | 3.144,20 |
| G001515040U | CVHN-H-T-15/15-4 | G011515040U | CVHN-V-T-15/15-4 | 4 | E14 | 3.406,26 |
| G001818007U | CVHN-H-T-18/18-0,75 | G011818007U | CVHN-V-T-18/18-0,75 | 0,75 | E14 | 3.228,45 |
| G001818011U | CVHN-H-T-18/18-1,1 | G011818011U | CVHN-V-T-18/18-1,1 | 1,1 | E14 | 3.289,88 |
| G001818015U | CVHN-H-T-18/18-1,5 | G011818015U | CVHN-V-T-18/18-1,5 | 1,5 | E14 | 3.319,01 |
| G001818022U | CVHN-H-T-18/18-2,2 | G011818022U | CVHN-V-T-18/18-2,2 | 2,2 | E14 | 3.406,26 |
| G001818030U | CVHN-H-T-18/18-3 | G011818030U | CVHN-V-T-18/18-3 | 3 | E14 | 3.493,63 |
| G001818040U | CVHN-H-T-18/18-4 | G011818040U | CVHN-V-T-18/18-4 | 4 | E14 | 3.697,39 |
| G001818055U | CVHN-H-T-18/18-5,5 | G011818055U | CVHN-V-T-18/18-5,5 | 5,5 | E14 | 3.988,54 |
| G001818075U | CVHN-H-T-18/18-7,5 | G011818075U | CVHN-V-T-18/18-7,5 | 7,5 | E14 | 4.148,09 |

Serie CVST



Cajas de ventilación a transmisión, de simple oído, desenfumage, capacitadas para trasegar aire a 400°C/2h, fabricadas en chapa de acero galvanizado, aislamiento acústico de espuma de melanina (M1), ventilador centrífugo de simple aspiración con rodete de álabes hacia adelante equilibrado dinámicamente, montado sobre silent-blocks y junta flexible a la descarga, accionado a transmisión con motor trifásico, IP55, Clase F.

Motores

Pueden equipar motores de 0,25 a 22 kW. Montados sobre voluta, hasta 2,2 kW. El resto, sobre bancada. Tensión de alimentación Trifásicos 230/400V-50Hz hasta 3 kW 400V-50Hz, para potencias superiores (Ver cuadro de características). Motores monofásicos, hasta 2,2 kW (modelos CVSB), bajo demanda. Modelos trifásicos, regulables por variación de tensión. De 2 velocidades (4/6 y 4/8 polos), bajo demanda.

Otros datos

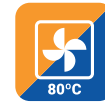
Modelos de descarga horizontal (versiones H) y modelos de descarga vertical (versiones V). Suministro estándar con transmisión a la izquierda visto desde la boca de impulsión (versiones CW) Transmisión a la derecha (versiones CCW), bajo demanda.



Aplicaciones específicas



Homologados según norma EN12101-3. Certificación nº 0370-CPD-0966



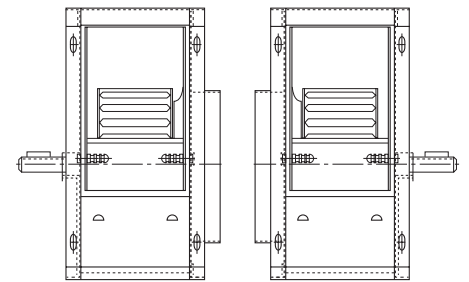
Continuo



Parkings



Cocinas industriales



(CW) Sentido horario

(CCW) Sentido antihorario

Es imprescindible comprobar que las características eléctricas (voltaje, intensidad, frecuencia, etc) del motor que aparecen en la placa del mismo son compatibles con las de la instalación.

| Código Descarga Horizontal | Modelos Descarga Horizontal | Código Descarga Vertical | Modelos Descarga Vertical | Potencia útil motor (kW) | Grupo producto | Precio €/u. |
|----------------------------|-----------------------------|--------------------------|---------------------------|--------------------------|----------------|-------------|
| G300904002U | CVST-H-9/4-0,25 | G310904002U | CVST-V-9/4-0,25 | 0,25 | E01 | 1.475,46 |
| G300904003U | CVST-H-9/4-0,37 | G310904003U | CVST-V-9/4-0,37 | 0,37 | E01 | 1.501,02 |
| G300904005U | CVST-H-9/4-0,55 | G310904005U | CVST-V-9/4-0,55 | 0,55 | E01 | 1.505,34 |
| G300904007U | CVST-H-9/4-0,75 | G310904007U | CVST-V-9/4-0,75 | 0,75 | E01 | 1.515,97 |
| G300904011U | CVST-H-9/4-1,1 | G310904011U | CVST-V-9/4-1,1 | 1,1 | E01 | 1.591,72 |
| G300904015U | CVST-H-9/4-1,5 | G310904015U | CVST-V-9/4-1,5 | 1,5 | E01 | 1.696,61 |
| G300904022U | CVST-H-9/4-2,2 | G310904022U | CVST-V-9/4-2,2 | 2,2 | E01 | 1.818,69 |
| | | | | | | |
| G301006003U | CVST-H-10/6-0,37 | G311006003U | CVST-V-10/6-0,37 | 0,37 | E01 | 1.571,68 |
| G301006005U | CVST-H-10/6-0,55 | G311006005U | CVST-V-10/6-0,55 | 0,55 | E01 | 1.580,14 |
| G301006007U | CVST-H-10/6-0,75 | G311006007U | CVST-V-10/6-0,75 | 0,75 | E01 | 1.584,46 |
| G301006011U | CVST-H-10/6-1,1 | G311006011U | CVST-V-10/6-1,1 | 1,1 | E01 | 1.661,61 |
| G301006015U | CVST-H-10/6-1,5 | G311006015U | CVST-V-10/6-1,5 | 1,5 | E01 | 1.766,41 |
| G301006022U | CVST-H-10/6-2,2 | G311006022U | CVST-V-10/6-2,2 | 2,2 | E01 | 1.888,49 |
| | | | | | | |
| G301206005U | CVST-H-12/6-0,55 | G311206005U | CVST-V-12/6-0,55 | 0,55 | E01 | 1.689,50 |
| G301206007U | CVST-H-12/6-0,75 | G311206007U | CVST-V-12/6-0,75 | 0,75 | E01 | 1.717,24 |
| G301206011U | CVST-H-12/6-1,1 | G311206011U | CVST-V-12/6-1,1 | 1,1 | E01 | 1.800,81 |
| G301206015U | CVST-H-12/6-1,5 | G311206015U | CVST-V-12/6-1,5 | 1,5 | E01 | 1.905,71 |
| G301206022U | CVST-H-12/6-2,2 | G311206022U | CVST-V-12/6-2,2 | 2,2 | E01 | 2.027,75 |
| G301206030U | CVST-H-12/6-3 | G311206030U | CVST-V-12/6-3 | 3 | E01 | 2.167,01 |
| | | | | | | |
| G301508005U | CVST-H-15/8-0,55 | G311508005U | CVST-V-15/8-0,55 | 0,55 | E01 | 1.865,04 |
| G301508007U | CVST-H-15/8-0,75 | G311508007U | CVST-V-15/8-0,75 | 0,75 | E01 | 1.892,89 |
| G301508011U | CVST-H-15/8-1,1 | G311508011U | CVST-V-15/8-1,1 | 1,1 | E01 | 1.976,38 |
| G301508015U | CVST-H-15/8-1,5 | G311508015U | CVST-V-15/8-1,5 | 1,5 | E01 | 2.062,13 |
| G301508022U | CVST-H-15/8-2,2 | G311508022U | CVST-V-15/8-2,2 | 2,2 | E01 | 2.196,84 |
| G301508030U | CVST-H-15/8-3 | G311508030U | CVST-V-15/8-3 | 3 | E01 | 2.336,06 |
| | | | | | | |
| G301808011U | CVST-H-18/8-1,1 | G311808011U | CVST-V-18/8-1,1 | 1,1 | E01 | 2.318,91 |
| G301808015U | CVST-H-18/8-1,5 | G311808015U | CVST-V-18/8-1,5 | 1,5 | E01 | 2.376,75 |
| G301808022U | CVST-H-18/8-2,2 | G311808022U | CVST-V-18/8-2,2 | 2,2 | E01 | 2.483,75 |
| G301808030U | CVST-H-18/8-3 | G311808030U | CVST-V-18/8-3 | 3 | E01 | 2.627,20 |
| G301808040U | CVST-H-18/8-4 | G311808040U | CVST-V-18/8-4 | 4 | E01 | 2.822,01 |
| G301808055U | CVST-H-18/8-5,5 | G311808055U | CVST-V-18/8-5,5 | 5,5 | E01 | 3.089,84 |
| G301808075U | CVST-H-18/8-7,5 | G311808075U | CVST-V-18/8-7,5 | 7,5 | E01 | 3.436,62 |

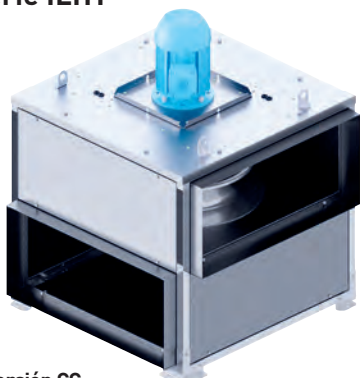
| Código Descarga Horizontal | Modelos Descarga Horizontal | Código Descarga Vertical | Modelos Descarga Vertical | Potencia útil motor (kW) | Grupo producto | Precio €/u. |
|----------------------------|-----------------------------|--------------------------|---------------------------|--------------------------|----------------|-------------|
| G302010022U | CVST-H-20/10-2,2 | G312010022U | CVST-V-20/10-2,2 | 2,2 | E01 | 4.316,58 |
| G302010030U | CVST-H-20/10-3 | G312010030U | CVST-V-20/10-3 | 3 | E01 | 4.444,98 |
| G302010040U | CVST-H-20/10-4 | G312010040U | CVST-V-20/10-4 | 4 | E01 | 4.629,10 |
| G302010055U | CVST-H-20/10-5,5 | G312010055U | CVST-V-20/10-5,5 | 5,5 | E01 | 4.896,94 |
| G302010075U | CVST-H-20/10-7,5 | G312010075U | CVST-V-20/10-7,5 | 7,5 | E01 | 5.243,72 |
| G302010092U | CVST-H-20/10-9,2 | G312010092U | CVST-V-20/10-9,2 | 9,2 | E01 | 5.848,08 |
| G302010110U | CVST-H-20/10-11 | G312010110U | CVST-V-20/10-11 | 11 | E01 | 6.498,50 |
| G302211022U | CVST-H-22/11-2,2 | G312211022U | CVST-V-22/11-2,2 | 2,2 | E01 | 4.656,98 |
| G302211030U | CVST-H-22/11-3 | G312211030U | CVST-V-22/11-3 | 3 | E01 | 4.785,62 |
| G302211040U | CVST-H-22/11-4 | G312211040U | CVST-V-22/11-4 | 4 | E01 | 4.911,90 |
| G302211055U | CVST-H-22/11-5,5 | G312211055U | CVST-V-22/11-5,5 | 5,5 | E01 | 5.166,74 |
| G302211075U | CVST-H-22/11-7,5 | G312211075U | CVST-V-22/11-7,5 | 7,5 | E01 | 5.524,11 |
| G302211092U | CVST-H-22/11-9,2 | G312211092U | CVST-V-22/11-9,2 | 9,2 | E01 | 6.104,10 |
| G302211110U | CVST-H-22/11-11 | G312211110U | CVST-V-22/11-11 | 11 | E01 | 6.778,84 |
| G302211150U | CVST-H-22/11-15 | G312211150U | CVST-V-22/11-15 | 15 | E01 | 7.573,28 |
| G302211185U | CVST-H-22/11-18,5 | G312211185U | CVST-V-22/11-18,5 | 18,5 | E01 | 8.408,33 |
| G302513030U | CVST-H-25/13-3 | G312513030U | CVST-V-25/13-3 | 3 | E01 | 5.344,24 |
| G302513040U | CVST-H-25/13-4 | G312513040U | CVST-V-25/13-4 | 4 | E01 | 5.470,69 |
| G302513055U | CVST-H-25/13-5,5 | G312513055U | CVST-V-25/13-5,5 | 5,5 | E01 | 5.749,10 |
| G302513075U | CVST-H-25/13-7,5 | G312513075U | CVST-V-25/13-7,5 | 7,5 | E01 | 5.995,29 |
| G302513092U | CVST-H-25/13-9,2 | G312513092U | CVST-V-25/13-9,2 | 9,2 | E01 | 6.657,51 |
| G302513110U | CVST-H-25/13-11 | G312513110U | CVST-V-25/13-11 | 11 | E01 | 7.600,97 |
| G302513150U | CVST-H-25/13-15 | G312513150U | CVST-V-25/13-15 | 15 | E01 | 8.395,37 |
| G302513185U | CVST-H-25/13-18,5 | G312513185U | CVST-V-25/13-18,5 | 18,5 | E01 | 9.230,44 |
| G302513220U | CVST-H-25/13-22 | G312513220U | CVST-V-25/13-22 | 22 | E01 | 10.136,54 |
| G303014040U | CVST-H-30/14-4 | G313014040U | CVST-V-30/14-4 | 4 | E01 | 6.299,25 |
| G303014055U | CVST-H-30/14-5,5 | G313014055U | CVST-V-30/14-5,5 | 5,5 | E01 | 6.577,60 |
| G303014075U | CVST-H-30/14-7,5 | G313014075U | CVST-V-30/14-7,5 | 7,5 | E01 | 6.960,89 |
| G303014092U | CVST-H-30/14-9,2 | G313014092U | CVST-V-30/14-9,2 | 9,2 | E01 | 7.571,76 |
| G303014110U | CVST-H-30/14-11 | G313014110U | CVST-V-30/14-11 | 11 | E01 | 8.401,85 |
| G303014150U | CVST-H-30/14-15 | G313014150U | CVST-V-30/14-15 | 15 | E01 | 9.196,25 |
| G303014185U | CVST-H-30/14-18,5 | G313014185U | CVST-V-30/14-18,5 | 18,5 | E01 | 10.031,27 |
| G303014220U | CVST-H-30/14-22 | G313014220U | CVST-V-30/14-22 | 22 | E01 | 10.937,40 |

* Versiones no homologadas para trasegar aire a 400°C/2h.

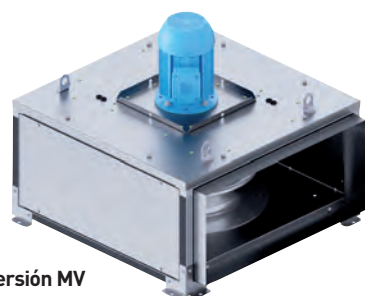
ACCESORIOS DE MONTAJE ESPECÍFICOS

| Código | Modelo Tapa Intemperie CTI | Modelo caja | Grupo producto | Precio €/u. | Código | Modelo Visera Descarga CVD-IMP | Modelo caja | Grupo producto | Precio €/u. |
|------------|----------------------------|-------------|----------------|-------------|------------|--------------------------------|-------------|----------------|-------------|
| 5416733400 | CTI-9/4 | CVST-9/4 | E01 | 57,51 | 5137130100 | CVD-9/4 IMP | CVST-9/4 | E01 | 68,52 |
| 5416733500 | CTI-10/6 | CVST-10/6 | E01 | 65,74 | 5137130200 | CVD-10/6 IMP | CVST-10/6 | E01 | 80,01 |
| 5137930300 | CTI-12/6 | CVST-12/6 | E01 | 75,91 | 5137130300 | CVD-12/6 IMP | CVST-12/6 | E01 | 84,40 |
| 5137929500 | CTI-15/8 | CVST-15/8 | E01 | 87,62 | 5137130400 | CVD-15/8 IMP | CVST-15/8 | E01 | 95,34 |
| 5137928700 | CTI-18/8 | CVST-18/8 | E01 | 110,00 | 5137130500 | CVD-18/8 IMP | CVST-18/8 | E01 | 106,45 |
| 5416733100 | CTI-20/10 | CVST-20/10 | E01 | 133,42 | 5137130600 | CVD-20/10 IMP | CVST-20/10 | E01 | 120,76 |
| 5416733200 | CTI-22/11 | CVST-22/11 | E01 | 179,75 | 5137130700 | CVD-22/11 IMP | CVST-22/11 | E01 | 127,70 |
| 5416733600 | CTI-25/13 | CVST-25/13 | E01 | 206,18 | 5137130800 | CVD-25/13 IMP | CVST-25/13 | E01 | 141,97 |
| 5416733300 | CTI-30/14 | CVST-30/14 | E01 | 238,93 | 5137130900 | CVD-30/14 IMP | CVST-30/14 | E01 | 169,65 |

Serie ILHT



Versión CC



Versión MV

Cajas de ventilación in-line para conducto rectangular, desenfumage, capacitadas para trasegar aire a 400°C/2h y a 120°C en continuo.

Diseñadas especialmente para la extracción de humo y gas caliente en caso de incendio, aire contaminado en locales industriales, y la extracción de humos y grasas en cocinas profesionales.

Pueden ser instaladas en todas las posiciones y conectadas por todas las caras.

Gama

ILHT CC: Ventilador con plénium de entrada multidireccional y motor con eje vertical u horizontal.
ILHT MV: Ventilador y motor con eje vertical u horizontal.

Construcción

- Paneles de chapa de acero galvanizado.
- Estructura modular con perfiles de aluminio.
- 4 soportes de montaje.
- Acoplamientos para conductos rectangulares.
- Ventilador centrífugo de álabes hacia atrás, fabricado en chapa de acero galvanizada.
- Fácil acceso, para limpieza y mantenimiento, sin necesidad de desmontar los conductos.



Motores

De 4 ó 6 polos.
IP55, Clase F.
Motores trifásicos 230/400V-50Hz, regulables por convertidor de frecuencia.
Temperatura de trabajo hasta +40°C.

Otros datos

Bajo pedido, Modeloos para aplicaciones de cocina con sellado reforzado resistente a la grasa y drenaje de condensación, no montado.
Bajo pedido, motores de dos velocidades.

Aplicaciones específicas



Homologación según norma EN12101-3



Continuo



Parkings



Cocinas Industriales

Es imprescindible comprobar que las características eléctricas (voltaje, intensidad, frecuencia, etc) del motor que aparecen en la placa del mismo son compatibles con las de la instalación.

| Código | Modelo | Velocidad (r.p.m.) | Potencia motor (W) | Intensidad nominal (A) | | Caudal máximo (m³/h) | Nivel de presión sonora* (dB(A)) | | | Peso (kg) | Convertidor de frecuencia opcional | | | | Grupo producto | Precio €/u. |
|--------------------|---------------|--------------------|--------------------|------------------------|------|----------------------|----------------------------------|---------|----------|-----------|------------------------------------|-----|------|------|----------------|-------------|
| | | | | 230V | 400V | | Aspiración | Radiado | Descarga | | VFKB | | VFTM | | | |
| | | | | | | | | | | | MONO | TRI | MONO | TRI | | |
| TRIFÁSICOS 4 POLOS | | | | | | | | | | | | | | | | |
| 5133739000 | ILHT/4-355 CC | 1410 | 0,25 | 1,4 | 0,8 | 3.370 | 57 | 50 | 63 | 59 | 24 | 45 | 0,37 | 0,37 | E01 | 2.298,20 |
| 5133739100 | ILHT/4-400 CC | 1430 | 0,55 | 2,5 | 1,4 | 5.340 | 61 | 53 | 67 | 72 | 24 | 45 | 0,37 | 0,55 | E01 | 2.525,78 |
| 5133739200 | ILHT/4-450 CC | 1460 | 1,1 | 4,1 | 2,3 | 7.860 | 66 | 59 | 72 | 92 | 24 | 45 | 0,75 | 1,1 | E01 | 3.124,40 |
| 5133739300 | ILHT/4-500 CC | 1450 | 1,5 | 5,5 | 3,2 | 9.630 | 67 | 59 | 75 | 114 | 27 | 45 | 1,1 | 1,5 | E01 | 3.484,43 |
| 5133739400 | ILHT/4-560 CC | 1440 | 2,2 | 7,9 | 4,6 | 12.470 | 69 | 58 | 72 | 159 | 27 | 48 | 2,2 | 2,2 | E01 | 3.994,93 |
| TRIFÁSICOS 6 POLOS | | | | | | | | | | | | | | | | |
| 5133739500 | ILHT/6-355 CC | 900 | 0,18 | 1,3 | 0,7 | 2.110 | 48 | 41 | 54 | 59 | 24 | 45 | 0,18 | 0,37 | E01 | 2.183,29 |
| 5133739600 | ILHT/6-400 CC | 930 | 0,37 | 2,0 | 1,1 | 3.410 | 52 | 44 | 58 | 72 | 24 | 45 | 0,37 | 0,37 | E01 | 2.399,47 |
| 5133739700 | ILHT/6-450 CC | 930 | 0,37 | 2,0 | 1,1 | 4.940 | 57 | 50 | 63 | 92 | 24 | 45 | 0,37 | 0,37 | E01 | 2.968,17 |
| 5133739800 | ILHT/6-500 CC | 930 | 0,55 | 2,8 | 1,6 | 6.090 | 59 | 50 | 66 | 114 | 24 | 45 | 0,37 | 0,55 | E01 | 3.310,19 |
| 5133739900 | ILHT/6-560 CC | 930 | 0,75 | 3,4 | 1,9 | 7.960 | 60 | 49 | 63 | 159 | 24 | 45 | 0,55 | 0,75 | E01 | 3.795,18 |
| 5133740000 | ILHT/6-630 CC | 930 | 1,1 | 4,7 | 2,7 | 11.800 | 64 | 54 | 68 | 162 | 27 | 45 | 1,1 | 1,1 | E01 | 4.351,49 |
| 5133740100 | ILHT/6-710 CC | 980 | 3 | 12,0 | 6,9 | 18.910 | 68 | 61 | 74 | 264 | - | 48 | - | 4 | E01 | 5.933,35 |
| 5133740200 | ILHT/6-800 CC | 970 | 4 | 15,6 | 9,0 | 25.660 | 70 | 61 | 72 | 307 | - | - | - | 5,5 | E01 | 7.052,59 |

* Nivel de presión sonora, medido en campo libre, a 1,5 metros de distancia.

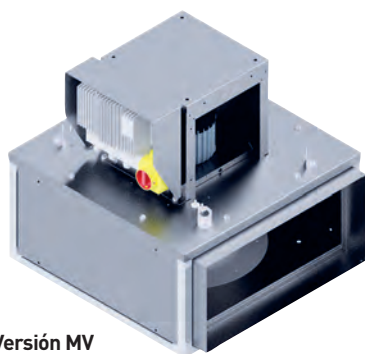
| Código | Modelo | Velocidad (r.p.m.) | Potencia motor (W) | Intensidad nominal (A) | | Caudal máximo (m³/h) | Nivel de presión sonora* (dB(A)) | | | Peso (kg) | Convertidor de frecuencia opcional | | | | Grupo producto | Precio €/u. |
|--------------------|---------------|--------------------|--------------------|------------------------|------|----------------------|----------------------------------|---------|----------|-----------|------------------------------------|-----|------|------|----------------|-------------|
| | | | | 230V | 400V | | Aspiración | Radiado | Descarga | | VFKB | | VFTM | | | |
| | | | | | | | | | | | MONO | TRI | MONO | TRI | | |
| TRIFÁSICOS 4 POLOS | | | | | | | | | | | | | | | | |
| 5133740900 | ILHT/4-355 MV | 1410 | 0,25 | 1,4 | 0,8 | 3.550 | 57 | 46 | 59 | 39 | 24 | 45 | 0,37 | 0,37 | E01 | 1.979,12 |
| 5133741000 | ILHT/4-400 MV | 1430 | 0,55 | 2,5 | 1,4 | 5.650 | 62 | 50 | 63 | 49 | 24 | 45 | 0,37 | 0,55 | E01 | 2.136,85 |
| 5133742000 | ILHT/4-450 MV | 1450 | 1,1 | 4,1 | 2,3 | 8.320 | 66 | 55 | 67 | 67 | 24 | 45 | 0,75 | 1,1 | E01 | 2.471,37 |
| 5133743000 | ILHT/4-500 MV | 1450 | 1,5 | 5,5 | 3,2 | 10.140 | 68 | 58 | 70 | 88 | 27 | 45 | 1,1 | 1,5 | E01 | 3.104,07 |
| 5133744000 | ILHT/4-560 MV | 1450 | 2,2 | 7,9 | 4,6 | 12.900 | 69 | 58 | 72 | 111 | 27 | 48 | 2,2 | 2,2 | E01 | 3.490,07 |
| TRIFÁSICOS 6 POLOS | | | | | | | | | | | | | | | | |
| 5133745000 | ILHT/6-355 MV | 900 | 0,18 | 1,3 | 0,7 | 2.220 | 48 | 37 | 50 | 39 | 24 | 45 | 0,18 | 0,37 | E01 | 1.880,15 |
| 5133746000 | ILHT/6-400 MV | 930 | 0,37 | 2,0 | 1,1 | 3.600 | 53 | 41 | 54 | 49 | 24 | 45 | 0,37 | 0,37 | E01 | 2.030,02 |
| 5133747000 | ILHT/6-450 MV | 930 | 0,37 | 2,0 | 1,1 | 5.240 | 57 | 46 | 59 | 67 | 24 | 45 | 0,37 | 0,37 | E01 | 2.347,81 |
| 5133748000 | ILHT/6-500 MV | 930 | 0,55 | 2,8 | 1,6 | 6.430 | 59 | 49 | 61 | 88 | 24 | 45 | 0,37 | 0,55 | E01 | 2.948,88 |
| 5133749000 | ILHT/6-560 MV | 940 | 0,75 | 3,4 | 1,9 | 8.300 | 60 | 49 | 63 | 111 | 24 | 45 | 0,55 | 0,75 | E01 | 3.315,57 |
| 5133750000 | ILHT/6-630 MV | 940 | 1,1 | 4,7 | 2,7 | 12.260 | 64 | 56 | 65 | 118 | 27 | 45 | 1,1 | 1,1 | E01 | 3.786,00 |
| 5133751000 | ILHT/6-710 MV | 980 | 3 | 12,0 | 6,9 | 19.690 | 68 | 63 | 72 | 144 | - | 48 | - | 4 | E01 | 5.327,01 |
| 5133752000 | ILHT/6-800 MV | 970 | 4 | 15,6 | 9,0 | 24.820 | 70 | 65 | 72 | 224 | - | - | - | 5,5 | E01 | 6.481,35 |

* Nivel de presión sonora, medido en campo libre, a 1,5 metros de distancia.

Serie ILHB-ILHT ECOWATT



Versión CC



Versión MV

Ventiladores diseñados para aplicaciones de desenfumage, capacitados para trasegar aire a 400°C/2h o hasta 120°C en continuo. Extracción de humo en caso de incendio, ventilación de espacios comerciales o industriales, y extracción de gases en cocinas profesionales.

Gama

6 modelos: 355, 400, 450, 500, 630 y 710. Caudal de aire entre 500 y 24.000 m³/h.

ILHB/T CC ECOWATT: Ventilador con plenum de aspiración multidireccional y motor en posición horizontal o vertical.

ILHB/T MV ECOWATT: Ventilador con aspiración y descarga directa, motor en posición horizontal o vertical.

Versiones:

- VAV: Caudal de aire variable
- COP: Presión constante
- CAV DISPLAY: Caudal constante de aire con display

Construcción

- Paneles realizados en chapa de acero galvanizada.
- Estructura modular con perfiles de aluminio.
- 4 soportes de izado.
- Acoplamientos rectangulares.
- Rodete centrífugo de álabes hacia atrás de accionamiento directo fabricado con chapa de acero galvanizada.
- Acceso completo para mantenimiento sin necesidad de desmontar conductos de ventilación.
- Motor Brushless, clase F, aptos para temperaturas ambientales de -20/40°C y módulo de control IP55.

- Módulo de control externo instalado y cableado:
 - Monofásico 230V 50/60Hz para modelos 355, 400 y 450.
 - Trifásico 400V 50/60Hz para modelos 500, 630 y 710.
- Protecciones térmicas incorporadas.
- Relé alarma integrado.
- Velocidad/Consigna ajustable mediante potenciómetro interior o mediante control externo mediante REB-ECOWATT (accesorio). Entrada analógica de control 0-10V.
- Modbus –RTU mediante puerto RS485.
- Interruptor ON/OFF.

Bajo demanda

- Versión especial cocinas industriales:
 - Aislamientos reforzados resistentes a la grasa.
 - Drenaje de condensados (no instalado).
- DISPLAY: Pantalla de visualización de velocidad/consigna en versión es VAV y COP.
- Versión dos velocidades (no cumple ErP).

Modo trabajo emergencia

La serie ILHB/ILHT está certificada para trasegar humo y gases en caso de incendio. El funcionamiento en este modo es automático y no requiere de ninguna programación. En el caso de que el aire trasegado supere los 200°C, el ventilador pasará automáticamente a máxima velocidad y deshabilitará las protecciones térmicas. El modo de emergencia también podrá activarse automáticamente mediante el pulsador BDRA (accesorio). En caso de emergencia, los modos de funcionamiento VAV, CAV o COP quedan desactivados.

Aplicaciones específicas



Homologación según norma EN12101-3

Continuo

Parkings

Cocinas Industriales

Es imprescindible comprobar que las características eléctricas (voltaje, intensidad, frecuencia, etc) del motor que aparecen en la placa del mismo son compatibles con las de la instalación.

| Modelo | Velocidad (r.p.m.) | Potencia motor (W) | Intensidad nominal (A) 230V | Caudal máximo (m³/h) | Nivel de presión sonora (dB(A)) | | | Peso (kg) |
|---------------------|--------------------|--------------------|-----------------------------|----------------------|---------------------------------|---------|----------|-----------|
| | | | | | Aspiración | Radiado | Descarga | |
| MONOFÁSICOS | | | | | | | | |
| ILHB-355 CC ECOWATT | 1420 | 0,70 | 3,1 | 3.980 | 63 | 55 | 68 | 65 |
| ILHB-400 CC ECOWATT | 1500 | 0,72 | 3,1 | 5.060 | 61 | 53 | 67 | 78 |
| ILHB-450 CC ECOWATT | 1500 | 1,24 | 5,4 | 7.300 | 66 | 59 | 72 | 98 |
| TRIFÁSICOS | | | | | | | | |
| ILHT-500 CC ECOWATT | 1500 | 1,70 | 3,5 | 9.140 | 67 | 59 | 75 | 120 |
| ILHT-630 CC ECOWATT | 1130 | 3,16 | 7,0 | 11.820 | 68 | 58 | 72 | 177 |
| ILHT-710 CC ECOWATT | 1250 | 5,91 | 12,4 | 24.120 | 73 | 66 | 79 | 279 |

| Modelo | Velocidad (r.p.m.) | Potencia motor (W) | Intensidad nominal (A) 230V | Caudal máximo (m³/h) | Nivel de presión sonora (dB(A)) | | | Peso (kg) |
|---------------------|--------------------|--------------------|-----------------------------|----------------------|---------------------------------|---------|----------|-----------|
| | | | | | Aspiración | Radiado | Descarga | |
| MONOFÁSICOS | | | | | | | | |
| ILHB-355 MV ECOWATT | 1830 | 0,70 | 3,1 | 4.230 | 62 | 51 | 64 | 44 |
| ILHB-400 MV ECOWATT | 1500 | 0,72 | 3,1 | 5.390 | 62 | 50 | 63 | 55 |
| ILHB-450 MV ECOWATT | 1500 | 1,24 | 5,4 | 7.870 | 66 | 55 | 67 | 72 |
| TRIFÁSICOS | | | | | | | | |
| ILHT-500 MV ECOWATT | 1500 | 1,70 | 3,5 | 9.790 | 68 | 58 | 70 | 94 |
| ILHT-630 MV ECOWATT | 1130 | 3,16 | 7,0 | 13.060 | 68 | 59 | 69 | 132 |
| ILHT-710 MV ECOWATT | 1250 | 5,91 | 12,4 | 25.150 | 73 | 68 | 77 | 158 |


Construcción CC



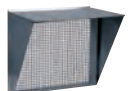

| Código | Modelo | Grupo producto | Precio €/u. |
|-------------|---------------------------------|----------------|------------------|
| MONOFÁSICOS | | | |
| 5133859500 | ILHB-355 CC ECOWATT CAV DISPLAY | E01 | 5.457,72 |
| 5133859600 | ILHB-355 CC ECOWATT COP | E01 | 4.629,51 |
| 5133859700 | ILHB-355 CC ECOWATT VAV | E01 | 4.417,44 |
| 5133859800 | ILHB-400 CC ECOWATT CAV DISPLAY | E01 | 5.769,81 |
| 5133859900 | ILHB-400 CC ECOWATT COP | E01 | 4.941,60 |
| 5133860000 | ILHB-400 CC ECOWATT VAV | E01 | 4.729,53 |
| 5133860100 | ILHB-450 CC ECOWATT CAV DISPLAY | E01 | 6.243,21 |
| 5133860200 | ILHB-450 CC ECOWATT COP | E01 | 5.414,97 |
| 5133860300 | ILHB-450 CC ECOWATT VAV | E01 | 5.202,98 |
| TRIFÁSICOS | | | |
| 5133860400 | ILHT-500 CC ECOWATT CAV DISPLAY | E01 | 7.501,90 |
| 5133860500 | ILHT-500 CC ECOWATT COP | E01 | 6.673,68 |
| 5133860600 | ILHT-500 CC ECOWATT VAV | E01 | 6.461,68 |
| 5133860700 | ILHT-630 CC ECOWATT CAV DISPLAY | E01 | 8.939,00 |
| 5133860800 | ILHT-630 CC ECOWATT COP | E01 | 8.110,78 |
| 5133860900 | ILHT-630 CC ECOWATT VAV | E01 | 7.898,72 |
| 5133861000 | ILHT-710 CC ECOWATT CAV DISPLAY | E01 | 10.902,86 |
| 5133861100 | ILHT-710 CC ECOWATT COP | E01 | 10.083,00 |
| 5133861200 | ILHT-710 CC ECOWATT VAV | E01 | 9.862,62 |

Construcción MV

| Código | Modelo | Grupo producto | Precio €/u. |
|-------------|---------------------------------|----------------|------------------|
| MONOFÁSICOS | | | |
| 5133861300 | ILHB-355 MV ECOWATT CAV DISPLAY | E01 | 5.021,11 |
| 5133861400 | ILHB-355 MV ECOWATT COP | E01 | 4.546,26 |
| 5133861500 | ILHB-355 MV ECOWATT VAV | E01 | 4.100,39 |
| 5133861600 | ILHB-400 MV ECOWATT CAV DISPLAY | E01 | 5.743,74 |
| 5133861700 | ILHB-400 MV ECOWATT COP | E01 | 4.259,15 |
| 5133861800 | ILHB-400 MV ECOWATT VAV | E01 | 4.384,84 |
| 5133861900 | ILHB-450 MV ECOWATT CAV DISPLAY | E01 | 5.308,24 |
| 5133862000 | ILHB-450 MV ECOWATT COP | E01 | 5.019,58 |
| 5133862100 | ILHB-450 MV ECOWATT VAV | E01 | 4.807,57 |
| TRIFÁSICOS | | | |
| 5133862200 | ILHT-500 MV ECOWATT CAV DISPLAY | E01 | 7.052,88 |
| 5133862300 | ILHT-500 MV ECOWATT COP | E01 | 6.224,58 |
| 5133862400 | ILHT-500 MV ECOWATT VAV | E01 | 6.012,60 |
| 5133862500 | ILHT-630 MV ECOWATT CAV DISPLAY | E01 | 8.387,59 |
| 5133862600 | ILHT-630 MV ECOWATT COP | E01 | 7.559,30 |
| 5133862700 | ILHT-630 MV ECOWATT VAV | E01 | 7.347,30 |
| 5133862800 | ILHT-710 MV ECOWATT CAV DISPLAY | E01 | 10.314,07 |
| 5133862900 | ILHT-710 MV ECOWATT COP | E01 | 9.494,19 |
| 5133863000 | ILHT-710 MV ECOWATT VAV | E01 | 9.273,84 |

ACCESORIOS ESPECÍFICOS ILHB/ILHT y ILHB/ILHT ECOWATT

| | Código | Modelo | Grupo producto | Precio €/u. |
|---|--|------------------|----------------|---------------|
|  <p>ILSH Soportes estándar.</p> | Soporte estándar | | | |
| | 5133752100 | ILSH-355 CC | E01 | 99,47 |
| | 5133752900 | ILSH-355 MV | E01 | 86,54 |
| | 5133752200 | ILSH-400 CC | E01 | 114,62 |
| | 5133753000 | ILSH-400 MV | E01 | 99,70 |
| | 5133752300 | ILSH-450 CC | E01 | 119,02 |
| | 5133753100 | ILSH-450 MV | E01 | 103,56 |
| | 5133752400 | ILSH-500 CC | E01 | 124,18 |
| | 5133753200 | ILSH-500 MV | E01 | 108,05 |
| | 5133752500 | ILSH-560 CC | E01 | 125,55 |
| | 5133753300 | ILSH-560 MV | E01 | 109,23 |
| | 5133752600 | ILSH-630 CC | E01 | 131,51 |
| | 5133753400 | ILSH-630 MV | E01 | 114,41 |
| | 5133752700 | ILSH-710 CC | E01 | 136,62 |
| | 5133753500 | ILSH-710 MV | E01 | 118,88 |
| | 5133752800 | ILSH-800 CC | E01 | 139,97 |
| 5133753600 | ILSH-800 MV | E01 | 121,79 | |
|  <p>ILTI Tapas de protección para montaje en exterior, para posicionamiento del motor en horizontal.</p> | Tapa de protección | | | |
| | 5133863100 | ILTI-355 CC | E01 | 155,96 |
| | 5133863900 | ILTI-355 MV | E01 | 132,57 |
| | 5133863200 | ILTI-400 CC | E01 | 174,57 |
| | 5133864000 | ILTI-400 MV | E01 | 148,40 |
| | 5133863300 | ILTI-450 CC | E01 | 194,68 |
| | 5133864100 | ILTI-450 MV | E01 | 165,49 |
| | 5133863400 | ILTI-500 CC | E01 | 203,43 |
| | 5133864200 | ILTI-500 MV | E01 | 172,92 |
| | 5133863500 | ILTI-560 CC | E01 | 225,44 |
| | 5133864300 | ILTI-560 MV | E01 | 191,60 |
| | 5133863600 | ILTI-630 CC | E01 | 246,76 |
| | 5133864400 | ILTI-630 MV | E01 | 209,75 |
| | 5133863700 | ILTI-710 CC | E01 | 276,49 |
| | 5133864500 | ILTI-710 MV | E01 | 235,02 |
| | 5133863800 | ILTI-800 CC | E01 | 297,47 |
| 5133864600 | ILTI-800 MV | E01 | 252,86 | |
|  <p>ILBR Bridas de acoplamiento rectangular.</p> | Brida de acoplamiento rectangular | | | |
| | 5133753700 | ILBR-355 | E01 | 94,19 |
| | 5133753800 | ILBR-400 | E01 | 97,73 |
| | 5133753900 | ILBR-450 | E01 | 101,04 |
| | 5133754000 | ILBR-500 | E01 | 103,33 |
| | 5133754100 | ILBR-560 | E01 | 107,04 |
| | 5133754200 | ILBR-630 | E01 | 112,54 |
| | 5133754300 | ILBR-710 | E01 | 119,12 |
| 5133754400 | ILBR-800 | E01 | 124,87 | |
|  <p>ILBC Bridas de conexión de conducto circular ASPIRACIÓN (versión MV).</p> | Brida de conexión de conducto circular | | | |
| | 5133755300 | ILBC-355 | E01 | 131,58 |
| | 5133755400 | ILBC-400 | E01 | 136,62 |
| | 5133755500 | ILBC-450 | E01 | 169,61 |
| | 5133755600 | ILBC-500 | E01 | 172,54 |
| | 5133755700 | ILBC-560 | E01 | 185,61 |
| | 5133755800 | ILBC-630 | E01 | 194,88 |
| | 5133755900 | ILBC-710 | E01 | 204,63 |
| 5133756000 | ILBC-800 | E01 | 214,85 | |
|  <p>ILTM Tapas motor (Incluida en versión ECOWATT).</p> | Tapa motor | | | |
| | 5133759200 | ILTM-355/400/450 | E01 | 108,58 |
| | 5133759300 | ILTM-500/560/630 | E01 | 135,21 |
| 5133759400 | ILTM-710/800 | E01 | 165,57 | |

| | Código | Modelo | Grupo producto | Precio €/u. |
|---|-----------------------------------|----------|----------------|---------------|
|  <p>ILRC Acoplamientos circulares de descarga.</p> | Acoplamiento circular de descarga | | | |
| | 5133756100 | ILRC-355 | E01 | 318,37 |
| | 5133756200 | ILRC-400 | E01 | 347,48 |
| | 5133756300 | ILRC-450 | E01 | 364,06 |
| | 5133756400 | ILRC-500 | E01 | 371,88 |
| | 5133756500 | ILRC-560 | E01 | 378,37 |
| | 5133756600 | ILRC-630 | E01 | 398,29 |
| | 5133756700 | ILRC-710 | E01 | 436,22 |
| 5133756800 | ILRC-800 | E01 | 464,71 | |
|  <p>ILAR Acoplamientos elásticos rectangulares.</p> | Acoplamiento elástico rectangular | | | |
| | 5133754500 | ILAR-355 | E01 | 124,92 |
| | 5133754600 | ILAR-400 | E01 | 133,23 |
| | 5133754700 | ILAR-450 | E01 | 140,14 |
| | 5133754800 | ILAR-500 | E01 | 147,14 |
| | 5133754900 | ILAR-560 | E01 | 154,97 |
| | 5133755000 | ILAR-630 | E01 | 171,01 |
| | 5133755100 | ILAR-710 | E01 | 180,65 |
| 5133755200 | ILAR-800 | E01 | 193,19 | |
|  <p>ILVV - ILVH Viseras de montaje.</p> | Visera de montaje | | | |
| | 5133756900 | ILVV-355 | E01 | 187,11 |
| | 5133757000 | ILVV-400 | E01 | 196,74 |
| | 5133757100 | ILVV-450 | E01 | 214,95 |
| | 5133757200 | ILVV-500 | E01 | 219,39 |
| | 5133757300 | ILVV-560 | E01 | 252,50 |
| | 5133757400 | ILVV-630 | E01 | 286,64 |
| | 5133757500 | ILVV-710 | E01 | 315,98 |
| | 5133757600 | ILVV-800 | E01 | 325,63 |
| | 5133757700 | ILVH-355 | E01 | 190,86 |
| | 5133757800 | ILVH-400 | E01 | 200,67 |
| | 5133757900 | ILVH-450 | E01 | 219,23 |
| | 5133758000 | ILVH-500 | E01 | 223,73 |
| | 5133758100 | ILVH-560 | E01 | 257,56 |
| | 5133758200 | ILVH-630 | E01 | 292,38 |
| | 5133758300 | ILVH-710 | E01 | 322,29 |
| 5133758400 | ILVH-800 | E01 | 332,15 | |
|  <p>ICAV - ICAH Persianas de sobrepresión.</p> | Persiana de sobrepresión | | | |
| | 5133034200 | ICAV-355 | E01 | 130,30 |
| | 5133034300 | ICAV-400 | E01 | 148,24 |
| | 5133034400 | ICAV-450 | E01 | 157,25 |
| | 5133034500 | ICAV-500 | E01 | 166,24 |
| | 5133034600 | ICAV-560 | E01 | 179,71 |
| | 5133034700 | ICAV-630 | E01 | 220,13 |
| | 5133035000 | ICAV-710 | E01 | 238,07 |
| | 5133035100 | ICAV-800 | E01 | 265,06 |
| | 5133035200 | ICAH-355 | E01 | 130,30 |
| | 5133035300 | ICAH-400 | E01 | 148,24 |
| | 5133035400 | ICAH-450 | E01 | 157,25 |
| | 5133035600 | ICAH-500 | E01 | 166,24 |
| | 5133035700 | ICAH-560 | E01 | 179,71 |
| | 5133035800 | ICAH-630 | E01 | 220,13 |
| | 5133035900 | ICAH-710 | E01 | 238,07 |
| 5133036000 | ICAH-800 | E01 | 265,06 | |



IJKH
Registro de
ajuste de
caudal.

| Código | Modelo | Grupo producto | Precio €/u. |
|------------------------------|----------|-------------------|----------------|
| Registro de ajuste de caudal | | | |
| 5133036100 | IJKH-355 | E01 | 232,23 |
| 5133036200 | IJKH-400 | E01 | 256,07 |
| 5133036400 | IJKH-450 | E01 | 296,49 |
| 5133036500 | IJKH-500 | E01 | 309,95 |
| 5133036600 | IJKH-560 | E01 | 336,90 |
| 5133036700 | IJKH-630 | E01 | 404,31 |
| 5133036800 | IJKH-710 | E01 | 449,20 |
| 5133036900 | IJKH-800 | E01 | 476,14 |



ILPL
Plenums doble
ASPIRACIÓN
(versión MV).

| | | | |
|--------------------------|----------|-----|-----------------|
| Plénium doble aspiración | | | |
| 5133758500 | ILPL-355 | E01 | 560,73 |
| 5133758600 | ILPL-400 | E01 | 596,43 |
| 5133758700 | ILPL-450 | E01 | 671,17 |
| 5133758800 | ILPL-500 | E01 | 776,41 |
| 5133758900 | ILPL-560 | E01 | 1.016,86 |
| 5133759000 | ILPL-630 | E01 | 1.249,92 |
| 5133759100 | ILPL-710 | E01 | 1.307,42 |



ISA-ILHT
Soportes
antivibratorios
de caucho.
Conjunto de
4 unidades.

| | | | |
|------------------------|----------------------|-----|--------------|
| Soporte antivibratorio | | | |
| 5416359700 | ISA-ILHT-355/400/450 | E01 | 52,57 |
| 5416988500 | ISA-ILHT-500/560/630 | E01 | 64,46 |
| 5416988600 | ISA-ILHT-710/800 | E01 | 91,63 |

| | | | |
|----------------------------|------|-----|--------------|
| Pulsador manual Emergencia | | | |
| 5138901600 | BDRA | E01 | 97,12 |



BDRA
Pulsador
manual para
activación modo
Emergencia.

Serie IFHT



Ventiladores centrífugos de impulso, Jet Fans, para mover grandes volúmenes de aire en aparcamientos. Capacitados para trabajar inmersos a 400°C/2h y 300°C/2h.

Descripción

Empuje: 50, 75 y 100N.
Hélice de álabes hacia atrás de acero galvanizado, equilibrada de acuerdo con la ISO 1940-1, G6.3.
Camisa de acero galvanizado, con dos soportes de sujeción.
Caja de conexiones exterior.
Defensa en aspiración.
Ventilador homologado según norma EN12101-3, para 400°C/2h y 300°C/2h.

Motores

IEC, del 80 al 90, trifásico 400V/50Hz, IP55, Clase H, 400°C/2h y 300°C/2h.
Dos velocidades 4/8 polos, conexión tipo Dahlander.
Temperatura ambiente de trabajo: -20°C a +50°C.

Bajo pedido

En sustitución de la caja de conexiones, interruptor de seguridad paro-marcha IP65, instalado en fábrica.
Pinturas externas RAL.

Aplicaciones específicas



Homologados según norma EN12101-3.
Certificación nº 0370-CPD-1250



Homologados según norma EN12101-3.
Certificación nº 0370-CPD-1085



Parkings

Es imprescindible comprobar que las características eléctricas (voltaje, intensidad, frecuencia, etc) del motor que aparecen en la placa del mismo son compatibles con las de la instalación.

| Modelo | Nº de polos | Velocidad (r.p.m.) | Empuje (N) | Caudal (m³/h) | Potencia motor (kW) | Intensidad absorbida (A) | Intensidad de arranque (A) | Nivel de presión sonora* (LpA) | Peso (kg) |
|-----------------|-------------|--------------------|------------|---------------|---------------------|--------------------------|----------------------------|--------------------------------|-----------|
| IFHT/4/8-50N-C | 4/8 | 1345/710 | 50/13 | 5.500/2.880 | 1,21/0,20 | 3,0/1,1 | 9,8/2,4 | 75/59 | 76 |
| IFHT/4/8-75N-C | 4/8 | 1420/710 | 75/19 | 8.300/4.150 | 2,3/0,37 | 5,4/1,9 | 30/7,5 | 77/61 | 120 |
| IFHT/4/8-100N-C | 4/8 | 1420/710 | 95/24 | 8.900/4.450 | 2,3/0,37 | 6,0/2,0 | 30/7,5 | 78/63 | 120 |

* Medida a 3 metros en campo libre.

| Código | Modelos | Grupo producto | Precio €/u. |
|--------------|----------------------|----------------|-----------------|
| Modelos F400 | | | |
| 5143959600 | IFHT/4/8-50N-C F400 | E01 | 3.305,46 |
| 5143921300 | IFHT/4/8-75N-C F400 | E01 | 4.193,33 |
| 5143921200 | IFHT/4/8-100N-C F400 | E01 | 4.665,60 |

| Código | Modelos | Grupo producto | Precio €/u. |
|--------------|----------------------|----------------|-----------------|
| Modelos F300 | | | |
| 5143959500 | IFHT/4/8-50N-C F300 | E01 | 2.869,84 |
| 5143919800 | IFHT/4/8-75N-C F300 | E01 | 3.560,68 |
| 5143919600 | IFHT/4/8-100N-C F300 | E01 | 4.021,96 |

Serie CHMT



Ventiladores centrífugos de simple aspiración, desenfumage, capacitados para trabajar inmersos en ambientes 400°C/2h, fabricados en chapa de acero protegida con pintura epoxi-poliéster anticorrosiva, rodete de acero galvanizado de álabes hacia adelante equilibrado dinámicamente, motor trifásico, IP55, Clase H, para usos en funcionamiento continuo (S1) o para casos de emergencia (S2).

Motores
Clase IE3 para potencias de 0,75 kW o superiores. De 4 ó 6 polos, según versiones. Modelos de 2 velocidades, bajo demanda. Tensión de alimentación. Trifásicos 230/400V-50Hz, hasta 3 kW 400V-50Hz, para potencias superiores. (Ver cuadro de características).

Otros datos
Los motores pueden situarse a derecha o izquierda. Voluta orientable, en ambos casos, para ofrecer 16 combinaciones distintas. Orientación estándar: LG 270. Bajo demanda: Orientaciones RD. Motores de 2 velocidades.

Aplicaciones específicas



Homologados según norma EN12101-3
Certificación nº 0370-CPD-0346



Parkings

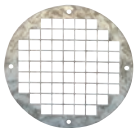
Es imprescindible comprobar que las características eléctricas (voltaje, intensidad, frecuencia, etc) del motor que aparecen en la placa del mismo son compatibles con las de la instalación.

| Código | Modelo | Velocidad (r.p.m.) | Potencia útil (kW) | Intensidad máxima absorbida (A) | | Caudal máximo (m³/h) | Nivel de presión sonora* (dB(A)) | Peso (kg) | Grupo producto | Precio €/u. |
|--------------------|--------------------|--------------------|--------------------|---------------------------------|---------|----------------------|----------------------------------|-----------|----------------|-------------|
| | | | | a 230 V | a 400 V | | | | | |
| TRIFÁSICOS 4 POLOS | | | | | | | | | | |
| 5143557600 | CHMT/4-225/90-0,55 | 1430 | 0,55 | 2,4 | 1,4 | 2.600 | 71 | 34 | E01 | 2.708,56 |
| 5143500600 | CHMT/4-250/100-1,1 | 1390 | 1,1 | 4,7 | 2,7 | 3.600 | 72 | 39 | E01 | 2.758,21 |
| 5143501400 | CHMT/4-250/100-1,5 | 1400 | 1,5 | 6,6 | 3,8 | 3.900 | 73 | 41 | E01 | 3.099,85 |
| 5143502200 | CHMT/4-280/115-2,2 | 1400 | 2,2 | 9,5 | 5,5 | 5.050 | 75 | 64 | E01 | 3.524,96 |
| 5143503000 | CHMT/4-315/130-2,2 | 1400 | 2,2 | 9,5 | 5,5 | 5.450 | 72 | 70 | E01 | 3.658,19 |
| 5143504800 | CHMT/4-315/130-3 | 1400 | 3 | 13 | 7,5 | 6.400 | 75 | 75 | E01 | 4.256,17 |
| 5143505500 | CHMT/4-315/130-4 | 1420 | 4 | - | 9,5 | 7.100 | 78 | 80 | E01 | 4.803,03 |
| 5143506300 | CHMT/4-355/145-3 | 1400 | 3 | 13 | 7,5 | 6.200 | 75 | 77 | E01 | 4.457,49 |
| 5143507100 | CHMT/4-355/145-4 | 1420 | 4 | - | 9,5 | 7.700 | 78 | 82 | E01 | 4.948,89 |
| 5143508900 | CHMT/4-355/145-5,5 | 1440 | 5,5 | - | 12,5 | 9.300 | 81 | 105 | E01 | 4.892,84 |
| 5143509700 | CHMT/4-355/145-7,5 | 1445 | 7,5 | - | 16 | 10.700 | 83 | 113 | E01 | 6.013,13 |
| TRIFÁSICOS 6 POLOS | | | | | | | | | | |
| 5143518800 | CHMT/6-315/130-1,1 | 965 | 1,1 | 3,3 | 5,7 | 5.400 | 69 | 70 | E01 | 3.819,28 |
| 5143515400 | CHMT/6-355/145-1,1 | 965 | 1,1 | 3,3 | 5,7 | 6.700 | 74 | 72 | E01 | 3.906,38 |

* Los valores de los niveles sonoros son presiones sonoras medidas en dB(A) a la descarga de los extractores, con el caudal máximo (Q máx).

ACCESORIOS DE MONTAJE ESPECÍFICOS

(Ver códigos y precios en la Serie CMB/CMT)



KRJ
Defensa de aspiración.



KBA
Brida circular de aspiración.



KBD
Brida rectangular de descarga.



KAD
Acoplamiento elástico rectangular.



KAD F400
Acoplamiento elástico rectangular desenfumage.

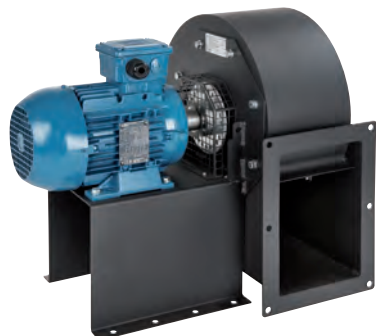


KMTA
Silenciador de aspiración.



KMTI
Silenciador de descarga.

Serie CRMT



Ventiladores centrífugos de simple aspiración, desenfumage, capacitados para trasegar aire a 400°C/2h, fabricados en chapa de acero protegida con pintura epoxi-poliéster anticorrosiva, rodete de acero galvanizado de álabes hacia adelante equilibrado dinámicamente y motor trifásico, IP55, Clase F.

Motores
Clase IE3.
De 4 ó 6 polos, según versiones.
Modelos de 2 velocidades, bajo demanda.
Tensión de alimentación.
Trifásicos 230/400V-50Hz, hasta 3 kW 400V-50Hz, para potencias superiores. (Ver cuadro de características).

Otros datos
Capacitados para trasegar aire a 300°C en continuo. Los motores pueden situarse a derecha o izquierda. Voluta orientable, en ambos casos, para ofrecer 16 combinaciones distintas.
Orientación estándar: LG 270.
Bajo demanda:
Orientaciones RD.
Motores de 2 velocidades.

Aplicaciones específicas

Homologados según norma EN12101-3
Certificación nº 0370-CPD-0406

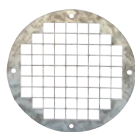
Es imprescindible comprobar que las características eléctricas (voltaje, intensidad, frecuencia, etc) del motor que aparecen en la placa del mismo son compatibles con las de la instalación.

| Código | Modelo | Velocidad (r.p.m.) | Potencia útil (kW) | Intensidad máxima absorbida (A) | | Caudal máximo (m³/h) | Nivel de presión sonora* (dB(A)) | Peso (kg) | Grupo producto | Precio €/u. |
|--------------------|--------------------|--------------------|--------------------|---------------------------------|---------|----------------------|----------------------------------|-----------|----------------|-------------|
| | | | | a 230 V | a 400 V | | | | | |
| TRIFÁSICOS 4 POLOS | | | | | | | | | | |
| 5143000700 | CRMT/4-225/90-0,55 | 1390 | 0,55 | 2,85 | 1,65 | 2.350 | 70 | 23 | E01 | 935,62 |
| 5143001500 | CRMT/4-250/100-1,1 | 1390 | 1,1 | 4,8 | 2,8 | 3.600 | 72 | 33 | E01 | 1.115,89 |
| 5143002300 | CRMT/4-250/100-1,5 | 1400 | 1,5 | 6,4 | 3,7 | 3.900 | 73 | 36 | E01 | 1.183,22 |
| 5143003100 | CRMT/4-280/115-2,2 | 1400 | 2,2 | 9,1 | 5,3 | 5.050 | 75 | 44 | E01 | 1.340,69 |
| 5143004900 | CRMT/4-280/115-3 | 1400 | 3 | 12,6 | 7,3 | 5.500 | 76 | 47 | E01 | 1.435,00 |
| 5143005600 | CRMT/4-315/130-2,2 | 1400 | 2,2 | 9,1 | 5,3 | 5.450 | 72 | 50 | E01 | 1.484,15 |
| 5143006400 | CRMT/4-315/130-3 | 1400 | 3 | 12,6 | 7,3 | 6.400 | 75 | 53 | E01 | 1.578,46 |
| 5143007200 | CRMT/4-315/130-4 | 1420 | 4 | - | 9,3 | 7.100 | 78 | 56 | E01 | 1.743,79 |
| 5143009800 | CRMT/4-355/145-3 | 1400 | 3 | 12,6 | 7,3 | 6.200 | 75 | 55 | E01 | 1.863,71 |
| 5143010600 | CRMT/4-355/145-4 | 1420 | 4 | - | 9,3 | 7.700 | 78 | 58 | E01 | 1.970,94 |
| 5143011400 | CRMT/4-355/145-5,5 | 1440 | 5,5 | - | 12 | 9.300 | 81 | 71 | E01 | 2.213,67 |
| 5143012200 | CRMT/4-355/145-7,5 | 1445 | 7,5 | - | 15,5 | 10.700 | 83 | 79 | E01 | 2.486,04 |
| 5143014800 | CRMT/4-400/165-4 | 1420 | 4 | - | 9,3 | 7.200 | 77 | 73 | E01 | 2.145,30 |
| 5143015500 | CRMT/4-400/165-5,5 | 1440 | 5,5 | - | 12 | 8.300 | 80 | 86 | E01 | 2.388,22 |
| 5143016300 | CRMT/4-400/165-7,5 | 1445 | 7,5 | - | 15,5 | 10.460 | 83 | 94 | E01 | 2.660,47 |
| 5143018900 | CRMT/4-450/185-5,5 | 1445 | 5,5 | - | 12 | 7.560 | 83 | 96 | E01 | 2.581,19 |
| 5143019700 | CRMT/4-450/185-7,5 | 1445 | 7,5 | - | 15,5 | 9.900 | 86 | 104 | E01 | 2.853,59 |
| 5143020500 | CRMT/4-500/205-7,5 | 1445 | 7,5 | - | 15,5 | 8.410 | 83 | 109 | E01 | 3.374,85 |
| 5143021300 | CRMT/4-500/205-9,2 | 1450 | 9,2 | - | 21,5 | 10.300 | 85 | 121 | E01 | 3.594,97 |
| 5143022100 | CRMT/4-500/205-11 | 1450 | 11 | - | 22,5 | 11.250 | 87 | 133 | E01 | 4.091,16 |
| 5143023900 | CRMT/4-500/205-15 | 1460 | 15 | - | 31 | 15.930 | 89 | 148 | E01 | 4.624,77 |
| TRIFÁSICOS 6 POLOS | | | | | | | | | | |
| 5143008000 | CRMT/6-355/145-1,5 | 945 | 1,5 | 7,5 | 4,3 | 6.700 | 75 | 54 | E01 | 1.888,31 |
| 5143013000 | CRMT/6-400/165-2,2 | 950 | 2,2 | 10,8 | 6,2 | 7.750 | 72 | 73 | E01 | 2.117,60 |
| 5143017100 | CRMT/6-450/185-2,2 | 950 | 2,2 | 10,8 | 6,2 | 7.800 | 75 | 83 | E01 | 2.383,23 |

* Los valores de los niveles sonoros son presiones sonoras medidas en dB(A) a la descarga de los extractores, con el caudal máximo (Q máx).

ACCESORIOS DE MONTAJE ESPECÍFICOS

(Ver códigos y precios en la Serie CMB/CMT)



KRJ
Defensa de aspiración.



KBA
Brida circular de aspiración.



KBD
Brida rectangular de descarga.



KAD
Acoplamiento elástico rectangular.



KAD F400
Acoplamiento elástico rectangular desenfumage.



KMTA
Silenciador de aspiración.



KMTI
Silenciador de descarga.

Serie CXRT-N F400



Ventilador centrífugo de acoplamiento directo y simple aspiración, preparado para transportar aire a 400°C/2h. Fabricados en chapa de acero protegida contra la corrosión mediante tratamiento por cataforesis + pintura poliuretana. Temperaturas del aire a transportar -20°C/+100°C en continuo.

Motores

De 2, 4 ó 6 polos, de alta eficiencia IE 3, tensión de alimentación trifásica 230/400V 50Hz hasta tamaño motor 112 y 400/690V 50Hz para motores de mayor dimensión. Protección IP55, Clase F.

Bajo pedido

- Motores de 2 velocidades.
- Versiones de 60Hz.
- Pintura en diferentes RAL.
- Trampilla de inspección, purga de drenaje.



Aplicaciones específicas



Homologados según norma EN12101-3. Certificación nº 0370-CPD-5483



Continuo



Parkings



Cocinas industriales

Es imprescindible comprobar que las características eléctricas (voltaje, intensidad, frecuencia, etc) del motor que aparecen en la placa del mismo son compatibles con las de la instalación.

| Código | Modelo | Tamaño motor | Velocidad (r.p.m.) | Potencia motor (kW) | Intensidad motor 400V (A) | Caudal máximo (m³/h) | Nivel presión sonora a 1 m (dB(A)) ⁽¹⁾ | Peso (kg) ⁽²⁾ | Momento de inercia (kg·m²) ⁽³⁾ | Grupo producto | Precio €/u. |
|------------|---------------|--------------|--------------------|---------------------|---------------------------|----------------------|---|--------------------------|---|----------------|-------------|
| 2 POLOS | | | | | | | | | | | |
| 5130068300 | CXRT-N 251/2 | 71B2 | 2820 | 0,55 | 1,25 | 2.690 | 69 | 32 | 0,035 | E01 | 1.576,45 |
| 5130068400 | CXRT-N 281/2 | 80B2 | 2840 | 1,1 | 2,33 | 3.850 | 72 | 41 | 0,055 | E01 | 1.836,14 |
| 5130068500 | CXRT-N 311/2 | 90L2 | 2850 | 2,2 | 4,43 | 5.510 | 76 | 51 | 0,09 | E01 | 2.063,95 |
| 5130068600 | CXRT-N 351/2 | 100LA2 | 2900 | 3 | 5,77 | 8.350 | 79 | 79 | 0,15 | E01 | 2.508,19 |
| 5130068700 | CXRT-N 402/2 | 112M2 | 2910 | 4 | 7,5 | 10.100 | 82 | 94 | 0,27 | E01 | 3.050,39 |
| 5130069000 | CXRT-N 401/2 | 132SA2 | 2890 | 5,5 | 10,1 | 12.170 | 84 | 106 | 0,27 | E01 | 3.198,46 |
| 5130069100 | CXRT-N 452/2 | 132SB2 | 2890 | 7,5 | 13,9 | 14.360 | 85 | 123 | 0,48 | E01 | 3.843,14 |
| 5130069200 | CXRT-N 451/2 | 160MB2 | 2930 | 11 | 18,7 | 17.410 | 88 | 158 | 0,48 | E01 | 4.034,52 |
| 4 POLOS | | | | | | | | | | | |
| 5130068800 | CXRT-N 401/4 | 80A4 | 1370 | 0,55 | 1,26 | 5.770 | 64 | 73 | 0,27 | E01 | 2.515,01 |
| 5130069300 | CXRT-N 451/4 | 90S4 | 1390 | 1,1 | 2,3 | 8.260 | 67 | 92 | 0,48 | E01 | 2.813,44 |
| 5130069400 | CXRT-N 502/4 | 90L4 | 1400 | 1,5 | 3,15 | 9.540 | 68 | 121 | 0,83 | E01 | 3.476,39 |
| 5130069500 | CXRT-N 501/4 | 100LA4 | 1420 | 2,2 | 4,56 | 11.690 | 71 | 128 | 0,83 | E01 | 3.439,92 |
| 5130069800 | CXRT-N 562/4 | 100LB4 | 1430 | 3 | 6,15 | 13.640 | 71 | 131 | 1,33 | E01 | 4.770,33 |
| 5130070000 | CXRT-N 561/4 | 112M4 | 1425 | 4 | 8,2 | 16.450 | 74 | 136 | 1,33 | E01 | 5.007,25 |
| 5130070200 | CXRT-N 632/4 | 132SA4 | 1440 | 5,5 | 10,3 | 19.670 | 75 | 184 | 2,18 | E01 | 6.194,16 |
| 5130070400 | CXRT-N 631/4 | 132MA4 | 1450 | 7,5 | 13,9 | 23.950 | 78 | 197 | 2,18 | E01 | 6.239,72 |
| 5130070700 | CXRT-N 712/4 | 160M4 | 1450 | 11 | 20,7 | 28.280 | 79 | 292 | 3,83 | E01 | 8.458,59 |
| 5130070900 | CXRT-N 711/4 | 160L4 | 1450 | 15 | 28,4 | 32.860 | 82 | 292 | 3,83 | E01 | 9.524,74 |
| 5130071100 | CXRT-N 802/4 | 180M4 | 1460 | 18,5 | 34,9 | 40.880 | 82 | 380 | 7 | E01 | 11.515,80 |
| 5130071400 | CXRT-N 801/4 | 180L4 | 1470 | 22 | 40,9 | 48.440 | 85 | 380 | 7 | E01 | 12.488,53 |
| 5130071600 | CXRT-N 902/4 | 225S4 | 1475 | 37 | 65,6 | 59.000 | 85 | 629 | 11,8 | E01 | 17.719,06 |
| 5130071800 | CXRT-N 901/4 | 225M4 | 1475 | 45 | 79,4 | 67.630 | 88 | 648 | 11,8 | E01 | 20.391,28 |
| 6 POLOS | | | | | | | | | | | |
| 5130069600 | CXRT-N 562/6 | 90S6 | 930 | 0,75 | 1,95 | 8.870 | 59 | 120 | 1,33 | E01 | 4.392,17 |
| 5130069900 | CXRT-N 561/6 | 90L6 | 930 | 1,1 | 2,78 | 10.740 | 62 | 123 | 1,33 | E01 | 4.100,59 |
| 5130070100 | CXRT-N 632/6 | 100LA6 | 950 | 1,5 | 3,71 | 15.690 | 65 | 164 | 2,18 | E01 | 5.230,53 |
| 5130070300 | CXRT-N 631/6 | 112M6 | 950 | 2,2 | 5,94 | 12.980 | 68 | 171 | 2,18 | E01 | 5.048,27 |
| 5130070600 | CXRT-N 712/6 | 132SA6 | 950 | 3 | 8,1 | 21.750 | 69 | 275 | 3,83 | E01 | 6.688,50 |
| 5130070800 | CXRT-N 711/6 | 132MA6 | 960 | 4 | 7,3 | 18.530 | 72 | 275 | 3,83 | E01 | 6.549,53 |
| 5130071000 | CXRT-N 802/6 | 132MB6 | 960 | 5,5 | 12,8 | 31.800 | 72 | 336 | 7 | E01 | 8.264,94 |
| 5130071200 | CXRT-N 801/6 | 160M6 | 965 | 7,5 | 14,7 | 26.880 | 75 | 347 | 7 | E01 | 8.643,11 |
| 5130071500 | CXRT-N 902/6 | 160L6 | 965 | 11 | 21,5 | 38.600 | 75 | 459 | 11,8 | E01 | 11.470,24 |
| 5130071700 | CXRT-N 901/6 | 180L6 | 970 | 15 | 30,4 | 44.470 | 78 | 498 | 11,8 | E01 | 12.128,60 |
| 5130071900 | CXRT-N 1002/6 | 200LR6 | 970 | 18,5 | 37,3 | 52.380 | 79 | 695 | 19,5 | E01 | 15.336,17 |
| 5130072000 | CXRT-N 1001/6 | 200L6 | 970 | 22 | 43 | 63.580 | 82 | 715 | 19,5 | E01 | 15.618,64 |
| 5130072200 | CXRT-N 1122/6 | 225M6 | 975 | 30 | 54,2 | 75.210 | 82 | 1070 | 33,5 | E01 | 20.901,57 |
| 5130072300 | CXRT-N 1121/6 | 250M6 | 980 | 37 | 66,6 | 87.990 | 85 | 1210 | 33,5 | E01 | 22.863,00 |
| 5130072400 | CXRT-N 1252/6 | 280M6 | 980 | 55 | 102 | 104.960 | 85 | 1474 | 59,5 | E01 | 32.066,55 |
| 5130072500 | CXRT-N 1251/6 | 315S6 | 985 | 75 | 136 | 127.020 | 88 | 1594 | 59,5 | E01 | 34.741,01 |
| 5130072600 | CXRT-N 1402/6 | 315M6 | 985 | 90 | 163 | 147.160 | 89 | 2037 | 105 | E01 | 40.736,99 |
| 5130072700 | CXRT-N 1401/6 | 315MA6 | 985 | 110 | 199 | 181.470 | 92 | 2092 | 105 | E01 | 47.931,23 |

¹ Entubado en la descarga.
Tolerancia del nivel de ruido de +3dB(A, medido en el punto de máxima eficiencia).
² Con motor incluido y para orientación LG270 ó RD270.
³ Momento de inercia del rodete.

Serie BSP



Configuración versiones Tipo T



Configuración versiones Tipo C

Ventiladores centrífugos a transmisión, de simple aspiración, desenfumage, capacitados para trasegar aire a 400°C/2h tanto para aplicaciones de suministro o extracción de aire.

Otros datos

Los tamaños de esta serie están de acuerdo con la normativa AMCA 99-0098-76 y DIN 323 R20. La transmisión está protegida por cubre-correas y puede situarse a derecha o izquierda.

Motor

Clase IE3.
Motor a transmisión con patas (tipo B3), montado fuera del flujo de aire, IP55, Clase F.
Tensión de alimentación:
Trifásicos 230/400V-50Hz hasta 3 kW.
Trifásicos 400V-50Hz para potencias superiores a 3 kW.
Motores trifásicos de 1 velocidad regulables con variador de frecuencia.

Rodete

Rodete de álabes hacia atrás, fabricado en acero acabado en pintura poliéster.

Voluta

Las volutas del tamaño 315 al 1000 son de acero galvanizado con fijación de los laterales mediante sistema "Pittsburg".

Marco

Para los ventiladores de tipo "C", los perfiles "L" son de acero galvanizado y para los modelos de tipo "T", los perfiles "L" son de acero acabado en pintura poliéster.

Versión C (modelos desde 315 hasta 630): Con perfiles de refuerzo en ambos lados para mayor rigidez. 4 orientaciones y dos tipos de rotación diferentes (CW o CCW).

Versión T (modelos desde 710 hasta 1000): Estructura soldada más robusta que confiere más consistencia y rigidez. 4 orientaciones y dos tipos de rotación diferentes (CW o CCW).

Bajo demanda

Motor de 2 velocidades.
Pintura epoxi.
Puerta de inspección y de desagüe.

Otros datos

Capacitados para trasegar aire a 100°C en continuo.

Versiones ATEX

Bajo pedido, versiones antiexplosivas según la Directiva ATEX para modelos trifásicos:

- ATEX Antideflagrantes - Gas
 - ⊕ II 2G Ex d IIB T4
 - ⊕ II 2G Ex d IIB(H2) T4 (con motor Ex d IIC T4)
- ATEX Seguridad aumentada - Gas
 - ⊕ II 2G Ex e II T3
- ATEX - Polvo
 - Partículas en suspensión inflamables y polvo no conductor:
 - ⊕ II 3D Ex tc IIIB T125°C
 - Polvo conductor:
 - ⊕ II 3D Ex tc IIC T125°C (con motor IP65)

Aplicaciones específicas



Homologados según norma EN12101-3



Continuo



Parkings



Cocinas industriales



Versiones

Es imprescindible comprobar que las características eléctricas (voltaje, intensidad, frecuencia, etc) del motor que aparecen en la placa del mismo son compatibles con las de la instalación.

| Modelo | Potencia útil motor (kW) | Grupo producto | Precio €/u. |
|-------------------|--------------------------|----------------|-------------|
| BSP/4-315-CM-0,25 | 0,25 | E01 | 2.119,21 |
| BSP/4-315-CM-0,37 | 0,37 | E01 | 2.156,10 |
| BSP/4-315-CM-0,55 | 0,55 | E01 | 2.090,86 |
| BSP/4-315-CM-0,75 | 0,75 | E01 | 2.108,03 |
| BSP/4-315-CM-1,1 | 1,1 | E01 | 2.194,61 |
| BSP/4-315-CM-1,5 | 1,5 | E01 | 2.268,03 |
| BSP/4-315-CM-2,2 | 2,2 | E01 | 2.425,82 |
| BSP/4-315-CM-3 | 3 | E01 | 2.555,94 |
| BSP/4-355-CM-0,25 | 0,25 | E01 | 2.440,32 |
| BSP/4-355-CM-0,37 | 0,37 | E01 | 2.477,26 |
| BSP/4-355-CM-0,55 | 0,55 | E01 | 2.411,99 |
| BSP/4-355-CM-0,75 | 0,75 | E01 | 2.429,24 |
| BSP/4-355-CM-1,1 | 1,1 | E01 | 2.515,83 |
| BSP/4-355-CM-1,5 | 1,5 | E01 | 2.589,18 |
| BSP/4-355-CM-2,2 | 2,2 | E01 | 2.746,92 |
| BSP/4-355-CM-3 | 3 | E01 | 2.877,16 |
| BSP/4-355-CM-4 | 4 | E01 | 3.096,44 |

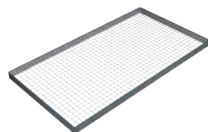
| Modelo | Potencia útil motor (kW) | Grupo producto | Precio €/u. |
|-------------------|--------------------------|----------------|-------------|
| BSP/4-400-CM-0,55 | 0,55 | E01 | 2.576,73 |
| BSP/4-400-CM-0,75 | 0,75 | E01 | 2.593,91 |
| BSP/4-400-CM-1,1 | 1,1 | E01 | 2.680,49 |
| BSP/4-400-CM-1,5 | 1,5 | E01 | 2.753,83 |
| BSP/4-400-CM-2,2 | 2,2 | E01 | 2.911,67 |
| BSP/4-400-CM-3 | 3 | E01 | 3.041,79 |
| BSP/4-400-CM-4 | 4 | E01 | 3.261,16 |
| BSP/4-450-CM-0,55 | 0,55 | E01 | 2.859,88 |
| BSP/4-450-CM-0,75 | 0,75 | E01 | 2.877,16 |
| BSP/4-450-CM-1,1 | 1,1 | E01 | 2.963,71 |
| BSP/4-450-CM-1,5 | 1,5 | E01 | 3.037,10 |
| BSP/4-450-CM-2,2 | 2,2 | E01 | 3.194,82 |
| BSP/4-450-CM-3 | 3 | E01 | 3.325,03 |
| BSP/4-450-CM-4 | 4 | E01 | 3.544,35 |
| BSP/4-450-CM-5,5 | 5,5 | E01 | 3.931,26 |

| Modelo | Potencia útil motor (kW) | Grupo producto | Precio €/u. |
|-------------------|--------------------------|----------------|------------------|
| BSP/4-500-CM-0,75 | 0,75 | E01 | 3.424,36 |
| BSP/4-500-CM-1,1 | 1,1 | E01 | 3.510,92 |
| BSP/4-500-CM-1,5 | 1,5 | E01 | 3.584,30 |
| BSP/4-500-CM-2,2 | 2,2 | E01 | 3.742,16 |
| BSP/4-500-CM-3 | 3 | E01 | 3.872,30 |
| BSP/4-500-CM-4 | 4 | E01 | 4.091,69 |
| BSP/4-500-CM-5,5 | 5,5 | E01 | 4.478,49 |
| | | | |
| BSP/4-560-CM-0,75 | 0,75 | E01 | 3.854,47 |
| BSP/4-560-CM-1,1 | 1,1 | E01 | 3.941,07 |
| BSP/4-560-CM-1,5 | 1,5 | E01 | 4.014,41 |
| BSP/4-560-CM-2,2 | 2,2 | E01 | 4.172,15 |
| BSP/4-560-CM-3 | 3 | E01 | 4.302,38 |
| BSP/4-560-CM-4 | 4 | E01 | 4.521,68 |
| BSP/4-560-CM-5,5 | 5,5 | E01 | 4.908,58 |
| BSP/4-560-CM-7,5 | 7,5 | E01 | 5.047,42 |
| | | | |
| BSP/4-630-CM-0,75 | 0,75 | E01 | 4.357,41 |
| BSP/4-630-CM-1,1 | 1,1 | E01 | 4.443,96 |
| BSP/4-630-CM-1,5 | 1,5 | E01 | 4.517,35 |
| BSP/4-630-CM-2,2 | 2,2 | E01 | 4.675,06 |
| BSP/4-630-CM-3 | 3 | E01 | 4.805,30 |
| BSP/4-630-CM-4 | 4 | E01 | 5.024,59 |
| BSP/4-630-CM-5,5 | 5,5 | E01 | 5.411,52 |
| BSP/4-630-CM-7,5 | 7,5 | E01 | 5.550,32 |
| | | | |
| BSP/4-710-TM-1,1 | 1,1 | E01 | 7.763,50 |
| BSP/4-710-TM-1,5 | 1,5 | E01 | 7.836,87 |
| BSP/4-710-TM-2,2 | 2,2 | E01 | 7.994,58 |
| BSP/4-710-TM-3 | 3 | E01 | 8.124,84 |
| BSP/4-710-TM-4 | 4 | E01 | 8.344,12 |
| BSP/4-710-TM-5,5 | 5,5 | E01 | 8.731,02 |
| BSP/4-710-TM-7,5 | 7,5 | E01 | 8.869,81 |
| BSP/4-710-TM-11 | 11 | E01 | 10.072,57 |

| Modelo | Potencia útil motor (kW) | Grupo producto | Precio €/u. |
|--------------------|--------------------------|----------------|------------------|
| BSP/4-800-TM-1,1 | 1,1 | E01 | 9.071,78 |
| BSP/4-800-TM-1,5 | 1,5 | E01 | 9.145,14 |
| BSP/4-800-TM-2,2 | 2,2 | E01 | 9.302,88 |
| BSP/4-800-TM-3 | 3 | E01 | 9.433,10 |
| BSP/4-800-TM-4 | 4 | E01 | 9.652,51 |
| BSP/4-800-TM-5,5 | 5,5 | E01 | 10.039,32 |
| BSP/4-800-TM-7,5 | 7,5 | E01 | 10.178,22 |
| BSP/4-800-TM-11 | 11 | E01 | 11.380,84 |
| BSP/4-800-TM-15 | 15 | E01 | 12.010,50 |
| | | | |
| BSP/4-900-TM-1,5 | 1,5 | E01 | 10.694,52 |
| BSP/4-900-TM-2,2 | 2,2 | E01 | 10.852,34 |
| BSP/4-900-TM-3 | 3 | E01 | 10.982,51 |
| BSP/4-900-TM-4 | 4 | E01 | 11.201,88 |
| BSP/4-900-TM-5,5 | 5,5 | E01 | 11.588,68 |
| BSP/4-900-TM-7,5 | 7,5 | E01 | 11.727,56 |
| BSP/4-900-TM-11 | 11 | E01 | 12.930,22 |
| BSP/4-900-TM-15 | 15 | E01 | 13.559,94 |
| | | | |
| BSP/4-1000-TM-3 | 3 | E01 | 13.455,02 |
| BSP/4-1000-TM-4 | 4 | E01 | 13.674,40 |
| BSP/4-1000-TM-5,5 | 5,5 | E01 | 14.061,21 |
| BSP/4-1000-TM-7,5 | 7,5 | E01 | 14.200,13 |
| BSP/4-1000-TM-11 | 11 | E01 | 15.402,74 |
| BSP/4-1000-TM-15 | 15 | E01 | 16.032,39 |
| BSP/4-1000-TM-18,5 | 18,5 | E01 | 17.123,32 |

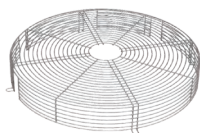
ACCESORIOS ESPECÍFICOS DE MONTAJE PARA LA SERIE BSP

KPJD
Defensa de descarga.



| Código | Modelo | Grupo producto | Precio €/u. |
|----------------------|-----------|----------------|-------------|
| Defensas de descarga | | | |
| 5800045200 | KPJD-315 | E01 | 29,60 |
| 5800045300 | KPJD-355 | E01 | 35,25 |
| 5800045400 | KPJD-400 | E01 | 37,62 |
| 5800045500 | KPJD-450 | E01 | 43,93 |
| 5800045600 | KPJD-500 | E01 | 56,22 |
| 5800045700 | KPJD-560 | E01 | 62,49 |
| 5800045800 | KPJD-630 | E01 | 78,42 |
| 5800045900 | KPJD-710 | E01 | 86,08 |
| 5800046000 | KPJD-800 | E01 | 97,46 |
| 5800046100 | KPJD-900 | E01 | 129,56 |
| 5800046200 | KPJD-1000 | E01 | 135,20 |

KPJA
Defensa de aspiración.



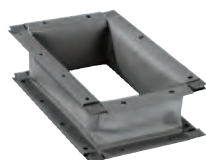
| Código | Modelo | Grupo producto | Precio €/u. |
|------------------------|--------------|----------------|-------------|
| Defensas de aspiración | | | |
| 5800044100 | KPJA-315 S/C | E01 | 19,07 |
| 5800044200 | KPJA-355 S/C | E01 | 31,35 |
| 5800044300 | KPJA-400 S/C | E01 | 30,84 |
| 5800044400 | KPJA-450 S/C | E01 | 36,95 |
| 5800044500 | KPJA-500 S/C | E01 | 41,75 |
| 5800044600 | KPJA-560 S/C | E01 | 49,39 |
| 5800044700 | KPJA-630 S/C | E01 | 63,01 |
| 5800043300 | KPJA-710 T | E01 | 85,21 |
| 5800043400 | KPJA-800 T | E01 | 108,74 |
| 5800043500 | KPJA-900 T | E01 | 121,83 |
| 5800043600 | KPJA-1000 T | E01 | 140,34 |

KPBA
Brida circular de aspiración.

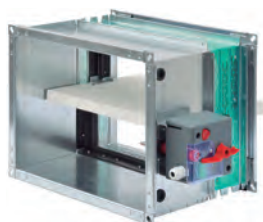


| Código | Modelo | Grupo producto | Precio €/u. |
|---------------------------------|-----------|----------------|-------------|
| Bridas circulares de aspiración | | | |
| 5800048800 | KPBA-710 | E01 | 345,79 |
| 5800048900 | KPBA-800 | E01 | 412,28 |
| 5800049000 | KPBA-900 | E01 | 451,29 |
| 5800049100 | KPBA-1000 | E01 | 549,58 |

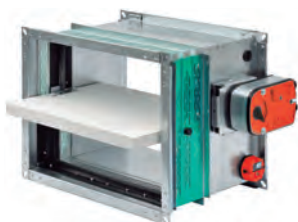
KPAD
Acoplamiento elástico rectangular de descarga.



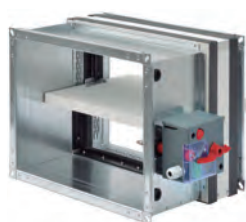
| Código | Modelo | Grupo producto | Precio €/u. |
|---|-----------|----------------|-------------|
| Acoplamientos elásticos rectangulares de descarga | | | |
| 5416779400 | KPAD-315 | E01 | 110,41 |
| 5416779500 | KPAD-355 | E01 | 114,78 |
| 5416779600 | KPAD-400 | E01 | 117,10 |
| 5416761100 | KPAD-450 | E01 | 123,13 |
| 5416779700 | KPAD-500 | E01 | 164,73 |
| 5416779800 | KPAD-560 | E01 | 170,47 |
| 5416761000 | KPAD-630 | E01 | 181,47 |
| 5416779900 | KPAD-710 | E01 | 207,29 |
| 5416780000 | KPAD-800 | E01 | 290,26 |
| 5416780100 | KPAD-900 | E01 | 341,22 |
| 5416780200 | KPAD-1000 | E01 | 384,22 |



240 MDF 25 L



242 MDF 25 LM



244 MDF 25



246 MDF 25 M



248 MDF 30 EURO



252 BTT 25



254 BTT 25 M



256 BTT 30 EURO

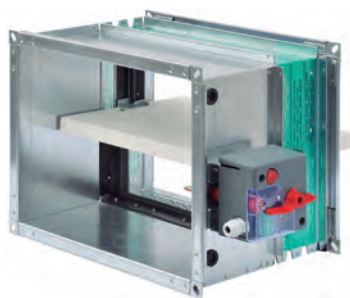


259 BRG

| MODELO | EN 15650 CE | CE | PG GOST-R |  |
|--|-------------|----|--------------|---|
|  | ✓ | ✓ | | EI 120 S |
|  | ✓ | ✓ | | EI 120 S |
|  | ✓ | ✓ | | EI 120 S |
|  | ✓ | ✓ | | EI 120 S |
|  | ✓ | ✓ | ✓ | EI 120 S |
|  | ✓ | ✓ | ✓ | EI 120 S |
|  | ✓ | ✓ | ✓ | EI 120 S |
|  | ✓ | ✓ | ✓ | EI 120 S |

| DIMENSIONES (mm) | RESISTENCIA AL FUEGO | | | ACCIONAMIENTO | | |
|---------------------------|----------------------------|----------------------------|----------------------------|---------------|------|------------|
| | | | | MANUAL | IMÁN | SERVOMOTOR |
| de 100 x 200 a 800 x 600 | EI 120 (Ve i↔o) S (500 Pa) | EI 120 (Ve i↔o) S (500 Pa) | EI 120 (Ho i↔o) S (500 Pa) | ✓ | ✓ | |
| de 100 x 200 a 800 x 600 | EI 120 (Ve i↔o) S (500 Pa) | EI 120 (Ve i↔o) S (500 Pa) | EI 120 (Ho i↔o) S (500 Pa) | | | ✓ |
| de 100 x 200 a 800 x 600 | EI 120 (Ve i↔o) S (500 Pa) | | | ✓ | ✓ | |
| de 100 x 200 a 800 x 600 | EI 120 (Ve i↔o) S (500 Pa) | | | | | ✓ |
| de 800 x 600 a 1500 x 800 | EI 120 (Ve i↔o) S (500 Pa) | EI 120 (Ve i↔o) S (300 Pa) | EI 120 (Ho i↔o) S (300 Pa) | ✓ | ✓ | ✓ |
| de Ø 100 a Ø 315 | EI 120 (Ve i↔o) S (500 Pa) | EI 120 (Ve i↔o) S (500 Pa) | EI 120 (Ho i↔o) S (500 Pa) | ✓ | ✓ | |
| de Ø 100 a Ø 315 | EI 120 (Ve i↔o) S (500 Pa) | EI 120 (Ve i↔o) S (500 Pa) | EI 120 (Ho i↔o) S (500 Pa) | | | ✓ |
| de Ø 315 a Ø 800 | EI 120 (Ve i↔o) S (500 Pa) | EI 120 (Ve i↔o) S (500 Pa) | EI 120 (Ho i↔o) S (500 Pa) | ✓ | ✓ | ✓ |

Serie MDF 25 L



CE

Características

Compuertas cortafuegos con marcado CE certificadas UNI EN 15650, clasificadas según UNI EN 13501-3 y ensayadas según UNI EN 1366/2. Se pueden instalar en conductos de ventilación y garantizan una rápida interrupción del flujo de aire en caso de incendio.

Accionado con electroimán o fusible térmico de rearme mecánico.

Estructura

Carcasa de acero galvanizado con corte térmico intermedio. Pala de fibrosilicato accionada sobre pivotes de rotación de acero alojados en casquillos de latón.

Provistas de brida externa para su conexión a los conductos y de dispositivo de desconexión térmica calibrado de serie a 72 °C.

Condiciones de funcionamiento

Aire limpio, velocidad máxima 10 m/s.

MDF 25 L

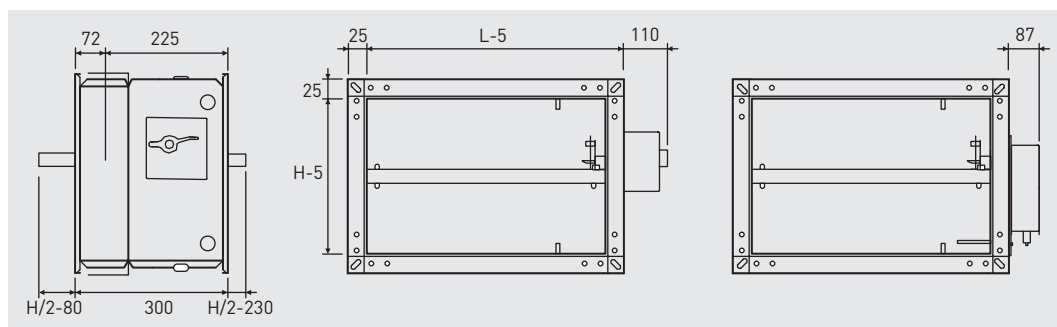
Con mando mecánico y predisposición para electroimán

| ↑ H (mm) | BASE B (mm) | | | | | | | | Grupo producto |
|-------------|-------------|--------|--------|--------|--------|--------|--------|--------|----------------|
| | 100 | 150 | 200 | 250 | 300 | 350 | 400 | 450 | |
| | €/u. | €/u. | €/u. | €/u. | €/u. | €/u. | €/u. | €/u. | |
| 200 | 238,33 | 241,96 | 245,66 | 250,37 | 255,09 | 259,98 | 264,70 | 269,41 | E01 |
| 250 | 244,49 | 248,22 | 252,00 | 257,32 | 262,63 | 267,81 | 272,96 | 277,99 | E01 |
| 300 | 250,51 | 254,35 | 258,21 | 264,26 | 270,16 | 275,63 | 281,07 | 286,70 | E01 |
| 350 | 256,68 | 260,58 | 264,54 | 271,19 | 277,70 | 283,58 | 289,34 | 295,25 | E01 |
| 400 | 262,84 | 266,83 | 270,91 | 277,99 | 285,22 | 291,41 | 297,63 | 303,95 | E01 |
| 450 | 270,45 | 274,53 | 278,73 | 286,38 | 293,92 | 300,71 | 307,37 | 314,14 | E01 |
| 500 | 278,16 | 282,41 | 286,70 | 294,80 | 302,78 | 309,87 | 317,11 | 324,35 | E01 |
| 550 | 285,73 | 290,11 | 294,52 | 303,08 | 311,63 | 319,17 | 326,87 | 334,51 | E01 |
| 600 | 293,48 | 297,95 | 302,50 | 311,51 | 320,49 | 328,44 | 336,46 | 344,57 | E01 |

| ↑ H (mm) | BASE B (mm) | | | | | | | Grupo producto |
|-------------|-------------|--------|--------|--------|--------|--------|--------|----------------|
| | 500 | 550 | 600 | 650 | 700 | 750 | 800 | |
| | €/u. | €/u. | €/u. | €/u. | €/u. | €/u. | €/u. | |
| 200 | 274,13 | 278,87 | 283,76 | 289,94 | 296,29 | 302,64 | 308,98 | E01 |
| 250 | 283,15 | 288,33 | 293,48 | 300,44 | 307,23 | 314,00 | 320,94 | E01 |
| 300 | 292,13 | 297,75 | 303,37 | 310,74 | 317,99 | 325,37 | 332,76 | E01 |
| 350 | 301,30 | 307,23 | 313,27 | 321,09 | 328,93 | 336,90 | 344,72 | E01 |
| 400 | 310,31 | 316,65 | 323,01 | 331,43 | 339,85 | 348,27 | 356,69 | E01 |
| 450 | 320,94 | 327,73 | 334,66 | 343,68 | 352,54 | 361,70 | 370,70 | E01 |
| 500 | 331,58 | 338,83 | 346,20 | 355,78 | 365,39 | 375,14 | 384,71 | E01 |
| 550 | 342,20 | 349,89 | 357,72 | 368,05 | 378,22 | 388,40 | 398,74 | E01 |
| 600 | 352,68 | 361,09 | 369,37 | 380,15 | 390,92 | 401,87 | 412,78 | E01 |

Nota: En el precio están incluidos 1 termofusible 72 °C y 2 microinterruptores.

DIMENSIONES (mm)



PRESTACIONES

Compuertas cortafuegos ensayadas según EN 1366-2 y clasificadas según EN 13501-3

| Clasificaciones de resistencia | | |
|---|---------------------------|---------------------------|
| | EI 120 S - 500 Pa | EI 90 S - 500 Pa |
| Pared de hormigón celular aireado espesor 100 mm ($v_e i \leftrightarrow o$) | de 100x200 a 800x600 SR/M | de 100x200 a 800x600 SR/M |
| Forjado de hormigón celular aireado espesor 150 mm ($h_o i \leftrightarrow o$) | de 100x200 a 800x600 SR/M | de 100x200 a 800x600 SR/M |
| Placas de cartón-yeso tipo F espesor 100 mm * ($v_e i \leftrightarrow o$) | de 100x200 a 800x600 SR/M | de 100x200 a 800x600 SR/M |
| Placas de cartón-yeso tipo F espesor 100 mm ($v_e i \leftrightarrow o$) | - | de 100x200 a 800x600 SR/M |

* Es necesario usar la junta termoexpandente LFC

Leyenda

- v_e = instalación vertical
- h_o = instalación horizontal
- $i \leftrightarrow o$ = lado expuesto al fuego indiferente
- Pa = Pascal
- E = integridad
- I = aislamiento térmico
- S = estanqueidad al humo
- M = mando de rearme manual
- SR = accionamiento con servomotor

ACCESORIOS

| Modelo | Descripción | Grupo producto | Precio €/u. |
|---------|--|----------------|-------------|
| FS3172 | Termofusible mecánico de cobre 72 °C | E01 | 20,37 |
| FS31100 | Termofusible mecánico de cobre 95 °C | E01 | 22,65 |
| ME33 | Electroimán con alimentación 220V AC normalmente excitado | E01 | 175,41 |
| MD34 | Electroimán con alimentación 220V AC normalmente desexcitado | E01 | 233,85 |
| ME35 | Electroimán con alimentación 24V DC normalmente excitado | E01 | 175,41 |
| MD36 | Electroimán con alimentación 24V DC normalmente desexcitado | E01 | 233,84 |
| LFC | Junta termoexpandente (rollo 10m precio por m) | E01 | 18,84 |

Serie MDF 25 LM



Características

Compuertas cortafuegos con marcado CE certificadas UNI EN 15650, clasificadas según UNI EN 13501-3 y ensayadas según UNI EN 1366/2. Se pueden instalar en conductos de ventilación y garantizan una rápida interrupción del flujo de aire en caso de incendio. Accionado mediante servomotor.

Estructura

Carcasa de acero galvanizado con corte térmico intermedio. Pala de fibrosilicato accionada sobre pivotes de rotación de acero alojados en casquillos de latón. Provistas de brida externa para su conexión a los conductos y de dispositivo de desconexión térmica calibrado de serie a 72 °C.

Condiciones de funcionamiento

Aire limpio, velocidad máxima 10 m/s.

MDF 25 LM

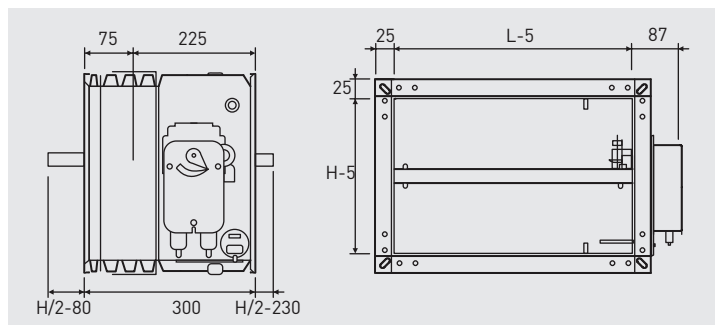
Con predisposición para servomotor

| ↑ H (mm) | BASE B (mm) | | | | | | | | Grupo producto |
|-------------|-------------|-------------|-------------|-------------|-------------|-------------|-------------|-------------|----------------|
| | 100 | 150 | 200 | 250 | 300 | 350 | 400 | 450 | |
| 200 | €/u. 214,50 | €/u. 217,78 | €/u. 221,08 | €/u. 225,33 | €/u. 229,59 | €/u. 233,99 | €/u. 238,22 | €/u. 242,49 | E01 |
| 250 | €/u. 220,05 | €/u. 223,39 | €/u. 226,81 | €/u. 231,58 | €/u. 236,36 | €/u. 241,03 | €/u. 245,68 | €/u. 250,17 | E01 |
| 300 | €/u. 225,49 | €/u. 228,91 | €/u. 232,38 | €/u. 237,83 | €/u. 243,16 | €/u. 248,06 | €/u. 252,97 | €/u. 258,02 | E01 |
| 350 | €/u. 231,00 | €/u. 234,52 | €/u. 238,08 | €/u. 244,08 | €/u. 249,93 | €/u. 255,21 | €/u. 260,42 | €/u. 265,74 | E01 |
| 400 | €/u. 236,56 | €/u. 240,15 | €/u. 243,81 | €/u. 250,17 | €/u. 256,69 | €/u. 262,28 | €/u. 267,85 | €/u. 273,57 | E01 |
| 450 | €/u. 243,38 | €/u. 247,10 | €/u. 250,83 | €/u. 257,79 | €/u. 264,52 | €/u. 270,63 | €/u. 276,63 | €/u. 282,76 | E01 |
| 500 | €/u. 250,34 | €/u. 254,15 | €/u. 258,02 | €/u. 265,33 | €/u. 271,86 | €/u. 278,88 | €/u. 285,39 | €/u. 291,89 | E01 |
| 550 | €/u. 257,16 | €/u. 261,07 | €/u. 265,07 | €/u. 272,77 | €/u. 280,48 | €/u. 287,26 | €/u. 294,17 | €/u. 301,06 | E01 |
| 600 | €/u. 264,14 | €/u. 268,16 | €/u. 272,24 | €/u. 280,36 | €/u. 288,43 | €/u. 295,62 | €/u. 302,80 | €/u. 310,12 | E01 |

| ↑ H (mm) | BASE B (mm) | | | | | | | Grupo producto |
|-------------|-------------|-------------|-------------|-------------|-------------|-------------|-------------|----------------|
| | 500 | 550 | 600 | 650 | 700 | 750 | 800 | |
| 200 | €/u. 246,72 | €/u. 251,00 | €/u. 255,39 | €/u. 260,95 | €/u. 266,68 | €/u. 272,39 | €/u. 278,10 | E01 |
| 250 | €/u. 254,84 | €/u. 259,48 | €/u. 264,14 | €/u. 270,37 | €/u. 276,49 | €/u. 282,59 | €/u. 288,85 | E01 |
| 300 | €/u. 262,93 | €/u. 267,97 | €/u. 273,04 | €/u. 279,67 | €/u. 286,20 | €/u. 292,81 | €/u. 299,49 | E01 |
| 350 | €/u. 271,18 | €/u. 276,49 | €/u. 281,95 | €/u. 288,98 | €/u. 296,02 | €/u. 303,20 | €/u. 310,24 | E01 |
| 400 | €/u. 279,31 | €/u. 284,98 | €/u. 290,71 | €/u. 298,31 | €/u. 305,85 | €/u. 313,43 | €/u. 321,00 | E01 |
| 450 | €/u. 288,85 | €/u. 294,96 | €/u. 301,23 | €/u. 309,32 | €/u. 317,28 | €/u. 325,52 | €/u. 333,62 | E01 |
| 500 | €/u. 298,42 | €/u. 304,92 | €/u. 311,58 | €/u. 320,21 | €/u. 328,84 | €/u. 337,61 | €/u. 346,24 | E01 |
| 550 | €/u. 307,96 | €/u. 314,91 | €/u. 321,93 | €/u. 331,23 | €/u. 340,40 | €/u. 349,57 | €/u. 358,87 | E01 |
| 600 | €/u. 317,42 | €/u. 324,97 | €/u. 332,44 | €/u. 342,11 | €/u. 351,83 | €/u. 361,66 | €/u. 371,49 | E01 |

Nota: En el precio están incluidos 1 termofusible 72 °C y 2 microinterruptores (incluidos en el servomotor).

DIMENSIONES (mm)



| |
|------------|
| BFL |
| BFN |

PRESTACIONES

Compuertas cortafuegos ensayadas según EN 1366-2 y clasificadas según EN 13501-3

| Clasificaciones de resistencia | | |
|--|---------------------------|---------------------------|
| | EI 120 S - 500 Pa | EI 90 S - 500 Pa |
| Pared de hormigón celular aireado espesor 100 mm (v _e i ↔ o) | de 100x200 a 800x600 SR/M | de 100x200 a 800x600 SR/M |
| Forjado de hormigón celular aireado espesor 150 mm (h _o i ↔ o) | de 100x200 a 800x600 SR/M | de 100x200 a 800x600 SR/M |
| Placas de cartón-yeso tipo F espesor 100 mm * (v _e i ↔ o) | de 100x200 a 800x600 SR/M | de 100x200 a 800x600 SR/M |
| Placas de cartón-yeso tipo F espesor 100 mm (v _e i ↔ o) | - | de 100x200 a 800x600 SR/M |

* Es necesario usar la junta termoexpandente LFC

Leyenda

- v_e = instalación vertical
- h_o = instalación horizontal
- i ↔ o = lado expuesto al fuego indiferente
- Pa = Pascal
- E = integridad
- I = aislamiento térmico
- S = estanqueidad al humo
- M = mando de rearme manual
- SR = accionamiento con servomotor

SERVOMOTORES

BFL...T con termofusible BAE72-S



| Modelo | Tensión (V) | Mando | Grupo producto | Precio €/u. |
|-----------|-------------|--------|----------------|---------------|
| BFL24T | 24 | On-Off | E01 | 423,74 |
| BFL24T-ST | 24 | On-Off | E01 | 612,82 |
| BFL230T | 230 | On-Off | E01 | 453,25 |

Nota

- Todos los BFL tienen 2 contactos de señalización de final de carrera.
- Las versiones BFL...ST tienen clavijas precableadas para sistema SBS-Control.

BFN...T con termofusible BAE72-S



| Modelo | Tensión (V) | Mando | Grupo producto | Precio €/u. |
|-----------|-------------|--------|----------------|---------------|
| BFN24T | 24 | On-Off | E01 | 491,53 |
| BFN24T-ST | 24 | On-Off | E01 | 701,97 |
| BFN230T | 230 | On-Off | E01 | 525,41 |

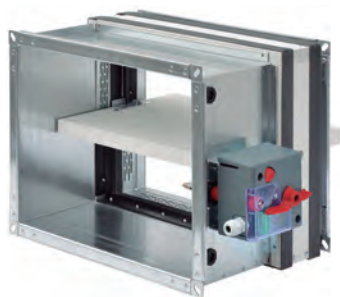
Nota

- Todos los BFN tienen 2 contactos de señalización de final de carrera.
- Las versiones BFN...ST tienen clavijas precableadas para sistema SBS-Control.



| Modelo | Descripción | Grupo producto | Precio €/u. |
|------------|--|----------------|---------------|
| BKN 230-24 | Unidades de alimentación y comunicación a instalar en la compuerta cortafuegos. Conexión al cuadro con línea de 2 polos. | E01 | 354,99 |
| BKS 241B | Unidad de control y comunicación para una compuerta a instalar en el cuadro de mando. Conexión al BKN con línea de 2 polos. | E01 | 695,60 |
| BKS 249A | Unidad de control y comunicación para grupos de hasta nueve compuertas, a instalar en el cuadro de mando. Conexión a cada BKN con línea de 2 polos. | E01 | 929,52 |

Serie MDF 25



CE

Características

Compuertas cortafuegos con marcado CE certificadas UNI EN 15650, clasificadas según UNI EN 13501-3 y ensayadas según UNI EN 1366/2. Se pueden instalar en conductos de ventilación y garantizan una rápida interrupción del flujo de aire en caso de incendio.

Accionado con electroimán o fusible térmico de rearme mecánico.

Estructura

Carcasa de acero galvanizado con corte térmico intermedio. Pala de fibrosilicato accionada sobre pivotes de rotación de acero alojados en casquillos de latón.

Provistas de brida externa para su conexión a los conductos y de dispositivo de desconexión térmica calibrado de serie a 72 °C.

Condiciones de funcionamiento

Aire limpio, velocidad máxima 10 m/s.

MDF 25

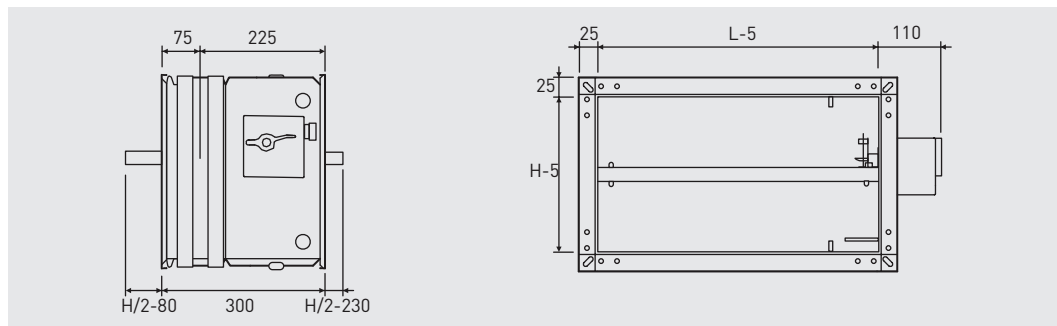
Con mando mecánico y predisposición para electroimán

| ↑ H (mm) | BASE B (mm) | | | | | | | | Grupo producto |
|-------------|-------------|--------|--------|--------|--------|--------|--------|--------|----------------|
| | 100 | 150 | 200 | 250 | 300 | 350 | 400 | 450 | |
| | €/u. | €/u. | €/u. | €/u. | €/u. | €/u. | €/u. | €/u. | |
| 200 | 280,38 | 284,66 | 288,99 | 294,58 | 300,12 | 305,85 | 311,39 | 316,98 | E01 |
| 250 | 287,64 | 292,05 | 296,48 | 302,75 | 308,96 | 315,06 | 321,15 | 327,03 | E01 |
| 300 | 294,73 | 299,20 | 303,78 | 310,90 | 317,85 | 324,26 | 330,69 | 337,28 | E01 |
| 350 | 301,97 | 306,55 | 311,24 | 319,06 | 326,70 | 333,65 | 340,41 | 347,35 | E01 |
| 400 | 309,22 | 313,94 | 318,70 | 327,03 | 335,54 | 342,85 | 350,15 | 357,60 | E01 |
| 450 | 318,14 | 322,99 | 327,91 | 336,94 | 345,79 | 353,78 | 361,60 | 369,61 | E01 |
| 500 | 327,26 | 332,23 | 337,28 | 346,83 | 356,21 | 364,57 | 373,09 | 381,58 | E01 |
| 550 | 336,19 | 341,30 | 346,49 | 356,55 | 366,62 | 375,51 | 384,52 | 393,57 | E01 |
| 600 | 345,28 | 350,55 | 355,85 | 366,46 | 377,05 | 386,44 | 395,80 | 405,39 | E01 |

| ↑ H (mm) | BASE B (mm) | | | | | | | Grupo producto |
|-------------|-------------|--------|--------|--------|--------|--------|--------|----------------|
| | 500 | 550 | 600 | 650 | 700 | 750 | 800 | |
| | €/u. | €/u. | €/u. | €/u. | €/u. | €/u. | €/u. | |
| 200 | 322,53 | 328,09 | 333,81 | 341,09 | 348,57 | 356,06 | 363,51 | E01 |
| 250 | 333,11 | 339,20 | 345,28 | 353,44 | 361,43 | 369,41 | 377,58 | E01 |
| 300 | 343,71 | 350,29 | 356,91 | 365,58 | 374,12 | 382,79 | 391,47 | E01 |
| 350 | 354,48 | 361,43 | 368,54 | 377,75 | 386,96 | 396,34 | 405,54 | E01 |
| 400 | 365,06 | 372,54 | 380,01 | 389,91 | 399,82 | 409,71 | 419,63 | E01 |
| 450 | 377,58 | 385,55 | 393,72 | 404,34 | 414,75 | 425,51 | 436,11 | E01 |
| 500 | 390,09 | 398,60 | 407,29 | 418,60 | 429,87 | 441,31 | 452,59 | E01 |
| 550 | 402,59 | 411,63 | 420,82 | 432,99 | 444,97 | 456,94 | 469,11 | E01 |
| 600 | 414,92 | 424,83 | 434,55 | 447,22 | 459,91 | 472,77 | 485,62 | E01 |

Nota: En el precio están incluidos 1 termofusible 72 °C y 2 microinterruptores.

DIMENSIONES (mm)



PRESTACIONES

Compuertas cortafuegos ensayadas según EN 1366-2 y clasificadas según EN 13501-3

| Clasificaciones de resistencia | | |
|--|---------------------------|---------------------------|
| | EI 120 S - 500 Pa | EI 90 S - 500 Pa |
| Pared de hormigón celular aireado espesor 100 mm (v _e i ↔ o) | de 100x200 a 800x600 SR/M | de 100x200 a 800x600 SR/M |

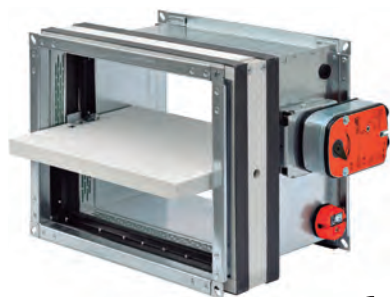
Leyenda

- v_e = instalación vertical
- h_o = instalación horizontal
- i ↔ o = lado expuesto al fuego indiferente
- Pa = Pascal
- E = integridad
- I = aislamiento térmico
- S = estanqueidad al humo
- M = mando de rearme manual
- SR = accionamiento con servomotor

ACCESORIOS

| | Modelo | Descripción | Grupo producto | Precio €/u. |
|--|---------|--|----------------|-------------|
| | FS3172 | Termofusible mecánico de cobre 72 °C | E01 | 20,37 |
| | FS31100 | Termofusible mecánico de cobre 95 °C | E01 | 22,65 |
| | ME33 | Electroimán con alimentación 220V AC normalmente excitado | E01 | 175,41 |
| | MD34 | Electroimán con alimentación 220V AC normalmente desexcitado | E01 | 233,85 |
| | ME35 | Electroimán con alimentación 24V DC normalmente excitado | E01 | 175,41 |
| | MD36 | Electroimán con alimentación 24V DC normalmente desexcitado | E01 | 233,84 |

Serie MDF 25 M



Características

Compuertas cortafuegos con marcado CE certificadas UNI EN 15650, clasificadas según UNI EN 13501-3 y ensayadas según UNI EN 1366/2. Se pueden instalar en conductos de ventilación y garantizan una rápida interrupción del flujo de aire en caso de incendio. Accionado mediante servomotor.

Estructura

Carcasa de acero galvanizado con corte térmico intermedio. Pala de fibrosilicato accionada sobre pivotes de rotación de acero alojados en casquillos de latón. Provistas de brida externa para su conexión a los conductos y de dispositivo de desconexión térmica calibrado de serie a 72 °C.

Condiciones de funcionamiento

Aire limpio, velocidad máxima 10 m/s.

MDF 25 M

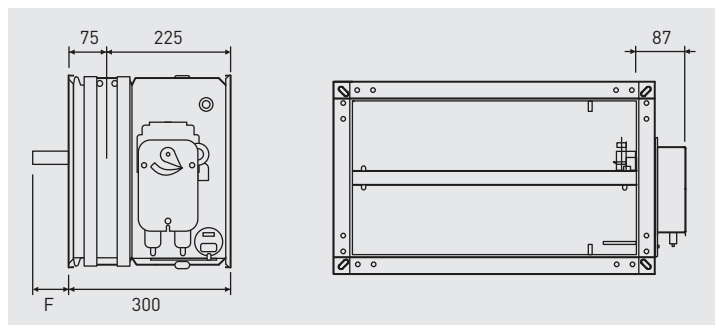
Con predisposición para servomotor

| ↑ H (mm) | BASE B (mm) | | | | | | | | Grupo producto |
|-------------|-------------|-------------|-------------|-------------|-------------|-------------|-------------|-------------|----------------|
| | 100 | 150 | 200 | 250 | 300 | 350 | 400 | 450 | |
| 200 | €/u. 238,33 | €/u. 241,96 | €/u. 245,66 | €/u. 250,37 | €/u. 255,09 | €/u. 259,98 | €/u. 264,70 | €/u. 269,41 | E01 |
| 250 | €/u. 244,49 | €/u. 248,22 | €/u. 252,00 | €/u. 257,32 | €/u. 262,63 | €/u. 267,81 | €/u. 272,96 | €/u. 277,99 | E01 |
| 300 | €/u. 250,51 | €/u. 254,35 | €/u. 258,21 | €/u. 264,26 | €/u. 270,16 | €/u. 275,63 | €/u. 281,07 | €/u. 286,70 | E01 |
| 350 | €/u. 256,66 | €/u. 260,58 | €/u. 264,54 | €/u. 271,19 | €/u. 277,70 | €/u. 283,58 | €/u. 289,34 | €/u. 295,25 | E01 |
| 400 | €/u. 262,84 | €/u. 266,83 | €/u. 270,91 | €/u. 277,99 | €/u. 285,22 | €/u. 291,41 | €/u. 297,63 | €/u. 303,95 | E01 |
| 450 | €/u. 270,45 | €/u. 274,54 | €/u. 278,73 | €/u. 286,38 | €/u. 293,92 | €/u. 300,71 | €/u. 307,37 | €/u. 314,14 | E01 |
| 500 | €/u. 278,16 | €/u. 282,41 | €/u. 286,70 | €/u. 294,80 | €/u. 302,78 | €/u. 309,87 | €/u. 317,11 | €/u. 324,35 | E01 |
| 550 | €/u. 285,76 | €/u. 290,11 | €/u. 294,52 | €/u. 303,08 | €/u. 311,63 | €/u. 319,17 | €/u. 326,87 | €/u. 334,51 | E01 |
| 600 | €/u. 293,48 | €/u. 297,95 | €/u. 302,50 | €/u. 311,51 | €/u. 320,49 | €/u. 328,44 | €/u. 336,46 | €/u. 344,57 | E01 |

| ↑ H (mm) | BASE B (mm) | | | | | | | Grupo producto |
|-------------|-------------|-------------|-------------|-------------|-------------|-------------|-------------|----------------|
| | 500 | 550 | 600 | 650 | 700 | 750 | 800 | |
| 200 | €/u. 274,13 | €/u. 278,87 | €/u. 283,76 | €/u. 289,94 | €/u. 296,29 | €/u. 302,64 | €/u. 308,98 | E01 |
| 250 | €/u. 283,15 | €/u. 288,33 | €/u. 293,48 | €/u. 300,44 | €/u. 307,23 | €/u. 314,00 | €/u. 320,94 | E01 |
| 300 | €/u. 292,13 | €/u. 297,75 | €/u. 303,37 | €/u. 310,74 | €/u. 317,99 | €/u. 325,37 | €/u. 332,76 | E01 |
| 350 | €/u. 301,30 | €/u. 307,23 | €/u. 313,27 | €/u. 321,09 | €/u. 328,93 | €/u. 336,90 | €/u. 344,72 | E01 |
| 400 | €/u. 310,31 | €/u. 316,65 | €/u. 323,01 | €/u. 331,43 | €/u. 339,85 | €/u. 348,27 | €/u. 356,69 | E01 |
| 450 | €/u. 320,94 | €/u. 327,73 | €/u. 334,66 | €/u. 343,68 | €/u. 352,54 | €/u. 361,70 | €/u. 370,70 | E01 |
| 500 | €/u. 331,58 | €/u. 338,83 | €/u. 346,20 | €/u. 355,78 | €/u. 365,39 | €/u. 375,14 | €/u. 384,71 | E01 |
| 550 | €/u. 342,20 | €/u. 349,89 | €/u. 357,72 | €/u. 368,05 | €/u. 378,22 | €/u. 388,40 | €/u. 398,74 | E01 |
| 600 | €/u. 352,68 | €/u. 361,09 | €/u. 369,37 | €/u. 380,15 | €/u. 390,92 | €/u. 401,87 | €/u. 412,78 | E01 |

Nota: En el precio están incluidos 1 termofusible 72 °C y 2 microinterruptores (incluidos en el servomotor).

DIMENSIONES (mm)



| |
|------------|
| BFL |
| BFN |

PRESTACIONES

Compuertas cortafuegos ensayadas según EN 1366-2 y clasificadas según EN 13501-3

| Clasificaciones de resistencia | | |
|---|---------------------------|---------------------------|
| | EI 120 S - 500 Pa | EI 90 S - 500 Pa |
| Pared de hormigón celular aireado espesor 100 mm ($v_e i \leftrightarrow o$) | de 100x200 a 800x600 SR/M | de 100x200 a 800x600 SR/M |

Leyenda

- v_e = instalación vertical
- h_o = instalación horizontal
- $i \leftrightarrow o$ = lado expuesto al fuego indiferente
- Pa = Pascal
- E = integridad
- I = aislamiento térmico
- S = estanqueidad al humo
- M = mando de rearme manual
- SR = accionamiento con servomotor

SERVOMOTORES

BFL...T con termofusible BAE72-S



| Modelo | Tensión (V) | Mando | Grupo producto | Precio €/u. |
|-----------|-------------|--------|----------------|-------------|
| BFL24T | 24 | On-Off | E01 | 423,74 |
| BFL24T-ST | 24 | On-Off | E01 | 612,82 |
| BFL230T | 230 | On-Off | E01 | 453,25 |

Nota
 - Todos los BFL tienen 2 contactos de señalización de final de carrera.
 - Las versiones BFL...ST tienen clavijas precableadas para sistema SBS-Control.

BFN...T con termofusible BAE72-S



| Modelo | Tensión (V) | Mando | Grupo producto | Precio €/u. |
|-----------|-------------|--------|----------------|-------------|
| BFN24T | 24 | On-Off | E01 | 491,53 |
| BFN24T-ST | 24 | On-Off | E01 | 701,97 |
| BFN230T | 230 | On-Off | E01 | 525,41 |

Nota
 - Todos los BFN tienen 2 contactos de señalización de final de carrera.
 - Las versiones BFN...ST tienen clavijas precableadas para sistema SBS-Control.



| Modelo | Descripción | Grupo producto | Precio €/u. |
|------------|--|----------------|-------------|
| BKN 230-24 | Unidades de alimentación y comunicación a instalar en la compuerta cortafuegos. Conexión al cuadro con línea de 2 polos. | E01 | 354,99 |
| BKS 241B | Unidad de control y comunicación para una compuerta a instalar en el cuadro de mando. Conexión al BKN con línea de 2 polos. | E01 | 695,60 |
| BKS 249A | Unidad de control y comunicación para grupos de hasta nueve compuertas, a instalar en el cuadro de mando. Conexión a cada BKN con línea de 2 polos. | E01 | 929,52 |

Serie MDF 30 EURO



Características

Compuertas cortafuegos con marcado CE certificadas UNI EN 15650, clasificadas según UNI EN 13501-3 y ensayadas según UNI EN 1366/2. Se pueden instalar en conductos de ventilación y garantizan una rápida interrupción del flujo de aire en caso de incendio. Pueden accionarse mediante servomotor, electroimán o fusible térmico de rearme mecánico.

Estructura

Doble carcasa de acero galvanizado de gran espesor con corte térmico intermedio de fibrosilicato. Pala de fibrosilicato accionada sobre pivotes de rotación de acero alojados en casquillos de latón. Provistas de brida externa para su conexión a los conductos y de dispositivo de desconexión térmica calibrado de serie a 72 °C.

Condiciones de funcionamiento

Aire limpio, velocidad máxima 10 m/s.

| ↑ H (mm) | BASE B (mm) | | | | | | | | | | | | | | Grupo producto |
|-------------|-------------|--------|--------|--------|--------|--------|--------|--------|--------|--------|--------|--------|--------|--------|----------------|
| | 200 | 250 | 300 | 350 | 400 | 450 | 500 | 550 | 600 | 650 | 700 | 750 | 800 | 850 | |
| 200 | 288,99 | 294,58 | 300,12 | 305,85 | 311,39 | 316,98 | 322,53 | 328,09 | 333,81 | 341,09 | 348,57 | 356,06 | 363,51 | 370,99 | E01 |
| 250 | 296,48 | 302,75 | 308,96 | 315,06 | 321,15 | 327,03 | 333,11 | 339,20 | 345,28 | 353,44 | 361,43 | 369,41 | 377,58 | 385,55 | E01 |
| 300 | 303,78 | 310,90 | 317,85 | 324,26 | 330,69 | 337,28 | 343,71 | 350,29 | 356,91 | 365,58 | 374,12 | 382,79 | 391,47 | 400,15 | E01 |
| 350 | 311,24 | 319,06 | 326,70 | 333,65 | 340,41 | 347,35 | 354,48 | 361,43 | 368,54 | 377,75 | 386,96 | 396,34 | 405,54 | 414,75 | E01 |
| 400 | 318,70 | 327,03 | 335,54 | 342,85 | 350,15 | 357,60 | 365,06 | 372,54 | 380,01 | 389,91 | 399,82 | 409,71 | 419,63 | 429,50 | E01 |
| 450 | 327,91 | 336,94 | 345,79 | 353,78 | 361,60 | 369,61 | 377,58 | 385,55 | 393,72 | 404,34 | 414,75 | 425,51 | 436,11 | 446,71 | E01 |
| 500 | 337,28 | 346,83 | 356,21 | 364,57 | 373,09 | 381,58 | 390,09 | 398,60 | 407,29 | 418,60 | 429,87 | 441,31 | 452,59 | 463,90 | E01 |
| 550 | 346,49 | 356,55 | 366,62 | 375,51 | 384,52 | 393,57 | 402,59 | 411,63 | 420,82 | 432,99 | 444,97 | 456,95 | 469,11 | 481,09 | E01 |
| 600 | 355,85 | 366,46 | 377,05 | 386,44 | 395,80 | 405,39 | 414,92 | 424,83 | 434,54 | 447,22 | 459,91 | 472,77 | 485,62 | 498,30 | E01 |
| 650 | 366,99 | 377,93 | 388,87 | 398,94 | 409,02 | 419,26 | 429,34 | 439,76 | 450,17 | 463,73 | 477,27 | 490,98 | 504,54 | 518,08 | E01 |
| 700 | 378,09 | 389,57 | 400,86 | 411,48 | 422,21 | 432,99 | 443,73 | 454,69 | 465,80 | 480,22 | 494,63 | 509,06 | 523,46 | 538,06 | E01 |
| 750 | 389,22 | 401,03 | 412,66 | 424,13 | 435,42 | 446,71 | 458,16 | 469,81 | 481,42 | 496,72 | 512,01 | 527,30 | 542,56 | 557,85 | E01 |
| 800 | 400,51 | 412,50 | 424,64 | 436,61 | 448,62 | 460,62 | 472,58 | 484,73 | 497,05 | 513,04 | 529,20 | 545,34 | 561,50 | 577,64 | E01 |

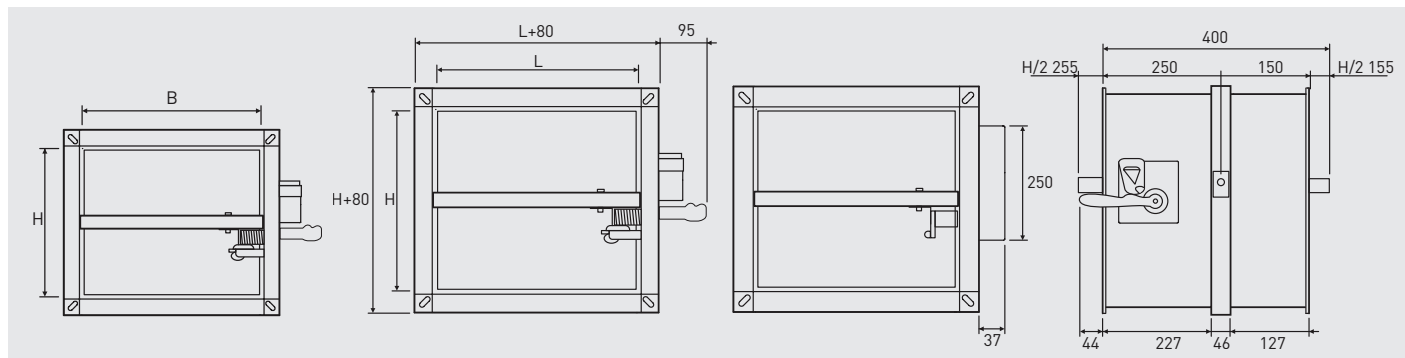
| ↑ H (mm) | BASE B (mm) | | | | | | | | | | | | | | Grupo producto |
|-------------|-------------|--------|--------|--------|--------|--------|--------|--------|--------|--------|--------|--------|--------|-----|----------------|
| | 900 | 950 | 1000 | 1050 | 1100 | 1150 | 1200 | 1250 | 1300 | 1350 | 1400 | 1450 | 1500 | | |
| 200 | 378,27 | 385,75 | 393,20 | 400,67 | 409,88 | 419,09 | 428,46 | 437,68 | 446,87 | 456,26 | 465,45 | 474,67 | 484,05 | E01 | |
| 250 | 393,57 | 401,71 | 409,71 | 418,73 | 427,80 | 437,84 | 447,74 | 457,82 | 467,89 | 477,96 | 487,86 | 497,94 | 508,01 | E01 | |
| 300 | 408,85 | 417,53 | 426,20 | 435,92 | 445,66 | 456,44 | 467,20 | 477,96 | 488,74 | 499,68 | 510,45 | 521,21 | 531,98 | E01 | |
| 350 | 424,13 | 433,34 | 442,71 | 453,14 | 463,37 | 475,00 | 486,67 | 498,11 | 509,73 | 521,39 | 532,87 | 544,50 | 556,13 | E01 | |
| 400 | 439,23 | 449,32 | 459,19 | 470,33 | 481,26 | 493,61 | 505,93 | 518,27 | 530,76 | 543,11 | 555,43 | 567,76 | 580,10 | E01 | |
| 450 | 457,30 | 467,89 | 478,66 | 490,47 | 502,28 | 515,48 | 528,85 | 542,07 | 555,43 | 568,62 | 581,84 | 595,02 | 608,40 | E01 | |
| 500 | 475,19 | 486,67 | 497,94 | 510,62 | 523,29 | 537,53 | 551,61 | 565,85 | 579,90 | 594,16 | 608,23 | 622,46 | 636,70 | E01 | |
| 550 | 493,06 | 505,23 | 517,38 | 530,94 | 544,31 | 559,42 | 574,54 | 589,46 | 604,61 | 619,68 | 634,63 | 649,72 | 664,86 | E01 | |
| 600 | 511,15 | 523,98 | 536,83 | 551,07 | 565,51 | 581,29 | 597,28 | 613,26 | 629,26 | 645,22 | 661,19 | 677,23 | 693,15 | E01 | |
| 650 | 531,82 | 545,34 | 559,08 | 574,37 | 589,65 | 606,48 | 623,52 | 640,53 | 657,72 | 674,56 | 691,60 | 708,61 | 725,63 | E01 | |
| 700 | 552,47 | 566,88 | 581,29 | 597,63 | 613,78 | 631,83 | 649,72 | 667,97 | 686,04 | 703,92 | 721,99 | 740,06 | 758,29 | E01 | |
| 750 | 572,98 | 588,42 | 603,71 | 620,74 | 637,92 | 657,04 | 675,95 | 695,24 | 714,33 | 733,45 | 752,37 | 771,49 | 790,76 | E01 | |
| 800 | 593,62 | 609,79 | 625,93 | 644,01 | 662,07 | 682,21 | 702,20 | 722,50 | 742,82 | 762,79 | 782,77 | 802,92 | 823,24 | E01 | |



Recomendado
MDF 25 - MDF 25 L

| |
|------------|
| BFN |
| BF |

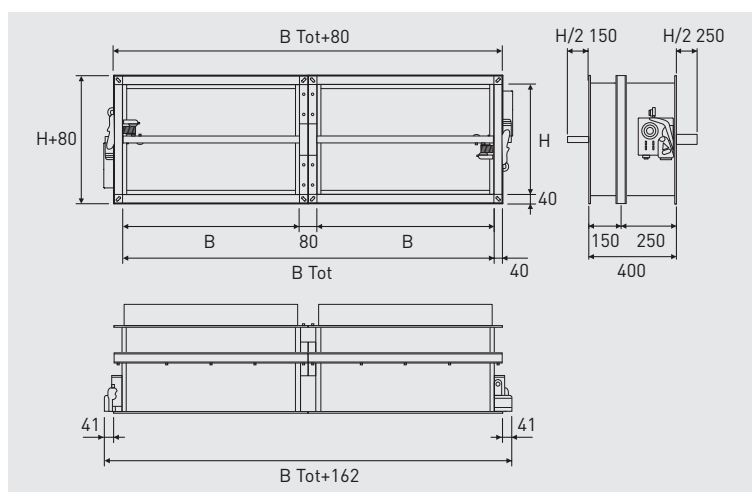
DIMENSIONES (mm)



DIMENSIÓN MÁXIMA

Base: 2480 mm (n.º 2 compuertas base 1200 mm paso de aire)

Altura: 800 mm



Las compuertas para esta particular instalación están provistas de:

- Elementos termoexpansivos montados en fábrica (hay que indicar esta modalidad de instalación en el pedido).
- Kits de escuadras de bloqueo KBTR (n.º 4 escuadras y n.º 16 tornillos autoperforantes) que deben encargarse junto con las compuertas. Necesario 1 kit para cada par de compuertas acopladas.
- Kit de escuadras de fijación en pared KS3 (n.º 4 escuadras) que deben encargarse junto con las compuertas. Necesario 1 kit para cada par de compuertas acopladas.

PRESTACIONES

Compuertas cortafuegos ensayadas según EN 1366-2 y clasificadas según EN 13501-3

| Clasificaciones de resistencia | | |
|--|----------------------------|----------------------------|
| | EI 120 S - 300 Pa | EI 90 S - 300 Pa |
| Pared de hormigón celular aireado espesor 150 mm (v _e i ↔ o) | de 200x200 a 1200x800 SR/M | de 200x200 a 1200x800 SR/M |

Leyenda

- v_e = instalación vertical
- h_e = instalación horizontal
- i ↔ o = lado expuesto al fuego indiferente
- Pa = Pascal
- E = integridad
- I = aislamiento térmico
- S = estanqueidad al humo
- M = mando de rearme manual
- SR = accionamiento con servomotor

Para la instalación en batería, añadir el 20 % del precio de cada compuerta + el precio de 1 KITKBTR + el precio de 1 KITKS3.

| Código | Modelo | Descripción | Grupo producto | Precio €/u. |
|----------------|---------|---|----------------|-------------|
| (N) 5416065500 | KITKBTR | Kit escuadras de bloqueo (n.º 4 escuadras y n.º 16 tornillos autoperforantes) | E01 | 26,29 |
| (N) 5416065600 | KITKS3 | Kit escuadras de fijación en pared (n.º 4 escuadras) | E01 | 23,49 |

(N) NOVEDAD

ACCESORIOS

| | Modelo | Descripción | Grupo producto | Precio €/u. |
|---|---------|--|----------------|-------------|
|  | FS3172 | Termofusible mecánico de cobre 72 °C | E01 | 20,37 |
|  | FS31100 | Termofusible mecánico de cobre 95 °C | E01 | 22,65 |
|  | ME40 | Microinterruptor para señalización compuerta "cerrada" o "abierta" | E01 | 40,60 |
|  | ME33 | Electroimán con alimentación 220V AC normalmente excitado | E01 | 175,41 |
|  | MD34 | Electroimán con alimentación 220V AC normalmente desexcitado | E01 | 233,85 |
|  | ME35 | Electroimán con alimentación 24V DC normalmente excitado | E01 | 175,41 |
|  | MD36 | Electroimán con alimentación 24V DC normalmente desexcitado | E01 | 233,84 |
|  | KS1 | Kit estribos para instalación en forjado (4 uds.) | E01 | 29,43 |
|  | KS2 | Kit estribos para instalación en pared ligera (4 uds.) | E01 | 18,12 |

PRESTACIONES

Compuertas cortafuegos ensayadas según EN 1366-2 y clasificadas según EN 13501-3

| | Clasificaciones de resistencia | | |
|--|--------------------------------|----------------------------|----------------------------|
| | EI 180 S - 300 Pa | EI 120 S - 300 Pa | EI 90 S - 300 Pa |
| Pared de hormigón celular aireado espesor 120 mm ($v_e i \leftrightarrow o$) | | de 200x200 a 1500x800 SR/M | de 200x200 a 1500x800 SR/M |
| Placas de cartón-yeso tipo F espesor 125 mm * ($v_e i \leftrightarrow o$) es necesario utilizar el kit de escuadras KS2 | | de 200x200 a 1500x800 SR/M | de 200x200 a 1500x800 SR/M |
| Forjado de hormigón celular aireado espesor 150 mm ($h_o i \leftrightarrow o$) es necesario utilizar el kit de escuadras KS1 | de 200x200 a 1200x800 SR/M | de 200x200 a 1500x800 SR/M | de 200x200 a 1500x800 SR/M |

* Es necesario usar la junta termoexpandente LFC

Leyenda

- v_e = instalación vertical
- h_o = instalación horizontal
- $i \leftrightarrow o$ = lado expuesto al fuego indiferente
- Pa = Pascal
- E = integridad
- I = aislamiento térmico
- S = estanqueidad al humo
- M = mando de rearme manual
- SR = accionamiento con servomotor

SERVOMOTORES

BFN...T con termofusible BAE72-S



| Modelo | Tensión (V) | Mando | Grupo producto | Precio €/u. |
|-----------|-------------|--------|----------------|---------------|
| BFN24T | 24 | On-Off | E01 | 491,53 |
| BFN24T-ST | 24 | On-Off | E01 | 701,97 |
| BFN230T | 230 | On-Off | E01 | 525,41 |

Nota

- Todos los BFN tienen 2 contactos de señalización de final de carrera.
- Las versiones BFN...ST tienen clavijas precableadas para sistema SBS-Control.

BF...T con termofusible BAE72-S



| Modelo | Tensión (V) | Mando | Grupo producto | Precio €/u. |
|----------|-------------|--------|----------------|---------------|
| BF24T | 24 | On-Off | E01 | 570,63 |
| BF24T-ST | 24 | On-Off | E01 | 765,37 |
| BF230T | 230 | On-Off | E01 | 638,57 |

Nota

- Todos los BF tienen 2 contactos de señalización de final de carrera.
- Las versiones BF...ST tienen clavijas precableadas para sistema SBS-Control.



| Modelo | Descripción | Grupo producto | Precio €/u. |
|------------|--|----------------|---------------|
| BKN 230-24 | Unidades de alimentación y comunicación a instalar en la compuerta cortafuegos. Conexión al cuadro con línea de 2 polos. | E01 | 354,99 |
| BKS 241B | Unidad de control y comunicación para una compuerta a instalar en el cuadro de mando. Conexión al BKN con línea de 2 polos. | E01 | 695,60 |
| BKS 249A | Unidad de control y comunicación para grupos de hasta nueve compuertas, a instalar en el cuadro de mando. Conexión a cada BKN con línea de 2 polos. | E01 | 929,52 |

Serie BTT 25



Características

Compuertas cortafuegos con marcado CE certificadas UNI EN 15650, clasificadas según UNI EN 13501-3 y ensayadas según UNI EN 1366/2. Se pueden instalar en conductos de ventilación y garantizan una rápida interrupción del flujo de aire en caso de incendio. **Accionado con electroimán o fusible térmico de rearme mecánico.**

Estructura


Carcasa de acero galvanizado con corte térmico intermedio. Pala de fibrosilicato accionada sobre pivotes de rotación de acero alojados en casquillos de latón. Provistas de conexión a los conductos de encaje con dispositivo de desconexión térmica calibrado de serie a 72 °C.

Condiciones de funcionamiento

Aire limpio, velocidad máxima 10 m/s.

BTT 25

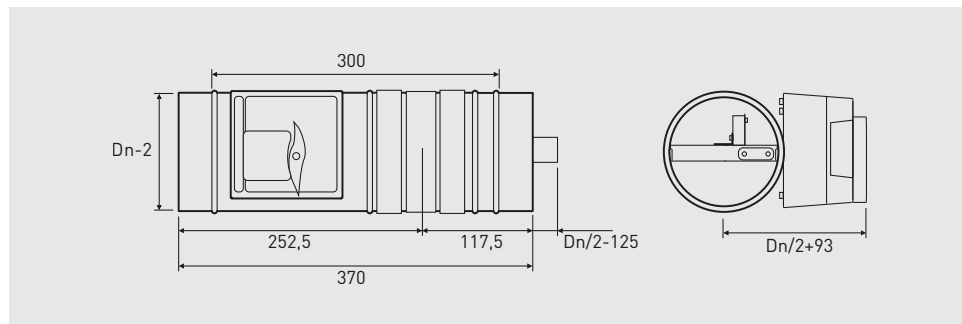
Con mando mecánico y predisposición para electroimán

| Modelo |  (mm) | Grupo producto | Precio €/u. |
|-----------------|--|----------------|-------------|
| BTT 25 DIAM.100 | 100 | E01 | 246,86 |
| BTT 25 DIAM.125 | 125 | E01 | 249,45 |
| BTT 25 DIAM.150 | 150 | E01 | 252,07 |
| BTT 25 DIAM.160 | 160 | E01 | 254,65 |
| BTT 25 DIAM.200 | 200 | E01 | 259,88 |
| BTT 25 DIAM.250 | 250 | E01 | 278,14 |
| BTT 25 DIAM.300 | 300 | E01 | 296,42 |
| BTT 25 DIAM.315 | 315 | E01 | 309,51 |

Nota: En el precio están incluidos 1 termofusible 72 °C y 2 microinterruptores. A petición, compuertas realizadas con brida. Versión con juntas para conexión a los conductos +3%.



DIMENSIONES (mm)



ACCESORIOS

| | Modelo | Descripción | Grupo producto | Precio €/u. |
|--|---------|--|----------------|-------------|
| | FS3172 | Termofusible mecánico de cobre 72 °C | E01 | 20,37 |
| | FS31100 | Termofusible mecánico de cobre 95 °C | E01 | 22,65 |
| | ME33 | Electroimán con alimentación 220V AC normalmente excitado | E01 | 175,41 |
| | MD34 | Electroimán con alimentación 220V AC normalmente desexcitado | E01 | 233,85 |
| | ME35 | Electroimán con alimentación 24V DC normalmente excitado | E01 | 175,41 |
| | MD36 | Electroimán con alimentación 24V DC normalmente desexcitado | E01 | 233,84 |

PRESTACIONES

Compuertas cortafuegos ensayadas según EN 1366-2 y clasificadas según EN 13501-3

| | Clasificaciones de resistencia | | |
|---|--------------------------------|-------------------------|-------------------------|
| | EI 120 S - 500 Pa | EI 90 S - 500 Pa | EI 60 S - 500 Pa |
| Pared de hormigón celular aireado espesor 100 mm ($v_e i \leftrightarrow o$) | de DN 100 a DN 315 SR/M | de DN 100 a DN 315 SR/M | de DN 100 a DN 315 SR/M |
| Placas de cartón-yeso tipo F espesor 100 mm ($v_e i \leftrightarrow o$) | de DN 100 a DN 315 SR/M | de DN 100 a DN 315 SR/M | de DN 100 a DN 315 SR/M |
| Forjado de hormigón celular aireado espesor 150 mm ($h_o i \leftrightarrow o$) | de DN 100 a DN 315 SR/M | de DN 100 a DN 315 SR/M | de DN 100 a DN 315 SR/M |

* Es necesario usar la junta termoexpandente LFC

Leyenda

- v_e = instalación vertical
- h_o = instalación horizontal
- $i \leftrightarrow o$ = lado expuesto al fuego indiferente
- Pa = Pascal
- E = integridad
- I = aislamiento térmico
- S = estanqueidad al humo
- M = mando de rearme manual
- SR = accionamiento con servomotor

Serie BTT 25 M



Características

Compuertas cortafuegos con marcado CE certificadas UNI EN 15650, clasificadas según UNI EN 13501-3 y ensayadas según UNI EN 1366/2. Se pueden instalar en conductos de ventilación y garantizan una rápida interrupción del flujo de aire en caso de incendio.

Accionado mediante servomotor.

Estructura

Carcasa de acero galvanizado con corte térmico intermedio. Pala de fibrosilicato accionada sobre pivotes de rotación de acero alojados en casquillos de latón.


Provistas de conexión a los conductos de encaje con dispositivo de desconexión térmica calibrado de serie a 72 °C.

Condiciones de funcionamiento

Aire limpio, velocidad máxima 10 m/s.

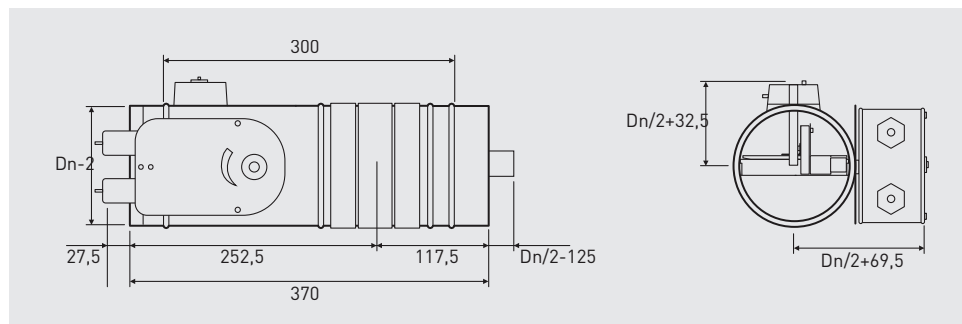
BTT 25 M

Con mando mecánico y predisposición para electroimán

| Modelo |  (mm) | Grupo producto | Precio €/u. |
|-------------------|--|----------------|---------------|
| BTT 25 M DIAM.100 | 100 | E01 | 180,47 |
| BTT 25 M DIAM.125 | 125 | E01 | 189,69 |
| BTT 25 M DIAM.150 | 150 | E01 | 196,63 |
| BTT 25 M DIAM.160 | 160 | E01 | 216,45 |
| BTT 25 M DIAM.200 | 200 | E01 | 220,88 |
| BTT 25 M DIAM.250 | 250 | E01 | 236,42 |
| BTT 25 M DIAM.300 | 300 | E01 | 251,96 |
| BTT 25 M DIAM.315 | 315 | E01 | 263,08 |

Nota: En el precio están incluidos 1 termofusible 72 °C y 2 microinterruptores (incluidos en el servomotor).

DIMENSIONES (mm)



SERVOMOTORES

BFL...-T con termofusible BAE72-S



| Modelo | Tensión (V) | Mando | Grupo producto | Precio €/u. |
|-----------|-------------|--------|----------------|---------------|
| BFL24T | 24 | On-Off | E01 | 423,74 |
| BFL24T-ST | 24 | On-Off | E01 | 612,82 |
| BFL230T | 230 | On-Off | E01 | 453,25 |

Nota

- Todos los BFL tienen 2 contactos de señalización de final de carrera.
- Las versiones BFL...ST tienen clavijas precableadas para sistema SBS-Control.



| Modelo | Descripción | Grupo producto | Precio €/u. |
|------------|--|----------------|---------------|
| BKN 230-24 | Unidades de alimentación y comunicación a instalar en la compuerta cortafuegos. Conexión al cuadro con línea de 2 polos. | E01 | 354,99 |
| BKS 241B | Unidad de control y comunicación para una compuerta a instalar en el cuadro de mando. Conexión al BKN con línea de 2 polos. | E01 | 695,60 |
| BKS 249A | Unidad de control y comunicación para grupos de hasta nueve compuertas, a instalar en el cuadro de mando. Conexión a cada BKN con línea de 2 polos. | E01 | 929,52 |

PRESTACIONES

Compuertas cortafuegos ensayadas según EN 1366-2 y clasificadas según EN 13501-3

| | Clasificaciones de resistencia | | |
|---|--------------------------------|-------------------------|-------------------------|
| | EI 120 S - 500 Pa | EI 90 S - 500 Pa | EI 60 S - 500 Pa |
| Pared de hormigón celular aireado espesor 100 mm ($v_e i \leftrightarrow o$) | de DN 100 a DN 315 SR/M | de DN 100 a DN 315 SR/M | de DN 100 a DN 315 SR/M |
| Placas de cartón-yeso tipo F espesor 100 mm ($v_e i \leftrightarrow o$) | de DN 100 a DN 315 SR/M | de DN 100 a DN 315 SR/M | de DN 100 a DN 315 SR/M |
| Forjado de hormigón celular aireado espesor 150 mm ($h_o i \leftrightarrow o$) | de DN 100 a DN 315 SR/M | de DN 100 a DN 315 SR/M | de DN 100 a DN 315 SR/M |

Leyenda

- v_e = instalación vertical
- h_o = instalación horizontal
- $i \leftrightarrow o$ = lado expuesto al fuego indiferente
- Pa = Pascal
- E = integridad
- I = aislamiento térmico
- S = estanqueidad al humo
- M = mando de rearme manual
- SR = accionamiento con servomotor

Serie BTT 30 EURO



Características

Compuertas cortafuegos con marcado CE certificadas UNI EN 15650, clasificadas según UNI EN 13501-3 y ensayadas según UNI EN 1366/2. Se pueden instalar en conductos de ventilación y garantizan una rápida interrupción del flujo de aire en caso de incendio. Pueden accionarse mediante servomotor, electroimán o fusible térmico de rearme mecánico.

Estructura


Carcasa de acero galvanizado de gran espesor con corte térmico intermedio. Pala de fibrosilicato accionada sobre pivotes de rotación de acero alojados en casquillos de latón. Provistas de conexión a los conductos de encaje con dispositivo de desconexión térmica calibrado de serie a 72 °C.

Condiciones de funcionamiento

Aire limpio, velocidad máxima 10 m/s.

BTT 30 EURO

Con mando mecánico y predisposición para electroimán

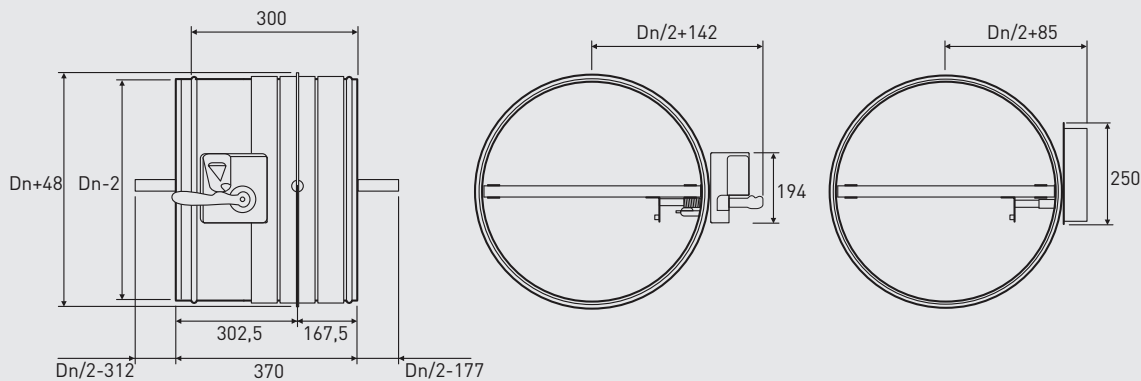
| Modelo |  (mm) | Grupo producto | Precio €/u. |
|-------------------------|---|----------------|-------------|
| BTT 30 EURO CE DIAM.200 | 200 | E01 | 305,73 |
| BTT 30 EURO CE DIAM.250 | 250 | E01 | 327,24 |
| BTT 30 EURO CE DIAM.300 | 300 | E01 | 348,72 |
| BTT 30 EURO CE DIAM.315 | 315 | E01 | 364,14 |
| BTT 30 EURO CE DIAM.355 | 355 | E01 | 388,17 |
| BTT 30 EURO CE DIAM.400 | 400 | E01 | 424,21 |
| BTT 30 EURO CE DIAM.450 | 450 | E01 | 458,60 |
| BTT 30 EURO CE DIAM.500 | 500 | E01 | 494,13 |
| BTT 30 EURO CE DIAM.560 | 560 | E01 | 544,41 |
| BTT 30 EURO CE DIAM.600 | 600 | E01 | 579,45 |
| BTT 30 EURO CE DIAM.630 | 630 | E01 | 601,45 |
| BTT 30 EURO CE DIAM.710 | 710 | E01 | 664,93 |
| BTT 30 EURO CE DIAM.800 | 800 | E01 | 740,12 |


Recomendado
BTT 25

BFL
BFN

Nota: En el precio están incluidos 1 termofusible 72 °C y 1 microinterruptor. A petición, compuertas realizadas con brida. Versión con juntas para conexión a los conductos +3%.

DIMENSIONES (mm)



ACCESORIOS

| | Modelo | Descripción | Grupo producto | Precio €/u. |
|---|---------|--|----------------|-------------|
|  | FS3172 | Termofusible mecánico de cobre 72 °C | E01 | 20,37 |
|  | FS31100 | Termofusible mecánico de cobre 95 °C | E01 | 22,65 |
|  | ME40 | Microinterruptor para señalización compuerta "cerrada" o "abierta" | E01 | 40,60 |
|  | ME33 | Electroimán con alimentación 220V AC normalmente excitado | E01 | 175,41 |
|  | MD34 | Electroimán con alimentación 220V AC normalmente desexcitado | E01 | 233,85 |
|  | ME35 | Electroimán con alimentación 24V DC normalmente excitado | E01 | 175,41 |
|  | MD36 | Electroimán con alimentación 24V DC normalmente desexcitado | E01 | 233,84 |
|  | KS1 | Kit estribos para instalación en forjado (4 uds.) | E01 | 29,43 |
|  | KS2 | Kit estribos para instalación en pared ligera (4 uds.) | E01 | 18,12 |

PRESTACIONES

Compuertas cortafuegos ensayadas según EN 1366-2 y clasificadas según EN 13501-3

| Clasificaciones de resistencia | |
|--|--------------------------|
| | EI 120 S - 500 Pa |
| Pared revocada de ladrillos macizos espesor 150 mm (v _e i ↔ o) | de DN 200 a DN 800 SR/M |
| Forjado de hormigón armado espesor 150 mm (h _o i ↔ o) es necesario utilizar el kit de escuadras KS1 | de DN 200 a DN 800 SR/M |
| Placas de cartón-yeso tipo F espesor 100 mm (v _e i ↔ o) es necesario utilizar el kit de escuadras KS2 | de DN 200 a DN 630 SR/M |

Leyenda

- v_e = instalación vertical
- h_o = instalación horizontal
- i ↔ o = lado expuesto al fuego indiferente
- Pa = Pascal
- E = integridad
- I = aislamiento térmico
- S = estanqueidad al humo
- M = mando de rearme manual
- SR = accionamiento con servomotor

SERVOMOTORES

BFL...-T con termofusible BAE72-S



| Modelo | Tensión (V) | Mando | Grupo producto | Precio €/u. |
|-----------|-------------|--------|----------------|---------------|
| BFL24T | 24 | On-Off | E01 | 423,74 |
| BFL24T-ST | 24 | On-Off | E01 | 612,82 |
| BFL230T | 230 | On-Off | E01 | 453,25 |

Nota

- Todos los BFL tienen 2 contactos de señalización de final de carrera.
- Las versiones BFL...ST tienen clavijas precableadas para sistema SBS-Control.

BFN...-T con termofusible BAE72-S



| Modelo | Tensión (V) | Mando | Grupo producto | Precio €/u. |
|-----------|-------------|--------|----------------|---------------|
| BFN24T | 24 | On-Off | E01 | 491,53 |
| BFN24T-ST | 24 | On-Off | E01 | 701,97 |
| BFN230T | 230 | On-Off | E01 | 525,41 |

Nota

- Todos los BFN tienen 2 contactos de señalización de final de carrera.
- Las versiones BFN...ST tienen clavijas precableadas para sistema SBS-Control.



| Modelo | Descripción | Grupo producto | Precio €/u. |
|------------|--|----------------|---------------|
| BKN 230-24 | Unidades de alimentación y comunicación a instalar en la compuerta cortafuegos. Conexión al cuadro con línea de 2 polos. | E01 | 354,99 |
| BKS 241B | Unidad de control y comunicación para una compuerta a instalar en el cuadro de mando. Conexión al BKN con línea de 2 polos. | E01 | 695,60 |
| BKS 249A | Unidad de control y comunicación para grupos de hasta nueve compuertas, a instalar en el cuadro de mando. Conexión a cada BKN con línea de 2 polos. | E01 | 929,52 |

Serie BRG



Características

Rejilla cortafuegos adecuada para instalación interna.
Certificada según EN 1364-5-2017 y EN 1363-1:2012.
Rejilla con amplia superficie de paso de aire.

Estructura

Realización con doble rejilla exterior de malla cuadrada de aluminio con marco y elemento interno intumescente y termoexpansivo.

Soporte mínimo de instalación

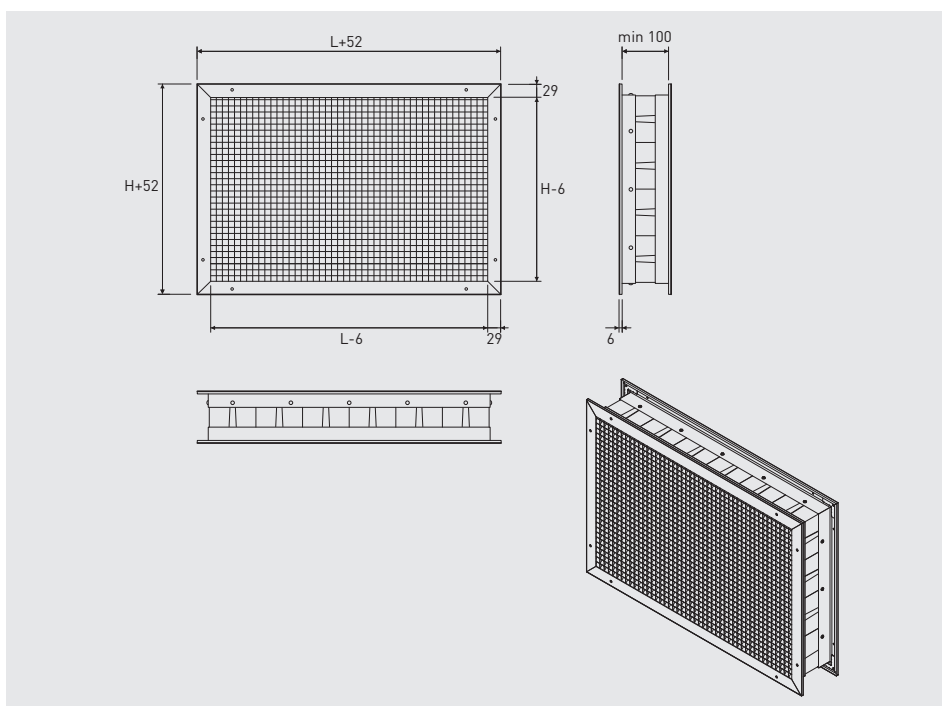
Albañilería de hormigón aireado de 100 mm de espesor y 550 kg/m³ de densidad.

| Altura (mm) | BASE B (mm) | | | | | | | | Grupo producto |
|-------------|-------------|--------|----------|----------|----------|----------|----------|----------|----------------|
| | 100 | 200 | 300 | 400 | 500 | 600 | 700 | 800 | |
| | €/u. | €/u. | €/u. | €/u. | €/u. | €/u. | €/u. | €/u. | |
| 200 | 137,28 | 280,33 | 409,59 | 540,77 | 670,14 | 797,66 | 925,18 | 1.052,70 | E01 |
| 300 | 213,81 | 409,59 | 603,61 | 797,66 | 984,43 | 1.183,89 | 1.378,78 | 1.573,67 | E01 |
| 400 | 276,72 | 533,38 | 787,85 | 1.042,26 | 1.309,59 | 1.568,28 | 1.826,96 | 2.085,64 | E01 |
| 500 | 346,79 | 670,14 | 984,43 | 1.309,59 | 1.631,15 | 1.959,91 | 2.283,25 | 2.606,57 | E01 |
| 600 | 413,23 | 797,66 | 1.184,01 | 1.568,28 | 1.959,91 | 2.338,90 | 2.726,03 | 3.113,16 | E01 |

PRESTACIONES

| Dimensiones | Presión | Integridad | Aislamiento térmico |
|--------------|---------|------------|---------------------|
| 100 x 100 mm | - | E 120 | I 120 |
| 400 x 400 mm | - | E 120 | I 120 |
| 800 x 600 mm | - | E 60 | I 60 |
| 100 x 100 mm | + | E 90 | I 60 |
| 400 x 400 mm | + | E 120 | I 60 |
| 800 x 600 mm | + | E 120 | I 90 |

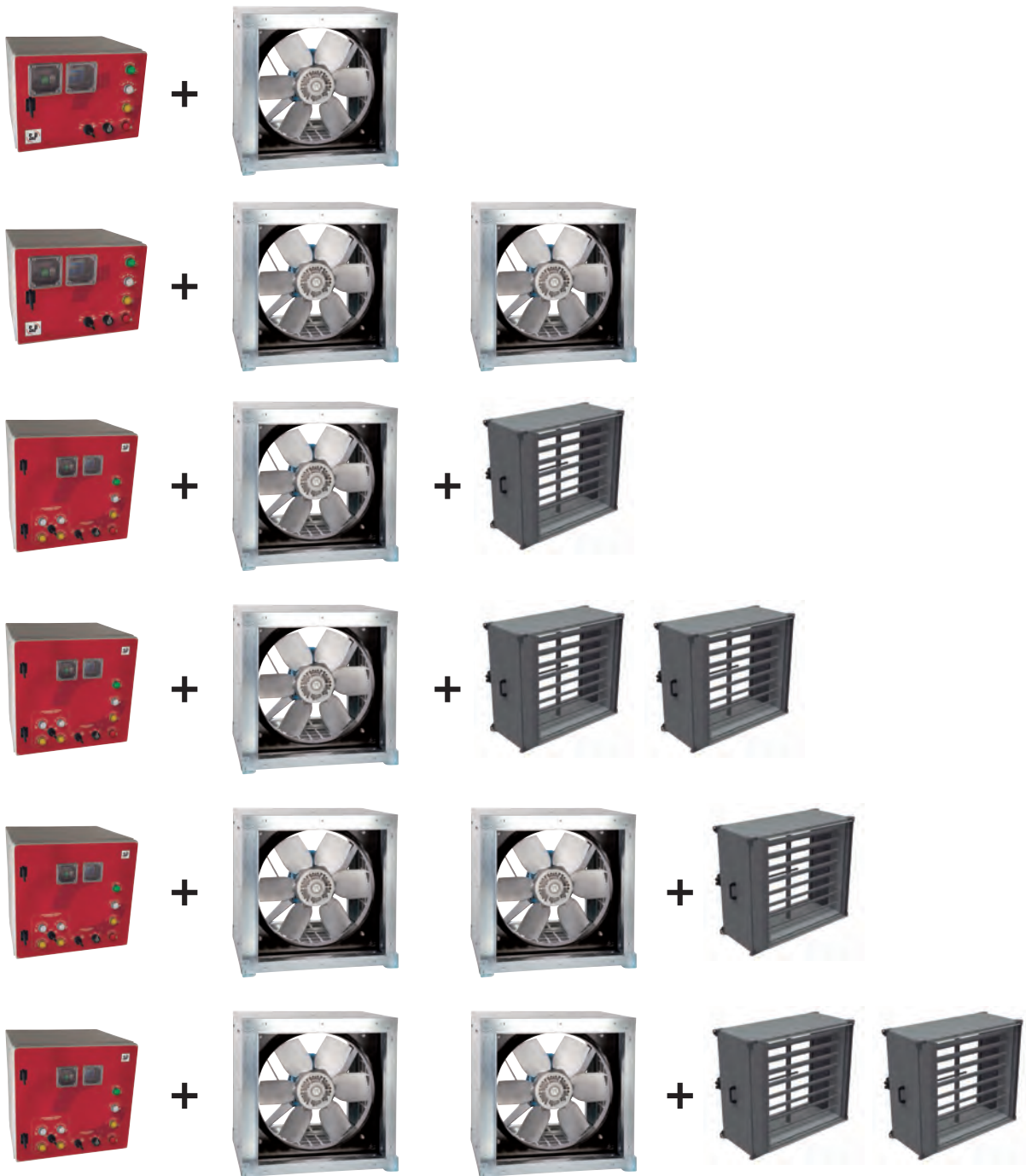
DIMENSIONES (mm)







263 Soluciones para Sobrepresión de Vestíbulos



264 Soluciones para Sobrepresión de Escaleras

La norma UNE 12101-6 establece los criterios de seguridad mediante presurización o despresurización según la hipótesis, tipología y actividad dentro de los edificios. Los sistemas de sobrepresión de escaleras, mediante la aportación de aire limpio en las zonas de evacuación, (escaleras, vestíbulos, zonas de confinamiento, pasillos, etc.), garantizan un grado de seguridad para las personas durante la evacuación.

La norma clasifica los edificios según 6 clases o tipologías:

SISTEMA CLASE A

Para medios de escape. Defensa in situ.

SISTEMA CLASE B

Para medios de escape y lucha contra incendios.

SISTEMA CLASE C

Para medios de escape mediante evacuación simultánea.

SISTEMA CLASE D

Para medios de escape. Riesgo de personas dormidas.

SISTEMA CLASE E

Para medios de escape, con evacuación por fases.

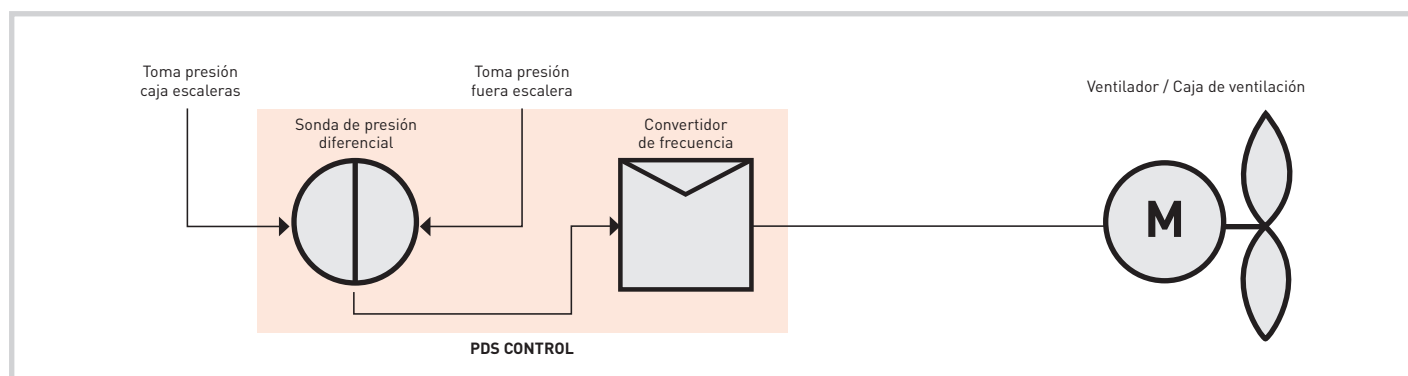
SISTEMA CLASE F

Sistemas contra incendios y medios de escape.

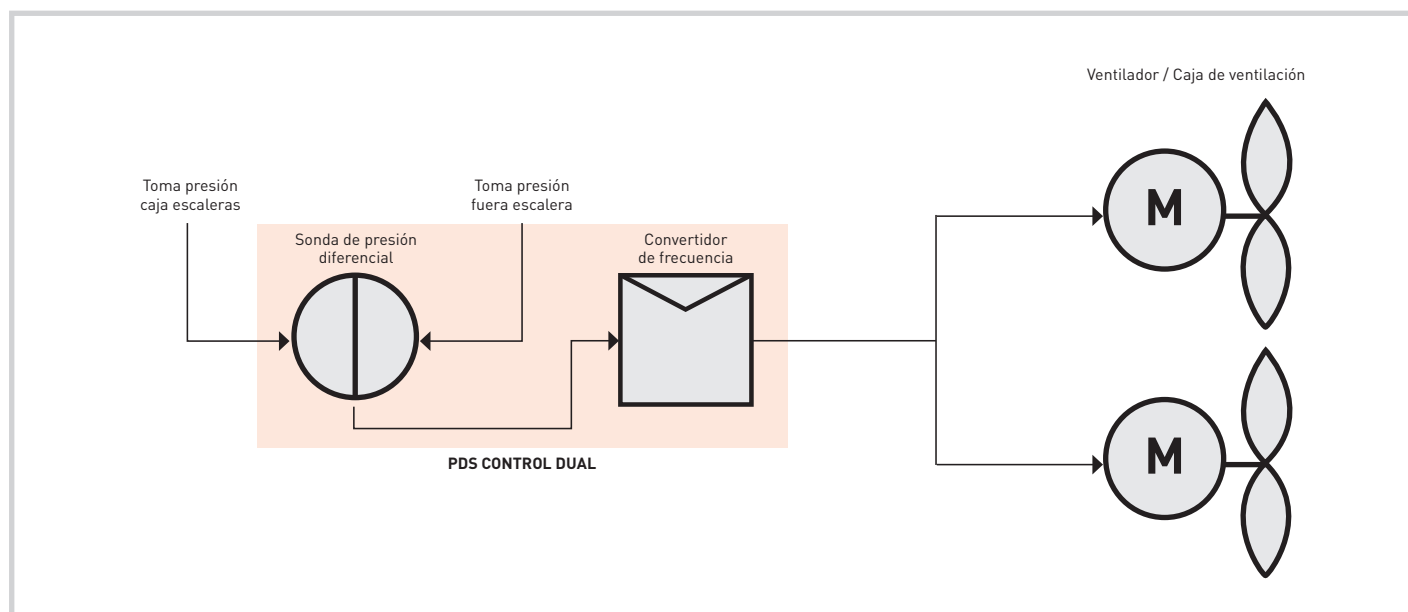
Dependiendo de la tipología del edificio, la capacidad del ventilador variará tanto en caudal como en presión, ajustándose en cada momento según las necesidades del sistema.

Cualquiera de las soluciones aportadas, tanto a nivel de regulación mediante tensión variable (gama CONTROL ECOWATT), como a través de variación de frecuencia (PDS CONTROL), garantizan las zonas limpias de humos y la apertura de las puertas de evacuación.

Sistema compuesto por sonda de presión, convertidor de frecuencia y un ventilador.



Sistema compuesto por sonda de presión, convertidor de frecuencia y dos ventiladores.



SOLUCIONES para SOBREPRESIÓN de VESTÍBULOS

CONTROL ECOWATT

Sistema que supone la solución más simple y efectiva garantizando un funcionamiento constante durante el tiempo de evacuación. La sonda de presión diferencial TDP-S convierte la presión del sistema en miliamperios o tensión de referencia 0-10V. Dicha señal la recibe el control ECOWATT, realizando la

modulación por tensión, ajustando el caudal de la zona a proteger.

Este sistema permite un control apropiado para vestíbulos. Los caudales de referencia se estiman entre 850 y 3.750 m³/h.



| KIT SOBREPRESIÓN | Transmisor de presión | | Grupo producto | Precio €/u. | + | Regulador de velocidad | | Grupo producto | Precio €/u. | + | Ventilador | | Grupo producto | Precio €/u. | Caudal máximo (m ³ /h) |
|------------------|-----------------------|--------|----------------|-------------|---|------------------------|-----------------------|----------------|-------------|---|------------|--------------------|----------------|-------------|-----------------------------------|
| | Código | Modelo | | | | Código | Modelo | | | | Código | Modelo | | | |
| KITSPVEST960 | 5416844700 | TDP-PI | E80 | (1) | | - | - | - | - | | 5211309400 | TD EVO-200 ECOWATT | E22 | (2) | 850 |
| KITSPVEST1040 | 5416731300 | TDP-S | E80 | (1) | | 5401620900 | CONTROL ECOWATT AC/4A | E80 | (1) | | 5211304900 | TD-800/200 3V | E22 | (2) | 1.040 |
| KITSPVEST1830 | 5416731300 | TDP-S | E80 | (1) | | 5401620900 | CONTROL ECOWATT AC/4A | E80 | (1) | | 5211009100 | TD-2000/315N 3V | E22 | (2) | 1.840 |
| KITSPVEST3750 | 5416731300 | TDP-S | E80 | (1) | | 5401620900 | CONTROL ECOWATT AC/4A | E80 | (1) | | 5211015200 | TD-4000/355 | E22 | (2) | 3.750 |

(1) Ver precios en Accesorios Eléctricos.

(2) Ver precios en Ventiladores para conducto.

SOLUCIONES para SOBREPRESIÓN de ESCALERAS

PDS CONTROL y PDS CONTROL MD



Series PDS CONTROL

Para sistemas con un ventilador.
Versión DUAL para vías de evacuación únicas; permite el control de dos ventiladores, en serie o en paralelo. En caso de fallo del ventilador principal, activará automáticamente el de reserva.



Series PDS CONTROL MD

Para sistemas con un ventilador y una compuerta motorizada, con sensor óptico de humo integrado (instalación en planta baja). Versión MD2 para dos compuertas (instalación en cubierta). Versión DUAL disponible para ambas series.

Equipos de presurización diseñados y programados para satisfacer los requerimientos descritos en la norma UNE EN 12101-6:2006. Permiten el control automático de caudal y diferencial de presión en vías de escape, ascensores o refugios. Versiones para el control de ventiladores, o también de compuertas motorizadas MD, con sensor óptico de humo integrado y función de seguridad.

Control del sistema - Selector protegido bomberos

AUTO: Control automático a través de sonda de presión + variador de frecuencia (por defecto).
ON: Activación manual del sistema a velocidad MIN/MAX, según selector. Las series MD permiten, además, forzar manualmente la apertura de compuertas, ignorando señales externas y del sensor de humo.
OFF: Paro y reset de sistema, ignora señales externas.

Atributos

Prestaciones verificadas en laboratorio acreditado por AMCA y auditado por ENAC.
Selector protegido con llave para control manual de bomberos (ON / AUTO / OFF), de interés también para la puesta en marcha y tareas de mantenimiento.

Control AUTO/ABRIR de compuertas, fuerza su apertura inhabilitando el sensor de humo (series MD).

Control remoto mediante las series de accesorios REM.

Pilotos de estado: PDS CONTROL OK / VENTIL ON / FALLO / INCENDIO para el ventilador, y COMPUERTA ABIERTA / HUMO EN COMPUERTA (series MD). Calibración "friendly" para la fase de instalación y verificaciones rutinarias de mantenimiento.

Maniobra preparada para activación remota de ventilación de salubridad, mediante programador horario.

Monitorización del estado desde sala de control, mediante salidas disponibles, o protocolo Modbus. Envoltorio metálica.

Tensión de alimentación

M - Monofásicos; 220-240V 50/60Hz hasta 2,2kW
T - Trifásicos; 380-500V + N 50/60Hz hasta 15 kW, según modelo.

Para otras potencias, consultar con S&P.

Equipos disponibles en EasyVent y a través de la herramienta EasyCalc

Aplicaciones específicas



Control manual bomberos



Sistema de diferencial de presión (PDS)

Es imprescindible comprobar que las características eléctricas (voltaje, intensidad, frecuencia, etc) del motor que aparecen en la placa del mismo son compatibles con las de la instalación.

| Código | Modelo | Potencia ventilador asociado (kW) | Tamaño Caja | Dimensiones (mm) | Peso (kg) | Grupo producto | Precio €/u. |
|---|------------------------------|-----------------------------------|-------------|------------------|-----------|----------------|-----------------|
| EQUIPOS PARA UN VENTILADOR | | | | | | | |
| 5416029700 | PDS CONTROL M 0,75 230V | 0,75 | 1 | 300x400x200 | 10 | E15 | 2.523,63 |
| 5416031500 | PDS CONTROL M 1,1 230V | 1,10 | 1 | 300x400x200 | 10 | E15 | 2.539,28 |
| 5416031600 | PDS CONTROL M 1,5 230V | 1,50 | 1 | 300x400x200 | 10 | E15 | 2.560,15 |
| 5416029800 | PDS CONTROL M 2,2 230V | 2,20 | 1 | 300x400x200 | 10 | E15 | 2.575,78 |
| 5416031700 | PDS CONTROL T 0,75 400V | 0,75 | 1 | 300x400x200 | 10 | E15 | 2.653,99 |
| 5416031800 | PDS CONTROL T 1,1 400V | 1,10 | 1 | 300x400x200 | 10 | E15 | 2.680,06 |
| 5416029900 | PDS CONTROL T 1,5 400V | 1,50 | 1 | 300x400x200 | 10 | E15 | 2.706,13 |
| 5416031900 | PDS CONTROL T 2,2 400V | 2,20 | 2 | 400x600x250 | 17 | E15 | 2.810,41 |
| 5416030000 | PDS CONTROL T 3 400V | 3,00 | 2 | 400x600x250 | 17 | E15 | 2.862,56 |
| 5416030100 | PDS CONTROL T 4 400V | 4,00 | 2 | 400x600x250 | 17 | E15 | 3.045,05 |
| 5416030200 | PDS CONTROL T 5,5 400V | 5,50 | 2 | 400x600x250 | 23 | E15 | 3.331,83 |
| 5416030300 | PDS CONTROL T 7,5 400V | 7,50 | 2 | 400x600x250 | 23 | E15 | 3.748,96 |
| 5416030400 | PDS CONTROL T 11 400V | 11,00 | 3 | 500x500x250 | 25 | E15 | 4.400,72 |
| 5416030500 | PDS CONTROL T 15 400V | 15,00 | 3 | 500x500x250 | 25 | E15 | 4.661,43 |
| EQUIPOS PARA 2 VENTILADORES (UNO DE RESERVA) | | | | | | | |
| 5416030600 | PDS CONTROL DUAL M 0,75 230V | 0,75 | 1 | 300x400x200 | 11 | E15 | 3.071,12 |
| 5416032000 | PDS CONTROL DUAL M 1,1 230V | 1,10 | 1 | 300x400x200 | 11 | E15 | 3.091,99 |
| 5416032100 | PDS CONTROL DUAL M 1,5 230V | 1,50 | 1 | 300x400x200 | 11 | E15 | 3.112,84 |
| 5416030700 | PDS CONTROL DUAL M 2,2 230V | 2,20 | 1 | 300x400x200 | 11 | E15 | 3.123,26 |
| 5416032200 | PDS CONTROL DUAL T 0,75 400V | 0,75 | 1 | 300x400x200 | 11 | E15 | 3.175,40 |
| 5416032300 | PDS CONTROL DUAL T 1,1 400V | 1,10 | 1 | 300x400x200 | 11 | E15 | 3.201,47 |
| 5416030800 | PDS CONTROL DUAL T 1,5 400V | 1,50 | 1 | 300x400x200 | 11 | E15 | 3.253,62 |
| 5416032400 | PDS CONTROL DUAL T 2,2 400V | 2,20 | 2 | 400x600x250 | 18 | E15 | 3.357,90 |
| 5416030900 | PDS CONTROL DUAL T 3 400V | 3,00 | 2 | 400x600x250 | 18 | E15 | 3.410,03 |
| 5416031000 | PDS CONTROL DUAL T 4 400V | 4,00 | 2 | 400x600x250 | 19 | E15 | 3.592,53 |
| 5416031100 | PDS CONTROL DUAL T 5,5 400V | 5,50 | 2 | 400x600x250 | 24 | E15 | 3.905,38 |
| 5416031200 | PDS CONTROL DUAL T 7,5 400V | 7,50 | 2 | 400x600x250 | 24 | E15 | 4.426,80 |
| 5416031300 | PDS CONTROL DUAL T 11 400V | 11,00 | 3 | 500x500x250 | 26 | E15 | 5.313,20 |
| 5416031400 | PDS CONTROL DUAL T 15 400V | 15,00 | 3 | 500x500x250 | 26 | E15 | 5.834,61 |

| Código | Modelo | Potencia ventilador asociado (kW) | Tamaño Caja | Dimensiones (mm) | Peso (kg) | Grupo producto | Precio €/u. |
|--------|--------|-----------------------------------|-------------|------------------|-----------|----------------|-------------|
|--------|--------|-----------------------------------|-------------|------------------|-----------|----------------|-------------|

EQUIPOS PARA 1 VENTILADOR & 1 COMPUERTA MD

| | | | | | | | |
|------------|----------------------------|------|---|-------------|----|-----|----------|
| 5416042700 | PDS CONTROL MD M 0,75 230V | 0,75 | 3 | 500x500x250 | 17 | E15 | 4.510,22 |
| 5416042800 | PDS CONTROL MD M 1,1 230V | 1,1 | 3 | 500x500x250 | 18 | E15 | 4.536,69 |
| 5416043000 | PDS CONTROL MD M 1,5 230V | 1,5 | 3 | 500x500x250 | 18 | E15 | 4.562,37 |
| 5416043100 | PDS CONTROL MD M 2,2 230V | 2,2 | 3 | 500x500x250 | 18 | E15 | 4.588,44 |
| 5416043200 | PDS CONTROL MD T 0,75 400V | 0,75 | 3 | 500x500x250 | 18 | E15 | 4.640,57 |
| 5416043300 | PDS CONTROL MD T 1,1 400V | 1,1 | 3 | 500x500x250 | 18 | E15 | 4.692,72 |
| 5416043400 | PDS CONTROL MD T 1,5 400V | 1,5 | 3 | 500x500x250 | 18 | E15 | 4.718,79 |
| 5416043500 | PDS CONTROL MD T 2,2 400V | 2,2 | 3 | 500x500x250 | 18 | E15 | 4.744,86 |
| 5416043600 | PDS CONTROL MD T 3 400V | 3 | 3 | 500x500x250 | 18 | E15 | 4.797,00 |
| 5416043800 | PDS CONTROL MD T 4 400V | 4 | 3 | 500x500x250 | 18 | E15 | 4.979,50 |
| 5416043900 | PDS CONTROL MD T 5,5 400V | 5,5 | 3 | 500x500x250 | 23 | E15 | 5.266,28 |
| 5416044000 | PDS CONTROL MD T 7,5 400V | 7,5 | 3 | 500x500x250 | 24 | E15 | 5.787,69 |

EQUIPOS PARA 1 VENTILADOR & 2 COMPUERTAS MD

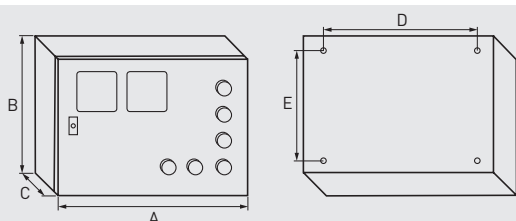
| | | | | | | | |
|------------|-----------------------------|------|---|-------------|----|-----|----------|
| 5416045300 | PDS CONTROL MD2 M 0,75 230V | 0,75 | 3 | 500x500x250 | 19 | E15 | 4.666,65 |
| 5416045400 | PDS CONTROL MD2 M 1,1 230V | 1,1 | 3 | 500x500x250 | 19 | E15 | 4.692,72 |
| 5416045500 | PDS CONTROL MD2 M 1,5 230V | 1,5 | 3 | 500x500x250 | 19 | E15 | 4.718,79 |
| 5416045600 | PDS CONTROL MD2 M 2,2 230V | 2,2 | 3 | 500x500x250 | 19 | E15 | 4.744,86 |
| 5416045700 | PDS CONTROL MD2 T 0,75 400V | 0,75 | 3 | 500x500x250 | 19 | E15 | 4.823,07 |
| 5416045800 | PDS CONTROL MD2 T 1,1 400V | 1,1 | 3 | 500x500x250 | 19 | E15 | 4.849,14 |
| 5416045900 | PDS CONTROL MD2 T 1,5 400V | 1,5 | 3 | 500x500x250 | 19 | E15 | 4.901,28 |
| 5416046000 | PDS CONTROL MD2 T 2,2 400V | 2,2 | 3 | 500x500x250 | 19 | E15 | 4.927,35 |
| 5416046100 | PDS CONTROL MD2 T 3 400V | 3 | 3 | 500x500x250 | 19 | E15 | 4.979,50 |
| 5416046200 | PDS CONTROL MD2 T 4 400V | 4 | 3 | 500x500x250 | 19 | E15 | 5.161,99 |
| 5416046300 | PDS CONTROL MD2 T 5,5 400V | 5,5 | 3 | 500x500x250 | 25 | E15 | 5.422,69 |
| 5416046400 | PDS CONTROL MD2 T 7,5 400V | 7,5 | 3 | 500x500x250 | 25 | E15 | 5.970,18 |

EQUIPOS PARA 2 VENTILADORES (UNO DE RESERVA) & 1 COMPUERTA MD

| | | | | | | | |
|------------|---------------------------------|------|---|-------------|----|-----|----------|
| 5416044100 | PDS CONTROL MD DUAL M 0,75 230V | 0,75 | 3 | 500x500x250 | 17 | E15 | 4.849,14 |
| 5416044200 | PDS CONTROL MD DUAL M 1,1 230V | 1,1 | 3 | 500x500x250 | 18 | E15 | 4.875,22 |
| 5416044300 | PDS CONTROL MD DUAL M 1,5 230V | 1,5 | 3 | 500x500x250 | 18 | E15 | 4.901,28 |
| 5416044400 | PDS CONTROL MD DUAL M 2,2 230V | 2,2 | 3 | 500x500x250 | 18 | E15 | 4.927,35 |
| 5416044500 | PDS CONTROL MD DUAL T 0,75 400V | 0,75 | 3 | 500x500x250 | 18 | E15 | 5.005,57 |
| 5416044600 | PDS CONTROL MD DUAL T 1,1 400V | 1,1 | 3 | 500x500x250 | 18 | E15 | 5.031,63 |
| 5416044700 | PDS CONTROL MD DUAL T 1,5 400V | 1,5 | 3 | 500x500x250 | 18 | E15 | 5.083,78 |
| 5416044800 | PDS CONTROL MD DUAL T 2,2 400V | 2,2 | 3 | 500x500x250 | 18 | E15 | 5.109,85 |
| 5416044900 | PDS CONTROL MD DUAL T 3 400V | 3 | 3 | 500x500x250 | 18 | E15 | 5.161,99 |
| 5416045000 | PDS CONTROL MD DUAL T 4 400V | 4 | 3 | 500x500x250 | 18 | E15 | 5.344,49 |
| 5416045100 | PDS CONTROL MD DUAL T 5,5 400V | 5,5 | 3 | 500x500x250 | 24 | E15 | 5.657,34 |
| 5416045200 | PDS CONTROL MD DUAL T 7,5 400V | 7,5 | 3 | 500x500x250 | 24 | E15 | 6.230,89 |

EQUIPOS PARA 2 VENTILADORES (UNO DE RESERVA) & 2 COMPUERTAS MD

| | | | | | | | |
|------------|----------------------------------|------|---|-------------|----|-----|----------|
| 5416046500 | PDS CONTROL MD2 DUAL M 0,75 230V | 0,75 | 3 | 500x500x250 | 19 | E15 | 5.031,63 |
| 5416046600 | PDS CONTROL MD2 DUAL M 1,1 230V | 1,1 | 3 | 500x500x250 | 19 | E15 | 5.057,71 |
| 5416046700 | PDS CONTROL MD2 DUAL M 1,5 230V | 1,5 | 3 | 500x500x250 | 19 | E15 | 5.083,78 |
| 5416046800 | PDS CONTROL MD2 DUAL M 2,2 230V | 2,2 | 3 | 500x500x250 | 19 | E15 | 5.109,85 |
| 5416046900 | PDS CONTROL MD2 DUAL T 0,75 400V | 0,75 | 3 | 500x500x250 | 19 | E15 | 5.188,06 |
| 5416047000 | PDS CONTROL MD2 DUAL T 1,1 400V | 1,1 | 3 | 500x500x250 | 19 | E15 | 5.214,13 |
| 5416047100 | PDS CONTROL MD2 DUAL T 1,5 400V | 1,5 | 3 | 500x500x250 | 19 | E15 | 5.240,20 |
| 5416047200 | PDS CONTROL MD2 DUAL T 2,2 400V | 2,2 | 3 | 500x500x250 | 19 | E15 | 5.292,34 |
| 5416047300 | PDS CONTROL MD2 DUAL T 3 400V | 3 | 3 | 500x500x250 | 19 | E15 | 5.318,41 |
| 5416047400 | PDS CONTROL MD2 DUAL T 4 400V | 4 | 3 | 500x500x250 | 19 | E15 | 5.526,98 |
| 5416047500 | PDS CONTROL MD2 DUAL T 5,5 400V | 5,5 | 3 | 500x500x250 | 25 | E15 | 5.839,83 |
| 5416047600 | PDS CONTROL MD2 DUAL T 7,5 400V | 7,5 | 3 | 500x500x250 | 25 | E15 | 6.413,38 |



| Tamaño caja | A | B | C | D | E |
|-------------|-----|-----|-----|-----|-----|
| 1 | 300 | 400 | 200 | 300 | 225 |
| 2 | 400 | 600 | 250 | 525 | 325 |
| 3 | 500 | 500 | 250 | 425 | 425 |

ACCESORIOS



PDS REM

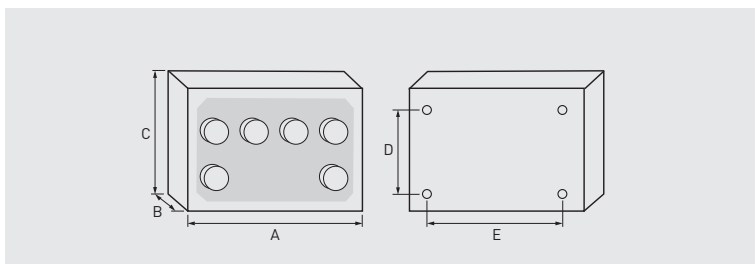


PDS REM MD2 DUAL

PDS REM y PDS REM MD

Mandos externos, para control manual a distancia del PDS CONTROL / PDS CONTROL MD correspondiente. Replican los pilotos y selectores, para aquellos casos en que se requiera control del sistema desde una ubicación alternativa, típicamente acceso del edificio o escalera. Alimentados a través del control correspondiente. Con selector protegido con llave para control manual. Accesorios reservados para bomberos.

| Código | Modelo PDS REM | Modelo PDS CONTROL asociado | Peso (kg) | Grupo producto | Precio €/u. |
|------------|------------------|-----------------------------|-----------|----------------|---------------|
| 5416032700 | PDS REM | PDS CONTROL | 0,8 | E15 | 375,42 |
| 5416032800 | PDS REM DUAL | PDS CONTROL DUAL | 0,8 | E15 | 417,13 |
| 5416047700 | PDS REM MD | PDS CONTROL MD | 1,0 | E15 | 677,84 |
| 5416047900 | PDS REM MD2 | PDS CONTROL MD2 | 1,0 | E15 | 729,97 |
| 5416048000 | PDS REM MD DUAL | PDS CONTROL MD DUAL | 1,0 | E15 | 756,05 |
| 5416048100 | PDS REM MD2 DUAL | PDS CONTROL MD2 DUAL | 1,0 | E15 | 808,19 |

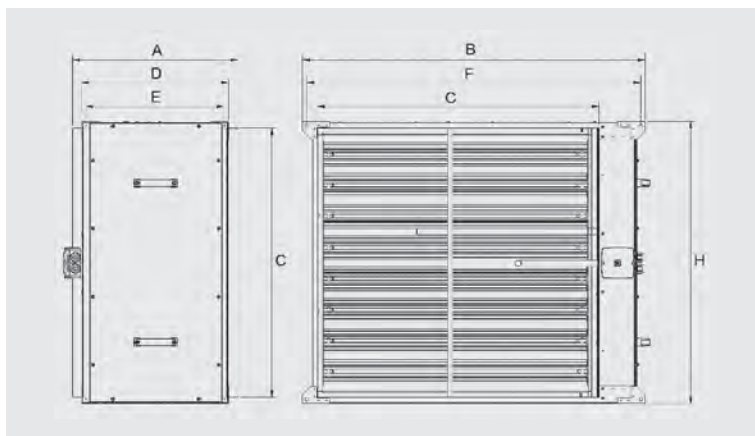


| Modelo | A | B | C | D | E |
|------------|-----|----|-----|-----|-----|
| PDS REM | 196 | 76 | 148 | 152 | 101 |
| PDS REM MD | 196 | 96 | 244 | 152 | 197 |



Compuertas MD

Módulos de compuerta motorizada, provistos de detector óptico de humo y con función de seguridad. Para admisión de aire en sistemas de diferencial de presión. En caso de detección de humo en la aspiración, se cierra la compuerta. Alimentación y control mediante las series -PDS CONTROL MD. Fabricación en chapa galvanizada, habilitados para su instalación en exterior. La compuerta es extraíble para su mantenimiento, limpieza o sustitución, sin necesidad de desmontar el módulo de la instalación. Puede instalarse de forma que la puerta de inspección quede a izquierda o derecha, sin modificar el sentido del flujo de aire. Caja de bornes exterior para facilidad de instalación. Compatibles con los accesorios CVD CHGT/CGT y ACOP RECT CHGT/CGT F400. Temperatura ambiente máxima: 50°C. Velocidad de aire recomendada; 3,2 - 10 m/s.



| Modelo | A | B | C | D | E | F | H |
|---------|-----|------|------|-----|-----|------|------|
| MD 600 | 500 | 835 | 653 | 444 | 416 | 809 | 692 |
| MD 800 | 500 | 1035 | 851 | 444 | 416 | 1009 | 892 |
| MD 1000 | 500 | 1235 | 1056 | 444 | 416 | 1209 | 1092 |
| MD 1300 | 500 | 1530 | 1276 | 444 | 416 | 1504 | 1392 |

| Código | Modelo | Peso (kg) | Velocidad min (m/s) | Velocidad max (m/s) | Caudal min (m³/h) | Caudal max (m³/h) | Grupo producto | Precio €/u. |
|------------|---------|-----------|---------------------|---------------------|-------------------|-------------------|----------------|-----------------|
| 5800048300 | MD 600 | 38 | 3,2 | 10 | 4.100 | 13.000 | E15 | 2.912,97 |
| 5800048400 | MD 800 | 48 | 3,2 | 10 | 7.500 | 23.000 | E15 | 3.168,16 |
| 5800048500 | MD 1000 | 60 | 3,2 | 10 | 12.000 | 36.000 | E15 | 3.433,04 |
| 5800048600 | MD 1300 | 80 | 3,2 | 10 | 20.000 | 61.000 | E15 | 3.914,82 |

SOLUCIONES para SOBREPRESIÓN de ESCALERAS

Los equipos para sistemas de diferencial de presión deben seleccionarse según punto de trabajo de la instalación, entre otros factores. A continuación se muestran algunas combinaciones de PDS CONTROL + VENTILADOR.

Consultar nuestra herramienta de cálculo EasyCalc, nuestro selector EasyVent, o contactar con nuestro SAT para más combinaciones y asesoramiento.



| KIT SOBREPRESIÓN | Control | | Ventilador | | | Grupo producto | Precio €/u. |
|------------------|------------|-------------------------|------------|--------------------------------|----------------------|----------------|------------------|
| | Código | Modelo | Código | Modelo | Caudal máximo (m³/h) | | |
| KITSPM0075 | 5416029700 | PDS CONTROL M 0,75 230V | 5146670200 | CGT/4-500-6/32-0,75kW-230/400V | 9.760 | E15 | 3.942,81 |
| KITSPM011 | 5416031500 | PDS CONTROL M 1,1 230V | 5146658600 | CGT/4-560-6/28-1,1kW-230/400V | 12.870 | E15 | 4.096,15 |
| KITSPM015 | 5416031600 | PDS CONTROL M 1,5 230V | 5146669600 | CGT/4-560-6/36-1,5kW-230/400V | 15.500 | E15 | 4.146,08 |
| KITSPM022 | 5416029800 | PDS CONTROL M 2,2 230V | 5146683100 | CGT/4-560-6/38-2,2kW-230/400V | 16.180 | E15 | 4.310,25 |
| KITSP0075 | 5416031700 | PDS CONTROL T 0,75 400V | 5146670200 | CGT/4-500-6/32-0,75kW-230/400V | 9.760 | E15 | 4.073,16 |
| KITSP011 | 5416031800 | PDS CONTROL T 1,1 400V | 5146658600 | CGT/4-560-6/28-1,1kW-230/400V | 12.870 | E15 | 4.236,93 |
| KITSP015 | 5416029900 | PDS CONTROL T 1,5 400V | 5146669600 | CGT/4-560-6/36-1,5kW-230/400V | 15.500 | E15 | 4.292,08 |
| KITSP022 | 5416031900 | PDS CONTROL T 2,2 400V | 5146683100 | CGT/4-560-6/38-2,2kW-230/400V | 16.180 | E15 | 4.544,88 |
| KITSP030 | 5416030000 | PDS CONTROL T 3 400V | 5146674800 | CGT/4-630-6/38-3kW-230/400V | 23.640 | E15 | 4.909,87 |
| KITSP040 | 5416030100 | PDS CONTROL T 4 400V | 5146681100 | CGT/4-710-6/32-4kW-400/690V | 29.930 | E15 | 5.585,44 |
| KITSP055 | 5416030200 | PDS CONTROL T 5,5 400V | 5146657700 | CGT/4-800-6/26-5,5kW-400/690V | 36.980 | E15 | 6.322,18 |
| KITSP075 | 5416030300 | PDS CONTROL T 7,5 400V | 5146669500 | CGT/4-800-6/32-7,5kW-400/690V | 40.470 | E15 | 6.757,54 |
| KITSP11 | 5416030400 | PDS CONTROL T 11 400V | 5146682800 | CGT/4-900-6/30-11kW-400/690V | 55.180 | E15 | 8.972,29 |
| KITSP15 | 5416030500 | PDS CONTROL T 15 400V | 5146696700 | CGT/4-1000-6/26-15kW-400/690V | 71.240 | E15 | 10.028,83 |



| KIT SOBREPRESIÓN DUAL | Control | | Ventiladores | | | Grupo producto | Precio €/u. |
|-----------------------|------------|------------------------------|--------------|--------------------------------|----------------------|----------------|------------------|
| | Código | Modelo | Código | Modelo | Caudal máximo (m³/h) | | |
| KITSPDUALM0075 | 5416030600 | PDS CONTROL DUAL M 0,75 230V | 5146670200 | CGT/4-500-6/32-0,75kW-230/400V | 9.760 | E15 | 5.909,44 |
| KITSPDUALM011 | 5416032000 | PDS CONTROL DUAL M 1,1 230V | 5146658600 | CGT/4-560-6/28-1,1kW-230/400V | 12.870 | E15 | 6.205,70 |
| KITSPDUALM015 | 5416032100 | PDS CONTROL DUAL M 1,5 230V | 5146669600 | CGT/4-560-6/36-1,5kW-230/400V | 15.500 | E15 | 6.284,73 |
| KITSPDUALM022 | 5416030700 | PDS CONTROL DUAL M 2,2 230V | 5146683100 | CGT/4-560-6/38-2,2kW-230/400V | 16.180 | E15 | 6.592,19 |
| KITSPDUALT0075 | 5416032200 | PDS CONTROL DUAL T 0,75 400V | 5146670200 | CGT/4-500-6/32-0,75kW-230/400V | 9.760 | E15 | 6.013,72 |
| KITSPDUALT011 | 5416032300 | PDS CONTROL DUAL T 1,1 400V | 5146658600 | CGT/4-560-6/28-1,1kW-230/400V | 12.870 | E15 | 6.315,20 |
| KITSPDUALT015 | 5416030800 | PDS CONTROL DUAL T 1,5 400V | 5146669600 | CGT/4-560-6/36-1,5kW-230/400V | 15.500 | E15 | 6.425,51 |
| KITSPDUALT022 | 5416032400 | PDS CONTROL DUAL T 2,2 400V | 5146683100 | CGT/4-560-6/38-2,2kW-230/400V | 16.180 | E15 | 6.826,84 |
| KITSPDUALT030 | 5416030900 | PDS CONTROL DUAL T 3 400V | 5146674800 | CGT/4-630-6/38-3kW-230/400V | 23.640 | E15 | 7.504,67 |
| KITSPDUALT040 | 5416031000 | PDS CONTROL DUAL T 4 400V | 5146681100 | CGT/4-710-6/32-4kW-400/690V | 29.930 | E15 | 8.673,32 |
| KITSPDUALT055 | 5416031100 | PDS CONTROL DUAL T 5,5 400V | 5146657700 | CGT/4-800-6/26-5,5kW-400/690V | 36.980 | E15 | 9.886,09 |
| KITSPDUALT075 | 5416031200 | PDS CONTROL DUAL T 7,5 400V | 5146669500 | CGT/4-800-6/32-7,5kW-400/690V | 40.470 | E15 | 10.443,96 |
| KITSPDUALT11 | 5416031300 | PDS CONTROL DUAL T 11 400V | 5146682800 | CGT/4-900-6/30-11kW-400/690V | 55.180 | E15 | 14.456,32 |
| KITSPDUALT15 | 5416031400 | PDS CONTROL DUAL T 15 400V | 5146696700 | CGT/4-1000-6/26-15kW-400/690V | 71.240 | E15 | 16.569,43 |

SOLUCIONES para SOBREPRESIÓN de ESCALERAS

Los equipos para sistemas de diferencial de presión deben seleccionarse según punto de trabajo de la instalación, entre otros factores. A continuación se muestran algunas combinaciones de PDS CONTROL + VENTILADOR + COMPUERTA. Consultar nuestra herramienta de cálculo EasyCalc, nuestro selector EasyVent, o contactar con nuestro SAT para más combinaciones y asesoramiento.



| KIT SOBREPRESIÓN | Control | | Ventilador | | | Compuerta | | Grupo producto | Precio €/u. |
|------------------|------------|----------------------------|------------|--------------------------------|----------------------|------------|---------|----------------|------------------|
| | Código | Modelo | Código | Modelo | Caudal máximo (m³/h) | Código | Modelo | | |
| KITSPMDM0075 | 5416042700 | PDS CONTROL MD M 0,75 230V | 5146682900 | CGT/4-500-6/30-0,75kW-230/400V | 8.200 | 5800048300 | MD 600 | E15 | 8.842,36 |
| KITSPMDM011 | 5416042800 | PDS CONTROL MD M 1,1 230V | 5146658600 | CGT/4-560-6/28-1,1kW-230/400V | 10.900 | 5800048300 | MD 600 | E15 | 9.006,13 |
| KITSPMDM015 | 5416043000 | PDS CONTROL MD M 1,5 230V | 5146669600 | CGT/4-560-6/36-1,5kW-230/400V | 13.100 | 5800048400 | MD 800 | E15 | 9.316,47 |
| KITSPMDM022 | 5416043100 | PDS CONTROL MD M 2,2 230V | 5146659600 | CGT/4-630-6/26-2,2kW-230/400V | 16.100 | 5800048400 | MD 800 | E15 | 9.715,16 |
| KITSPMDT0075 | 5416043200 | PDS CONTROL MD T 0,75 400V | 5146682900 | CGT/4-500-6/30-0,75kW-230/400V | 8.200 | 5800048300 | MD 600 | E15 | 8.972,71 |
| KITSPMDT011 | 5416043300 | PDS CONTROL MD T 1,1 400V | 5146658600 | CGT/4-560-6/28-1,1kW-230/400V | 10.900 | 5800048300 | MD 600 | E15 | 9.162,56 |
| KITSPMDT015 | 5416043400 | PDS CONTROL MD T 1,5 400V | 5146669600 | CGT/4-560-6/36-1,5kW-230/400V | 13.100 | 5800048400 | MD 800 | E15 | 9.472,89 |
| KITSPMDT022 | 5416043500 | PDS CONTROL MD T 2,2 400V | 5146659600 | CGT/4-630-6/26-2,2kW-230/400V | 16.100 | 5800048400 | MD 800 | E15 | 9.871,58 |
| KITSPMDT030 | 5416043600 | PDS CONTROL MD T 3 400V | 5146660500 | CGT/4-710-6/24-3kW-230/400V | 21.800 | 5800048400 | MD 800 | E15 | 10.278,81 |
| KITSPMDT040 | 5416043800 | PDS CONTROL MD T 4 400V | 5146722600 | CGT/4-800-3/30-4kW-400/690V | 27.200 | 5800048500 | MD 1000 | E15 | 11.059,37 |
| KITSPMDT055 | 5416043900 | PDS CONTROL MD T 5,5 400V | 5146684100 | CGT/4-900-3/26-5,5kW-400/690V | 36.150 | 5800048600 | MD 1300 | E15 | 12.535,37 |
| KITSPMDT075 | 5416044000 | PDS CONTROL MD T 7,5 400V | 5146737000 | CGT/4-1000-6/14-7,5kW-400/690V | 40.600 | 5800048600 | MD 1300 | E15 | 14.159,31 |



| KIT SOBREPRESIÓN | Control | | Ventilador | | | Compuertas | | Grupo producto | Precio €/u. |
|------------------|------------|-----------------------------|------------|--------------------------------|----------------------|------------|---------|----------------|------------------|
| | Código | Modelo | Código | Modelo | Caudal máximo (m³/h) | Código | Modelo | | |
| KITSPMD2M0075 | 5416045300 | PDS CONTROL MD2 M 0,75 230V | 5146682900 | CGT/4-500-6/30-0,75kW-230/400V | 8.200 | 5800048300 | MD 600 | E15 | 11.911,77 |
| KITSPMD2M011 | 5416045400 | PDS CONTROL MD2 M 1,1 230V | 5146658600 | CGT/4-560-6/28-1,1kW-230/400V | 10.900 | 5800048300 | MD 600 | E15 | 12.075,54 |
| KITSPMD2M015 | 5416045500 | PDS CONTROL MD2 M 1,5 230V | 5146669600 | CGT/4-560-6/36-1,5kW-230/400V | 13.100 | 5800048400 | MD 800 | E15 | 12.641,05 |
| KITSPMD2M022 | 5416045600 | PDS CONTROL MD2 M 2,2 230V | 5146659600 | CGT/4-630-6/26-2,2kW-230/400V | 16.100 | 5800048400 | MD 800 | E15 | 13.039,73 |
| KITSPMD2T0075 | 5416045700 | PDS CONTROL MD2 T 0,75 400V | 5146682900 | CGT/4-500-6/30-0,75kW-230/400V | 8.200 | 5800048300 | MD 600 | E15 | 12.068,18 |
| KITSPMD2T011 | 5416045800 | PDS CONTROL MD2 T 1,1 400V | 5146658600 | CGT/4-560-6/28-1,1kW-230/400V | 10.900 | 5800048300 | MD 600 | E15 | 12.231,97 |
| KITSPMD2T015 | 5416045900 | PDS CONTROL MD2 T 1,5 400V | 5146669600 | CGT/4-560-6/36-1,5kW-230/400V | 13.100 | 5800048400 | MD 800 | E15 | 12.823,55 |
| KITSPMD2T022 | 5416046000 | PDS CONTROL MD2 T 2,2 400V | 5146659600 | CGT/4-630-6/26-2,2kW-230/400V | 16.100 | 5800048400 | MD 800 | E15 | 13.222,23 |
| KITSPMD2T030 | 5416046100 | PDS CONTROL MD2 T 3 400V | 5146660500 | CGT/4-710-6/24-3kW-230/400V | 21.800 | 5800048400 | MD 800 | E15 | 13.629,46 |
| KITSPMD2T040 | 5416046200 | PDS CONTROL MD2 T 4 400V | 5146722600 | CGT/4-800-3/30-4kW-400/690V | 27.200 | 5800048500 | MD 1000 | E15 | 14.674,89 |
| KITSPMD2T055 | 5416046300 | PDS CONTROL MD2 T 5,5 400V | 5146684100 | CGT/4-900-3/26-5,5kW-400/690V | 36.150 | 5800048600 | MD 1300 | E15 | 16.606,63 |
| KITSPMD2T075 | 5416046400 | PDS CONTROL MD2 T 7,5 400V | 5146737000 | CGT/4-1000-6/14-7,5kW-400/690V | 40.600 | 5800048600 | MD 1300 | E15 | 18.256,63 |

SOLUCIONES para SOBREPRESIÓN de ESCALERAS

Los equipos para sistemas de diferencial de presión deben seleccionarse según punto de trabajo de la instalación, entre otros factores. A continuación se muestran algunas combinaciones de PDS CONTROL + VENTILADOR + COMPUERTA.

Consultar nuestra herramienta de cálculo EasyCalc, nuestro selector EasyVent, o contactar con nuestro SAT para más combinaciones y asesoramiento.



| KIT SOBREPRESIÓN | Control | | Ventiladores | | | Compuerta | | Grupo producto | Precio €/u. |
|------------------|------------|---------------------------------|--------------|--------------------------------|----------------------|------------|---------|----------------|-------------|
| | Código | Modelo | Código | Modelo | Caudal máximo (m³/h) | Código | Modelo | | |
| KITSPMDDUALM0075 | 5416044100 | PDS CONTROL MD DUAL M 0,75 230V | 5146682900 | CGT/4-500-6/30-0,75kW-230/400V | 8.200 | 5800048300 | MD 600 | E15 | 10.600,43 |
| KITSPMDDUALM011 | 5416044200 | PDS CONTROL MD DUAL M 1,1 230V | 5146658600 | CGT/4-560-6/28-1,1kW-230/400V | 10.900 | 5800048300 | MD 600 | E15 | 10.901,92 |
| KITSPMDDUALM015 | 5416044300 | PDS CONTROL MD DUAL M 1,5 230V | 5146669600 | CGT/4-560-6/36-1,5kW-230/400V | 13.100 | 5800048400 | MD 800 | E15 | 11.241,33 |
| KITSPMDDUALM022 | 5416044400 | PDS CONTROL MD DUAL M 2,2 230V | 5146659600 | CGT/4-630-6/26-2,2kW-230/400V | 16.100 | 5800048400 | MD 800 | E15 | 12.012,63 |
| KITSPMDDUALT0075 | 5416044500 | PDS CONTROL MD DUAL T 0,75 400V | 5146682900 | CGT/4-500-6/30-0,75kW-230/400V | 8.200 | 5800048300 | MD 600 | E15 | 10.756,85 |
| KITSPMDDUALT011 | 5416044600 | PDS CONTROL MD DUAL T 1,1 400V | 5146658600 | CGT/4-560-6/28-1,1kW-230/400V | 10.900 | 5800048300 | MD 600 | E15 | 11.058,34 |
| KITSPMDDUALT015 | 5416044700 | PDS CONTROL MD DUAL T 1,5 400V | 5146669600 | CGT/4-560-6/36-1,5kW-230/400V | 13.100 | 5800048400 | MD 800 | E15 | 11.423,83 |
| KITSPMDDUALT022 | 5416044800 | PDS CONTROL MD DUAL T 2,2 400V | 5146659600 | CGT/4-630-6/26-2,2kW-230/400V | 16.100 | 5800048400 | MD 800 | E15 | 12.195,13 |
| KITSPMDDUALT030 | 5416044900 | PDS CONTROL MD DUAL T 3 400V | 5146660500 | CGT/4-710-6/24-3kW-230/400V | 21.800 | 5800048400 | MD 800 | E15 | 12.957,43 |
| KITSPMDDUALT040 | 5416045000 | PDS CONTROL MD DUAL T 4 400V | 5146722600 | CGT/4-800-3/30-4kW-400/690V | 27.200 | 5800048500 | MD 1000 | E15 | 14.071,19 |
| KITSPMDDUALT055 | 5416045100 | PDS CONTROL MD DUAL T 5,5 400V | 5146684100 | CGT/4-900-3/26-5,5kW-400/690V | 36.150 | 5800048600 | MD 1300 | E15 | 16.280,70 |
| KITSPMDDUALT075 | 5416045200 | PDS CONTROL MD DUAL T 7,5 400V | 5146737000 | CGT/4-1000-6/14-7,5kW-400/690V | 40.600 | 5800048600 | MD 1300 | E15 | 19.059,32 |

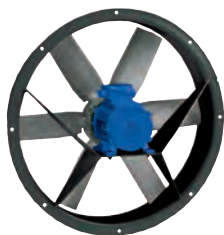


| KIT SOBREPRESIÓN | Control | | Ventiladores | | | Compuertas | | Grupo producto | Precio €/u. |
|-------------------|------------|----------------------------------|--------------|--------------------------------|----------------------|------------|---------|----------------|-------------|
| | Código | Modelo | Código | Modelo | Caudal máximo (m³/h) | Código | Modelo | | |
| KITSPMD2DUALM0075 | 5416046500 | PDS CONTROL MD2 DUAL M 0,75 230V | 5146682900 | CGT/4-500-6/30-0,75kW-230/400V | 8.200 | 5800048300 | MD 600 | E15 | 13.695,92 |
| KITSPMD2DUALM011 | 5416046600 | PDS CONTROL MD2 DUAL M 1,1 230V | 5146658600 | CGT/4-560-6/28-1,1kW-230/400V | 10.900 | 5800048300 | MD 600 | E15 | 13.997,39 |
| KITSPMD2DUALM015 | 5416046700 | PDS CONTROL MD2 DUAL M 1,5 230V | 5146669600 | CGT/4-560-6/36-1,5kW-230/400V | 13.100 | 5800048400 | MD 800 | E15 | 14.591,98 |
| KITSPMD2DUALM022 | 5416046800 | PDS CONTROL MD2 DUAL M 2,2 230V | 5146659600 | CGT/4-630-6/26-2,2kW-230/400V | 16.100 | 5800048400 | MD 800 | E15 | 15.363,28 |
| KITSPMD2DUALT0075 | 5416046900 | PDS CONTROL MD2 DUAL T 0,75 400V | 5146682900 | CGT/4-500-6/30-0,75kW-230/400V | 8.200 | 5800048300 | MD 600 | E15 | 13.852,34 |
| KITSPMD2DUALT011 | 5416047000 | PDS CONTROL MD2 DUAL T 1,1 400V | 5146658600 | CGT/4-560-6/28-1,1kW-230/400V | 10.900 | 5800048300 | MD 600 | E15 | 14.153,81 |
| KITSPMD2DUALT015 | 5416047100 | PDS CONTROL MD2 DUAL T 1,5 400V | 5146669600 | CGT/4-560-6/36-1,5kW-230/400V | 13.100 | 5800048400 | MD 800 | E15 | 14.748,41 |
| KITSPMD2DUALT022 | 5416047200 | PDS CONTROL MD2 DUAL T 2,2 400V | 5146659600 | CGT/4-630-6/26-2,2kW-230/400V | 16.100 | 5800048400 | MD 800 | E15 | 15.545,76 |
| KITSPMD2DUALT030 | 5416047300 | PDS CONTROL MD2 DUAL T 3 400V | 5146660500 | CGT/4-710-6/24-3kW-230/400V | 21.800 | 5800048400 | MD 800 | E15 | 16.282,01 |
| KITSPMD2DUALT040 | 5416047400 | PDS CONTROL MD2 DUAL T 4 400V | 5146722600 | CGT/4-800-3/30-4kW-400/690V | 27.200 | 5800048500 | MD 1000 | E15 | 17.686,74 |
| KITSPMD2DUALT055 | 5416047500 | PDS CONTROL MD2 DUAL T 5,5 400V | 5146684100 | CGT/4-900-3/26-5,5kW-400/690V | 36.150 | 5800048600 | MD 1300 | E15 | 20.378,03 |
| KITSPMD2DUALT075 | 5416047600 | PDS CONTROL MD2 DUAL T 7,5 400V | 5146737000 | CGT/4-1000-6/14-7,5kW-400/690V | 40.600 | 5800048600 | MD 1300 | E15 | 23.156,65 |

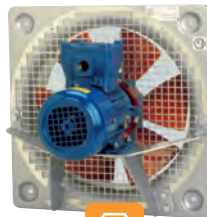




32 HCBT
Hélice de aluminio



38 TCT



274 HDB/HDT



40 TCBT
Hélice de Aluminio



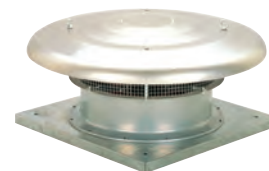
46 TGT ATEX



55 TTT-N



275 TH ATEX



60 HCTT



276 TCDH EXD



80 CGT



91 CVAB-N/CVAT-N



95 CVTT



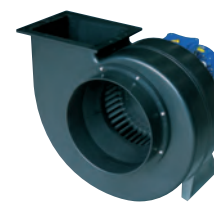
277 ILT ATEX



278 TD ATEX



119 CMPT (1)



279 CMPT ATEX

Todos los motores incorporados en nuestros productos cumplen con el Reglamento CE nº 640/2009.



Series que cumplen con la Directiva ErP.



Series con certificación ATEX para atmósferas explosivas.



Series para ambientes corrosivos.



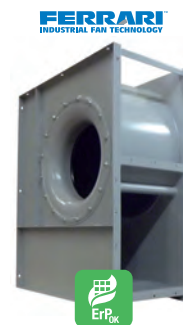
124 CBT-N



126 CMT



129 FR



133 FRC



137 FRP



138 MEC



142 FQ



146 ART



150 VCM



154 FG-N



158 FI-N



162 FA-R



164 KM



234 BSP

Todos los motores incorporados en nuestros productos cumplen con el Reglamento CE nº 640/2009.



Serie que cumplen con la Directiva ErP.

Serie HDB/HDT



Ventiladores helicoidales murales, especialmente diseñados para la extracción de aire en atmósferas explosivas, con embocadura en chapa de acero galvanizado, anillo interior en aluminio, soporte motor y hélice en aluminio, acabado con pintura gris aluminio B-0920, motor monofásico (HDB) o trifásico (HDT), IP55, Clase F, con rodamientos a bolas de engrase permanente.

Motores

De 4, 6 ó 8 polos, según versiones.
Tensión de alimentación.
Monofásicos 230V-50Hz.
Trifásicos 230/400V-50Hz.
Con prensaestopas certificado.

Información adicional

Sentido del aire Motor-Hélice (flujo A).
Prensaestopa suministrado no montado en la caja de bornes del motor.
Para los modelos con motor monofásico, el condensador se suministra aparte, no conectado al motor, y debe instalarse fuera de la zona ATEX o dentro de una caja de maniobra conforme con la clasificación ATEX requerida.

Otros datos

Sentido del aire Hélice - Motor (flujo B) bajo demanda (modelos 450 y 560).

Ventiladores diseñados según la Directiva ATEX. Para trabajar a temperaturas de -20°C a +40°C.

- ATEX Antideflagrantes-Gas

⊕ II 2G Ex d IIB T4

⊕ II 2G Ex d IIB+H2 T4 (bajo pedido)

En versión ATEX estándar, los motores antideflagrantes se entregan sin protección térmica.

Para utilizar con convertidor de frecuencia pedir motores antideflagrantes con protector térmico tipo PTC.

- ATEX Polvo (bajo pedido)

Partículas en suspensión inflamables y polvo no conductor:

⊕ II 3D Ex tc IIIB T125°C

Polvo conductor:

⊕ II 3D Ex tc IIIC T125°C (con motor IP65)

En versión ATEX estándar, los motores ATEX para polvo se entregan sin protección térmica.

Para utilizar con convertidor de frecuencia pedir motores ATEX para polvo con protector térmico tipo PTC.

Para seleccionar modelos HDT ATEX, ver las curvas características, o bien el programa de selección de producto EASYVENT.

Los datos eléctricos de los modelos ATEX pueden variar respecto a los datos indicados en las tablas características.

Consulte la disponibilidad de otras versiones de motores ATEX.

Aplicaciones específicas

Es imprescindible comprobar que las características eléctricas (voltaje, intensidad, frecuencia, etc) del motor que aparecen en la placa del mismo son compatibles con las de la instalación.

| Código | Modelo | Tipo motor Exd | Velocidad (r.p.m.) | Ø Boca (mm) | Potencia motor (kW) | Intensidad máxima absorbida (A) | | Caudal máximo (m³/h) | Nivel de presión sonora* (dB(A)) | Peso (kg) | Grupo producto | Precio €/u. |
|---------------------|-----------|----------------|--------------------|-------------|---------------------|---------------------------------|-------|----------------------|----------------------------------|-----------|----------------|-----------------|
| | | | | | | 230 V | 400 V | | | | | |
| MONOFÁSICOS 4 POLOS | | | | | | | | | | | | |
| 5135300100 | HDB/4-315 | IIBT4 | 1300 | 315 | 0,12 | 0,9 | - | 2.240 | 56 | 11 | E01 | 2.114,38 |
| 5135303500 | HDB/4-355 | IIBT4 | 1310 | 355 | 0,18 | 1,14 | - | 3.120 | 60 | 12 | E01 | 2.197,22 |
| 5135308400 | HDB/4-400 | IIBT4 | 1320 | 400 | 0,37 | 1,9 | - | 4.780 | 65 | 15 | E01 | 2.233,70 |
| 5135304300 | HDB/4-450 | IIBT4 | 1340 | 450 | 0,55 | 2,8 | - | 8.000 | 66 | 21 | E01 | 2.303,96 |
| MONOFÁSICOS 6 POLOS | | | | | | | | | | | | |
| 5135302700 | HDB/6-355 | IIBT4 | 920 | 355 | 0,12 | 1,02 | - | 2.100 | 52 | 12 | E01 | 2.326,03 |
| 5135310000 | HDB/6-450 | IIBT4 | 900 | 450 | 0,25 | 1,8 | - | 5.300 | 58 | 17 | E01 | 2.530,42 |
| 5135311800 | HDB/6-560 | IIBT4 | 920 | 560 | 0,75 | 3,3 | - | 9.300 | 65 | 30 | E01 | 3.234,08 |
| TRIFÁSICOS 4 POLOS | | | | | | | | | | | | |
| 5135004900 | HDT/4-315 | IIBT4 | 1330 | 315 | 0,12 | 0,90 | 0,52 | 2.240 | 56 | 9,5 | E01 | 1.360,00 |
| 5135005600 | HDT/4-355 | IIBT4 | 1340 | 355 | 0,18 | 1,14 | 0,66 | 3.120 | 60 | 11 | E01 | 1.436,28 |
| 5135013000 | HDT/4-400 | IIBT4 | 1370 | 400 | 0,37 | 1,90 | 1,10 | 4.780 | 65 | 15 | E01 | 1.579,25 |
| 5135007200 | HDT/4-450 | IIBT4 | 1380 | 450 | 0,55 | 2,60 | 1,50 | 8.000 | 66 | 20 | E01 | 1.726,74 |
| 5135010600 | HDT/4-560 | IIBT4 | 1390 | 560 | 1,10 | 5,02 | 2,90 | 13.700 | 73 | 29 | E01 | 2.130,01 |
| TRIFÁSICOS 6 POLOS | | | | | | | | | | | | |
| 5135006600 | HDT/6-355 | IIBT4 | 950 | 355 | 0,18 | 1,06 | 0,61 | 2.100 | 52 | 11 | E01 | 1.484,36 |
| 5135014800 | HDT/6-400 | IIBT4 | 900 | 400 | 0,18 | 1,06 | 0,61 | 3.140 | 56 | 15 | E01 | 1.634,29 |
| 5135008000 | HDT/6-450 | IIBT4 | 900 | 450 | 0,25 | 1,73 | 1,00 | 5.300 | 58 | 16 | E01 | 1.794,32 |
| 5135011400 | HDT/6-560 | IIBT4 | 920 | 560 | 0,75 | 3,11 | 1,80 | 9.300 | 65 | 29 | E01 | 2.223,32 |
| TRIFÁSICOS 8 POLOS | | | | | | | | | | | | |
| 5135009800 | HDT/8-450 | IIBT4 | 670 | 450 | 0,11 | 1,07 | 0,62 | 4.100 | 52 | 16 | E01 | 1.730,07 |
| 5135012200 | HDT/8-560 | IIBT4 | 680 | 560 | 0,26 | 1,77 | 1,02 | 7.250 | 59 | 20 | E01 | 2.155,15 |

* Nivel de presión sonora, medido en campo libre a 1,5 metros.

Serie TH ATEX



Ventiladores helicocentrífugos de tejado, especialmente diseñados para la extracción de aire en atmósferas explosivas, fabricados en chapa de acero protegida contra la corrosión con pintura epoxi-poliéster (excepto el modelo TH-800/200, fabricado en material plástico tratado para evitar la retención de electricidad estática, base y sombrero de chapa de acero protegida contra la corrosión con pintura poliéster negra).
Incorporan reja de seguridad antipájaros.
El cuerpo-motor es desmontable sin necesidad de tocar los conductos.

Motores

- Monofásicos 230V-50Hz.
- IP44, Clase B.

- ATEX Seguridad aumentada - Gas

Para modelos 800:

⊗ IIG Ex eb IIB T3 Gb

EC: LOM 08 ATEX 2052 X Suplemento 2.

Para modelos 1100 y 1200:

⊗ IIG Ex eb IIB T3 Gb

EC: LOM 11 ATEX 2021 X Suplemento 1.

Para seleccionar modelos ATEX ver curvas características, o bien el programa de selección de producto EASYVENT.

Aplicaciones específicas

Es imprescindible comprobar que las características eléctricas (voltaje, intensidad, frecuencia, etc) del motor que aparecen en la placa del mismo son compatibles con las de la instalación.

| Código | Modelo | Velocidad (r.p.m.) | Potencia absorbida máxima (W) | Intensidad absorbida máxima (A) | Caudal en descarga libre (m³/h) | Temperatura de trabajo (°C) | Nivel de presión sonora a 3m (dB(A)) | | Peso (Kg) | Grupo producto | Precio €/u. |
|------------|----------------|--------------------|-------------------------------|---------------------------------|---------------------------------|-----------------------------|--------------------------------------|----------|-----------|----------------|-----------------|
| | | | | | | | Aspiración | Descarga | | | |
| 5220023800 | TH-800/200 EX | 2450 | 120 | 0,50 | 800 | -20/+40 | 58 | 59 | 8 | E05 | 886,72 |
| 5220025000 | TH-1100/250 EX | 2630 | 197 | 0,85 | 965 | -20/+40 | 55 | 63 | 22 | E05 | 1.202,83 |
| 5211997000 | TH-1200/315 EX | 2600 | 170 | 0,74 | 1.150 | -20/+40 | 52 | 56 | 28 | E05 | 1.387,33 |

ACCESORIOS ESPECÍFICOS

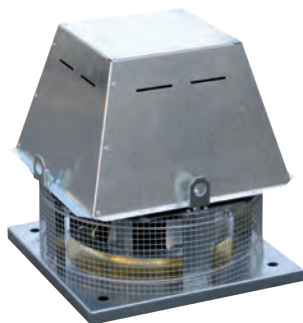
(Ver códigos y precios en Accesorios Generales)



ACOPEL EX N
Acoplamiento elástico antiexplosivos.

| Modelo extractor | Modelo Acoplamiento |
|------------------|---------------------|
| TH-800/200 EX | ACOPEL EX-200/160 N |
| TH-1100/250 EX | ACOPEL EX-250/160 N |
| TH-1200/315 EX | ACOPEL EX-315/160 N |

Serie TCDH EXD



Ventiladores centrífugos de tejado, de descarga horizontal, especialmente diseñados para la extracción de aire en atmósferas explosivas, para trabajar a temperaturas de hasta +60°C, con rodete de álabes hacia atrás de acero galvanizado y cubo de aluminio, embocadura de latón, cubierta de acero galvanizado, reja de seguridad antipájaros según norma EN ISO 13857, y motor trifásico IP55, Clase F.

Motores

De 4, 6 ó 8 polos, según versiones.
Con protección térmica PTC, para la regulación de velocidad con variador de frecuencia.
Tensión de alimentación
Trifásicos 230/400V-50Hz

Ventiladores diseñados según la Directiva ATEX, con motores trifásicos, IP55, Clase F y clasificación:

- ATEX Antideflagrantes - Gas:

⊕ II 2G Ex d IIB+H2 T4 (con motor Ex d IIC T4).

En versión ATEX estándar, los motores antideflagrantes se entregan sin protección térmica.

Para utilizar con convertidor de frecuencia pedir motores antideflagrantes con protector térmico tipo PTC.

Aplicaciones específicas

Es imprescindible comprobar que las características eléctricas (voltaje, intensidad, frecuencia, etc) del motor que aparecen en la placa del mismo son compatibles con las de la instalación.

| Código | Modelo | Motor tipo Exd | Velocidad (r.p.m.) | Potencia motor (kW) | Intensidad nominal (A) | Caudal máximo (m³/h) | Nivel de presión sonora a 1,5 m (dB(A)) | | Peso (kg) | Grupo producto | Precio €/u. |
|------------|----------------|----------------|--------------------|---------------------|------------------------|----------------------|---|----------|-----------|----------------|-----------------|
| | | | | | | | Aspiración | Descarga | | | |
| 4 POLOS | | | | | | | | | | | |
| 5136611700 | TCDH EXD 010-4 | IICT4 | 1500 | 0,25 | 1,2 | 1.120 | 58 | 62 | 22 | E05 | 2.543,79 |
| 5136611800 | TCDH EXD 020-4 | IICT4 | 1500 | 0,25 | 1,2 | 2.450 | 62 | 66 | 25 | E05 | 2.641,79 |
| 5136611900 | TCDH EXD 030-4 | IICT4 | 1500 | 0,37 | 1,5 | 3.300 | 67 | 71 | 32 | E05 | 3.192,35 |
| 5136612000 | TCDH EXD 040-4 | IICT4 | 1500 | 0,55 | 1,7 | 5.500 | 71 | 75 | 35 | E05 | 3.334,70 |
| 5136612100 | TCDH EXD 060-4 | IICT4 | 1500 | 0,75 | 2,2 | 7.000 | 74 | 78 | 57 | E05 | 3.575,48 |
| 5136612200 | TCDH EXD 080-4 | IICT4 | 1500 | 1,5 | 4 | 9.600 | 76 | 81 | 68 | E05 | 4.072,79 |
| 5136612300 | TCDH EXD 105-4 | IICT4 | 1500 | 2,2 | 5,2 | 12.800 | 79 | 84 | 90 | E05 | 4.653,06 |
| 6 POLOS | | | | | | | | | | | |
| 5136612400 | TCDH EXD 020-6 | IICT4 | 1000 | 0,18 | 1 | 1.650 | 52 | 56 | 25 | E05 | 2.497,93 |
| 5136612500 | TCDH EXD 030-6 | IICT4 | 1000 | 0,18 | 1 | 2.200 | 57 | 61 | 32 | E05 | 3.054,00 |
| 5136612600 | TCDH EXD 040-6 | IICT4 | 1000 | 0,25 | 1,4 | 3.700 | 61 | 65 | 35 | E05 | 3.220,85 |
| 5136612700 | TCDH EXD 060-6 | IICT4 | 1000 | 0,25 | 1,4 | 4.700 | 64 | 68 | 57 | E05 | 3.471,00 |
| 5136612800 | TCDH EXD 080-6 | IICT4 | 1000 | 0,37 | 1,6 | 6.500 | 66 | 71 | 68 | E05 | 3.675,09 |
| 5136612900 | TCDH EXD 105-6 | IICT4 | 1000 | 0,75 | 2,4 | 8.700 | 68 | 73 | 90 | E05 | 4.138,85 |
| 5136613000 | TCDH EXD 110-6 | IICT4 | 1000 | 1,1 | 3,4 | 11.000 | 72 | 77 | 96 | E05 | 4.554,31 |
| 5136613100 | TCDH EXD 140-6 | IICT4 | 1000 | 2,2 | 5,4 | 16.000 | 75 | 81 | 110 | E05 | 6.372,90 |
| 5136613200 | TCDH EXD 195-6 | IICT4 | 1000 | 3 | 8,5 | 22.500 | 78 | 83 | 126 | E05 | 8.070,43 |
| 5136613300 | TCDH EXD 250-6 | IICT4 | 1000 | 5,5 | 14 | 25.500 | 81 | 86 | 150 | E05 | 8.794,02 |
| 8 POLOS | | | | | | | | | | | |
| 5136613400 | TCDH EXD 060-8 | IICT4 | 750 | 0,12 | 0,85 | 3.400 | 55 | 60 | 57 | E05 | 3.600,58 |
| 5136613500 | TCDH EXD 080-8 | IICT4 | 750 | 0,18 | 1,15 | 4.800 | 59 | 63 | 68 | E05 | 3.709,69 |
| 5136613600 | TCDH EXD 105-8 | IICT4 | 750 | 0,37 | 1,5 | 6.400 | 61 | 66 | 90 | E05 | 4.415,33 |
| 5136613700 | TCDH EXD 110-8 | IICT4 | 750 | 0,55 | 2,1 | 8.200 | 64 | 69 | 96 | E05 | 4.851,26 |
| 5136613800 | TCDH EXD 140-8 | IICT4 | 750 | 1,1 | 4,1 | 12.100 | 68 | 73 | 110 | E05 | 6.364,21 |
| 5136613900 | TCDH EXD 195-8 | IICT4 | 750 | 1,5 | 4,8 | 17.000 | 71 | 76 | 126 | E05 | 6.856,49 |
| 5136614000 | TCDH EXD 250-8 | IICT4 | 750 | 3 | 8,7 | 19.200 | 74 | 79 | 150 | E05 | 9.390,29 |

ACCESORIOS DE MONTAJE ESPECÍFICOS

| Código | Modelo | Grupo producto | Precio €/u. |
|---------------|-----------|----------------|---------------|
| Marco Soporte | | | |
| 5136960800 | AJMS-1 | E01 | 143,23 |
| 5136960900 | AJMS-2 | E01 | 162,04 |
| 5136961000 | AJMS-3 | E01 | 183,54 |
| 5136961100 | AJMS-4 | E01 | 211,75 |
| 5136961200 | AJMS-5 | E01 | 241,73 |
| Base Soporte | | | |
| 5136963900 | ACH-1-300 | E01 | 240,20 |
| 5136964100 | ACH-2-300 | E01 | 274,59 |
| 5136964300 | ACH-3-300 | E01 | 321,54 |
| 5136964500 | ACH-4-300 | E01 | 394,83 |
| 5136964700 | ACH-5-300 | E01 | 448,19 |

| Código | Modelo | Grupo producto | Precio €/u. |
|---------------------|-------------|----------------|---------------|
| Placa de adaptación | | | |
| 5136961400 | AJPA-1 D250 | E01 | 57,37 |
| 5136961700 | AJPA-2 D315 | E01 | 73,91 |
| 5136962200 | AJPA-3 D450 | E01 | 100,62 |
| 5136962600 | AJPA-4 D500 | E01 | 175,36 |
| 5136963000 | AJPA-5 D630 | E01 | 227,07 |

Serie ILT ATEX



Ventiladores centrífugos in-line para conducto rectangular, de bajo perfil, especialmente diseñados para la extracción de aire en atmósferas explosivas, fabricados en chapa de acero galvanizada, tapa para inspección y limpieza, caja de bornes remota IP55, ventilador centrífugo de álabes hacia adelante equilibrado dinámicamente y motor trifásico IP55, Clase F, con rodamientos a bolas de engrase permanente, protector térmico tipo PTC incorporado, capacitados para trabajar a temperaturas entre -20°C y +55°C.

Motores

De 4 polos.

Regulables por tensión mediante autotransformador (RMT*).

Regulables por convertidor de frecuencia (VFTM*).

* Estos accesorios están certificados con el aparato. Por este motivo, no pueden ser sustituidos por otro tipo u otra marca de accesorios.

Tensión de alimentación.

Trifásicos 230/400V-50Hz

Ventiladores diseñados según la Directiva ATEX para modelos trifásicos:

- Seguridad aumentada II2G ExeIIT3 Gb.
- Certificado tipo EC nr. LOM 11ATEX2026 X.



BAJO PERFIL

Aplicaciones específicas

Es imprescindible comprobar que las características eléctricas (voltaje, intensidad, frecuencia, etc) del motor que aparecen en la placa del mismo son compatibles con las de la instalación.

| Código | Modelo | Dimensiones nominales de conducto | Velocidad (r.p.m.) | Potencia abs. máxima (W) | Intensidad absorbida máxima (A) | | Caudal máximo (m³/h) | Nivel de presión sonora* (dB(A)) | | Peso (kg) | Regulador de tensión opcional | Convertidor de frecuencia opcional | | Grupo producto | Precio €/u. |
|------------|--------------|-----------------------------------|--------------------|--------------------------|---------------------------------|------|----------------------|----------------------------------|----------|-----------|-------------------------------|------------------------------------|---------------|----------------|-----------------|
| | | | | | 230V | 400V | | Aspiración | Descarga | | | Alimentación | | | |
| | | | | | | | | | | | | 1/230V/50Hz** | 3/400V/50Hz | | |
| 5132926100 | ILT/4-225 EX | 500x250 | 1200 | 565 | 1,7 | 1 | 1.720 | 62 | 66 | 20 | RMT-1,5 | VFTM MONO 0,55 | VFTM TRI 0,55 | E02 | 1.417,64 |
| 5132926200 | ILT/4-250 EX | 500x300 | 1240 | 1150 | 3,3 | 1,9 | 2.610 | 67 | 70 | 25 | RMT-2,5 | VFTM MONO 1,1 | VFTM TRI 1,1 | E02 | 1.615,26 |
| 5132926300 | ILT/4-285 EX | 600x300 | 1200 | 1430 | 4 | 2,3 | 3.260 | 67 | 72 | 32 | RMT-2,5 | VFTM MONO 1,5 | VFTM TRI 1,5 | E02 | 2.071,61 |
| 5132926400 | ILT/4-315 EX | 600x350 | 1370 | 2300 | 8,5 | 4,9 | 4.000 | 72 | 77 | 42 | RMT-5 | VFTM MONO 2,2 | VFTM TRI 3 | E02 | 2.220,69 |

* Radiado, a 1 metro en campo libre, con conductos a la aspiración y descarga.

** Únicamente con motor 230/400V.

ACCESORIOS ESPECÍFICOS

| Código | Modelo | Grupo producto | Precio €/u. |
|--|------------|----------------|---------------|
| Acoplamientos Elásticos antiexplosivos | | | |
| 5132817800 | IAE EX-225 | E01 | 118,63 |
| 5132817900 | IAE EX-250 | E01 | 122,84 |
| 5132818000 | IAE EX-285 | E01 | 131,28 |
| 5132818100 | IAE EX-315 | E01 | 135,42 |

Serie TD ATEX



Ventiladores helicocentrífugos in-line de bajo perfil, especialmente diseñados para la extracción de aire en atmósferas explosivas, fabricados en chapa de acero protegida contra la corrosión con pintura poliéster negra (excepto el modelo TD-800/200, que está fabricado en material plástico tratado para evitar la retención de electricidad estática), cuerpo-motor desmontable sin necesidad de tocar los conductos.

Motores

Monofásicos 230V-50Hz.

IP44, Clase B.

Temperatura de trabajo de -20°C a +40°C.

Dotados de motores antiexplosivos, de acuerdo a la directiva ATEX 94/9/CE.

Para modelo 800:

- Seguridad aumentada $\text{Ex II 2G Ex eb IIB T3 Gb}$
EC nr. LOM 08ATEX2052 X Suplemento 2.

Para modelos 1100 y 1200:

- Seguridad aumentada $\text{Ex II 2G Ex eb IIB T3 Gb}$
EC nr. LOM 11ATEX2021 X Suplemento 1.

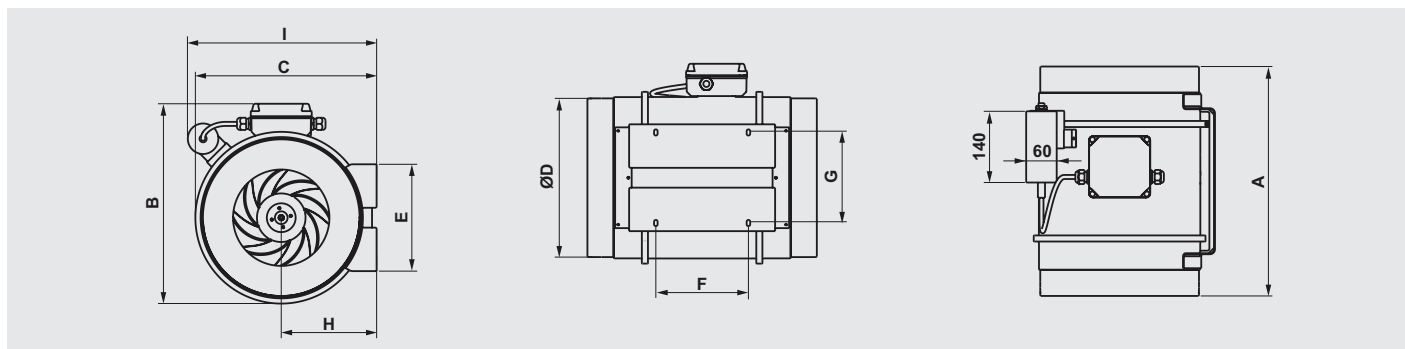
Aplicaciones específicas



| Código | Modelo | Velocidad (r.p.m.) | Potencia abs. máxima (W) | Intensidad abs. máxima (A) | Caudal en descarga libre (m³/h) | Temperatura de trabajo (°C) | Nivel de presión sonora* (dB(A)) | | | Ø Conducto (mm) | Peso (kg) | Grupo producto | Precio €/u. |
|------------|------------------|--------------------|--------------------------|----------------------------|---------------------------------|-----------------------------|----------------------------------|---------|----------|-----------------|-----------|----------------|-------------|
| | | | | | | | Aspiración | Radiado | Descarga | | | | |
| 5211999800 | TD-800/200 ATEX | 2450 | 120 | 0,50 | 1020 | -20/+40 | 53 | 43 | 55 | 200 | 5 | E22 | 517,41 |
| 5211995500 | TD-1100/250 ATEX | 2630 | 197 | 0,81 | 1130 | -20/+40 | 59 | 46 | 65 | 250 | 20 | E22 | 740,61 |
| 5211996900 | TD-1200/315 ATEX | 2600 | 170 | 0,71 | 1320 | -20/+40 | 56 | 44 | 59 | 315 | 25 | E22 | 854,20 |

* Nivel de presión sonora, medida a 3 metros en campo libre, en el punto "B" de la curva característica.

DIMENSIONES (mm)



| | A | B | C | ØD | E | F | G | H | I |
|------------------|-----|-----|-------|-----|-----|-----|-----|-----|-------|
| TD-800/200-ATEX | 302 | 255 | 232,5 | 198 | 140 | 100 | 94 | 124 | 275,6 |
| TD-1100/250-ATEX | 386 | 324 | 291 | 248 | 168 | 145 | 140 | 155 | 339 |
| TD-1200/315-ATEX | 450 | 392 | 356 | 312 | 210 | 182 | 178 | 188 | 371 |

Serie CMPT ATEX



Configuración descarga circular



Configuración descarga rectangular

Ventiladores centrífugos de simple aspiración, capacitados para trasegar gases corrosivos en atmósferas explosivas, fabricados con carcasa de polipropileno antiestático inyectado, rodete de álabes hacia adelante de polipropileno antiestático, soporte motor, junta anticorrosiva antifuga de gases y tornillería de acero inoxidable, motor IP55, Clase F, para trabajar a temperaturas entre -10 y 50°C.

Motores

De 2, 4 ó 6 polos, según modelos.
Tensión de alimentación
Trifásicos 230/400V-50Hz

Ventiladores diseñados según la Directiva ATEX para modelos trifásicos.

Para trabajar a temperaturas de -10°C a +40°C.

Motor IP55, Clase F.

- Antideflagrantes

Ⓜ II 2G Exd IIB T4

Ⓜ II 2G Exd IIB+H2 T4, con motor Exd IIC T4 (bajo pedido)

Para seleccionar modelos CMPT ATEX, ver las curvas características, o bien el programa de selección de producto EASYVENT.

Los datos eléctricos de los modelos ATEX pueden variar respecto a los datos indicados en las tablas características

Otros datos

Voluta con 8 distintas orientaciones posibles.

Orientación estándar LG0.

Material del soporte motor:

Nylon (modelos 14 a 25)

Polipropileno (modelos 30 y 35)

Chapa de acero (modelo 42)

Bajo demanda, modelos con:

Motores de 2 velocidades.

Aplicaciones Específicas

Ambientes
corrosivos



Es imprescindible comprobar que las características eléctricas (voltaje, intensidad, frecuencia, etc) del motor que aparecen en la placa del mismo son compatibles con las de la instalación.

| Código | Modelo | Motor tipo EExd | Velocidad (r.p.m.) | Tamaño motor (mm) | Potencia motor (kW) | Intensidad máxima absorbida | | Caudal máximo (m³/h) | Nivel de presión sonora* (dB(A)) | Peso (kg) | Grupo producto | Precio €/u. |
|--------------------|---------------------|-----------------|--------------------|-------------------|---------------------|-----------------------------|-------|----------------------|----------------------------------|-----------|----------------|-------------|
| | | | | | | 230V | 400V | | | | | |
| TRIFÁSICOS 2 POLOS | | | | | | | | | | | | |
| 5154011300 | CMPT/2-14-0,18 EXD | IIBT4 | 2900 | 63 | 0,18 | 0,97 | 0,56 | 730 | 60 | 4 | E01 | 5.058,92 |
| 5154011400 | CMPT/2-20A-0,55 EXD | IIBT4 | 2900 | 71 | 0,55 | 2,34 | 1,35 | 900 | 68 | 11 | E01 | 6.143,85 |
| 5154005600 | CMPT/2-20-1,1 EXD | IIBT4 | 2900 | 80 | 1,1 | 4,33 | 2,50 | 2.100 | 72 | 13 | E01 | 6.328,81 |
| TRIFÁSICOS 4 POLOS | | | | | | | | | | | | |
| 5154005400 | CMPT/4-14-0,18 EXD | IIBT4 | 1450 | 63 | 0,18 | 1,09 | 0,63 | 350 | 45 | 4 | E01 | 5.058,92 |
| 5154006500 | CMPT/4-20-0,18 EXD | IIBT4 | 1450 | 63 | 0,18 | 1,09 | 0,63 | 1.220 | 60 | 8 | E01 | 5.486,32 |
| 5154010600 | CMPT/4-20A-0,25 EXD | IIBT4 | 1450 | 71 | 0,25 | 1,09 | 0,63 | 530 | 54 | 9 | E01 | 5.330,15 |
| 5154011500 | CMPT/4-25-0,55 EXD | IIBT4 | 1450 | 80 | 0,55 | 2,42 | 1,40 | 2.680 | 60 | 15 | E01 | 6.328,81 |
| 5154006300 | CMPT/4-30-1,1 EXD | IIBT4 | 1450 | 90 | 1,1 | 4,49 | 2,59 | 4.240 | 69 | 29 | E01 | 7.594,54 |
| 5154005700 | CMPT/4-35-3 EXD | IIBT4 | 1450 | 100 | 3 | 11,22 | 6,48 | 6.470 | 72 | 48 | E01 | 10.989,07 |
| 5154011600 | CMPT/4-42-5,5 EXD | IIBT4 | 1450 | 132 | 5,5 | - | 11,10 | 8.500 | 75 | 88 | E01 | 16.887,46 |
| 5154005300 | CMPT/4-42-7,5 EXD | IIBT4 | 1450 | 132 | 7,5 | - | 14,80 | 11.220 | 80 | 102 | E01 | 19.705,53 |
| TRIFÁSICOS 6 POLOS | | | | | | | | | | | | |
| 5154011700 | CMPT/6-20-0,09 EXD | IIBT4 | 950 | 71 | 0,09 | 1,11 | 0,64 | 850 | 51 | 8 | E01 | 5.486,32 |
| 5154011800 | CMPT/6-25-0,37 EXD | IIBT4 | 950 | 71 | 0,37 | 1,11 | 0,64 | 1.810 | 51 | 13 | E01 | 5.916,89 |
| 5154012100 | CMPT/6-30-0,37 EXD | IIBT4 | 950 | 80 | 0,37 | 1,80 | 1,04 | 2.760 | 60 | 25 | E01 | 7.167,13 |
| 5154011900 | CMPT/6-35-1,5 EXD | IIBT4 | 950 | 100 | 1,5 | 5,63 | 3,25 | 4.780 | 64 | 42 | E01 | 9.698,68 |
| 5154012000 | CMPT/6-42-3 EXD | IIBT4 | 950 | 132 | 3 | 11,95 | 6,90 | 8.330 | 71 | 88 | E01 | 18.115,10 |

* a 1,5 m en campo libre.



282 UTBS ECOWATT



288 UTBS PRO-REG



295 CAIB/T PRO-REG

Todos los motores incorporados en nuestros productos cumplen con el Reglamento CE n° 640/2009.



Series que cumplen con la Directiva ErP.

Serie UTBS ECOWATT



Programa de selección de producto
S&P dispone de un programa de selección de unidades de tratamiento.

Existen 4 tamaños distintos, para mover caudales desde 500 hasta 8.000 m³/h:

- UTBS-2: Caudales de 500 a 2.150 m³/h y 360 mm de altura.
- UTBS-3: Caudales de 1.200 a 4.400 m³/h y 410 mm de altura.
- UTBS-5: caudales de 2.400 a 6.000 m³/h y 410 mm de altura.
- UTBS-8: Caudales de 4.000 a 8.000 m³/h y 500 mm de altura.

Módulo principal compuesto por 3 secciones; filtración, baterías y ventilador.

Sección filtración con dos alternativas:

- Versión Larga P F7 con capacidad para el montaje de dos filtros :F7 de muy baja pérdida de carga incorporado y posibilidad de montaje de un segundo filtro [suministrado como accesorio].
- Versión corta M5 con capacidad para el montaje de un único filtro M5.

Sección baterías con opción de equipar baterías de agua, expansión directa o resistencias eléctricas de apoyo.

Sección ventilador, permite orientar la salida de aire hacia arriba o frontalmente, mediante intercambio de los paneles frontales y superior.

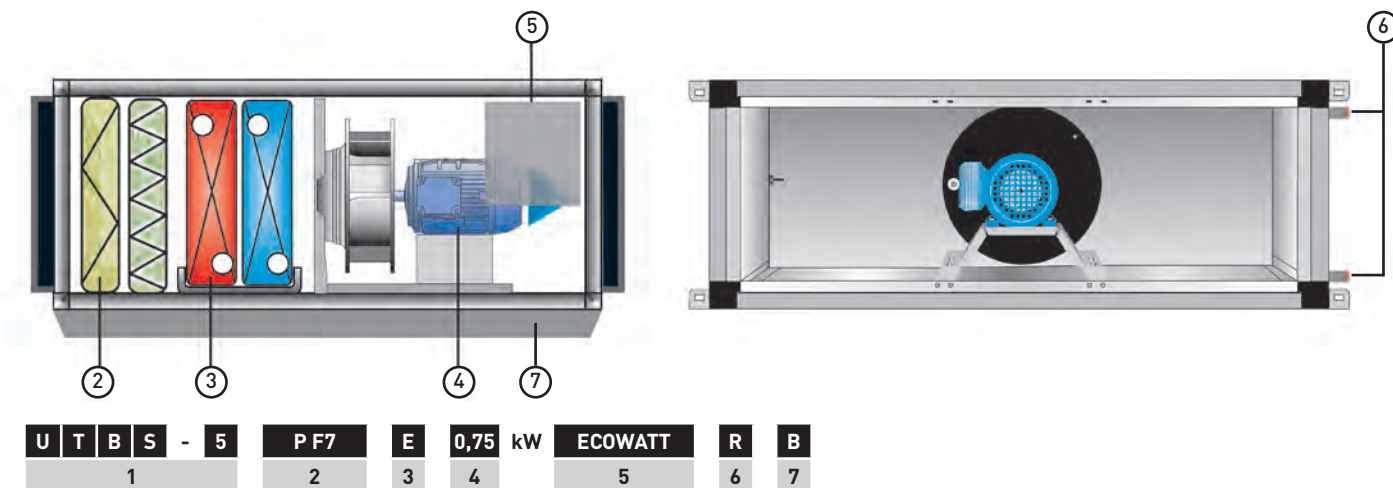
Disponible en ejecución sobre bancada perimetral y tejadillo (accesorios) posibilitando el montaje en el exterior. Temperatura ambiente mínima -10°C.

Componentes / Módulos

- Silenciadores
- Caja de mezclas

Otras configuraciones disponibles mediante programa de selección de unidades de tratamiento.

REFERENCIA



1. TAMAÑO

- UTBS-2
- UTBS-3
- UTBS-5
- UTBS-8

2. ETAPA DE FILTRACIÓN

P F7: Filtro F7 con capacidad para el montaje de un filtro adicional (accesorio). Sistema de apriete de filtros de elevada estanqueidad, mediante brazos articulados.

M5: Filtro M5 montado mediante sistema de guías sin dispositivos de apriete del filtro. No permite montaje de filtros adicionales. Sin prefiltro. Espacio disponible para montaje como accesorio.

3. ETAPA BATERIAS

- Ø: Sin baterías.
- E: Batería Eléctrica
- H2: Batería agua caliente 2 filas
- H4: Batería agua caliente 4 filas
- C4: Batería agua fría 4 filas
- C6: Batería agua fría 6 filas
- X4: Batería expansión directa 4 filas
- X6: Batería expansión directa 6 filas
- C4 H2: Batería agua fría 4 filas + Batería agua caliente 2 filas
- C6 H2: Batería agua fría 6 filas + Batería agua caliente 2 filas
- C4 E: Batería agua fría 4 filas + Batería eléctrica
- C6 E: Batería agua fría 6 filas + Batería eléctrica

4. POTENCIA MOTORES

- 0,46 kW para UTBS-2
- 0,9 kW para UTBS-3
- 1,7 kW para UTBS-5
- 2,0 kW para UTBS-8

5. TIPO DE VENTILADORES

ECOWATT: Ventiladores de alta eficiencia EC-Technology

6. LADO DE LAS CONEXIONES [Según el sentido del aire]

- R: Conexiones a la derecha
- L: Conexiones a la izquierda

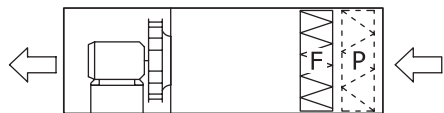
7. BANCADA

- B: Con bancada (Montada en fábrica)
- Ø: Sin bancada

CONFIGURACIONES

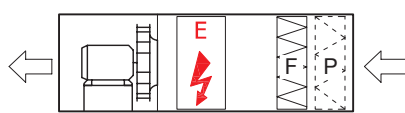
VERSIONES P F7 CON POSIBILIDAD DE MONTAJE DE DOS FILTROS (CHASIS LARGO)

Solo ventilación

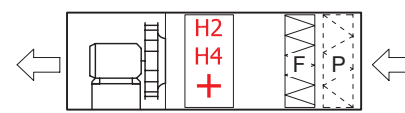


P: Prefiltro G4/M5 (accesorio)
F: Filtro F7

Ventilación + calefacción

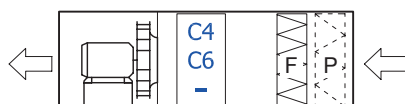


P: Prefiltro G4/M5 (accesorio)
F: Filtro F7
E: Batería eléctrica (E4.5 a E45)

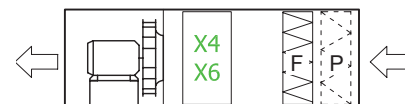


P: Prefiltro G4/M5 (accesorio)
F: Filtro F7
H2: Batería agua caliente 2 filas
H4: Batería agua caliente 4 filas

Ventilación + refrigeración

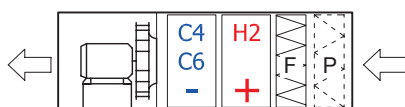


P: Prefiltro G4/M5 (accesorio)
F: Filtro F7
C4: Batería agua fría 4 filas
C6: Batería agua fría 6 filas

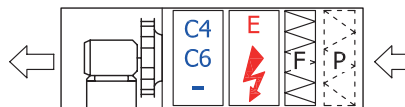


P: Prefiltro G4/M5 (accesorio)
F: Filtro F7
X4: Batería expansión directa DX 4 filas
X6: Batería expansión directa DX 6 filas

Ventilación + calefacción + refrigeración



P: Prefiltro G4/M5 (accesorio)
F: Filtro F7
H2: Batería agua caliente 2 filas
C4: Batería agua fría 4 filas
C6: Batería agua fría 6 filas

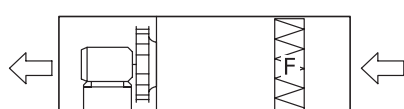


P: Prefiltro G4/M5 (accesorio)
F: Filtro F7
E: Batería eléctrica (E4.5 a E45)
C4: Batería agua fría 4 filas
C6: Batería agua fría 6 filas

Todas las versiones están disponibles con mantenimiento por el lado derecho o izquierdo (siguiendo en sentido del aire).

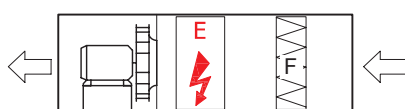
VERSIONES M5 CON UN ÚNICO FILTRO (CHASIS CORTO)

Solo ventilación

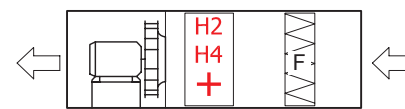


F: Filtro M5

Ventilación + calefacción

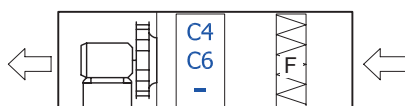


F: Filtro M5
E: Batería eléctrica (E4.5 a E45)

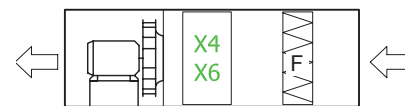


F: Filtro M5
H2: Batería agua caliente 2 filas
H4: Batería agua caliente 4 filas

Ventilación + refrigeración

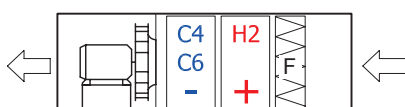


F: Filtro M5
C4: Batería agua fría 4 filas
C6: Batería agua fría 6 filas

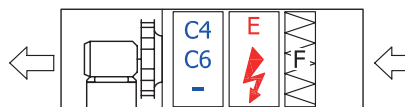


F: Filtro M5
X4: Batería expansión directa DX 4 filas
X6: Batería expansión directa DX 6 filas

Ventilación + calefacción + refrigeración



F: Filtro M5
H2: Batería agua caliente 2 filas
C4: Batería agua fría 4 filas
C6: Batería agua fría 6 filas



F: Filtro M5
E: Batería eléctrica (E4.5 a E45)
C4: Batería agua fría 4 filas
C6: Batería agua fría 6 filas

Todas las versiones están disponibles con mantenimiento por el lado derecho o izquierdo (siguiendo en sentido del aire).

CARACTERÍSTICAS TÉCNICAS

SECCIÓN VENTILADOR

El modelo UBTS-2 incorpora un ventilador, mientras que los modelos UTBS-3, 5 y 8 incorporan dos ventiladores. Cada modelo tiene asociado un determinado tamaño de ventilador y motor. Mediante el potenciómetro existente en el armario de control es posible adecuar el punto de trabajo a las necesidades de cada instalación, obteniendo una elevada eficiencia en el punto de trabajo requerido.

| Modelo | Caudal máximo (m³/h) | | | Ventiladores | | | | |
|--------|----------------------|-----------------------|-------------------|--------------|-------------------------|----------------------------------|---------------------|------------------------|
| | Batería agua fría/DX | Batería agua caliente | Batería eléctrica | Cantidad | Tensión de alimentación | Nivel de presión sonora (r.p.m.) | Potencia motor (kW) | Intensidad máxima* (A) |
| | | | | | | | | |
| UTBS-2 | 1300 | 2150 | 2150 | 1 | 230/I/50 | 2850 | 0,45 | 2 |
| UTBS-3 | 2600 | 4000 | 4000 | 2 | 230/I/50 | 2850 | 2 x 0,45 | 3,9 |
| UTBS-5 | 3750 | 5800 | 5800 | 2 | 230/I/50 | 2830 | 2 x 0,85 | 7,2 |
| UTBS-8 | 6100 | 8000 | 8000 | 2 | 400/III/50 | 2600 | 2 x 1 | 3,6 |

* En unidades con dos ventiladores, el valor corresponde a la suma de ambos ventiladores.

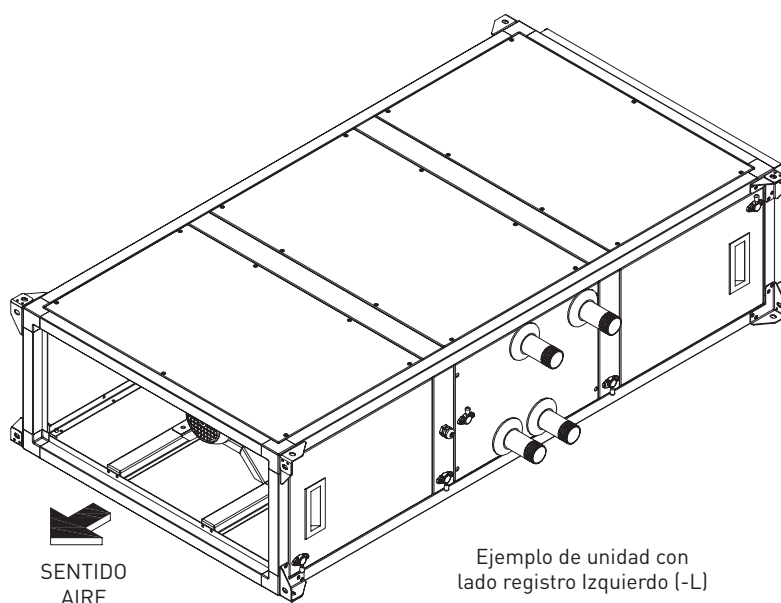
SECCIÓN BATERÍAS

Baterías de agua

La sección puede estar formada por una batería de frío o calor, o bien por dos baterías, una de frío y otra de calor. Los equipos se pueden suministrar con baterías de calor de 2 ó 4 filas y baterías de frío de 4 ó 6 filas. En caso de instalar una batería de frío, la sección dispone de una bandeja para la recogida de condensados totalmente construida en acero inoxidable AISI 304 y un separador de gotas para evitar el arrastre de las mismas. Tanto la salida de las conexiones como el drenaje de los condensados se puede realizar por la derecha o por la izquierda del equipo.

| Modelo | Caudal aire (m³/h) | Potencia térmica baterías (kW) | | | | | | Conexiones entrada/salida |
|--------|--------------------|--------------------------------|-----------|-----------|-----------|-------------------|----------|---------------------------|
| | | Batería agua caliente | | | | Batería agua fría | | |
| | | H2 | | H4 | | C4 | C6 | |
| | | 80°C/60°C | 50°C/45°C | 80°C/60°C | 50°C/45°C | 7°C/12°C | 7°C/12°C | |
| UTBS-2 | 900 | 11,9 | 8,3 | 18,2 | 22,7 | 8,1 | 9,6 | 1-1/4" GM |
| | 1.200 | 14,4 | 10,0 | 22,7 | 15,5 | 10,0 | 11,9 | |
| UTBS-3 | 1.700 | 23,5 | 16,0 | 34,7 | 23,5 | 15,5 | 20,0 | 1-1/4" GM |
| | 2.500 | 30,5 | 20,9 | 46,8 | 31,9 | 20,5 | 23,3 | |
| UTBS-5 | 2.500 | 33,9 | 23,3 | 51,2 | 34,7 | 23,2 | 29,2 | 1-1/4" GM |
| | 3.500 | 42,7 | 29,4 | 66,6 | 45,2 | 29,6 | 38,4 | |
| UTBS-8 | 4.000 | 55,0 | 37,7 | 81,4 | 55,4 | 36,0 | 46,8 | 1-1/2" GM |
| | 6.000 | 72,5 | 49,8 | 111,5 | 76,1 | 48,2 | 64,8 | |

*Temperatura entrada aire -5°C, Hum.Rel 80%.
**Temperatura entrada aire 32°C, Hum.Rel 50%.



SENTIDO AIRE

Ejemplo de unidad con lado registro izquierdo (-L)

Baterías de eléctricas

El equipo se puede suministrar con baterías eléctricas formadas por resistencias blindadas con un marco de chapa galvanizada. Las baterías disponen de protecciones con rearme manual y rearme automático incorporados. La batería incorpora una pantalla antirradiación para proteger los filtros.

| Modelo | Potencias eléctricas disponibles / Etapas | | | | | |
|--------|---|---------------|-----|---------------|-----|---------------|
| UTBS-2 | E4,5 | 4,5 kW/ 1et. | E15 | 15,0 kW/ 2et. | | |
| UTBS-3 | E6 | 6,0 kW/ 1et. | E15 | 15,0 kW/ 2et. | E24 | 24,0 kW/ 2et. |
| UTBS-5 | E9 | 9,0 kW/ 2et. | E15 | 15,0 kW/ 2et. | E36 | 36,0 kW/ 3et. |
| UTBS-8 | E15 | 15,0 kW/ 2et. | E24 | 24,0 kW/ 2et. | E45 | 45,0 kW/ 3et. |

Baterías expansión directa (DX)

El equipo se puede suministrar con baterías de expansión directa para gas R-410A. Compatibles con los principales Kit de control del mercado

Baterías 4 filas

Para aplicaciones con 100% aire recirculado

| Denom. | Caudal aire (m³/h) | Volumen (dm³) | Nº Etapas | Ø Distribuidor líquido | Ø Colector Gas | REFRIGERACIÓN | | | | | CONDENSACIÓN | | | | |
|--------|--------------------|---------------|-----------|------------------------|----------------|---------------------|------------------------|--------------------------|---------------------|----------------|-----------------------|------------------------|--------------------------|---------------------|----------------|
| | | | | | | Potencia frío* (kW) | Temp. Salida aire (°C) | Hum.Rel. Salida aire (%) | Caudal R410A (kg/h) | ΔP R410A (kPa) | Potencia Calor** (kW) | Temp. Salida aire (°C) | Hum.Rel. Salida aire (%) | Caudal R410A (kg/h) | ΔP R410A (kPa) |
| UTBS-2 | 1.250 | 1,2 | 1 | 3/8" | 5/8" | 4,6 | 14,2 | 87 | 84,6 | 14,9 | 4,9 | 32,7 | 25 | 87,9 | 9,6 |
| UTBS-3 | 2.500 | 2,21 | 1 | 1/2" | 5/8" | 8,8 | 14,4 | 87 | 163,3 | 13,0 | 8,0 | 33,6 | 28 | 143,4 | 6,1 |
| UTBS-5 | 3.500 | 2,41 | 1 | 1/2" | 5/8" | 10,9 | 15,2 | 85 | 200,0 | 10,9 | 10,0 | 32,7 | 30 | 180,2 | 5,1 |
| UTBS-8 | 6.000 | 4,4 | 1 | 1/2" | 5/8" | 19,9 | 14,9 | 86 | 368,3 | 22,1 | 17,2 | 32,7 | 30 | 310,1 | 8,8 |

*Entrada aire: 24°C / 50%H.R.

**Entrada aire: 21°C / 50%H.R.

Baterías 6 filas

Para aplicaciones con 50% Aire exterior / 50% Aire recirculado

| Denom. | Caudal aire (m³/h) | Volumen (dm³) | Nº Etapas | Ø Distribuidor líquido | Ø Colector Gas | REFRIGERACIÓN | | | | | CONDENSACIÓN | | | | |
|--------|--------------------|---------------|-----------|------------------------|----------------|---------------------|------------------------|--------------------------|---------------------|----------------|-----------------------|------------------------|--------------------------|---------------------|----------------|
| | | | | | | Potencia frío* (kW) | Temp. Salida aire (°C) | Hum.Rel. Salida aire (%) | Caudal R410A (kg/h) | ΔP R410A (kPa) | Potencia Calor** (kW) | Temp. Salida aire (°C) | Hum.Rel. Salida aire (%) | Caudal R410A (kg/h) | ΔP R410A (kPa) |
| UTBS-2 | 1.250 | 2 | 1 | 1/2" | 5/8" | 10,0 | 14,5 | 94 | 185,3 | 8,6 | 10,5 | 34,4 | 17 | 190,5 | 5,1 |
| UTBS-3 | 2.500 | 3,31 | 1 | 1/2" | 5/8" | 19,4 | 14,9 | 94 | 358,6 | 25,3 | 19,9 | 30,8 | 18 | 359,0 | 13,7 |
| UTBS-5 | 3.500 | 4,3 | 1 | 1/2" | 3/4" | 26,6 | 15,2 | 94 | 490,5 | 18,6 | 27,6 | 30,6 | 18 | 498,0 | 10,3 |
| UTBS-8 | 6.000 | 8,4 | 2 | 2 x 1/2" | 2x 3/4" | 47,8 | 14,6 | 94 | 882,0 | 25,3 | 49,8 | 31,8 | 17 | 897,0 | 12,3 |

*Entrada aire: 29°C / 55%H.R.

**Entrada aire: 8°C / 75%H.R.

SECCIÓN FILTRADO

Sección filtración con dos alternativas:

- Versión Larga **P F7** con capacidad para el montaje de dos filtros: F7 de muy baja pérdida de carga incorporado y posibilidad de montaje de un segundo filtro [suministrado como accesorio]. El sistema de apriete de filtros mediante brazos articulados garantiza una excelente estanqueidad del conjunto de filtros. Filtros disponibles G4, M5 y F9.

- Versión corta **M5** con capacidad para el montaje de un único filtro M5 montado mediante sistema de guías sin dispositivos de apriete del filtro.

Filtros disponibles F6, F8 ó F9 con eficacias desde el 60%

Los filtros han sido fabricados de acuerdo con la norma UNE 779:2013

Configuraciones sin baterías (solo ventilación)

| Versión corta (Filtro único M5) | L | R | Grupo producto | Precio €/u. |
|---------------------------------|------------|------------|----------------|-----------------|
| UTBS-2 M5 0,46 KW ECOWATT | 5160262000 | 5160261600 | E09 | 2.645,92 |
| UTBS-3 M5 0,9 KW ECOWATT | 5160262100 | 5160261700 | E09 | 3.979,86 |
| UTBS-5 M5 1,7 KW ECOWATT | 5160262200 | 5160261800 | E09 | 5.764,65 |
| UTBS-8 M5 2 KW ECOWATT | 5160262300 | 5160261900 | E09 | 6.728,61 |

| Versión larga (Doble filtro F7+Accesorio) | L | R | Grupo producto | Precio €/u. |
|---|------------|------------|----------------|-----------------|
| UTBS-2 P F7 0,46 KW ECOWATT | 5160269700 | 5160262400 | E09 | 2.958,38 |
| UTBS-3 P F7 0,9 KW ECOWATT | 5160269800 | 5160262500 | E09 | 4.389,87 |
| UTBS-5 P F7 1,7 KW ECOWATT | 5160269900 | 5160262600 | E09 | 6.214,26 |
| UTBS-8 P F7 2 KW ECOWATT | 5160270000 | 5160262700 | E09 | 7.192,05 |

Configuraciones con baterías eléctricas

| Versión corta (Filtro único M5) | L | R | Grupo producto | Precio €/u. |
|---------------------------------|------------|------------|----------------|-----------------|
| UTBS-2 M5 E4, 5,0,46 KW ECOWATT | 5160239600 | 5160233100 | E09 | 3.518,43 |
| UTBS-2 M5 E15 0,46 KW ECOWATT | 5160239700 | 5160233200 | E09 | 3.937,34 |
| UTBS-3 M5 E6 0,9 KW ECOWATT | 5160239800 | 5160233300 | E09 | 4.974,47 |
| UTBS-3 M5 E15 0,9 KW ECOWATT | 5160239900 | 5160233400 | E09 | 5.327,43 |
| UTBS-3 M5 E24 0,9 KW ECOWATT | 5160240000 | 5160233500 | E09 | 5.996,61 |
| UTBS-5 M5 E9 1,7 KW ECOWATT | 5160240100 | 5160233600 | E09 | 7.138,14 |
| UTBS-5 M5 E15 1,7 KW ECOWATT | 5160240200 | 5160233700 | E09 | 7.230,22 |
| UTBS-5 M5 E36 1,7 KW ECOWATT | 5160240300 | 5160233800 | E09 | 8.238,11 |
| UTBS-8 M5 E15 2 KW ECOWATT | 5160240400 | 5160233900 | E09 | 8.370,12 |
| UTBS-8 M5 E24 2 KW ECOWATT | 5160240500 | 5160234000 | E09 | 8.950,87 |
| UTBS-8 M5 E45 2 KW ECOWATT | 5160240600 | 5160234100 | E09 | 9.572,80 |

| Versión larga (Doble filtro F7+Accesorio) | L | R | Grupo producto | Precio €/u. |
|---|------------|------------|----------------|------------------|
| UTBS-2 P F7 E4,5 0,46 KW ECOWATT | 5160269300 | 5160262800 | E09 | 3.830,87 |
| UTBS-2 P F7 E15 0,46 KW ECOWATT | 5160269400 | 5160262900 | E09 | 4.249,80 |
| UTBS-3 P F7 E6 0,9 KW ECOWATT | 5160269500 | 5160263000 | E09 | 5.384,49 |
| UTBS-3 P F7 E15 0,9 KW ECOWATT | 5160269600 | 5160263100 | E09 | 5.737,45 |
| UTBS-3 P F7 E24 0,9 KW ECOWATT | 5160270100 | 5160263200 | E09 | 6.406,64 |
| UTBS-5 P F7 E9 1,7 KW ECOWATT | 5160270200 | 5160263300 | E09 | 7.587,82 |
| UTBS-5 P F7 E15 1,7 KW ECOWATT | 5160270300 | 5160263400 | E09 | 7.679,89 |
| UTBS-5 P F7 E36 1,7 KW ECOWATT | 5160270400 | 5160263500 | E09 | 8.687,79 |
| UTBS-8 P F7 E15 2 KW ECOWATT | 5160270500 | 5160263600 | E09 | 8.833,51 |
| UTBS-8 P F7 E24 2 KW ECOWATT | 5160270600 | 5160263700 | E09 | 9.428,44 |
| UTBS-8 P F7 E45 2 KW ECOWATT | 5160270700 | 5160263800 | E09 | 10.036,18 |

Configuraciones con baterías de agua caliente de dos filas (H2)

| Versión corta (Filtro único M5) | L | R | Grupo producto | Precio €/u. |
|---------------------------------|------------|------------|----------------|-----------------|
| UTBS-2 M5 H2 0,46 KW ECOWATT | 5160240700 | 5160234200 | E09 | 3.457,87 |
| UTBS-3 M5 H2 0,9 KW ECOWATT | 5160240800 | 5160234300 | E09 | 4.862,02 |
| UTBS-5 M5 H2 1,7 KW ECOWATT | 5160240900 | 5160234400 | E09 | 6.943,86 |
| UTBS-8 M5 H2 2 KW ECOWATT | 5160241000 | 5160234500 | E09 | 8.029,45 |

| Versión larga (Doble filtro F7+Accesorio) | L | R | Grupo producto | Precio €/u. |
|---|------------|------------|----------------|-----------------|
| UTBS-2 P F7 H2 0,46 KW ECOWATT | 5160270800 | 5160263900 | E09 | 3.770,33 |
| UTBS-3 P F7 H2 0,9 KW ECOWATT | 5160270900 | 5160264000 | E09 | 5.272,04 |
| UTBS-5 P F7 H2 1,7 KW ECOWATT | 5160271000 | 5160264100 | E09 | 7.393,54 |
| UTBS-8 P F7 H2 2 KW ECOWATT | 5160271100 | 5160264200 | E09 | 8.492,85 |

Configuraciones con baterías de agua caliente de cuatro filas (H4)

| Versión corta (Filtro único M5) | L | R | Grupo producto | Precio €/u. |
|---------------------------------|------------|------------|----------------|-----------------|
| UTBS-2 M5 H4 0,46 KW ECOWATT | 5160241100 | 5160234600 | E09 | 3.567,15 |
| UTBS-3 M5 H4 0,9 KW ECOWATT | 5160241200 | 5160234700 | E09 | 5.100,97 |
| UTBS-5 M5 H4 1,7 KW ECOWATT | 5160241300 | 5160234800 | E09 | 7.162,85 |
| UTBS-8 M5 H4 2 KW ECOWATT | 5160241400 | 5160234900 | E09 | 8.472,93 |

| Versión larga (Doble filtro F7+Accesorio) | L | R | Grupo producto | Precio €/u. |
|---|------------|------------|----------------|-----------------|
| UTBS-2 P F7 H4 0,46 KW ECOWATT | 5160271200 | 5160264300 | E09 | 3.879,59 |
| UTBS-3 P F7 H4 0,9 KW ECOWATT | 5160271300 | 5160264400 | E09 | 5.511,01 |
| UTBS-5 P F7 H4 1,7 KW ECOWATT | 5160271400 | 5160264500 | E09 | 7.612,51 |
| UTBS-8 P F7 H4 2 KW ECOWATT | 5160271500 | 5160264600 | E09 | 8.936,32 |

Configuraciones con baterías de agua fría reversible 4 filas (C4)

| Versión corta (Filtro único M5) | L | R | Grupo producto | Precio €/u. |
|---------------------------------|------------|------------|----------------|-----------------|
| UTBS-2 M5 C4 0,46 KW ECOWATT | 5160241500 | 5160235000 | E09 | 3.868,97 |
| UTBS-3 M5 C4 0,9 KW ECOWATT | 5160241600 | 5160235100 | E09 | 5.505,84 |
| UTBS-5 M5 C4 1,7 KW ECOWATT | 5160241700 | 5160235200 | E09 | 7.571,39 |
| UTBS-8 M5 C4 2 KW ECOWATT | 5160241800 | 5160235300 | E09 | 9.101,25 |

| Versión larga (Doble filtro F7+Accesorio) | L | R | Grupo producto | Precio €/u. |
|---|------------|------------|----------------|-----------------|
| UTBS-2 P F7 C4 0,46 KW ECOWATT | 5160271600 | 5160264700 | E09 | 4.181,40 |
| UTBS-3 P F7 C4 0,9 KW ECOWATT | 5160271700 | 5160264800 | E09 | 5.915,88 |
| UTBS-5 P F7 C4 1,7 KW ECOWATT | 5160271800 | 5160264900 | E09 | 8.021,06 |
| UTBS-8 P F7 C4 2 KW ECOWATT | 5160271900 | 5160265000 | E09 | 9.564,64 |

Configuraciones con baterías de agua fría reversible 6 filas (C6)

| Versión corta (Filtro único M5) | L | R | Grupo producto | Precio €/u. |
|---------------------------------|------------|------------|----------------|-----------------|
| UTBS-2 M5 C6 0,46 KW ECOWATT | 5160241900 | 5160235400 | E09 | 3.928,30 |
| UTBS-3 M5 C6 0,9 KW ECOWATT | 5160242000 | 5160235500 | E09 | 5.630,90 |
| UTBS-5 M5 C6 1,7 KW ECOWATT | 5160242100 | 5160235600 | E09 | 7.946,23 |
| UTBS-8 M5 C6 2 KW ECOWATT | 5160242200 | 5160235700 | E09 | 9.572,57 |

| Versión larga (Doble filtro F7+Accesorio) | L | R | Grupo producto | Precio €/u. |
|---|------------|------------|----------------|------------------|
| UTBS-2 P F7 C6 0,46 KW ECOWATT | 5160272000 | 5160265100 | E09 | 4.240,76 |
| UTBS-3 P F7 C6 0,9 KW ECOWATT | 5160272100 | 5160265200 | E09 | 6.040,92 |
| UTBS-5 P F7 C6 1,7 KW ECOWATT | 5160272200 | 5160265300 | E09 | 8.397,31 |
| UTBS-8 P F7 C6 2 KW ECOWATT | 5160272300 | 5160265400 | E09 | 10.035,97 |

Configuraciones con baterías de expansión directa (X4)

| Versión corta (Filtro único M5) | L | R | Grupo producto | Precio €/u. |
|---------------------------------|------------|------------|----------------|-----------------|
| UTBS-2 M5 X4 0,46 KW ECOWATT | 5160242300 | 5160235800 | E09 | 3.780,70 |
| UTBS-3 M5 X4 0,9 KW ECOWATT | 5160242400 | 5160235900 | E09 | 5.385,37 |
| UTBS-5 M5 X4 1,7 KW ECOWATT | 5160242500 | 5160236000 | E09 | 7.448,97 |
| UTBS-8 M5 X4 2 KW ECOWATT | 5160242600 | 5160236100 | E09 | 8.853,93 |

| Versión larga (Doble filtro F7+Accesorio) | L | R | Grupo producto | Precio €/u. |
|---|------------|------------|----------------|-----------------|
| UTBS-2 P F7 X4 0,46 KW ECOWATT | 5160272400 | 5160265500 | E09 | 4.093,14 |
| UTBS-3 P F7 X4 0,9 KW ECOWATT | 5160272500 | 5160265600 | E09 | 5.795,39 |
| UTBS-5 P F7 X4 1,7 KW ECOWATT | 5160272600 | 5160265700 | E09 | 7.898,63 |
| UTBS-8 P F7 X4 2 KW ECOWATT | 5160272700 | 5160265800 | E09 | 9.317,35 |

Configuraciones con baterías de expansión directa (X6)

| Versión corta (Filtro único M5) | L | R | Grupo producto | Precio €/u. |
|---------------------------------|------------|------------|----------------|-----------------|
| UTBS-2 M5 X6 0,46 KW ECOWATT | 5160242700 | 5160236200 | E09 | 3.932,20 |
| UTBS-3 M5 X6 0,9 KW ECOWATT | 5160242800 | 5160236300 | E09 | 5.578,64 |
| UTBS-5 M5 X6 1,7 KW ECOWATT | 5160242900 | 5160236400 | E09 | 7.757,25 |
| UTBS-8 M5 X6 2 KW ECOWATT | 5160243000 | 5160236500 | E09 | 9.506,38 |

| Versión larga (Doble filtro F7+Accesorio) | L | R | Grupo producto | Precio €/u. |
|---|------------|------------|----------------|-----------------|
| UTBS-2 P F7 X6 0,46 KW ECOWATT | 5160272800 | 5160265900 | E09 | 4.244,64 |
| UTBS-3 P F7 X6 0,9 KW ECOWATT | 5160272900 | 5160266000 | E09 | 5.988,67 |
| UTBS-5 P F7 X6 1,7 KW ECOWATT | 5160273000 | 5160266100 | E09 | 8.206,93 |
| UTBS-8 P F7 X6 2 KW ECOWATT | 5160273100 | 5160266200 | E09 | 9.969,76 |

Configuraciones con baterías de agua caliente y agua fría C4+H2

| Versión corta (Filtro único M5) | L | R | Grupo producto | Precio €/u. |
|---------------------------------|------------|------------|----------------|-----------------|
| UTBS-2 M5 C4 H2 0,46 KW ECOWATT | 5160243100 | 5160236600 | E09 | 4.250,73 |
| UTBS-3 M5 C4 H2 0,9 KW ECOWATT | 5160243200 | 5160236700 | E09 | 6.038,52 |
| UTBS-5 M5 C4 H2 1,7 KW ECOWATT | 5160243300 | 5160236800 | E09 | 8.194,89 |
| UTBS-8 M5 C4 H2 2 KW ECOWATT | 5160243400 | 5160236900 | E09 | 9.827,73 |

| Versión larga (Doble filtro F7+Accesorio) | L | R | Grupo producto | Precio €/u. |
|---|------------|------------|----------------|------------------|
| UTBS-2 P F7 C4 H2 0,46 KW ECOWATT | 5160273200 | 5160266300 | E09 | 4.563,17 |
| UTBS-3 P F7 C4 H2 0,9 KW ECOWATT | 5160273300 | 5160266400 | E09 | 6.448,56 |
| UTBS-5 P F7 C4 H2 1,7 KW ECOWATT | 5160273400 | 5160266500 | E09 | 8.644,55 |
| UTBS-8 P F7 C4 H2 2 KW ECOWATT | 5160273500 | 5160266600 | E09 | 10.291,14 |

Configuraciones con baterías de agua caliente y agua fría C6+H2

| Versión corta (Filtro único M5) | L | R | Grupo producto | Precio €/u. |
|---------------------------------|------------|------------|----------------|------------------|
| UTBS-2 M5 C6 H2 0,46 KW ECOWATT | 5160243500 | 5160237000 | E09 | 4.310,04 |
| UTBS-3 M5 C6 H2 0,9 KW ECOWATT | 5160243600 | 5160237100 | E09 | 6.163,58 |
| UTBS-5 M5 C6 H2 1,7 KW ECOWATT | 5160243700 | 5160237200 | E09 | 8.571,14 |
| UTBS-8 M5 C6 H2 2 KW ECOWATT | 5160243800 | 5160237300 | E09 | 10.299,05 |

| Versión larga (Doble filtro F7+Accesorio) | L | R | Grupo producto | Precio €/u. |
|---|------------|------------|----------------|------------------|
| UTBS-2 P F7 C6 H2 0,46 KW ECOWATT | 5160273600 | 5160266700 | E09 | 4.622,51 |
| UTBS-3 P F7 C6 H2 0,9 KW ECOWATT | 5160273700 | 5160266800 | E09 | 6.573,60 |
| UTBS-5 P F7 C6 H2 1,7 KW ECOWATT | 5160273800 | 5160266900 | E09 | 9.020,78 |
| UTBS-8 P F7 C6 H2 2 KW ECOWATT | 5160273900 | 5160267000 | E09 | 10.762,45 |

Configuraciones con batería de agua fría y eléctrica C4+E

| Versión corta (Filtro único M5) | L | R | Grupo producto | Precio €/u. |
|-----------------------------------|------------|------------|----------------|------------------|
| UTBS-2 M5 C4 E4,5 0,46 KW ECOWATT | 5160243900 | 5160237400 | E09 | 4.386,38 |
| UTBS-2 M5 C4 E15 0,46 KW ECOWATT | 5160244000 | 5160237500 | E09 | 4.805,29 |
| UTBS-3 M5 C4 E6 0,9 KW ECOWATT | 5160244100 | 5160237600 | E09 | 6.176,44 |
| UTBS-3 M5 C4 E15 0,9 KW ECOWATT | 5160244200 | 5160237700 | E09 | 6.647,64 |
| UTBS-3 M5 C4 E24 0,9 KW ECOWATT | 5160244300 | 5160237800 | E09 | 7.334,93 |
| UTBS-5 M5 C4 E9 1,7 KW ECOWATT | 5160244400 | 5160237900 | E09 | 8.445,14 |
| UTBS-5 M5 C4 E15 1,7 KW ECOWATT | 5160244500 | 5160238000 | E09 | 8.537,21 |
| UTBS-5 M5 C4 E36 1,7 KW ECOWATT | 5160244600 | 5160238100 | E09 | 9.545,09 |
| UTBS-8 M5 C4 E15 2 KW ECOWATT | 5160244700 | 5160238200 | E09 | 9.993,99 |
| UTBS-8 M5 C4 E24 2 KW ECOWATT | 5160244800 | 5160238300 | E09 | 10.588,91 |
| UTBS-8 M5 C4 E45 2 KW ECOWATT | 5160244900 | 5160238400 | E09 | 11.196,66 |

| Versión larga (Doble filtro F7+Accesorio) | L | R | Grupo producto | Precio €/u. |
|---|------------|------------|----------------|------------------|
| UTBS-2 P F7 C4 E4,5 0,46 KW ECOWATT | 5160274000 | 5160267100 | E09 | 4.698,82 |
| UTBS-2 P F7 C4 E15 0,46 KW ECOWATT | 5160274100 | 5160267200 | E09 | 5.117,73 |
| UTBS-3 P F7 C4 E6 0,9 KW ECOWATT | 5160274200 | 5160267300 | E09 | 6.586,48 |
| UTBS-3 P F7 C4 E15 0,9 KW ECOWATT | 5160274300 | 5160267400 | E09 | 7.057,66 |
| UTBS-3 P F7 C4 E24 0,9 KW ECOWATT | 5160274400 | 5160267500 | E09 | 7.744,95 |
| UTBS-5 P F7 C4 E9 1,7 KW ECOWATT | 5160274500 | 5160267600 | E09 | 8.894,80 |
| UTBS-5 P F7 C4 E15 1,7 KW ECOWATT | 5160274600 | 5160267700 | E09 | 8.986,87 |
| UTBS-5 P F7 C4 E36 1,7 KW ECOWATT | 5160274700 | 5160267800 | E09 | 9.994,76 |
| UTBS-8 P F7 C4 E15 2 KW ECOWATT | 5160274800 | 5160267900 | E09 | 10.457,41 |
| UTBS-8 P F7 C4 E24 2 KW ECOWATT | 5160274900 | 5160268000 | E09 | 11.052,35 |
| UTBS-8 P F7 C4 E45 2 KW ECOWATT | 5160275000 | 5160268100 | E09 | 11.660,10 |

Configuraciones con batería de agua fría y eléctrica C6+E

| Versión corta (Filtro único M5) | L | R | Grupo producto | Precio €/u. |
|-----------------------------------|------------|------------|----------------|------------------|
| UTBS-2 M5 C6 E4,5 0,46 KW ECOWATT | 5160245000 | 5160238500 | E09 | 4.445,72 |
| UTBS-2 M5 C6 E15 0,46 KW ECOWATT | 5160245100 | 5160238600 | E09 | 5.342,87 |
| UTBS-3 M5 C6 E6 0,9 KW ECOWATT | 5160245200 | 5160238700 | E09 | 6.301,49 |
| UTBS-3 M5 C6 E15 0,9 KW ECOWATT | 5160245300 | 5160238800 | E09 | 6.772,67 |
| UTBS-3 M5 C6 E24 0,9 KW ECOWATT | 5160245400 | 5160238900 | E09 | 7.459,94 |
| UTBS-5 M5 C6 E9 1,7 KW ECOWATT | 5160245500 | 5160239000 | E09 | 8.821,40 |
| UTBS-5 M5 C6 E15 1,7 KW ECOWATT | 5160245600 | 5160239100 | E09 | 8.913,48 |
| UTBS-5 M5 C6 E36 1,7 KW ECOWATT | 5160245700 | 5160239200 | E09 | 9.921,38 |
| UTBS-8 M5 C6 E15 2 KW ECOWATT | 5160245800 | 5160239300 | E09 | 10.465,32 |
| UTBS-8 M5 C6 E24 2 KW ECOWATT | 5160245900 | 5160239400 | E09 | 11.060,26 |
| UTBS-8 M5 C6 E45 2 KW ECOWATT | 5160246000 | 5160239500 | E09 | 11.668,00 |

| Versión larga (Doble filtro F7+Accesorio) | L | R | Grupo producto | Precio €/u. |
|---|------------|------------|----------------|------------------|
| UTBS-2 P F7 C6 E4,5 0,46 KW ECOWATT | 5160275100 | 5160268200 | E09 | 4.758,17 |
| UTBS-2 P F7 C6 E15 0,46 KW ECOWATT | 5160275200 | 5160268300 | E09 | 5.655,31 |
| UTBS-3 P F7 C6 E6 0,9 KW ECOWATT | 5160275300 | 5160268400 | E09 | 6.711,51 |
| UTBS-3 P F7 C6 E15 0,9 KW ECOWATT | 5160275400 | 5160268500 | E09 | 7.182,68 |
| UTBS-3 P F7 C6 E24 0,9 KW ECOWATT | 5160275500 | 5160268600 | E09 | 7.869,97 |
| UTBS-5 P F7 C6 E9 1,7 KW ECOWATT | 5160275600 | 5160268700 | E09 | 9.271,06 |
| UTBS-5 P F7 C6 E15 1,7 KW ECOWATT | 5160275700 | 5160268800 | E09 | 9.363,15 |
| UTBS-5 P F7 C6 E36 1,7 KW ECOWATT | 5160275800 | 5160268900 | E09 | 10.371,02 |
| UTBS-8 P F7 C6 E15 2 KW ECOWATT | 5160275900 | 5160269000 | E09 | 10.928,75 |
| UTBS-8 P F7 C6 E24 2 KW ECOWATT | 5160276000 | 5160269100 | E09 | 11.523,65 |
| UTBS-8 P F7 C6 E45 2 KW ECOWATT | 5160276100 | 5160269200 | E09 | 12.131,40 |

Serie UTBS PRO-REG



Programa de selección de producto
S&P dispone de un programa de selección de unidades de tratamiento.

Existen 4 tamaños distintos, para mover caudales desde 500 hasta 8.000 m³/h:
 - UTBS-2: Caudales de 500 a 2.150 m³/h y 360 mm de altura.
 - UTBS-3: Caudales de 1.200 a 4.400 m³/h y 410 mm de anchura.
 - UTBS-5: caudales de 2.400 a 6.000 m³/h y 410 mm de anchura.
 - UTBS-8: Caudales de 4.000 a 8.000 m³/h y 500 mm de anchura.

Módulo principal compuesto por 3 secciones; filtración, baterías y ventilador.

Sección filtración con dos alternativas:
 - Versión Larga P F7 con capacidad para el montaje de dos filtros :F7 de muy baja pérdida de carga incorporado y posibilidad de montaje de un segundo filtro (suministrado como accesorio).
 - Versión corta M5 con capacidad para el montaje de un único filtro M5.

Sección baterías con opción de equipar baterías de agua, expansión directa o resistencias eléctricas de apoyo.

Sección ventilador, permite orientar la salida de aire hacia arriba o frontalmente, mediante intercambio de los paneles frontales y superior.

Disponible en ejecución sobre bancada perimetral y tejadillo (accesorios) posibilitando el montaje en el exterior. Temperatura ambiente mínima -10°C.

Componentes / Módulos

- Silenciadores
- Caja de mezclas

Otras configuraciones disponibles mediante programa de selección de unidades de tratamiento.



CONTROL
Las unidades UTBS PRO-REG se suministran con control de funcionamiento integral.

Incluye control manual o automático del ventilador en modos VAV, CAV o COP:

VAV- Volumen de aire variable

La velocidad de los ventiladores puede ser ajustada mediante una señal analógica 0-10V.

CAV - Caudal constante

La velocidad de los ventiladores es regulada para garantizar un caudal de aire constante.

COP - Presión constante

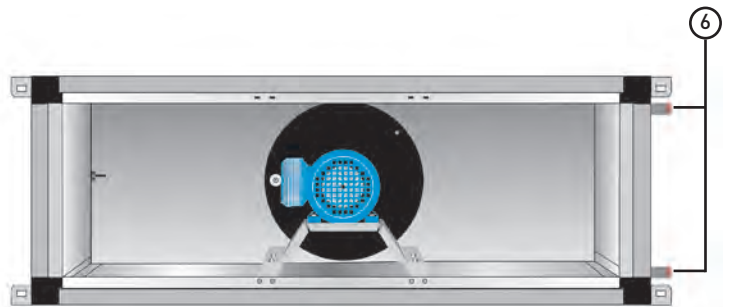
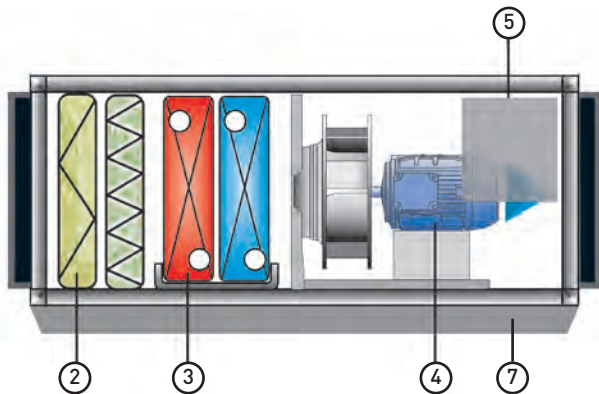
La velocidad de los ventiladores es regulada para mantener una presión constante en la red de conductos.



Gestión de las baterías

Las versiones con baterías permiten la gestión de la demanda de frío/calor gracias a las sondas de temperatura suministradas con el equipo.

REFERENCIA



| | | | | | | | | | | | | | | |
|---|---|---|---|---|---|---|---|---|---|-----|----|---------|---|---|
| U | T | B | S | - | 5 | P | F | 7 | E | 1,7 | kW | PRO-REG | R | B |
| 1 | | | | | | 2 | | | 3 | | | 4 | | |
| | | | | | | | | | | | | 5 | | |
| | | | | | | | | | | | | | 6 | |
| | | | | | | | | | | | | | | 7 |

1. TAMAÑO

- UTBS-2
- UTBS-3
- UTBS-5
- UTBS-8

2. ETAPA DE FILTRACIÓN

P F7: Filtro F7 con capacidad para el montaje de un filtro adicional (accesorio). Sistema de apriete de filtros de elevada estanqueidad, mediante brazos articulados.

M5: Filtro M5 montado mediante sistema de guías sin dispositivos de apriete del filtro. No permite montaje de filtros adicionales. Sin prefiltro. Espacio disponible para montaje como accesorio.

3. ETAPA BATERIAS

- E: Batería Eléctrica
- H2: Batería agua caliente 2 filas
- H4: Batería agua caliente 4 filas
- C4: Batería agua fría 4 filas
- C6: Batería agua fría 6 filas
- X4: Batería expansión directa 4 filas
- X6: Batería expansión directa 6 filas
- C4 H2: Batería agua fría 4 filas + Batería agua caliente 2 filas
- C6 H2: Batería agua fría 6 filas + Batería agua caliente 2 filas
- C4 E: Batería agua fría 4 filas + Batería eléctrica
- C6 E: Batería agua fría 6 filas + Batería eléctrica

4. POTENCIA MOTORES

- 0,46 kW para UTBS-2
- 0,9 kW para UTBS-3
- 1,7 kW para UTBS-5
- 2,0 kW para UTBS-8

5. TIPO DE CONTROL

PRO-REG: Control plug&play avanzado

6. LADO DE LAS CONEXIONES (Según el sentido del aire)

- R: Conexiones a la derecha
- L: Conexiones a la izquierda

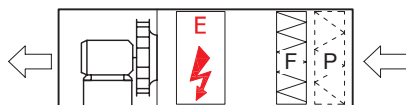
7. BANCADA

- B: Con bancada (Montada en fábrica)
- Ø: Sin bancada

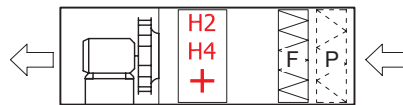
CONFIGURACIONES

VERSIONES P F7 CON POSIBILIDAD DE MONTAJE DE DOS FILTROS (CHASIS LARGO)

Ventilación + calefacción

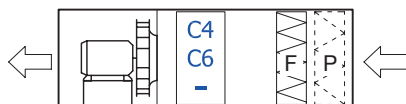


P: Prefiltro G4/M5 (accesorio)
F: Filtro F7
E: Batería eléctrica [E4.5 a E45]



P: Prefiltro G4/M5 (accesorio)
F: Filtro F7
H2: Batería agua caliente 2 filar
H4: Batería agua caliente 4 filar

Ventilación + refrigeración

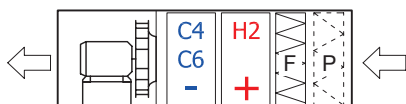


P: Prefiltro G4/M5 (accesorio)
F: Filtro F7
C4: Batería agua fría 4 filar
C6: Batería agua fría 6 filar

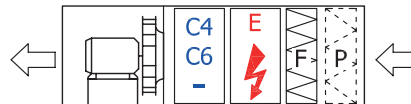


P: Prefiltro G4/M5 (accesorio)
F: Filtro F7
X4: Batería expansión directa DX 4 filar
X6: Batería expansión directa DX 6 filar

Ventilación + calefacción + refrigeración



P: Prefiltro G4/M5 (accesorio)
F: Filtro F7
H2: Batería agua caliente 2 filar
C4: Batería agua fría 4 filar
C6: Batería agua fría 6 filar

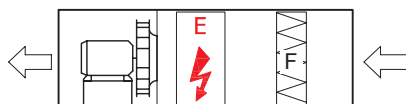


P: Prefiltro G4/M5 (accesorio)
F: Filtro F7
E: Batería eléctrica [E4.5 a E45]
C4: Batería agua fría 4 filar
C6: Batería agua fría 6 filar

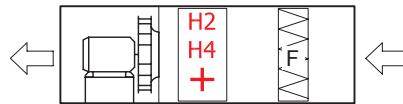
Todas las versiones están disponibles con mantenimiento por el lado derecho o izquierdo (siguiendo en sentido del aire).

VERSIONES M5 CON UN ÚNICO FILTRO (CHASIS CORTO)

Ventilación + calefacción

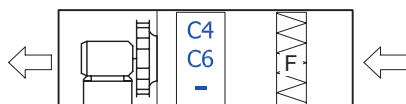


F: Filtro M5
E: Batería eléctrica [E4.5 a E45]



F: Filtro M5
H2: Batería agua caliente 2 filar
H4: Batería agua caliente 4 filar

Ventilación + refrigeración

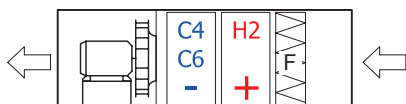


F: Filtro M5
C4: Batería agua fría 4 filar
C6: Batería agua fría 6 filar



F: Filtro M5
X4: Batería expansión directa DX 4 filar
X6: Batería expansión directa DX 6 filar

Ventilación + calefacción + refrigeración



F: Filtro M5
H2: Batería agua caliente 2 filar
C4: Batería agua fría 4 filar
C6: Batería agua fría 6 filar



F: Filtro M5
E: Batería eléctrica [E4.5 a E45]
C4: Batería agua fría 4 filar
C6: Batería agua fría 6 filar

Todas las versiones están disponibles con mantenimiento por el lado derecho o izquierdo (siguiendo en sentido del aire).

CARACTERÍSTICAS TÉCNICAS

SECCIÓN VENTILADOR

El modelo UBTS-2 incorpora un ventilador, mientras que los modelos UTBS-3, 5 y 8 incorporan dos ventiladores. Cada modelo tiene asociado un determinado tamaño de ventilador y motor. Mediante el potenciómetro existente en el armario de control es posible adecuar el punto de trabajo a las necesidades de cada instalación, obteniendo una elevada eficiencia en el punto de trabajo requerido.

| Modelo | Caudal máximo (m³/h) | | | Ventiladores | | | | |
|--------|----------------------|-----------------------|-------------------|--------------|-------------------------|----------------------------------|---------------------|------------------------|
| | Batería agua fría/DX | Batería agua caliente | Batería eléctrica | Cantidad | Tensión de alimentación | Nivel de presión sonora (r.p.m.) | Potencia motor (kW) | Intensidad máxima* (A) |
| | | | | | | | | |
| UTBS-2 | 1300 | 2150 | 2150 | 1 | 230/I/50 | 2850 | 0,45 | 2 |
| UTBS-3 | 2600 | 4000 | 4000 | 2 | 230/I/50 | 2850 | 2 x 0,45 | 3,9 |
| UTBS-5 | 3750 | 5800 | 5800 | 2 | 230/I/50 | 2830 | 2 x 0,85 | 7,2 |
| UTBS-8 | 6100 | 8000 | 8000 | 2 | 400/III/50 | 2600 | 2 x 1 | 3,6 |

* En unidades con dos ventiladores, el valor corresponde a la suma de ambos ventiladores.

SECCIÓN BATERÍAS

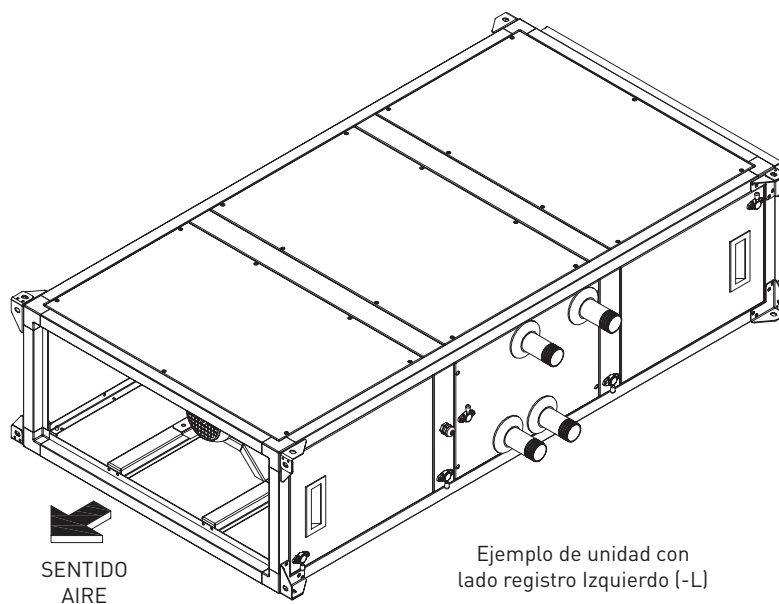
Baterías de agua

La sección puede estar formada por una batería de frío o calor, o bien por dos baterías, una de frío y otra de calor. Los equipos se pueden suministrar con baterías de calor de 2 ó 4 filas y baterías de frío de 4 ó 6 filas. En caso de instalar una batería de frío, la sección dispone de una bandeja para la recogida de condensados totalmente construida en acero inoxidable AISI 304 y un separador de gotas para evitar el arrastre de las mismas. Tanto la salida de las conexiones como el drenaje de los condensados se puede realizar por la derecha o por la izquierda del equipo.

| Modelo | Caudal aire (m³/h) | Potencia térmica baterías (kW) | | | | | | Conexiones entrada/salida |
|--------|--------------------|--------------------------------|-----------|-----------|-----------|-------------------|----------|---------------------------|
| | | Batería agua caliente | | | | Batería agua fría | | |
| | | H2 | | H4 | | C4 | C6 | |
| | | 80°C/60°C | 50°C/45°C | 80°C/60°C | 50°C/45°C | 7°C/12°C | 7°C/12°C | |
| UTBS-2 | 900 | 11,9 | 8,3 | 18,2 | 22,7 | 8,1 | 9,6 | 1-1/4" GM |
| | 1.200 | 14,4 | 10,0 | 22,7 | 15,5 | 10,0 | 11,9 | |
| UTBS-3 | 1.700 | 23,5 | 16,0 | 34,7 | 23,5 | 15,5 | 20,0 | 1-1/4" GM |
| | 2.500 | 30,5 | 20,9 | 46,8 | 31,9 | 20,5 | 23,3 | |
| UTBS-5 | 2.500 | 33,9 | 23,3 | 51,2 | 34,7 | 23,2 | 29,2 | 1-1/4" GM |
| | 3.500 | 42,7 | 29,4 | 66,6 | 45,2 | 29,6 | 38,4 | |
| UTBS-8 | 4.000 | 55,0 | 37,7 | 81,4 | 55,4 | 36,0 | 46,8 | 1-1/2" GM |
| | 6.000 | 72,5 | 49,8 | 111,5 | 76,1 | 48,2 | 64,8 | |

*Temperatura entrada aire -5°C, Hum.Rel 80%.

**Temperatura entrada aire 32°C, Hum.Rel 50%.



Baterías de eléctricas

El equipo se puede suministrar con baterías eléctricas formadas por resistencias blindadas con un marco de chapa galvanizada. Las baterías disponen de protecciones con rearme manual y rearme automático incorporados. La batería incorpora una pantalla antirradiación para proteger los filtros.

| Modelo | Potencias eléctricas disponibles / Etapas | | | | | |
|--------|---|---------------|-----|---------------|-----|---------------|
| UTBS-2 | E4,5 | 4,5 kW/ 1et. | E15 | 15,0 kW/ 2et. | | |
| UTBS-3 | E6 | 6,0 kW/ 1et. | E15 | 15,0 kW/ 2et. | E24 | 24,0 kW/ 2et. |
| UTBS-5 | E9 | 9,0 kW/ 2et. | E15 | 15,0 kW/ 2et. | E36 | 36,0 kW/ 3et. |
| UTBS-8 | E15 | 15,0 kW/ 2et. | E24 | 24,0 kW/ 2et. | E45 | 45,0 kW/ 3et. |

Baterías expansión directa (DX)

El equipo se puede suministrar con baterías de expansión directa para gas R-410A. Compatibles con los principales Kit de control del mercado

Baterías 4 filas

Para aplicaciones con 100% aire recirculado

| Denom. | Caudal aire (m³/h) | Volumen (dm³) | Nº Etapas | Ø Distribuidor líquido | Ø Colector Gas | REFRIGERACIÓN | | | | | CONDENSACIÓN | | | | |
|--------|--------------------|---------------|-----------|------------------------|----------------|---------------------|------------------------|--------------------------|---------------------|----------------|-----------------------|------------------------|--------------------------|---------------------|----------------|
| | | | | | | Potencia frío* (kW) | Temp. Salida aire (°C) | Hum.Rel. Salida aire (%) | Caudal R410A (kg/h) | ΔP R410A (kPa) | Potencia Calor** (kW) | Temp. Salida aire (°C) | Hum.Rel. Salida aire (%) | Caudal R410A (kg/h) | ΔP R410A (kPa) |
| UTBS-2 | 1.250 | 1,2 | 1 | 3/8" | 5/8" | 4,6 | 14,2 | 87 | 84,6 | 14,9 | 4,9 | 32,7 | 25 | 87,9 | 9,6 |
| UTBS-3 | 2.500 | 2,21 | 1 | 1/2" | 5/8" | 8,8 | 14,4 | 87 | 163,3 | 13,0 | 8,0 | 33,6 | 28 | 143,4 | 6,1 |
| UTBS-5 | 3.500 | 2,41 | 1 | 1/2" | 5/8" | 10,9 | 15,2 | 85 | 200,0 | 10,9 | 10,0 | 32,7 | 30 | 180,2 | 5,1 |
| UTBS-8 | 6.000 | 4,4 | 1 | 1/2" | 5/8" | 19,9 | 14,9 | 86 | 368,3 | 22,1 | 17,2 | 32,7 | 30 | 310,1 | 8,8 |

*Entrada aire: 24°C / 50%H.R.

**Entrada aire: 21°C / 50%H.R.

Baterías 6 filas

Para aplicaciones con 50% Aire exterior / 50% Aire recirculado

| Denom. | Caudal aire (m³/h) | Volumen (dm³) | Nº Etapas | Ø Distribuidor líquido | Ø Colector Gas | REFRIGERACIÓN | | | | | CONDENSACIÓN | | | | |
|--------|--------------------|---------------|-----------|------------------------|----------------|---------------------|------------------------|--------------------------|---------------------|----------------|-----------------------|------------------------|--------------------------|---------------------|----------------|
| | | | | | | Potencia frío* (kW) | Temp. Salida aire (°C) | Hum.Rel. Salida aire (%) | Caudal R410A (kg/h) | ΔP R410A (kPa) | Potencia Calor** (kW) | Temp. Salida aire (°C) | Hum.Rel. Salida aire (%) | Caudal R410A (kg/h) | ΔP R410A (kPa) |
| UTBS-2 | 1.250 | 2 | 1 | 1/2" | 5/8" | 10,0 | 14,5 | 94 | 185,3 | 8,6 | 10,5 | 34,4 | 17 | 190,5 | 5,1 |
| UTBS-3 | 2.500 | 3,31 | 1 | 1/2" | 5/8" | 19,4 | 14,9 | 94 | 358,6 | 25,3 | 19,9 | 30,8 | 18 | 359,0 | 13,7 |
| UTBS-5 | 3.500 | 4,3 | 1 | 1/2" | 3/4" | 26,6 | 15,2 | 94 | 490,5 | 18,6 | 27,6 | 30,6 | 18 | 498,0 | 10,3 |
| UTBS-8 | 6.000 | 8,4 | 2 | 2 x 1/2" | 2x 3/4" | 47,8 | 14,6 | 94 | 882,0 | 25,3 | 49,8 | 31,8 | 17 | 897,0 | 12,3 |

*Entrada aire: 29°C / 55%H.R.

**Entrada aire: 8°C / 75%H.R.

SECCIÓN FILTRADO

Sección filtración con dos alternativas:

- Versión Larga **P F7** con capacidad para el montaje de dos filtros: F7 de muy baja pérdida de carga incorporado y posibilidad de montaje de un segundo filtro [suministrado como accesorio]. El sistema de apriete de filtros mediante brazos articulados garantiza una excelente estanqueidad del conjunto de filtros. Filtros disponibles G4, M5 y F9.

- Versión corta **M5** con capacidad para el montaje de un único filtro M5 montado mediante sistema de guías sin dispositivos de apriete del filtro.

Filtros disponibles F6, F8 ó F9 con eficacias desde el 60%

Los filtros han sido fabricados de acuerdo con la norma UNE 779:2013

Configuraciones con baterías eléctricas

| Versión corta (Filtro único M5) | L | R | Grupo producto | Precio €/u. |
|---------------------------------|------------|------------|----------------|------------------|
| UTBS-2 M5 E4,5 0,46 KW PRO-REG | 5160252600 | 5160246100 | E09 | 7.669,25 |
| UTBS-2 M5 E15 0,46 KW PRO-REG | 5160252700 | 5160246200 | E09 | 7.804,27 |
| UTBS-3 M5 E6 0,9 KW PRO-REG | 5160252800 | 5160246300 | E09 | 8.722,98 |
| UTBS-3 M5 E15 0,9 KW PRO-REG | 5160252900 | 5160246400 | E09 | 8.812,97 |
| UTBS-3 M5 E24 0,9 KW PRO-REG | 5160253000 | 5160246500 | E09 | 9.217,91 |
| UTBS-5 M5 E9 1,7 KW PRO-REG | 5160253100 | 5160246600 | E09 | 11.661,80 |
| UTBS-5 M5 E15 1,7 KW PRO-REG | 5160253200 | 5160246700 | E09 | 11.760,77 |
| UTBS-5 M5 E36 1,7 KW PRO-REG | 5160253300 | 5160246800 | E09 | 12.471,72 |
| UTBS-8 M5 E15 2 KW PRO-REG | 5160253400 | 5160246900 | E09 | 13.380,72 |
| UTBS-8 M5 E24 2 KW PRO-REG | 5160253500 | 5160247000 | E09 | 13.772,16 |
| UTBS-8 M5 E45 2 KW PRO-REG | 5160253600 | 5160247100 | E09 | 14.695,93 |

| Versión larga (Doble filtro F7+Accesorio) | L | R | Grupo producto | Precio €/u. |
|---|------------|------------|----------------|------------------|
| UTBS-2 P F7 E4,5 0,46 KW PRO-REG | 5160282700 | 5160276200 | E09 | 7.956,93 |
| UTBS-2 P F7 E15 0,46 KW PRO-REG | 5160282800 | 5160276300 | E09 | 8.091,91 |
| UTBS-3 P F7 E6 0,9 KW PRO-REG | 5160282900 | 5160276400 | E09 | 9.080,92 |
| UTBS-3 P F7 E15 0,9 KW PRO-REG | 5160283000 | 5160276500 | E09 | 9.170,92 |
| UTBS-3 P F7 E24 0,9 KW PRO-REG | 5160283100 | 5160276600 | E09 | 9.575,87 |
| UTBS-5 P F7 E9 1,7 KW PRO-REG | 5160283200 | 5160276700 | E09 | 12.090,02 |
| UTBS-5 P F7 E15 1,7 KW PRO-REG | 5160283300 | 5160276800 | E09 | 12.189,06 |
| UTBS-5 P F7 E36 1,7 KW PRO-REG | 5160283400 | 5160276900 | E09 | 12.899,98 |
| UTBS-8 P F7 E15 2 KW PRO-REG | 5160283500 | 5160277000 | E09 | 13.844,11 |
| UTBS-8 P F7 E24 2 KW PRO-REG | 5160283600 | 5160277100 | E09 | 14.235,59 |
| UTBS-8 P F7 E45 2 KW PRO-REG | 5160283700 | 5160277200 | E09 | 15.159,34 |

Configuraciones con baterías de agua caliente de dos filas (H2)

| Versión corta (Filtro único M5) | L | R | Grupo producto | Precio €/u. |
|---------------------------------|------------|------------|----------------|------------------|
| UTBS-2 M5 H2 0,46 KW PRO-REG | 5160253700 | 5160247200 | E09 | 6.773,31 |
| UTBS-3 M5 H2 0,9 KW PRO-REG | 5160253800 | 5160247300 | E09 | 7.848,77 |
| UTBS-5 M5 H2 1,7 KW PRO-REG | 5160253900 | 5160247400 | E09 | 10.265,65 |
| UTBS-8 M5 H2 2 KW PRO-REG | 5160254000 | 5160247500 | E09 | 11.628,63 |

| Versión larga (Doble filtro F7+Accesorio) | L | R | Grupo producto | Precio €/u. |
|---|------------|------------|----------------|------------------|
| UTBS-2 P F7 H2 0,46 KW PRO-REG | 5160283800 | 5160277300 | E09 | 7.060,96 |
| UTBS-3 P F7 H2 0,9 KW PRO-REG | 5160283900 | 5160277400 | E09 | 8.206,71 |
| UTBS-5 P F7 H2 1,7 KW PRO-REG | 5160284000 | 5160277500 | E09 | 10.693,92 |
| UTBS-8 P F7 H2 2 KW PRO-REG | 5160284100 | 5160277600 | E09 | 12.092,04 |

Configuraciones con baterías de agua caliente de cuatro filas (H4)

| Versión corta (Filtro único M5) | L | R | Grupo producto | Precio €/u. |
|---------------------------------|------------|------------|----------------|------------------|
| UTBS-2 M5 H4 0,46 KW PRO-REG | 5160254100 | 5160247600 | E09 | 6.873,93 |
| UTBS-3 M5 H4 0,9 KW PRO-REG | 5160254200 | 5160247700 | E09 | 8.057,37 |
| UTBS-5 M5 H4 1,7 KW PRO-REG | 5160254300 | 5160247800 | E09 | 10.474,22 |
| UTBS-8 M5 H4 2 KW PRO-REG | 5160254400 | 5160247900 | E09 | 12.072,09 |

| Versión larga (Doble filtro F7+Accesorio) | L | R | Grupo producto | Precio €/u. |
|---|------------|------------|----------------|------------------|
| UTBS-2 P F7 H4 0,46 KW PRO-REG | 5160284200 | 5160277700 | E09 | 7.161,58 |
| UTBS-3 P F7 H4 0,9 KW PRO-REG | 5160284300 | 5160277800 | E09 | 8.415,30 |
| UTBS-5 P F7 H4 1,7 KW PRO-REG | 5160284400 | 5160277900 | E09 | 10.902,47 |
| UTBS-8 P F7 H4 2 KW PRO-REG | 5160284500 | 5160278000 | E09 | 12.535,53 |

Configuraciones con baterías de agua fría reversible 4 filas (C4)

| Versión corta (Filtro único M5) | L | R | Grupo producto | Precio €/u. |
|---------------------------------|------------|------------|----------------|------------------|
| UTBS-2 M5 C4 0,46 KW PRO-REG | 5160254500 | 5160248000 | E09 | 7.151,77 |
| UTBS-3 M5 C4 0,9 KW PRO-REG | 5160254600 | 5160248100 | E09 | 8.410,85 |
| UTBS-5 M5 C4 1,7 KW PRO-REG | 5160254700 | 5160248200 | E09 | 10.863,30 |
| UTBS-8 M5 C4 2 KW PRO-REG | 5160254800 | 5160248300 | E09 | 12.700,43 |

| Versión larga (Doble filtro F7+Accesorio) | L | R | Grupo producto | Precio €/u. |
|---|------------|------------|----------------|------------------|
| UTBS-2 P F7 C4 0,46 KW PRO-REG | 5160284600 | 5160278100 | E09 | 7.439,43 |
| UTBS-3 P F7 C4 0,9 KW PRO-REG | 5160284700 | 5160278200 | E09 | 8.768,80 |
| UTBS-5 P F7 C4 1,7 KW PRO-REG | 5160284800 | 5160278300 | E09 | 11.291,56 |
| UTBS-8 P F7 C4 2 KW PRO-REG | 5160284900 | 5160278400 | E09 | 13.163,84 |

Configuraciones con baterías de agua fría reversible 6 filas (C6)

| Versión corta (Filtro único M5) | L | R | Grupo producto | Precio €/u. |
|---------------------------------|------------|------------|----------------|------------------|
| UTBS-2 M5 C6 0,46 KW PRO-REG | 5160254900 | 5160248400 | E09 | 7.206,40 |
| UTBS-3 M5 C6 0,9 KW PRO-REG | 5160255000 | 5160248500 | E09 | 8.519,99 |
| UTBS-5 M5 C6 1,7 KW PRO-REG | 5160255100 | 5160248600 | E09 | 11.221,63 |
| UTBS-8 M5 C6 2 KW PRO-REG | 5160255200 | 5160248700 | E09 | 13.171,75 |

| Versión larga (Doble filtro F7+Accesorio) | L | R | Grupo producto | Precio €/u. |
|---|------------|------------|----------------|------------------|
| UTBS-2 P F7 C6 0,46 KW PRO-REG | 5160285000 | 5160278500 | E09 | 7.494,05 |
| UTBS-3 P F7 C6 0,9 KW PRO-REG | 5160285100 | 5160278600 | E09 | 8.877,95 |
| UTBS-5 P F7 C6 1,7 KW PRO-REG | 5160285200 | 5160278700 | E09 | 11.649,91 |
| UTBS-8 P F7 C6 2 KW PRO-REG | 5160285300 | 5160278800 | E09 | 13.635,15 |

Configuraciones con baterías de expansión directa (X4)

| Versión corta (Filtro único M5) | L | R | Grupo producto | Precio €/u. |
|---------------------------------|------------|------------|----------------|------------------|
| UTBS-2 M5 X4 0,46 KW PRO-REG | 5160255300 | 5160248800 | E09 | 7.070,49 |
| UTBS-3 M5 X4 0,9 KW PRO-REG | 5160255400 | 5160248900 | E09 | 8.305,64 |
| UTBS-5 M5 X4 1,7 KW PRO-REG | 5160255500 | 5160249000 | E09 | 10.746,74 |
| UTBS-8 M5 X4 2 KW PRO-REG | 5160255600 | 5160249100 | E09 | 12.453,13 |

| Versión larga (Doble filtro F7+Accesorio) | L | R | Grupo producto | Precio €/u. |
|---|------------|------------|----------------|------------------|
| UTBS-2 P F7 X4 0,46 KW PRO-REG | 5160285400 | 5160278900 | E09 | 7.358,18 |
| UTBS-3 P F7 X4 0,9 KW PRO-REG | 5160285500 | 5160279000 | E09 | 8.663,58 |
| UTBS-5 P F7 X4 1,7 KW PRO-REG | 5160285600 | 5160279100 | E09 | 11.174,97 |
| UTBS-8 P F7 X4 2 KW PRO-REG | 5160285700 | 5160279200 | E09 | 12.916,53 |

Configuraciones con baterías de expansión directa (X6)

| Versión corta (Filtro único M5) | L | R | Grupo producto | Precio €/u. |
|---------------------------------|------------|------------|----------------|------------------|
| UTBS-2 M5 X6 0,46 KW PRO-REG | 5160255700 | 5160249200 | E09 | 7.210,00 |
| UTBS-3 M5 X6 0,9 KW PRO-REG | 5160255800 | 5160249300 | E09 | 8.474,35 |
| UTBS-5 M5 X6 1,7 KW PRO-REG | 5160255900 | 5160249400 | E09 | 11.040,30 |
| UTBS-8 M5 X6 2 KW PRO-REG | 5160256000 | 5160249500 | E09 | 13.105,56 |

| Versión larga (Doble filtro F7+Accesorio) | L | R | Grupo producto | Precio €/u. |
|---|------------|------------|----------------|------------------|
| UTBS-2 P F7 X6 0,46 KW PRO-REG | 5160285800 | 5160279300 | E09 | 7.497,65 |
| UTBS-3 P F7 X6 0,9 KW PRO-REG | 5160285900 | 5160279400 | E09 | 8.832,33 |
| UTBS-5 P F7 X6 1,7 KW PRO-REG | 5160286000 | 5160279500 | E09 | 11.468,58 |
| UTBS-8 P F7 X6 2 KW PRO-REG | 5160286100 | 5160279600 | E09 | 13.568,99 |

Configuraciones con baterías de agua caliente y agua fría C4+H2

| Versión corta (Filtro único M5) | L | R | Grupo producto | Precio €/u. |
|---------------------------------|------------|------------|----------------|------------------|
| UTBS-2 M5 C4 H2 0,46 KW PRO-REG | 5160256100 | 5160249600 | E09 | 7.503,23 |
| UTBS-3 M5 C4 H2 0,9 KW PRO-REG | 5160256200 | 5160249700 | E09 | 8.875,86 |
| UTBS-5 M5 C4 H2 1,7 KW PRO-REG | 5160256300 | 5160249800 | E09 | 11.457,11 |
| UTBS-8 M5 C4 H2 2 KW PRO-REG | 5160256400 | 5160249900 | E09 | 13.426,92 |

| Versión larga (Doble filtro F7+Accesorio) | L | R | Grupo producto | Precio €/u. |
|---|------------|------------|----------------|------------------|
| UTBS-2 P F7 C4 H2 0,46 KW PRO-REG | 5160286200 | 5160279700 | E09 | 7.790,88 |
| UTBS-3 P F7 C4 H2 0,9 KW PRO-REG | 5160286300 | 5160279800 | E09 | 9.233,82 |
| UTBS-5 P F7 C4 H2 1,7 KW PRO-REG | 5160286400 | 5160279900 | E09 | 11.885,36 |
| UTBS-8 P F7 C4 H2 2 KW PRO-REG | 5160286500 | 5160280000 | E09 | 13.890,33 |

Configuraciones con baterías de agua caliente y agua fría C6+H2

| Versión corta (Filtro único M5) | L | R | Grupo producto | Precio €/u. |
|---------------------------------|------------|------------|----------------|------------------|
| UTBS-2 M5 C6 H2 0,46 KW PRO-REG | 5160256500 | 5160250000 | E09 | 7.557,85 |
| UTBS-3 M5 C6 H2 0,9 KW PRO-REG | 5160256600 | 5160250100 | E09 | 8.985,04 |
| UTBS-5 M5 C6 H2 1,7 KW PRO-REG | 5160256700 | 5160250200 | E09 | 11.815,45 |
| UTBS-8 M5 C6 H2 2 KW PRO-REG | 5160256800 | 5160250300 | E09 | 13.898,26 |

| Versión larga (Doble filtro F7+Accesorio) | L | R | Grupo producto | Precio €/u. |
|---|------------|------------|----------------|------------------|
| UTBS-2 P F7 C6 H2 0,46 KW PRO-REG | 5160286600 | 5160280100 | E09 | 7.845,52 |
| UTBS-3 P F7 C6 H2 0,9 KW PRO-REG | 5160286700 | 5160280200 | E09 | 9.342,98 |
| UTBS-5 P F7 C6 H2 1,7 KW PRO-REG | 5160286800 | 5160280300 | E09 | 12.243,71 |
| UTBS-8 P F7 C6 H2 2 KW PRO-REG | 5160286900 | 5160280400 | E09 | 14.361,65 |

Configuraciones con batería de agua fría y eléctrica C4+E

| Versión corta (Filtro único M5) | L | R | Grupo producto | Precio €/u. |
|-----------------------------------|------------|------------|----------------|------------------|
| UTBS-2 M5 C4 E4,5 0,46 KW PRO-REG | 5160256900 | 5160250400 | E09 | 8.468,34 |
| UTBS-2 M5 C4 E15 0,46 KW PRO-REG | 5160257000 | 5160250500 | E09 | 8.603,32 |
| UTBS-3 M5 C4 E6 0,9 KW PRO-REG | 5160257100 | 5160250600 | E09 | 9.772,32 |
| UTBS-3 M5 C4 E15 0,9 KW PRO-REG | 5160257200 | 5160250700 | E09 | 9.965,54 |
| UTBS-3 M5 C4 E24 0,9 KW PRO-REG | 5160257300 | 5160250800 | E09 | 10.386,27 |
| UTBS-5 M5 C4 E9 1,7 KW PRO-REG | 5160257400 | 5160250900 | E09 | 12.906,54 |
| UTBS-5 M5 C4 E15 1,7 KW PRO-REG | 5160257500 | 5160251000 | E09 | 13.005,55 |
| UTBS-5 M5 C4 E36 1,7 KW PRO-REG | 5160257600 | 5160251100 | E09 | 13.716,47 |
| UTBS-8 M5 C4 E15 2 KW PRO-REG | 5160257700 | 5160251200 | E09 | 15.004,61 |
| UTBS-8 M5 C4 E24 2 KW PRO-REG | 5160257800 | 5160251300 | E09 | 15.396,06 |
| UTBS-8 M5 C4 E45 2 KW PRO-REG | 5160257900 | 5160251400 | E09 | 16.319,81 |

| Versión larga (Doble filtro F7+Accesorio) | L | R | Grupo producto | Precio €/u. |
|---|------------|------------|----------------|------------------|
| UTBS-2 P F7 C4 E4,5 0,46 KW PRO-REG | 5160287000 | 5160280500 | E09 | 8.755,99 |
| UTBS-2 P F7 C4 E15 0,46 KW PRO-REG | 5160287100 | 5160280600 | E09 | 8.890,99 |
| UTBS-3 P F7 C4 E6 0,9 KW PRO-REG | 5160287200 | 5160280700 | E09 | 10.130,27 |
| UTBS-3 P F7 C4 E15 0,9 KW PRO-REG | 5160287300 | 5160280800 | E09 | 10.323,47 |
| UTBS-3 P F7 C4 E24 0,9 KW PRO-REG | 5160287400 | 5160280900 | E09 | 10.744,24 |
| UTBS-5 P F7 C4 E9 1,7 KW PRO-REG | 5160287500 | 5160281000 | E09 | 13.334,81 |
| UTBS-5 P F7 C4 E15 1,7 KW PRO-REG | 5160287600 | 5160281100 | E09 | 13.433,79 |
| UTBS-5 P F7 C4 E36 1,7 KW PRO-REG | 5160287700 | 5160281200 | E09 | 14.144,71 |
| UTBS-8 P F7 C4 E15 2 KW PRO-REG | 5160287800 | 5160281300 | E09 | 15.468,00 |
| UTBS-8 P F7 C4 E24 2 KW PRO-REG | 5160287900 | 5160281400 | E09 | 15.859,46 |
| UTBS-8 P F7 C4 E45 2 KW PRO-REG | 5160288000 | 5160281500 | E09 | 16.783,23 |

Configuraciones con batería de agua fría y eléctrica C6+E

| Versión corta (Filtro único M5) | L | R | Grupo producto | Precio €/u. |
|-----------------------------------|------------|------------|----------------|------------------|
| UTBS-2 M5 C6 E4,5 0,46 KW PRO-REG | 5160258000 | 5160251500 | E09 | 8.522,97 |
| UTBS-2 M5 C6 E15 0,46 KW PRO-REG | 5160258100 | 5160251600 | E09 | 9.098,22 |
| UTBS-3 M5 C6 E6 0,9 KW PRO-REG | 5160258200 | 5160251700 | E09 | 9.881,47 |
| UTBS-3 M5 C6 E15 0,9 KW PRO-REG | 5160258300 | 5160251800 | E09 | 10.074,69 |
| UTBS-3 M5 C6 E24 0,9 KW PRO-REG | 5160258400 | 5160251900 | E09 | 10.495,43 |
| UTBS-5 M5 C6 E9 1,7 KW PRO-REG | 5160258500 | 5160252000 | E09 | 13.264,90 |
| UTBS-5 M5 C6 E15 1,7 KW PRO-REG | 5160258600 | 5160252100 | E09 | 13.363,88 |
| UTBS-5 M5 C6 E36 1,7 KW PRO-REG | 5160258700 | 5160252200 | E09 | 14.074,81 |
| UTBS-8 M5 C6 E15 2 KW PRO-REG | 5160258800 | 5160252300 | E09 | 15.475,94 |
| UTBS-8 M5 C6 E24 2 KW PRO-REG | 5160258900 | 5160252400 | E09 | 15.867,39 |
| UTBS-8 M5 C6 E45 2 KW PRO-REG | 5160259000 | 5160252500 | E09 | 16.791,12 |

| Versión larga (Doble filtro F7+Accesorio) | L | R | Grupo producto | Precio €/u. |
|---|------------|------------|----------------|------------------|
| UTBS-2 P F7 C6 E4,5 0,46 KW PRO-REG | 5160288100 | 5160281600 | E09 | 8.810,61 |
| UTBS-2 P F7 C6 E15 0,46 KW PRO-REG | 5160288200 | 5160281700 | E09 | 9.385,89 |
| UTBS-3 P F7 C6 E6 0,9 KW PRO-REG | 5160288300 | 5160281800 | E09 | 10.239,43 |
| UTBS-3 P F7 C6 E15 0,9 KW PRO-REG | 5160288400 | 5160281900 | E09 | 10.432,64 |
| UTBS-3 P F7 C6 E24 0,9 KW PRO-REG | 5160288500 | 5160282000 | E09 | 10.853,41 |
| UTBS-5 P F7 C6 E9 1,7 KW PRO-REG | 5160288600 | 5160282100 | E09 | 13.693,15 |
| UTBS-5 P F7 C6 E15 1,7 KW PRO-REG | 5160288700 | 5160282200 | E09 | 13.792,14 |
| UTBS-5 P F7 C6 E36 1,7 KW PRO-REG | 5160288800 | 5160282300 | E09 | 14.503,07 |
| UTBS-8 P F7 C6 E15 2 KW PRO-REG | 5160288900 | 5160282400 | E09 | 15.939,34 |
| UTBS-8 P F7 C6 E24 2 KW PRO-REG | 5160289000 | 5160282500 | E09 | 16.330,80 |
| UTBS-8 P F7 C6 E45 2 KW PRO-REG | 5160289100 | 5160282600 | E09 | 17.254,56 |

MÓDULOS COMPLEMENTARIOS PARA LAS SERIES UTBS ECOWATT y UTBS PRO-REG

| Código | Modelos | Grupo producto | Precio €/u. |
|------------------|-------------|----------------|-----------------|
| Silenciadores | | | |
| 5160002600 | SIL-2 750 | E09 | 973,80 |
| 5160000100 | SIL-3 750 | E09 | 1.101,85 |
| 5160002700 | SIL-5 750 | E09 | 1.380,92 |
| 5160002800 | SIL-8 750 | E09 | 1.751,11 |
| Cajas filtrantes | | | |
| 5160022500 | FB-2 P F9 L | E09 | 987,54 |
| 5160102700 | FB-2 P F9 R | E09 | 987,54 |
| 5160022600 | FB-3 P F9 L | E09 | 1.185,57 |
| 5160259200 | FB-3 P F9 R | E09 | 1.185,57 |

| Código | Modelos | Grupo producto | Precio €/u. |
|---------------------------------|-------------------------|----------------|-----------------|
| Cajas filtrantes (continuación) | | | |
| 5160259300 | FB-5 P F9 L | E09 | 1.573,31 |
| 5160259400 | FB-5 P F9 R | E09 | 1.573,31 |
| 5160259500 | FB-8 P F9 L | E09 | 1.754,95 |
| 5160259600 | FB-8 P F9 R | E09 | 1.754,95 |
| Kits compuerta | | | |
| 5137057100 | ID KIT COMPUERTA UTBS-2 | E09 | 309,16 |
| 5137057200 | ID KIT COMPUERTA UTBS-3 | E09 | 368,94 |
| 5137057300 | ID KIT COMPUERTA UTBS-5 | E09 | 452,86 |
| 5137057400 | ID KIT COMPUERTA UTBS-8 | E09 | 879,61 |

ACCESORIOS PARA LAS SERIES UTBS ECOWATT y UTBS PRO-REG

| Código | Modelos | Grupo producto | Precio €/u. |
|------------------------|------------------|----------------|---------------|
| Filtros recambio G4 | | | |
| 5402055800 | AFR-UTBS-2-G4 | E09 | 54,49 |
| 5402055900 | AFR-UTBS-3-G4 | E09 | 81,14 |
| 5402056000 | AFR-UTBS-5-G4 | E09 | 132,33 |
| 5402056100 | AFR-UTBS-8-G4 | E09 | 186,06 |
| Filtros recambio F5 | | | |
| 5402056200 | AFR-UTBS-2-F5 | E09 | 94,07 |
| 5402056300 | AFR-UTBS-3-F5 | E09 | 138,85 |
| 5402056400 | AFR-UTBS-5-F5 | E09 | 205,36 |
| 5402056500 | AFR-UTBS-8-F5 | E09 | 251,05 |
| Filtros recambio F7 | | | |
| 5402057000 | AFR-UTBS-2-F7 | E09 | 135,60 |
| 5402057100 | AFR-UTBS-3-F7 | E09 | 202,74 |
| 5402057200 | AFR-UTBS-5-F7 | E09 | 294,79 |
| 5402057300 | AFR-UTBS-8-F7 | E09 | 352,38 |
| Filtros recambio F9 | | | |
| 5402057800 | AFR-UTBS-2-F9 | E09 | 138,31 |
| 5402057900 | AFR-UTBS-3-F9 | E09 | 206,95 |
| 5402058000 | AFR-UTBS-5-F9 | E09 | 300,71 |
| 5402058100 | AFR-UTBS-8-F9 | E09 | 362,07 |
| Acoplamiento elásticos | | | |
| Módulo principal | | | |
| 5402042000 | JF-UTBS 650x250 | E09 | 129,11 |
| 5402042100 | JF-UTBS 1000x300 | E09 | 200,34 |
| 5402042200 | JF-UTBS 1400x300 | E09 | 256,23 |
| 5402042300 | JF-UTBS 1800x400 | E09 | 297,82 |
| Acoplamiento elásticos | | | |
| Módulo mezcla | | | |
| 5402042700 | JF-UTBS 400x210 | E09 | 92,75 |
| 5402047100 | JF-UTBS 450x310 | E09 | 95,86 |
| 5402047300 | JF-UTBS 750x310 | E09 | 123,49 |
| 5402047800 | JF-UTBS 900x410 | E09 | 154,15 |
| 5402042900 | JF-UTBS 800x210 | E09 | 145,55 |
| 5402047000 | JF-UTBS 1200x210 | E09 | 211,00 |
| 5402047700 | JF-UTBS 1600x310 | E09 | 252,06 |

| Código | Modelos | Grupo producto | Precio €/u. |
|------------------------|-------------------|----------------|-----------------|
| Módulos de mezcla | | | |
| 5160012500 | 2MA-2 | E09 | 841,11 |
| 5160012600 | 2MA-3 | E09 | 1.085,39 |
| 5160012700 | 2MA-5 | E09 | 1.234,51 |
| 5160012800 | 2MA-8 | E09 | 1.828,75 |
| 5160260300 | 2MB-2 | E09 | 1.150,85 |
| 5160260400 | 2MB-3 | E09 | 1.298,58 |
| 5160260500 | 2MB-5 | E09 | 1.805,06 |
| 5160260600 | 2MB-8 | E09 | 2.236,29 |
| 5160260700 | 2MD-2 | E09 | 1.144,53 |
| 5160260800 | 2MD-3 | E09 | 1.253,56 |
| 5160260900 | 2MD-5 | E09 | 1.778,27 |
| 5160261000 | 2MD-8 | E09 | 2.036,27 |
| 5160261100 | 2ME-2 | E09 | 1.150,85 |
| 5160261200 | 2ME-3 | E09 | 1.298,58 |
| 5160261300 | 2ME-5 | E09 | 1.805,06 |
| 5160261400 | 2ME-8 | E09 | 2.236,29 |
| Tejadillos | | | |
| 5137266600 | TPP UTBS-2 L-1205 | E09 | 402,10 |
| 5137266700 | TPP UTBS-2 L-1455 | E09 | 416,01 |
| 5137266400 | TPP UTBS-2 L-750 | E09 | 331,38 |
| 5137267000 | TPP UTBS-3 L-1205 | E09 | 482,51 |
| 5137267100 | TPP UTBS-3 L-1455 | E09 | 501,04 |
| 5137266800 | TPP UTBS-3 L-750 | E09 | 416,33 |
| 5137267400 | TPP UTBS-5 L-1205 | E09 | 610,65 |
| 5137267500 | TPP UTBS-5 L-1455 | E09 | 628,65 |
| 5137267200 | TPP UTBS-5 L-750 | E09 | 519,22 |
| 5137267800 | TPP UTBS-8 L-1205 | E09 | 772,37 |
| 5137267900 | TPP UTBS-8 L-1455 | E09 | 805,50 |
| 5137267600 | TPP UTBS-8 L-750 | E09 | 658,61 |
| Viseras | | | |
| 5137053500 | VF-UTBS2 | E09 | 79,01 |
| 5137053600 | VF-UTBS3 | E09 | 112,08 |
| 5137053700 | VF-UTBS5 | E09 | 143,75 |
| 5137053800 | VF-UTBS8 | E09 | 198,78 |
| 5137054700 | VL-UTBS2 | E09 | 69,40 |
| 5137054000 | VL-UTBS3 | E09 | 79,65 |
| 5137054100 | VL-UTBS5 | E09 | 96,28 |
| 5137054500 | VL-UTBS8 | E09 | 121,74 |
| 5137055500 | VS-UTBS2 | E09 | 109,84 |
| 5137055600 | VS-UTBS3 | E09 | 138,41 |
| 5137055700 | VS-UTBS5 | E09 | 173,76 |
| 5137055800 | VS-UTBS8 | E09 | 237,72 |
| Termostato change-over | | | |
| 5416783700 | THCO | E09 | 85,63 |

Serie CAIB/T PRO-REG



Unidades de tratamiento para la introducción de aire en locales comerciales y cocinas profesionales, con caja de chapa de acero galvanizado con 4 pies incorporados, aislamiento térmico y acústico ininflamable reforzado de fibra de vidrio de 50 mm de espesor, de 40 kgs/m³ de densidad, clasificación al fuego A1 según norma EN13 501.1, ventilador centrífugo de álabes hacia atrás de chapa de acero galvanizado con motor EC incorporado. Versión estándar equipada con filtros M5 (ePM10 ≥75%) de 96mm de espesor. Disponible versión doble filtro, equipada con filtros M5 y F7 filters (48+48mm de espesor).

Gama

4 modelos con caudales de 200 a 3.500 m³/h. Regulación electrónica completa (sistema plug & play). Versiones con:

- Batería eléctrica (E).
- Batería de agua caliente (H3).
- Batería de agua reversible (R3).
- Batería de agua caliente + batería de agua fría (H3 C4).
- Batería de agua fría (C4).

Motores

Motores tipo plug fan con motor EC. Tensión de alimentación Monofásicos o trifásicos con protección térmica regulada electrónicamente:
 - CAIB/T PRO-REG 10/20: Monofásico 230V (200-277V), 50/60Hz, IP44, Clase B.
 - CAIB/T PRO-REG 30: Monofásico 230V (200-277V), 50/60Hz, IP54, Clase B.
 - CAIT PRO-REG 40: Trifásico 400V (380-480V), 50/60Hz, IP54, Clase B.

Control

Incluye control manual o automático en modos caudal variable (VAV), presión constante (COP) o caudal constante (CAV), mediante sensores de CO₂, o presión (accesorios). Gestión de la postcalefacción gracias a las sondas de temperatura existentes en la unidad. Mando de control remoto incluido. Integrables en redes de comunicación Modbus RS485 y BacNet TCP/IP.

Otros datos

Pueden instalarse tanto en interior como en exterior. Rango de temperaturas del aire tratado de -25°C a +40°C. Los modelos con batería agua incluyen el suministro de la/s válvula/s de regulación correspondientes (1 por cada batería).



Aplicaciones específicas



Cocinas industriales



Locales comerciales

REFERENCIA

| | | | | | | | | | |
|----------|----------|----------|----------|---|-----------|-----------|-----------|----------------|----------|
| C | A | I | B | - | 20 | M5 | H3 | PRO-REG | L |
| 1 | | | | | 2 | 3 | 4 | 5 | 6 |

- 1 - Serie.
CAIB: Unidad de impulsión con motor monofásico 230V.
CAIT: Unidad de impulsión con motor trifásico 400V.
- 2 - Modelo / caudal de aire máximo:
10: 1.000 m³/h
20: 2.000 m³/h
30: 3.100 m³/h
40: 4.000 m³/h
- 3 - Filtro
M5: Equipada con un único filtro M5 de 96 mm de espesor.
M5 F7: Equipadas con dos filtros M5+F7, 48+48 mm de espesor.
- 4 - Versiones del modelo
E6..E48: Versión con batería eléctrica.
H2 / H3: Versión con batería de agua caliente.
C4: Versión con batería de agua fría.
R3 / R4: Versión con batería de agua reversible.
H2 C4 / H3 C4: Versión con batería de agua caliente + batería de agua fría.
- 5 - Tipo de control
PRO-REG: Control avanzado plug&play.
- 6 - Lado conexiones
L: Izquierda según sentido aire.
R: Derecha según sentido aire.

CARACTERÍSTICAS TÉCNICAS

Es imprescindible comprobar que las características eléctricas (voltaje, intensidad, frecuencia, etc.) del motor que aparecen en la placa del mismo son compatibles con las de la instalación.

| Unidades con batería eléctrica (E6 a E48) | Unidad Completa | | | Ventilador | | | Batería eléctrica | | | |
|---|-----------------|---------------------|----------------|---------------------------|------------------------|-----------------------|-------------------|---------------------|--------------------------------|-----------------------|
| | Alimentación | Potencia total (kW) | Intensidad (A) | Velocidad máxima (r.p.m.) | Potencia abs. máx. (W) | Intensidad máxima (A) | Número de etapas | Potencia/etapa (kW) | Potencia calorífica total (kW) | Intensidad máxima (A) |
| CAIB-10 E6 PRO-REG | 1/230V, 50Hz | 7 | 29 | 2649 | 193 | 1,5 | 2 | 3 | 6 | 26,1 |
| CAIT-10 E9 PRO-REG | 3+N/400V, 50Hz | 10 | 15 | 2649 | 193 | 1,5 | 3 | 3 | 9 | 13 |
| CAIT-20 E9 PRO-REG | 3+N/400V, 50Hz | 10 | 16 | 2850 | 415 | 1,8 | 3 | 3 | 9 | 13 |
| CAIT-20 E15 PRO-REG | 3+N/400V, 50Hz | 16 | 25 | 2850 | 415 | 1,8 | 3 | 5 | 15 | 21,7 |
| CAIT-30 E9 PRO-REG | 3+N/400V, 50Hz | 10 | 17 | 2800 | 715 | 3,1 | 3 | 3 | 9 | 13 |
| CAIT-30 E15 PRO-REG | 3+N/400V, 50Hz | 17 | 26 | 2800 | 715 | 3,1 | 3 | 5 | 15 | 21,7 |
| CAIT-30 E24 PRO-REG | 3+N/400V, 50Hz | 26 | 40 | 2800 | 715 | 3,1 | 3 | 3+5 | 24 | 34,6 |
| CAIT-40 E15 PRO-REG | 3+N/400V, 50Hz | 17 | 24 | 2580 | 1000 | 1,63 | 3 | 5 | 15 | 21,7 |
| CAIT-40 E30 PRO-REG | 3+N/400V, 50Hz | 33 | 47 | 2580 | 1000 | 1,63 | 6 | 5 | 30 | 43,3 |

* En el modelo CAIT-50 equipado con batería eléctrica de 48kW, la alimentación eléctrica de la batería es independiente al resto del equipo. Se incluye interruptor de corte específico para la batería eléctrica.

| Batería de agua caliente H2 / H3 | Unidad Completa | | | Ventilador | | |
|----------------------------------|-----------------|---------------------|--------------------------|---------------------------|------------------------|-----------------------|
| | Alimentación | Potencia total (kW) | Intensidad abs. máx. (A) | Velocidad máxima (r.p.m.) | Potencia abs. máx. (W) | Intensidad máxima (A) |
| CAIB-10 H3 PRO-REG | 1/230V, 50Hz | 0,2 | 2 | 2649 | 193 | 1,5 |
| CAIB-20 H3 PRO-REG | 1/230V, 50Hz | 0,4 | 2 | 2850 | 415 | 1,8 |
| CAIB-30 H3 PRO-REG | 1/230V, 50Hz | 1 | 3 | 2800 | 715 | 3,1 |
| CAIT-40 H3 PRO-REG | 3+N/400V, 50Hz | 1 | 2 | 2580 | 1000 | 1,63 |

| Batería de agua fría C4 | Unidad Completa | | | Ventilador | | |
|-------------------------|-----------------|---------------------|--------------------------|---------------------------|------------------------|-----------------------|
| | Alimentación | Potencia total (kW) | Intensidad abs. máx. (A) | Velocidad máxima (r.p.m.) | Potencia abs. máx. (W) | Intensidad máxima (A) |
| CAIB-10 C4 PRO-REG | 1/230V, 50Hz | 0,2 | 2 | 2649 | 193 | 1,5 |
| CAIB-20 C4 PRO-REG | 1/230V, 50Hz | 0,4 | 2 | 2850 | 415 | 1,8 |
| CAIB-30 C4 PRO-REG | 1/230V, 50Hz | 1 | 3 | 2800 | 715 | 3,1 |
| CAIT-40 C4 PRO-REG | 3+N/400V, 50Hz | 1 | 2 | 2580 | 1000 | 1,63 |

| Batería de agua reversible R3 / R4 | Unidad Completa | | | Ventilador | | |
|------------------------------------|-----------------|---------------------|--------------------------|---------------------------|------------------------|-----------------------|
| | Alimentación | Potencia total (kW) | Intensidad abs. máx. (A) | Velocidad máxima (r.p.m.) | Potencia abs. máx. (W) | Intensidad máxima (A) |
| CAIB-10 R3 PRO-REG | 1/230V, 50Hz | 0,2 | 2 | 2649 | 193 | 1,5 |
| CAIB-20 R3 PRO-REG | 1/230V, 50Hz | 0,4 | 2 | 2850 | 415 | 1,8 |
| CAIB-30 R3 PRO-REG | 1/230V, 50Hz | 1 | 3 | 2800 | 715 | 3,1 |
| CAIT-40 R3 PRO-REG | 3+N/400V, 50Hz | 1 | 2 | 2580 | 1000 | 1,63 |

| Batería de agua caliente + Batería de agua fría H2 C4 / H3 C4 | Unidad Completa | | | Ventilador | | |
|---|-----------------|---------------------|--------------------------|---------------------------|------------------------|-----------------------|
| | Alimentación | Potencia total (kW) | Intensidad abs. máx. (A) | Velocidad máxima (r.p.m.) | Potencia abs. máx. (W) | Intensidad máxima (A) |
| CAIB-10 H3 C4 PRO-REG | 1/230V, 50Hz | 0,2 | 2 | 2649 | 193 | 1,5 |
| CAIB-20 H3 C4 PRO-REG | 1/230V, 50Hz | 0,4 | 2 | 2850 | 415 | 1,8 |
| CAIB-30 H3 C4 PRO-REG | 1/230V, 50Hz | 1 | 3 | 2800 | 715 | 3,1 |
| CAIT-40 H3 C4 PRO-REG | 3+N/400V, 50Hz | 1 | 2 | 2580 | 1000 | 1,63 |

| Código | Modelos | Grupo producto | Precio €/u. |
|------------|----------------------------|----------------|------------------|
| 5209376300 | CAIB-10 M5 E6 PRO-REG R | E09 | 8.481,47 |
| 5209376400 | CAIT-10 M5 E9 PRO-REG R | E09 | 8.304,17 |
| 5209376500 | CAIB-10 M5 E6 PRO-REG L | E09 | 8.481,47 |
| 5209376600 | CAIT-10 M5 E9 PRO-REG L | E09 | 8.304,17 |
| 5209376700 | CAIT-20 M5 E15 PRO-REG R | E09 | 9.622,60 |
| 5209376800 | CAIT-20 M5 E9 PRO-REG R | E09 | 9.533,17 |
| 5209376900 | CAIT-20 M5 E15 PRO-REG L | E09 | 9.622,60 |
| 5209377000 | CAIT-20 M5 E9 PRO-REG L | E09 | 9.533,17 |
| 5209377100 | CAIT-30 M5 E15 PRO-REG R | E09 | 10.392,61 |
| 5209377200 | CAIT-30 M5 E24 PRO-REG R | E09 | 10.621,36 |
| 5209377300 | CAIT-30 M5 E9 PRO-REG R | E09 | 10.303,19 |
| 5209377400 | CAIT-30 M5 E24 PRO-REG L | E09 | 10.621,36 |
| 5209377500 | CAIT-30 M5 E9 PRO-REG L | E09 | 10.303,19 |
| 5209377600 | CAIT-30 M5 E15 PRO-REG L | E09 | 10.392,61 |
| 5209377700 | CAIT-40 M5 E15 PRO-REG R | E09 | 11.315,25 |
| 5209377800 | CAIT-40 M5 E30 PRO-REG R | E09 | 11.633,37 |
| 5209377900 | CAIT-40 M5 E15 PRO-REG L | E09 | 11.315,25 |
| 5209378000 | CAIT-40 M5 E30 PRO-REG L | E09 | 11.633,37 |
| 5209374100 | CAIB-10 M5 H3 PRO-REG R | E09 | 8.555,11 |
| 5209374200 | CAIB-10 M5 H3 PRO-REG L | E09 | 8.555,11 |
| 5209374300 | CAIB-20 M5 H3 PRO-REG R | E09 | 10.063,38 |
| 5209374400 | CAIB-20 M5 H3 PRO-REG L | E09 | 10.063,38 |
| 5209374500 | CAIB-30 M5 H3 PRO-REG R | E09 | 10.842,16 |
| 5209374600 | CAIB-30 M5 H3 PRO-REG L | E09 | 10.842,16 |
| 5209374700 | CAIT-40 M5 H3 PRO-REG R | E09 | 11.706,72 |
| 5209374800 | CAIT-40 M5 H3 PRO-REG L | E09 | 11.706,72 |
| 5209375500 | CAIB-10 M5 C4 PRO-REG R | E09 | 8.870,02 |
| 5209375600 | CAIB-10 M5 C4 PRO-REG L | E09 | 8.870,02 |
| 5209375700 | CAIB-20 M5 C4 PRO-REG R | E09 | 10.583,35 |
| 5209375800 | CAIB-20 M5 C4 PRO-REG L | E09 | 10.583,35 |
| 5209375900 | CAIB-30 M5 C4 PRO-REG R | E09 | 11.362,07 |
| 5209376000 | CAIB-30 M5 C4 PRO-REG L | E09 | 11.362,07 |
| 5209376100 | CAIT-40 M5 C4 PRO-REG R | E09 | 12.227,33 |
| 5209376200 | CAIT-40 M5 C4 PRO-REG L | E09 | 12.227,33 |
| 5209374900 | CAIB-20 M5 H3 C4 PRO-REG R | E09 | 12.382,94 |
| 5209375000 | CAIB-20 M5 H3 C4 PRO-REG L | E09 | 12.382,94 |
| 5209375100 | CAIB-30 M5 H3 C4 PRO-REG R | E09 | 13.163,04 |
| 5209375200 | CAIB-30 M5 H3 C4 PRO-REG L | E09 | 13.163,04 |
| 5209375300 | CAIT-40 M5 H3 C4 PRO-REG R | E09 | 14.027,69 |
| 5209375400 | CAIT-40 M5 H3 C4 PRO-REG L | E09 | 14.027,69 |
| 5209378100 | CAIB-10 M5 R3 PRO-REG R | E09 | 8.947,90 |
| 5209378200 | CAIB-10 M5 R3 PRO-REG L | E09 | 8.947,90 |
| 5209378300 | CAIB-20 M5 R3 PRO-REG R | E09 | 10.537,70 |
| 5209378400 | CAIB-20 M5 R3 PRO-REG L | E09 | 10.537,70 |
| 5209378500 | CAIB-30 M5 R3 PRO-REG R | E09 | 11.316,47 |
| 5209378600 | CAIB-30 M5 R3 PRO-REG L | E09 | 11.316,47 |
| 5209378700 | CAIT-40 M5 R3 PRO-REG R | E09 | 12.181,00 |
| 5209378800 | CAIT-40 M5 R3 PRO-REG L | E09 | 12.181,00 |

| Código | Modelos | Grupo producto | Precio €/u. |
|------------|-------------------------------|----------------|------------------|
| 5209381100 | CAIT-10 M5 F7 E6 PRO-REG R | E09 | 8.608,72 |
| 5209381200 | CAIT-10 M5 F7 E9 PRO-REG R | E09 | 8.431,42 |
| 5209381300 | CAIT-10 M5 F7 E6 PRO-REG L | E09 | 8.608,72 |
| 5209381400 | CAIT-10 M5 F7 E9 PRO-REG L | E09 | 8.431,42 |
| 5209381500 | CAIT-20 M5 F7 E15 PRO-REG R | E09 | 9.819,69 |
| 5209381600 | CAIT-20 M5 F7 E9 PRO-REG R | E09 | 9.730,26 |
| 5209381700 | CAIT-20 M5 F7 E15 PRO-REG L | E09 | 9.819,69 |
| 5209381800 | CAIT-20 M5 F7 E9 PRO-REG L | E09 | 9.730,26 |
| 5209381900 | CAIT-30 M5 F7 E15 PRO-REG R | E09 | 10.589,69 |
| 5209382000 | CAIT-30 M5 F7 E24 PRO-REG R | E09 | 10.818,43 |
| 5209382100 | CAIT-30 M5 F7 E9 PRO-REG R | E09 | 10.500,26 |
| 5209382200 | CAIT-30 M5 F7 E24 PRO-REG L | E09 | 10.818,43 |
| 5209382300 | CAIT-30 M5 F7 E9 PRO-REG L | E09 | 10.500,26 |
| 5209382400 | CAIT-30 M5 F7 E15 PRO-REG L | E09 | 10.589,69 |
| 5209382500 | CAIT-40 M5 F7 E15 PRO-REG R | E09 | 11.512,34 |
| 5209382600 | CAIT-40 M5 F7 E30 PRO-REG R | E09 | 11.830,43 |
| 5209382700 | CAIT-40 M5 F7 E15 PRO-REG L | E09 | 11.512,34 |
| 5209382800 | CAIT-40 M5 F7 E30 PRO-REG L | E09 | 11.830,43 |
| 5209378900 | CAIB-10 M5 F7 H3 PRO-REG R | E09 | 8.682,36 |
| 5209379000 | CAIB-10 M5 F7 H3 PRO-REG L | E09 | 8.682,36 |
| 5209379100 | CAIB-20 M5 F7 H3 PRO-REG R | E09 | 10.260,45 |
| 5209379200 | CAIB-20 M5 F7 H3 PRO-REG L | E09 | 10.260,45 |
| 5209379300 | CAIB-30 M5 F7 H3 PRO-REG R | E09 | 11.039,23 |
| 5209379400 | CAIB-30 M5 F7 H3 PRO-REG L | E09 | 11.039,23 |
| 5209379500 | CAIT-40 M5 F7 H3 PRO-REG R | E09 | 11.903,79 |
| 5209379600 | CAIT-40 M5 F7 H3 PRO-REG L | E09 | 11.903,79 |
| 5209380300 | CAIB-10 M5 F7 C4 PRO-REG R | E09 | 8.997,26 |
| 5209380400 | CAIB-10 M5 F7 C4 PRO-REG L | E09 | 8.997,26 |
| 5209380500 | CAIB-20 M5 F7 C4 PRO-REG R | E09 | 10.780,43 |
| 5209380600 | CAIB-20 M5 F7 C4 PRO-REG L | E09 | 10.780,43 |
| 5209380700 | CAIB-30 M5 F7 C4 PRO-REG R | E09 | 11.559,14 |
| 5209380800 | CAIB-30 M5 F7 C4 PRO-REG L | E09 | 11.559,14 |
| 5209380900 | CAIT-40 M5 F7 C4 PRO-REG R | E09 | 12.424,40 |
| 5209381000 | CAIT-40 M5 F7 C4 PRO-REG L | E09 | 12.424,40 |
| 5209379700 | CAIB-20 M5 F7 H3 C4 PRO-REG R | E09 | 12.579,99 |
| 5209379800 | CAIB-20 M5 F7 H3 C4 PRO-REG L | E09 | 12.579,99 |
| 5209379900 | CAIB-30 M5 F7 H3 C4 PRO-REG R | E09 | 13.360,14 |
| 5209380000 | CAIB-30 M5 F7 H3 C4 PRO-REG L | E09 | 13.360,14 |
| 5209380100 | CAIT-40 M5 F7 H3 C4 PRO-REG R | E09 | 14.224,76 |
| 5209380200 | CAIT-40 M5 F7 H3 C4 PRO-REG L | E09 | 14.224,76 |
| 5209382900 | CAIB-10 M5 F7 R3 PRO-REG R | E09 | 9.075,15 |
| 5209383000 | CAIB-10 M5 F7 R3 PRO-REG L | E09 | 9.075,15 |
| 5209383100 | CAIB-20 M5 F7 R3 PRO-REG R | E09 | 10.734,78 |
| 5209383200 | CAIB-20 M5 F7 R3 PRO-REG L | E09 | 10.734,78 |
| 5209383300 | CAIB-30 M5 F7 R3 PRO-REG R | E09 | 11.513,54 |
| 5209383400 | CAIB-30 M5 F7 R3 PRO-REG L | E09 | 11.513,54 |
| 5209383500 | CAIT-40 M5 F7 R3 PRO-REG R | E09 | 12.378,07 |
| 5209383600 | CAIT-40 M5 F7 R3 PRO-REG L | E09 | 12.378,07 |

ACCESORIOS CAIB/T PRO-REG

| Código | Modelos | Grupo producto | Precio €/u. |
|-----------------------|---------------------------|----------------|---------------|
| Versión simple filtro | | | |
| 5407039100 | AFR CAIB 10 F7 | E09 | 254,14 |
| 5407038700 | AFR CAIB 10 G4 | E09 | 106,90 |
| 5407038900 | AFR CAIB 10 M5 | E09 | 141,24 |
| 5407039200 | AFR CAIB 20/30/40 F7 | E09 | 429,68 |
| 5407038800 | AFR CAIB 20/30/40 G4 | E09 | 151,61 |
| 5407039000 | AFR CAIB 20/30/40 M5 | E09 | 181,04 |
| Versión doble filtro | | | |
| 5407072700 | AFR CAIB-10 M5-PRE | E09 | 70,53 |
| 5407072800 | AFR CAIB-20/30/40 M5-PRE | E09 | 82,14 |
| 5407072900 | AFR CAIB-10 F7-POST | E09 | 142,30 |
| 5407073000 | AFR CAIB-20/30/40 F7-POST | E09 | 242,89 |

| Código | Modelos | Grupo producto | Precio €/u. |
|------------------------|--------------------|----------------|---------------|
| Bridas | | | |
| 5209373200 | BCC-250 CAIB-10 | E09 | 157,64 |
| 5209373300 | BCC-355 CAIB-20 | E09 | 220,56 |
| 5209373400 | BCC-400 CAIB-30/40 | E09 | 220,56 |
| 5209373500 | BRC CAIB-10 | E09 | 224,23 |
| 5209373600 | BRC CAIB-20/30/40 | E09 | 241,98 |
| Viseras | | | |
| 5209373700 | APR CAIB-10 | E09 | 273,79 |
| 5209373800 | APR CAIB-20/30/40 | E09 | 367,95 |
| Acoplamiento elásticos | | | |
| 5209373900 | MSCE 410x270 M0 | E09 | 297,17 |
| 5209374000 | MSCE 560x510 M0 | E09 | 405,77 |
| Sensores | | | |
| 5416786900 | SPRD-010B 800 | E01 | 232,76 |



300 CAD-COMPACT



303 CADB/T-HE ECOWATT

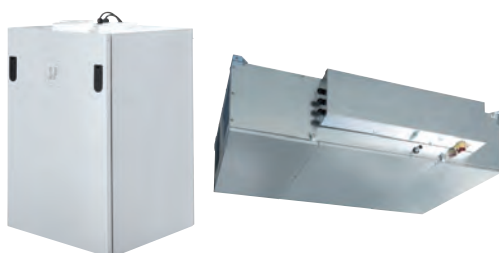


308 CADB/T-HE PRO-REG

Ampliación de gama



315 CADB/T-HE BASIC



319 CAD-HE EC



320 RHE



333 CADS-HE



333 CADS-FLEXEO



358 FLEXEO 3V



360 SABIK



361 DOMEQ



351 ALTAIR

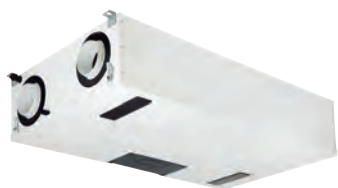
Todos los motores incorporados en nuestros productos cumplen con el Reglamento CE nº 640/2009.



Serie que cumplen con la Directiva ErP.



Serie energéticamente eficientes.



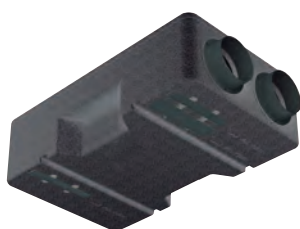
353 NEMBUS



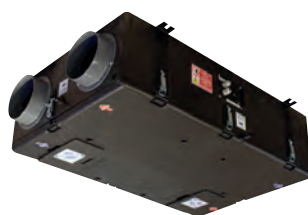
354 SLIMLINE



355 AD



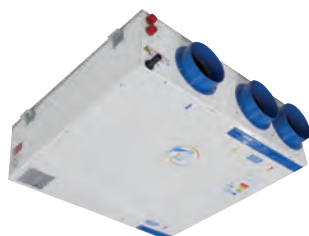
356 BR 25 BASIC



356 BR 25



359 ORKA



362 BR DH



334 MBW

Todos los motores incorporados en nuestros productos cumplen con el Reglamento CE nº 640/2009.



Series que cumplen con la Directiva ErP.



Series energéticamente eficientes.

Series CAD-COMPACT



Recuperadores de calor, con intercambiador de calor de placas de aluminio tipo counterflow de alta eficiencia (hasta el 88%) certificado por EUROVENT, montados en una envolvente de acero galvanizado, de doble pared con aislamiento interior termoacústico ininflamable (A1/M0) de lana mineral de 25 mm de espesor en los modelos 500 a 2500 y 30 mm en los modelos 3200 y 4500. Bocas de entrada y salida circulares con junta en modelos 500 a 1800 y rectangulares en los modelos 2500 a 4500. Sólo disponible para instalación horizontal. Temperatura mínima de aire exterior -10°C. Para temperaturas inferiores es necesario utilizar baterías de precalentamiento ubicadas en la aspiración del aire exterior.

Aplicaciones

Renovación ambiental en locales comerciales, oficinas, hostelería, edificios públicos, escuelas.

La gama CAD-COMPACT no está disponible con baterías adicionales de postcalentamiento integradas en el equipo, si bien es posible añadirlas como accesorios.

Ventiladores

Plug-fans con rodets de álabes hacia atrás. Motores EC de alimentación monofásica, con protección electrónica integrada. IP44, Clase B.

Filtros

- F7: Filtros F7 (ePM1 70%) de baja pérdida para la aportación de aire.
- M5: Filtros M5 (ePM10 50%) para la extracción de aire.
- Posibilidad de montar un segundo filtro en el interior del equipo (suministrado como accesorio).

Control

Las unidades CAD-COMPACT pueden ser suministradas con 3 niveles de control de funcionamiento:

VERSIÓN ECOWATT:

Sin control integrado. Las unidades se suministran con el precableado de componentes al armario eléctrico (ventiladores, by-pass, presostatos filtros, y sondas de temperatura).

VERSIONES BASIC y ADVANCED incluyen:

Un control de funcionamiento integral, ubicado en el interior del armario eléctrico y cableado a todos los componentes (ventiladores, by-pass, detectores de ensuciamiento de filtros, sondas de temperatura, etc.). Incluyen terminal de mando para el control remoto (cableado). Permite el control manual o automático de los ventiladores.

Ver características detalladas de ambos controles en tabla sobre funcionalidades de las versiones Plug&Play.

Otros datos

Alimentación eléctrica monofásica 230V 50-60Hz en los modelos 500 a 3200, trifásica 400V 50-60Hz en modelo 4500. Caudales nominales de 460 a 4.165 m³/h con 150Pa de presión disponible. Todos los modelos y versiones incluyen by-pass interno.



Recuperación de calor



ErP OK



Smart Ventilation Systems



e-technology



FILTRO EN APORTACIÓN



FILTRO EN EXTRACCIÓN

Versiones



CONFIGURACIÓN HORIZONTAL



SIN APORTE DE CALOR ADICIONAL

REFERENCIA

| | | | | | | | | | | | | |
|---|---|---|---|---|---|---|---|---|---|---|------|-------|
| C | A | D | - | C | O | M | P | A | C | T | 1800 | BASIC |
| 1 | | | | | | | | | | | 2 | 3 |

1 - Serie:
CAD-COMPACT: Recuperadores de calor de alto rendimiento compactos.

2 - Tamaño
500
900
1300
1800
2500
3200
4500

3 - Control:
ECOWATT: Sin control integrado. Componentes precableados al armario eléctrico.
BASIC: Control Plug & Play BASICO incluido.
ADVANCED: Control Plug & Play AVANZADO incluido.

CARACTERÍSTICAS TÉCNICAS

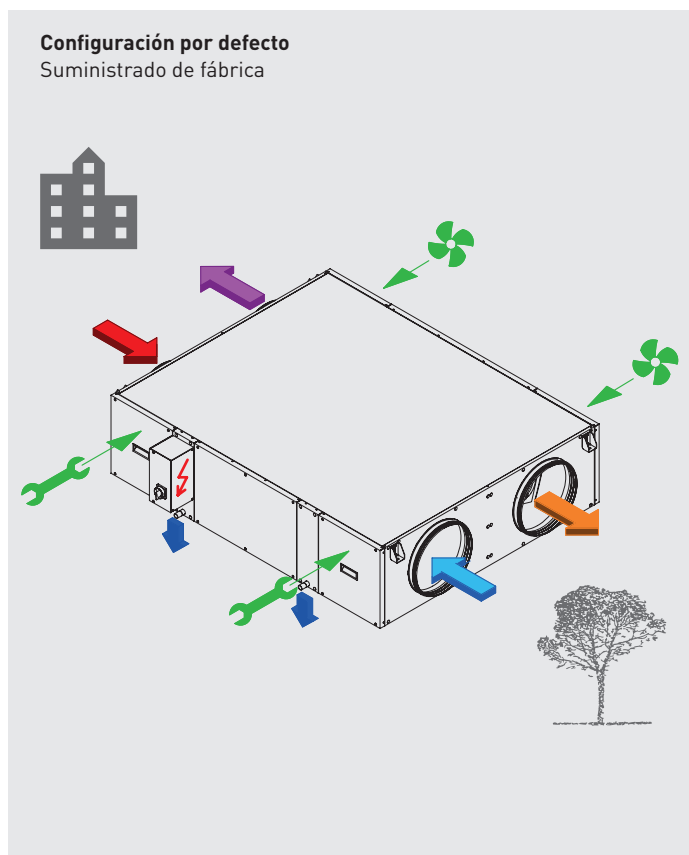
| Modelo | Diámetro conexiones aire (mm) | Caudal nominal a 150Pa*2 (m³/h) | Eficiencia recuperador*1 (%) | Alimentación eléctrica | Potencia absorbida máxima*2 (kW) | Intensidad máxima*2 (A) | Peso (kg) |
|------------------|-------------------------------|---------------------------------|------------------------------|------------------------|----------------------------------|-------------------------|-----------|
| CAD-COMPACT 500 | Ø200 | 460 | 82,2 | 1/230V, 50-60Hz | 0,31 | 2,1 | 70 |
| CAD-COMPACT 900 | Ø315 | 790 | 82,0 | 1/230V, 50-60Hz | 0,45 | 3,0 | 86 |
| CAD-COMPACT 1300 | Ø315 | 1.360 | 82,3 | 1/230V, 50-60Hz | 0,88 | 3,9 | 137 |
| CAD-COMPACT 1800 | Ø355 | 1.670 | 82,7 | 1/230V, 50-60Hz | 1,02 | 4,3 | 145 |
| CAD-COMPACT 2500 | 570x375 | 2.180 | 83,5 | 1/230V, 50-60Hz | 0,92 | 3,9 | 200 |
| CAD-COMPACT 3200 | 470x450 | 3.190 | 83,7 | 1/230V, 50-60Hz | 2,00 | 8,3 | 235 |
| CAD-COMPACT 4500 | 700x440 | 4.165 | 84,6 | 3/400V, 50-60 Hz | 2,60 | 10,4 | 336 |

*1 Eficiencia húmeda referida a caudal nominal, condiciones exteriores (-5°C 80% RH) e interiores (20°C/50%RH).

*2 Suma de ambos ventiladores.

CONFIGURACIONES ESTÁNDAR CAD-COMPACT

| | | | |
|--|--------------------------|--|-------------------------|
| | TOMA AIRE EXTERIOR | | SALIDA CONDENSADOS 1/2" |
| | IMPULSIÓN AIRE NUEVO | | ARMARIO ELÉCTRICO |
| | EXTRACCIÓN AIRE INTERIOR | | ACCESO FILTROS |
| | EXPULSIÓN AIRE INTERIOR | | ACCESO VENTILADORES |



CAD-COMPACT

Versión ECOWATT: Sin control integrado

| Código | Modelo | Grupo producto | Precio €/u. |
|------------|--------------------------|----------------|------------------|
| 5153135100 | CAD-COMPACT 500 ECOWATT | E08 | 4.372,22 |
| 5153135200 | CAD-COMPACT 900 ECOWATT | E08 | 5.327,00 |
| 5153135300 | CAD-COMPACT 1300 ECOWATT | E08 | 6.330,82 |
| 5153135400 | CAD-COMPACT 1800 ECOWATT | E08 | 6.609,77 |
| 5153180600 | CAD-COMPACT 2500 ECOWATT | E08 | 9.001,06 |
| 5153139400 | CAD-COMPACT 3200 ECOWATT | E08 | 10.343,12 |
| 5153140600 | CAD-COMPACT 4500 ECOWATT | E08 | 13.700,18 |

Versión BASIC: Con control básico integrado

| Código | Modelo | Grupo producto | Precio €/u. |
|------------|------------------------|----------------|------------------|
| 5153136200 | CAD-COMPACT 500 BASIC | E08 | 5.223,84 |
| 5153136300 | CAD-COMPACT 900 BASIC | E08 | 6.178,65 |
| 5153136400 | CAD-COMPACT 1300 BASIC | E08 | 7.182,47 |
| 5153136500 | CAD-COMPACT 1800 BASIC | E08 | 7.461,41 |
| 5153180700 | CAD-COMPACT 2500 BASIC | E08 | 9.854,12 |
| 5153139500 | CAD-COMPACT 3200 BASIC | E08 | 11.194,75 |
| 5153140700 | CAD-COMPACT 4500 BASIC | E08 | 14.551,70 |

Versión ADVANCED: Control avanzado integrado

| Código | Modelo | Grupo producto | Precio €/u. |
|------------|---------------------------|----------------|------------------|
| 5153136600 | CAD-COMPACT 500 ADVANCED | E08 | 5.500,50 |
| 5153136700 | CAD-COMPACT 900 ADVANCED | E08 | 6.455,29 |
| 5153136800 | CAD-COMPACT 1300 ADVANCED | E08 | 7.459,12 |
| 5153136900 | CAD-COMPACT 1800 ADVANCED | E08 | 7.738,07 |
| 5153180800 | CAD-COMPACT 2500 ADVANCED | E08 | 10.205,46 |
| 5153139600 | CAD-COMPACT 3200 ADVANCED | E08 | 11.471,40 |
| 5153140800 | CAD-COMPACT 4500 ADVANCED | E08 | 14.828,33 |

ACCESORIOS ESPECÍFICOS PARA LA SERIE CAD-COMPACT

| Código | Modelo | Grupo producto | Precio €/u. |
|----------------------------|-------------------------|----------------|---------------|
| Filtros AFR CAD-COMPACT G4 | | | |
| 5800023900 | AFR CAD-COMPACT 500 G4 | E08 | 45,27 |
| 5800024000 | AFR CAD-COMPACT 900 G4 | E08 | 59,20 |
| 5800024100 | AFR CAD-COMPACT 1300 G4 | E08 | 78,93 |
| 5800024200 | AFR CAD-COMPACT 1800 G4 | E08 | 81,07 |
| 5800055500 | AFR CAD-COMPACT 2500 G4 | E08 | 101,17 |
| 5800024700 | AFR CAD-COMPACT 3200 G4 | E08 | 101,17 |
| 5800024800 | AFR CAD-COMPACT 4500 G4 | E08 | 184,45 |
| Filtros AFR CAD-COMPACT M5 | | | |
| 5800011500 | AFR CAD-COMPACT 500 M5 | E08 | 60,36 |
| 5800011600 | AFR CAD-COMPACT 900 M5 | E08 | 78,93 |
| 5800011700 | AFR CAD-COMPACT 1300 M5 | E08 | 105,24 |
| 5800011800 | AFR CAD-COMPACT 1800 M5 | E08 | 108,09 |
| 5800051900 | AFR CAD-COMPACT 2500 M5 | E08 | 134,89 |
| 5800014800 | AFR CAD-COMPACT 3200 M5 | E08 | 134,89 |
| 5800014900 | AFR CAD-COMPACT 4500 M5 | E08 | 245,93 |
| Filtros AFR CAD-COMPACT F7 | | | |
| 5800011900 | AFR CAD-COMPACT 500 F7 | E08 | 61,55 |
| 5800012000 | AFR CAD-COMPACT 900 F7 | E08 | 80,50 |
| 5800012100 | AFR CAD-COMPACT 1300 F7 | E08 | 107,34 |
| 5800012200 | AFR CAD-COMPACT 1800 F7 | E08 | 110,26 |
| 5800052000 | AFR CAD-COMPACT 2500 F7 | E08 | 137,57 |
| 5800015100 | AFR CAD-COMPACT 3200 F7 | E08 | 137,57 |
| 5800015200 | AFR CAD-COMPACT 4500 F7 | E08 | 253,60 |
| Filtros AFR CAD-COMPACT F9 | | | |
| 5800024300 | AFR CAD-COMPACT 500 F9 | E08 | 62,78 |
| 5800024400 | AFR CAD-COMPACT 900 F9 | E08 | 82,13 |
| 5800024500 | AFR CAD-COMPACT 1300 F9 | E08 | 109,51 |
| 5800024600 | AFR CAD-COMPACT 1800 F9 | E08 | 112,47 |
| 5800055600 | AFR CAD-COMPACT 2500 F9 | E08 | 140,33 |
| 5800025000 | AFR CAD-COMPACT 3200 F9 | E08 | 140,33 |
| 5800025100 | AFR CAD-COMPACT 4500 F9 | E08 | 259,63 |

| Código | Modelo | Grupo producto | Precio €/u. |
|---------------------------------------|------------------------------|----------------|-----------------|
| Tejados antilluvia TPP CAD-COMPACT | | | |
| 5407034300 | TPP CAD-COMPACT 500 | E08 | 340,13 |
| 5407034400 | TPP CAD-COMPACT 900 | E08 | 355,24 |
| 5407034500 | TPP CAD-COMPACT 1300 | E08 | 514,00 |
| 5407034600 | TPP CAD-COMPACT 1800 | E08 | 514,00 |
| 5407094700 | TPP CAD-COMPACT 2500 | E08 | 713,65 |
| 5407034700 | TPP CAD-COMPACT 3200 | E08 | 775,70 |
| 5407034800 | TPP CAD-COMPACT 4500 | E08 | 1.265,21 |
| Kit pies | | | |
| 5407035000 | KIT PIES CAD-COMPACT | E08 | 85,09 |
| Adaptadores de rectangular a circular | | | |
| 5407094600 | PRRE 570x375/400 | E08 | 394,92 |
| 5407034200 | PRRE 470x450/400 | E08 | 348,64 |
| 5407075100 | PRRE 700x440/500 | E08 | 477,11 |
| Amortiguadores | | | |
| 5130064900 | KIT AM CAD-COMPACT (4 units) | E08 | 26,13 |
| Sonda de temperatura control baterías | | | |
| 5416049800 | TG-K NTC 4M | E80 | 58,39 |

Series CADB/T-HE ECOWATT



Modelos falso techo
CADB/T-HE 04 a 33



Modelos verticales
CADB/T-HE 04 a 33



Modelos para montaje exterior
CADT-HE 45 a 100

Recuperadores de calor, con intercambiador de placas de aluminio tipo counterflow de alta eficiencia (hasta el 93%), certificado por EUROVENT, montados en cajas de acero galvanizado plastificado de color blanco, de doble pared con aislamiento interior termoacústico ininflamable (A1/M0) de fibra de lana mineral de 25 mm de espesor en modelos 04 a 33 y 47 mm en los modelos 45 a 100. Bocas de entrada y salida configurables, versiones para instalación horizontal y vertical.
Temperatura mínima de aire exterior -10°C. Para temperaturas inferiores es necesario utilizar baterías de precalentamiento ubicadas en la aspiración del aire exterior.

Aplicaciones

Locales comerciales, oficinas, hostelería, edificios públicos, escuelas.

CADB/T-HE D ECOWATT

Recuperadores de calor sin aporte adicional de calefacción.

CADB/T-HE DC ECOWATT

Recuperadores de calor con batería de agua caliente incorporada.

La válvula de regulación de 3 vías se suministra como accesorio (ver tabla de accesorios de esta serie).

CADB/T-HE DI ECOWATT

Recuperadores de calor con resistencia eléctrica de calefacción incorporada.

Ventiladores

Plug-fans con rodetes de álabes hacia atrás.

Motores

Modelos 04 a 33: Motores EC de alimentación monofásica 230V/I/50-60Hz, con protección electrónica integrada. IP44, Clase B.

Modelos 45 a 100: Motores EC de alimentación trifásica 400V/III/50-60Hz, con protección electrónica integrada. IP54, Clase B.

Filtros

- F7: Filtros F7 de baja pérdida para la aportación de aire.
- M5: Filtros M5 para la extracción de aire.
- Posibilidad de montar un segundo filtro en el interior del equipo (suministrado como accesorio).

Con la unidad se suministran dos presostatos DPS 2.30 con los que realizar el control de ensuciamiento de filtros.

Es posible complementar el recuperador con una gama específica de baterías de agua y expansión directa. También disponible el exclusivo módulo IAQ con alta eficiencia en la retención de contaminantes asociados al tráfico urbano (gases y materia particulada), proporcionando una calidad adecuada al aire aportado incluso con ambientes exteriores altamente contaminados (ODA-3).

Otros datos

La acometida eléctrica se realiza a cajas de bornes en las que se encuentran los conectores eléctricos independientes para ventiladores, by-pass y resistencias eléctricas (solamente versiones -DI). Alimentación del by-pass (1/230V 50Hz). Alimentación de las resistencias eléctricas (1/230V 50-60Hz) para los modelos CADB-HE-DI 04 a 16, trifásica (3/400V 50-60Hz) para los modelos CADT-HE-DI 21 a 100. Caudales nominales de 450 a 10.000 m³/h. Todos los modelos y versiones incluyen by-pass interno. Paneles laterales intercambiables que permiten múltiples combinaciones.



Recuperación de calor

Versiones

| | | | | |
|--|--|--|----------------------|----------------------|
| | | | | |
| | | | FILTRO EN APORTACIÓN | FILTRO EN EXTRACCIÓN |

| | | | | |
|--------------------------|------------------------|-------------------------------|-----------------------------------|---------------------------------|
| | | | | |
| CONFIGURACIÓN HORIZONTAL | CONFIGURACIÓN VERTICAL | SIN APORTE DE CALOR ADICIONAL | CON BATERÍA ELÉCTRICA INCORPORADA | CON BATERÍA DE AGUA INCORPORADA |

REFERENCIA

| | | | | | | | | | | | |
|---|---|---|---|---|----|---|---|----|----|---------|---|
| C | A | D | B | - | HE | D | I | 16 | LH | ECOWATT | |
| | | | | | 1 | | | 2 | 3 | 4 | 5 |

1 - Serie:

CADB-HE: Alimentación monofásica. Tanto de ventiladores como de batería eléctrica (en caso de existir).

CADT-HE: Alimentación trifásica tanto de ventiladores como de batería eléctrica (en caso de existir).

Excepción: Modelos CADT-HE-DI 21 a 33 motores monofásicos y batería eléctrica trifásica.

2 - Gama, según opciones de calefacción:

D: Gama sin aporte adicional de calefacción.

DC: Gama con batería de agua caliente incorporada.

DI: Gama con resistencia eléctrica de calefacción incorporada.

3 - Tamaño

4 - Tipo de configuración:

LH: Izquierda horizontal

RH: Derecha horizontal

LV: Izquierda vertical

RV: Derecha vertical

5 - ECOWATT: Ventiladores de alta eficiencia EC-Technology.

CARACTERÍSTICAS TÉCNICAS

Modelos D: sin aporte adicional de calefacción.

| | Unidad completa | | | Ventilador | | | | Peso (kg) |
|-----------------------|-------------------------------|---------------------------------|------------------------------|------------------------|---------------------------|---|---------------------------------------|-----------|
| | Diámetro conexiones aire (mm) | Caudal nominal a 150Pa*2 (m³/h) | Eficiencia recuperador*1 (%) | Alimentación eléctrica | Velocidad máxima (r.p.m.) | Potencia abs. máx. (kW) Cada ventilador | Intensidad máxima (A) Cada ventilador | |
| CADB-HE D 04 ECOWATT | 200 | 450 | 87 | 1/230V, 50Hz | 3700 | 0,17 | 1,0 | 137 |
| CADB-HE D 08 ECOWATT | 250 | 800 | 86,4 | 1/230V, 50Hz | 2650 | 0,26 | 1,3 | 173 |
| CADB-HE D 12 ECOWATT | 315 | 1.200 | 85,3 | 1/230V, 50Hz | 2550 | 0,54 | 1,6 | 180 |
| CADB-HE D 16 ECOWATT | 315 | 1.600 | 85,5 | 1/230V, 50Hz | 2845 | 0,54 | 2,0 | 225 |
| CADB-HE D 21 ECOWATT | 400 | 2.100 | 86,5 | 1/230V, 50Hz | 1580 | 0,56 | 2,2 | 323 |
| CADB-HE D 27 ECOWATT | 400 | 2.700 | 83,8 | 1/230V, 50Hz | 2450 | 0,91 | 3,6 | 360 |
| CADB-HE D 33 ECOWATT | 400 | 3.300 | 89,9 | 1/230V, 50Hz | 2200 | 1,1 | 4,6 | 410 |
| CADT-HE D 45 ECOWATT | 400x600 | 4.500 | 88,4 | 3+N/400V, 50Hz | 2200 | 2,21 | 3,0 | 577 |
| CADT-HE D 60 ECOWATT | 600x700 | 6.100 | 89 | 3+N/400V, 50Hz | 2200 | 2,21 | 3,0 | 710 |
| CADT-HE D 100 ECOWATT | 1100x610 | 10.000 | 88,9 | 3+N/400V, 50Hz | 2160 | 4,06 | 5,8 | 842 |

*1 Eficiencia húmeda referida a caudal nominal, condiciones exteriores [-5°C 80% RH] e interiores [20°C/50%RH].

*2 CADT-HE 45 caudal referido a 450Pa. CADT-HE 100 caudal referido a 300Pa.

Modelos DC: con batería de agua caliente incorporada.

| | Unidad completa | | | Ventilador | | | | Batería de agua caliente | | Peso (kg) |
|------------------------|-------------------------------|---------------------------------|------------------------------|------------------------|---------------------------|---|---------------------------------------|---|---|-----------|
| | Diámetro conexiones aire (mm) | Caudal nominal a 150Pa*2 (m³/h) | Eficiencia recuperador*1 (%) | Alimentación eléctrica | Velocidad máxima (r.p.m.) | Potencia abs. máx. (kW) Cada ventilador | Intensidad máxima (A) Cada ventilador | Potencia calorífica (kW) T agua 80/60°C | Potencia calorífica (kW) T agua 50/45°C | |
| CADB-HE DC 04 ECOWATT | 200 | 450 | 87 | 1/230V, 50Hz | 3700 | 0,17 | 1,0 | 2,7 | 1,6 | 139 |
| CADB-HE DC 08 ECOWATT | 250 | 800 | 86,4 | 1/230V, 50Hz | 2650 | 0,26 | 1,3 | 5,1 | 3,1 | 176 |
| CADB-HE DC 12 ECOWATT | 315 | 1.200 | 85,3 | 1/230V, 50Hz | 2550 | 0,54 | 1,6 | 7,1 | 4,3 | 183 |
| CADB-HE DC 16 ECOWATT | 315 | 1.600 | 85,5 | 1/230V, 50Hz | 2845 | 0,54 | 2,0 | 8,6 | 5,3 | 229 |
| CADB-HE DC 21 ECOWATT | 400 | 2.100 | 86,5 | 1/230V, 50Hz | 1580 | 0,56 | 2,2 | 12,6 | 7,8 | 328 |
| CADB-HE DC 27 ECOWATT | 400 | 2.700 | 83,8 | 1/230V, 50Hz | 2450 | 0,91 | 3,6 | 16,2 | 10,0 | 365 |
| CADB-HE DC 33 ECOWATT | 400 | 3.300 | 89,9 | 1/230V, 50Hz | 2200 | 1,1 | 4,6 | 18,2 | 11,1 | 416 |
| CADT-HE DC 45 ECOWATT | 400x600 | 4.500 | 88,4 | 3+N/400V, 50Hz | 2200 | 2,21 | 3,0 | 25,6 | 15,5 | 586 |
| CADT-HE DC 60 ECOWATT | 600x700 | 6.100 | 89 | 3+N/400V, 50Hz | 2200 | 2,21 | 3,0 | 34,7 | 21,1 | 722 |
| CADT-HE DC 100 ECOWATT | 1100x610 | 10.000 | 88,9 | 3+N/400V, 50Hz | 2160 | 4,06 | 5,8 | 58,9 | 35,4 | 862 |

*1 Eficiencia húmeda referida a caudal nominal, condiciones exteriores [-5°C 80% RH] e interiores [20°C/50%RH].

*2 CADT-HE 45 caudal referido a 450Pa. CADT-HE 100 caudal referido a 300Pa.

Modelos DI: con resistencia eléctrica de calefacción incorporada.

| | Unidad completa | | | Ventilador | | | | Batería eléctrica | | | Peso (kg) |
|------------------------|-------------------------------|---------------------------------|------------------------------|------------------------|---------------------------|---|---------------------------------------|------------------------|---------------|-----------------------|-----------|
| | Diámetro conexiones aire (mm) | Caudal nominal a 150Pa*2 (m³/h) | Eficiencia recuperador*1 (%) | Alimentación eléctrica | Velocidad máxima (r.p.m.) | Potencia abs. máx. (kW) Cada ventilador | Intensidad máxima (A) Cada ventilador | Alimentación eléctrica | Potencia (kW) | Intensidad máxima (A) | |
| CADB-HE DI 04 ECOWATT | 200 | 450 | 87 | 1/230V, 50Hz | 3700 | 0,17 | 1,0 | 1/230V, 50Hz | 1 | 4,5 | 138 |
| CADB-HE DI 08 ECOWATT | 250 | 800 | 86,4 | 1/230V, 50Hz | 2650 | 0,26 | 1,3 | 1/230V, 50Hz | 2 | 9,1 | 175 |
| CADB-HE DI 12 ECOWATT | 315 | 1.200 | 85,3 | 1/230V, 50Hz | 2550 | 0,54 | 1,7 | 1/230V, 50Hz | 3 | 11,4 | 182 |
| CADB-HE DI 16 ECOWATT | 315 | 1.600 | 85,5 | 1/230V, 50Hz | 2845 | 0,54 | 2,0 | 1/230V, 50Hz | 3,5 | 15,9 | 227 |
| CADT-HE DI 21 ECOWATT | 400 | 2.100 | 86,5 | 1/230V, 50Hz | 1580 | 0,56 | 2,2 | 3/400V, 50Hz | 6 | 9,1 | 326 |
| CADT-HE DI 27 ECOWATT | 400 | 2.700 | 83,8 | 1/230V, 50Hz | 2450 | 0,91 | 3,6 | 3/400V, 50Hz | 6 | 9,1 | 363 |
| CADT-HE DI 33 ECOWATT | 400 | 3.300 | 89,9 | 1/230V, 50Hz | 2200 | 1,1 | 4,6 | 3/400V, 50Hz | 7,5 | 11,4 | 414 |
| CADT-HE DI 45 ECOWATT | 400x600 | 4.500 | 88,4 | 3+N/400V, 50Hz | 2200 | 2,21 | 3,0 | 3/400V, 50Hz | 9 | 13,7 | 582 |
| CADT-HE DI 60 ECOWATT | 600x700 | 6.100 | 89 | 3+N/400V, 50Hz | 2200 | 2,21 | 3,0 | 3/400V, 50Hz | 12 | 18,2 | 717 |
| CADT-HE DI 100 ECOWATT | 1100x610 | 10.000 | 88,9 | 3+N/400V, 50Hz | 2160 | 4,06 | 5,8 | 3/400V, 50Hz | 24 | 36,4 | 854 |

*1 Eficiencia húmeda referida a caudal nominal, condiciones exteriores [-5°C 80% RH] e interiores [20°C/50%RH].

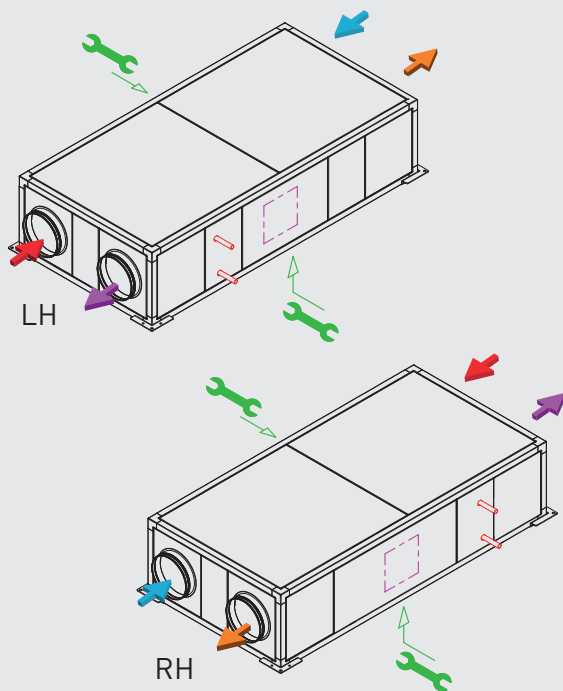
*2 CADT-HE 45 caudal referido a 450Pa. CADT-HE 100 caudal referido a 300Pa.

CONFIGURACIONES ESTÁNDAR CADB/T-HE D/DI/DC ECOWATT

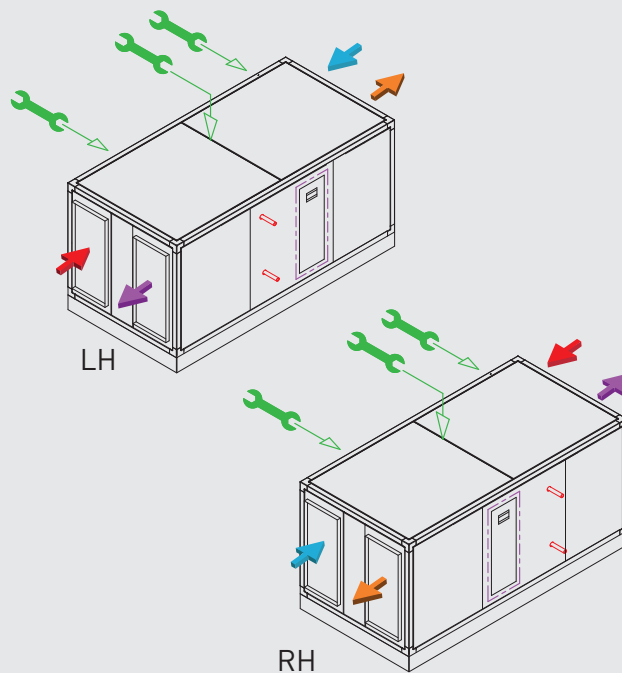
A partir de estas configuraciones hay múltiples variables que pueden ser realizadas por parte del profesional instalador de una forma rápida y sencilla.

- TOMA AIRE EXTERIOR
- IMPULSIÓN AIRE NUEVO
- EXTRACCIÓN AIRE INTERIOR
- EXPULSIÓN AIRE INTERIOR
- REGISTRO MANTENIMIENTO
- POSICION CAJA BORNES / ARMARIO ELÉCTRICO
- CONEXIONES DE AGUA (VERSIONES -DC)

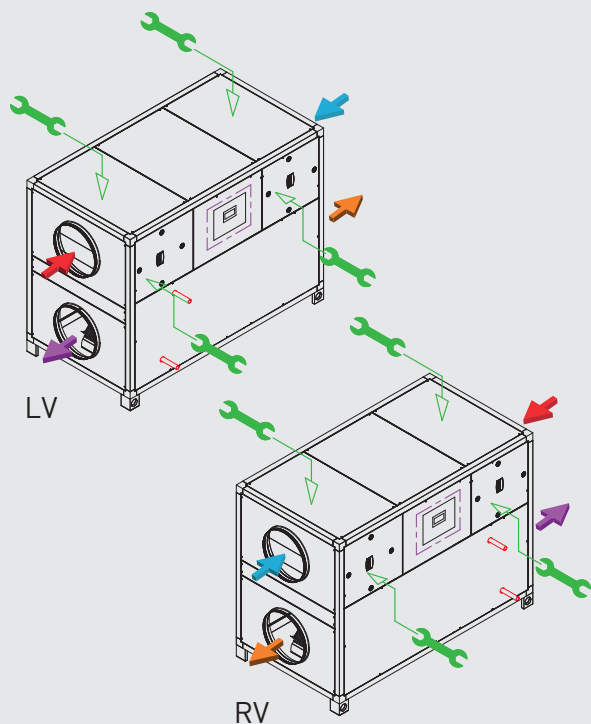
CADB/T-HE 04 a 33
Versiones horizontales (falso techo)



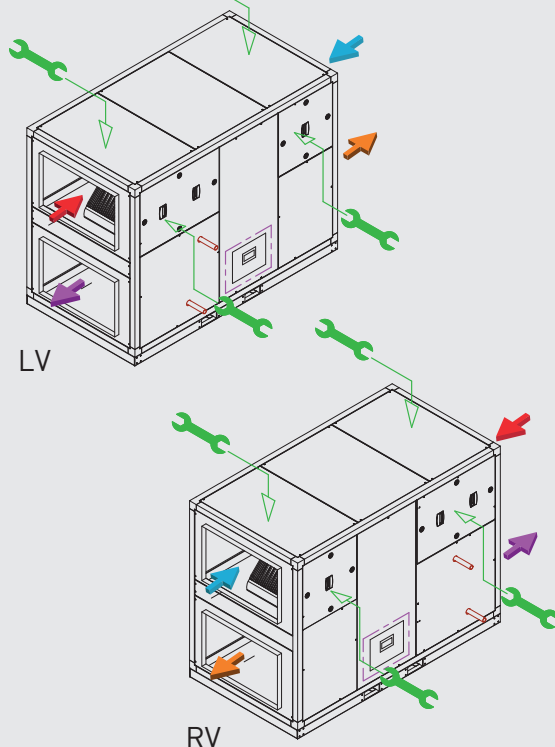
CADT-HE 45 y 60
Versiones horizontales



CADB/T-HE 04 a 33
Versiones verticales



CADT-HE 45 a 100
Versiones verticales



CADB/T-HE ECOWATT HORIZONTALES SIN CONTROL

Modelos D - sin calefacción incorporada

| | LH | RH | Grupo producto | Precio €/u. |
|----------------------|------------|------------|----------------|------------------|
| CADB-HE-D 04 ECOWATT | 5153787500 | - | E08 | 4.821,66 |
| CADB-HE-D 08 ECOWATT | 5153787600 | - | E08 | 5.852,77 |
| CADB-HE-D 12 ECOWATT | 5153819200 | - | E08 | 7.237,56 |
| CADB-HE-D 16 ECOWATT | 5153787700 | - | E08 | 7.980,61 |
| CADB-HE-D 21 ECOWATT | 5153787800 | - | E08 | 10.378,83 |
| CADB-HE-D 27 ECOWATT | 5153852600 | - | E08 | 11.767,47 |
| CADB-HE-D 33 ECOWATT | 5153148100 | - | E08 | 12.844,30 |
| CADT-HE-D 45 ECOWATT | 5153833300 | 5153833500 | E08 | 17.167,92 |
| CADT-HE-D 60 ECOWATT | 5153833400 | 5153833600 | E08 | 19.658,13 |

Modelos DC - con batería de agua caliente incorporada

| | LH | RH | Grupo producto | Precio €/u. |
|-----------------------|------------|------------|----------------|------------------|
| CADB-HE-DC 04 ECOWATT | 5153787900 | 5153788300 | E08 | 5.271,30 |
| CADB-HE-DC 08 ECOWATT | 5153788000 | 5153788400 | E08 | 6.356,68 |
| CADB-HE-DC 12 ECOWATT | 5153813700 | 5153813800 | E08 | 7.754,65 |
| CADB-HE-DC 16 ECOWATT | 5153788100 | 5153788500 | E08 | 8.582,19 |
| CADB-HE-DC 21 ECOWATT | 5153788200 | 5153788600 | E08 | 11.122,03 |
| CADB-HE-DC 27 ECOWATT | 5153852700 | 5153852800 | E08 | 12.217,45 |
| CADB-HE-DC 33 ECOWATT | 5153148200 | 5153148300 | E08 | 13.646,52 |
| CADT-HE-DC 45 ECOWATT | 5153833700 | 5153833900 | E08 | 17.974,75 |
| CADT-HE-DC 60 ECOWATT | 5153833800 | 5153834000 | E08 | 20.700,04 |

Modelos DI - con calefacción eléctrica incorporada

| | LH | RH | Grupo producto | Precio €/u. |
|-----------------------|------------|------------|----------------|------------------|
| CADB-HE-DI 04 ECOWATT | 5153788700 | 5153789100 | E08 | 5.452,05 |
| CADB-HE-DI 08 ECOWATT | 5153788800 | 5153789200 | E08 | 6.506,57 |
| CADB-HE-DI 12 ECOWATT | 5153813900 | 5153814000 | E08 | 7.937,02 |
| CADB-HE-DI 16 ECOWATT | 5153788900 | 5153789300 | E08 | 8.769,33 |
| CADT-HE-DI 21 ECOWATT | 5153789000 | 5153789400 | E08 | 11.425,10 |
| CADT-HE-DI 27 ECOWATT | 5153852900 | 5153853000 | E08 | 12.520,53 |
| CADT-HE-DI 33 ECOWATT | 5153148400 | 5153148500 | E08 | 13.950,24 |
| CADT-HE-DI 45 ECOWATT | 5153834100 | 5153834300 | E08 | 18.688,06 |
| CADT-HE-DI 60 ECOWATT | 5153834200 | 5153834400 | E08 | 21.294,58 |

CADB/T-HE ECOWATT VERTICALES SIN CONTROL

Modelos D - sin calefacción incorporada

| | LV | RV | Grupo producto | Precio €/u. |
|-----------------------|------------|------------|----------------|------------------|
| CADB-HE-D 04 ECOWATT | 5153794300 | 5153820400 | E08 | 4.821,66 |
| CADB-HE-D 08 ECOWATT | 5153794400 | 5153820500 | E08 | 5.852,77 |
| CADB-HE-D 12 ECOWATT | 5153817000 | 5153820600 | E08 | 7.237,56 |
| CADB-HE-D 16 ECOWATT | 5153794500 | 5153820700 | E08 | 7.980,61 |
| CADB-HE-D 21 ECOWATT | 5153794600 | 5153820800 | E08 | 10.378,83 |
| CADB-HE-D 27 ECOWATT | 5153853100 | 5153853200 | E08 | 11.767,47 |
| CADB-HE-D 33 ECOWATT | 5153148600 | 5153148700 | E08 | 12.844,30 |
| CADT-HE-D 45 ECOWATT | 5153835700 | 5153835900 | E08 | 17.167,92 |
| CADT-HE-D 60 ECOWATT | 5153835800 | 5153836000 | E08 | 19.658,13 |
| CADT-HE-D 100 ECOWATT | 5153854900 | 5153855000 | E08 | 26.074,85 |

Modelos DC - con batería de agua caliente incorporada

| | LV | RV | Grupo producto | Precio €/u. |
|------------------------|------------|------------|----------------|------------------|
| CADB-HE-DC 04 ECOWATT | 5153794700 | 5153795100 | E08 | 5.271,30 |
| CADB-HE-DC 08 ECOWATT | 5153794800 | 5153795200 | E08 | 6.356,68 |
| CADB-HE-DC 12 ECOWATT | 5153817100 | 5153817200 | E08 | 7.754,65 |
| CADB-HE-DC 16 ECOWATT | 5153794900 | 5153795300 | E08 | 8.582,19 |
| CADB-HE-DC 21 ECOWATT | 5153795000 | 5153795400 | E08 | 11.122,03 |
| CADB-HE-DC 27 ECOWATT | 5153853300 | 5153853400 | E08 | 12.217,45 |
| CADB-HE-DC 33 ECOWATT | 5153148800 | 5153148900 | E08 | 13.646,52 |
| CADT-HE-DC 45 ECOWATT | 5153836100 | 5153836300 | E08 | 17.974,75 |
| CADT-HE-DC 60 ECOWATT | 5153836200 | 5153836400 | E08 | 20.700,04 |
| CADT-HE-DC 100 ECOWATT | 5153855100 | 5153855200 | E08 | 27.215,96 |

Modelos DI - con calefacción eléctrica incorporada

| | LV | RV | Grupo producto | Precio €/u. |
|------------------------|------------|------------|----------------|------------------|
| CADB-HE-DI 04 ECOWATT | 5153795500 | 5153795900 | E08 | 5.452,05 |
| CADB-HE-DI 08 ECOWATT | 5153795600 | 5153796000 | E08 | 6.506,57 |
| CADB-HE-DI 12 ECOWATT | 5153817300 | 5153817400 | E08 | 7.937,02 |
| CADB-HE-DI 16 ECOWATT | 5153795700 | 5153796100 | E08 | 8.769,33 |
| CADT-HE-DI 21 ECOWATT | 5153795800 | 5153796200 | E08 | 11.425,10 |
| CADT-HE-DI 27 ECOWATT | 5153853500 | 5153853600 | E08 | 12.520,53 |
| CADT-HE-DI 33 ECOWATT | 5153149000 | 5153149100 | E08 | 13.950,24 |
| CADT-HE-DI 45 ECOWATT | 5153836500 | 5153836700 | E08 | 18.688,06 |
| CADT-HE-DI 60 ECOWATT | 5153836600 | 5153836800 | E08 | 21.294,58 |
| CADT-HE-DI 100 ECOWATT | 5153855300 | 5153855400 | E08 | 28.456,82 |

ACCESORIOS ESPECÍFICOS PARA LA SERIE CADB/T-HE-ECOWATT Y CAD-COMPACT



CONTROL CAD-REG

Accesorio para el control de recuperadores CADB/T-HE ECOWATT y CAD-COMPACT sin postcalefacción/postenfriamiento.

| Código | Modelo | Grupo producto | Precio €/u. |
|------------|-----------------|----------------|---------------|
| 5401643100 | CONTROL CAD-REG | E80 | 680,82 |



| Código | Modelo | Grupo producto | Precio €/u. |
|------------|------------------|----------------|---------------|
| | Controlador | | |
| 5401627800 | CONTROL AERO-REG | E80 | 789,16 |



| Código | Modelo | Grupo producto | Precio €/u. |
|------------|---|----------------|---------------|
| | Termostato control by-pass (incluye sondas) | | |
| 5416827100 | FC-REG | E80 | 330,92 |



Modelo

Termostato regulador válvula de 3 vías

WCT

(Ver códigos y precios en Accesorios Generales)

Series CADB/T-HE PRO-REG



Modelos falso techo
CADB/T-HE 04 a 33



Modelos verticales
CADB/T-HE 04 a 33



Modelos para montaje exterior
CADT-HE 45 a 100

Recuperadores de calor, con intercambiador de placas de aluminio tipo counterflow de alta eficiencia (hasta el 93%), certificado por EUROVENT, montados en cajas de acero galvanizado plastificado de color blanco, de doble pared con aislamiento interior termoacústico ininflamable (A1/M0) de lana mineral de 25 mm de espesor en los modelos 04 a 33 y 47 mm en los modelos 45 a 100. Bocas de entrada y salida configurables, versiones para instalación horizontal y vertical. Temperatura mínima de aire exterior -10°C. Para temperaturas inferiores es necesario utilizar baterías de precalentamiento ubicadas en la aspiración del aire exterior.

Aplicaciones

Locales comerciales, oficinas, hostelería, edificios públicos, escuelas.

CADB/T-HE D PRO-REG

Recuperadores de calor sin aporte adicional de calefacción.

CADB/T-HE DC PRO-REG

Recuperadores de calor con batería de agua caliente incorporada.

La válvula de regulación de 3 vías se suministra como accesorio (ver tabla de accesorios de esta serie).

CADB/T-HE DI PRO-REG

Recuperadores de calor con resistencia eléctrica de calefacción incorporada.

Motores

Modelos 04 a 33: Motores EC de alimentación monofásica, con protección electrónica integrada, IP44, Clase B.

Modelos 45 a 100: Motores EC de alimentación trifásica, con protección electrónica integrada, IP54, Clase B.

Ventiladores

Plug-fans con rodetes de álabes hacia atrás.

Filtros

- F7: Filtros F7 de baja pérdida para la aportación de aire.
- M5: Filtros M5 para la extracción de aire.
- Posibilidad de montar un segundo filtro en el interior del equipo (suministrado como accesorio).

Es posible complementar el recuperador con un gama específica de baterías de agua y expansión directa. También disponible el exclusivo módulo IAQ con con alta eficiencia en la retención de contaminantes asociados al tráfico urbano (gases y materia particulada),

proporcionando una calidad adecuada al aire aportado incluso con ambientes exteriores altamente contaminados (ODA-3).

Control

Incluye un control de funcionamiento integral, integrado en la unidad y cableado a todos los componentes (ventiladores, by-pass, detectores de ensuciamiento de filtros, sondas de temperatura, etc.).

Permite el control manual o automático de los ventiladores con visualización de los caudales de impulsión y extracción (transmisores de caudal incluidos): caudal variable (VAV), presión constante (COP) o caudal constante (CAV). [En función del modo de trabajo pueden ser necesarios accesorios].

También permite realizar la gestión de postcalentamiento (Versiones DI y DC). Integra las sondas de temperatura de aire y agua.

Existen tres posibles modos automáticos de control de los ventiladores:

VAV - Volumen de aire variable

La velocidad de los ventiladores puede ser ajustada mediante una señal analógica 0-10V procedente del mando remoto incluido o de un sensor de CO₂ (accesorio).

CAV - Caudal constante

La velocidad de los ventiladores es regulada para garantizar un caudal de aire constante, independientemente del grado de ensuciamiento de los filtros. En este modo no es necesario ningún accesorio.

COP - Presión constante

La velocidad de los ventiladores es regulada para mantener una presión constante en la red de conductos. Es necesario un sensor de presión TDP-S, como accesorio externo.

Otros datos

Modelos monofásicos (CADB-HE PRO-REG) y trifásicos (CADT-HE PRO-REG).

Caudales nominales de 450 a 10.000 m³/h.

Todos los modelos y versiones incluyen by-pass interno. Paneles laterales intercambiables que permiten múltiples orientaciones de las entradas y salidas de aire.



Recuperación de calor

Versiones



FILTRO EN APORTACIÓN



FILTRO EN EXTRACCIÓN



CONFIGURACIÓN HORIZONTAL



CONFIGURACIÓN VERTICAL



SIN APORTE DE CALOR ADICIONAL



CON BATERÍA ELÉCTRICA INCORPORADA



CON BATERÍA DE AGUA INCORPORADA

REFERENCIA

| | | | | | | | | | | | |
|----------|----------|----------|----------|---|----------|----------|----------|----------|-----------|-----------|----------------|
| C | A | D | B | - | H | E | D | I | 16 | LH | PRO-REG |
| 1 | | | | | | 2 | | 3 | 4 | 5 | |

1 - Serie:

CADB-HE: Alimentación monofásica.
CADT-HE: Alimentación trifásica.

2 - Gama, según opciones de calefacción:

D: Gama sin aporte adicional de calefacción.
DC: Gama con batería de agua caliente incorporada.
DI: Gama con resistencia eléctrica de calefacción incorporada.

3 - Tamaño

4 - Tipo de configuración:

LH: Izquierda horizontal
RH: Derecha horizontal
LV: Izquierda vertical
RV: Derecha vertical

5 - PRO-REG: Control Plug & Play PRO-REG incluido. Ventiladores de alta eficiencia EC-Technology.

CARACTERÍSTICAS TÉCNICAS

Modelos D: sin aporte adicional de calefacción.

| | Unidad completa | | | | | | Ventilador | | Peso (kg) |
|-----------------------|-------------------------------|---------------------------------|------------------------------|------------------------|---------------------|-----------------------|---------------------------|---------------------------------------|-----------|
| | Diámetro conexiones aire (mm) | Caudal nominal a 150Pa*2 (m³/h) | Eficiencia recuperador*1 (%) | Alimentación eléctrica | P. abs. máxima (kW) | Intensidad máxima (A) | Velocidad máxima (r.p.m.) | Intensidad máxima (A) Cada ventilador | |
| CADB-HE D 04 PRO-REG | 200 | 450 | 87 | 1/230V, 50Hz | 0,35 | 2,2 | 3700 | 1,0 | 147 |
| CADB-HE D 08 PRO-REG | 250 | 800 | 86,4 | 1/230V, 50Hz | 0,53 | 2,9 | 2650 | 1,3 | 183 |
| CADB-HE D 12 PRO-REG | 315 | 1.200 | 85,3 | 1/230V, 50Hz | 1,10 | 3,5 | 2550 | 1,6 | 190 |
| CADB-HE D 16 PRO-REG | 315 | 1.600 | 85,5 | 1/230V, 50Hz | 1,10 | 4,3 | 2845 | 2,0 | 235 |
| CADB-HE D 21 PRO-REG | 400 | 2.100 | 86,5 | 1/230V, 50Hz | 1,13 | 4,7 | 1580 | 2,2 | 333 |
| CADB-HE D 27 PRO-REG | 400 | 2.700 | 83,8 | 1/230V, 50Hz | 1,84 | 7,5 | 2450 | 3,6 | 367 |
| CADB-HE D 33 PRO-REG | 400 | 3.300 | 89,9 | 1/230V, 50Hz | 2,32 | 9,6 | 2200 | 4,6 | 420 |
| CADT-HE D 45 PRO-REG | 400x600 | 4.500 | 88,4 | 3+N/400V, 50Hz | 4,43 | 6,3 | 2200 | 3,0 | 597 |
| CADT-HE D 60 PRO-REG | 600x700 | 6.100 | 89 | 3+N/400V, 50Hz | 4,43 | 6,3 | 2200 | 3,0 | 730 |
| CADT-HE D 100 PRO-REG | 1100x610 | 10.000 | 88,9 | 3+N/400V, 50Hz | 8,13 | 11,9 | 2160 | 5,8 | 862 |

*1 Eficiencia húmeda referida a caudal nominal, condiciones exteriores [-5°C 80% RH] e interiores [20°C/50%RH].

*2 CADT-HE 45 caudal referido a 450Pa. CADT-HE 100 caudal referido a 300Pa.

Modelos DC: con batería de agua caliente incorporada.

| | Unidad completa | | | | | | Ventilador | | Batería de agua caliente | | Peso (kg) |
|------------------------|-------------------------------|---------------------------------|------------------------------|------------------------|---------------------|-----------------------|--------------------|---------------------------------------|---|---|-----------|
| | Diámetro conexiones aire (mm) | Caudal nominal a 150Pa*2 (m³/h) | Eficiencia recuperador*1 (%) | Alimentación eléctrica | P. abs. máxima (kW) | Intensidad máxima (A) | Vel. máx. (r.p.m.) | Intensidad máxima (A) Cada ventilador | Potencia calorífica (kW) T agua 80/60°C | Potencia calorífica (kW) T agua 50/45°C | |
| CADB-HE DC 04 PRO-REG | 200 | 450 | 87 | 1/230V, 50Hz | 0,35 | 2,2 | 3700 | 1,0 | 2,7 | 1,6 | 149 |
| CADB-HE DC 08 PRO-REG | 250 | 800 | 86,4 | 1/230V, 50Hz | 0,53 | 2,9 | 2650 | 1,3 | 5,1 | 3,1 | 186 |
| CADB-HE DC 12 PRO-REG | 315 | 1.200 | 85,3 | 1/230V, 50Hz | 1,10 | 3,5 | 2550 | 1,6 | 7,1 | 4,3 | 193 |
| CADB-HE DC 16 PRO-REG | 315 | 1.600 | 85,5 | 1/230V, 50Hz | 1,10 | 4,3 | 2845 | 2,0 | 8,6 | 5,3 | 239 |
| CADB-HE DC 21 PRO-REG | 400 | 2.100 | 86,5 | 1/230V, 50Hz | 1,13 | 4,7 | 1580 | 2,2 | 12,6 | 7,8 | 338 |
| CADB-HE DC 27 PRO-REG | 400 | 2.700 | 83,8 | 1/230V, 50Hz | 1,84 | 7,5 | 2450 | 3,6 | 16,2 | 10,0 | 375 |
| CADB-HE DC 33 PRO-REG | 400 | 3.300 | 89,9 | 1/230V, 50Hz | 2,32 | 9,6 | 2200 | 4,6 | 18,2 | 11,1 | 427 |
| CADT-HE DC 45 PRO-REG | 400x600 | 4.500 | 88,4 | 3+N/400V, 50Hz | 4,43 | 6,3 | 2200 | 3,0 | 25,6 | 15,5 | 606 |
| CADT-HE DC 60 PRO-REG | 600x700 | 6.100 | 89 | 3+N/400V, 50Hz | 4,43 | 6,3 | 2200 | 3,0 | 34,7 | 21,1 | 742 |
| CADT-HE DC 100 PRO-REG | 1100x610 | 10.000 | 88,9 | 3+N/400V, 50Hz | 8,13 | 11,9 | 2160 | 5,8 | 58,9 | 35,4 | 882 |

*1 Eficiencia húmeda referida a caudal nominal, condiciones exteriores [-5°C 80% RH] e interiores [20°C/50%RH].

*2 CADT-HE 45 caudal referido a 450Pa. CADT-HE 100 caudal referido a 300Pa.

Modelos DI: con resistencia eléctrica de calefacción incorporada.

| | Unidad completa | | | | | | Ventilador | | Batería eléctrica | | Peso (kg) |
|------------------------|-------------------------------|---------------------------------|------------------------------|------------------------|---------------------|-----------------------|--------------------|---------------------------------------|-------------------|-----------------------|-----------|
| | Diámetro conexiones aire (mm) | Caudal nominal a 150Pa*2 (m³/h) | Eficiencia recuperador*1 (%) | Alimentación eléctrica | P. abs. máxima (kW) | Intensidad máxima (A) | Vel. máx. (r.p.m.) | Intensidad máxima (A) Cada ventilador | Potencia (kW) | Intensidad máxima (A) | |
| CADB-HE DI 04 PRO-REG | 200 | 450 | 87 | 1/230V, 50Hz | 1,3 | 6,7 | 3700 | 1,0 | 1 | 4,5 | 148 |
| CADB-HE DI 08 PRO-REG | 250 | 800 | 86,4 | 1/230V, 50Hz | 2,5 | 12,0 | 2650 | 1,3 | 2 | 9,1 | 185 |
| CADB-HE DI 12 PRO-REG | 315 | 1.200 | 85,3 | 1/230V, 50Hz | 4,1 | 14,9 | 2550 | 1,6 | 3 | 11,4 | 192 |
| CADB-HE DI 16 PRO-REG | 315 | 1.600 | 85,5 | 1/230V, 50Hz | 4,6 | 20,2 | 2845 | 2,0 | 3,5 | 15,9 | 237 |
| CADT-HE DI 21 PRO-REG | 400 | 2.100 | 86,5 | 3+N/400V, 50Hz | 7,1 | 13,8 | 1580 | 2,2 | 6 | 9,11 | 336 |
| CADT-HE DI 27 PRO-REG | 400 | 2.700 | 83,8 | 3+N/400V, 50Hz | 7,8 | 16,6 | 2450 | 3,6 | 6 | 9,1 | 373 |
| CADT-HE DI 33 PRO-REG | 400 | 3.300 | 89,9 | 3+N/400V, 50Hz | 9,8 | 21,0 | 2200 | 4,6 | 7,5 | 11,4 | 424 |
| CADT-HE DI 45 PRO-REG | 400x600 | 4.500 | 88,4 | 3+N/400V, 50Hz | 13,4 | 20,0 | 2200 | 3,0 | 9 | 13,7 | 602 |
| CADT-HE DI 60 PRO-REG | 600x700 | 6.100 | 89 | 3+N/400V, 50Hz | 16,4 | 24,5 | 2200 | 3,0 | 12 | 18,2 | 737 |
| CADT-HE DI 100 PRO-REG | 1100x610 | 10.000 | 88,9 | 3+N/400V, 50Hz | 32,13 | 48,3 | 2160 | 5,8 | 24 | 36,4 | 874 |

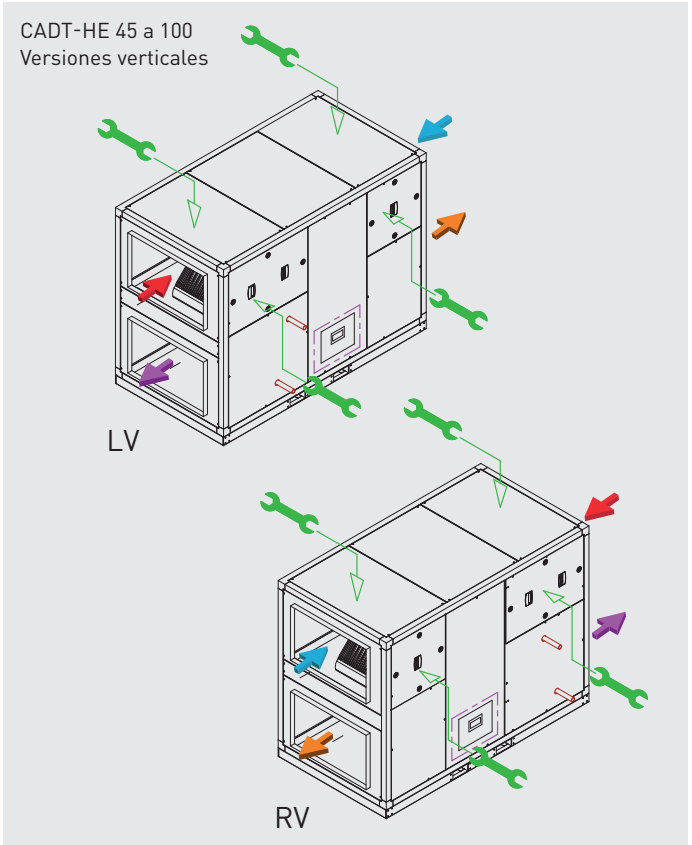
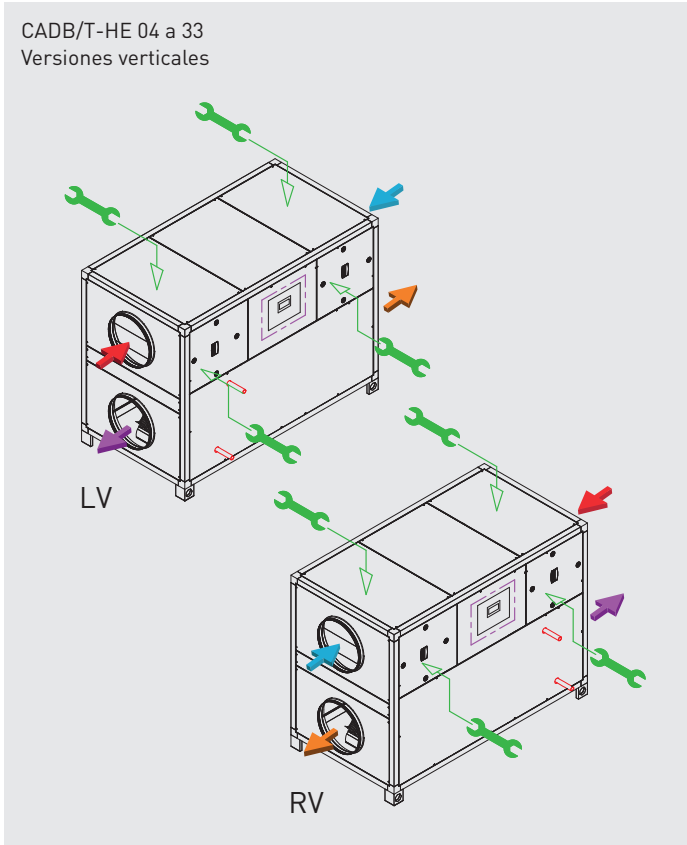
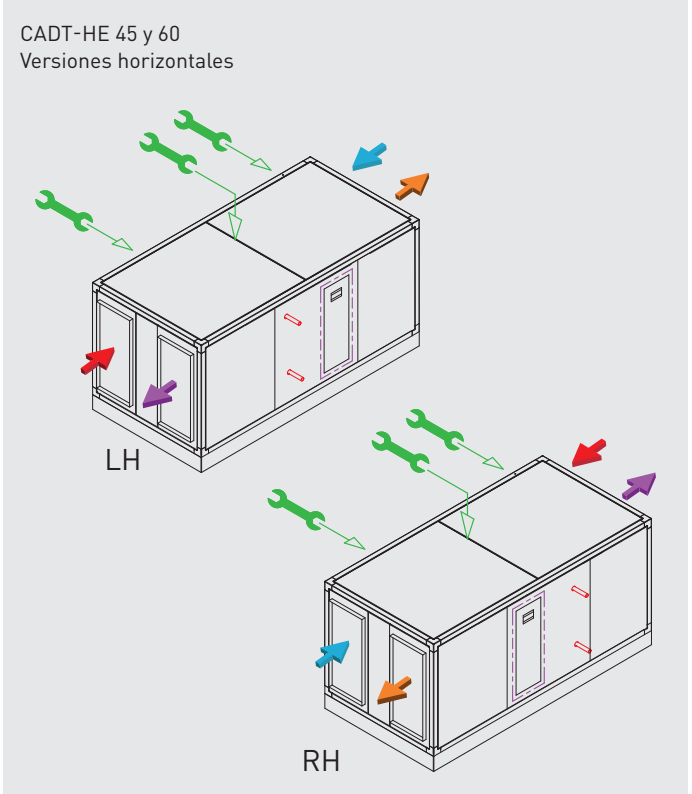
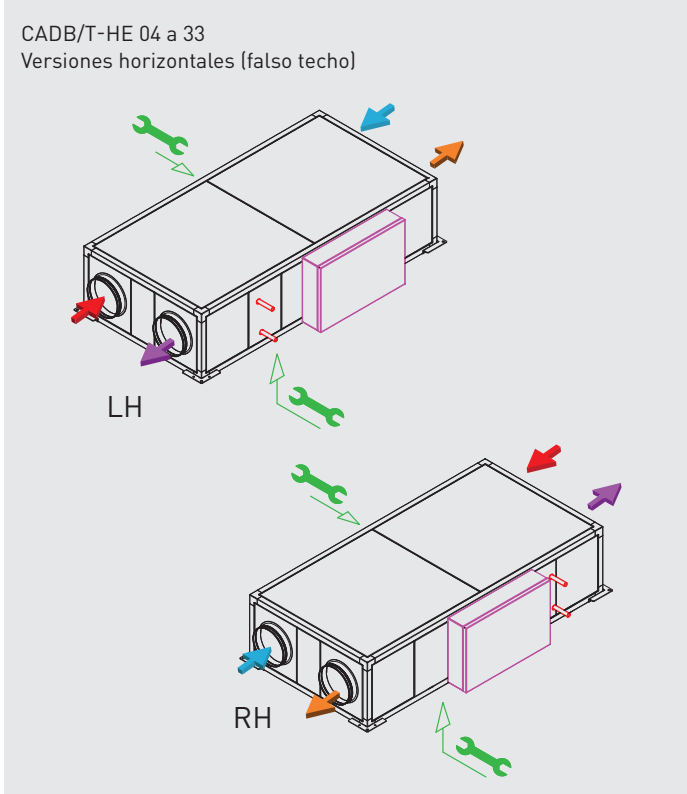
*1 Eficiencia húmeda referida a caudal nominal, condiciones exteriores [-5°C 80% RH] e interiores [20°C/50%RH].

*2 CADT-HE 45 caudal referido a 450Pa. CADT-HE 100 caudal referido a 300Pa.

CONFIGURACIONES ESTÁNDAR CADB/T-HE D/DI/DC PRO-REG

A partir de estas configuraciones hay múltiples variables que pueden ser realizadas por parte del profesional instalador de una forma rápida y sencilla.

- | | | | |
|--|--------------------------|--|------------------------------------|
| | TOMA AIRE EXTERIOR | | REGISTRO MANTENIMIENTO |
| | IMPULSIÓN AIRE NUEVO | | POSICION ARMARIO CONTROL |
| | EXTRACCIÓN AIRE INTERIOR | | CONEXIONES DE AGUA (VERSIONES -DC) |
| | EXPULSIÓN AIRE INTERIOR | | |



CADB/T-HE PRO-REG HORIZONTALES CON CONTROL

Modelos D - sin calefacción incorporada

| | LH | RH | Grupo producto | Precio €/u. |
|----------------------|------------|------------|----------------|------------------|
| CADB-HE-D 04 PRO-REG | 5153821100 | 5153821900 | E08 | 8.265,88 |
| CADB-HE-D 08 PRO-REG | 5153821200 | 5153822000 | E08 | 9.251,48 |
| CADB-HE-D 12 PRO-REG | 5153821300 | 5153822100 | E08 | 11.012,15 |
| CADB-HE-D 16 PRO-REG | 5153821400 | 5153822200 | E08 | 11.547,74 |
| CADB-HE-D 21 PRO-REG | 5153821500 | 5153822300 | E08 | 14.523,36 |
| CADB-HE-D 27 PRO-REG | 5153853700 | 5153853800 | E08 | 15.342,62 |
| CADB-HE-D 33 PRO-REG | 5153149200 | 5153149300 | E08 | 16.244,80 |
| CADT-HE-D 45 PRO-REG | 5153838100 | 5153838300 | E08 | 21.390,04 |
| CADT-HE-D 60 PRO-REG | 5153838200 | 5153838400 | E08 | 23.998,85 |

Modelos DC - con batería de agua caliente incorporada

| | LH | RH | Grupo producto | Precio €/u. |
|-----------------------|------------|------------|----------------|------------------|
| CADB-HE-DC 04 PRO-REG | 5153822700 | 5153823500 | E08 | 8.695,67 |
| CADB-HE-DC 08 PRO-REG | 5153822800 | 5153823600 | E08 | 9.733,20 |
| CADB-HE-DC 12 PRO-REG | 5153822900 | 5153823700 | E08 | 11.490,04 |
| CADB-HE-DC 16 PRO-REG | 5153823000 | 5153823800 | E08 | 12.120,69 |
| CADB-HE-DC 21 PRO-REG | 5153823100 | 5153823900 | E08 | 15.266,56 |
| CADB-HE-DC 27 PRO-REG | 5153853900 | 5153854000 | E08 | 16.085,84 |
| CADB-HE-DC 33 PRO-REG | 5153149400 | 5153149500 | E08 | 17.070,49 |
| CADT-HE-DC 45 PRO-REG | 5153838500 | 5153838700 | E08 | 22.263,56 |
| CADT-HE-DC 60 PRO-REG | 5153838600 | 5153838800 | E08 | 25.118,62 |

Modelos DI - con calefacción eléctrica incorporada

| | LH | RH | Grupo producto | Precio €/u. |
|-----------------------|------------|------------|----------------|------------------|
| CADB-HE-DI 04 PRO-REG | 5153824300 | 5153825100 | E08 | 9.032,20 |
| CADB-HE-DI 08 PRO-REG | 5153824400 | 5153825200 | E08 | 10.040,19 |
| CADB-HE-DI 12 PRO-REG | 5153824500 | 5153825300 | E08 | 11.967,30 |
| CADB-HE-DI 16 PRO-REG | 5153824600 | 5153825400 | E08 | 12.829,12 |
| CADT-HE-DI 21 PRO-REG | 5153824700 | 5153825500 | E08 | 16.126,35 |
| CADT-HE-DI 27 PRO-REG | 5153854100 | 5153854200 | E08 | 16.945,62 |
| CADT-HE-DI 33 PRO-REG | 5153149600 | 5153149700 | E08 | 17.955,18 |
| CADT-HE-DI 45 PRO-REG | 5153838900 | 5153839100 | E08 | 23.132,27 |
| CADT-HE-DI 60 PRO-REG | 5153839000 | 5153839200 | E08 | 26.003,87 |

CADB/T-HE PRO-REG VERTICALES CON CONTROL

Modelos D -sin calefacción incorporada

| | LV | RV | Grupo producto | Precio €/u. |
|-----------------------|------------|------------|----------------|------------------|
| CADB-HE-D 04 PRO-REG | 5153825900 | 5153826700 | E08 | 8.265,88 |
| CADB-HE-D 08 PRO-REG | 5153826000 | 5153826800 | E08 | 9.251,48 |
| CADB-HE-D 12 PRO-REG | 5153826100 | 5153826900 | E08 | 11.012,15 |
| CADB-HE-D 16 PRO-REG | 5153826200 | 5153827000 | E08 | 11.547,74 |
| CADB-HE-D 21 PRO-REG | 5153826300 | 5153827100 | E08 | 14.523,36 |
| CADB-HE-D 27 PRO-REG | 5153854300 | 5153854400 | E08 | 15.342,62 |
| CADB-HE-D 33 PRO-REG | 5153149800 | 5153149900 | E08 | 16.244,80 |
| CADT-HE-D 45 PRO-REG | 5153839300 | 5153839500 | E08 | 21.390,04 |
| CADT-HE-D 60 PRO-REG | 5153839400 | 5153839600 | E08 | 23.998,85 |
| CADT-HE-D 100 PRO-REG | 5153855500 | 5153855600 | E08 | 28.972,70 |

Modelos DC - con batería de agua caliente incorporada

| | LV | RV | Grupo producto | Precio €/u. |
|------------------------|------------|------------|----------------|------------------|
| CADB-HE-DC 04 PRO-REG | 5153827500 | 5153828300 | E08 | 8.695,67 |
| CADB-HE-DC 08 PRO-REG | 5153827600 | 5153828400 | E08 | 9.733,20 |
| CADB-HE-DC 12 PRO-REG | 5153827700 | 5153828500 | E08 | 11.490,04 |
| CADB-HE-DC 16 PRO-REG | 5153827800 | 5153828600 | E08 | 12.120,69 |
| CADB-HE-DC 21 PRO-REG | 5153827900 | 5153828700 | E08 | 15.266,56 |
| CADB-HE-DC 27 PRO-REG | 5153854500 | 5153854600 | E08 | 16.085,84 |
| CADB-HE-DC 33 PRO-REG | 5153150000 | 5153150100 | E08 | 17.070,49 |
| CADT-HE-DC 45 PRO-REG | 5153839700 | 5153839900 | E08 | 22.263,56 |
| CADT-HE-DC 60 PRO-REG | 5153839800 | 5153840000 | E08 | 25.118,62 |
| CADT-HE-DC 100 PRO-REG | 5153855700 | 5153855800 | E08 | 30.179,89 |

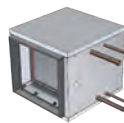
Modelos DI - con calefacción eléctrica incorporada

| | LV | RV | Grupo producto | Precio €/u. |
|------------------------|------------|------------|----------------|------------------|
| CADB-HE-DI 04 PRO-REG | 5153829100 | 5153829900 | E08 | 9.032,20 |
| CADB-HE-DI 08 PRO-REG | 5153829200 | 5153830000 | E08 | 10.040,19 |
| CADB-HE-DI 12 PRO-REG | 5153829300 | 5153830100 | E08 | 11.967,30 |
| CADB-HE-DI 16 PRO-REG | 5153829400 | 5153830200 | E08 | 12.829,12 |
| CADT-HE-DI 21 PRO-REG | 5153829500 | 5153830300 | E08 | 16.126,35 |
| CADT-HE-DI 27 PRO-REG | 5153854700 | 5153854800 | E08 | 16.945,62 |
| CADT-HE-DI 33 PRO-REG | 5153150200 | 5153150300 | E08 | 17.955,18 |
| CADT-HE-DI 45 PRO-REG | 5153840100 | 5153840300 | E08 | 23.132,27 |
| CADT-HE-DI 60 PRO-REG | 5153840200 | 5153840400 | E08 | 26.003,87 |
| CADT-HE-DI 100 PRO-REG | 5153855900 | 5153856000 | E08 | 32.123,11 |

ACCESORIOS COMUNES PARA LAS SERIES CADB/T-HE ECOWATT Y CADB/T-HE PRO-REG



| Código | Modelo | Grupo producto | Precio €/u. |
|--|----------------|----------------|-----------------|
| Baterías externas de agua fría BA-AF-HE | | | |
| 5407050300 | BA-AF-HE 04 LH | E08 | 1.393,15 |
| 5407050900 | BA-AF-HE 04 RH | E08 | 1.393,15 |
| 5407050400 | BA-AF-HE 08 LH | E08 | 1.565,51 |
| 5407051000 | BA-AF-HE 08 RH | E08 | 1.565,51 |
| 5407063200 | BA-AF-HE 12 LH | E08 | 1.619,38 |
| 5407063400 | BA-AF-HE 12 RH | E08 | 1.619,38 |
| 5407050500 | BA-AF-HE 16 LH | E08 | 2.015,28 |
| 5407051100 | BA-AF-HE 16 RH | E08 | 2.015,28 |
| 5407050600 | BA-AF-HE 21 LH | E08 | 2.245,58 |
| 5407051200 | BA-AF-HE 21 RH | E08 | 2.245,58 |
| 5800003100 | BA-AF-HE 27 LH | E08 | 2.388,44 |
| 5800003200 | BA-AF-HE 27 RH | E08 | 2.388,44 |
| 5407063300 | BA-AF-HE 33 LH | E08 | 2.483,41 |
| 5407063500 | BA-AF-HE 33 RH | E08 | 2.483,41 |
| 5407050700 | BA-AF-HE 45 LH | E08 | 3.022,06 |
| 5407051300 | BA-AF-HE 45 RH | E08 | 3.022,06 |
| 5407050800 | BA-AF-HE 60 LH | E08 | 3.336,58 |
| 5407051400 | BA-AF-HE 60 RH | E08 | 3.336,58 |



| Código | Modelo | Grupo producto | Precio €/u. |
|--|-----------------|----------------|-----------------|
| Baterías externas de agua fría y caliente BA-AFC-HE | | | |
| 5407052700 | BA-AFC-HE 04 LH | E08 | 1.727,16 |
| 5407053300 | BA-AFC-HE 04 RH | E08 | 1.727,16 |
| 5407052800 | BA-AFC-HE 08 LH | E08 | 1.996,08 |
| 5407053400 | BA-AFC-HE 08 RH | E08 | 1.996,08 |
| 5407063800 | BA-AFC-HE 12 LH | E08 | 2.055,41 |
| 5407064000 | BA-AFC-HE 12 RH | E08 | 2.055,41 |
| 5407052900 | BA-AFC-HE 16 LH | E08 | 2.616,54 |
| 5407053500 | BA-AFC-HE 16 RH | E08 | 2.616,54 |
| 5407053000 | BA-AFC-HE 21 LH | E08 | 2.995,30 |
| 5407053600 | BA-AFC-HE 21 RH | E08 | 2.995,30 |
| 5800003300 | BA-AFC-HE 27 LH | E08 | 3.223,65 |
| 5800003400 | BA-AFC-HE 27 RH | E08 | 3.223,65 |
| 5407063900 | BA-AFC-HE 33 LH | E08 | 3.243,01 |
| 5407064100 | BA-AFC-HE 33 RH | E08 | 3.243,01 |
| 5407053100 | BA-AFC-HE 45 LH | E08 | 4.076,13 |
| 5407053700 | BA-AFC-HE 45 RH | E08 | 4.076,13 |
| 5407053200 | BA-AFC-HE 60 LH | E08 | 4.657,88 |
| 5407053800 | BA-AFC-HE 60 RH | E08 | 4.657,88 |

| | | | |
|------------|-----------------|-----|-----------------|
| 5407056300 | BA-AF-HE 04 LV | E08 | 1.420,99 |
| 5407056900 | BA-AF-HE 04 RV | E08 | 1.420,99 |
| 5407056400 | BA-AF-HE 08 LV | E08 | 1.596,84 |
| 5407057000 | BA-AF-HE 08 RV | E08 | 1.596,84 |
| 5407064600 | BA-AF-HE 12 LV | E08 | 1.662,07 |
| 5407064800 | BA-AF-HE 12 RV | E08 | 1.662,07 |
| 5407056500 | BA-AF-HE 16 LV | E08 | 2.055,60 |
| 5407057100 | BA-AF-HE 16 RV | E08 | 2.055,60 |
| 5407056600 | BA-AF-HE 21 LV | E08 | 2.290,51 |
| 5407057200 | BA-AF-HE 21 RV | E08 | 2.290,51 |
| 5800003700 | BA-AF-HE 27 LV | E08 | 2.436,23 |
| 5800003800 | BA-AF-HE 27 RV | E08 | 2.436,23 |
| 5407064700 | BA-AF-HE 33 LV | E08 | 2.706,26 |
| 5407064900 | BA-AF-HE 33 RV | E08 | 2.706,26 |
| 5407056700 | BA-AF-HE 45 LV | E08 | 3.082,51 |
| 5407057300 | BA-AF-HE 45 RV | E08 | 3.082,51 |
| 5407056800 | BA-AF-HE 60 LV | E08 | 3.403,34 |
| 5407057400 | BA-AF-HE 60 RV | E08 | 3.403,34 |
| 5800004600 | BA-AF-HE 100 LV | E08 | 6.486,19 |
| 5800004500 | BA-AF-HE 100 RV | E08 | 6.486,19 |

| | | | |
|------------|------------------|-----|-----------------|
| 5407058700 | BA-AFC-HE 04 LV | E08 | 1.761,72 |
| 5407059300 | BA-AFC-HE 04 RV | E08 | 1.761,72 |
| 5407058800 | BA-AFC-HE 08 LV | E08 | 2.036,00 |
| 5407059400 | BA-AFC-HE 08 RV | E08 | 2.036,00 |
| 5407065200 | BA-AFC-HE 12 LV | E08 | 2.098,17 |
| 5407065400 | BA-AFC-HE 12 RV | E08 | 2.098,17 |
| 5407058900 | BA-AFC-HE 16 LV | E08 | 2.668,89 |
| 5407059500 | BA-AFC-HE 16 RV | E08 | 2.668,89 |
| 5407059000 | BA-AFC-HE 21 LV | E08 | 3.055,25 |
| 5407059600 | BA-AFC-HE 21 RV | E08 | 3.055,25 |
| 5800003900 | BA-AFC-HE 27 LV | E08 | 3.288,11 |
| 5800004000 | BA-AFC-HE 27 RV | E08 | 3.288,12 |
| 5407065300 | BA-AFC-HE 33 LV | E08 | 3.526,79 |
| 5407065500 | BA-AFC-HE 33 RV | E08 | 3.526,79 |
| 5407059100 | BA-AFC-HE 45 LV | E08 | 4.157,65 |
| 5407059700 | BA-AFC-HE 45 RV | E08 | 4.157,65 |
| 5407059200 | BA-AFC-HE 60 LV | E08 | 4.751,04 |
| 5407059800 | BA-AFC-HE 60 RV | E08 | 4.751,04 |
| 5800005000 | BA-AFC-HE 100 LV | E08 | 8.755,89 |
| 5800004900 | BA-AFC-HE 100 RV | E08 | 8.755,89 |



| Código | Modelo | Grupo producto | Precio €/u. |
|--|-----------------|----------------|-------------|
| Baterías externas de expansión directa BA-DX-HE | | | |
| 5407053900 | BA-DX-HE 04 LH | E08 | 1.453,92 |
| 5407054500 | BA-DX-HE 04 RH | E08 | 1.453,92 |
| 5407054000 | BA-DX-HE 08 LH | E08 | 1.649,60 |
| 5407054600 | BA-DX-HE 08 RH | E08 | 1.649,60 |
| 5407064200 | BA-DX-HE 12 LH | E08 | 1.756,71 |
| 5407064400 | BA-DX-HE 12 RH | E08 | 1.756,71 |
| 5407054100 | BA-DX-HE 16 LH | E08 | 2.112,71 |
| 5407054700 | BA-DX-HE 16 RH | E08 | 2.112,71 |
| 5407054200 | BA-DX-HE 21 LH | E08 | 2.362,52 |
| 5407054800 | BA-DX-HE 21 RH | E08 | 2.362,52 |
| 5800003500 | BA-DX-HE 27 LH | E08 | 2.406,19 |
| 5800003600 | BA-DX-HE 27 RH | E08 | 2.406,19 |
| 5407064300 | BA-DX-HE 33 LH | E08 | 2.719,81 |
| 5407064500 | BA-DX-HE 33 RH | E08 | 2.719,81 |
| 5407054300 | BA-DX-HE 45 LH | E08 | 3.280,43 |
| 5407054900 | BA-DX-HE 45 RH | E08 | 3.280,43 |
| 5407054400 | BA-DX-HE 60 LH | E08 | 3.633,72 |
| 5407055000 | BA-DX-HE 60 RH | E08 | 3.633,72 |
| | | | |
| 5407059900 | BA-DX-HE 04 LV | E08 | 1.482,99 |
| 5407060500 | BA-DX-HE 04 RV | E08 | 1.482,99 |
| 5407060000 | BA-DX-HE 08 LV | E08 | 1.682,59 |
| 5407060600 | BA-DX-HE 08 RV | E08 | 1.682,59 |
| 5407065600 | BA-DX-HE 12 LV | E08 | 1.801,29 |
| 5407065800 | BA-DX-HE 12 RV | E08 | 1.801,29 |
| 5407060100 | BA-DX-HE 16 LV | E08 | 2.154,97 |
| 5407060700 | BA-DX-HE 16 RV | E08 | 2.154,97 |
| 5407060200 | BA-DX-HE 21 LV | E08 | 2.409,76 |
| 5407060800 | BA-DX-HE 21 RV | E08 | 2.409,76 |
| 5800004100 | BA-DX-HE 27 LV | E08 | 2.454,32 |
| 5800004200 | BA-DX-HE 27 RV | E08 | 2.454,32 |
| 5407065700 | BA-DX-HE 33 LV | E08 | 2.738,17 |
| 5407065900 | BA-DX-HE 33 RV | E08 | 2.738,17 |
| 5407060300 | BA-DX-HE 45 LV | E08 | 3.346,05 |
| 5407060900 | BA-DX-HE 45 RV | E08 | 3.346,05 |
| 5407060400 | BA-DX-HE 60 LV | E08 | 3.706,41 |
| 5407061000 | BA-DX-HE 60 RV | E08 | 3.706,41 |
| 5800004800 | BA-DX-HE 100 LV | E08 | 5.727,10 |
| 5800004700 | BA-DX-HE 100 RV | E08 | 5.727,10 |

| Código | Modelo | Grupo producto | Precio €/u. |
|---|-----------------------------|----------------|-------------|
| Accesorios para el control de baterías externas | | | |
| 5416753100 | TG/K3 PT1000 | E08 | 42,82 |
| 5800017400 | SONDA PT1000 METALICA CURVA | E08 | 38,09 |
| 5416783700 | THCO | E09 | 85,63 |

Modelo



Termostato regulador válvula de 3 vías
WCT

[Ver códigos y precios en Accesorios Generales]



| Código | Modelo | Grupo producto | Precio €/u. |
|---|----------------|----------------|-----------------|
| Cajas filtrantes FBL-HE, suministradas sin filtro, para montar filtros AFR-HE (admite un máximo de 2 filtros) | | | |
| 5407055100 | FBL-HE 04 H | E08 | 791,04 |
| 5407055200 | FBL-HE 08 H | E08 | 810,70 |
| 5407066000 | FBL-HE 12 H | E08 | 828,98 |
| 5407055300 | FBL-HE 16 H | E08 | 850,46 |
| 5407055400 | FBL-HE 21-27 H | E08 | 955,40 |
| 5407066100 | FBL-HE 33 H | E08 | 1.098,62 |
| 5407055500 | FBL-HE 45 H | E08 | 1.171,95 |
| 5407055600 | FBL-HE 60 H | E08 | 1.240,41 |
| 5407055700 | FBL-HE 04 V | E08 | 806,88 |
| 5407055800 | FBL-HE 08 V | E08 | 826,95 |
| 5407066200 | FBL-HE 12 V | E08 | 854,37 |
| 5407055900 | FBL-HE 16 V | E08 | 867,46 |
| 5407056000 | FBL-HE 21-27 V | E08 | 974,51 |
| 5407066300 | FBL-HE 33 V | E08 | 1.120,58 |
| 5407056100 | FBL-HE 45 V | E08 | 1.195,39 |
| 5407056200 | FBL-HE 60 V | E08 | 1.265,22 |
| 5800014200 | FBL-HE 100 V | E08 | 2.995,42 |



| Código | Modelo | Grupo producto | Precio €/u. |
|--|-------------------|----------------|------------------|
| Cajas filtrantes externas FB-IAQ HE para la purificación del aire exterior | | | |
| 5407070000 | FB-IAQ HE 04 H | E08 | 1.801,83 |
| 5407070100 | FB-IAQ HE 08 H | E08 | 2.108,61 |
| 5407070200 | FB-IAQ HE 12 H | E08 | 2.671,23 |
| 5407070300 | FB-IAQ HE 16 H | E08 | 3.256,90 |
| 5407070400 | FB-IAQ HE 21-27 H | E08 | 3.903,01 |
| 5407070500 | FB-IAQ HE 33 H | E08 | 4.814,04 |
| 5407070600 | FB-IAQ HE 45 H | E08 | 5.755,77 |
| 5407070700 | FB-IAQ HE 60 H | E08 | 7.982,82 |
| 5407070800 | FB-IAQ HE 04 V | E08 | 1.837,86 |
| 5407070900 | FB-IAQ HE 08 V | E08 | 2.150,77 |
| 5407071000 | FB-IAQ HE 12 V | E08 | 2.724,66 |
| 5407071100 | FB-IAQ HE 16 V | E08 | 3.322,04 |
| 5407071200 | FB-IAQ HE 21-27 V | E08 | 3.981,09 |
| 5407071300 | FB-IAQ HE 33 V | E08 | 4.910,30 |
| 5407071400 | FB-IAQ HE 45 V | E08 | 5.870,90 |
| 5407071500 | FB-IAQ HE 60 V | E08 | 8.142,47 |
| 5800014400 | FB-IAQ HE 100 V | E08 | 12.857,38 |



| Código | Modelo | Grupo producto | Precio €/u. |
|--|------------------|----------------|-----------------|
| Cajas filtrantes externas FB-CA-HE, de carbón activo (con filtros incluidos) | | | |
| 5407061100 | FB-CA HE 04 H | E08 | 1.499,91 |
| 5407061200 | FB-CA HE 08 H | E08 | 1.697,72 |
| 5407066400 | FB-CA HE 12 H | E08 | 1.995,99 |
| 5407061300 | FB-CA HE 16 H | E08 | 2.200,01 |
| 5407061400 | FB-CA HE 21-27 H | E08 | 2.630,82 |
| 5407066500 | FB-CA HE 33 H | E08 | 3.096,23 |
| 5407061500 | FB-CA HE 45 H | E08 | 4.249,22 |
| 5407061600 | FB-CA HE 60 H | E08 | 5.515,93 |
| 5407061700 | FB-CA HE 04 V | E08 | 1.529,91 |
| 5407061800 | FB-CA HE 08 V | E08 | 1.731,70 |
| 5407066600 | FB-CA HE 12 V | E08 | 2.038,67 |
| 5407061900 | FB-CA HE 16 V | E08 | 2.244,01 |
| 5407062000 | FB-CA HE 21-27 V | E08 | 2.683,41 |
| 5407066700 | FB-CA HE 33 V | E08 | 3.181,03 |
| 5407062100 | FB-CA HE 45 V | E08 | 4.334,21 |
| 5407062200 | FB-CA HE 60 V | E08 | 5.626,24 |
| 5800014300 | FB-CA HE 100 V | E08 | 7.787,28 |

| Código | Modelo | Grupo producto | Precio €/u. |
|---------------------|-----------------|----------------|---------------|
| Filtros de recambio | | | |
| 5402082400 | AFR-CA 04 CA | E08 | 66,45 |
| 5402082500 | AFR-CA 08 CA | E08 | 82,65 |
| 5402086400 | AFR-CA 12 CA | E08 | 96,42 |
| 5402082600 | AFR-CA 16 CA | E08 | 105,75 |
| 5402082700 | AFR-CA 21/27 CA | E08 | 132,83 |
| 5402086500 | AFR-CA 33 CA | E08 | 133,56 |
| 5402082800 | AFR-CA 45 CA | E08 | 144,31 |
| 5402082900 | AFR-CA 60 CA | E08 | 159,91 |
| 5800014500 | AFR-CA 100 CA | E08 | 164,09 |

| | | | |
|------------|---------------|-----|---------------|
| 5407071600 | AFR-IAQ 04 | E08 | 172,79 |
| 5407071700 | AFR-IAQ 08 | E08 | 213,20 |
| 5407071800 | AFR-IAQ 12 | E08 | 244,68 |
| 5407071900 | AFR-IAQ 16 | E08 | 273,81 |
| 5407072000 | AFR-IAQ 21/27 | E08 | 340,13 |
| 5407072100 | AFR-IAQ 33 | E08 | 336,71 |
| 5407072200 | AFR-IAQ 45 | E08 | 321,04 |
| 5407072300 | AFR-IAQ 60 | E08 | 410,86 |
| 5800014600 | AFR-IAQ 100 | E08 | 413,72 |

| | | | |
|------------|---------------------|-----|---------------|
| 5402081800 | AFR-IAQ/CA 04 F9 | E08 | 31,41 |
| 5402081900 | AFR-IAQ/CA 08 F9 | E08 | 42,53 |
| 5402086200 | AFR-IAQ/CA 12 F9 | E08 | 62,83 |
| 5402082000 | AFR-IAQ/CA 16 F9 | E08 | 72,27 |
| 5402082100 | AFR-IAQ/CA 21/27 F9 | E08 | 91,20 |
| 5402086300 | AFR-IAQ/CA 33 F9 | E08 | 96,67 |
| 5402082200 | AFR-IAQ/CA 45 F9 | E08 | 162,47 |
| 5402082300 | AFR-IAQ/CA 60 F9 | E08 | 217,05 |
| 5800014700 | AFR-IAQ/CA 100 F9 | E08 | 221,87 |

Series CADB/T-HE BASIC



Modelos falso techo
CADB-HE 04 a 33



Modelos verticales
CADB-HE 04 a 33



Modelos para montaje exterior
CADT-HE 45 a 100

Recuperadores de calor, con intercambiador de placas de aluminio tipo counterflow de alta eficiencia (hasta el 93%), certificado por EUROVENT, montados en cajas de acero galvanizado plastificado de color blanco, de doble pared con aislamiento interior termoacústico ininflamable (A1/M0) de lana mineral de 25 mm de espesor en los modelos 04 a 33 y 47 mm en los modelos 45 a 100. Bocas de entrada y salida configurables, versiones para instalación horizontal y vertical. Temperatura mínima de aire exterior -10°C. Para temperaturas inferiores es necesario utilizar baterías de precalentamiento ubicadas en la aspiración del aire exterior.

Aplicaciones

Locales comerciales, oficinas, hostelería, edificios públicos, escuelas.

La gama CADB/T-HE-D BASIC no está disponible con baterías adicionales de postcalentamiento. El control BASIC no permite el control de baterías externas de calentamiento ni refrigeración.

Motores

Modelos 04 a 33: Motores EC de alimentación monofásica, con protección electrónica integrada. IP44, Clase B.

Modelos 45 a 60: Motores EC de alimentación trifásica, con protección electrónica integrada, IP54, Clase B.

Ventiladores

Plug-fans con rodets de álabes hacia atrás.

Filtros

- F7: Filtros F7 de baja pérdida para la aportación de aire.
- M5: Filtros M5 para la extracción de aire.
- Posibilidad de montar un segundo filtro en el interior del equipo (suministrado como accesorio).

Control

Incluye un control de funcionamiento integral, integrado en la unidad y cableado a todos los componentes (ventiladores, by-pass, detectores de ensuciamiento de filtros, sondas de temperatura, etc.). Permite el control manual o automático de los ventiladores.

Existen dos posibles modos automáticos de control de los ventiladores:

VAV- Volumen de aire variable

La velocidad de los ventiladores puede ser ajustada mediante una señal analógica 0-10V procedente del mando remoto incluido o de un sensor de CO₂ (accesorio).

COP - Presión constante (solamente disponible vía Modbus)

La velocidad de los ventiladores es regulada para mantener una presión constante en la red de conductos. Es necesario un sensor de presión TDP-S, como accesorio externo. Esta funcionalidad no puede ser activada desde el mando remoto suministrado con la unidad.

Otros datos

Modelos monofásicos (CADB-HE BASIC) y trifásicos (CADT-HE BASIC).

Caudales nominales de 450 a 10.000 m³/h.

Todos los modelos y versiones incluyen by-pass interno.

Paneles laterales intercambiables que permiten múltiples orientaciones de las entradas y salidas de aire.



Recuperación de calor



ErP OK



Smart Ventilation Systems



eotechnology



FILTRO EN APORTACIÓN



FILTRO EN EXTRACCIÓN

Versiones



CONFIGURACIÓN HORIZONTAL



CONFIGURACIÓN VERTICAL



SIN APORTE DE CALOR ADICIONAL

REFERENCIA

| | | | | | | | | |
|----------|----------|----------|----------|-------------|----------|-----------|-----------|--------------|
| C | A | D | B | - HE | D | 16 | LH | BASIC |
| 1 | | 2 | 3 | 4 | | | | 5 |

1 - Serie:

CADB-HE: Alimentación monofásica.
CADT-HE: Alimentación trifásica.

2 - Gama, según opciones de calefacción:

D: Gama sin aporte adicional de calefacción.

3 - Tamaño

4 - Tipo de configuración:

- LH:** Izquierda horizontal
- RH:** Derecha horizontal
- LV:** Izquierda vertical
- RV:** Derecha vertical

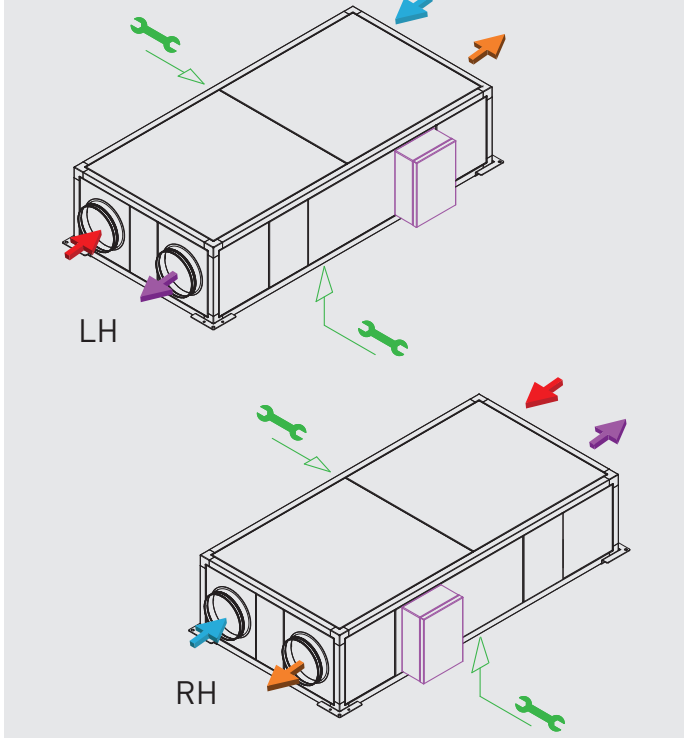
5 - BASIC: Control Plug & Play BASIC incluido. Ventiladores de alta eficiencia EC-Technology.

CONFIGURACIONES ESTÁNDAR CADB/T-HE D BASIC

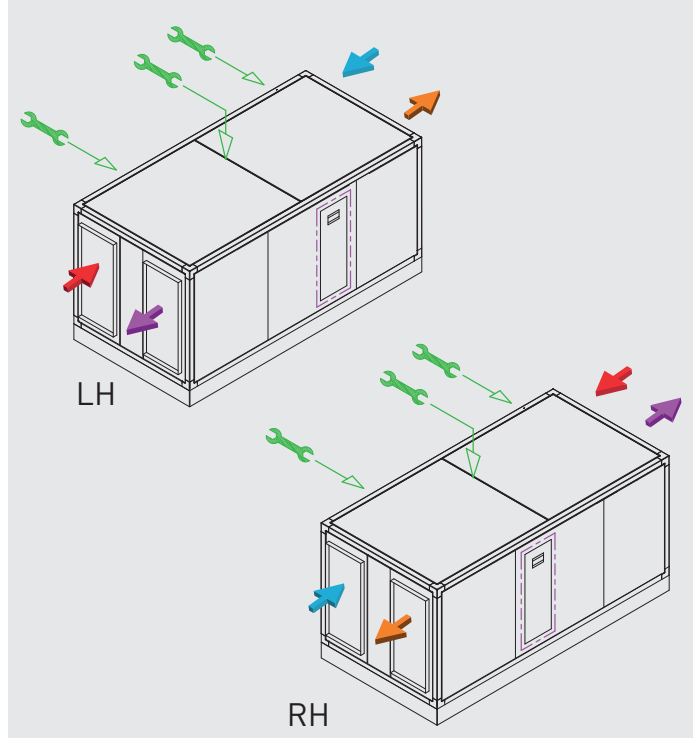
A partir de estas configuraciones hay múltiples variables que pueden ser realizadas por parte del profesional instalador de una forma rápida y sencilla.

- TOMA AIRE EXTERIOR
- IMPULSIÓN AIRE NUEVO
- EXTRACCIÓN AIRE INTERIOR
- EXPULSIÓN AIRE INTERIOR
- REGISTRO MANTENIMIENTO
- POSICION CAJA BORNES / ARMARIO ELÉCTRICO

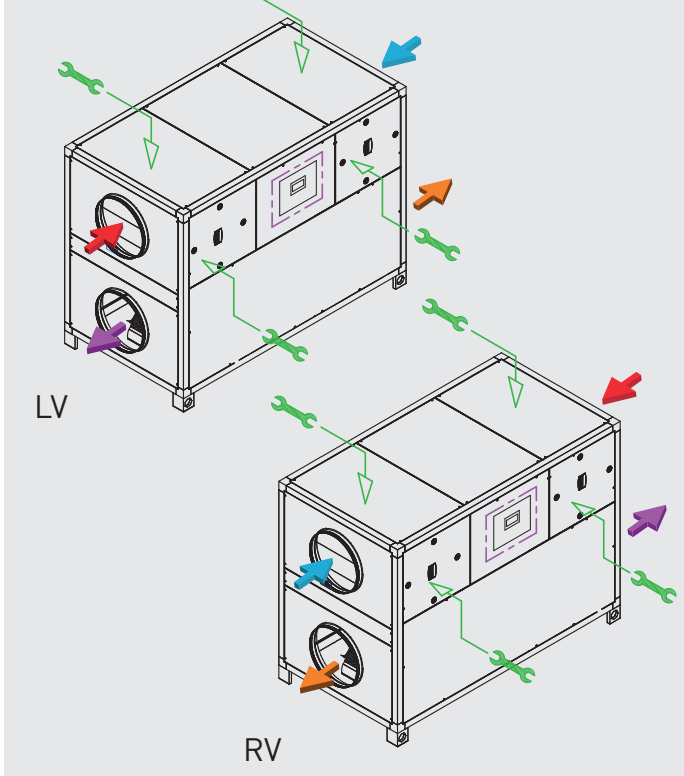
CADB/T-HE 04 a 33
Versiones horizontales (falso techo)



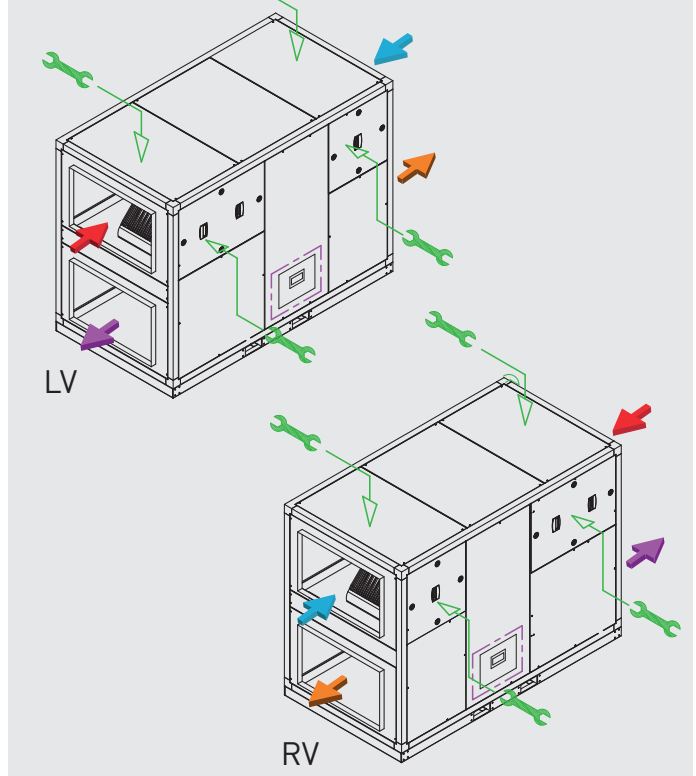
CADT-HE 45 y 60
Versiones horizontales



CADB/T-HE 04 a 33
Versiones verticales



CADT-HE 45 a 100
Versiones verticales



CARACTERÍSTICAS TÉCNICAS

Modelos D: sin aporte adicional de calefacción.

| | Unidad completa | | | | | Ventilador | | Peso (kg) | |
|---------------------|-------------------------------|---------------------------------|------------------------------|------------------------|---------------------|-----------------------|---------------------------|-----------|---------------------------------------|
| | Diámetro conexiones aire (mm) | Caudal nominal a 150Pa*2 (m³/h) | Eficiencia recuperador*1 (%) | Alimentación eléctrica | P. abs. máxima (kW) | Intensidad máxima (A) | Velocidad máxima (r.p.m.) | | Intensidad máxima (A) Cada ventilador |
| CADB-HE D 04 BASIC | 200 | 450 | 87 | 1/230V, 50Hz | 0,35 | 2,2 | 3700 | 1,0 | 147 |
| CADB-HE D 08 BASIC | 250 | 800 | 86,4 | 1/230V, 50Hz | 0,53 | 2,9 | 2650 | 1,3 | 183 |
| CADB-HE D 12 BASIC | 315 | 1.200 | 85,3 | 1/230V, 50Hz | 1,10 | 3,5 | 2550 | 1,6 | 190 |
| CADB-HE D 16 BASIC | 315 | 1.600 | 85,5 | 1/230V, 50Hz | 1,10 | 4,3 | 2845 | 2,0 | 235 |
| CADB-HE D 21 BASIC | 400 | 2.100 | 86,5 | 1/230V, 50Hz | 1,13 | 4,7 | 1580 | 2,2 | 333 |
| CADB-HE D 27 BASIC | 400 | 2.700 | 83,8 | 1/230V, 50Hz | 1,84 | 7,5 | 2450 | 3,6 | 367 |
| CADB-HE D 33 BASIC | 400 | 3.300 | 89,9 | 1/230V, 50Hz | 2,32 | 9,6 | 2200 | 4,6 | 420 |
| CADT-HE D 45 BASIC | 400x600 | 4.500 | 88,4 | 3+N/400V, 50Hz | 4,43 | 6,3 | 2200 | 3,0 | 597 |
| CADT-HE D 60 BASIC | 600x700 | 6.100 | 89 | 3+N/400V, 50Hz | 4,43 | 6,3 | 2200 | 3,0 | 730 |
| CADT-HE D 100 BASIC | 1100x610 | 10.000 | 88,9 | 3+N/400V, 50Hz | 8,13 | 11,9 | 2160 | 5,8 | 862 |

*1 Eficiencia húmeda referida a caudal nominal, condiciones exteriores (-5°C 80% RH) e interiores (20°C/50%RH).

*2 CADT-HE 45 caudal referido a 450Pa. CADT-HE 100 caudal referido a 300Pa.

CADB/T-HE BASIC HORIZONTALES

Modelos D - sin calefacción incorporada

| | LH | RH | Grupo producto | Precio €/u. |
|--------------------|------------|------------|----------------|------------------|
| CADB-HE-D 04 BASIC | 5153120800 | 5153122300 | E08 | 5.830,09 |
| CADB-HE-D 08 BASIC | 5153120900 | 5153132400 | E08 | 6.720,62 |
| CADB-HE-D 12 BASIC | 5153133500 | 5153133600 | E08 | 8.244,10 |
| CADB-HE-D 16 BASIC | 5153122100 | 5153132500 | E08 | 9.265,16 |
| CADB-HE-D 21 BASIC | 5153122200 | 5153132600 | E08 | 11.643,31 |
| CADB-HE-D 27 BASIC | 5153138700 | 5153138800 | E08 | 13.012,48 |
| CADB-HE-D 33 BASIC | 5153150400 | 5153150500 | E08 | 15.647,30 |
| CADT-HE-D 45 BASIC | 5153134300 | 5153134500 | E08 | 19.382,14 |
| CADT-HE-D 60 BASIC | 5153134400 | 5153134600 | E08 | 21.812,18 |

CADB/T-HE BASIC VERTICALES

Modelos D - sin calefacción incorporada

| | LV | RV | Grupo producto | Precio €/u. |
|---------------------|------------|------------|----------------|------------------|
| CADB-HE-D 04 BASIC | 5153132700 | 5153133100 | E08 | 5.830,09 |
| CADB-HE-D 08 BASIC | 5153132800 | 5153133200 | E08 | 6.720,62 |
| CADB-HE-D 12 BASIC | 5153133700 | 5153133800 | E08 | 8.244,10 |
| CADB-HE-D 16 BASIC | 5153132900 | 5153133300 | E08 | 9.265,16 |
| CADB-HE-D 21 BASIC | 5153133000 | 5153133400 | E08 | 11.643,31 |
| CADB-HE-D 27 BASIC | 5153138900 | 5153139000 | E08 | 13.012,48 |
| CADB-HE-D 33 BASIC | 5153150600 | 5153150700 | E08 | 15.647,30 |
| CADT-HE-D 45 BASIC | 5153134700 | 5153134900 | E08 | 19.382,14 |
| CADT-HE-D 60 BASIC | 5153134800 | 5153135000 | E08 | 21.812,18 |
| CADT-HE-D 100 BASIC | 5153856100 | 5153856200 | E08 | 31.702,91 |

ACCESORIOS COMUNES PARA LAS SERIES CADB/T-HE ECOWATT, CADB/T-HE PRO-REG Y CADB/T-HE BASIC



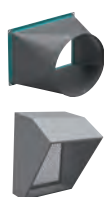
| Código | Modelo | Grupo producto | Precio €/u. |
|--|-------------------|----------------|-----------------|
| Tejados antilluvia TPP-HE horizontales | | | |
| 5407049100 | TPP-HE-H 04 | E08 | 576,51 |
| 5407049200 | TPP-HE-H 08 | E08 | 584,54 |
| 5407066800 | TPP-HE-H 12 | E08 | 598,35 |
| 5407049300 | TPP-HE-H 16 | E08 | 694,53 |
| 5407049400 | TPP-HE-H 21-27-33 | E08 | 767,20 |
| 5407049500 | TPP-HE-H 45 | E08 | 784,47 |
| 5407049600 | TPP-HE-H 60 | E08 | 816,47 |
| Tejados antilluvia TPP-HE verticales | | | |
| 5407049700 | TPP-HE-V 04 | E08 | 518,85 |
| 5407049800 | TPP-HE-V 08 | E08 | 526,09 |
| 5407067000 | TPP-HE-V 12 | E08 | 551,82 |
| 5407049900 | TPP-HE-V 16 | E08 | 625,07 |
| 5407050000 | TPP-HE-V 21-27 | E08 | 690,48 |
| 5407067100 | TPP-HE-V 33 | E08 | 703,21 |
| 5407050100 | TPP-HE-V 45 | E08 | 706,03 |
| 5407050200 | TPP-HE-V 60 | E08 | 734,81 |
| 5407074500 | TPP-HE-V 100 | E08 | 1.029,38 |



| Código | Modelo | Grupo producto | Precio €/u. |
|-------------------|---------------------|----------------|---------------|
| Filtros AFR-HE G4 | | | |
| 5402080400 | AFR-HE-200/04 G4 | E08 | 32,42 |
| 5402080500 | AFR-HE-250/08 G4 | E08 | 46,75 |
| 5402085400 | AFR-HE-315/12 G4 | E08 | 53,25 |
| 5402080600 | AFR-HE-315/16 G4 | E08 | 59,69 |
| 5402080700 | AFR-HE-400/21-27 G4 | E08 | 83,04 |
| 5402085500 | AFR-HE-400/33 G4 | E08 | 97,53 |
| 5402080800 | AFR-HE-450/45 G4 | E08 | 114,16 |
| 5402080900 | AFR-HE-500/60 G4 | E08 | 171,49 |
| 5407034000 | AFR-HE-710/100 G4 | E08 | 292,51 |
| Filtros AFR-HE M5 | | | |
| 5402078100 | AFR-HE-200/04 M5 | E08 | 42,45 |
| 5402078300 | AFR-HE-250/08 M5 | E08 | 73,67 |
| 5402084900 | AFR-HE-315/12 M5 | E08 | 74,81 |
| 5402078500 | AFR-HE-315/16 M5 | E08 | 86,88 |
| 5402078700 | AFR-HE-400/21-27 M5 | E08 | 164,52 |
| 5402085200 | AFR-HE-400/33 M5 | E08 | 173,14 |
| 5402079400 | AFR-HE-450/45 M5 | E08 | 214,65 |
| 5402079500 | AFR-HE-500/60 M5 | E08 | 263,62 |
| 5407028600 | AFR-HE-710/100 M5 | E08 | 550,62 |

| Código | Modelo | Grupo producto | Precio €/u. |
|-------------------|---------------------|----------------|---------------|
| Filtros AFR-HE F7 | | | |
| 5402078000 | AFR-HE-200/04 F7 | E08 | 54,54 |
| 5402078200 | AFR-HE-250/08 F7 | E08 | 94,15 |
| 5402084700 | AFR-HE-315/12 F7 | E08 | 102,27 |
| 5402078400 | AFR-HE-315/16 F7 | E08 | 120,31 |
| 5402078600 | AFR-HE-400/21-27 F7 | E08 | 237,64 |
| 5402085000 | AFR-HE-400/33 F7 | E08 | 250,03 |
| 5402079200 | AFR-HE-450/45 F7 | E08 | 303,34 |
| 5402079300 | AFR-HE-500/60 F7 | E08 | 385,64 |
| 5407033800 | AFR-HE-710/100 F7 | E08 | 758,22 |

| Código | Modelo | Grupo producto | Precio €/u. |
|-------------------|---------------------|----------------|---------------|
| Filtros AFR-HE F9 | | | |
| 5402078800 | AFR-HE-200/04 F9 | E08 | 62,06 |
| 5402078900 | AFR-HE-250/08 F9 | E08 | 106,91 |
| 5402084800 | AFR-HE-315/12 F9 | E08 | 117,12 |
| 5402079000 | AFR-HE-315/16 F9 | E08 | 137,87 |
| 5402079100 | AFR-HE-400/21-27 F9 | E08 | 268,02 |
| 5402085100 | AFR-HE-400/33 F9 | E08 | 281,99 |
| 5402079600 | AFR-HE-450/45 F9 | E08 | 351,75 |
| 5402079700 | AFR-HE-500/60 F9 | E08 | 451,19 |
| 5407033900 | AFR-HE-710/100 F9 | E08 | 856,79 |



| Código | Modelo | Grupo producto | Precio €/u. |
|---------------------------------------|---------------------|----------------|---------------|
| Adaptadores de rectangular a circular | | | |
| 5407072500 | PRRE 600x400/500 | E08 | 243,10 |
| 5407072600 | PRRE 700x600/560 | E08 | 262,21 |
| 5407074700 | PRRE 1100x610/710 | E08 | 408,80 |
| Viseras de protección | | | |
| 5407072400 | APR CADT-HE 45/60 H | E08 | 166,13 |
| 5407034100 | APR CADT-HE 45/60 V | E08 | 166,13 |
| 5407074600 | APR CADT-HE 100 | E08 | 221,98 |
| Kit Pies | | | |
| 5407067200 | KIT PIES CADB-HE | E08 | 152,25 |

Serie CAD-HE EC



Configuración constructiva modelos verticales

Recuperadores de calor, plug & play, con intercambiador de aluminio a contraflujo, de alto rendimiento (hasta el 92%) y motor de rotor exterior EC de corriente continua de muy bajo consumo. Carcasa de acero galvanizado, pintada color blanco RAL 9003 por ambos lados. Paneles tipo sandwich con aislamiento interior de lana mineral de 25 mm. Filtros de impulsión y extracción M5 (F7, como accesorio). Ventiladores centrífugos tipo plug fan con rodete de álabes hacia atrás. Incorpora by-pass (100% del caudal). Fácil acceso a sus componentes internos.

Pueden conectarse a sensores de tipo proporcional (CO₂, HR) para disponer de un sistema de Demanda Controlada de Ventilación. Diseñados para instalaciones en interior. Para climas especialmente fríos existen versiones con baterías de precalentamiento.

Características específicas unidades verticales

- Carcasa de chapa de acero pintada de color blanco RAL 9003 por ambos lados.
- Aislamiento interior de 25 mm.
- Filtros de impulsión y extracción ePM10 50% (M5).
- Embocaduras de Ø 160/200 mm.
- Protocolo de comunicación MODBUS.



Configuración constructiva modelos horizontales

Recuperadores de calor, plug & play, con intercambiador de aluminio a contraflujo, de alto rendimiento (hasta el 92%) y motor de rotor exterior EC de corriente continua de muy bajo consumo. Carcasa de acero galvanizado. Paneles tipo sandwich con aislamiento interior de lana mineral de 30 mm. Filtro de impulsión F7 y de extracción M5. Ventiladores centrífugos tipo plug fan con rodete de álabes hacia atrás. Incorpora by-pass (100% del caudal). Fácil acceso a sus componentes internos. Pueden conectarse a sensores de tipo proporcional

(CO₂, HR) para disponer de un sistema de Demanda Controlada de Ventilación. Diseñados para instalaciones en interior. Para climas especialmente fríos existen versiones con baterías de precalentamiento.

Características específicas unidades horizontales

- Carcasa de chapa de acero galvanizado.
- Aislamiento interior de 30 mm.
- Filtro de impulsión ePM1 65% (F7) y de extracción ePM10 50% (M5).
- Para conductos rectangulares.
- Protocolo de comunicación MODBUS.



Aplicaciones específicas



| Código | Modelo | Caudal (m³/h) | Tensión | Ventiladores | | Máximo nivel de presión sonora a 3 m en campo libre (dB(A)) | | | Peso (kg) | Grupo producto | Precio €/u. |
|--------------------------------|-----------------------|---------------|---------------|--------------------|---------------------------------|---|------------|----------|-----------|----------------|-----------------|
| | | | | Potencia motor (W) | Intensidad máxima absorbida (A) | Radiado | Aspiración | Descarga | | | |
| Instalación vertical | | | | | | | | | | | |
| 5153708600 | CAD HE 325 EC V BASIC | 480 | 1~ 230V, 50Hz | 230 | 1,3 | 37 | 43 | 49 | 100 | E08 | 5.586,24 |
| 5153667600 | CAD HE 450 EC V BASIC | 540 | 1~ 230V, 50Hz | 345 | 2,0 | 38 | 42 | 46 | 100 | E08 | 6.019,45 |
| 5153811900 | CAD HE 575 EC V BASIC | 680 | 1~ 230V, 50Hz | 362 | 2,5 | - | - | - | 136 | E08 | 6.621,40 |
| Instalación falso techo | | | | | | | | | | | |
| 5153810800 | CAD HE 450 EC H BASIC | 620 | 1~ 230V, 50Hz | 252 | 1,8 | 30 | 38 | 55 | 90 | E08 | 5.414,69 |

ACCESORIOS ESPECÍFICOS PARA LA SERIE CAD-HE EC

| Código | Modelo | Grupo producto | Precio €/u. | Código | Modelo | Grupo producto | Precio €/u. |
|------------------------------------|-----------------|----------------|--------------|---|---------------------|----------------|---------------|
| Filtros F7 para modelos verticales | | | | Base soporte | | | |
| 5402067400 | AFR-325/450V-F7 | E08 | 55,44 | 5407038600 | SUP 450/150 | E08 | 262,91 |
| 5402081700 | AFR-575V-F7 | E08 | 61,00 | 5407062300 | SUP 575/150 | E08 | 289,17 |
| Filtro F7 para modelo horizontal | | | | Adaptador rectangular-circular | | | |
| 5402081100 | AFR-450H-F7 | E08 | 62,89 | 5402077900 | STRT W316XH216/D200 | E08 | 177,34 |
| Filtros M5 para modelos verticales | | | | Mando remoto táctil con programador horario | | | |
| 5402058800 | AFR-325/450V-M5 | E08 | 52,42 | 5401641600 | TSP-A | E80 | 854,32 |
| 5402081000 | AFR-575V-M5 | E08 | 57,93 | | | | |
| Filtro M5 para modelo horizontal | | | | | | | |
| 5402058900 | AFR-450H-M5 | E08 | 59,97 | | | | |

Serie RHE

Ampliación de gama



Configuración constructiva de los modelos RHE VD: Descarga vertical.



Configuración constructiva de los modelos RHE HDR: Descarga horizontal y acceso por el lado derecho.

Recuperadores de calor rotativos de alta eficiencia (hasta 88%) con ventiladores tipo plug-fan de palas a reacción y motor de rotor exterior EC. Carcasa autoportante con panel sandwich de 50 mm (lana mineral, 40 kg/m³, conductividad térmica 0,037 W/mK). Chapa exterior pintada en RAL7024 de gran resistencia contra corrosión (clase: RC3) y contra rayos UVA (clase: RUV3) según norma EN 10169 y cara interior en acero galvanizado. Pies de acero de 3 mm, pintados RAL9011, de 100 mm de altura [excepto modelos RHE 6000 a 10000, que van montados sobre una base], con posibilidad de montar soportes antivibratorios o niveladores (como accesorios). Fácil acceso a todos los componentes y a la electrónica, gracias a sus amplias puertas con bisagras. Conexiones circulares con juntas de estanqueidad clase D de VELODUCT® hasta el caudal 3.500, conexiones rectangulares para los caudales 4.500, 6.000, 8.000, 10.000 y 15.000.

Ventilador / Motor

Ventiladores tipo plug-fan de palas a reacción y motor de rotor exterior EC con rodamientos de engrase permanente, protección electrónica integrada (rotor bloqueado, error de fase, baja tensión, temperatura, cortocircuito). Protección IP54, Clase B (modelos 8000/10000/15000, Clase F).

Aplicaciones

Locales comerciales, oficinas, hostelería, edificios públicos, escuelas.

Gamas

Versiones:

- descarga horizontal (HD).
- descarga vertical (VD).
- descarga horizontal para instalación en intemperie (HD OI).

Tamaños: 700 m³/h, 1.300 m³/h, 1.900 m³/h, 2.500 m³/h, 3.500 m³/h, 4.500 m³/h, 6.000 m³/h, 8.000 m³/h, 10.000 m³/h y 15.000 m³/h.

Modelos:

- RHE D: sin aporte adicional de calefacción.
- RHE DI: con batería eléctrica integrada.
- RHE DC: con batería de agua caliente integrada.
- RHE DFR: con batería de 2 filas, reversible de agua caliente/agua fría integrada (la versión con batería de agua fría sólo para los modelos HD).
- RHE DFR4R: con batería de 4 filas, reversible de agua caliente/agua fría integrada (para modelos 6000, 8000, 10000 y 15000).
- RHE DC/DF: con 2 baterías independientes integradas (agua fría y agua caliente).
- RHE DX: batería de expansión directa integrada (sólo en versiones de descarga horizontal, HD, excepto en el modelo 15000).

Gama de productos según tipo de control integrado (Plug & Play):

VAV - caudal de aire variable
La velocidad se puede ajustar con una señal 0-10V o bien con el mando con pantalla táctil (incluido) o con un sensor de CO₂, temperatura o humedad relativa (accesorios).
CAV - caudal constante.
Selección manual de 2 puntos de trabajo.
Los ventiladores están controlados por separado.
COP - presión constante.
La presión se mide con un sensor de presión externo (accesorio) montado en el tubo de aspiración o descarga.

REFERENCIA

| | | | | | | | | | | | | | | | |
|---|---|---|---|---|---|---|---|---|-----|---|----|---|----|---|----|
| R | H | E | - | 2 | 5 | 0 | 0 | - | HDR | - | DC | - | OI | - | SO |
| 1 | | | | 2 | | | | | 3 | | 4 | | 5 | | 6 |

- 1 - Serie
- 2 - Tamaño
- 3 - Control:
 - HDR: Conexiones horizontales. Lado aire interior a la derecha.
 - HDL: Conexiones horizontales. Lado aire interior a la izquierda.
 - VDR: Conexiones superiores. Lado aire interior a la derecha.
 - VDL: Conexiones superiores. Lado aire interior a la izquierda.
- 4 -
 - D: Gama standard.
 - DI: Gama con batería eléctrica incorporada.
 - DC: Gama con batería de agua caliente incorporada.
 - DFR: Gama con batería de agua reversible de 2 filas, incorporada.
 - DFR4R: Gama con batería de agua reversible de 4 filas, incorporada.
 - DC/DF: Gama con 2 baterías independientes integradas (agua fría y agua caliente).
 - DX: Gama con batería de expansión directa integrada.
- 5 -
 - Ø: Sin tejadillo.
 - OI: Con tejadillo para intemperie.
- 6 -
 - Ø: Intercambiador rotativo de aluminio (Std.).
 - SO: Intercambiador rotativo de sorción (Entálpico).



Recuperación de calor

RHE - gama estándar

RHE-SO - gama con rueda de adsorción

Modelos D-DC-DFR-DC/DF-DX

| Modelo | Motor del recuperador rotativo (1) | | | Motor ventilador (2) | | | | Datos unidad completa | | |
|-----------|------------------------------------|----------------------|-----------------------|----------------------|-----------------|-------------------------------|-----------------------|-----------------------|----------------------|-----------------------|
| | Alimentación (V) | Potencia nominal (W) | Intensidad máxima (A) | Alimentación (V) | Frecuencia (Hz) | Potencia máxima absorbida (W) | Intensidad máxima (A) | Alimentación (V) | Potencia máxima (kW) | Intensidad máxima (A) |
| RHE 700 | 230 V monofásico | 40 | 0,2 | 230 V monofásico | 50/60 | 200 | 1,6 | 230 V monofásico | 1 | 4,2 |
| RHE 1300 | 230 V monofásico | 40 | 0,2 | 230 V monofásico | 50/60 | 700 | 3 | 230 V monofásico | 2 | 7,3 |
| RHE 1900 | 230 V monofásico | 40 | 0,2 | 230 V monofásico | 50/60 | 715 | 3,1 | 230 V monofásico | 2 | 7,5 |
| RHE 2500 | 400 V trifásico | 55 | 0,28 | 400 V trifásico | 50/60 | 1000 | 1,6 | 400 V trifásico + N | 3 | 4,5 |
| RHE 3500 | 400 V trifásico | 55 | 0,28 | 400 V trifásico | 50/60 | 1000 | 1,7 | 400 V trifásico + N | 3 | 4,6 |
| RHE 4500 | 400 V trifásico | 55 | 0,28 | 400 V trifásico | 50/60 | 1850 | 2,9 | 400 V trifásico + N | 4 | 7,2 |
| RHE 6000 | 400 V trifásico | 55 | 0,28 | 400 V trifásico | 50/60 | 1850 | 2,9 | 400 V trifásico + N | 4 | 7,2 |
| RHE 8000 | 400 V trifásico | 120 | 0,35 | 400 V trifásico | 50/60 | 2730 | 4,2 | 400 V trifásico + N | 6 | 9,8 |
| RHE 10000 | 400 V trifásico | 120 | 0,35 | 400 V trifásico | 50/60 | 3000 | 4,6 | 400 V trifásico + N | 6,5 | 10,5 |
| RHE 15000 | 400 V trifásico | 180 | 1,11 | 400 V trifásico | 50/60 | 5000 | 7,7 | 400 V trifásico + N | 12 | 18,5 |

(1) Motor - cada unidad tiene un solo motor para el recuperador rotativo. (2) Datos para un ventilador - cada unidad tiene 2 ventiladores.

Modelos DI

| Modelo | Motor del recuperador rotativo (1) | | | Motor ventilador (2) | | | | Batería eléctrica | | Datos unidad completa | | |
|-----------|------------------------------------|----------------------|-----------------------|----------------------|-----------------|-------------------------------|-----------------------|-----------------------|-------------------------------|-----------------------|----------------------|-----------------------|
| | Alimentación (V) | Potencia nominal (W) | Intensidad máxima (A) | Alimentación (V) | Frecuencia (Hz) | Potencia máxima absorbida (W) | Intensidad máxima (A) | Potencia batería (kW) | Intensidad máxima batería (A) | Alimentación (V) | Potencia máxima (kW) | Intensidad máxima (A) |
| RHE 700 | 230 V monofásico | 40 | 0,2 | 230 V monofásico | 50/60 | 200 | 1,6 | 3 | 13,1 | 230 V monofásico | 4 | 17,3 |
| RHE 1300 | 230 V monofásico | 40 | 0,2 | 230 V monofásico | 50/60 | 700 | 3 | 4 | 17,4 | 230 V monofásico | 6 | 24,6 |
| RHE 1900 | 230 V monofásico | 40 | 0,2 | 230 V monofásico | 50/60 | 715 | 3,1 | 8 | 34,8 | 230 V monofásico | 10 | 42,2 |
| RHE 2500 | 400 V trifásico | 55 | 0,28 | 400 V trifásico | 50/60 | 1000 | 1,6 | 12 | 17,3 | 400 V trifásico + N | 15 | 21,8 |
| RHE 3500 | 400 V trifásico | 55 | 0,28 | 400 V trifásico | 50/60 | 1000 | 1,7 | 15 | 21,7 | 400 V trifásico + N | 18 | 26,3 |
| RHE 4500 | 400 V trifásico | 55 | 0,28 | 400 V trifásico | 50/60 | 1850 | 2,9 | 15 | 21,7 | 400 V trifásico + N | 19 | 29 |
| RHE 6000 | 400 V trifásico | 55 | 0,28 | 400 V trifásico | 50/60 | 1850 | 2,9 | 24 | 34,7 | 400 V trifásico + N | 28 | 41,9 |
| RHE 8000 | 400 V trifásico | 120 | 0,35 | 400 V trifásico | 50/60 | 2730 | 4,2 | 36 | 52 | 400 V trifásico + N | 42 | 61,8 |
| RHE 10000 | 400 V trifásico | 120 | 0,35 | 400 V trifásico | 50/60 | 3000 | 4,6 | 48 | 69,3 | 400 V trifásico + N | 55 | 79,8 |
| RHE 15000 | 400 V trifásico | 180 | 1,11 | 400 V trifásico | 50/60 | 5000 | 7,7 | - | - | 400 V trifásico + N | 12 | 18,5 |
| | | | | | | | | - | - | 400 V trifásico | 72 | 104 |

(1) Motor - cada unidad tiene un solo motor para el recuperador rotativo. (2) Datos para un ventilador - cada unidad tiene 2 ventiladores.

RHE - gama estándar

RHE-D
Modelos sin calefacción añadida

| Código | Modelos | Grupo producto | Precio €/u. |
|------------|--------------------|----------------|-------------|
| 5153704800 | RHE 700 HDR D | E08 | 14.758,91 |
| 5153707000 | RHE 700 HDL D | E08 | 14.758,91 |
| 5153706200 | RHE 700 HDR D OI | E08 | 15.397,51 |
| 5153707800 | RHE 700 HDL D OI | E08 | 15.397,51 |
| 5153705200 | RHE 700 VDR D | E08 | 15.511,94 |
| 5153183500 | RHE 700 VDL D | E08 | 15.511,94 |
| 5153530100 | RHE 1300 HDR D | E08 | 16.855,16 |
| 5153693600 | RHE 1300 HDL D | E08 | 16.855,16 |
| 5153531700 | RHE 1300 HDR D OI | E08 | 17.426,57 |
| 5153695200 | RHE 1300 HDL D OI | E08 | 17.426,57 |
| 5153533300 | RHE 1300 VDR D | E08 | 17.729,58 |
| 5153183800 | RHE 1300 VDL D | E08 | 17.729,58 |
| 5153530200 | RHE 1900 HDR D | E08 | 18.312,36 |
| 5153693700 | RHE 1900 HDL D | E08 | 18.312,36 |
| 5153531800 | RHE 1900 HDR D OI | E08 | 18.968,41 |
| 5153695300 | RHE 1900 HDL D OI | E08 | 18.968,41 |
| 5153533400 | RHE 1900 VDR D | E08 | 19.227,99 |
| 5153184100 | RHE 1900 VDL D | E08 | 19.227,99 |
| 5153530300 | RHE 2500 HDR D | E08 | 21.985,56 |
| 5153693800 | RHE 2500 HDL D | E08 | 21.985,56 |
| 5153531900 | RHE 2500 HDR D OI | E08 | 22.756,26 |
| 5153695400 | RHE 2500 HDL D OI | E08 | 22.756,26 |
| 5153533500 | RHE 2500 VDR D | E08 | 23.084,83 |
| 5153184400 | RHE 2500 VDL D | E08 | 23.084,83 |
| 5153530400 | RHE 3500 HDR D | E08 | 25.472,48 |
| 5153693900 | RHE 3500 HDL D | E08 | 25.472,48 |
| 5153532000 | RHE 3500 HDR D OI | E08 | 26.379,10 |
| 5153695500 | RHE 3500 HDL D OI | E08 | 26.379,10 |
| 5153533600 | RHE 3500 VDR D | E08 | 26.746,10 |
| 5153184700 | RHE 3500 VDL D | E08 | 26.746,10 |
| 5153705500 | RHE 4500 HDR D | E08 | 28.019,71 |
| 5153707400 | RHE 4500 HDL D | E08 | 28.019,71 |
| 5153706600 | RHE 4500 HDR D OI | E08 | 29.017,01 |
| 5153708200 | RHE 4500 HDL D OI | E08 | 29.017,01 |
| 5153705900 | RHE 4500 VDR D | E08 | 29.420,70 |
| 5153185000 | RHE 4500 VDL D | E08 | 29.420,70 |
| 5153575000 | RHE 6000 HDR D | E08 | 30.824,10 |
| 5153696800 | RHE 6000 HDL D | E08 | 30.824,10 |
| 5153575100 | RHE 6000 HDR D OI | E08 | 31.801,77 |
| 5153696900 | RHE 6000 HDL D OI | E08 | 31.801,77 |
| 5153575200 | RHE 8000 HDR D | E08 | 38.019,57 |
| 5153697000 | RHE 8000 HDL D | E08 | 38.019,57 |
| 5153575300 | RHE 8000 HDR D OI | E08 | 39.184,09 |
| 5153697100 | RHE 8000 HDL D OI | E08 | 39.184,09 |
| 5153666300 | RHE 10000 HDR D | E08 | 39.222,15 |
| 5153698400 | RHE 10000 HDL D | E08 | 39.222,15 |
| 5153666700 | RHE 10000 HDR D OI | E08 | 40.375,38 |
| 5153698800 | RHE 10000 HDL D OI | E08 | 40.375,38 |
| 5153142100 | RHE 15000 HDR D | E08 | 67.622,72 |
| 5153142700 | RHE 15000 HDL D | E08 | 67.622,72 |
| 5153143300 | RHE 15000 HDR D OI | E08 | 70.110,25 |
| 5153143900 | RHE 15000 HDL D OI | E08 | 70.110,25 |

(N) NOVEDAD

RHE-DI
Modelos con batería eléctrica

| Código | Modelos | Grupo producto | Precio €/u. |
|------------|---------------------|----------------|-------------|
| 5153704900 | RHE 700 HDR DI | E08 | 15.543,48 |
| 5153707100 | RHE 700 HDL DI | E08 | 15.543,48 |
| 5153706300 | RHE 700 HDR DI OI | E08 | 16.181,62 |
| 5153707900 | RHE 700 HDL DI OI | E08 | 16.181,62 |
| 5153705300 | RHE 700 VDR DI | E08 | 16.320,64 |
| 5153183600 | RHE 700 VDL DI | E08 | 16.320,64 |
| 5153530500 | RHE 1300 HDR DI | E08 | 17.559,53 |
| 5153694000 | RHE 1300 HDL DI | E08 | 17.559,53 |
| 5153532100 | RHE 1300 HDR DI OI | E08 | 18.130,92 |
| 5153695600 | RHE 1300 HDL DI OI | E08 | 18.130,92 |
| 5153533700 | RHE 1300 VDR DI | E08 | 18.437,50 |
| 5153184000 | RHE 1300 VDL DI | E08 | 18.437,50 |
| 5153530600 | RHE 1900 HDR DI | E08 | 19.332,33 |
| 5153694100 | RHE 1900 HDL DI | E08 | 19.332,33 |
| 5153532200 | RHE 1900 HDR DI OI | E08 | 19.909,26 |
| 5153695700 | RHE 1900 HDL DI OI | E08 | 19.909,26 |
| 5153533800 | RHE 1900 VDR DI | E08 | 20.298,92 |
| 5153184300 | RHE 1900 VDL DI | E08 | 20.298,92 |
| 5153530700 | RHE 2500 HDR DI | E08 | 23.274,57 |
| 5153694200 | RHE 2500 HDL DI | E08 | 23.274,57 |
| 5153532300 | RHE 2500 HDR DI OI | E08 | 24.045,31 |
| 5153695800 | RHE 2500 HDL DI OI | E08 | 24.045,31 |
| 5153533900 | RHE 2500 VDR DI | E08 | 24.438,29 |
| 5153184600 | RHE 2500 VDL DI | E08 | 24.438,29 |
| 5153530800 | RHE 3500 HDR DI | E08 | 26.954,94 |
| 5153694300 | RHE 3500 HDL DI | E08 | 26.954,94 |
| 5153532400 | RHE 3500 HDR DI OI | E08 | 27.861,60 |
| 5153695900 | RHE 3500 HDL DI OI | E08 | 27.861,60 |
| 5153534000 | RHE 3500 VDR DI | E08 | 28.302,69 |
| 5153184900 | RHE 3500 VDL DI | E08 | 28.302,69 |
| 5153705600 | RHE 4500 HDR DI | E08 | 29.650,43 |
| 5153707500 | RHE 4500 HDL DI | E08 | 29.650,43 |
| 5153706700 | RHE 4500 HDR DI OI | E08 | 30.647,74 |
| 5153708300 | RHE 4500 HDL DI OI | E08 | 30.647,74 |
| 5153706000 | RHE 4500 VDR DI | E08 | 31.132,95 |
| 5153185200 | RHE 4500 VDL DI | E08 | 31.132,95 |
| 5153575400 | RHE 6000 HDR DI | E08 | 33.166,99 |
| 5153697200 | RHE 6000 HDL DI | E08 | 33.166,99 |
| 5153575500 | RHE 6000 HDR DI OI | E08 | 34.144,64 |
| 5153697300 | RHE 6000 HDL DI OI | E08 | 34.144,64 |
| 5153575600 | RHE 8000 HDR DI | E08 | 42.077,94 |
| 5153697400 | RHE 8000 HDL DI | E08 | 42.077,94 |
| 5153575700 | RHE 8000 HDR DI OI | E08 | 43.242,47 |
| 5153697500 | RHE 8000 HDL DI OI | E08 | 43.242,47 |
| 5153666400 | RHE 10000 HDR DI | E08 | 43.180,09 |
| 5153698500 | RHE 10000 HDL DI | E08 | 43.180,09 |
| 5153666800 | RHE 10000 HDR DI OI | E08 | 44.333,31 |
| 5153698900 | RHE 10000 HDL DI OI | E08 | 44.333,31 |
| 5153142200 | RHE 15000 HDR DI | E08 | 76.927,70 |
| 5153142800 | RHE 15000 HDL DI | E08 | 76.927,70 |
| 5153143400 | RHE 15000 HDR DI OI | E08 | 79.418,62 |
| 5153144000 | RHE 15000 HDL DI OI | E08 | 79.418,62 |

(N) NOVEDAD

RHE-DC

Modelos con batería de agua caliente

| Código | Modelos | Grupo producto | Precio €/u. |
|----------------|---------------------|----------------|-------------|
| 5153705000 | RHE 700 HDR DC | E08 | 15.528,45 |
| 5153707200 | RHE 700 HDL DC | E08 | 15.528,45 |
| 5153706400 | RHE 700 HDR DC OI | E08 | 16.166,98 |
| 5153708000 | RHE 700 HDL DC OI | E08 | 16.166,98 |
| 5153705400 | RHE 700 VDR DC | E08 | 16.304,87 |
| (N) 5153183700 | RHE 700 VDL DC | E08 | 16.304,87 |
| 5153530900 | RHE 1300 HDR DC | E08 | 17.559,53 |
| 5153694400 | RHE 1300 HDL DC | E08 | 17.559,53 |
| 5153532500 | RHE 1300 HDR DC OI | E08 | 18.130,92 |
| 5153696000 | RHE 1300 HDL DC OI | E08 | 18.130,92 |
| 5153534100 | RHE 1300 VDR DC | E08 | 18.437,50 |
| (N) 5153183900 | RHE 1300 VDL DC | E08 | 18.437,50 |
| 5153531000 | RHE 1900 HDR DC | E08 | 19.332,33 |
| 5153694500 | RHE 1900 HDL DC | E08 | 19.332,33 |
| 5153532600 | RHE 1900 HDR DC OI | E08 | 19.909,26 |
| 5153696100 | RHE 1900 HDL DC OI | E08 | 19.909,26 |
| 5153534200 | RHE 1900 VDR DC | E08 | 20.298,92 |
| (N) 5153184200 | RHE 1900 VDL DC | E08 | 20.298,92 |
| 5153531100 | RHE 2500 HDR DC | E08 | 22.831,62 |
| 5153694600 | RHE 2500 HDL DC | E08 | 22.831,62 |
| 5153532700 | RHE 2500 HDR DC OI | E08 | 23.602,38 |
| 5153696200 | RHE 2500 HDL DC OI | E08 | 23.602,38 |
| 5153534300 | RHE 2500 VDR DC | E08 | 23.973,21 |
| (N) 5153184500 | RHE 2500 VDL DC | E08 | 23.973,21 |
| 5153531200 | RHE 3500 HDR DC | E08 | 26.731,18 |
| 5153694700 | RHE 3500 HDL DC | E08 | 26.731,18 |
| 5153532800 | RHE 3500 HDR DC OI | E08 | 27.637,76 |
| 5153696300 | RHE 3500 HDL DC OI | E08 | 27.637,76 |
| 5153534400 | RHE 3500 VDR DC | E08 | 28.067,76 |
| (N) 5153184800 | RHE 3500 VDL DC | E08 | 28.067,76 |
| 5153705700 | RHE 4500 HDR DC | E08 | 29.404,31 |
| 5153707600 | RHE 4500 HDL DC | E08 | 29.404,31 |
| 5153706800 | RHE 4500 HDR DC OI | E08 | 30.401,55 |
| 5153708400 | RHE 4500 HDL DC OI | E08 | 30.401,55 |
| 5153706100 | RHE 4500 VDR DC | E08 | 30.874,55 |
| (N) 5153185100 | RHE 4500 VDL DC | E08 | 30.874,55 |
| 5153575800 | RHE 6000 HDR DC | E08 | 32.006,76 |
| 5153697600 | RHE 6000 HDL DC | E08 | 32.006,76 |
| 5153575900 | RHE 6000 HDR DC OI | E08 | 32.984,43 |
| 5153697700 | RHE 6000 HDL DC OI | E08 | 32.984,43 |
| 5153576000 | RHE 8000 HDR DC | E08 | 39.767,87 |
| 5153697800 | RHE 8000 HDL DC | E08 | 39.767,87 |
| 5153576100 | RHE 8000 HDR DC OI | E08 | 40.932,39 |
| 5153697900 | RHE 8000 HDL DC OI | E08 | 40.932,39 |
| 5153666500 | RHE 10000 HDR DC | E08 | 40.985,80 |
| 5153698600 | RHE 10000 HDL DC | E08 | 40.985,80 |
| 5153666900 | RHE 10000 HDR DC OI | E08 | 42.139,03 |
| 5153699000 | RHE 10000 HDL DC OI | E08 | 42.139,03 |
| 5153142300 | RHE 15000 HDR DC | E08 | 71.144,71 |
| 5153142900 | RHE 15000 HDL DC | E08 | 71.144,71 |
| 5153143500 | RHE 15000 HDR DC OI | E08 | 73.632,95 |
| 5153144100 | RHE 15000 HDL DC OI | E08 | 73.632,95 |

(N) NOVEDAD

RHE-DFR

Modelos con batería reversible

| Código | Modelos | Grupo producto | Precio €/u. |
|------------|------------------------|----------------|-------------|
| 5153705100 | RHE 700 HDR DFR | E08 | 16.089,12 |
| 5153707300 | RHE 700 HDL DFR | E08 | 16.089,12 |
| 5153706500 | RHE 700 HDR DFR OI | E08 | 16.727,70 |
| 5153708100 | RHE 700 HDL DFR OI | E08 | 16.727,70 |
| 5153531300 | RHE 1300 HDR DFR | E08 | 18.132,58 |
| 5153694800 | RHE 1300 HDL DFR | E08 | 18.132,58 |
| 5153532900 | RHE 1300 HDR DFR OI | E08 | 18.703,71 |
| 5153696400 | RHE 1300 HDL DFR OI | E08 | 18.703,71 |
| 5153531400 | RHE 1900 HDR DFR | E08 | 20.065,49 |
| 5153694900 | RHE 1900 HDL DFR | E08 | 20.065,49 |
| 5153533000 | RHE 1900 HDR DFR OI | E08 | 20.642,21 |
| 5153696500 | RHE 1900 HDL DFR OI | E08 | 20.642,21 |
| 5153531500 | RHE 2500 HDR DFR | E08 | 23.471,55 |
| 5153695000 | RHE 2500 HDL DFR | E08 | 23.471,55 |
| 5153533100 | RHE 2500 HDR DFR OI | E08 | 24.242,30 |
| 5153696600 | RHE 2500 HDL DFR OI | E08 | 24.242,30 |
| 5153531600 | RHE 3500 HDR DFR | E08 | 27.491,38 |
| 5153695100 | RHE 3500 HDL DFR | E08 | 27.491,38 |
| 5153533200 | RHE 3500 HDR DFR OI | E08 | 28.398,01 |
| 5153696700 | RHE 3500 HDL DFR OI | E08 | 28.398,01 |
| 5153705800 | RHE 4500 HDR DFR | E08 | 30.240,52 |
| 5153707700 | RHE 4500 HDL DFR | E08 | 30.240,52 |
| 5153706900 | RHE 4500 HDR DFR OI | E08 | 31.237,81 |
| 5153708500 | RHE 4500 HDL DFR OI | E08 | 31.237,81 |
| 5153576200 | RHE 6000 HDR DFR | E08 | 32.873,84 |
| 5153849700 | RHE 6000 HDR DFR4R | E08 | 33.202,58 |
| 5153698000 | RHE 6000 HDL DFR | E08 | 32.873,84 |
| 5153850300 | RHE 6000 HDL DFR4R | E08 | 33.202,58 |
| 5153576300 | RHE 6000 HDR DFR OI | E08 | 33.851,50 |
| 5153850000 | RHE 6000 HDR DFR4R OI | E08 | 34.190,02 |
| 5153698100 | RHE 6000 HDL DFR OI | E08 | 33.851,50 |
| 5153850600 | RHE 6000 HDL DFR4R OI | E08 | 34.190,02 |
| 5153576400 | RHE 8000 HDR DFR | E08 | 40.381,54 |
| 5153849800 | RHE 8000 HDR DFR4R | E08 | 40.785,36 |
| 5153698200 | RHE 8000 HDL DFR | E08 | 40.381,54 |
| 5153850400 | RHE 8000 HDL DFR4R | E08 | 40.785,36 |
| 5153576500 | RHE 8000 HDR DFR OI | E08 | 41.546,04 |
| 5153850100 | RHE 8000 HDR DFR4R OI | E08 | 41.961,52 |
| 5153698300 | RHE 8000 HDL DFR OI | E08 | 41.546,04 |
| 5153850700 | RHE 8000 HDL DFR4R OI | E08 | 41.961,52 |
| 5153666600 | RHE 10000 HDR DFR | E08 | 41.964,97 |
| 5153849900 | RHE 10000 HDR DFR4R | E08 | 42.384,63 |
| 5153698700 | RHE 10000 HDL DFR | E08 | 41.964,97 |
| 5153850500 | RHE 10000 HDL DFR4R | E08 | 42.384,63 |
| 5153667000 | RHE 10000 HDR DFR OI | E08 | 43.118,22 |
| 5153850200 | RHE 10000 HDR DFR4R OI | E08 | 43.549,39 |
| 5153699100 | RHE 10000 HDL DFR OI | E08 | 43.118,22 |
| 5153850800 | RHE 10000 HDL DFR4R OI | E08 | 43.549,39 |

RHE-DFR (continuación)

Modelos con batería reversible

| Código | Modelos | Grupo producto | Precio €/u. |
|------------|------------------------|----------------|------------------|
| 5134142400 | RHE 15000 HDR DFR | E08 | 72.273,03 |
| 5153142600 | RHE 15000 HDR DFR4R | E08 | 75.136,87 |
| 5153143000 | RHE 15000 HDL DFR | E08 | 72.273,03 |
| 5153143200 | RHE 15000 HDL DFR4R | E08 | 72.995,75 |
| 5153143600 | RHE 15000 HDR DFR OI | E08 | 74.392,95 |
| 5153143800 | RHE 15000 HDR DFR4R OI | E08 | 72.995,75 |
| 5153144200 | RHE 15000 HDL DFR OI | E08 | 74.392,95 |
| 5153144400 | RHE 15000 HDL DFR4R OI | E08 | 75.136,86 |

RHE-DC/DF

Modelos con 2 baterías independientes integradas (agua fría y agua caliente).

| Código | Modelos | Grupo producto | Precio €/u. |
|------------|------------------------|----------------|------------------|
| 5153719900 | RHE 6000 HDR DC/DF | E08 | 35.078,24 |
| 5153720500 | RHE 6000 HDL DC/DF | E08 | 35.078,24 |
| 5153720200 | RHE 6000 HDR DC/DF OI | E08 | 36.387,06 |
| 5153720800 | RHE 6000 HDL DC/DF OI | E08 | 36.387,06 |
| 5153720000 | RHE 8000 HDR DC/DF | E08 | 45.141,01 |
| 5153720600 | RHE 8000 HDL DC/DF | E08 | 45.141,01 |
| 5153720300 | RHE 8000 HDR DC/DF OI | E08 | 46.340,48 |
| 5153720900 | RHE 8000 HDL DC/DF OI | E08 | 46.340,48 |
| 5153720100 | RHE 10000 HDR DC/DF | E08 | 46.803,87 |
| 5153720700 | RHE 10000 HDL DC/DF | E08 | 46.803,87 |
| 5153720400 | RHE 10000 HDR DC/DF OI | E08 | 48.207,77 |
| 5153721000 | RHE 10000 HDL DC/DF OI | E08 | 48.207,77 |
| 5153142500 | RHE 15000 HDR DC/DF | E08 | 76.685,21 |
| 5153143100 | RHE 15000 HDL DC/DF | E08 | 76.685,21 |
| 5153143700 | RHE 15000 HDR DC/DF OI | E08 | 79.164,35 |
| 5153144300 | RHE 15000 HDL DC/DF OI | E08 | 79.164,35 |

RHE-DX

Modelos con batería de expansión directa integrada

| Código | Modelos | Grupo producto | Precio €/u. |
|------------|---------------------|----------------|-------------|
| 5153848400 | RHE 700 HDR DX | E08 | 16.706,02 |
| 5153848000 | RHE 700 HDL DX | E08 | 16.706,02 |
| 5153848500 | RHE 700 HDR DX OI | E08 | 17.374,27 |
| 5153848100 | RHE 700 HDL DX OI | E08 | 17.374,27 |
| 5153843600 | RHE 1300 HDR DX | E08 | 18.876,42 |
| 5153843200 | RHE 1300 HDL DX | E08 | 18.876,42 |
| 5153843700 | RHE 1300 HDR DX OI | E08 | 19.442,71 |
| 5153843300 | RHE 1300 HDL DX OI | E08 | 19.442,71 |
| 5153844400 | RHE 1900 HDR DX | E08 | 20.822,07 |
| 5153844000 | RHE 1900 HDL DX | E08 | 20.822,07 |
| 5153844500 | RHE 1900 HDR DX OI | E08 | 21.446,74 |
| 5153844100 | RHE 1900 HDL DX OI | E08 | 21.446,74 |
| 5153845200 | RHE 2500 HDR DX | E08 | 24.954,32 |
| 5153844800 | RHE 2500 HDL DX | E08 | 24.954,32 |
| 5153845300 | RHE 2500 HDR DX OI | E08 | 25.702,95 |
| 5153844900 | RHE 2500 HDL DX OI | E08 | 25.702,95 |
| 5153846000 | RHE 3500 HDR DX | E08 | 26.829,02 |
| 5153845600 | RHE 3500 HDL DX | E08 | 26.829,02 |
| 5153846100 | RHE 3500 HDR DX OI | E08 | 27.633,87 |
| 5153845700 | RHE 3500 HDL DX OI | E08 | 27.633,87 |
| 5153846800 | RHE 4500 HDR DX | E08 | 29.511,93 |
| 5153846400 | RHE 4500 HDL DX | E08 | 29.511,93 |
| 5153846900 | RHE 4500 HDR DX OI | E08 | 30.397,26 |
| 5153846500 | RHE 4500 HDL DX OI | E08 | 30.397,26 |
| 5153847600 | RHE 6000 HDR DX | E08 | 34.553,33 |
| 5153847200 | RHE 6000 HDL DX | E08 | 34.553,33 |
| 5153847700 | RHE 6000 HDR DX OI | E08 | 35.589,95 |
| 5153847300 | RHE 6000 HDL DX OI | E08 | 35.589,95 |
| 5153849200 | RHE 8000 HDR DX | E08 | 43.242,40 |
| 5153848800 | RHE 8000 HDL DX | E08 | 43.242,40 |
| 5153849300 | RHE 8000 HDR DX OI | E08 | 44.539,66 |
| 5153848900 | RHE 8000 HDL DX OI | E08 | 44.539,66 |
| 5153842800 | RHE 10000 HDR DX | E08 | 48.656,57 |
| 5153842400 | RHE 10000 HDL DX | E08 | 48.656,57 |
| 5153842900 | RHE 10000 HDR DX OI | E08 | 50.116,27 |
| 5153842500 | RHE 10000 HDL DX OI | E08 | 50.116,27 |

RHE-SO - gama con rueda de adsorción

RHE-D SO
Modelos sin calefacción añadida

| Código | Modelos | Grupo producto | Precio €/u. |
|------------|-----------------------|----------------|-------------|
| 5153709900 | RHE 700 HDR D SO | E08 | 15.458,55 |
| 5153709100 | RHE 700 HDL D SO | E08 | 15.458,55 |
| 5153710000 | RHE 700 HDR D OI SO | E08 | 16.097,12 |
| 5153709200 | RHE 700 HDL D OI SO | E08 | 16.097,12 |
| 5153710700 | RHE 700 VDR D SO | E08 | 16.245,77 |
| 5153186500 | RHE 700 VDL D SO | E08 | 16.245,77 |
| 5153667700 | RHE 1300 HDR D SO | E08 | 17.777,72 |
| 5153699600 | RHE 1300 HDL D SO | E08 | 17.777,72 |
| 5153670900 | RHE 1300 HDR D OI SO | E08 | 18.338,63 |
| 5153701600 | RHE 1300 HDL D OI SO | E08 | 18.338,63 |
| 5153668100 | RHE 1300 VDR D SO | E08 | 18.666,62 |
| 5153185300 | RHE 1300 VDL D SO | E08 | 18.666,62 |
| 5153668400 | RHE 1900 HDR D SO | E08 | 18.997,65 |
| 5153700000 | RHE 1900 HDL D SO | E08 | 18.997,65 |
| 5153671700 | RHE 1900 HDR D OI SO | E08 | 19.696,22 |
| 5153702400 | RHE 1900 HDL D OI SO | E08 | 19.696,22 |
| 5153668800 | RHE 1900 VDR D SO | E08 | 19.947,49 |
| 5153185600 | RHE 1900 VDL D SO | E08 | 19.947,49 |
| 5153669100 | RHE 2500 HDR D SO | E08 | 22.600,97 |
| 5153700400 | RHE 2500 HDL D SO | E08 | 22.600,97 |
| 5153672500 | RHE 2500 HDR D OI SO | E08 | 23.365,03 |
| 5153703200 | RHE 2500 HDL D OI SO | E08 | 23.365,03 |
| 5153669500 | RHE 2500 VDR D SO | E08 | 23.730,99 |
| 5153185900 | RHE 2500 VDL D SO | E08 | 23.730,99 |
| 5153669800 | RHE 3500 HDR D SO | E08 | 26.247,98 |
| 5153700800 | RHE 3500 HDL D SO | E08 | 26.247,98 |
| 5153672900 | RHE 3500 HDR D OI SO | E08 | 27.241,52 |
| 5153703600 | RHE 3500 HDL D OI SO | E08 | 27.241,52 |
| 5153670200 | RHE 3500 VDR D SO | E08 | 27.560,38 |
| 5153186200 | RHE 3500 VDL D SO | E08 | 27.560,38 |
| 5153711800 | RHE 4500 HDR D SO | E08 | 29.420,71 |
| 5153711000 | RHE 4500 HDL D SO | E08 | 29.420,71 |
| 5153712300 | RHE 4500 HDR D OI SO | E08 | 30.467,85 |
| 5153711100 | RHE 4500 HDL D OI SO | E08 | 30.467,85 |
| 5153712600 | RHE 4500 VDR D SO | E08 | 30.891,74 |
| 5153186600 | RHE 4500 VDL D SO | E08 | 30.891,74 |
| 5153670500 | RHE 6000 HDR D SO | E08 | 31.799,38 |
| 5153701200 | RHE 6000 HDL D SO | E08 | 31.799,38 |
| 5153673300 | RHE 6000 HDR D OI SO | E08 | 32.759,27 |
| 5153704000 | RHE 6000 HDL D OI SO | E08 | 32.759,27 |
| 5153667100 | RHE 8000 HDR D SO | E08 | 39.159,67 |
| 5153699200 | RHE 8000 HDL D SO | E08 | 39.159,67 |
| 5153673700 | RHE 8000 HDR D OI SO | E08 | 40.261,69 |
| 5153704400 | RHE 8000 HDL D OI SO | E08 | 40.261,69 |
| 5153671300 | RHE 10000 HDR D SO | E08 | 40.507,18 |
| 5153702000 | RHE 10000 HDL D SO | E08 | 40.507,18 |
| 5153672100 | RHE 10000 HDR D OI SO | E08 | 41.330,28 |
| 5153702800 | RHE 10000 HDL D OI SO | E08 | 41.330,28 |
| 5153144500 | RHE 15000 HDR D SO | E08 | 71.003,86 |
| 5153145100 | RHE 15000 HDL D SO | E08 | 71.003,86 |
| 5153145700 | RHE 15000 HDR D OI SO | E08 | 73.615,77 |
| 5153146300 | RHE 15000 HDL D OI SO | E08 | 73.615,77 |

(N) NOVEDAD

RHE-DI SO
Modelos con batería eléctrica

| Código | Modelos | Grupo producto | Precio €/u. |
|------------|------------------------|----------------|-------------|
| 5153710300 | RHE 700 HDR DI SO | E08 | 16.243,09 |
| 5153709700 | RHE 700 HDL DI SO | E08 | 16.243,09 |
| 5153710400 | RHE 700 HDR DI OI SO | E08 | 16.882,41 |
| 5153709800 | RHE 700 HDL DI OI SO | E08 | 16.882,41 |
| 5153710900 | RHE 700 VDR DI SO | E08 | 17.055,26 |
| 5153186700 | RHE 700 VDL DI SO | E08 | 17.055,26 |
| 5153667800 | RHE 1300 HDR DI SO | E08 | 18.402,84 |
| 5153699700 | RHE 1300 HDL DI SO | E08 | 18.402,84 |
| 5153671000 | RHE 1300 HDR DI OI SO | E08 | 18.992,47 |
| 5153701700 | RHE 1300 HDL DI OI SO | E08 | 18.992,47 |
| 5153668200 | RHE 1300 VDR DI SO | E08 | 19.322,98 |
| 5153185500 | RHE 1300 VDL DI SO | E08 | 19.322,98 |
| 5153668500 | RHE 1900 HDR DI SO | E08 | 19.951,53 |
| 5153700100 | RHE 1900 HDL DI SO | E08 | 19.951,53 |
| 5153671800 | RHE 1900 HDR DI OI SO | E08 | 20.568,09 |
| 5153702500 | RHE 1900 HDL DI OI SO | E08 | 20.568,09 |
| 5153668900 | RHE 1900 VDR DI SO | E08 | 20.949,13 |
| 5153185800 | RHE 1900 VDL DI SO | E08 | 20.949,13 |
| 5153669200 | RHE 2500 HDR DI SO | E08 | 23.851,94 |
| 5153700500 | RHE 2500 HDL DI SO | E08 | 23.851,94 |
| 5153672600 | RHE 2500 HDR DI OI SO | E08 | 24.616,12 |
| 5153703300 | RHE 2500 HDL DI OI SO | E08 | 24.616,12 |
| 5153669600 | RHE 2500 VDR DI SO | E08 | 25.044,51 |
| 5153186100 | RHE 2500 VDL DI SO | E08 | 25.044,51 |
| 5153669900 | RHE 3500 HDR DI SO | E08 | 27.682,18 |
| 5153700900 | RHE 3500 HDL DI SO | E08 | 27.682,18 |
| 5153673000 | RHE 3500 HDR DI OI SO | E08 | 28.675,73 |
| 5153703700 | RHE 3500 HDL DI OI SO | E08 | 28.675,73 |
| 5153670300 | RHE 3500 VDR DI SO | E08 | 29.066,32 |
| 5153186400 | RHE 3500 VDL DI SO | E08 | 29.066,32 |
| 5153712200 | RHE 4500 HDR DI SO | E08 | 31.132,95 |
| 5153711600 | RHE 4500 HDL DI SO | E08 | 31.132,95 |
| 5153712500 | RHE 4500 HDR DI OI SO | E08 | 32.180,15 |
| 5153711700 | RHE 4500 HDL DI OI SO | E08 | 32.180,15 |
| 5153712800 | RHE 4500 VDR DI SO | E08 | 32.689,61 |
| 5153186800 | RHE 4500 VDL DI SO | E08 | 32.689,61 |
| 5153670600 | RHE 6000 HDR DI SO | E08 | 33.801,50 |
| 5153701300 | RHE 6000 HDL DI SO | E08 | 33.801,50 |
| 5153673400 | RHE 6000 HDR DI OI SO | E08 | 34.763,74 |
| 5153704100 | RHE 6000 HDL DI OI SO | E08 | 34.763,74 |
| 5153667200 | RHE 8000 HDR DI SO | E08 | 42.874,81 |
| 5153699300 | RHE 8000 HDL DI SO | E08 | 42.874,81 |
| 5153673800 | RHE 8000 HDR DI OI SO | E08 | 44.032,56 |
| 5153704500 | RHE 8000 HDL DI OI SO | E08 | 44.032,56 |
| 5153671400 | RHE 10000 HDR DI SO | E08 | 44.041,18 |
| 5153702100 | RHE 10000 HDL DI SO | E08 | 44.041,18 |
| 5153672200 | RHE 10000 HDR DI OI SO | E08 | 45.190,72 |
| 5153702900 | RHE 10000 HDL DI OI SO | E08 | 45.190,72 |
| 5153144600 | RHE 15000 HDR DI SO | E08 | 80.774,07 |
| 5153145200 | RHE 15000 HDL DI SO | E08 | 80.774,07 |
| 5153145800 | RHE 15000 HDR DI OI SO | E08 | 83.389,56 |
| 5153146400 | RHE 15000 HDL DI OI SO | E08 | 83.389,56 |

(N) NOVEDAD

RHE-DC SO

Modelos con batería de agua caliente

| Código | Modelos | Grupo producto | Precio €/u. |
|----------------|------------------------|----------------|-------------|
| 5153710100 | RHE 700 HDR DC SO | E08 | 16.228,07 |
| 5153709300 | RHE 700 HDL DC SO | E08 | 16.228,07 |
| 5153710200 | RHE 700 HDR DC OI SO | E08 | 16.866,63 |
| 5153709400 | RHE 700 HDL DC OI SO | E08 | 16.866,63 |
| 5153710800 | RHE 700 VDR DC SO | E08 | 17.039,48 |
| (N) 5153186900 | RHE 700 VDL DC SO | E08 | 17.039,48 |
| 5153667900 | RHE 1300 HDR DC SO | E08 | 18.402,84 |
| 5153699800 | RHE 1300 HDL DC SO | E08 | 18.402,84 |
| 5153671100 | RHE 1300 HDR DC OI SO | E08 | 18.992,47 |
| 5153701800 | RHE 1300 HDL DC OI SO | E08 | 18.992,47 |
| 5153668300 | RHE 1300 VDR DC SO | E08 | 19.322,98 |
| (N) 5153185400 | RHE 1300 VDL DC SO | E08 | 19.322,98 |
| 5153668600 | RHE 1900 HDR DC SO | E08 | 19.951,53 |
| 5153700200 | RHE 1900 HDL DC SO | E08 | 19.951,53 |
| 5153671900 | RHE 1900 HDR DC OI SO | E08 | 20.568,09 |
| 5153702600 | RHE 1900 HDL DC OI SO | E08 | 20.568,09 |
| 5153669000 | RHE 1900 VDR DC SO | E08 | 20.949,13 |
| (N) 5153185700 | RHE 1900 VDL DC SO | E08 | 20.949,13 |
| 5153669300 | RHE 2500 HDR DC SO | E08 | 23.439,10 |
| 5153700600 | RHE 2500 HDL DC SO | E08 | 23.439,10 |
| 5153672700 | RHE 2500 HDR DC OI SO | E08 | 24.203,20 |
| 5153703400 | RHE 2500 HDL DC OI SO | E08 | 24.203,20 |
| 5153669700 | RHE 2500 VDR DC SO | E08 | 24.611,05 |
| (N) 5153186000 | RHE 2500 VDL DC SO | E08 | 24.611,05 |
| 5153670000 | RHE 3500 HDR DC SO | E08 | 27.519,01 |
| 5153701000 | RHE 3500 HDL DC SO | E08 | 27.519,01 |
| 5153673100 | RHE 3500 HDR DC OI SO | E08 | 28.512,57 |
| 5153703800 | RHE 3500 HDL DC OI SO | E08 | 28.512,57 |
| 5153670400 | RHE 3500 VDR DC SO | E08 | 28.894,98 |
| (N) 5153186300 | RHE 3500 VDL DC SO | E08 | 28.894,98 |
| 5153711900 | RHE 4500 HDR DC SO | E08 | 30.874,52 |
| 5153711200 | RHE 4500 HDL DC SO | E08 | 30.874,52 |
| 5153712400 | RHE 4500 HDR DC OI SO | E08 | 31.921,63 |
| 5153711300 | RHE 4500 HDL DC OI SO | E08 | 31.921,63 |
| 5153712700 | RHE 4500 VDR DC SO | E08 | 32.418,26 |
| (N) 5153187000 | RHE 4500 VDL DC SO | E08 | 32.418,26 |
| 5153670700 | RHE 6000 HDR DC SO | E08 | 32.989,12 |
| 5153701400 | RHE 6000 HDL DC SO | E08 | 32.989,12 |
| 5153673500 | RHE 6000 HDR DC OI SO | E08 | 33.949,12 |
| 5153704200 | RHE 6000 HDL DC OI SO | E08 | 33.949,12 |
| 5153667300 | RHE 8000 HDR DC SO | E08 | 40.786,14 |
| 5153699400 | RHE 8000 HDL DC SO | E08 | 40.786,14 |
| 5153673900 | RHE 8000 HDR DC OI SO | E08 | 41.943,88 |
| 5153704600 | RHE 8000 HDL DC OI SO | E08 | 41.943,88 |
| 5153671500 | RHE 10000 HDR DC SO | E08 | 41.987,96 |
| 5153702200 | RHE 10000 HDL DC SO | E08 | 41.987,96 |
| 5153672300 | RHE 10000 HDR DC OI SO | E08 | 43.138,00 |
| 5153703000 | RHE 10000 HDL DC OI SO | E08 | 43.138,00 |
| 5153144700 | RHE 15000 HDR DC SO | E08 | 74.701,95 |
| 5153145300 | RHE 15000 HDL DC SO | E08 | 74.701,95 |
| 5153145900 | RHE 15000 HDR DC OI SO | E08 | 77.314,61 |
| 5153146500 | RHE 15000 HDL DC OI SO | E08 | 77.314,61 |

(N) NOVEDAD

RHE-DFR SO

Modelos con batería reversible

| Código | Modelos | Grupo producto | Precio €/u. |
|------------|---------------------------|----------------|-------------|
| 5153710500 | RHE 700 HDR DFR SO | E08 | 16.896,38 |
| 5153709500 | RHE 700 HDL DFR SO | E08 | 16.896,38 |
| 5153710600 | RHE 700 HDR DFR OI SO | E08 | 17.534,96 |
| 5153709600 | RHE 700 HDL DFR OI SO | E08 | 17.534,96 |
| 5153668000 | RHE 1300 HDR DFR SO | E08 | 19.076,05 |
| 5153699900 | RHE 1300 HDL DFR SO | E08 | 19.076,05 |
| 5153671200 | RHE 1300 HDR DFR OI SO | E08 | 19.636,92 |
| 5153701900 | RHE 1300 HDL DFR OI SO | E08 | 19.636,92 |
| 5153668700 | RHE 1900 HDR DFR SO | E08 | 20.815,94 |
| 5153700300 | RHE 1900 HDL DFR SO | E08 | 20.815,94 |
| 5153672000 | RHE 1900 HDR DFR OI SO | E08 | 21.378,02 |
| 5153702700 | RHE 1900 HDL DFR OI SO | E08 | 21.378,02 |
| 5153669400 | RHE 2500 HDR DFR SO | E08 | 24.101,34 |
| 5153700700 | RHE 2500 HDL DFR SO | E08 | 24.101,34 |
| 5153672800 | RHE 2500 HDR DFR OI SO | E08 | 24.847,23 |
| 5153703500 | RHE 2500 HDL DFR OI SO | E08 | 24.847,23 |
| 5153670100 | RHE 3500 HDR DFR SO | E08 | 28.282,41 |
| 5153701100 | RHE 3500 HDL DFR SO | E08 | 28.282,41 |
| 5153673200 | RHE 3500 HDR DFR OI SO | E08 | 29.276,15 |
| 5153703900 | RHE 3500 HDL DFR OI SO | E08 | 29.276,15 |
| 5153712000 | RHE 4500 HDR DFR SO | E08 | 31.752,55 |
| 5153711400 | RHE 4500 HDL DFR SO | E08 | 31.752,55 |
| 5153712100 | RHE 4500 HDR DFR OI SO | E08 | 32.799,70 |
| 5153711500 | RHE 4500 HDL DFR OI SO | E08 | 32.799,70 |
| 5153670800 | RHE 6000 HDR DFR SO | E08 | 33.860,73 |
| 5153850900 | RHE 6000 HDR DFR4R SO | E08 | 35.169,08 |
| 5153701500 | RHE 6000 HDL DFR SO | E08 | 33.860,73 |
| 5153851500 | RHE 6000 HDL DFR4R SO | E08 | 34.199,32 |
| 5153673600 | RHE 6000 HDR DFR OI SO | E08 | 34.820,87 |
| 5153851200 | RHE 6000 HDR DFR4R OI SO | E08 | 34.199,32 |
| 5153704300 | RHE 6000 HDL DFR OI SO | E08 | 34.820,87 |
| 5153851800 | RHE 6000 HDL DFR4R OI SO | E08 | 35.169,08 |
| 5153667400 | RHE 8000 HDR DFR SO | E08 | 41.405,00 |
| 5153851000 | RHE 8000 HDR DFR4R SO | E08 | 41.819,07 |
| 5153699500 | RHE 8000 HDL DFR SO | E08 | 41.405,00 |
| 5153851600 | RHE 8000 HDL DFR4R SO | E08 | 41.819,07 |
| 5153674000 | RHE 8000 HDR DFR OI SO | E08 | 42.562,75 |
| 5153851300 | RHE 8000 HDR DFR4R OI SO | E08 | 42.988,37 |
| 5153704700 | RHE 8000 HDL DFR OI SO | E08 | 42.562,75 |
| 5153851900 | RHE 8000 HDL DFR4R OI SO | E08 | 42.988,37 |
| 5153671600 | RHE 10000 HDR DFR SO | E08 | 42.976,28 |
| 5153851100 | RHE 10000 HDR DFR4R SO | E08 | 43.406,05 |
| 5153702300 | RHE 10000 HDL DFR SO | E08 | 42.976,28 |
| 5153851700 | RHE 10000 HDL DFR4R SO | E08 | 43.406,05 |
| 5153672400 | RHE 10000 HDR DFR OI SO | E08 | 44.126,30 |
| 5153851400 | RHE 10000 HDR DFR4R OI SO | E08 | 44.567,57 |
| 5153703100 | RHE 10000 HDL DFR OI SO | E08 | 44.126,30 |
| 5153852000 | RHE 10000 HDL DFR4R OI SO | E08 | 44.567,57 |

RHE-DFR SO (continuación)

Modelos con batería reversible

| Código | Modelos | Grupo producto | Precio €/u. |
|------------|---------------------------|----------------|------------------|
| 5153144800 | RHE 15000 HDR DFR SO | E08 | 75.886,67 |
| 5153145000 | RHE 15000 HDR DFR4R SO | E08 | 76.645,55 |
| 5153145400 | RHE 15000 HDL DFR SO | E08 | 75.886,67 |
| 5153145600 | RHE 15000 HDL DFR4R SO | E08 | 76.645,55 |
| 5153146000 | RHE 15000 HDR DFR OI SO | E08 | 78.112,59 |
| 5153146200 | RHE 15000 HDR DFR4R OI SO | E08 | 78.893,73 |
| 5153146600 | RHE 15000 HDL DFR OI SO | E08 | 78.112,59 |
| 5153146800 | RHE 15000 HDL DFR4R OI SO | E08 | 78.893,73 |

RHE-DC/DF

Modelos con 2 baterías independientes integradas (agua fría y agua caliente).

| Código | Modelos | Grupo producto | Precio €/u. |
|------------|---------------------------|----------------|------------------|
| 5153740000 | RHE 6000 HDR DC/DF SO | E08 | 36.481,37 |
| 5153746000 | RHE 6000 HDL DC/DF SO | E08 | 36.481,37 |
| 5153743000 | RHE 6000 HDR DC/DF OI SO | E08 | 37.842,57 |
| 5153749000 | RHE 6000 HDL DC/DF OI SO | E08 | 37.842,57 |
| 5153741000 | RHE 8000 HDR DC/DF SO | E08 | 46.946,68 |
| 5153747000 | RHE 8000 HDL DC/DF SO | E08 | 46.946,68 |
| 5153744000 | RHE 8000 HDR DC/DF OI SO | E08 | 48.194,07 |
| 5153750000 | RHE 8000 HDL DC/DF OI SO | E08 | 48.194,07 |
| 5153742000 | RHE 10000 HDR DC/DF SO | E08 | 48.676,01 |
| 5153748000 | RHE 10000 HDL DC/DF SO | E08 | 48.676,01 |
| 5153745000 | RHE 10000 HDR DC/DF OI SO | E08 | 50.136,07 |
| 5153751000 | RHE 10000 HDL DC/DF OI SO | E08 | 50.136,07 |
| 5153144900 | RHE 15000 HDR DC/DF SO | E08 | 80.519,47 |
| 5153145500 | RHE 15000 HDL DC/DF SO | E08 | 80.519,45 |
| 5153146100 | RHE 15000 HDR DC/DF OI SO | E08 | 83.122,57 |
| 5153146700 | RHE 15000 HDL DC/DF OI SO | E08 | 83.122,56 |

RHE-DX

Modelos con batería de expansión directa integrada

| Código | Modelos | Grupo producto | Precio €/u. |
|------------|------------------------|----------------|------------------|
| 5153848700 | RHE 700 HDR DX SO | E08 | 17.374,27 |
| 5153848300 | RHE 700 HDL DX SO | E08 | 17.374,27 |
| 5153848600 | RHE 700 HDR DX OI SO | E08 | 18.069,24 |
| 5153848200 | RHE 700 HDL DX OI SO | E08 | 18.069,24 |
| 5153843900 | RHE 1300 HDR DX SO | E08 | 19.631,48 |
| 5153843500 | RHE 1300 HDL DX SO | E08 | 19.631,48 |
| 5153843800 | RHE 1300 HDR DX OI SO | E08 | 20.220,42 |
| 5153843400 | RHE 1300 HDL DX OI SO | E08 | 20.220,42 |
| 5153844700 | RHE 1900 HDR DX SO | E08 | 21.655,01 |
| 5153844300 | RHE 1900 HDL DX SO | E08 | 21.655,00 |
| 5153844600 | RHE 1900 HDR DX OI SO | E08 | 22.304,65 |
| 5153844200 | RHE 1900 HDL DX OI SO | E08 | 22.304,63 |
| 5153845500 | RHE 2500 HDR DX SO | E08 | 25.952,51 |
| 5153845100 | RHE 2500 HDL DX SO | E08 | 25.952,51 |
| 5153845400 | RHE 2500 HDR DX OI SO | E08 | 26.731,06 |
| 5153845000 | RHE 2500 HDL DX OI SO | E08 | 26.731,06 |
| 5153846300 | RHE 3500 HDR DX SO | E08 | 27.902,19 |
| 5153845900 | RHE 3500 HDL DX SO | E08 | 27.902,19 |
| 5153846200 | RHE 3500 HDR DX OI SO | E08 | 28.739,23 |
| 5153845800 | RHE 3500 HDL DX OI SO | E08 | 28.739,21 |
| 5153847100 | RHE 4500 HDR DX SO | E08 | 30.987,50 |
| 5153846700 | RHE 4500 HDL DX SO | E08 | 30.987,50 |
| 5153847000 | RHE 4500 HDR DX OI SO | E08 | 31.917,12 |
| 5153846600 | RHE 4500 HDL DX OI SO | E08 | 31.917,12 |
| 5153847900 | RHE 6000 HDR DX SO | E08 | 35.935,46 |
| 5153847500 | RHE 6000 HDL DX SO | E08 | 35.935,47 |
| 5153847800 | RHE 6000 HDR DX OI SO | E08 | 37.013,50 |
| 5153847400 | RHE 6000 HDL DX OI SO | E08 | 37.013,51 |
| 5153849600 | RHE 8000 HDR DX SO | E08 | 44.972,10 |
| 5153849100 | RHE 8000 HDL DX SO | E08 | 44.972,10 |
| 5153849500 | RHE 8000 HDR DX OI SO | E08 | 46.321,23 |
| 5153849000 | RHE 8000 HDL DX OI SO | E08 | 46.321,23 |
| 5153843100 | RHE 10000 HDR DX SO | E08 | 50.602,81 |
| 5153842700 | RHE 10000 HDL DX SO | E08 | 50.602,81 |
| 5153843000 | RHE 10000 HDR DX OI SO | E08 | 52.120,89 |
| 5153842600 | RHE 10000 HDL DX OI SO | E08 | 52.120,89 |

MIB - MIR



Módulo de mezclas instalado con unidad RHE

Módulos de mezclas para la Serie RHE. Se utilizan principalmente en instalaciones que combinan la ventilación con la calefacción y/o climatización, para optimizar aún más el ahorro energético de la instalación.

Versiones:

MIB L: acceso por el lado izquierdo, combinable con el RHE HDL.

MIB R: acceso por el lado derecho, combinable con el RHE HDR.

Amplias puertas con bisagras, que permiten un acceso fácil a los componentes. Construcción robusta consistente en una carcasa autoprotectora con panel sándwich de 50 mm (lana mineral, 40 kg/m³, conductividad térmica 0,037 W/mK).

Chapa exterior pintada en RAL7024, de gran resistencia contra corrosión (clase: RC3) y contra rayos UVA (clase: RUV3) según norma EN 10169 con la cara interior en acero galvanizado.

Conexiones circulares con juntas de estanqueidad clase D de VELODUCT® hasta el modelo 4.500, conexiones rectangulares para los modelos 6.000, 8.000 y 10.000.

Todos los módulos están equipados con Servomotores y con un transformador 230V/24V.

MIB OI: módulos para instalación en exterior (sólo para modelos 15000).

Tipos:

MIB ON-OFF

Utilizado cuando necesitamos recircular al 100% el aire de extracción durante un tiempo programado para poder calentar/enfriar el aire. El módulo funciona a través de la programación horaria, que se realiza con el control integrado en los RHE, una vez conectado. La temporización se debe efectuar sobre el canal 5 del temporizador. El módulo tiene 3 compuertas con los servomotores tipo todo/nada montados. Hay dos opciones de servomotores, el estándar y el SR que tiene un muelle de retorno que asegura que, en caso de corte de alimentación, se cierran las compuertas.

MIB 0-10V

Utilizado cuando cuando necesitamos recircular el aire de extracción durante un tiempo programado para poder calentar/enfriar el aire de manera proporcional dependiendo del CO₂. El módulo está equipado con un sensor CO₂ en la expulsión de aire y 3 compuertas con los servomotores proporcionales montados. El sensor CO₂ (rango entre 400 y 1100 ppm) mide permanentemente el nivel del CO₂ del aire de expulsión. Una señal proporcional es enviada a las compuertas para abrirlas/cerrarlas según la calidad del aire. Hay dos opciones de servomotores el proporcional (0-10V) estándar y el proporcional SR que tiene un muelle de retorno que asegura el cierre de las compuertas en caso de corte de la alimentación.

| Código | Modelos | Grupo producto | Precio €/u. |
|--------|---------|----------------|-------------|
|--------|---------|----------------|-------------|

Módulos de mezcla MIBL ON-OFF

| | | | |
|------------|-------------------------|-----|-----------|
| 5407045700 | MIBL 700/1300 ON-OFF | E08 | 3.636,24 |
| 5407046500 | MIBL 700/1300 ON-OFF SR | E08 | 4.309,80 |
| 5407045800 | MIBL 1900 ON-OFF | E08 | 4.036,69 |
| 5407046600 | MIBL 1900 ON-OFF SR | E08 | 4.710,25 |
| 5407045900 | MIBL 2500 ON-OFF | E08 | 4.295,44 |
| 5407046700 | MIBL 2500 ON-OFF SR | E08 | 4.968,99 |
| 5407046000 | MIBL 3500 ON-OFF | E08 | 4.789,50 |
| 5407046800 | MIBL 3500 ON-OFF SR | E08 | 5.463,05 |
| 5407046100 | MIBL 4500 ON-OFF | E08 | 4.798,13 |
| 5407046900 | MIBL 4500 ON-OFF SR | E08 | 5.471,68 |
| 5407046200 | MIBL 6000 ON-OFF | E08 | 5.716,31 |
| 5407047000 | MIBL 6000 ON-OFF SR | E08 | 6.264,55 |
| 5407046300 | MIBL 8000 ON-OFF | E08 | 6.511,05 |
| 5407047100 | MIBL 8000 ON-OFF SR | E08 | 7.059,30 |
| 5407046400 | MIBL 10000 ON-OFF | E08 | 7.262,15 |
| 5407047200 | MIBL 10000 ON-OFF SR | E08 | 7.810,28 |
| 5407035500 | MIBL 15000 ON-OFF | E08 | 14.952,12 |
| 5407035600 | MIBL 15000 ON-OFF SR | E08 | 15.712,84 |
| 5407073400 | MIBL 15000 ON-OFF OI | E08 | 15.979,50 |
| 5407073500 | MIBL 15000 ON-OFF SR OI | E08 | 16.740,25 |

| Código | Modelos | Grupo producto | Precio €/u. |
|--------|---------|----------------|-------------|
|--------|---------|----------------|-------------|

Módulos de mezcla MIBR ON-OFF

| | | | |
|------------|-------------------------|-----|-----------|
| 5407042500 | MIBR 700/1300 ON-OFF | E08 | 3.636,24 |
| 5407043300 | MIBR 700/1300 ON-OFF SR | E08 | 4.309,80 |
| 5407042600 | MIBR 1900 ON-OFF | E08 | 4.036,69 |
| 5407043400 | MIBR 1900 ON-OFF SR | E08 | 4.710,25 |
| 5407042700 | MIBR 2500 ON-OFF | E08 | 4.295,44 |
| 5407043500 | MIBR 2500 ON-OFF SR | E08 | 4.968,99 |
| 5407042800 | MIBR 3500 ON-OFF | E08 | 4.789,50 |
| 5407043600 | MIBR 3500 ON-OFF SR | E08 | 5.463,05 |
| 5407042900 | MIBR 4500 ON-OFF | E08 | 4.798,13 |
| 5407043700 | MIBR 4500 ON-OFF SR | E08 | 5.471,68 |
| 5407043000 | MIBR 6000 ON-OFF | E08 | 5.716,31 |
| 5407043800 | MIBR 6000 ON-OFF SR | E08 | 6.264,55 |
| 5407043100 | MIBR 8000 ON-OFF | E08 | 6.511,05 |
| 5407043900 | MIBR 8000 ON-OFF SR | E08 | 7.059,30 |
| 5407043200 | MIBR 10000 ON-OFF | E08 | 7.262,15 |
| 5407044000 | MIBR 10000 ON-OFF SR | E08 | 7.810,28 |
| 5407066900 | MIBR 15000 ON-OFF | E08 | 14.952,12 |
| 5407073100 | MIBR 15000 ON-OFF SR | E08 | 15.712,84 |
| 5407073800 | MIBR 15000 ON-OFF OI | E08 | 15.979,50 |
| 5407073900 | MIBR 15000 ON-OFF SR OI | E08 | 16.740,25 |

| Código | Modelos | Grupo producto | Precio €/u. |
|------------------------------|------------------------|----------------|------------------|
| Módulos de mezcla MIBL 0-10V | | | |
| 5407047300 | MIBL 700/1300 0-10V | E08 | 4.363,48 |
| 5407048100 | MIBL 700/1300 0-10V SR | E08 | 5.171,76 |
| 5407047400 | MIBL 1900 0-10V | E08 | 4.844,03 |
| 5407048200 | MIBL 1900 0-10V SR | E08 | 5.652,32 |
| 5407047500 | MIBL 2500 0-10V | E08 | 5.154,51 |
| 5407048300 | MIBL 2500 0-10V SR | E08 | 5.962,79 |
| 5407047600 | MIBL 3500 0-10V | E08 | 5.747,42 |
| 5407048400 | MIBL 3500 0-10V SR | E08 | 6.555,67 |
| 5407047700 | MIBL 4500 0-10V | E08 | 5.757,73 |
| 5407048500 | MIBL 4500 0-10V SR | E08 | 6.566,01 |
| 5407047800 | MIBL 6000 0-10V | E08 | 6.859,57 |
| 5407048600 | MIBL 6000 0-10V SR | E08 | 7.517,45 |
| 5407047900 | MIBL 8000 0-10V | E08 | 7.813,25 |
| 5407048700 | MIBL 8000 0-10V SR | E08 | 8.471,16 |
| 5407048000 | MIBL 10000 0-10V | E08 | 8.714,57 |
| 5407048800 | MIBL 10000 0-10V SR | E08 | 9.372,33 |
| 5407035700 | MIBL 15000 0-10V | E08 | 16.050,11 |
| 5407035800 | MIBL 15000 0-10V SR | E08 | 16.947,96 |
| 5407073600 | MIBL 15000 0-10V OI | E08 | 17.077,60 |
| 5407073700 | MIBL 15000 0-10V SR OI | E08 | 17.975,37 |

| Código | Modelos | Grupo producto | Precio €/u. |
|------------------------------|------------------------|----------------|------------------|
| Módulos de mezcla MIBR 0-10V | | | |
| 5407044100 | MIBR 700/1300 0-10V | E08 | 4.363,48 |
| 5407044900 | MIBR 700/1300 0-10V SR | E08 | 5.171,76 |
| 5407044200 | MIBR 1900 0-10V | E08 | 4.844,03 |
| 5407045000 | MIBR 1900 0-10V SR | E08 | 5.652,32 |
| 5407044300 | MIBR 2500 0-10V | E08 | 5.154,51 |
| 5407045100 | MIBR 2500 0-10V SR | E08 | 5.962,79 |
| 5407044400 | MIBR 3500 0-10V | E08 | 5.747,42 |
| 5407045200 | MIBR 3500 0-10V SR | E08 | 6.555,67 |
| 5407044500 | MIBR 4500 0-10V | E08 | 5.757,73 |
| 5407045300 | MIBR 4500 0-10V SR | E08 | 6.566,01 |
| 5407044600 | MIBR 6000 0-10V | E08 | 6.859,57 |
| 5407045400 | MIBR 6000 0-10V SR | E08 | 7.517,45 |
| 5407044700 | MIBR 8000 0-10V | E08 | 7.813,25 |
| 5407045500 | MIBR 8000 0-10V SR | E08 | 8.471,16 |
| 5407044800 | MIBR 10000 0-10V | E08 | 8.714,57 |
| 5407045600 | MIBR 10000 0-10V SR | E08 | 9.372,33 |
| 5407073200 | MIBR 15000 0-10V | E08 | 16.050,11 |
| 5407073300 | MIBR 15000 0-10V SR | E08 | 16.947,96 |
| 5407074000 | MIBR 15000 0-10V OI | E08 | 17.077,60 |
| 5407074100 | MIBR 15000 0-10V SR OI | E08 | 17.975,37 |

ACCESORIOS ESPECÍFICOS PARA LA SERIE RHE



AFR RHE
Filtros G4, F7
y F9.

| Código | Modelo | Grupo producto | Precio €/u. |
|--------------------------------------|----------------------|----------------|---------------|
| Filtros AFR RHE G4 | | | |
| 5407030000 | AFR RHE 700/1300 G4 | E08 | 54,63 |
| 5407030100 | AFR RHE 1900 G4 | E08 | 61,28 |
| 5407030200 | AFR RHE 2500 G4 | E08 | 71,83 |
| 5407030300 | AFR RHE 3500/4500 G4 | E08 | 75,76 |
| 5407031200 | AFR RHE 6000 G4 | E08 | 89,84 |
| 5407031300 | AFR RHE 8000 G4 | E08 | 69,59 |
| 5407036300 | AFR RHE 10000 G4 | E08 | 67,67 |
| 5407074300 | AFR RHE 15000 G4 | E08 | 48,46 |
| Filtros AFR RHE M5 | | | |
| 5407036400 | AFR RHE 700/1300 M5 | E08 | 56,28 |
| 5407036500 | AFR RHE 1900 M5 | E08 | 63,11 |
| 5407036600 | AFR RHE 2500 M5 | E08 | 73,99 |
| 5407036700 | AFR RHE 3500/4500 M5 | E08 | 78,04 |
| 5407036800 | AFR RHE 6000 M5 | E08 | 92,55 |
| 5407036900 | AFR RHE 8000 M5 | E08 | 71,68 |
| 5407037100 | AFR RHE 10000 M5 | E08 | 69,70 |
| 5407074200 | AFR RHE 15000 M5 | E08 | 64,49 |
| Filtros AFR RHE F7 | | | |
| 5407030400 | AFR RHE 700/1300 F7 | E08 | 169,84 |
| 5407030500 | AFR RHE 1900 F7 | E08 | 190,45 |
| 5407030600 | AFR RHE 2500 F7 | E08 | 223,26 |
| 5407030700 | AFR RHE 3500/4500 F7 | E08 | 235,49 |
| 5407031400 | AFR RHE 6000 F7 | E08 | 279,29 |
| 5407031500 | AFR RHE 8000 F7 | E08 | 216,28 |
| 5407036100 | AFR RHE 10000 F7 | E08 | 210,34 |
| 5407074400 | AFR RHE 15000 F7 | E08 | 194,60 |
| Filtros AFR RHE F9 | | | |
| 5407030800 | AFR RHE 700/1300 F9 | E08 | 176,47 |
| 5407030900 | AFR RHE 1900 F9 | E08 | 197,86 |
| 5407031000 | AFR RHE 2500 F9 | E08 | 231,96 |
| 5407031100 | AFR RHE 3500/4500 F9 | E08 | 244,67 |
| 5407031600 | AFR RHE 6000 F9 | E08 | 290,18 |
| 5407031700 | AFR RHE 8000 F9 | E08 | 224,71 |
| 5407036200 | AFR RHE 10000 F9 | E08 | 218,54 |
| 5407074800 | AFR RHE 15000 F9 | E08 | 202,18 |
| Acoplamiento elásticos rectangulares | | | |
| 5138928100 | ACOPEL RECT 4500 | E08 | 186,74 |
| 5138924700 | ACOPEL RECT 6000 | E08 | 263,79 |
| 5138924800 | ACOPEL RECT 8000 | E08 | 313,33 |
| 5138926300 | ACOPEL RECT 10000 | E08 | 349,78 |
| 5138005200 | ACOPEL RECT 15000 | E08 | 523,04 |

| Código | Modelo | Grupo producto | Precio €/u. |
|--|-------------------|----------------|-----------------|
| Bridas rectangulares | | | |
| 5416816600 | BRL 700x310 | E08 | 139,62 |
| 5416800600 | BRL 700x510 | E08 | 148,06 |
| 5416800700 | BRL 900x610 | E08 | 164,50 |
| 5416803300 | BRL 1100x610 | E08 | 178,01 |
| Reducciones Rectangulares-Circulares | | | |
| 5416800800 | PRRE 700x510/630 | E08 | 737,78 |
| 5416800900 | PRRE 900x610/800 | E08 | 906,39 |
| 5416803700 | PRRE 1100x610/900 | E08 | 999,57 |
| Viseras rectangulares antilluvia con reja antipájaros. Modelos de extracción | | | |
| 5407032000 | APPR 6000 | E08 | 557,35 |
| 5407032100 | APPR 8000 | E08 | 655,10 |
| 5407036000 | APPR 10000 | E08 | 739,99 |
| 5407035100 | APPR 15000 | E08 | 1.108,58 |
| Viseras rectangulares antilluvia con reja antipájaros. Modelos de impulsión | | | |
| 5407032200 | APPA 6000 | E08 | 560,42 |
| 5407032300 | APPA 8000 | E08 | 657,64 |
| 5407035900 | APPA 10000 | E08 | 742,02 |
| 5407035300 | APPA 15000 | E08 | 1.110,78 |
| Compuertas antiescarchas | | | |
| 5407039400 | MLD 4500 T | E08 | 252,34 |
| 5407031800 | MLD 6000 T | E08 | 341,38 |
| 5407031900 | MLD 8000 T | E08 | 479,71 |
| 5407037000 | MLD 10000 T | E08 | 486,47 |
| 5407035400 | MLD 15000 T | E08 | 496,21 |
| Sensores | | | |
| 5416786900 | SPRD-010B 800 | E01 | 232,76 |
| 5416787000 | KTPR | E80 | 63,36 |
| Kits de pies niveladores | | | |
| 5407029800 | KIT 4 AF | E08 | 329,51 |
| 5407029900 | KIT 6 AF | E08 | 341,68 |

Tipos de filtros suministrados con el recuperador

| | Prefiltro | | Filtro | |
|------------|------------------------|-------------------|------------------|------------------|
| | G4 (Iso Coarse 60%) | M5 (ePM10 75%) | F7 (ePM1 55%) | F9 (ePM1 80%) |
| Aportación | ✓ | * | ✓ | * |
| Extracción | * | ✓ | - | - |

* Disponible como alternativa de sustitución.

Número de filtros que incorpora cada recuperador

| Modelo recuperador | Número de filtros |
|--------------------|-------------------|
| RHE 700 | 1 |
| RHE 1300 | 1 |
| RHE 1900 | 1 |
| RHE 2500 | 2 |
| RHE 3500 | 2 |
| RHE 4500 | 2 |
| RHE 6000 | 2 |
| RHE 8000 | 3 |
| RHE 10000 | 4 |
| RHE 15000 | 8 |

Serie CADS-HE



Estándar



Modelo CADS-HE BP (con by-pass), sólo para instalación horizontal

Recuperadores de calor estáticos (sin ventilador) de alta eficiencia (hasta el 92%), de bajo perfil y peso reducido para permitir ser instalados en falsos techos, concebidos para trabajar con ventiladores de bajo consumo, montados en cajas de chapa de acero galvanizado, con aislamiento de espuma de polietileno (M1) de 10 mm de espesor, totalmente estancas, juntas de goma en bocas de entrada y salida, fácil mantenimiento mediante compuerta interior, intercambiador de calor de tipo contraflujo fabricado en PVC, salida de evacuación de condensaciones, y filtros G2 en aspiración y descarga, fáciles de cambiar, sin necesidad de herramientas.

Modelos CADS-HE BP

Incorporan by-pass con compuerta motorizada, 230V. El by-pass permite que parte del aire extraído no pase a través del intercambiador, cuando se requiera el enfriamiento del local (con temperatura exterior inferior a la interior).

El by-pass es reversible, para poderlo adaptar a las distintas disposiciones de los flujos de aire aportado o extraído, según la configuración de la red de conductos del edificio.

Otros datos

Filtros G4, como accesorio.



BAJO PERFIL

Aplicaciones específicas



VMC viviendas colectivas



Recuperación de calor

| Código | Modelo | Eficiencia | Caudal máximo (m³/h) | Grupo producto | Precio €/u. |
|------------|----------------|------------|----------------------|----------------|-------------|
| 5153100700 | CADS-HE 150 | 82 - 92 % | 300 | E93 | 1.623,33 |
| 5153100800 | CADS-HE BP 150 | 82 - 92 % | 300 | E93 | 2.001,57 |
| 5153122700 | CADS-HE 160 | 82 - 92 % | 300 | E93 | 1.623,33 |
| 5153122600 | CADS-HE BP 160 | 82 - 92 % | 300 | E93 | 2.001,57 |

Serie CADS-FLEXEO



Modelo CADS-FLEXEO (sin by-pass)



Modelo CADS-FLEXEO BP (con by-pass)

Recuperadores de calor estáticos (sin ventilador) de alta eficiencia (hasta 94%), de bajo perfil y peso reducido que permite su instalación en falsos techos, tanto en viviendas unifamiliares como instalado en los distintos pisos de viviendas colectivas.

Construidos con cuerpo de EPP, de fácil acceso mediante cierres de tipo tracción giratorio, con bocas de impulsión y descarga pivotantes a 90°, filtro M5 (ISO ePM10 50%, a 210 m³/h) en la impulsión y G4 (ISO coarse 65%, a 210 m³/h) en la extracción.

La versión CADS-FLEXEO BP incorpora como accesorio, by-pass 100%, de accionamiento manual, diseñado de forma que no afecta a la altura del recuperador, permitiendo su instalación en falsos techos.

Disponible control remoto (accesorio), que permite ajustar la función boost, el by-pass manual y la alarma de filtros sucios.



BAJO PERFIL

Aplicaciones específicas



VMC viviendas unifamiliares



VMC viviendas colectivas



Recuperación de calor

| Código | Modelo | Eficiencia % | Caudal máximo (m³/h) | Mando de control (accesorio opcional) | | Grupo producto | Precio €/u. |
|------------|--------------------|--------------|----------------------|---------------------------------------|------------------------|----------------|-------------|
| | | | | Tensión (V) | Potencia absorbida (W) | | |
| 5153534500 | CADS-FLEXEO 210 | 94 | 210 | 230 | <1 | E93 | 1.223,64 |
| 5153674500 | CADS-FLEXEO 210 BP | 94 | 210 | 230 | <1 | E93 | 1.472,86 |

ACCESORIOS ESPECÍFICOS

| Código | Modelo | Grupo producto | Precio €/u. |
|------------|--------------------------|----------------|-------------|
| 5153534700 | MANDO CADS FLEXEO | E99 | 216,44 |
| 5153691100 | MANDO CADS FLEXEO-210 BP | E99 | 216,44 |

MBW



Baterías de calefacción de agua caliente.
 Características:
 Gama con diámetros de conexión de 100 a 500 mm.
 Carcasa de chapa galvanizada.
 Baterías con tubos de cobre y aletas de aluminio.
 Lateral desmontable para mantenimiento.
 Pueden ser montadas en posición horizontal o vertical.
 Conexiones con juntas estancas.
 Se debe prever la conexión entre la batería y el circuito de agua caliente.

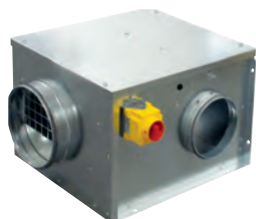
Presión máxima: 10 bar.
 Temperatura máxima: 100°C.
 Se deben instalar llaves de paso en cada una de conexiones hidráulicas, de forma que permitan aislar el equipo en caso de necesidad (limpieza de filtros, reparaciones, etc.) sin obligar al vaciado de todo el circuito.
 Recomendamos montar una caja filtrante con filtro (MFL-F + MFR) en la entrada al equipo, para retener las partículas en suspensión.

| Código | Modelo | Datos aire | | | | | Datos agua | | Peso (kg) | Grupo producto | Precio €/u. |
|------------|---------|---------------------|-------------------|------------------|------------------|------------------------------|-------------------------------------|---------------------------|-----------|----------------|-----------------|
| | | Potencia calorífica | | Aire | | Caudal (m³/h) ^{1,2} | Pérdida de carga (kPa) ¹ | Caudal (l/h) ¹ | | | |
| | | (kW) ¹ | (kW) ² | (K) ¹ | (K) ² | | | | | | |
| 5132864000 | MBW-100 | 1,7 | 1,0 | 33 | 18 | 150 | 1 | 70 | 5,8 | E01 | 401,24 |
| 5132864100 | MBW-125 | 2,1 | 1,2 | 29 | 17 | 220 | 1 | 90 | 5,8 | E01 | 423,91 |
| 5132864200 | MBW-160 | 4,6 | 3,0 | 39 | 25 | 360 | 4 | 200 | 7,7 | E01 | 469,20 |
| 5132864300 | MBW-200 | 6,1 | 4,0 | 32 | 21 | 560 | 7 | 270 | 7,7 | E01 | 504,81 |
| 5132864400 | MBW-250 | 9,7 | 6,2 | 32 | 20 | 900 | 4 | 430 | 9,6 | E01 | 705,43 |
| 5132864500 | MBW-315 | 16,6 | 10,9 | 35 | 23 | 1.400 | 6 | 730 | 11,9 | E01 | 838,09 |
| 5132864600 | MBW-355 | 22,3 | 14,9 | 36 | 24 | 1.800 | 9 | 980 | 14,5 | E01 | 1.054,94 |
| 5132864700 | MBW-400 | 25,6 | 16,9 | 34 | 22 | 2.300 | 9 | 1.130 | 20,5 | E01 | 1.092,14 |
| 5132864900 | MBW-450 | 36,7 | 24,8 | 37 | 25 | 2.900 | 16 | 1.610 | 20,3 | E01 | 1.171,40 |
| 5132864800 | MBW-500 | 41,1 | 27,6 | 34 | 23 | 3.500 | 17 | 1.810 | 20,5 | E01 | 1.255,07 |

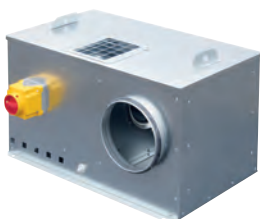
Los datos se refieren a una temperatura exterior de 0°C y temperaturas de entrada/salida: 1 80/60°C, 2 60/40°C.



VMC COLECTIVA SIMPLE FLUJO



340 CACB-N



341 CACB ECM



341 CRCB ECOWATT



342 CACB-N ECOWATT



343 CACB N ECM ECO



343 CRCB ECOWATT PR



344 CTB



344 CTB ECOWATT



345 CTB ECOWATT PLUS



346 CTBH ECOWATT

Todos los motores incorporados en nuestros productos cumplen con el Reglamento CE nº 640/2009.



Series **Desenfumage** capacitadas para trasegar aire a la temperatura indicada.



Series que cumplen con la **Directiva ErP**.



Series energéticamente eficientes.

VMC UNIFAMILIAR SIMPLE FLUJO



390 TD-SILENT



394 TD-SILENT ECOWATT



396 TD-SILENT ECOWATT CAV



347 OZEO FLAT AUTO 2V



347 OZEO FLAT H 2
OZEO FLAT H ECOWATT



348 OZEO E ECOWATT 2
OZEO E ECOWATT CONTROL CO2



349 OZEO H ST 2
OZEO H ECOWATT 2



349 VENTURIA E 2018



350 PIV



350 PIV W

Todos los motores incorporados en nuestros productos cumplen con el Reglamento CE nº 640/2009.



Series que cumplen con la Directiva ErP.



Series energéticamente eficientes.

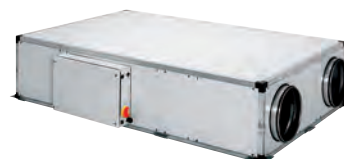
VMC COLECTIVA DOBLE FLUJO



300 CAD-COMPACT



303 CADB/T-HE ECOWATT



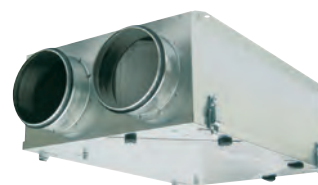
308 CADB/T-HE PRO-REG



315 CADB/T-HE BASIC



320 RHE



333 CADS-HE



333 CADS-FLEXEO

Todos los motores incorporados en nuestros productos cumplen con el Reglamento CE nº 640/2009.



Series que cumplen con la Directiva ErP.



Series energéticamente eficientes.



Productos que a través de la aplicación CONNECTAIR, la IoT de diseño exclusivo de S&P, pueden ser controlados desde cualquier dispositivo conectado a internet.

VMC UNIFAMILIAR DOBLE FLUJO

Ampliación de gama



351 ALTAIR

NOVEDAD



352 AXB



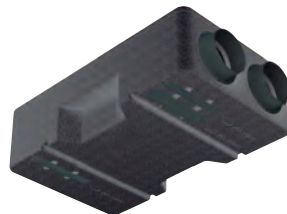
353 NEMBUS



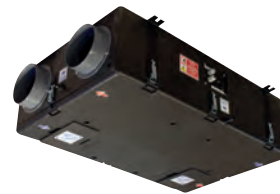
354 SLIMLINE



355 AD



356 BR 25 BASIC



356 BR 25



358 FLEXEO 3V

Ampliación de gama



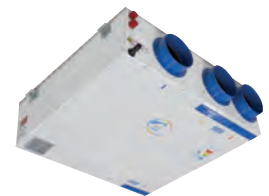
359 ORKA



360 SABIK



361 DOMEO



362 BR DH

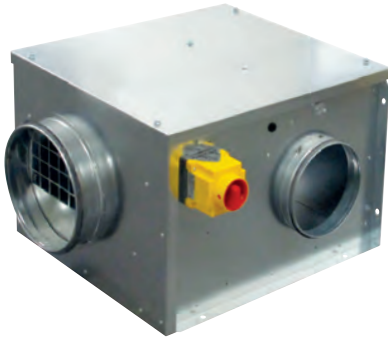


363 PULSE



364 RESPIRO

Serie CACB-N



Cajas de ventilación autorregulables, de acero galvanizado, capacitadas para trasegar aire a 400°C-1/2h para la extracción de aire en caso de incendio, equipadas con un ventilador centrífugo de accionamiento directo, con rodete de álabes hacia adelante.

Pueden ser utilizadas en instalaciones higroregulables si la curva del modelo utilizado se adapta a los caudales de proyecto.

Pueden ser instaladas en exterior sin necesidad de tejado antilluvia (los modelos de descarga vertical sí requieren tejado antilluvia, en caso de funcionamiento intermitente).

Versiones aisladas (modelos ISO): Incorporan aislamiento acústico en lana de vidrio de 25 mm (clasificación al fuego M0).

Motores

Monofásicos 230V, 3 velocidades y protector térmico incorporado.

Regulables por variación de tensión, cuando trabajan a máxima velocidad.



Aplicaciones específicas



VMC viviendas colectivas

Es imprescindible comprobar que las características eléctricas (voltaje, intensidad, frecuencia, etc) del motor que aparecen en la placa del mismo son compatibles con las de la instalación.

| Modelo | Ø Aspiración (mm) / Ángulo descarga | Velocidad máxima (r.p.m.) | Potencia motor (W) | Intensidad máxima (A) | Caudal (m³/h) | | Peso (kg) |
|--------------|-------------------------------------|---------------------------|--------------------|-----------------------|---------------|------|-----------|
| | | | | | mín. | máx. | |
| CACB-N 005-1 | 200 / 90° | 1437 | 90 | 0,38 | 50 | 500 | 28 |
| CACB-N 005-2 | 160-160 / 2x90° | 1437 | 90 | 0,38 | 50 | 500 | 28 |
| CACB-N 005-L | 200 / en línea | 1437 | 90 | 0,38 | 50 | 500 | 28 |
| CACB-N 008-1 | 250 / 90° | 1443 | 180 | 0,77 | 140 | 800 | 30 |
| CACB-N 008-2 | 200-200 / 2x90° | 1443 | 180 | 0,77 | 140 | 800 | 30 |
| CACB-N 008-L | 250 / en línea | 1443 | 180 | 0,77 | 140 | 800 | 30 |

| Código | Modelo | Grupo producto | Precio €/u. |
|---|-------------------|----------------|---------------|
| Versión Standard (incluye Interruptor y Presostato) | | | |
| 5209140000 | CACB-N 005 1 / PI | E90 | 838,94 |
| 5209139500 | CACB-N 005 2 / PI | E90 | 850,83 |
| 5209139000 | CACB-N 005 L / PI | E90 | 838,11 |
| 5209139900 | CACB-N 008 1 / PI | E90 | 893,34 |
| 5209139400 | CACB-N 008 2 / PI | E90 | 900,32 |
| 5209138900 | CACB-N 008 L / PI | E90 | 887,32 |

| Código | Modelo | Grupo producto | Precio €/u. |
|--|---------------------|----------------|-----------------|
| Versión Aislada (incluye Interruptor y Presostato) | | | |
| 5209141500 | CACB-N 005 1/PI-ISO | E90 | 971,89 |
| 5209141000 | CACB-N 005 2/PI-ISO | E90 | 995,13 |
| 5209140500 | CACB-N 005 L/PI-ISO | E90 | 959,75 |
| 5209141400 | CACB-N 008 1/PI ISO | E90 | 1.025,04 |
| 5209140900 | CACB-N 008 2/PI-ISO | E90 | 1.049,57 |
| 5209140400 | CACB-N 008 L/PI-ISO | E90 | 1.013,29 |

Serie CACB ECM



Cajas de ventilación autorregulables, de acero galvanizado, certificadas 400°C-1/2h para la extracción de aire en caso de incendio, equipadas con un ventilador centrífugo de accionamiento directo, con rodete de álabes hacia adelante.

Pueden ser utilizadas en instalaciones higrorre-gulables si la curva del modelo utilizado se adapta a los caudales de proyecto.

Pueden ser instaladas en exterior sin necesidad de tejado antilluvia (si el funcionamiento es intermitente, sí es recomendable la instalación de tejado antilluvia).

Motores

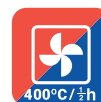
Conmutación electrónica.

Monofásicos 230V, de simple oído, protector térmico electrónico, con una velocidad ajustable mediante potenciómetro incorporado.

Equipados con interruptor de proximidad y presostato de seguridad a 80Pa.



Aplicaciones específicas



VMC
viviendas
colectivas

Es imprescindible comprobar que las características eléctricas (voltaje, intensidad, frecuencia, etc) del motor que aparecen en la placa del mismo son compatibles con las de la instalación.

| Código | Modelo | Ø Aspiración (mm) / Ángulo descarga | Ø Descarga (mm) | Potencia motor (W) | Intensidad máxima (A) | Caudal (m³/h) | | Peso (kg) | Grupo producto | Precio €/u. |
|------------|-------------------|---|-----------------------|--------------------------|-----------------------------|------------------|-------|--------------|-------------------|----------------|
| | | | | | | mín. | máx. | | | |
| 5209347800 | CACB ECM 007 1/DI | 250 / 90° | 250 | 140 | 1,2 | 50 | 800 | 18 | E90 | 1.620,70 |
| 5209348300 | CACB ECM 007 2/DI | 200-200 / 2x90° | 250 | 140 | 1,2 | | | 21 | E90 | 1.691,61 |
| 5209347900 | CACB ECM 012 1/DI | 250 / 90° | 250 | 305 | 1,6 | 50 | 1.200 | 20 | E90 | 1.725,87 |
| 5209348400 | CACB ECM 012 2/DI | 200-200 / 2x90° | 250 | 305 | 1,6 | | | 23 | E90 | 1.811,42 |
| 5209348000 | CACB ECM 015 1/DI | 315 / 90° | 315 | 280 | 1,3 | 50 | 1.500 | 24 | E90 | 1.800,33 |
| 5209348500 | CACB ECM 015 2/DI | 250-250 / 2x90° | 315 | 280 | 1,3 | | | 27 | E90 | 1.890,14 |
| 5209348100 | CACB ECM 021 1/DI | 315 / 90° | 315 | 720 | 3,1 | 50 | 2.100 | 26 | E90 | 2.394,37 |
| 5209348600 | CACB ECM 021 2/DI | 250-250 / 2x90° | 315 | 720 | 3,1 | | | 29 | E90 | 2.487,75 |
| 5209348200 | CACB ECM 027 1/DI | 400 / 90° | 400 | 895 | 3,9 | 50 | 2.700 | 35 | E90 | 2.963,86 |
| 5209348700 | CACB ECM 027 2/DI | 355 -355 / 2x90° | 400 | 895 | 3,9 | | | 41 | E90 | 3.085,31 |

Serie CRCB ECOWATT



Cajas de ventilación autorregulables, de acero galvanizado, certificadas 400°C-1/2h para la extracción de aire en caso de incendio, equipadas con un ventilador centrífugo de accionamiento directo de alto rendimiento, con rodete de álabes hacia atrás.

Pueden ser utilizadas en instalaciones higrorre-gulables si la curva del modelo utilizado se adapta a los caudales de proyecto.

Pueden ser instaladas en exterior sin necesidad de tejado antilluvia (si el funcionamiento es intermitente, sí es recomendable la instalación de tejado antilluvia).

Motores

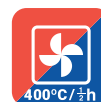
Conmutación electrónica .

Monofásicos 230V, de simple oído, protector térmico electrónico, con una velocidad ajustable mediante potenciómetro incorporado.

Equipados con interruptor de proximidad y presostato de seguridad regulable.



Aplicaciones específicas



VMC
viviendas
colectivas

Es imprescindible comprobar que las características eléctricas (voltaje, intensidad, frecuencia, etc) del motor que aparecen en la placa del mismo son compatibles con las de la instalación.

| Código | Modelo | Ø Aspiración (mm) / Ángulo descarga | Ø Descarga (mm) | Potencia motor (W) | Intensidad máxima (A) | Caudal (m³/h) | | Peso (kg) | Grupo producto | Precio €/u. |
|------------|-------------------------|---|-----------------------|--------------------------|-----------------------------|------------------|-------|--------------|-------------------|----------------|
| | | | | | | mín. | máx. | | | |
| 5209349800 | CRCB ECOWATT 30 VM MONO | 400 / 90° | 400 | 600 | 2,6 | 250 | 3.000 | 64 | E90 | 4.727,25 |
| 5209349900 | CRCB ECOWATT 38 VM MONO | 500 / 90° | 500 | 700 | 3,1 | 500 | 3.800 | 78 | E90 | 4.906,80 |
| 5209350100 | CRCB ECOWATT 38 VD MONO | 400-400 / 2x90° | 500 | 700 | 3,1 | 500 | 3.800 | 78 | E90 | 4.922,04 |
| 5209350000 | CRCB ECOWATT 48 VM MONO | 560 / 90° | 560 | 720 | 3,1 | 500 | 5.000 | 83 | E90 | 5.671,03 |
| 5209350200 | CRCB ECOWATT 48 VD MONO | 450-450 / 2x90° | 560 | 720 | 3,1 | 500 | 5.000 | 83 | E90 | 5.536,28 |

Serie CACB-N ECOWATT



Cajas de ventilación auto/higroregulables, de acero galvanizado, certificadas 400°C-1/2h para la extracción de aire en caso de incendio y especialmente diseñadas para mantener una presión constante en la instalación.
Pueden ser instaladas en exterior sin necesidad de tejado antilluvia (los modelos de descarga vertical sí requieren tejado antilluvia, en caso de funcionamiento intermitente).
Versiones aisladas (modelos ISO): Incorporan aislamiento acústico en lana de vidrio de 25 mm (clasificación al fuego M0).

Funcionamiento totalmente automático: una sonda de presión, montada de serie en la caja, envía la información al convertidor de frecuencia que adapta la velocidad del motor. Esto permite mantener constante la presión en la red de conductos para toda la curva del ventilador.
La permanente adaptación de la velocidad a las necesidades de la instalación permite una considerable reducción del consumo. El nivel de presión se puede ajustar fácilmente.
Alimentación 230V.

Aplicaciones específicas



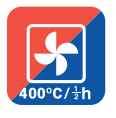
PRESIÓN
CONSTANTE



CONSUMO
ELÉCTRICO



VMC
viviendas
colectivas



Es imprescindible comprobar que las características eléctricas (voltaje, intensidad, frecuencia, etc) del motor que aparecen en la placa del mismo son compatibles con las de la instalación.

| Modelo | Motor ventilador con regulador de tensión electrónica monofásica 230V | | | | Caudal máximo (m³/h) | | Peso (kg) |
|---------------|---|-------------|------------------|----------------------|----------------------|------|-----------|
| | Ø de la turbina | Nº de polos | Intens. máx. (A) | Potencia nominal (W) | mín. | máx. | |
| CACB-N ECO 05 | 180 | 4 | 0,38 | 90 | 50 | 580 | 28 |
| CACB-N ECO 08 | 180 | 4 | 0,77 | 180 | 140 | 940 | 30 |

| Código | Modelo | Grupo producto | Precio €/u. |
|---|----------------------|----------------|-----------------|
| Versión Standard (incluye Interruptor y Presostato) | | | |
| 5209186200 | CACB-N ECOWATT 005-1 | E90 | 2.229,83 |
| 5209186300 | CACB-N ECOWATT 005-2 | E90 | 2.242,13 |
| 5209186400 | CACB-N ECOWATT 005-L | E90 | 2.230,50 |
| 5209186500 | CACB-N ECOWATT 008-1 | E90 | 2.345,96 |
| 5209186600 | CACB-N ECOWATT 008-2 | E90 | 2.363,47 |
| 5209186700 | CACB-N ECOWATT 008-L | E90 | 2.346,15 |

| Código | Modelo | Grupo producto | Precio €/u. |
|--|--------------------------|----------------|-----------------|
| Versión Aislada (incluye Interruptor y Presostato) | | | |
| 5209188000 | CACB-N ECOWATT 005-1 ISO | E90 | 2.454,54 |
| 5209188100 | CACB-N ECOWATT 005-2 ISO | E90 | 2.475,93 |
| 5209188200 | CACB-N ECOWATT 005-L ISO | E90 | 2.260,77 |
| 5209188300 | CACB-N ECOWATT 008-1 ISO | E90 | 2.606,98 |
| 5209188400 | CACB-N ECOWATT 008-2 ISO | E90 | 2.619,81 |
| 5209188500 | CACB-N ECOWATT 008-L ISO | E90 | 2.400,26 |

ACCESORIOS ESPECÍFICOS SERIES CACB Y CRCB

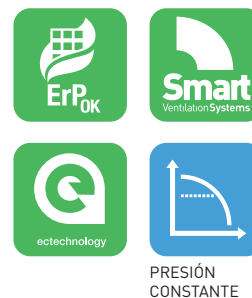
| Código | Modelo | Grupo producto | Precio €/u. |
|-----------------------------|--------------|----------------|---------------|
| Tejados antilluvia CPP y CP | | | |
| 5209194600 | CPP-10/22/35 | E99 | 72,35 |
| 5209194700 | CPP-45 | E99 | 88,55 |
| 5209194800 | CPP-05/08 | E99 | 42,70 |
| 5209352000 | CP-400 | E99 | 146,97 |
| 5209352100 | CP-500 | E99 | 250,11 |
| 5209352200 | CP-560 | E99 | 269,79 |
| Bridas circulares PAPV | | | |
| 5416057000 | PAPV-250 | E99 | 12,93 |
| 5416057100 | PAPV-315 | E99 | 17,52 |
| 5416736000 | PAPV-400 | E99 | 26,71 |
| 5416845600 | PAPV-500 | E99 | 36,01 |
| 5416726200 | PAPV-560 | E99 | 45,71 |
| 5416726300 | PAPV-630 | E99 | 48,00 |
| 5416726400 | PAPV-710 | E99 | 56,80 |

Serie CACB N ECM ECO



Cajas de ventilación higrorregulables, de acero galvanizado, certificadas 400°C-1/2h para la extracción de aire en caso de incendio, equipadas con un ventilador centrífugo de accionamiento directo, con rodete de álabes hacia adelante. Funcionamiento totalmente automático a presión constante. Display situado en el frontal. Pueden ser instaladas en exterior sin necesidad de tejado antilluvia (si el funcionamiento es intermitente, sí es recomendable la instalación de tejado antilluvia).

Motores
Comutación electrónica. Monofásicos 230V, de simple oído, protector térmico electrónico, con una velocidad ajustable mediante potenciómetro incorporado. Equipados con interruptor de proximidad y presostato de seguridad a 80Pa.



Aplicaciones específicas



Es imprescindible comprobar que las características eléctricas (voltaje, intensidad, frecuencia, etc) del motor que aparecen en la placa del mismo son compatibles con las de la instalación.

| Código | Modelo | Ø Aspiración (mm) / Ángulo descarga | Ø Descarga (mm) | Potencia motor (W) | Intensidad máxima (A) | Caudal (m³/h) | | Peso (kg) | Grupo producto | Precio €/u. |
|------------|-------------------------|-------------------------------------|-----------------|--------------------|-----------------------|---------------|-------|-----------|----------------|-------------|
| | | | | | | mín. | máx. | | | |
| 5209348800 | CACB N ECM ECO 007 1/DI | 250 / 90° | 250 | 140 | 1,2 | 50 | 800 | 18 | E90 | 2.460,21 |
| 5209349300 | CACB N ECM ECO 007 2/DI | 200-200 / 2x90° | 250 | 140 | 1,2 | | | 21 | E90 | 2.560,41 |
| 5209348900 | CACB N ECM ECO 012 1/DI | 250 / 90° | 250 | 305 | 1,6 | 50 | 1.200 | 20 | E90 | 2.967,03 |
| 5209349400 | CACB N ECM ECO 012 2/DI | 200-200 / 2x90° | 250 | 305 | 1,6 | | | 23 | E90 | 2.986,02 |
| 5209349000 | CACB N ECM ECO 015 1/DI | 315 / 90° | 315 | 280 | 1,3 | 50 | 1.500 | 24 | E90 | 3.220,88 |
| 5209349500 | CACB N ECM ECO 015 2/DI | 250-250 / 2x90° | 315 | 280 | 1,3 | | | 27 | E90 | 3.300,78 |
| 5209349100 | CACB N ECM ECO 021 1/DI | 315 / 90° | 315 | 720 | 3,1 | 50 | 2.100 | 26 | E90 | 3.406,91 |
| 5209349600 | CACB N ECM ECO 021 2/DI | 250-250 / 2x90° | 315 | 720 | 3,1 | | | 29 | E90 | 3.498,82 |
| 5209349200 | CACB N ECM ECO 027 1/DI | 400 / 90° | 400 | 895 | 3,9 | 50 | 2.700 | 35 | E90 | 4.068,97 |
| 5209349700 | CACB N ECM ECO 027 2/DI | 355 -355 / 2x90° | 400 | 895 | 3,9 | | | 41 | E90 | 4.149,02 |

Serie CRCB ECOWATT PR



Cajas de ventilación higrorregulables, de acero galvanizado, certificadas 400°C-1/2h para la extracción de aire en caso de incendio, equipadas con un ventilador centrífugo de accionamiento directo de alto rendimiento, con rodete de álabes hacia atrás. Funcionamiento totalmente automático a presión constante o a caudal constante. Comunicación Modbus por defecto y SIGFOX en opción. Display situado en el frontal. Pueden ser instaladas en exterior sin necesidad de tejado antilluvia (si el funcionamiento es intermitente, sí es recomendable la instalación de tejado antilluvia).

Motores
Comutación electrónica. Monofásicos 230V, de simple oído, protector térmico electrónico, con una velocidad ajustable mediante potenciómetro incorporado. Equipados con interruptor de proximidad y presostato de seguridad a 80Pa.



Aplicaciones específicas



Es imprescindible comprobar que las características eléctricas (voltaje, intensidad, frecuencia, etc) del motor que aparecen en la placa del mismo son compatibles con las de la instalación.

| Código | Modelo | Ø Aspiración (mm) / Ángulo descarga | Ø Descarga (mm) | Potencia motor (W) | Intensidad máxima (A) | Caudal (m³/h) | | Peso (kg) | Grupo producto | Precio €/u. |
|------------|----------------------------|-------------------------------------|-----------------|--------------------|-----------------------|---------------|-------|-----------|----------------|-------------|
| | | | | | | mín. | máx. | | | |
| 5209350300 | CRCB ECOWATT PR 30 VM MONO | 400 / 90° | 400 | 600 | 2,6 | 250 | 3.000 | 64 | E90 | 5.648,35 |
| 5209350400 | CRCB ECOWATT PR 38 VM MONO | 500 / 90° | 500 | 700 | 3,1 | 500 | 3.800 | 78 | E90 | 5.827,90 |
| 5209350600 | CRCB ECOWATT PR 38 VD MONO | 400-400 / 2x90° | 500 | 700 | 3,1 | 500 | 3.800 | 78 | E90 | 5.843,17 |
| 5209350500 | CRCB ECOWATT PR 48 VM MONO | 560 / 90° | 560 | 720 | 3,1 | 500 | 5.000 | 83 | E90 | 6.592,13 |
| 5209350700 | CRCB ECOWATT PR 48 VD MONO | 450-450 / 2x90° | 560 | 720 | 3,1 | 500 | 5.000 | 83 | E90 | 6.457,38 |

Serie CTB



Ventiladores centrífugos de tejado, para montar directamente a conducto circular, para la ventilación de viviendas y pequeños recintos, en cumplimiento del Código Técnico de Edificación, con rodete de álabes hacia atrás de chapa de acero galvanizada, estructura de chapa galvanizada protegida por pintura poliéster negra, malla de seguridad antipájaros de chapa galvanizada, interruptor paro-marcha IP55, junta de estanqueidad en la brida de acoplamiento al conducto y protector térmico.

Motores

De rotor exterior, con rodamientos a bolas, monofásicos, 230V-50Hz, IP54, Clase F. Temperatura de trabajo: -40°C/+70°C. Regulables por variación de tensión.

Aplicaciones específicas



VMC viviendas colectivas

Es imprescindible comprobar que las características eléctricas (voltaje, intensidad, frecuencia, etc) del motor que aparecen en la placa del mismo son compatibles con las de la instalación.

| Código | Modelo | Velocidad (r.p.m.) | Potencia absorbida máxima (W) | Intensidad absorbida máxima (A) | Caudal máximo (m³/h) | Nivel de presión sonora a 3 m* | | Peso (kg) | Grupo producto | Precio €/u. |
|------------|----------------|--------------------|-------------------------------|---------------------------------|----------------------|--------------------------------|----------|-----------|----------------|---------------|
| | | | | | | Aspiración | Descarga | | | |
| 5136896200 | CTB/4-400/160 | 1360 | 30 | 0,14 | 450 | 34 | 41 | 5,5 | E91 | 539,32 |
| 5136896300 | CTB/4-500/200 | 1450 | 49 | 0,21 | 570 | 38 | 44 | 6,5 | E91 | 567,02 |
| 5136896400 | CTB/4-800/250 | 1390 | 57 | 0,25 | 810 | 36 | 42 | 8,0 | E91 | 640,63 |
| 5136896500 | CTB/4-1300/315 | 1350 | 116 | 0,49 | 1.420 | 42 | 48 | 9,0 | E91 | 827,40 |

* En campo libre, en el punto medio de la curva.

Serie CTB ECOWATT



Ventiladores centrífugos de tejado, de bajo perfil, descarga horizontal, para montar directamente a conducto circular, para la ventilación de viviendas y pequeños recintos, en cumplimiento del Código Técnico de Edificación. Fabricados con rodete centrífugo de álabes hacia atrás de chapa de acero galvanizada, estructura de chapa galvanizada protegida por pintura poliéster negra, malla de seguridad antipájaros de chapa galvanizada, junta de estanqueidad en la brida de acoplamiento al conducto, motor brushless EC de corriente continua, de alto rendimiento y bajo

consumo, de rotor externo, IP44, alimentación 230V±15%/50-60Hz, con protector térmico e interruptor paro-marcha IP55, capacitados para trabajar a temperaturas de -20°C a +40°C. Velocidad regulable mediante potenciómetro ubicado en la caja de bornes o mediante control externo tipo REB-ECOWATT. Entrada analógica para controlar el ventilador con una señal externa de 0-10V.

Aplicaciones específicas



VMC viviendas colectivas



Es imprescindible comprobar que las características eléctricas (voltaje, intensidad, frecuencia, etc) del motor que aparecen en la placa del mismo son compatibles con las de la instalación.

| Código | Modelo | Tensión de regulación (r.p.m.) | Velocidad (r.p.m.) | Potencia absorbida máxima (W) | Intensidad máxima absorbida (A) | Caudal máximo (m³/h) | Nivel de presión sonora a 4 m* | | Peso (kg) | Grupo producto | Precio €/u. |
|------------|------------------------|--------------------------------|--------------------|-------------------------------|---------------------------------|----------------------|--------------------------------|----------|-----------|----------------|-----------------|
| | | | | | | | Aspiración | Descarga | | | |
| 5136903300 | CTB/4-400/160 ECOWATT | 10 | 1485 | 21,5 | 0,17 | 400 | 34 | 40 | 6,0 | E91 | 755,05 |
| | | 8 | 1365 | 18,0 | 0,15 | 360 | 32 | 39 | | | |
| | | 6 | 1100 | 12,4 | 0,11 | 290 | 27 | 33 | | | |
| | | 4 | 835 | 8,7 | 0,08 | 220 | 21 | 25 | | | |
| 5136903200 | CTB/4-500/200 ECOWATT | 10 | 1490 | 26,5 | 0,19 | 560 | 36 | 41 | 7,0 | E91 | 793,84 |
| | | 8 | 1395 | 22,7 | 0,17 | 520 | 34 | 39 | | | |
| | | 6 | 1150 | 15,1 | 0,12 | 420 | 30 | 35 | | | |
| | | 4 | 865 | 9,4 | 0,08 | 320 | 22 | 26 | | | |
| 5136903100 | CTB/4-800/250 ECOWATT | 10 | 1430 | 45,0 | 0,32 | 840 | 38 | 44 | 8,5 | E91 | 896,91 |
| | | 8 | 1260 | 33,9 | 0,25 | 730 | 36 | 42 | | | |
| | | 6 | 1060 | 23,6 | 0,18 | 620 | 31 | 38 | | | |
| | | 4 | 850 | 16,7 | 0,13 | 500 | 26 | 31 | | | |
| 5136903000 | CTB/4-1300/315 ECOWATT | 10 | 1420 | 91,2 | 0,62 | 1.490 | 41 | 48 | 10,0 | E91 | 1.158,36 |
| | | 8 | 1250 | 64,7 | 0,46 | 1.300 | 38 | 44 | | | |
| | | 6 | 1050 | 41,6 | 0,30 | 1.080 | 34 | 41 | | | |
| | | 4 | 860 | 26,4 | 0,20 | 870 | 30 | 37 | | | |

* Con el aparato entubado, en los puntos medios de la curva característica (puntos 2, 5, 9 y 11).

Serie CTB ECOWATT PLUS



CTB ECOWATT PLUS montado sobre conducto circular.

Ventiladores centrífugos de tejado, autorregulados, de bajo perfil, de descarga horizontal, para montar directamente a conducto circular, para la ventilación de viviendas y pequeños recintos, en cumplimiento con Código Técnico de Edificación, con rodete de álabes hacia atrás de chapa de acero galvanizada, estructura de de chapa galvanizada protegida por pintura poliéster negra, cubierta de aluminio, malla de seguridad antipájaros de chapa galvanizada, junta de estanqueidad en brida de acoplamiento al conducto e interruptor paro-marcha.

Motores

Motor brushless de rotor exterior de corriente continua, de alto rendimiento y bajo consumo, alimentación 230V±10% 50/60Hz, IP44, rodamientos a bolas y protector térmico.

Control integrado

Se suministra con control integrado del tipo plug & play preconfigurado para trabajar a presión constante (COP) con una consigna de presión de 100 Pa.

Adquiriendo la consola de programación PROSYS ECOWATT, se tendrá acceso a la parametrización del modo presión constante (COP) además de 3 modos adicionales:

- Caudal constante (CAV).
- Proporcional (VAV).
- Mínimo-Máximo.
- Programador horario (con combinación con accesorio TIMER RTC).
- Esta serie permite la visualización y el control de todos los parámetros mediante red Modbus-RTU.

Modo Presión constante (COP)

- Velocidad mínima del ventilador entre 0-50%.
- Velocidad máxima del ventilador entre 50-100%.

- Posición noche ajustable entre 25-100% de la presión a velocidad máxima.

Modo Caudal constante (CAV)

- Velocidad mínima del ventilador entre 0-50%.
- Velocidad máxima del ventilador entre 50-100%.
- Posición noche ajustable entre 25-100% del caudal a velocidad máxima.

Modo Proporcional (VAV)

- Hasta 2 entradas analógicas, 0-10V ó 4-20mA.
- Selección de demanda máxima cuando 2 entradas analógicas conectadas.
- Velocidad mínima del ventilador entre 0-50%.
- Velocidad máxima del ventilador entre 50-100%.
- Salida para relé de alarma.

Modo Mínimo-Máximo

- Entrada digital para selección de velocidad.
- Velocidad mínima del ventilador entre 0-50%.
- Velocidad máxima del ventilador entre 50-100%.

Timer (RTC)

Adquiriendo el accesorio TIMER RTC juntamente con la consola de programación PROSYS ECOWATT se podrá programar franjas horarias de funcionamiento.

- Hasta tres periodos diarios con la consigna deseada.
- Periodo vacaciones.

Aplicaciones específicas



VMC viviendas colectivas



Es imprescindible comprobar que las características eléctricas (voltaje, intensidad, frecuencia, etc) del motor que aparecen en la placa del mismo son compatibles con las de la instalación.

| Código | Modelo | Tensión de regulación (r.p.m.) | Velocidad (r.p.m.) | Potencia absorbida máxima (W) | Intensidad máxima absorbida (A) | Caudal máximo (m³/h) | Nivel de presión sonora a 4 m* (dB(A)) | | Peso (kg) | Grupo producto | Precio €/u. |
|------------|-----------------------------|--------------------------------|--------------------|-------------------------------|---------------------------------|----------------------|--|----------|-----------|----------------|-------------|
| | | | | | | | Aspiración | Descarga | | | |
| 5136900500 | CTB/4-400/160 ECOWATT PLUS | 10 | 1485 | 21,5 | 0,17 | 400 | 34 | 40 | 6,0 | E91 | 1.078,67 |
| | | 8 | 1365 | 18,0 | 0,15 | 360 | 32 | 39 | | | |
| | | 6 | 1100 | 12,4 | 0,11 | 290 | 27 | 33 | | | |
| | | 4 | 835 | 8,7 | 0,08 | 220 | 21 | 25 | | | |
| 5136900400 | CTB/4-500/200 ECOWATT PLUS | 10 | 1490 | 26,5 | 0,19 | 560 | 36 | 41 | 7,0 | E91 | 1.134,05 |
| | | 8 | 1395 | 22,7 | 0,17 | 520 | 34 | 39 | | | |
| | | 6 | 1150 | 15,1 | 0,12 | 420 | 30 | 35 | | | |
| | | 4 | 865 | 9,4 | 0,08 | 320 | 22 | 26 | | | |
| 5136900300 | CTB/4-800/250 ECOWATT PLUS | 10 | 1430 | 45,0 | 0,32 | 840 | 38 | 44 | 8,5 | E91 | 1.281,30 |
| | | 8 | 1260 | 33,9 | 0,25 | 730 | 36 | 42 | | | |
| | | 6 | 1060 | 23,6 | 0,18 | 620 | 31 | 38 | | | |
| | | 4 | 850 | 16,7 | 0,13 | 500 | 26 | 31 | | | |
| 5136900200 | CTB/4-1300/315 ECOWATT PLUS | 10 | 1420 | 91,2 | 0,62 | 1.490 | 41 | 48 | 10,0 | E91 | 1.654,76 |
| | | 8 | 1250 | 64,7 | 0,46 | 1.300 | 38 | 44 | | | |
| | | 6 | 1050 | 41,6 | 0,30 | 1.080 | 34 | 41 | | | |
| | | 4 | 860 | 26,4 | 0,20 | 870 | 30 | 37 | | | |

* En el punto medio de la curva.

ACCESORIOS ESPECÍFICOS



Modelo

Consola de programación

PROSYS ECOWATT



Módulo para programador horario

TIMER RTC ECOWATT

(Ver códigos y precios en Accesorios Generales)

Serie CTBH ECOWATT



Ventiladores centrífugos de tejado autorregulados de tipo híbrido, con bajo perfil y descarga horizontal, para montar directamente a conducto circular. Diseñado para ventilación de viviendas y pequeños recintos, en cumplimiento del Código Técnico de Edificación.

Los ventiladores de la gama CTBH ECOWATT se ponen en funcionamiento de manera automática cuando las condiciones de temperatura no permiten obtener un caudal suficiente por tiro natural. Estructura y malla antipájaros de chapa galvanizada protegida por pintura poliéster negra, con cubierta de aluminio.

Dispone de junta estanqueidad en la brida de acoplamiento al conducto.

Motor:

Brushless EC de corriente continua, con rotor externo, de alto rendimiento y bajo consumo.

Alimentación 230V±15%/50-60Hz, IP44, protector térmico, e interruptor paro-marcha IP55, desplazable a distancia.



CAUDAL
CONSTANTE

Aplicaciones específicas



VMC
viviendas
colectivas

Es imprescindible comprobar que las características eléctricas (voltaje, intensidad, frecuencia, etc) del motor que aparecen en la placa del mismo son compatibles con las de la instalación.

| Código | Modelo | Intensidad absorbida máxima (W) | Potencia absorbida máxima (W) | Caudal máximo a 40 Pa (m³/h) | Peso (kg) | Nivel de presión sonora a 3 m* | | Grupo producto | Precio €/u. |
|------------|-------------------------|---------------------------------|-------------------------------|------------------------------|-----------|--------------------------------|---------|----------------|-------------|
| | | | | | | Aspiración | Radiado | | |
| 5136900800 | CTBH/4-500/200 ECOWATT | 0,19 | 27 | 500 | 7 | 51 | 57 | E91 | 1.247,48 |
| 5136900700 | CTBH/4-800/250 ECOWATT | 0,32 | 47 | 800 | 8,5 | 58 | 64 | E91 | 1.409,42 |
| 5136900600 | CTBH/4-1300/315 ECOWATT | 0,62 | 91 | 1.300 | 10 | 58 | 63 | E91 | 1.820,29 |

* En campo libre, en el punto medio de la curva (70% del caudal máximo - 40 Pa).

ACCESORIOS ESPECÍFICOS

| Código | Modelo | Grupo producto | Precio €/u. |
|------------|-------------------------|----------------|-------------|
| | Consola de programación | | |
| 5401630600 | PROSYS CTBH | E99 | 225,96 |

Serie OZEO FLAT AUTO 2V



Grupo autorregulable de VMC, Ventilación Mecánica Controlada, de bajo perfil y bajo nivel sonoro, que asegura la renovación permanente de aire en viviendas.

Garantiza los requisitos establecidos en el Código Técnico de la Edificación.

La unidad se complementa con entradas de aire autorregulables en las habitaciones principales (salón y dormitorios) y con bocas de extracción autorregulables en las zonas húmedas (baños y cocina).

Características

- Motor AC de 2 velocidades.
- Cuerpo de bajo perfil (<19 cm) de polipropileno expandido (EPP), lo que le confiere un muy bajo nivel sonoro y un peso mínimo (3 kg).
- Aspiración: 4 embocaduras Ø 80 pivotantes a 90º y 1 embocadura de Ø 125.

- Descarga: 1 embocadura de Ø 125, con adaptador incorporado para Ø 160.
- 4 tapones para obturar las embocaduras no utilizadas.
- Fijación para facilitar su montaje en falso techo.



Aplicaciones específicas



VMC viviendas unifamiliares



VMC viviendas colectivas

Es imprescindible comprobar que las características eléctricas (voltaje, intensidad, frecuencia, etc) del motor que aparecen en la placa del mismo son compatibles con las de la instalación.

| Código | Modelo | Motor | Tensión (V) | Potencia absorbida máxima (W) | | Potencia absorbida media (W) | | Intensidad absorbida máxima (A) | | Presión sonora a 3 m Lp (dB(A)) a 120 m³/h * | | Grupo producto | Precio €/u. |
|------------|-------------------|-------|-------------|-------------------------------|--------|------------------------------|--------|---------------------------------|--------|--|--------|----------------|-------------|
| | | | | V max. | V min. | V max. | V min. | V max. | V min. | V max. | V min. | | |
| 5209385400 | OZEO FLAT AUTO 2V | AC | 230 | 39 | 19 | 22 | 15 | 0,2 | 0,12 | 27 | 25 | E92 | 271,56 |

* Lp: dB (A) calculado 3 m a campo libre y equipo conducido.

ACCESORIOS ESPECÍFICOS



| Código | Modelo | Grupo producto | Precio €/u. |
|------------|--------------------|----------------|-------------|
| 5209124600 | INTERRUPTOR VMC 2V | E80 | 13,10 |

Serie OZEO FLAT H 2 / OZEO FLAT H ECOWATT



OZEO FLAT H 2



OZEO FLAT H ECOWATT

Grupo higrorregulable de VMC, Ventilación Mecánica Controlada, de bajo perfil y bajo nivel sonoro, que asegura la renovación permanente de aire en viviendas.

Garantiza los requisitos establecidos en el Código Técnico de la Edificación.

La unidad se complementa con entradas de aire higrorregulables en las habitaciones principales (salón y dormitorios) y con bocas de extracción higrorregulables en las zonas húmedas (baños y cocina). Este sistema contribuye a mejorar las prestaciones energéticas de la vivienda reduciendo el consumo de calefacción y a mejorar el confort del usuario.

Versiones

- OZEO FLAT H 2: motor AC, de curva plana.
- OZEO FLAT H ECOWATT: motor EC, de bajo consumo, con sistema antivibratorio y velocidad ajustable. Presión regulable mediante potenciómetro interno.

Características

- Cuerpo de bajo perfil (<19 cm) de polipropileno expandido (EPP), lo que le confiere un muy bajo nivel sonoro y un peso mínimo (3 kg).
- Aspiración: 4 embocaduras Ø 80 pivotantes a 90º y 1 embocadura de Ø 125.
- Descarga: 1 embocadura de Ø 125, con adaptador incorporado para Ø 160.
- Con 4 tapones Ø 80 y 1 Ø 125 para obturar las embocaduras no utilizadas.
- Fijación para facilitar su montaje en falso techo.



Aplicaciones específicas



VMC viviendas unifamiliares



VMC viviendas colectivas



Es imprescindible comprobar que las características eléctricas (voltaje, intensidad, frecuencia, etc) del motor que aparecen en la placa del mismo son compatibles con las de la instalación.

| Código | Modelo | Motor | Tensión (V) | Potencia absorbida máxima (W) | Potencia absorbida media (W) | Intensidad absorbida máxima (A) | Presión sonora a 3 m Lp (dB(A)) a 120 m³/h y 140 Pa | Grupo producto | Precio €/u. |
|------------|---------------------|-------|-------------|-------------------------------|------------------------------|---------------------------------|---|----------------|-------------|
| 5209353700 | OZEO FLAT H 2 | AC | 230 | 38 | 24 | 0,2 | 32 | E92 | 304,72 |
| 5209234800 | OZEO FLAT H ECOWATT | EC | 230 | 54 | 15 | 0,4 | 31 | E92 | 522,88 |

Serie OZEO E ECOWATT 2 / OZEO E ECOWATT CONTROL CO2



Grupo autorregulable de VMC, Ventilación Mecánica Controlada, que asegura la renovación permanente de aire en viviendas.

Garantiza los requisitos establecidos en el nuevo Código Técnico de Edificación.

La unidad se complementa con bocas de extracción autorregulables situadas en distintas estancias (cocina, aseos, cuartos de baño) y entradas de aire autorregulables situadas en las habitaciones principales (comedor, dormitorios).

El modelo OZEO E ECOWATT CONTROL CO2 regula su caudal proporcionalmente a la concentración de CO₂ detectada por la sonda.

El modelo OZEO E ECOWATT DHU regula su caudal proporcionalmente o mínimo-máximo en función de la humedad.

Versiones

- OZEO E ECOWATT 2 con control remoto por cable (no incluido).
- OZEO E ECOWATT 2 RF con control remoto por radiofrecuencia (incluido).
- OZEO E ECOWATT CONTROL CO2 con control remoto por radiofrecuencia y sonda CO₂ (incluidos).
- OZEO E ECOWATT DHU con control remoto por cable y sonda de humedad (incluidos).

Características

- Motor de 3 velocidades siendo una de ellas fija y las otras 2 ajustables, excepto versión DHU con 2 velocidades ajustables.
- 4 embocaduras de aspiración de Ø 125 mm para baños, aseos y cocina, desmontables y con junta de estanqueidad integrada y pivotante a 90°.
- 1 embocadura de descarga, de Ø 125 mm a conducto de evacuación, pivotante a 360°.
- 3 tapones para obturar las bocas no utilizadas.
- Plantilla para facilitar el montaje en el techo o en la pared.
- Sonda inalámbrica de CO₂ proporcional para el modelo OZEO E ECOWATT CONTROL CO2.
- Control remoto inalámbrico de 3 velocidades para los modelos OZEO E ECOWATT 2 RF y OZEO E ECOWATT CONTROL CO2.
- Sonda de humedad proporcional incorporada en el equipo y control remoto por cable para el modelo OZEO E ECOWATT DHU.

Aplicaciones específicas



VMC
viviendas
unifamiliares



VMC
viviendas
colectivas



Es imprescindible comprobar que las características eléctricas (voltaje, intensidad, frecuencia, etc) del motor que aparecen en la placa del mismo son compatibles con las de la instalación.

| Código | Modelo | Motor | Tensión (V) | Potencia absorbida máxima (W) | Intensidad absorbida máxima (A) | Presión sonora radiada Lp(a) a 3 m. (dB(A)) | Grupo producto | Precio €/u. |
|------------|----------------------------|-------|-------------|-------------------------------|---------------------------------|---|----------------|---------------|
| 5209244500 | OZEO E ECOWATT 2 | EC | 230 | 30 | 0,25 | 27 (300 m ³ /h - 100 Pa) | E92 | 522,88 |
| 5209244700 | OZEO E ECOWATT 2 RF | EC | 230 | 30 | 0,25 | 27 (300 m ³ /h - 100 Pa) | E92 | 622,69 |
| 5209659900 | OZEO E ECOWATT CONTROL CO2 | EC | 230 | 48 | 0,4 | 28 (325 m ³ /h - 150 Pa) | E92 | 975,36 |
| 5209069700 | OZEO E ECOWATT DHU | EC | 230 | 30 | 0,25 | 27 (300 m ³ /h - 100 Pa) | E92 | 606,69 |

ACCESORIOS SERIES OZEO-E

| Código | Modelo | Grupo producto | Precio €/u. |
|------------|-------------------|----------------|---------------|
| 5401321700 | INTER 3P | E99 | 64,94 |
| 5401642900 | MANDO RF MC2 | E99 | 81,43 |
| 5416996300 | SONDA CONTROL CO2 | E99 | 366,84 |
| 5401643400 | MANDO RF CO2 | E99 | 83,47 |

Serie OZEO H ST 2 / OZEO H ECOWATT 2



OZEO H ST 2



OZEO H ECOWATT 2

Grupo higrorregulable de VMC, Ventilación Mecánica Controlada, que asegura la renovación permanente del aire en viviendas. Garantiza los requisitos establecidos en el Código Técnico de la Edificación cumpliendo las indicaciones del Documento de Idoneidad Técnica DIT 623R/18. La caja se complementa con bocas de extracción higrorregulables situadas en distintas estancias (cocina, aseos, cuartos de baño) y entradas de aire situadas en las habitaciones principales (comedor, dormitorios) que permiten la introducción de aire nuevo. Este sistema contribuye a mejorar las prestaciones energéticas de la vivienda, reducir el consumo de calefacción y mejorar el confort del usuario. Concebido para un funcionamiento continuo, el caudal se ajusta automáticamente según la necesidad.



Características

- Motor con curva invertida (modelo ECOWATT) para tener un nivel de ruido y un consumo muy bajos.
- 6 embocaduras de aspiración de Ø 80 mm para baños y aseos.
- 1 embocadura de aspiración para la cocina de Ø 125 mm.
- 1 embocadura de descarga, de Ø 160 mm, a conducto de evacuación para conducir el aire viciado al exterior.
- Todas las embocaduras son desmontables, pivotantes a 90°, con bridas de conexión rápida sin necesidad de uso de herramientas o abrazaderas, y con juntas de estanqueidad de biinyección.
- Caja de bornes de acceso rápido.
- 4 tapas de plástico para obturar las embocaduras no utilizadas.
- Cuerda para montaje en suspensión.
- Plantilla para facilitar el montaje en el techo o en la pared.

Aplicaciones específicas



VMC viviendas unifamiliares



VMC viviendas colectivas

Es imprescindible comprobar que las características eléctricas (voltaje, intensidad, frecuencia, etc) del motor que aparecen en la placa del mismo son compatibles con las de la instalación.

| Código | Modelo | Motor | Tensión (V) | Potencia absorbida descarga libre (W) | Potencia absorbida media (W) | Intensidad absorbida (A) | Nivel de potencia sonora (dB(A))* | Grupo producto | Precio €/u. |
|------------|------------------|-------|-------------|---------------------------------------|------------------------------|--------------------------|-----------------------------------|----------------|-------------|
| 5209352900 | OZEO H ST 2 | AC | 230 | 35 | < 26 | 0,2 | 34 | E92 | 232,21 |
| 5209354100 | OZEO H ECOWATT 2 | EC | 230 | 50 | < 10 | 0,2 | 32 | E92 | 412,84 |

* En la boca de extracción de la cocina.

Serie VENTURIA E 2018



Grupo autorregulable de VMC, Ventilación Mecánica Controlada, que asegura la renovación permanente de aire en viviendas. Concebido para funcionamiento continuo, garantiza los requisitos establecidos en el Código Técnico de Edificación. Equipado con ventilador centrífugo, motor 230V-50Hz, de 1 velocidad. El sistema deberá incorporar, en las zonas húmedas de la casa (baños, aseos y cocina), los reguladores de caudal o bocas autorregulables adecuadas y, en las zonas secas (comedor, salón y dormitorios), aireadores de la gama ECA por donde se introducirá el aire del exterior.



Características

- Motor AC de 1 velocidad.
- 3 embocaduras de aspiración de Ø 80 mm, desmontables mediante un cuarto de vuelta y equipadas con dos anillos de pinzas, que permiten una conexión rápida y estancia de los conductos sin necesidad de usar herramientas ni abrazaderas. La cuarta embocadura quedará tapada.
- Embocadura de aspiración de Ø 125 mm.
- Embocadura de descarga de Ø 125 mm a conducto de evacuación, que permite extraer el aire viciado al exterior.
- Caja de bornes.
- 3 tapas de plástico para obturar las bocas de aspiración no utilizadas.
- Manguito equipado con enganches que facilitan la sujeción del conducto de extracción.

Aplicaciones específicas



VMC viviendas unifamiliares



VMC viviendas colectivas

| Código | Modelo | Tensión (V) | Potencia absorbida descarga libre (W) | Intensidad absorbida (A) | Nivel de potencia sonora (dB(A)) | Grupo producto | Precio €/u. |
|------------|-----------------|-------------|---------------------------------------|--------------------------|----------------------------------|----------------|-------------|
| 5209357400 | VENTURIA E 2018 | 230 | 39 | 0,3 | 50 | E92 | 180,22 |

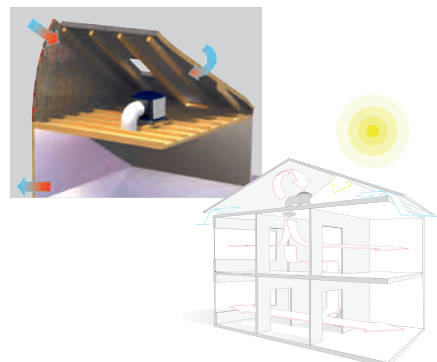
Serie PIV



Unidad de ventilación que permite configurar un sistema de ventilación por impulsión, para aquellas viviendas cuya distribución no permite integrar la red de conductos de un sistema VMC por extracción. El aparato toma el aire de la buhardilla, cuya temperatura es siempre más elevada que la exterior, lo hace pasar a través de su filtro G4, y lo impulsa por el pasillo de la casa, a toda la vivienda. El filtro G4 está sobredimensionado (a 270º) para alargar la vida útil del mismo. Dispone de 4 regímenes de funcionamiento con motor de corriente continua de muy bajo consumo, regulación automática de los caudales y batería eléctrica que permite una temperatura de impulsión constante. Especialmente indicado para mejorar problemas de humedades en la vivienda.

Características

- Filtro G4.
- Batería eléctrica de 500 W.
- Ventilador con motor de corriente continua.
- 1 boca de impulsión ø 200 mm.
- 1 m de conducto flexible ø 200 mm.
- 1 kit de fijación (tornillos y silent-blocks).



Versiones:

- PIV: modelo estándar.
- PIV BP: modelo equipado con by-pass para la toma directa de aire del exterior.

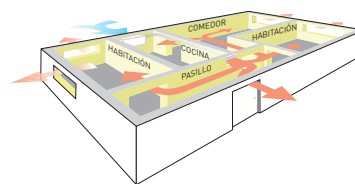
Es imprescindible comprobar que las características eléctricas (voltaje, intensidad, frecuencia, etc) del motor que aparecen en la placa del mismo son compatibles con las de la instalación.

| Código | Modelo | Tensión (V) | Motor | Potencia absorbida descarga libre (W) | Potencia de la batería de calefacción (W) | Caudal máximo (m³/h) | Nivel de presión sonora máx. a 3 m (dB(A)) | Protección/Aislamiento | Grupo producto | Precio €/u. |
|------------|--------|-------------|-------|---------------------------------------|---|----------------------|--|------------------------|----------------|-------------|
| 5209215300 | PIV | 230 | EC | 9 | 500 | 210 | 28 | IP20 / Clase II | E92 | 869,60 |
| 5209228400 | PIV BP | 230 | EC | 10 | 500 | 200 | 28 | IP20 / Clase II | E92 | 1.320,00 |

Serie PIV W



Unidad de ventilación que permite configurar un sistema de ventilación por impulsión, para aquellas viviendas cuya distribución no permite integrar la red de conductos de un sistema VMC por extracción. El aparato toma el aire del exterior, lo hace pasar a través de su filtro antiinsectos y lo impulsa por el pasillo de la casa, a toda la vivienda. Dispone de 4 regímenes de funcionamiento con motor de corriente continua de muy bajo consumo, regulación automática de los caudales y batería eléctrica que permite una temperatura de impulsión constante.



Configuración constructiva

- Filtro antiinsectos.
- Batería eléctrica de 500 W.
- Ventilador con motor de corriente continua.
- 1 Kit de fijación (tornillos y silent-blocks).

Es imprescindible comprobar que las características eléctricas (voltaje, intensidad, frecuencia, etc) del motor que aparecen en la placa del mismo son compatibles con las de la instalación.

| Código | Modelo | Tensión (V) | Motor | Potencia absorbida descarga libre (W) | Potencia de la batería de calefacción (W) | Caudal máximo (m³/h) | Nivel de presión sonora máx. a 3 m (dB(A)) | Protección/Aislamiento | Grupo producto | Precio €/u. |
|------------|--------|-------------|-------|---------------------------------------|---|----------------------|--|------------------------|----------------|-------------|
| 5209228300 | PIV W | 230 | EC | 11 | 500 | 112 | 28 | IP20 / Clase II | E92 | 1.025,95 |

ACCESORIOS SERIES PIV Y PIV-W

| Código | Modelo | Grupo producto | Precio €/u. |
|-------------|------------------|----------------|-------------|
| Filtros PIV | | | |
| 5402080300 | FILTRO G4 PIV | E99 | 19,69 |
| 5402079900 | FILTRO G4 PIV BP | E99 | 52,22 |
| 5402079800 | FILTRO EVF PIV W | E99 | 14,99 |

Serie ALTAIR

Ampliación de gama



ALTAIR 120 H / ALTAIR 160 H



ALTAIR 120 V

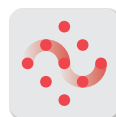
VMC de doble flujo para viviendas, con intercambiador de calor de tipo contraflujo de alto rendimiento (hasta el 88%) y motores EC de corriente continua, de muy bajo consumo. Asegura la renovación permanente del aire de la vivienda, y garantiza los requerimientos del Código Técnico de Edificación. Su diseño extraplano le permite una fácil instalación en falso techos en horizontal (ALTAIR 120 H y ALTAIR 160 H) o en pared en vertical (ALTAIR 120 V), especialmente en muros técnicos preparados para alojar cisternas empotradas. Dispone de sonda de humedad que permite ajustar el caudal de extracción a la humedad presente en el interior de la vivienda. Incorpora filtros de impulsión y extracción. Incluye control remoto que permite modificar el caudal y el funcionamiento manual o automático (por sonda). Es aconsejable el uso de un silenciador LAF 95 (accesorio no incluido). La unidad ALTAIR se puede comunicar con el sistema domótico por Modbus u otros protocolos por pasarela. Mediante la placa de comunicaciones SPCM-1 la unidad ALTAIR se comunica con la plataforma CONNECTAIR que permite su control a distancia.

Características

- Intercambiador a contraflujo con rendimiento hasta 88%.
- Motor EC de bajo consumo.
- Ventiladores centrífugos con rodete de álabes hacia adelante.
- Conexión Modbus.
- Cuerpo de EPP.
- 4 embocaduras Ø100 mm (ALTAIR 120).
- 4 embocaduras Ø125 mm (ALTAIR 160).
- Filtro de impulsión: G4 (ISO coarse 65%). En opción M5 (ISO ePM10 50%).
- Filtro de extracción G4 (ISO coarse 65%).



BAJO PERFIL



Connectair

Mediante el módulo SPCM-1, la unidad puede acceder a Connectair, la IoT de S&P que permite el control del equipo desde cualquier dispositivo conectado a internet.

Aplicaciones específicas



VMC viviendas unifamiliares



VMC viviendas colectivas



Recuperación de calor

Es imprescindible comprobar que las características eléctricas (voltaje, intensidad, frecuencia, etc) del motor que aparecen en la placa del mismo son compatibles con las de la instalación.

| Código | Modelo | Eficiencia (%) | Tensión | Caudal máximo, a 100 Pa (m³/h) | Nivel de presión sonora a 1,5 m (120 m³/h - 100 Pa) (dB(A)) | Potencia absorbida máxima (W) | Grupo producto | Precio €/u. |
|------------|--------------|----------------|-----------|--------------------------------|---|-------------------------------|----------------|-----------------|
| 5153811000 | ALTAIR 120 H | 88 | 230V 50Hz | 120 | 38 | 53 | E93 | 2.240,38 |
| 5153811200 | ALTAIR 120 V | 88 | 230V 50Hz | 120 | 38 | 53 | E93 | 2.240,38 |
| 5153182800 | ALTAIR 160 H | 87 | 230V 50Hz | 160 | 36 | 74 | E93 | 2.371,20 |

NOVEDAD

ACCESORIOS SERIE ALTAIR

| Código | Modelo | Grupo producto | Precio €/u. |
|--------------------------------|------------------------------|----------------|---------------|
| Kits filtros | | | |
| 5153821000 | KIT FILTROS G4/G4 ALTAIR 120 | E99 | 48,63 |
| 5153831700 | KIT FILTROS G4/M5 ALTAIR 120 | E99 | 53,75 |
| 5416069200 | KIT FILTROS G4/G4 ALTAIR 160 | E99 | 58,36 |
| 5416069300 | KIT FILTROS G4/M5 ALTAIR 160 | E99 | 64,51 |
| Conexiones acústicas flexibles | | | |
| 5209358600 | LAF 95 0,5M-50 | E99 | 68,01 |
| 5209358500 | LAF 95 1M-50 | E99 | 77,76 |
| Pantalla táctil | | | |
| 5401221200 | TSP-PLUS | E99 | 826,75 |
| Módulo de comunicación | | | |
| 5800015800 | SPCM-1 | E99 | 473,29 |

NOVEDAD

AXB - Intercambiador de flujos **NOVEDAD**



Las unidades AXB se utilizan para intercambiar los flujos de aire nuevo y aire extraído en las conexiones de un intercambiador de calor doméstico.

- AXB 100
- AXB 125

Aplicaciones específicas



VMC
viviendas
unifamiliares

| Código | Modelo | Grupo producto | Precio €/u. |
|------------|---------|----------------|-------------|
| 5800060400 | AXB 100 | E99 | 218,85 |
| 5800060500 | AXB 125 | E99 | 250,74 |

Posibilidades de instalación

Montaje directo

Compatible, exclusivamente, con recuperadores de calor de la gama ALTAIR.

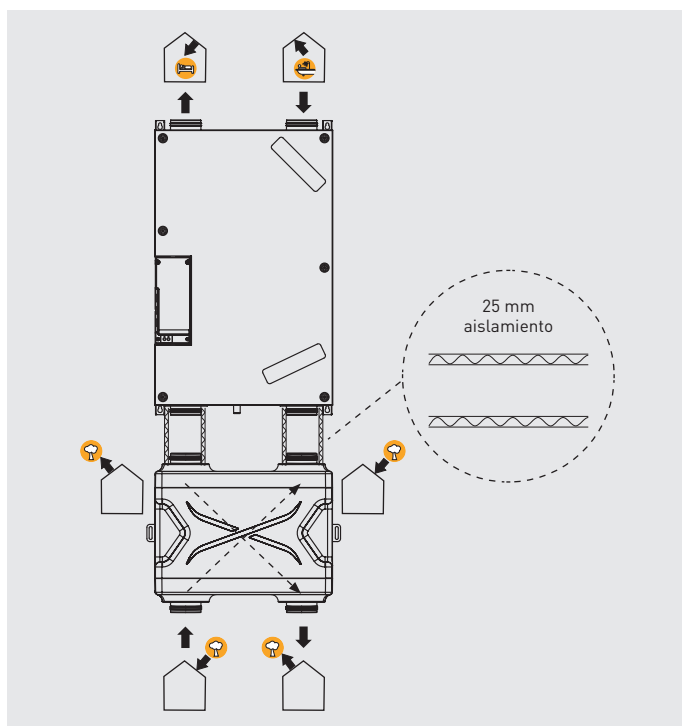
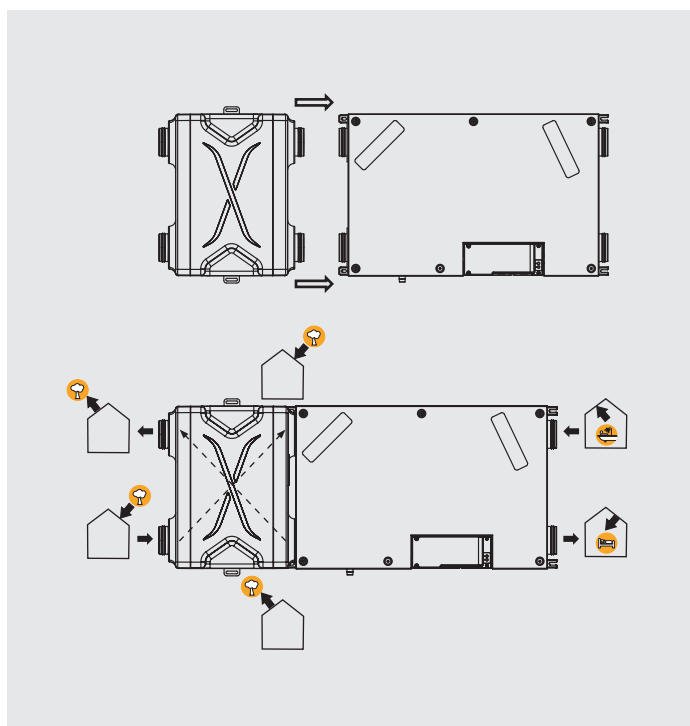
- AXB 100: para ser instalado con ALTAIR 125
- AXB 125: para ser instalado con ALTAIR 160

Instalación en falso techo/sobre pared. Los intercambiadores AXB se pueden instalar aguas arriba o aguas abajo del recuperador de calor en función de los requerimientos.

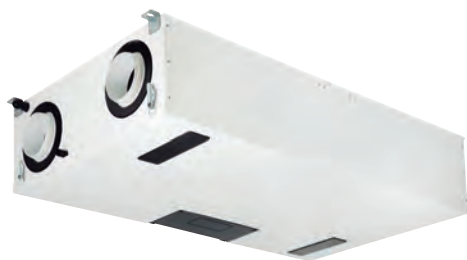
Montaje con conductos

Compatibilidad universal. Se necesitarán conductos flexibles (no incluidos) para conectar el intercambiador AXB con el recuperador de calor.

Instalación en falso techo/sobre pared. Los intercambiadores AXB se pueden instalar aguas arriba o aguas abajo del recuperador de calor en función de los requerimientos. Si se instalan en el lado exterior, se necesitará disponer de conductos flexibles aislados (no incluidos).



Serie NEMBUS 210



VMC de doble flujo para viviendas, con intercambiador de calor de tipo contraflujo de alto rendimiento (hasta el 92%), con motor EC de corriente continua de bajo consumo y bajo nivel sonoro. Asegura la renovación permanente de aire de las viviendas y garantiza los requisitos requeridos en el Código Técnico de Edificación. Dispone de Certificado Passivhaus. Mediante la placa de comunicaciones SPCM la unidad NEMBUS se comunica con la plataforma CONNECTAIR que permite su control a distancia. La unidad NEMBUS se puede comunicar con el sistema domótico por Modbus u otros protocolos por pasarela.

Características

- Intercambiador a contraflujo con rendimiento hasta 92%.
- Conexión Modbus.
- Ventiladores centrífugos a velocidad constante.
- Control remoto por cable.
- Filtro de impulsión/extracción G4 (ISO coarse 65%, a 140 m³/h), F7 (ISO ePM1 70%, a 140 m³/h) o M5 (ISO ePM10 50%, a 140 m³/h) opcional.
- By-pass 100% automático o manual.
- 4 embocaduras de Ø 125 mm.
- Instalación en falso techo o pared.
- Modularidad:
 - Batería de pre calefacción integrable (opcional).
 - Modulo SERVOFLOW para caudal constante (opcional).
 - Conectividad mediante el modulo de comunicación SPCM (opcional).
 - Sensor VOC integrable (opcional).
- Entrada 0-10 V.



Connectair
Mediante el módulo SPCM, la unidad puede acceder a Connectair, la IoT de S&P que permite el control del equipo desde cualquier dispositivo conectado a internet.



BAJO PERFIL

Aplicaciones específicas



VMC
viviendas
unifamiliares



VMC
viviendas
colectivas



Recuperación
de calor

Es imprescindible comprobar que las características eléctricas (voltaje, intensidad, frecuencia, etc) del motor que aparecen en la placa del mismo son compatibles con las de la instalación.

| Código | Modelo | Eficiencia (%) | Tensión (V) | Caudal máximo, a 100 Pa (m ³ /h) | Nivel de presión sonora a 1,5 m (160 m ³ /h - 100 Pa) (dB(A)) | Potencia absorbida máxima (W) | Grupo producto | Precio €/u. |
|------------|------------|----------------|-------------|---|--|-------------------------------|----------------|-------------|
| 5153120200 | NEMBUS 210 | 84 | 230 | 230 | 36 | 75 | E93 | 2.996,82 |

ACCESORIOS SERIE NEMBUS 210

| Código | Modelo | Grupo producto | Precio €/u. |
|------------|----------------------------|----------------|-------------|
| | Kits filtros | | |
| 5800047300 | NEMBUS210-F-G4G4 | E99 | 50,34 |
| 5800047400 | NEMBUS210-F-G4F7 | E99 | 60,07 |
| | Batería precalefacción | | |
| 5800018200 | NEMBUS210-PH | E99 | 629,37 |
| | Sifón seco | | |
| 5800015700 | DSI | E99 | 129,24 |
| | Módulo de caudal constante | | |
| 5800017800 | SABIK-NEMBUS-SF | E99 | 455,62 |
| | Sonda VOC | | |
| 5800018800 | NEMBUS-VOC | E99 | 196,98 |
| | Módulo de comunicación | | |
| 5800016200 | SPCM | E99 | 473,29 |

Serie SLIMLINE



VMC de doble flujo para viviendas, con intercambiador de calor de tipo contraflujo de alto rendimiento (hasta el 95%) y motor EC de corriente continua, de muy bajo consumo.

Asegura la renovación permanente de aire de las viviendas y garantiza los requisitos requeridos en el Código Técnico de Edificación.

Su diseño le permite su instalación en falsos techos y vertical sobre pared.

Incorpora by-pass 100% automático, y filtros de impulsión y extracción.

Dispone de batería eléctrica de precalfacción incorporada.

Para optimizar el consumo de energía y la calidad de aire, se puede conectar a un sensor de CO₂, humedad u otros.

Dos diferentes mandos pueden controlar el equipo: mando de selección de velocidades y el mando avanzado AIRCONTROL.

Modelos SLIMLINE PLUS para gestión de equipos a través de accesorios 0-10V.

En caso de comunicación por Modbus, debe usarse el MÓDULO MODBUS SLIMLINE.

Características

- Intercambiador a contraflujo con rendimiento hasta 95%.
- Motor EC de bajo consumo.
- Ventiladores centrífugos con rodete de álabes hacia atrás.
- Cuerpo de EPS y envolvente metálica.
- By-pass 100% automático.
- Filtro de impulsión: G4 (ISO coarse 60%).
En opción, F7 (ISO ePM1 50%).
- Filtro de extracción G4 (ISO coarse 60%).
- Conexión Modbus (opcional).



BAJO PERFIL

Aplicaciones específicas



VMC viviendas unifamiliares



VMC viviendas colectivas



Recuperación de calor

Es imprescindible comprobar que las características eléctricas (voltaje, intensidad, frecuencia, etc) del motor que aparecen en la placa del mismo son compatibles con las de la instalación.

| Código | Modelo | Eficiencia (%) | Tensión (V) | Caudal máximo, a 100 Pa (m ³ /h) | Nivel de presión sonora a 1,5 m (dB(A)) | Potencia absorbida máxima (W) | Grupo producto | Precio €/u. |
|------------|-------------------|----------------|-------------|---|---|-------------------------------|----------------|-----------------|
| 5153147800 | SLIMLINE 150 | 83 | 230 | 150 | 31 (150 m ³ /h - 100 Pa) | 72 | E93 | 2.741,94 |
| 5153147900 | SLIMLINE 200 | 83 | 230 | 200 | 38 (200 m ³ /h - 100 Pa) | 114 | E93 | 2.796,65 |
| 5153148000 | SLIMLINE 300 | 84 | 230 | 300 | 41 (300 m ³ /h - 150 Pa) | 162 | E93 | 2.836,41 |
| 5153176800 | SLIMLINE 150 PLUS | 83 | 230 | 150 | 31 (150 m ³ /h - 100 Pa) | 72 | E93 | 3.199,08 |
| 5153176900 | SLIMLINE 200 PLUS | 83 | 230 | 200 | 38 (200 m ³ /h - 100 Pa) | 114 | E93 | 3.258,53 |
| 5153177000 | SLIMLINE 300 PLUS | 84 | 230 | 300 | 41 (300 m ³ /h - 150 Pa) | 162 | E93 | 3.449,09 |

ACCESORIOS SERIE SLIMLINE

| Código | Modelo | Grupo producto | Precio €/u. |
|-----------------------------------|-----------------------------|----------------|---------------|
| Kits filtros | | | |
| 5416056000 | KIT G4/G4 SLIMLINE 150 | E99 | 26,75 |
| 5416056100 | KIT G4/G4 SLIMLINE 200 | E99 | 26,75 |
| 5416056200 | KIT G4/G4 SLIMLINE 300 | E99 | 28,40 |
| Mando control 4 posiciones | | | |
| 5153147600 | MANDO SLIMLINE 4 POSICIONES | E99 | 138,73 |
| Mando control avanzado | | | |
| 5153147500 | AIR CONTROL SLIMLINE | E99 | 419,79 |
| Módulo de comunicación por Modbus | | | |
| 5153176700 | MODULO MODBUS SLIMLINE | E99 | 624,55 |

Serie AD 160



VMC de doble flujo para viviendas, con intercambiador de calor de tipo contraflujo de alto rendimiento (hasta el 92%), con velocidad constante y motor EC de corriente continua de bajo consumo y bajo nivel sonoro.

Asegura la renovación permanente de aire de las viviendas y garantiza los requisitos requeridos en el Código Técnico de Edificación.

Dispone de Certificado Passivhaus.

Características

- Intercambiador a contraflujo con rendimiento hasta 92%.
- Ventiladores centrífugos con regulación a velocidad constante.
- Control remoto por cable. (Radiofrecuencia opcional)
- Filtro de impulsión/extracción G4 (ISO coarse 75%, a 140 m³/h), F7 (ISO ePM1 65%, a 140 m³/h) opcional.
- By-pass 100% automático.
- 4 embocaduras de Ø 125 mm.
- Instalación en falso techo o pared.



BAJO PERFIL



Aplicaciones específicas



VMC viviendas unifamiliares



VMC viviendas colectivas



Recuperación de calor

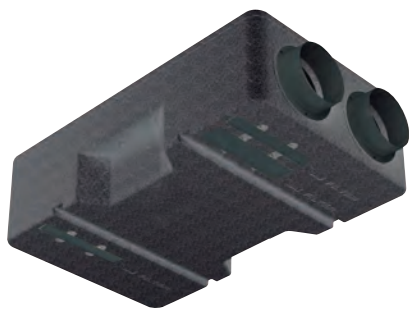
Es imprescindible comprobar que las características eléctricas (voltaje, intensidad, frecuencia, etc) del motor que aparecen en la placa del mismo son compatibles con las de la instalación.

| Código | Modelo | Motor | Tensión (V) | Caudal máximo, a 100 Pa (m ³ /h) | Potencia absorbida (W) | Potencia sonora radiada (dB(A)) (200 m ³ /h - 90 Pa) | Eficiencia a 210 m ³ /h (%) | Peso (kg) | Grupo producto | Precio €/u. |
|------------|--------|-------|-------------|---|------------------------|---|--|-----------|----------------|-----------------|
| 5205002100 | AD160 | EC | 230 | 260 | 125 | 48 | 84 | 34 | E93 | 3.249,18 |

ACCESORIOS SERIE AD

| Código | Modelo | Grupo producto | Precio €/u. | Código | Modelo | Grupo producto | Precio €/u. |
|-----------------------|-------------|----------------|---------------|------------|----------|----------------|---------------|
| Kits filtros | | | | Sensor HR | | | |
| 5205002500 | ADFG4F7-160 | E99 | 124,65 | 5209383800 | ADFF-160 | E99 | 388,00 |
| 5205002600 | ADFG4-160 | E99 | 121,21 | Sensor VOC | | | |
| Mando radiofrecuencia | | | | 5209383700 | ADRF-160 | E99 | 234,80 |
| 5205002400 | AP-RC | E99 | 556,27 | | | | |

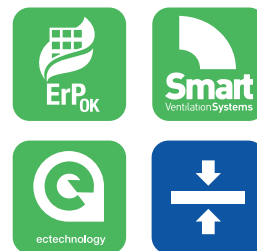
Serie BR 25 BASIC



VMC de doble flujo para viviendas, con intercambiador de calor de tipo contraflujo, con un rendimiento hasta el 90%.
Asegura la renovación permanente de aire de las viviendas y garantiza los requisitos requeridos en el Código Técnico de Edificación.
Equipado con 2 ventiladores centrífugos para impulsión y extracción, cada uno con motor 230V-50Hz de conmutación electrónica, Clase B, concebido para funcionamiento continuo y caja de bornes para conectar el cable de alimentación.

Características

- Para instalación en falso techo.
- Cuerpo fabricado en EPS de alta densidad.
- Filtro G4 (ISO coarse 60%) en extracción e impulsión F7 (ISO ePM2,5 65%) opcional en impulsión.



BAJO PERFIL

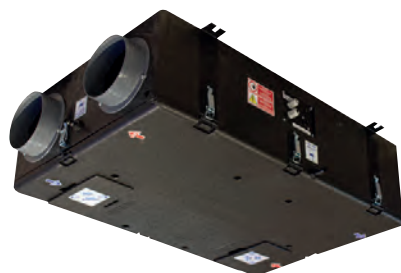
Aplicaciones específicas



Es imprescindible comprobar que las características eléctricas (voltaje, intensidad, frecuencia, etc) del motor que aparecen en la placa del mismo son compatibles con las de la instalación.

| Código | Modelo | Eficiencia a 160 m³/h (%) | Tensión (V) | Caudal máximo, a 100 Pa (m³/h) | Nivel de presión sonora a 1,5 m (115 m³/h - 50 Pa) (dB(A)) | Potencia absorbida máxima (W) | Grupo producto | Precio €/u. |
|------------|-------------|---------------------------|-------------|--------------------------------|--|-------------------------------|----------------|-------------|
| 5153135500 | BR 25 BASIC | 89 | 230 | 160 | 35 | 60 | E93 | 1.824,28 |

Serie BR 25



VMC de doble flujo para viviendas, con intercambiador de calor de tipo contraflujo, con un rendimiento hasta el 85%.
Asegura la renovación permanente de aire de las viviendas y garantiza los requisitos requeridos en el Código Técnico de Edificación.
Equipado con 2 ventiladores centrífugos para impulsión y extracción, cada uno con motor 230V-50Hz de conmutación electrónica, Clase B, concebido para funcionamiento continuo y caja de bornes para conectar el cable de alimentación.

Características

- Para instalación en falso techo y en pared en posición vertical.
- Cuerpo fabricado en EPP.
- Filtro G4 (ISO coarse 60%) en extracción e impulsión F7 (ISO ePM2,5 65%) opcional en impulsión.
- Bypass automático.
- Alarma de cambio de filtros.
- Mando remoto inalámbrico.
- Modelo BR 25 PLUS E, con intercambiador de calor entálpico.
- Reversibilidad Impulsión / Extracción.



BAJO PERFIL

RECUPERACIÓN DE CALOR ENTÁLPICA

Aplicaciones específicas



Es imprescindible comprobar que las características eléctricas (voltaje, intensidad, frecuencia, etc) del motor que aparecen en la placa del mismo son compatibles con las de la instalación.

| Código | Modelo | Eficiencia ErP (%) | Tensión (V) | Caudal máximo, a 100 Pa (m³/h) | Nivel de presión sonora a 1,5 m (a caudal de referencia - 50 Pa) (dB(A)) | Potencia absorbida máxima (W) | Grupo producto | Precio €/u. |
|------------|------------------|--------------------|-------------|--------------------------------|--|-------------------------------|----------------|-------------|
| 5153135600 | BR 25 - A | 81 | 230 | 180 | 32 | 60 | E93 | 2.452,86 |
| 5153141700 | BR 25 - B | 81 | 230 | 180 | 32 | 60 | E93 | 2.452,86 |
| 5153140300 | BR 25 E - A | 81 | 230 | 180 | 32 | 60 | E93 | 2.965,00 |
| 5153141800 | BR 25 E - B | 81 | 230 | 180 | 32 | 60 | E93 | 2.965,00 |
| 5153135700 | BR 25 PLUS - A | 77 | 230 | 250 | 36 | 114 | E93 | 2.678,21 |
| 5153141900 | BR 25 PLUS - B | 77 | 230 | 250 | 36 | 114 | E93 | 2.678,21 |
| 5153135800 | BR 25 PLUS E - A | 77 | 230 | 250 | 36 | 114 | E93 | 3.171,15 |
| 5153142000 | BR 25 PLUS E - B | 77 | 230 | 250 | 36 | 114 | E93 | 3.171,15 |

ACCESORIOS SERIES BR







| Código | Modelo | Grupo producto | Precio €/u. |
|--------------|--------------------|----------------|--------------|
| Kits filtros | | | |
| 5416029000 | KIT G4/G4 BR BASIC | E99 | 83,49 |
| 5416029100 | KIT G4/G4 BR 25 | E99 | 87,67 |
| 5416029200 | KIT F7 BR BASIC | E99 | 91,29 |
| 5416029300 | KIT F7 BR 25 | E99 | 95,80 |

ACCESORIOS ELÉCTRICOS SERIES BR

| Código | Modelo | Grupo producto | Precio €/u. |
|--|--------|----------------|---------------|
| Mando control básico por radiofrecuencia | | | |
| 5401220300 | 4BRF | E99 | 143,83 |
| Mando control avanzado por radiofrecuencia | | | |
| 5401220200 | DSPRF | E99 | 297,21 |
| Sonda humedad radiofrecuencia | | | |
| 5401219800 | RHRF | E99 | 270,84 |

| Código | Modelo | Grupo producto | Precio €/u. |
|--|----------|----------------|---------------|
| Sonda CO ₂ radiofrecuencia | | | |
| 5401219900 | CO2RF | E99 | 570,28 |
| Módulo comunicación MODBUS radiofrecuencia | | | |
| 5401220000 | MODBUSRF | E99 | 329,46 |
| Módulo comunicación APP radiofrecuencia | | | |
| 5401220100 | APPRF | E99 | 398,95 |

Tabla de funcionalidades de los accesorios eléctricos para las series BR

| | Modelo | Control de velocidad | By-pass | Antihielo | Alarma filtros | Control de la humedad | Control CO ₂ | Función booster | Transmisor MODBUS | Ajustes de velocidad | ON/OFF | Alarma puntuales |
|---|----------|----------------------|---------|-----------|----------------|-----------------------|-------------------------|-----------------|-------------------|----------------------|--------|------------------|
|  | 4BRF | • | • | • | • | | | • | | | | |
|  | DSPRF | • | • | • | • | | | • | | • | • | • |
|  | RHRF | • | • | • | • | • | | | | | | |
|  | CO2RF | • | • | • | • | | • | | | | | |
|  | MODBUSRF | | | | | | | | • | | | |
|  | APPRF | • | • | • | • | | | • | • | | | |

Serie FLEXEO 3V



Módulo recuperador de calor estático CADS-FLEXEO BP



Módulos motoventiladores VENT-FLEXEO (impulsión y extracción)

Conjunto formado por un recuperador de calor estático de alta eficiencia (hasta el 94%) con by-pass, y 2 ventiladores (uno de impulsión y otro de extracción). Todos los elementos del conjunto son de bajo perfil (300 mm) y peso reducido, lo que permite su instalación en falsos techos en viviendas. La configuración independiente de los distintos módulos (intercambiador, con by-pass, ventilador de impulsión y ventilador de extracción) permite total flexibilidad de ubicación e instalación. Equipados con filtro de impulsión y filtro de extracción. Disponen de control remoto que permite ajustar la función boost, el by-pass y la alarma de filtros sucios. Incorpora by-pass 100%, de accionamiento manual o automático, cuyo diseño permite mantener el bajo perfil del recuperador de manera que no impide su perfecta instalación en falsos techos.

Versiones

- FLEXEO BP FL 3V: Control remoto por cable.
- FLEXEO BP RD 3V: Control remoto por radiofrecuencia.

Características

- Intercambiador a contraflujo con rendimiento hasta 94%.
- Cuerpo de EPP.
- Toberas pivotantes 90°.
- 2 módulos ventilador (impulsión y extracción).
- By-pass 100% manual o automático.
- 3 velocidades.
- Filtro de impulsión: M5 (ISO ePM10 50%, a 210 m³/h). En opción, F7 (ISO ePM1 50%, a 210 m³/h).
- Filtro de extracción G4 (ISO coarse 60%, a 210 m³/h)
- Kit de instalación mural o de techo.
- Fácil acceso al intercambiador.
- Conexión MODBUS.
- Entrada 0-10 V.



BAJO PERFIL

Aplicaciones específicas



VMC viviendas unifamiliares



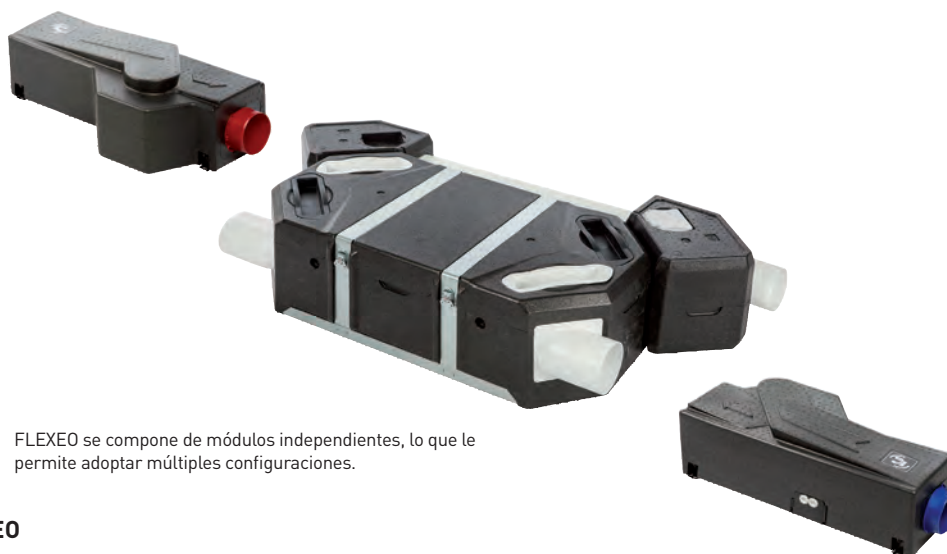
VMC viviendas colectivas



Recuperación de calor

Es imprescindible comprobar que las características eléctricas (voltaje, intensidad, frecuencia, etc) del motor que aparecen en la placa del mismo son compatibles con las de la instalación.

| Código | Modelo | Toberas (mm) | Tensión (V) | Caudal máximo (m ³ /h) | Potencia absorbida (W) | Eficiencia máxima (%) | Grupo producto | Precio €/u. |
|------------|-----------------|--------------|-------------|-----------------------------------|------------------------|-----------------------|----------------|-------------|
| 5153812300 | FLEXEO BP FL 3V | 125 | 230 | 210 | 100 | 94 | E93 | 2.845,76 |
| 5153812400 | FLEXEO BP RD 3V | 125 | 230 | 210 | 100 | 94 | E93 | 2.874,71 |



FLEXEO se compone de módulos independientes, lo que le permite adoptar múltiples configuraciones.

ACCESORIOS FLEXEO

| Código | Modelo | Grupo producto | Precio €/u. |
|--------------|------------------|----------------|-------------|
| Kits filtros | | | |
| 5416804100 | KIT M5/G4 FLEXEO | E99 | 64,89 |

Serie ORKA HR



ORKA HR



ORKA HR D150

VMC de doble flujo para viviendas, con intercambiador de calor de tipo contraflujo, con un rendimiento de hasta el 90%.

Asegura la renovación permanente de aire de las viviendas y garantiza los requisitos requeridos en el Código Técnico de Edificación.

Equipado con 2 ventiladores centrífugos, para impulsión y extracción, cada uno con motor 230V-50Hz, Clase B, 3 velocidades, concebido para funcionamiento continuo y caja de bornes para conectar el cable de alimentación.

By-pass 100% manual.

Equipado con alarma de cambio de filtros.

Equipo multiposición que permite ser instalado en suelo, falso techo y pared.

Dispone de filtro M5 (ISO ePM10 50%, a 210 m³/h) en la impulsión y G4 (ISO coarse 65%, a 210 m³/h) en la extracción.

En caso de temperaturas exteriores bajas se debe instalar una batería de precalificación en la admisión.



Aplicaciones específicas



VMC viviendas unifamiliares



VMC viviendas colectivas



Recuperación de calor

Serie ORKA ST



ORKA ST



ORKA ST D150

VMC de doble flujo para viviendas, con intercambiador de calor de flujos cruzados, con un rendimiento de hasta el 70%.

Asegura la renovación permanente de aire de las viviendas y garantiza los requisitos requeridos en el Código Técnico de Edificación.

Equipado con 2 ventiladores centrífugos, para impulsión y extracción, cada uno con motor 230V-50Hz, Clase B, 3 velocidades, concebido para funcionamiento continuo y caja de bornes para conectar el cable de alimentación.

By Pass 100% con activación manual.

Equipado con alarma de cambio de filtros extraíble.

Equipo multiposición que permite ser instalado en suelo y en falso techo.

Dispone de filtro M5 (ISO ePM10 50%, a 210 m³/h) en la impulsión y G4 (ISO coarse 65%, a 210 m³/h) en la extracción.

En caso de temperaturas exteriores bajas se debe instalar una batería de precalificación en la admisión.



Aplicaciones específicas



VMC viviendas unifamiliares



VMC viviendas colectivas



Recuperación de calor

Es imprescindible comprobar que las características eléctricas (voltaje, intensidad, frecuencia, etc) del motor que aparecen en la placa del mismo son compatibles con las de la instalación.

| Código | Modelo | Tensión (V) | Potencia absorbida a descarga libre (Máxima) (W) | Rendimiento caudal de referencia* | Nivel de potencia sonora (dB(A)) | Configuración | Peso (kg) | Grupo producto | Precio €/u. |
|------------|--------------|-------------|--|-----------------------------------|----------------------------------|--|-----------|----------------|-----------------|
| 5153833000 | ORKA HR | 230 | 145 | 85 | 52 | 4 embocaduras de aspiración de 80 mm 1 embocadura de aspiración de 125 mm | 20 | E93 | 1.834,02 |
| 5153833200 | ORKA HR D150 | 230 | 145 | 85 | 52 | 1 embocadura de aspiración de 150 mm 1 embocadura de aspiración de 125 mm | 20 | E93 | 1.797,35 |
| 5153832900 | ORKA ST | 230 | 145 | 66 | 52 | 4 embocaduras de aspiración de 80 mm 1 embocadura de aspiración de 125 mm | 20 | E93 | 1.341,13 |
| 5153833100 | ORKA ST D150 | 230 | 145 | 66 | 52 | 1 embocadura de aspiración de 150 mm 1 embocadura de aspiración de 125 mm | 20 | E93 | 1.318,85 |

* Temperatura exterior: 5°C. Humedad relativa exterior: no significativa. Temperatura interior: 25°C. Humedad relativa interior: 30%.

ACCESORIOS ORKA

| Código | Modelo | Grupo producto | Precio €/u. |
|--------------|----------------|----------------|--------------|
| Kits filtros | | | |
| 5416996600 | KIT G4/G4 ORKA | E99 | 48,51 |
| 5416996500 | KIT M5/G4 ORKA | E99 | 51,64 |

| Código | Modelo | Grupo producto | Precio €/u. |
|------------|---------------------|----------------|--------------|
| Conmutador | | | |
| 5153832800 | MANDO TIMER 12M S&P | E99 | 40,16 |

Serie SABIK / SABIK E

Ampliación de gama



VMC de doble flujo para viviendas, con intercambiador de calor de tipo contraflujo de alto rendimiento (hasta el 92%). También disponible en versión entálpica (recuperación de temperatura y humedad). El motor EC de corriente continua asegura un bajo consumo y un bajo nivel sonoro. La renovación permanente de aire de la vivienda garantiza el cumplimiento de los requisitos del Código Técnico de Edificación. Amplia gama de recuperadores que permite cubrir las necesidades de ventilación para cualquier tipología de vivienda. El diseño del SABIK proporciona una alta estanqueidad y un aislamiento térmico elevado. Producto versátil pensado para una fácil instalación gracias a su modularidad y reversibilidad de sus circuitos. Incluye filtros de impulsión y extracción Coarse 65% (G4). Opcional ePM1 70% (F7 en impulsión). Dispone de un bypass 100% automático y/o manual.

Características

- Recuperador contraflujo (Disponible en entálpico).
- Motores EC de bajo consumo.
- 100% Bypass automático/manual.
- Reversibilidad.
- Posibilidad de impulsión por la cara inferior.
- User friendly.
- Install friendly.
- Certificado Passivhaus.
- Modularidad:
 - Batería de precalfacción integrable (opcional).
 - Módulo SERVOFLOW para caudal constante (opcional).
 - Sonda VOC integrable (opcional).
- Conectividad mediante el módulo de comunicación SPCM (opcional).
- Entrada 0-10 V.
- Simetría A/B para intercambiar los circuitos de aire.



Connectair

Mediante el módulo SPCM, la unidad puede acceder a Connectair, la IoT de S&P que permite el control del equipo desde cualquier dispositivo conectado a internet.



Aplicaciones específicas



VMC viviendas unifamiliares



VMC viviendas colectivas



Recuperación de calor

Es imprescindible comprobar que las características eléctricas (voltaje, intensidad, frecuencia, etc) del motor que aparecen en la placa del mismo son compatibles con las de la instalación.

| Código | Modelo | Alimentación | Caudal máximo a 100 Pa (m³/h) | Nivel de presión sonora a 1,5 m (dB(A)) | Potencia absorbida máxima (W) | Eficiencia ErP (%) | Grupo producto | Precio €/u. |
|---|-------------|--------------|-------------------------------|---|-------------------------------|--------------------|----------------|-----------------|
| Modelos estándar (recuperador sensible) | | | | | | | | |
| 5153139800 | SABIK 210 | 230V 50/60Hz | 225 | 36,5 (140 m³/h a 100 Pa) | 87 | 87 | E93 | 2.938,71 |
| 5153139200 | SABIK 350 | 230V 50/60Hz | 375 | 37,7 (250 m³/h a 135 Pa) | 145 | 85 | E93 | 3.136,41 |
| 5153139300 | SABIK 500 | 230V 50/60Hz | 550 | 43,1 (400 m³/h a 150 Pa) | 265 | 85 | E93 | 3.680,47 |
| Modelos entálpicos | | | | | | | | |
| 5153187600 | SABIK 210 E | 230V 50/60Hz | 225 | 36,5 (140 m³/h a 100 Pa) | 87 | 80 | E93 | 3.673,38 |
| 5153187700 | SABIK 350 E | 230V 50/60Hz | 375 | 37,7 (250 m³/h a 135 Pa) | 145 | 78 | E93 | 3.920,52 |
| 5153187800 | SABIK 500 E | 230V 50/60Hz | 550 | 43,1 (400 m³/h a 150 Pa) | 265 | 78 | E93 | 4.600,59 |

NOVEDAD

ACCESORIOS SABIK

| Código | Modelo | Grupo producto | Precio €/u. |
|--|----------------------------------|----------------|--------------|
| Kits filtros | | | |
| 5800046700 | SABIK210-F-G4G4 | E99 | 44,77 |
| 5800046900 | SABIK350-F-G4G4 | E99 | 59,11 |
| 5800047100 | SABIK500-F-G4G4 | E99 | 64,90 |
| 5800046800 | SABIK210-F-G4F7 | E99 | 57,11 |
| 5800047000 | SABIK350-F-G4F7 | E99 | 65,48 |
| 5800047200 | SABIK500-F-G4F7 | E99 | 73,32 |
| Kits para modificar el diámetro de las toberas | | | |
| 5800060700 | KIT TOBERAS D150/160 (SABIK 350) | E99 | 23,78 |
| 5800060800 | KIT TOBERAS D180/200 (SABIK 500) | E99 | 25,24 |

NOVEDAD

| Código | Modelo | Grupo producto | Precio €/u. |
|----------------------------|-----------------|----------------|---------------|
| Baterías de precalfacción | | | |
| 5800023300 | SABIK210-PH | E99 | 572,05 |
| 5800018300 | SABIK350-PH | E99 | 595,45 |
| 5800018400 | SABIK500-PH | E99 | 732,50 |
| Soporte pared | | | |
| 5800025400 | SABIK-WMC | E99 | 113,87 |
| Módulo de caudal constante | | | |
| 5800017800 | SABIK-NEMBUS-SF | E99 | 455,62 |
| Sonda VOC | | | |
| 5800018900 | SABIK-VOC | E99 | 230,37 |
| Módulo de comunicación | | | |
| 5800016200 | SPCM | E99 | 473,29 |

Serie DOME0 210



VMC de doble flujo para viviendas, con intercambiador de calor de tipo contraflujo de alto rendimiento (hasta el 92%) y motor EC de corriente continua, de muy bajo consumo.

Asegura la renovación permanente de aire de las viviendas y garantiza los requisitos requeridos en el Código Técnico de Edificación.

Incorpora by-pass 100% automático o manual, y filtros de impulsión y extracción. Incluye control remoto por cable que permite ajustar las velocidades, el by-pass y el reset de filtros sucios.

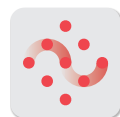
Para optimizar el consumo de energía y la calidad de aire, se puede conectar a un sensor de CO₂, humedad u otros, tanto 0-10V como función relé.

La unidad DOME0 se puede comunicar con el sistema doméstico por Modbus (incorporado) u otros protocolos por pasarela (no incluida).

Mediante la placa de comunicaciones SPCM-WB la unidad DOME0 210 FL 3V EU se comunica con la plataforma CONNECTAIR que permite su control a distancia.

Características

- Intercambiador a contraflujo con rendimiento hasta 92%.
- Motor EC de bajo consumo.
- Ventiladores centrífugos con rodete de álabes hacia atrás.
- Conexión MODBUS.
- Cuerpo de EPP.
- 4 embocaduras Ø 125 mm.
- By-pass 100% automático o manual.
- Filtro de impulsión: F7 (ISO ePM1 65%, a 210 m³/h). En opción, M5 (ISO ePM10 50%, a 210 m³/h).
- Filtro de extracción G4 (ISO coarse 65%, a 210 m³/h).
- Comunicación Modbus RTU.



Connectair

Mediante el módulo SPCM-WB, la unidad puede acceder a Connectair, la IoT de S&P que permite el control del equipo desde cualquier dispositivo conectado a internet.



DOME0 210 FL 3V

Aplicaciones específicas



VMC viviendas unifamiliares



VMC viviendas colectivas



Recuperación de calor

Es imprescindible comprobar que las características eléctricas (voltaje, intensidad, frecuencia, etc) del motor que aparecen en la placa del mismo son compatibles con las de la instalación.

| Código | Modelo | Eficiencia (%) | Tensión (V) | Caudal máximo a 100 Pa (m ³ /h) | Nivel de presión sonora a 1,5 m (120 m ³ /h - 70 Pa) (dB(A)) | Potencia absorbida máxima (W) | Grupo producto | Precio €/u. |
|------------|--------------------|----------------|-------------|--|---|-------------------------------|----------------|-----------------|
| 5153812700 | DOME0 210 FL 3V EU | 92 | 230 | 210 | 38,8 | 100 | E93 | 1.836,51 |
| 5153717400 | DOME0 210 RD | 92 | 230 | 210 | 38,8 | 100 | E93 | 2.195,03 |

ACCESORIOS SERIE DOME0 210

| Código | Modelo | Grupo producto | Precio €/u. |
|--------------------------|--------------------------------|----------------|---------------|
| Kits filtros | | | |
| 5416804000 | KIT M5/G4 DOME0 | E99 | 58,75 |
| 5416826900 | KIT F7/G4 DOME0 | E99 | 65,78 |
| Embellecedores | | | |
| 5416831800 | KIT EMBELLECEDOR LATERAL DF210 | E99 | 110,41 |
| Pantalla táctil | | | |
| 5401641700 | TSP-B | E99 | 826,75 |
| Módulo de comunicaciones | | | |
| 5800016300 | SPCM-WB | E99 | 451,77 |

ACCESORIOS SERIE IDEO

| Código | Modelo | Grupo producto | Precio €/u. |
|--------------|----------------|----------------|--------------|
| Kits filtros | | | |
| 5416762100 | KIT M5/G4 IDEO | E99 | 65,84 |
| 5416762300 | KIT G4 IDEO | E99 | 21,10 |

Serie BR DH



VMC de doble flujo para viviendas, con intercambiador de calor entálpico, de tipo contraflujo, con un rendimiento hasta el 83%.

Dispone de función deshumidificación mediante bomba de calor y batería de agua incorporadas. Se integra en el sistema de climatización de la vivienda, por lo que es imprescindible conectarse al circuito de agua del suelo refrescante.

Asegura la renovación permanente de aire de las viviendas y garantiza los requisitos requeridos en el Código Técnico de Edificación.

Equipado con 2 ventiladores centrífugos para impulsión y extracción, cada uno con motor 230V-50Hz de conmutación electrónica, Clase B, concebido para funcionamiento continuo y caja de bornes para conectar el cable de alimentación. Equipo diseñado para ser gobernado por el control de la instalación del suelo refrescante. En caso contrario, puede trabajar con los controles HC CTR o HC CTR PLUS.

Características

- Equipo multiposición que permite ser instalado en suelo y en falso techo.
- Función deshumidificación e integración en el sistema de climatización.
- Intercambiador de calor entálpico.
- Filtro G4 (ISO coarse 65%, a 120 m³/h) en extracción e impulsión F7 (ISO ePM1 50%, a 120 m³/h) opcional en impulsión.
- Bypass automático y manual.
- Alarma de cambio de filtros.
- Modelos PLUS, con función de control climático.



BAJO PERFIL



BOMBA CALOR

Aplicaciones específicas



VMC viviendas unifamiliares



VMC viviendas colectivas



Recuperación de calor

Es imprescindible comprobar que las características eléctricas (voltaje, intensidad, frecuencia, etc) del motor que aparecen en la placa del mismo son compatibles con las de la instalación.

| Código | Modelo | Eficiencia* a caudal máximo nominal (%) | | | | Tensión (V) | Caudal máximo aire exterior (m ³ /h) | Caudal máximo aire recirculación (m ³ /h) | Capacidad de condensación nominal (l/24h) | Potencia de refrigeración total (kW) | Nivel de presión sonora a 1 m (50 Pa) (dB(A)) | Potencia absorbida máxima (W) | Grupo producto | Precio €/u. |
|------------|----------------|---|----|----------|----|-------------|---|--|---|--------------------------------------|---|-------------------------------|----------------|------------------|
| | | Verano | | Invierno | | | | | | | | | | |
| | | T | H | T | H | | | | | | | | | |
| 5153135900 | BR DH 150 | 71 | 60 | 77 | 54 | 230 | 150 | 300 | 31,44 | 1,36 | 43 (105 m ³ /h) | 750 | E93 | 8.841,08 |
| 5153139100 | BR DH 150 PLUS | 71 | 60 | 77 | 54 | 230 | 150 | 300 | 36,06 | 2,45 | 43 (105 m ³ /h) | 750 | E93 | 10.337,60 |
| 5153136000 | BR DH 250 PLUS | 72 | 58 | 74 | 53 | 230 | 250 | 500 | 66,90 | 4,46 | 46 (175 m ³ /h) | 1260 | E93 | 12.161,87 |

* Según EN 13141:7 2011.

ACCESORIOS SERIE BR DH

| Código | Modelo | Grupo producto | Precio €/u. |
|---|---------------------|----------------|---------------|
| Kits filtros | | | |
| 5416029400 | KIT G4/G4/G4 BR 150 | E99 | 68,88 |
| 5416029500 | KIT G4/G4/G4 BR 250 | E99 | 58,01 |
| Control deshumidificador | | | |
| 5401220400 | HC CTR | E99 | 433,13 |
| Control deshumidificador con sonda de humedad | | | |
| 5401220500 | HC CTR PLUS | E99 | 795,64 |
| Rejillas de retorno | | | |
| 5800026400 | GRA-SMF 500x200 | E99 | 103,11 |
| 5800026500 | GRA-SMF 600x300 | E99 | 131,61 |

Serie PULSE



Aplicaciones específicas



VMC
viviendas
unifamiliares



VMC
viviendas
colectivas



Recuperación
de calor

Unidad de ventilación descentralizada con recuperación de calor para estancias individuales, para aplicaciones domésticas o comerciales. Su diseño le permite adaptarse a cualquier ambiente. Rendimiento hasta 93%.

Motor brushless con control electrónico, de muy bajo consumo.

Sistema de ventilación mediante motor alternativo y recuperador de calor cerámico.

Concebido para funcionamiento continuo, ajusta el caudal proporcionalmente según el grado de humedad, asegurando así la calidad del aire interior.

Características

- Se recomienda utilizar los PULSE 160 en pares de equipos: con uno impulsando aire fresco a la vez que el otro extrae el aire viciado.
- Ventilador silencioso.
- Intercambiador cerámico de alta eficiencia.
- Sistema de ventilación alternativo. Ciclos de impulsión y extracción entre 50 y 70 segundos.
- Filtros ISO Coarse 60% a ambos extremos del intercambiador.
- No necesita control antiescarcha.
- Caudal hasta 43 m³/h.
- Tensión de alimentación: 220-240V, mediante el accesorio PULSE CONTROL PRO.
- El control PULSE CONTROL PRO, con un consumo de 2,9W, puede comandar hasta 6 unidades.
- 4 velocidades por control manual.
- Control remoto, que permite la sincronización de hasta 6 equipos.
- Caudal proporcional según higróstato.

Es imprescindible comprobar que las características eléctricas (voltaje, intensidad, frecuencia, etc) del motor que aparecen en la placa del mismo son compatibles con las de la instalación.

| Código | Modelo | Velocidad | Potencia absorbida (sin control) (W) | Caudal (m ³ /h) | Nivel de presión sonora (dB(A)) a 2 m | Eficiencia térmica según EN13141-8 | Grupo producto | Precio €/u. |
|------------|-----------|-----------|--------------------------------------|----------------------------|---------------------------------------|------------------------------------|----------------|-------------|
| 5144308400 | PULSE 160 | 1 | 0,9 | 16 | 14 | 81,6 | E93 | 846,82 |
| | | 2 | 1,1 | 22 | 20 | | | |
| | | 3 | 1,6 | 30 | 32 | | | |
| | | 4 | 2,8 | 43 | 35 | | | |

ACCESORIOS SERIE PULSE **NOVEDAD**

| Código | Modelo | Grupo producto | Precio €/u. |
|------------|----------------------------------|----------------|-------------|
| | Unidad de control | | |
| 5144308500 | PULSE CONTROL PRO | E99 | 442,59 |
| | Kit 4 unidades filtros recambio | | |
| 5144308300 | PULSE FILTER SET G3 (4 unidades) | E99 | 44,82 |
| | Tubo de montaje 500 mm | | |
| 5144003100 | PULSE 160 MT500 | E99 | 26,05 |
| | Tubo de montaje 700 mm | | |
| 5144002400 | PULSE 160 MT700 | E99 | 67,30 |

| Código | Modelo | Grupo producto | Precio €/u. |
|------------|--|----------------|-------------|
| | Set de instalación (incluye ventilador, intercambiador, filtros y cubierta interior) | | |
| 5144002900 | PULSE 160 FINAL INSTALLATION SET | E99 | 598,71 |
| | Cubierta exterior | | |
| 5144003200 | PULSE 160 OC | E99 | 156,10 |
| | Relieve en ventana color blanco | | |
| 5144003300 | PULSE 160 REVEAL - WHITE | E99 | 423,95 |
| | Relieve en ventana color antracita | | |
| 5144002800 | PULSE 160 REVEAL - ANTHRACITE | E99 | 423,95 |

Serie RESPIRO



Unidad de ventilación descentralizada con recuperación de calor para estancias individuales, para aplicaciones domésticas o comerciales. Elegante diseño que permite su adaptación a cualquier ambiente.

Rendimiento hasta 93%.

Motor brushless con control electrónico de bajo consumo.

Sistema de ventilación mediante motor alternativo y recuperador de calor cerámico.

Concebido para funcionamiento continuo, ajusta el caudal proporcionalmente según el grado de humedad (modelo RD), asegurando así la calidad del aire interior.

Características

- Intercambiador cerámico.
- Sistema de ventilación alternativo. Ciclos de 70 segundos en impulsión y extracción.
- Filtros (ISO coarse 45%) en ambos extremos del intercambiador.
- No necesita control antiescarcha.
- Caudal hasta 30 m³/h modelo 100.
Caudal hasta 60 m³/h modelo 150.
- Tensión de alimentación: 220-240V.
MODELO 150/100
- 2 velocidades por control manual.
MODELO 150 RD /100 RD
- 3 velocidades.
- Control remoto.
- Posibilidad de sincronización de diferentes equipos (hasta 16).
- Caudal proporcional según higrostató.



Aplicaciones específicas



VMC viviendas unifamiliares



VMC viviendas colectivas



Recuperación de calor

Es imprescindible comprobar que las características eléctricas (voltaje, intensidad, frecuencia, etc) del motor que aparecen en la placa del mismo son compatibles con las de la instalación.

| Código | Modelo | Velocidad | Potencia absorbida (W) | Caudal máximo (m ³ /h) | Nivel de presión sonora (dB(A)) a 3 m | Rendimiento máximo | Rendimiento medio | Grupo producto | Precio €/u. |
|------------|----------------|-----------|------------------------|-----------------------------------|---------------------------------------|--------------------|-------------------|----------------|-------------|
| 5144308100 | RESPIRO 100 | 1 | 3,9 | 15 | 19 | 93% | 70% | E93 | 544,37 |
| | | 2 | 7,9 | 30 | 29 | 93% | 78% | | |
| 5144308200 | RESPIRO 100 RD | 1 | 3,9 | 15 | 19 | 93% | 70% | E93 | 742,33 |
| | | 2 | 5,9 | 22,5 | 24 | 93% | 74% | | |
| | | 3 | 7,9 | 30 | 29 | 93% | 78% | | |
| 5144307700 | RESPIRO 150 | 1 | 4,9 | 30 | 13 | 93% | 70% | E93 | 571,58 |
| | | 2 | 8,9 | 60 | 23 | 93% | 78% | | |
| 5144307800 | RESPIRO 150 RD | 1 | 4,9 | 30 | 13 | 93% | 70% | E93 | 808,30 |
| | | 2 | 6,9 | 45 | 20 | 93% | 74% | | |
| | | 3 | 8,9 | 60 | 23 | 93% | 78% | | |



366 Entradas de aire (aireadores) autorregulables



367 Entradas de aire (aireadores) higrorregulables



369 Bocas de extracción autorregulables



371 Bocas de extracción higrorregulables



372 Bocas de extracción y/o impulsión



374 Reguladores de caudal



375 Plenums



376 Conductos flexibles



378 Conductos rígidos



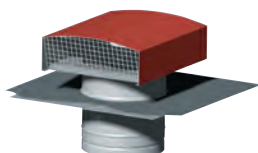
379 Conductos plásticos, rectangulares y circulares



381 Conductos semiflexibles, oblongos y circulares



383 Conexiones, Reducciones, Derivaciones



387 Sombreros de tejado

Entradas de aire (aireadores) autorregulables



EC-N

Aireadores autorregulables. Fabricados en poliestireno. Permiten la renovación del aire en una vivienda a través de las estancias principales (cuarto de estar, salón, dormitorios). Caudales de 22, 30 y 45 m³/h. Se instalan sobre elementos de carpintería o unidos a un manguito pasamuros. Incorporan una tapa con rejilla antiinsectos.



ECA

Aireadores autorregulables acústicos. Fabricados en poliestireno de alto impacto. Permiten la renovación del aire en una vivienda a través de las estancias principales (cuarto de estar, salón, dormitorios). Caudales de 22, 30, 36 y 45 m³/h. Se instalan sobre elementos de carpintería o unidos a un manguito pasamuros.



ECA-RA

Aireadores autorregulables con bastidor acústico de gran atenuación. Fabricados en poliestireno de alto impacto. Permiten la renovación del aire en una vivienda a través de las estancias principales (cuarto de estar, salón, dormitorios). Caudales de 22, 30, 36 y 45 m³/h. Se instalan sobre elementos de carpintería o unidos a un manguito pasamuros.



SILEM KIT

Aireadores autorregulables con silenciador. Permiten la renovación del aire en una vivienda a través de las estancias principales (cuarto de estar, salón, dormitorios). Caudales de 22 y 30 m³/h. Se instalan en la pared. Para ello incluyen un manguito de chapa (Ø 125 mm y 300 mm de longitud) y reja exterior de fachada.

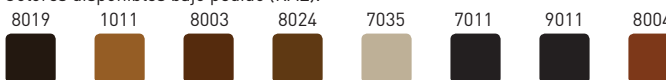


EC 30 FI

Aireadores equipados con filtros de partículas ePM1= 55%. Fabricados en poliestireno de alto impacto. Permiten la renovación del aire en una vivienda a través de las estancias principales (cuarto de estar, salón, dormitorios). Caudal de 30 m³/h. Recambio de filtro de partículas FILTRO EC 30 FI.

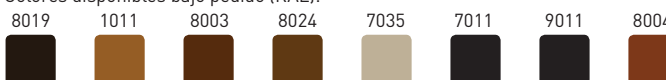
| Código | Modelo | Grupo producto | Precio €/u. |
|---------------------------------|----------------|----------------|-------------|
| Aireadores autorregulables EC N | | | |
| 5209161900 | EC 22 N BLANCO | E94 | 9,57 |
| 5209162000 | EC 30 N BLANCO | E94 | 9,57 |
| 5209162100 | EC 45 N BLANCO | E94 | 10,05 |

Colores disponibles bajo pedido (RAL):



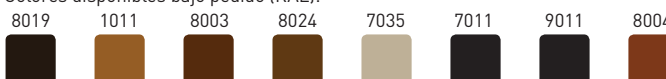
| Código | Modelo | Grupo producto | Precio €/u. |
|--|------------------------|----------------|-------------|
| Aireadores autorregulables acústicos ECA | | | |
| 5209163400 | ECA 22 BLANCO ACUSTICA | E94 | 22,50 |
| 5209163700 | ECA 30 BLANCO ACUSTICA | E94 | 22,50 |
| 5209172100 | ECA 36 BLANCO ACUSTICA | E94 | 26,56 |
| 5209164000 | ECA 45 BLANCO ACUSTICA | E94 | 26,56 |

Colores disponibles bajo pedido (RAL):



| Código | Modelo | Grupo producto | Precio €/u. |
|---|------------------|----------------|-------------|
| Aireadores autorregulables acústicos ECA-RA | | | |
| 5209162500 | ECA 22 RA BLANCO | E94 | 32,49 |
| 5209162600 | ECA 30 RA BLANCO | E94 | 32,49 |
| 5209172200 | ECA 36 RA BLANCO | E94 | 36,24 |
| 5209162700 | ECA 45 RA BLANCO | E94 | 36,24 |

Colores disponibles bajo pedido (RAL):



| Código | Modelo | Grupo producto | Precio €/u. |
|--|--------------|----------------|-------------|
| Aireadores autorregulables con silenciador SILEM KIT | | | |
| 5209195800 | SILEM KIT 22 | E94 | 109,70 |
| 5209195900 | SILEM KIT 30 | E94 | 109,70 |

| Código | Modelo | Grupo producto | Precio €/u. |
|----------------------------------|-----------------|----------------|-------------|
| Aireadores con filtro EC 30 FI | | | |
| 5130067300 | EC 30 FI BLANCA | E94 | 66,33 |
| Recambio de filtro de partículas | | | |
| 5130067800 | FILTRO EC 30 FI | E94 | 34,83 |

Entradas de aire (aireadores) higrorregulables

**EC-HY**

Aireadores higrorregulables. Fabricados en poliestireno. Permiten la renovación del aire en una vivienda a través de las estancias principales (cuarto de estar, salón, dormitorios). Caudal variable entre 6 y 45 m³/h en función del grado de humedad de la estancia, para una diferencia de presión de 20 Pa. Se instalan sobre elementos de carpintería o unidos a un manguito pasamuros.

| Código | Modelo | Grupo producto | Precio €/u. |
|-----------------------------------|-------------------|----------------|-------------|
| Aireadores higrorregulables EC-HY | | | |
| 5209172300 | EC HY 6/45 BLANCO | E94 | 51,89 |

Colores disponibles bajo pedido (RAL):

| | | | | | | | |
|------|------|------|------|------|------|------|------|
| 8019 | 1011 | 8003 | 8024 | 7035 | 7011 | 9011 | 8004 |
| | | | | | | | |

**ECA-HY**

Aireadores higrorregulables acústicos. Fabricados en poliestireno de alto impacto. Permiten la renovación del aire en una vivienda a través de las estancias principales (cuarto de estar, salón, dormitorios). Caudal variable entre 6 y 45 m³/h en función del grado de humedad de la estancia, para una diferencia de presión de 20 Pa. Se instalan sobre elementos de carpintería o unidos a un manguito pasamuros.

| Código | Modelo | Grupo producto | Precio €/u. |
|------------------------------------|--------------------|----------------|-------------|
| Aireadores higrorregulables ECA-HY | | | |
| 5209172400 | ECA HY 6/45 BLANCO | E94 | 60,94 |

Colores disponibles bajo pedido (RAL):

| | | | | | | | |
|------|------|------|------|------|------|------|------|
| 8019 | 1011 | 8003 | 8024 | 7035 | 7011 | 9011 | 8004 |
| | | | | | | | |

**ECA-HY RA**

Aireadores higrorregulables con bastidor acústico de gran atenuación. Fabricados en poliestireno de alto impacto. Permiten la renovación del aire en una vivienda a través de las estancias principales (cuarto de estar, salón, dormitorios). Caudal variable entre 6 y 45 m³/h en función del grado de humedad de la estancia, para una diferencia de presión de 20 Pa. Se instalan sobre elementos de carpintería o unidos a un manguito pasamuros.

| Código | Modelo | Grupo producto | Precio €/u. |
|---------------------------------------|-----------------------|----------------|-------------|
| Aireadores higrorregulables ECA-HY RA | | | |
| 5209172500 | ECA HY 6/45 RA BLANCO | E94 | 70,95 |

Colores disponibles bajo pedido (RAL):

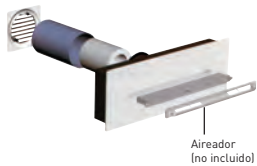
| | | | | | | | |
|------|------|------|------|------|------|------|------|
| 8019 | 1011 | 8003 | 8024 | 7035 | 7011 | 9011 | 8004 |
| | | | | | | | |

**SILEM KIT HY**

Aireadores higrorregulables con silenciador. Permiten la renovación del aire en una vivienda a través de las estancias principales (cuarto de estar, salón, dormitorios). Permiten un caudal variable de entre 6 y 45 m³/h en función del grado de humedad de la estancia, para una diferencia de presión de 20 Pa. Se instalan en la pared. Para ello incluyen un manguito de chapa (Ø 125 mm y 300 mm de longitud) y reja exterior de fachada.

| Código | Modelo | Grupo producto | Precio €/u. |
|---|------------------|----------------|-------------|
| Aireadores higrorregulables con silenciador SILEM KIT HY | | | |
| 5209196100 | SILEM KIT HY 125 | E94 | 155,65 |

Entradas de aire. Accesorios



SILEC KIT

Silenciadores pasamuros para aireadores EC-N y ECA-HY 6/45.
Fabricados íntegramente en poliestireno.
Se colocan en el revestimiento tras haber perforado el muro y empotrado un manguito de PVC de Ø 125 mm.

| Código | Modelo | Grupo producto | Precio €/u. |
|--|-----------|----------------|-------------|
| Silenciador pasamuros SILEC KIT para aireadores EC-N y ECA-HY 6/45 | | | |
| 5209195700 | SILEC KIT | E94 | 117,00 |

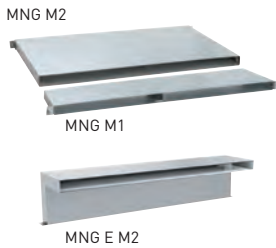
El SILEC KIT no incluye el aireador.



CFA-B

Rejilla exterior acústica para modelos ECA y ECA-HY.
Atenuación acústica $D_{n,e,w}$ (Ctr) de la rejilla CFA-B + la entrada de aire:
ECA 22-30: 42 dB(A)
ECA 45 y ECA HY: 41 dB(A)

| Código | Modelo | Grupo producto | Precio €/u. |
|---------------------------|--------|----------------|-------------|
| Rejilla exterior acústica | | | |
| 5130067900 | CFA-B | E94 | 27,38 |



MNG

Manguitos de chapa de acero galvanizado de 0,75 mm de espesor. Se utilizan para montar las entradas de aire en paredes. Adaptados a los aireadores de 354 x 12 mm.

| Código | Modelo | Dimensiones (LxAxH) | Grupo producto | Precio €/u. |
|-------------------------|---------------|---------------------|----------------|-------------|
| Manguitos pasamuros MNG | | | | |
| 5416732700 | MNG M1 L70 | 360x70x15 | E94 | 14,20 |
| 5416732800 | MNG M1 L100 | 360x100x15 | E94 | 15,82 |
| 5209072100 | MNG E M2 L100 | 365x100x100 | E94 | 24,42 |
| 5209071500 | MNG M1 L140 | 360x140x15 | E94 | 18,30 |
| 5209071400 | MNG M2 L160 | 365x160x18 | E94 | 19,30 |
| 5416732900 | MNG M1 L200 | 360x200x15 | E94 | 20,94 |
| 5416733000 | MNG M2 L250 | 365x250x18 | E94 | 24,94 |

MNG M1: Manguito ajustable (macho).

MNG M2: Manguito fijo (hembra).

MNG E M2: Manguito fijo en escuadra (hembra).

Bocas de extracción autorregulables



BAR ALIZE

Bocas de extracción autorregulables de poliestireno blanco, para instalar en cocinas, baños, o otras estancias que necesiten regulación del caudal.

Versiones:

- BARJ: con manguito de juntas, para montaje directo en conducto rígido.
- BARP: con manguito con soportes de anclaje pladur, para montaje en placas de pladur y con conducto flexible.
- BAR: sin manguito.

| Código | Modelo | Grupo producto | Precio €/u. |
|--|----------|----------------|-------------|
| Bocas de extracción autorregulables BARJ | | | |
| 5209158200 | BARJ 15 | E95 | 24,68 |
| 5209158300 | BARJ 30 | E95 | 24,68 |
| 5209158400 | BARJ 45 | E95 | 24,68 |
| 5209189800 | BARJ 54 | E95 | 24,68 |
| 5209158500 | BARJ 60 | E95 | 24,68 |
| 5209189900 | BARJ 72 | E95 | 24,68 |
| 5209158600 | BARJ 75 | E95 | 24,68 |
| 5209190000 | BARJ 87 | E95 | 24,68 |
| 5209158700 | BARJ 90 | E95 | 24,68 |
| 5209190100 | BARJ 100 | E95 | 36,74 |
| 5209190200 | BARJ 115 | E95 | 36,74 |
| 5209158800 | BARJ 120 | E95 | 36,74 |
| 5209190300 | BARJ 122 | E95 | 36,74 |
| 5209190400 | BARJ 144 | E95 | 36,74 |
| 5209158900 | BARJ 150 | E95 | 36,74 |
| Bocas de extracción autorregulables BARP | | | |
| 5209157800 | BARP 15 | E95 | 27,80 |
| 5209157900 | BARP 30 | E95 | 27,80 |
| 5209158000 | BARP 45 | E95 | 27,80 |
| 5209190500 | BARP 54 | E95 | 27,80 |
| 5209152700 | BARP 60 | E95 | 27,80 |
| 5209190600 | BARP 72 | E95 | 27,80 |
| 5209152800 | BARP 75 | E95 | 27,80 |
| 5209190700 | BARP 87 | E95 | 27,80 |
| 5209152900 | BARP 90 | E95 | 27,80 |
| 5209190800 | BARP 100 | E95 | 40,63 |
| 5209190900 | BARP 115 | E95 | 40,63 |
| 5209153400 | BARP 120 | E95 | 40,63 |
| 5209191000 | BARP 122 | E95 | 40,63 |
| 5209191100 | BARP 144 | E95 | 40,63 |
| 5209153500 | BARP 150 | E95 | 40,63 |
| Bocas de extracción autorregulables BAR | | | |
| 5209156400 | BAR 15 | E95 | 19,26 |
| 5209156500 | BAR 30 | E95 | 19,26 |
| 5209156600 | BAR 45 | E95 | 19,26 |
| 5209191200 | BAR 54 | E95 | 19,26 |
| 5209156700 | BAR 60 | E95 | 19,26 |
| 5209191300 | BAR 72 | E95 | 19,26 |
| 5209156800 | BAR 75 | E95 | 19,26 |
| 5209191400 | BAR 87 | E95 | 19,26 |
| 5209156900 | BAR 90 | E95 | 19,26 |
| 5209191500 | BAR 100 | E95 | 30,64 |
| 5209191600 | BAR 115 | E95 | 30,64 |
| 5209157000 | BAR 120 | E95 | 30,64 |
| 5209191700 | BAR 122 | E95 | 30,64 |
| 5209191800 | BAR 144 | E95 | 30,64 |
| 5209157100 | BAR 150 | E95 | 30,64 |



BAR ALIZE Modelos bicaudal

Bocas de extracción autorregulables, bicaudal.

El caudal de extracción máximo se obtiene accionando el cordón existente.

Versiones:

- BARJ: con manguito de juntas, para montaje directo en conducto rígido.
- BARP: con manguito con soportes de anclaje pladur, para montaje en placas de pladur y con conducto flexible.
- BAR: sin manguito.

| Código | Modelo | Grupo producto | Precio €/u. |
|--------|--------|----------------|-------------|
|--------|--------|----------------|-------------|

Bocas de extracción autorregulables bicaudal BARJ

| | | | |
|------------|-------------|-----|-------|
| 5209159000 | BARJ 15/30 | E95 | 42,20 |
| 5209159100 | BARJ 20/75 | E95 | 49,96 |
| 5209159200 | BARJ 30/90 | E95 | 43,45 |
| 5209159300 | BARJ 45/105 | E95 | 43,45 |
| 5209159400 | BARJ 45/120 | E95 | 43,45 |
| 5209159500 | BARJ 45/135 | E95 | 43,45 |

Bocas de extracción autorregulables bicaudal BARP

| | | | |
|------------|-------------|-----|-------|
| 5209158100 | BARP 15/30 | E95 | 43,45 |
| 5209153600 | BARP 20/75 | E95 | 43,45 |
| 5209153000 | BARP 30/90 | E95 | 43,45 |
| 5209153100 | BARP 45/105 | E95 | 43,45 |
| 5209153200 | BARP 45/120 | E95 | 43,45 |
| 5209153300 | BARP 45/135 | E95 | 43,45 |

Bocas de extracción autorregulables bicaudal BAR

| | | | |
|------------|------------|-----|-------|
| 5209157200 | BAR 15/30 | E95 | 38,11 |
| 5209157300 | BAR 20/75 | E95 | 38,11 |
| 5209157400 | BAR 30/90 | E95 | 38,11 |
| 5209157500 | BAR 45/105 | E95 | 38,11 |
| 5209157600 | BAR 45/120 | E95 | 38,11 |
| 5209157700 | BAR 45/135 | E95 | 38,11 |



MNGJ

Manguitos para bocas BAR.

MIA

Módulo de aislamiento acústico. (Válido hasta el modelo 60)

| Código | Modelo | Grupo producto | Precio €/u. |
|--------|--------|----------------|-------------|
|--------|--------|----------------|-------------|

Accesorios para bocas BAR

| | | | |
|------------|----------|-----|-------|
| 5209159600 | MNGJ 99 | E95 | 4,75 |
| 5209071600 | MNGJ 120 | E95 | 4,75 |
| 5209159800 | MNGJ 125 | E95 | 4,75 |
| 5209160000 | MNGP 80 | E95 | 8,74 |
| 5209172700 | MNGP 100 | E95 | 8,74 |
| 5209160100 | MNGP 125 | E95 | 8,74 |
| 5209160200 | MIA | E95 | 11,87 |



PR

Placas para rehabilitación. Se colocan una vez finalizados los trabajos de pintura en huecos rectangulares.

| Código | Modelo | Grupo producto | Precio €/u. |
|--------|--------|----------------|-------------|
|--------|--------|----------------|-------------|

Placas rehabilitación PR

| | | | |
|------------|---------------|-----|-------|
| 5209160800 | PRC.E 177X278 | E95 | 23,20 |
|------------|---------------|-----|-------|



BM2D

Bocas de extracción bicaudal (mínimo-máximo) de accionamiento eléctrico.

Posible accionamiento mediante detector de presencia o contacto externo.

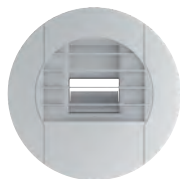
Se utilizan en sistemas de ventilación multizona tipo mínimo-máximo.

| Código | Modelo | Grupo producto | Precio €/u. |
|--------|--------|----------------|-------------|
|--------|--------|----------------|-------------|

Bocas de extracción bicaudal BM2D

| | | | |
|------------|------------------|-----|--------|
| 5416408300 | BM2D 7,5/25 D125 | E95 | 118,76 |
| 5416408400 | BM2D 7,5/50 D125 | E95 | 118,76 |
| 5416408500 | BM2D 7,5/75 D125 | E95 | 118,76 |
| 5416408600 | BM2D 10/100 D125 | E95 | 118,76 |

Bocas de extracción higrorregulables



ALIZE BEH

Bocas de extracción higrorregulables de poliestireno blanco, para modular los caudales de extracción en función de la humedad en el interior de viviendas unifamiliares, colectivas o edificios comerciales.

Las bocas BEH están recogidas en el DIT 623R para sistemas higrorregulables Soler y Palau. Los modelos DP permiten, además de modular el caudal en función de la humedad, activar el caudal punta cuando se activa el sensor de presencia, mejorando el confort del usuario.

Las bocas BEH P incorporan manguito para pladur Ø 100.



Modelos DP

| Código | Modelo | HIGRO | Detector de presencia (pila) | Q Min HIGRO | Q Max HIGRO | Q Adicional | Ø Conexión | Grupo producto | Precio €/u. |
|--|-----------------------|-------|------------------------------|-------------|-------------|-------------|------------|----------------|---------------|
| Bocas de extracción higrorregulables Ø 125 | | | | | | | | | |
| 5209344700 | BEH 5/25-125 | • | | 5 | 25 | | 125 | E95 | 88,19 |
| 5209344500 | BEH 5/45-125 | • | | 5 | 45 | | 125 | E95 | 88,19 |
| 5209344600 | BEH 15/25-125 | • | | 15 | 25 | | 125 | E95 | 88,19 |
| 5209344400 | BEH 15/75-125 | • | | 15 | 75 | | 125 | E95 | 118,86 |
| 5209345000 | BEH-DP 5/25/25-125 | • | • | 5 | 25 | 25 | 125 | E95 | 162,63 |
| 5209344800 | BEH-DP 5/45/45-125 | • | • | 5 | 45 | 45 | 125 | E95 | 162,63 |
| 5209344900 | BEH-DP 15/25/25-125 | • | • | 15 | 25 | 25 | 125 | E95 | 162,63 |
| Bocas de extracción higrorregulables Ø 100 | | | | | | | | | |
| 5209068400 | BEH 5/25-100 P | • | | 5 | 25 | | 100 | E95 | 99,17 |
| 5209068100 | BEH 5/45-100 P | • | | 5 | 45 | | 100 | E95 | 99,17 |
| 5209068300 | BEH 15/25-100 P | • | | 15 | 25 | | 100 | E95 | 99,17 |
| 5209068200 | BEH 15/75-100 P | • | | 15 | 75 | | 100 | E95 | 129,83 |
| 5209068600 | BEH-DP 5/25/25-100 P | • | • | 5 | 25 | 25 | 100 | E95 | 169,63 |
| 5209068700 | BEH-DP 5/45/45-100 P | • | • | 5 | 45 | 45 | 100 | E95 | 169,63 |
| 5209068800 | BEH-DP 15/25/25-100 P | • | • | 15 | 25 | 25 | 100 | E95 | 169,63 |



MNGPH 80

MNGPH

Manguitos para pladur



MNGPH 125

| Código | Modelo | Grupo producto | Precio €/u. |
|-----------------------------|-----------|----------------|--------------|
| Manguitos para pladur MNGPH | | | |
| 5209173300 | MNGPH 80 | E95 | 8,74 |
| 5209171900 | MNGPH 125 | E95 | 10,97 |

Bocas de extracción auto e higrorregulables. Accesorios



AAC

AAC

Atenuador acústico. Manguito de plástico con junta y espuma basotect únicamente para bocas de Ø 125.



ÁNGULO ALIZE

ÁNGULO ALIZE

Desvío de ángulo para aberturas con cordel que se instalan en el techo. Permite guiar el cordel a lo largo de la pared.

| Código | Modelo | Grupo producto | Precio €/u. |
|---|--------------|----------------|--------------|
| Accesorios para bocas de extracción autorregulables e higrorregulables. | | | |
| 5209196200 | AAC | E95 | 11,87 |
| 5209202400 | ÁNGULO ALIZE | E95 | 2,94 |

Bocas de extracción y/o impulsión

**BDOP-BDO**

Bocas de plástico, de color blanco. Se utilizan en extracción o en impulsión en instalaciones de simple flujo, doble flujo o aire acondicionado. En impulsión se puede ajustar la dirección y el alcance del flujo de aire.
Modelos BDOP: disponen de manguito de conexión con anclajes para montaje sobre pladur.
Modelos BDO: disponen de cuello con junta.

| Código | Modelo | Grupo producto | Precio €/u. |
|---|----------|----------------|-------------|
| Bocas de extracción e impulsión, de plástico, ajustables BDOP-BDO | | | |
| 5209185400 | BDOP 80 | E95 | 21,41 |
| 5209225800 | BDOP 100 | E95 | 31,43 |
| 5209185500 | BDOP 125 | E95 | 31,43 |
| 5209220500 | BDOP 160 | E95 | 34,16 |
| 5209220600 | BDOP 200 | E95 | 37,17 |
| | | | |
| 5209076900 | BDO 80 | E95 | 17,29 |
| 5209225900 | BDO 100 | E95 | 25,33 |
| 5209070300 | BDO 125 | E95 | 25,33 |
| 5209210000 | BDO 160 | E95 | 26,27 |
| 5209210100 | BDO 200 | E95 | 27,48 |

**BOREA**

Bocas fabricada en plástico (PS), de color blanco. Se utilizan en extracción o en impulsión en instalaciones de simple flujo, doble flujo o aire acondicionado.
Montaje tanto en falso techo como en pared, especialmente para impulsión.
Modelos BOREA P: disponen de manguito de conexión con anclajes para montaje sobre pladur.
Modelos BOREA J: disponen de cuello con junta.
Diámetro 80 / 125.

| Código | Modelo | Grupo producto | Precio €/u. |
|------------|-------------|----------------|-------------|
| 5416033600 | BOREA 80 J | E95 | 19,57 |
| 5416033500 | BOREA 80 P | E95 | 23,86 |
| 5416996100 | BOREA 125 J | E95 | 27,42 |
| 5416033700 | BOREA 125 P | E95 | 33,64 |

**BOCP**

Bocas de extracción plásticas empleadas principalmente en viviendas unifamiliares. Se pueden instalar en techo fino tipo pladur: boca con soportes de anclaje pladur (BOCP). El manguito con soportes de anclaje pladur realizado en plástico consta de 3 soportes de anclaje de fijación. Una junta garantiza la sujeción al conducto y su hermeticidad.

| Código | Modelo | Grupo producto | Precio €/u. |
|------------------------------------|----------|----------------|-------------|
| Bocas de extracción plásticas BOCP | | | |
| 5209151700 | BOCP-80 | E95 | 5,12 |
| 5209151800 | BOCP-125 | E95 | 7,50 |

**BOAP**

Bocas de extracción plásticas para usar en viviendas unifamiliares. Distintos manguitos permiten numerosas aplicaciones. Aberturas con soporte de anclaje pladur (BOAP). El manguito con soportes de anclaje pladur realizado en plástico consta de 3 soportes de anclaje de fijación.

| Código | Modelo | Grupo producto | Precio €/u. |
|------------------------------------|----------|----------------|-------------|
| Bocas de extracción plásticas BOAP | | | |
| 5209125300 | BOAP-80 | E95 | 5,12 |
| 5209126100 | BOAP-125 | E95 | 7,50 |



BOR

Bocas de plástico ajustables, de color blanco, utilizadas tanto para la extracción como para la impulsión de aire en estancias y locales comerciales. Rango de utilización incluido entre 40 y 150 Pa. El obturador central móvil permite realizar el control del caudal gracias a un tornillo de ajuste.

Se presenta en 2 versiones:

- Aberturas ajustables de junta para instalación en conducto: BORJ.
- Aberturas ajustables con soportes de anclaje para instalación en pladur: BORP.

| Código | Modelo | Grupo producto | Precio €/u. |
|--|----------|----------------|-------------|
| Bocas de extracción e impulsión, de plástico, ajustables, para conducto BORJ | | | |
| 5416615100 | BORJ-80 | E95 | 11,95 |
| 5416615200 | BORJ-100 | E95 | 16,57 |
| 5416616000 | BORJ-125 | E95 | 17,51 |
| 5416618600 | BORJ-160 | E95 | 22,82 |
| 5416619400 | BORJ-200 | E95 | 30,69 |
| Bocas de extracción e impulsión, de plástico ajustables, para pladur BORP | | | |
| 5416619700 | BORP-80 | E95 | 13,00 |
| 5416615300 | BORP-100 | E95 | 17,69 |
| 5416616100 | BORP-125 | E95 | 18,61 |
| 5416618700 | BORP-160 | E95 | 26,01 |
| 5416619500 | BORP-200 | E95 | 36,02 |



BOC

Bocas de extracción regulables fabricadas en chapa de acero recubierta con pintura epoxi de color blanco. Se utilizan para la extracción del aire en viviendas y en locales de uso comercial. Se pueden instalar en la pared o en el techo. Constan de un cono de aspiración y de un obturador central móvil que permite el ajuste del caudal de extracción. Con la boca, se suministra un manguito de acero galvanizado para facilitar la instalación.

| Código | Modelo | Grupo producto | Precio €/u. |
|--|---------|----------------|-------------|
| Bocas de extracción metálicas regulables BOC | | | |
| 5416401700 | BOC-100 | E95 | 7,74 |
| 5416402500 | BOC-125 | E95 | 9,38 |
| 5416405800 | BOC-160 | E95 | 14,55 |
| 5416406600 | BOC-200 | E95 | 20,64 |



BIR

Bocas de impulsión regulables fabricadas en su totalidad en chapa de acero recubierto con pintura epoxi blanca. Constan de un cono de impulsión, un obturador central móvil que permite ajustar el caudal de inyección y guiar el flujo del aire, y una junta de caucho con la que queda asegurada la sujeción, la estanqueidad, y que es resistente a una temperatura continua entre -20°C y 120°C. Se utilizan para la inyección de aire en alojamientos y locales de uso comercial, instalándolas en el techo. Rango de empleo comprendido entre 50 y 150 Pa.

| Código | Modelo | Grupo producto | Precio €/u. |
|---|---------|----------------|-------------|
| Bocas de impulsión metálicas regulables BIR | | | |
| 5209160300 | BIR-100 | E95 | 29,06 |
| 5209160400 | BIR-125 | E95 | 39,27 |
| 5209160500 | BIR-160 | E95 | 53,47 |
| 5209160600 | BIR-200 | E95 | 53,47 |

Reguladores de caudal

**RDR**

Reguladores de caudal autorregulables, ajustables, que se instalan en el interior de un conducto para conseguir un caudal constante en un rango de presión entre 50 y 200 Pa.

- El caudal puede ser ajustado en la propia instalación.
- Se utiliza, en instalaciones comerciales (terciarias), tanto en ventilación como en tratamiento de aire (max 60°C), en extracción o impulsión de aire.
- Se utiliza en viviendas, especialmente en instalaciones de doble flujo.
- Fácil acoplamiento en el conducto.
- Acoplamiento simple en el interior del conducto.
- Estanqueidad mediante junta de goma.
- Fabricados en plástico clasificación al fuego M1, con límite de utilización a temperatura de 60°C.
- Datos en la denominación de los reguladores RDR: Ø / caudal (m³/h).

| Código | Modelo | Grupo producto | Precio €/u. |
|---------------------------|-------------|----------------|-------------|
| Reguladores de caudal RDR | | | |
| 5401631000 | RDR-80/15 | E96 | 22,58 |
| 5401631100 | RDR-80/30 | E96 | 22,58 |
| 5401631200 | RDR-80/45 | E96 | 22,58 |
| 5401631300 | RDR-100/15 | E96 | 27,47 |
| 5401631400 | RDR-100/30 | E96 | 27,47 |
| 5401631500 | RDR-100/45 | E96 | 27,47 |
| 5401631600 | RDR-100/50 | E96 | 27,47 |
| 5401631700 | RDR-100/60 | E96 | 27,47 |
| 5401631800 | RDR-100/75 | E96 | 27,47 |
| 5401631900 | RDR-100/90 | E96 | 27,47 |
| 5401632000 | RDR-125/15 | E96 | 30,95 |
| 5401632100 | RDR-125/30 | E96 | 30,95 |
| 5401632200 | RDR-125/45 | E96 | 30,95 |
| 5401632300 | RDR-125/60 | E96 | 30,95 |
| 5401632400 | RDR-125/75 | E96 | 30,95 |
| 5401632500 | RDR-125/90 | E96 | 30,95 |
| 5401632600 | RDR-125/120 | E96 | 30,95 |
| 5401632700 | RDR-125/150 | E96 | 30,95 |
| 5401632800 | RDR-125/180 | E96 | 30,95 |
| 5401632900 | RDR-160/120 | E96 | 46,08 |
| 5401633000 | RDR-160/150 | E96 | 46,08 |
| 5401633100 | RDR-160/180 | E96 | 46,08 |
| 5401633200 | RDR-160/210 | E96 | 46,08 |
| 5401633300 | RDR-160/240 | E96 | 46,08 |
| 5401633400 | RDR-160/270 | E96 | 46,08 |
| 5401633500 | RDR-160/300 | E96 | 46,08 |
| 5401633600 | RDR-200/210 | E96 | 69,15 |
| 5401633700 | RDR-200/240 | E96 | 69,15 |
| 5401633800 | RDR-200/270 | E96 | 69,15 |
| 5401633900 | RDR-200/300 | E96 | 69,15 |
| 5401634000 | RDR-200/350 | E96 | 69,15 |
| 5401634100 | RDR-200/400 | E96 | 69,15 |
| 5401634200 | RDR-200/450 | E96 | 69,15 |
| 5401634300 | RDR-200/500 | E96 | 69,15 |
| 5401634400 | RDR-250/300 | E96 | 92,46 |
| 5401634500 | RDR-250/350 | E96 | 92,46 |
| 5401634600 | RDR-250/400 | E96 | 92,46 |
| 5401634700 | RDR-250/450 | E96 | 92,46 |
| 5401634800 | RDR-250/500 | E96 | 92,46 |
| 5401634900 | RDR-250/550 | E96 | 103,20 |
| 5401635000 | RDR-250/600 | E96 | 103,20 |
| 5401635100 | RDR-250/650 | E96 | 103,20 |
| 5401635200 | RDR-250/700 | E96 | 103,20 |

**RDR BP / RDR BP SM**

Reguladores de caudal autorregulables, que se instalan en el interior de un conducto (modelos BP) o en el interior del manguito de las bocas BDOP (modelos BP SM), para conseguir un caudal constante en un rango de presión entre 20 y 100 Pa.

- El caudal puede ser ajustado en la propia instalación.
- Se utiliza en instalaciones en terciario, tanto en ventilación como en tratamiento de aire (max 60°C), en extracción o impulsión de aire.
- Se utiliza en viviendas, tanto en soluciones de simple flujo como en doble flujo.
- Ø 100 / Ø 125 mm.
- Fácil acoplamiento.
- Fabricados en plástico clasificación al fuego M1, con límite de utilización a temperatura de 60°C.
- Datos en la denominación de los reguladores RDR BP: Ø / caudal (m³/h).

| Código | Modelo | Grupo producto | Precio €/u. |
|---------------------------------|------------------|----------------|-------------|
| Reguladores de caudal RDR BP | | | |
| 5401224700 | RDR BP 100/15 | E96 | 27,54 |
| 5401229500 | RDR BP 100/30 | E96 | 27,54 |
| 5401224900 | RDR BP 100/45 | E96 | 27,54 |
| 5401225000 | RDR BP 100/60 | E96 | 27,54 |
| 5401221800 | RDR BP 125/15 | E96 | 30,95 |
| 5401221900 | RDR BP 125/30 | E96 | 30,95 |
| 5401222000 | RDR BP 125/40 | E96 | 30,95 |
| 5401222100 | RDR BP 125/60 | E96 | 30,95 |
| 5401222200 | RDR BP 125/75 | E96 | 30,95 |
| 5401222300 | RDR BP 125/90 | E96 | 30,95 |
| Reguladores de caudal RDR BP SM | | | |
| 5401222400 | RDR BP 125/15 SM | E96 | 27,86 |
| 5401222500 | RDR BP 125/30 SM | E96 | 27,86 |
| 5401222600 | RDR BP 125/40 SM | E96 | 27,86 |
| 5401222700 | RDR BP 125/60 SM | E96 | 27,86 |
| 5401222800 | RDR BP 125/75 SM | E96 | 27,86 |
| 5401222900 | RDR BP 125/90 SM | E96 | 27,86 |



Modelos RD BP



Modelos RD BP SM

RD BP / RD BP SM

Reguladores de caudal autorregulables, que se instalan en el interior de un conducto (modelos BP) o en el interior del manguito de las bocas BDOP (modelos BP SM), para conseguir un caudal constante en un rango de presión entre 20 y 100 Pa.

- Se utiliza en instalaciones en terciario, tanto en ventilación como en tratamiento de aire (max 60°C), en extracción o impulsión de aire.
- Se utiliza en viviendas, tanto en soluciones de simple flujo como en doble flujo.
- Ø 80 mm.
- Fácil acoplamiento.
- Fabricados en plástico clasificación al fuego M1, con límite de utilización a temperatura de 60°C.
- Datos en la denominación de los reguladores RD BP: Ø / caudal (m³/h).

| Código | Modelo | Grupo producto | Precio €/u. |
|--------------------------------|----------------|----------------|-------------|
| Reguladores de caudal RD BP | | | |
| 5401636500 | RD BP 80/15 | E96 | 22,19 |
| 5401636600 | RD BP 80/30 | E96 | 22,19 |
| Reguladores de caudal RD BP SM | | | |
| 5401636700 | RD BP 80/15 SM | E96 | 18,72 |
| 5401636800 | RD BP 80/30 SM | E96 | 18,72 |

Plenums



PLENUM UNI EXT 6+1

Plénium aislado de extracción con descarga Ø 125/150-160 mm, 1 embocadura para cocina Ø 125 mm y hasta un máximo de 6 embocaduras sanitarias Ø 80 mm.

| Código | Modelo | Grupo producto | Precio €/u. |
|------------|--------------------|----------------|-------------|
| 5153674200 | PLENUM UNI EXT 6+1 | E99 | 109,70 |



PLENUM UNI IMP 8

Plénium aislado de impulsión con aspiración Ø 125/150-160 mm, y hasta un máximo de 8 embocaduras para zonas secas (comedor, salón, habitaciones) Ø 80 mm.

| Código | Modelo | Grupo producto | Precio €/u. |
|------------|------------------|----------------|-------------|
| 5153674100 | PLENUM UNI IMP 8 | E99 | 109,70 |



AAP

Accesorio acústico para modelos PLENUM UNI.

| Código | Modelo | Grupo producto | Precio €/u. |
|------------|--------|----------------|-------------|
| 5209352700 | AAP | E99 | 15,53 |

Conductos

**GSA-M0**

Conductos flexibles de aluminio. Constan de un revestimiento de aluminio y poliéster que envuelve un armazón helicoidal de hilo de acero. Se utilizan para instalaciones generales en viviendas unifamiliares, colectivas o comerciales.

Clasificación: M0

Radio de curvatura mínimo: $0,6 \times \varnothing$

Temperatura de uso: de -30°C a $+250^{\circ}\text{C}$

| Código | Modelo | Grupo producto | Precio €/u. |
|--|----------------|----------------|---------------|
| Conductos flexibles de aluminio GSA-M0 | | | |
| 5209191900 | GSA-M0 80 10M | E99 | 44,32 |
| 5209150000 | GSA-M0 80 3M | E99 | 18,18 |
| 5209192000 | GSA-M0 100 10M | E99 | 44,32 |
| 5209150200 | GSA-M0 100 3M | E99 | 18,18 |
| 5209192100 | GSA-M0 125 10M | E99 | 49,68 |
| 5209150400 | GSA-M0 125 3M | E99 | 19,23 |
| 5209192200 | GSA-M0 150 10M | E99 | 64,27 |
| 5209150500 | GSA-M0 150 3M | E99 | 24,13 |
| 5209150900 | GSA-M0 160 10M | E99 | 84,47 |
| 5209150100 | GSA-M0 160 3M | E99 | 29,68 |
| 5209151000 | GSA-M0 200 10M | E99 | 91,85 |
| 5209150600 | GSA-M0 200 3M | E99 | 32,11 |
| 5209151100 | GSA-M0 250 10M | E99 | 100,70 |
| 5209150700 | GSA-M0 250 3M | E99 | 34,89 |
| 5209151200 | GSA-M0 315 10M | E99 | 130,61 |
| 5209150800 | GSA-M0 315 3M | E99 | 44,38 |

**GSI-M0**

Conductos flexibles aislados de aluminio y poliéster. Constan de un conducto interior M0, protegido por un recubrimiento de 25 mm de fibra de vidrio M0 y recubierto con aluminio flexible, reforzado con malla de fibra de vidrio M1.

Los conductos GSI ofrecen un buen aislamiento tanto térmico como acústico.

Clasificación: M0/M1

Radio de curvatura mínimo: $0,7 \times \varnothing$

Temperatura de uso: de -10°C a $+150^{\circ}\text{C}$

| Código | Modelo | Grupo producto | Precio €/u. |
|---|----------------|----------------|---------------|
| Conductos flexibles aislados de aluminio GSI-M0 | | | |
| 5416464500 | GSI-M0 125 10M | E99 | 100,57 |
| 5209192300 | GSI-M0 125 3M | E99 | 48,92 |
| 5416465200 | GSI-M0 160 10M | E99 | 122,08 |
| 5209192400 | GSI-M0 160 3M | E99 | 57,70 |
| 5416466000 | GSI-M0 200 10M | E99 | 146,68 |
| 5209192500 | GSI-M0 200 3M | E99 | 69,36 |
| 5416467800 | GSI-M0 250 10M | E99 | 178,55 |
| 5209192600 | GSI-M0 250 3M | E99 | 82,68 |
| 5416468600 | GSI-M0 315 10M | E99 | 209,92 |
| 5209192700 | GSI-M0 315 3M | E99 | 102,40 |



GP

Conductos flexibles de PVC gris con armazón helicoidal de hilo de acero.
Se utilizan en instalaciones de VMC individual.
Longitud: 6 metros.
Clasificación: Sin
Radio de curvatura mínimo: 0,6 x Ø
Temperatura de uso: de -10°C a +60°C

| Código | Modelo | Grupo producto | Precio €/u. |
|--------------------------------|-----------|----------------|-------------|
| Conductos flexibles de PVC, GP | | | |
| 5209147300 | GP-60 6M | E99 | 10,50 |
| 5209147400 | GP-80 6M | E99 | 13,74 |
| 5209147500 | GP-100 6M | E99 | 15,24 |
| 5209147600 | GP-125 6M | E99 | 19,42 |
| 5209147700 | GP-150 6M | E99 | 21,45 |



GP-PRO

Conductos flexibles de PVC gris con armazón helicoidal de hilo de acero. Se utilizan en instalaciones de VMC individual.
Longitud: 20 metros.
Clasificación: Sin
Radio de curvatura mínimo: 0,6 x Ø
Temperatura de uso: de -10°C a +60°C

| Código | Modelo | Grupo producto | Precio €/u. |
|------------------------------------|----------------|----------------|-------------|
| Conductos flexibles de PVC, GP-PRO | | | |
| 5209147800 | GP-PRO 80 20M | E99 | 49,36 |
| 5209147900 | GP-PRO 125 20M | E99 | 69,08 |



GPX

Conductos flexibles de PVC gris reforzados con malla de poliéster, con armazón helicoidal de hilo de acero. Se utilizan en instalaciones de VMC individual.
Longitud: 6 metros.
Clasificación: Sin
Radio de curvatura mínimo: 0,6 x Ø
Temperatura de uso: de -10°C a +80°C

| Código | Modelo | Grupo producto | Precio €/u. |
|---------------------------------|------------|----------------|-------------|
| Conductos flexibles de PVC, GPX | | | |
| 5209149500 | GPX-60 6M | E99 | 23,64 |
| 5209148900 | GPX-80 6M | E99 | 26,09 |
| 5209149000 | GPX-100 6M | E99 | 40,43 |
| 5209149100 | GPX-125 6M | E99 | 46,83 |
| 5209149200 | GPX-150 6M | E99 | 56,40 |
| 5209149300 | GPX-160 6M | E99 | 62,22 |
| 5209149400 | GPX-200 6M | E99 | 85,84 |



GRX

Conductos flexibles rectangulares de PVC gris, reforzados, diseñados para instalaciones de VMC individual.
Longitud: 6 metros.
Clasificación: Sin
Radio de curvatura mínimo: 0,6 x Ø
Temperatura de uso: de -10°C a +80°C

| Código | Modelo | Grupo producto | Precio €/u. |
|---------------------------------|---------------|----------------|-------------|
| Conductos flexibles de PVC, GRX | | | |
| 5209149600 | GRX 90X45 6M | E99 | 38,27 |
| 5209149700 | GRX 135X70 6M | E99 | 61,65 |



GP-ISO ECOSOFT

Conductos flexibles aislados de PVC negro, sin ftalatos, protegidos por una capa aislante de fibra de vidrio reciclable de 25 mm. Emisión de compuestos orgánicos volátiles, COV: Clase A+. No produce ni olor, ni polvo, ni alergias. Se utilizan en instalaciones de VMC individual para conectar el grupo ventilador con las bocas. Clasificación: Sin. Radio de curvatura mínimo: 1 x Ø. Temperatura de uso: de -10°C a +60°C

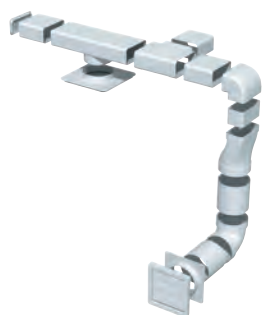


GPR-ISO

Conductos rígidos aislados de polietileno, de 2 metros de longitud y 15 mm de grosor, y accesorios. Se utilizan en instalaciones de VMC unifamiliares y colectivas donde haya riesgo de pérdidas energéticas a través del conducto.

| Código | Modelo | Grupo producto | Precio €/u. |
|--|---------------------------|----------------|--------------|
| Conductos flexibles de PVC, GP-ISO ECOSOFT | | | |
| 5209346400 | GP-ISO 80/25 10M ECOSOFT | E99 | 61,85 |
| 5209345900 | GP-ISO 80/25 6M ECOSOFT | E99 | 32,73 |
| 5209346600 | GP-ISO 100/25 6M ECOSOFT | E99 | 36,99 |
| 5209346500 | GP-ISO 125/25 10M ECOSOFT | E99 | 78,76 |
| 5209346000 | GP-ISO 125/25 6M ECOSOFT | E99 | 40,43 |
| 5209346200 | GP-ISO 160/25 6M ECOSOFT | E99 | 50,77 |
| 5209346300 | GP-ISO 200/25 6M ECOSOFT | E99 | 66,70 |

| Código | Modelo | Grupo producto | Precio €/u. |
|-----------------------------|-----------------|----------------|---------------|
| Conductos GPR-ISO | | | |
| 5209347100 | GPR-ISO 80 | E99 | 44,55 |
| 5209193000 | GPR-ISO 125 | E99 | 99,62 |
| 5209193800 | GPR-ISO 160 | E99 | 121,26 |
| Codos CDR-ISO de 30° | | | |
| 5209347200 | CDR-ISO 80/30 | E99 | 36,91 |
| 5209193300 | CDR-ISO 125/30 | E99 | 37,90 |
| 5209194100 | CDR-ISO 160/30 | E99 | 39,92 |
| Codos CDR-ISO de 45° | | | |
| 5209347300 | CDR-ISO 80/45 | E99 | 37,51 |
| 5209193200 | CDR-ISO 125/45 | E99 | 39,17 |
| 5209194000 | CDR-ISO 160/45 | E99 | 41,26 |
| Codos CDR-ISO de 90° | | | |
| 5209347400 | CDR-ISO 80/90 | E99 | 39,12 |
| 5209193100 | CDR-ISO 125/90 | E99 | 43,03 |
| 5209193900 | CDR-ISO 160/90 | E99 | 47,01 |
| Tes, TER | | | |
| 5416048400 | TER-ISO 125/80 | E99 | 72,50 |
| 5416048700 | TER-ISO 160/80 | E99 | 98,41 |
| 5416816900 | TER-ISO 125/125 | E99 | 76,08 |
| 5416817100 | TER-ISO 160/125 | E99 | 102,82 |
| Bridas de sujeción, CSR-ISO | | | |
| 5416817200 | CSR-ISO 125 | E99 | 8,73 |
| 5416817400 | CSR-ISO 160 | E99 | 14,47 |
| Acoplamientos, MFR-ISO | | | |
| 5416817500 | MFR-ISO 125 | E99 | 13,11 |
| 5416817700 | MFR-ISO 160 | E99 | 14,62 |



**TUBREC
TUBCIR**

Gama de conductos rectangulares y circulares y sus accesorios para instalaciones en viviendas unifamiliares y colectivas. Especialmente indicados para instalaciones en falso techo con poco espacio disponible. Ofrecen instalaciones estéticas con buen acabado. Gama completa de accesorios.

Características

- Conducto termoplástico (PVC) ignífugo autoextinguible.
- Accesorios de poliestireno de alto impacto.

- Alta estanqueidad.
- Antihongo.
- Antibacteriano.
- Libre metales pesados.
- Temperatura de trabajo: 90°C.
- 100% antiputrefacción.
- Higiénico antiadherente partículas sólidas.
- Anticorrosión.
- Atérmico y dieléctrico.
- Atenuador acústico.

Aplicaciones específicas



VMC viviendas unifamiliares



VMC viviendas colectivas

TUBREC - Tarifa

| Código | Modelo | Descripción | Unids. por caja | Grupo producto | Precio €/u. | Precio por metro |
|-------------------|------------------------|---|-----------------|----------------|-------------|------------------|
| TUBREC 100 | | | | | | |
| 5416836200 | TUBREC TR 100 1.5 | Tubo rectangular 110x55x1.500 mm | 16 | E97 | 10,90 | 7,27 |
| 5416067900 | TUBREC TR 100 3.0 N | Tubo rectangular 110x55x3.000 mm * | 320 | E97 | 21,81 | 7,27 |
| 5416837200 | TUBREC FRP 100 | Abrazadera rectangular plana 110x55 mm | 1 | E97 | 1,82 | |
| 5416837300 | TUBREC FRPC 100 | Abrazadera rectangular canto 110x55 mm | 1 | E97 | 2,08 | |
| 5416836300 | TUBREC MR 100 | Manguito rectangular 110x55 mm | 1 | E97 | 1,18 | |
| 5416836400 | TUBREC MM 100 | Manguito mixto Ø 100 mm 110x55 mm | 1 | E97 | 2,63 | |
| 5416836500 | TUBREC CMH 100 | Codo 90º mixto Ø 100 mm 110x55 mm | 1 | E97 | 2,08 | |
| 5416836600 | TUBREC CRV 90 100 | Codo 90º rectangular vertical 110x55 mm | 1 | E97 | 1,95 | |
| 5416836700 | TUBREC CRH 90 100 | Codo 90º rectangular horizontal 110x55 mm | 1 | E97 | 2,03 | |
| 5416837400 | TUBREC CRH 45 100 | Codo 45º rectangular horizontal 110x55 mm | 1 | E97 | 2,28 | |
| 5416837500 | TUBREC TERH 100 | Té tres bocas rectangular horizontal 110x55 mm | 1 | E97 | 7,15 | |
| 5416837600 | TUBREC TEMV 100 | Té mixta rectangular vertical 110x55 mm Ø 100 mm | 1 | E97 | 7,15 | |
| 5416837700 | TUBREC MPR 100 | Manguito pared rectangular 110x55 mm | 1 | E97 | 2,52 | |
| 5416837000 | TUBREC MPM 100 | Manguito pared mixto Ø 100 mm 110x55 mm | 1 | E97 | 2,01 | |
| 5416837100 | TUBREC EPR 100 | Embellecedor pared rectangular 110x55 mm | 1 | E97 | 1,40 | |
| 5416837800 | TUBREC RER 100 BLANCA | Rejilla exterior rectangular 110x55 mm blanca | 1 | E97 | 4,81 | |
| 5416838100 | TUBREC RER 100 MARRON | Rejilla exterior rectangular 110x55 mm marrón | 1 | E97 | 5,56 | |
| 5416836900 | TUBREC VAR 100 BLANCA | Persiana exterior rectangular 110x55 mm blanca | 1 | E97 | 3,05 | |
| 5416838000 | TUBREC VAR 100 MARRON | Persiana exterior rectangular 110x55 mm marrón | 1 | E97 | 3,80 | |
| 5416836800 | TUBREC VARM 100 BLANCA | Persiana exterior mixta Ø 100 mm 110x55 mm blanca | 1 | E97 | 3,05 | |
| 5416837900 | TUBREC VARM 100 MARRON | Persiana exterior mixta Ø 100/110x55 mm marrón | 1 | E97 | 3,80 | |
| TUBREC 120 | | | | | | |
| 5416838200 | TUBREC TR 120 1.5 | Tubo rectangular 147x70x1.500 mm | 12 | E97 | 21,73 | 14,48 |
| 5416068000 | TUBREC TR 120 3.0 N | Tubo rectangular 147x70x3.000 mm * | 180 | E97 | 43,45 | 14,48 |
| 5416839100 | TUBREC FRP 120 | Abrazadera rectangular plana 147x70 mm | 1 | E97 | 1,81 | |
| 5416838400 | TUBREC MR 120 | Manguito rectangular 147x70 mm | 1 | E97 | 2,02 | |
| 5416838500 | TUBREC MM 120 | Manguito mixto Ø 120 mm 147x70 mm | 1 | E97 | 4,32 | |
| 5416844300 | TUBREC RR 120 | Reducción rectangular 147x70 a 110x50 | 1 | E97 | 9,54 | |
| 5416838600 | TUBREC CMH 120 | Codo 90º mixto Ø 120 mm 147x70 mm | 1 | E97 | 3,80 | |
| 5416838700 | TUBREC CRV 90 120 | Codo 90º rectangular vertical 147x70 mm | 1 | E97 | 3,81 | |
| 5416838800 | TUBREC CRH 90 120 | Codo 90º rectangular horizontal 147x70 mm | 1 | E97 | 4,16 | |
| 5416839200 | TUBREC CRH 45 120 | Codo 45º rectangular horizontal 147x70 mm | 1 | E97 | 3,99 | |
| 5416839300 | TUBREC TERH 120 | Té tres bocas rectangulares 147x70 mm | 1 | E97 | 15,18 | |
| 5416839400 | TUBREC MPR 120 | Manguito pared rectangular 147x70 mm | 1 | E97 | 3,16 | |
| 5416839000 | TUBREC EPR 120 | Embellecedor pared rectangular 147x70 mm | 1 | E97 | 1,83 | |
| 5416839500 | TUBREC RER 120 BLANCA | Rejilla exterior rectangular 147x70 mm blanca | 1 | E97 | 4,87 | |
| 5416839700 | TUBREC RER 120 MARRON | Rejilla exterior rectangular 147x70 mm marrón | 1 | E97 | 4,87 | |
| 5416838900 | TUBREC VAR 120 BLANCA | Persiana exterior rectangular 147x70 mm blanca | 1 | E97 | 5,07 | |
| 5416839600 | TUBREC VAR 120 MARRON | Persiana exterior rectangular 147x70 mm marrón | 1 | E97 | 5,10 | |

* Todos los conductos de 3 metros de longitud, plazo de entrega a consultar.

(N) NOVEDAD

TUBREC - Tarifa

| Código | Modelo | Descripción | Unids. por caja | Grupo producto | Precio €/u. | Precio por metro |
|-------------------|------------------------|---|-----------------|----------------|-------------|------------------|
| TUBREC 150 | | | | | | |
| 5416839800 | TUBREC TR 150 1.5 | Tubo rectangular 170x90x1.500 mm | 8 | E97 | 25,03 | 16,68 |
| (N) 5416068100 | TUBREC TR 150 3.0 N | Tubo rectangular 170x90x3.000 mm * | 120 | E97 | 50,03 | 16,68 |
| 5416840000 | TUBREC MR 150 | Manguito rectangular 170x90 mm | 1 | E97 | 6,25 | |
| 5416840100 | TUBREC MM 150 | Manguito mixto Ø 150 mm 170x90 mm | 1 | E97 | 12,35 | |
| 5416844400 | TUBREC RR 150 | Reducción rectangular 170x90 a 147x70 | 1 | E97 | 12,35 | |
| 5416840200 | TUBREC CMH 150 | Codo 90º mixto Ø 150 mm 170x90 mm | 1 | E97 | 9,73 | |
| 5416840300 | TUBREC CRV 90 150 | Codo 90º rectangular vertical 170x90 mm | 1 | E97 | 9,23 | |
| 5416840400 | TUBREC CRH 90 150 | Codo 90º rectangular horizontal 170x90 mm | 1 | E97 | 12,35 | |
| 5416840500 | TUBREC CRH 45 150 | Codo 45º rectangular horizontal 170x90 mm | 1 | E97 | 15,61 | |
| 5416844500 | TUBREC TERH 150 | Té tres bocas rectangulares 170x90 | 1 | E97 | 37,07 | |
| 5416840600 | TUBREC VARM 150 BLANCA | Persiana mixta 170 X 90 mm y 150 mm (antirretorno) | 1 | E97 | 8,66 | |
| 5416840700 | TUBREC VARM 150 MARRON | Persiana mixta 170 X 90 mm y Ø 150 mm marrón (antirretorno) | 1 | E97 | 9,23 | |

* Todos los conductos de 3 metros de longitud, plazo de entrega a consultar.

TUBCIR - Tarifa

| Código | Modelo | Descripción | Unids. por caja | Grupo producto | Precio €/u. | Precio por metro |
|-------------------|-----------------------|---|-----------------|----------------|-------------|------------------|
| TUBCIR 100 | | | | | | |
| 5416840800 | TUBCIR TC 100 1.5 | Tubo circular Ø 100x1.500 mm | 12 | E97 | 10,90 | 7,27 |
| (N) 5416068200 | TUBCIR TC 100 3.0 N | Tubo circular Ø 100x3.000 mm * | 200 | E97 | 21,81 | 7,27 |
| 5416841400 | TUBCIR FC 100 | Abrazadera circular Ø 100 mm | 1 | E97 | 1,82 | |
| 5416841000 | TUBCIR MC 100 | Manguito circular Ø 100 mm | 1 | E97 | 1,18 | |
| 5416024600 | TUBCIR RE 100 | Reducción Ø 100 a Ø 80 mm | 1 | E97 | 4,82 | |
| 5416841100 | TUBCIR REM | Reducción múltiple Ø 125-120-115-100 mm | 1 | E97 | 2,01 | |
| 5416841200 | TUBCIR CC 90 100 | Codo 90º circular Ø 100 mm | 1 | E97 | 3,25 | |
| 5416841600 | TUBCIR CC 45 100 | Codo 45º circular Ø 100 mm | 1 | E97 | 3,66 | |
| 5416032600 | TUBCIR TEC 100 | Té tres bocas circular Ø 100 mm | 1 | E97 | 14,53 | |
| 5416841500 | TUBCIR MPC 100 | Manguito pared circular Ø 100 mm | 1 | E97 | 2,47 | |
| 5416841300 | TUBCIR EPC 100 | Embelledor pared circular Ø 100 mm | 1 | E97 | 1,40 | |
| 5416841700 | TUBCIR REC 100 BLANCA | Rejilla exterior circular Ø 100 mm blanca | 1 | E97 | 4,81 | |
| 5416841800 | TUBCIR REC 100 MARRON | Rejilla exterior circular Ø 100 mm marrón | 1 | E97 | 5,56 | |

TUBCIR 120

| | | | | | | |
|----------------|-----------------------|---|-----|-----|-------|-------|
| 5416841900 | TUBCIR TC 120 1.5 | Tubo circular Ø 120x1.500 mm | 8 | E97 | 21,73 | 14,48 |
| (N) 5416068300 | TUBCIR TC 120 3.0 N | Tubo circular Ø 120x3.000 mm * | 120 | E97 | 43,45 | 14,48 |
| 5416842600 | TUBCIR FC 120 | Abrazadera circular Ø 120 mm | 1 | E97 | 1,96 | |
| 5416842100 | TUBCIR MC 120 | Manguito circular Ø 120 mm | 1 | E97 | 1,80 | |
| 5416844000 | TUBCIR RE 120 | Reducción Ø 125 a Ø 120 mm | 1 | E97 | 4,82 | |
| 5416841100 | TUBCIR REM | Reducción múltiple Ø 125-120-115-100 mm | 1 | E97 | 2,01 | |
| 5416842300 | TUBCIR CC 90 120 | Codo 90º circular Ø 120 mm | 1 | E97 | 3,93 | |
| 5416842800 | TUBCIR CC 45 120 | Codo 45º circular Ø 120 mm | 1 | E97 | 4,24 | |
| 5416843400 | TUBCIR TEC 120 | Té tres bocas circular Ø 120 mm | 1 | E97 | 15,18 | |
| 5416842700 | TUBCIR MPC 120 | Manguito pared circular Ø 120 mm | 1 | E97 | 3,16 | |
| 5416842500 | TUBCIR EPC 120 | Embelledor pared circular Ø120 mm | 1 | E97 | 1,73 | |
| 5416842900 | TUBCIR REC 120 BLANCA | Rejilla exterior circular Ø 120 mm blanca | 1 | E97 | 4,87 | |
| 5416843200 | TUBCIR REC 120 MARRON | Rejilla exterior circular Ø 120 mm marrón | 1 | E97 | 4,87 | |
| 5416842400 | TUBCIR VAC 120 BLANCA | Persiana exterior circular Ø120 mm blanca | 1 | E97 | 4,24 | |
| 5416843100 | TUBCIR VAC 120 MARRON | Persiana exterior circular Ø120 mm marrón | 1 | E97 | 4,82 | |

TUBCIR 150

| | | | | | | |
|----------------|-------------------|---------------------------------|----|-----|-------|-------|
| 5416843500 | TUBCIR TC 150 1.5 | Tubo circular Ø 150x1.500 mm | 8 | E97 | 25,03 | 16,68 |
| 5416843600 | TUBCIR TC 150 3.0 | Tubo circular Ø 150x3.000 mm * | 72 | E97 | 50,03 | 16,68 |
| 5416843700 | TUBCIR MC 150 | Manguito circular Ø 150 mm | 1 | E97 | 6,25 | |
| 5416843900 | TUBCIR RE 150 | Reducción Ø 150 a Ø 120 mm | 1 | E97 | 4,82 | |
| 5416843800 | TUBCIR CC 90 150 | Codo 90º circular Ø 150 mm | 1 | E97 | 11,49 | |
| (N) 5416067400 | TUBCIR TEC 150 | Té tres bocas circular Ø 150 mm | 1 | E97 | 41,00 | |
| | RED-150/125 P | Reducción Ø 150 a Ø 125 | 1 | | | |

(Ver código y precio en Accesorios Generales)

* Todos los conductos de 3 metros de longitud, plazo de entrega a consultar.

(N) NOVEDAD

FLEXIREC

Gama de conductos semiflexibles oblongos y sus accesorios para instalaciones en viviendas unifamiliares y colectivas. Especialmente indicados para instalaciones en falso techo con poco espacio disponible. Combina la ventaja de instalación de un conducto flexible y la resistencia de un conducto rígido, evitando que se pueda deformar. Su diseño interno minimiza la pérdida de carga. Dimensiones 114x50 mm. Gama completa de accesorios.

Características

- Conducto de polietileno PE.
- Accesorios de poliestireno de alto impacto.
- Muy baja altura (50 mm).
- Fácil instalación.
- Montaje por encaje.
- Accesorio de regulación de caudal.

| Código | Modelo | Descripción | Unids. por caja | Grupo producto | Precio €/u. |
|------------|------------|--|-----------------|----------------|---------------|
| 5416829400 | CO50/25 | Conducto oblongo 114x50 (25 metros) | 1 | E98 | 428,87 |
| 5416831600 | ABM50 | Plénium boca | 1 | E98 | 38,53 |
| 5800016700 | ACR 50/75 | Manguito mixto Ø75 - 114x50 para ABM 50 | 1 | E98 | 4,82 |
| 5416995900 | ACR 50/80 | Manguito mixto Ø80 - 114x50 | 1 | E98 | 10,01 |
| 5800016800 | ACR 50/90 | Manguito mixto Ø90 - 114x50 para ABM 50 | 1 | E98 | 6,24 |
| 5416996000 | ACR 50/125 | Manguito mixto Ø125 2 x 114x50 | 1 | E98 | 37,49 |
| 5416830200 | BFR50 | Tapón colector | 1 | E98 | 8,32 |
| 5416829700 | CHR50 | Codo horizontal oblongo | 1 | E98 | 20,65 |
| 5416829600 | CVR50 | Codo vertical oblongo | 1 | E98 | 20,61 |
| 5416830000 | FXR50 | Abrazaderas (pack de 30 unidades) | 1 | E98 | 133,22 |
| 5416829800 | MCR50 | Manguito conexión de conducto | 1 | E98 | 20,06 |
| 5416032500 | MDN50 | Racord colector NOD50 | 1 | E98 | 16,49 |
| 5416833200 | MTA50 | Alargador rosca del ABM50 | 8 | E98 | 7,03 |
| 5416829500 | NOD50 | Tobera/colector para conducto oblongo con ajuste de caudal | 1 | E98 | 57,57 |
| 5407049000 | PLI 50/5P | Plénium de 5 toberas CO50 | 1 | E98 | 161,37 |
| 5407048900 | PLI 50/9P | Plénium de 9 toberas CO50 | 1 | E98 | 239,32 |
| 5416830100 | RMN50 M/F | Adaptador colector conducto circular | 1 | E98 | 15,65 |
| 5416829900 | THR50 | Té horizontal oblonga | 1 | E98 | 28,02 |

FLEXICIR

Gama de conductos semiflexibles circulares y sus accesorios, para instalación en viviendas unifamiliares y colectivas.

Especialmente indicados para ubicar en falso techo con poco espacio disponible. Combina la ventaja de instalación de un conducto flexible y la resistencia de un conducto rígido, evitando que se pueda deformar. Su superficie interior lisa minimiza la pérdida de carga.

Dimensiones

75 mm exterior / 63 mm interior.
90 mm exterior / 73 mm interior.

Gama completa de accesorios.
Modelos MVDNI: incorporan aislamiento térmico de 3,5 mm de espesor.

Características

- Conducto de PE.
- Antibacteriano.
- Antimoho.
- Antiestático.
- Fácil instalación.
- Montaje por encaje.
- Accesorio de regulación de caudal.
- Rango de temperatura de funcionamiento: -50°C/+60°C.

| Código | Modelo | Descripción | Unids. por caja | Grupo producto | Precio €/u. |
|-----------------------|---------------|---|-----------------|----------------|---------------|
| 5800010600 | MVD75 | Conducto semiflexible circular Ø75 (50 metros) | 1 | E98 | 269,47 |
| 5800010700 | MVD90 | Conducto semiflexible circular Ø90 (50 metros) | 1 | E98 | 367,00 |
| 5205003300 | BO090-75 | Codo circular 90° Ø75 | 1 | E98 | 15,56 |
| 5416055300 | BO090-90 | Codo circular 90° Ø90 | 1 | E98 | 32,44 |
| 5800012900 | FTRGALAXY | Filtro F3 plénium GALAXY | 1 | E98 | 13,76 |
| 5800009800 | GALAXY | Plénium rejilla | 1 | E98 | 77,01 |
| 5800010400 | MARTE250100 | Rejilla 250 x 100 | 1 | E95 | 91,96 |
| 5800010500 | TERRA250100 | Rejilla 250 x 100 | 1 | E95 | 65,66 |
| (N) 5800009900 | VMKIT75 | Tobera Ø75 para GALAXY (pack de 5 unidades) | 1 | E98 | 50,91 |
| 5800010000 | VMKIT90 | Tobera Ø90 para GALAXY (pack de 5 unidades) | 1 | E98 | 83,69 |
| 5800026600 | MVDNI 75 | Conducto semiflexible circular aislado Ø75 (50 metros) | 1 | E98 | 787,48 |
| 5800026700 | MVDNI 90 | Conducto semiflexible circular aislado Ø90 (50 metros) | 1 | E98 | 894,76 |
| 5800010800 | PVMCSH6 | Plénium con 6 toberas de Ø75/90 | 1 | E98 | 213,14 |
| (N) 5800030700 | PVMCSH10 | Plénium con 10 toberas de Ø75/90 | 1 | E98 | 234,76 |
| 5153181900 | PLENUM UNI PL | Plénium con 4 toberas PLUGK 75/90 incorporadas | 1 | E98 | 268,61 |
| 5205003200 | RD75 | Regulador de caudal Ø75 | 1 | E98 | 23,76 |
| 5401220600 | RDC75 | Regulador manual de caudal con caudalímetro Ø75 | 1 | E98 | 60,89 |
| 5800016400 | RED 80/75 | Adaptador Ø80 - Ø75 | 1 | E98 | 5,50 |
| 5800016500 | RED 80/90 | Adaptador Ø80 - Ø90 | 1 | E98 | 6,04 |
| 5800017000 | RED 90/125 | Manguito circular 2xØ90 - Ø125 | 1 | E98 | 13,76 |
| 5205003400 | UA75 | Manguito conexión Ø75 | 1 | E98 | 5,02 |
| 5800023000 | VM-A-75 | Manguito conexión conductos Ø75 | 1 | E98 | 5,33 |
| 5800023100 | VM-A-90 | Manguito conexión conductos Ø90 | 1 | E98 | 9,09 |
| 5416040700 | PLUGSK 75/90 | Tobera Ø75-90 (pack de 5 unidades) | 1 | E98 | 55,91 |
| 5416059000 | PLUGK 75/90 | Tobera Ø75-90 con accionamiento exterior (pack de 5 unidades) | 1 | E98 | 57,57 |
| 5800047800 | VMKIT 75/90 | Junta Ø75-90 (pack de 5 unidades) | 1 | E98 | 22,90 |

(N) NOVEDAD

Conexiones, reducciones, derivaciones



MRT-P
Acoplamiento de plástico para conectar conductos del mismo diámetro.

| Código | Modelo | Grupo producto | Precio €/u. |
|--------------------------------|----------|----------------|-------------|
| Acoplamiento de plástico MRT-P | | | |
| 5416414000 | MRT-80 P | E99 | 14,47 |



MRT
Acoplamiento metálico para conectar conductos del mismo diámetro. Longitud: 88 mm.

| Código | Modelo | Grupo producto | Precio €/u. |
|---------------------------|---------|----------------|-------------|
| Acoplamiento metálico MRT | | | |
| 5416420700 | MRT-80 | E99 | 7,00 |
| 5416421500 | MRT-100 | E99 | 7,00 |
| 5416422300 | MRT-125 | E99 | 9,21 |
| 5416423100 | MRT-150 | E99 | 10,30 |
| 5416424900 | MRT-160 | E99 | 10,60 |
| 5416425600 | MRT-200 | E99 | 15,55 |
| 5416426400 | MRT-250 | E99 | 17,59 |
| 5416419900 | MRT-315 | E99 | 20,21 |



RED
Reducción circular de chapa de acero, para adaptar conductos de distinto diámetro.

| Código | Modelo | Grupo producto | Precio €/u. |
|--|-------------|----------------|-------------|
| Reducción circular de chapa de acero RED | | | |
| 5416584000 | RED-160/125 | E99 | 11,98 |
| 5416586500 | RED-200/160 | E99 | 17,20 |
| 5416587300 | RED-250/200 | E99 | 19,42 |



RED AL
Reducción circular de aluminio, para adaptar conductos de distinto diámetro.

| Código | Modelo | Grupo producto | Precio €/u. |
|---------------------------------------|----------------|----------------|-------------|
| Reducción circular de aluminio RED AL | | | |
| 5416417600 | RED-160/125 AL | E99 | 68,78 |
| 5416417700 | RED-200/125 AL | E99 | 79,35 |
| 5416417800 | RED-200/160 AL | E99 | 83,13 |
| 5416417900 | RED-250/160 AL | E99 | 92,66 |
| 5416418000 | RED-250/200 AL | E99 | 101,04 |
| 5416418200 | RED-315/200 AL | E99 | 113,65 |
| 5416418300 | RED-315/250 AL | E99 | 117,64 |
| 5416418400 | RED-355/250 AL | E99 | 127,00 |
| 5416418500 | RED-355/315 AL | E99 | 131,92 |
| 5416418600 | RED-400/315 AL | E99 | 141,60 |
| 5416418700 | RED-400/355 AL | E99 | 148,14 |



CRC
Reducción circular de chapa de acero, para adaptar conductos de distinto diámetro.

| Código | Modelo | Grupo producto | Precio €/u. |
|--|-------------|----------------|-------------|
| Reducción circular de chapa de acero CRC | | | |
| 5137710900 | CRC-250/200 | E99 | 20,79 |
| 5137719000 | CRC-315/200 | E99 | 28,35 |
| 5137711700 | CRC-355/250 | E99 | 47,18 |
| 5137712500 | CRC-355/315 | E99 | 48,86 |
| 5137717400 | CRC-400/250 | E99 | 56,76 |
| 5137713300 | CRC-400/315 | E99 | 59,67 |
| 5137714100 | CRC-400/355 | E99 | 56,63 |
| 5137718200 | CRC-500/315 | E99 | 90,05 |
| 5137715800 | CRC-500/400 | E99 | 87,31 |
| 5137716600 | CRC-500/450 | E99 | 96,61 |



RED P
Reducción de plástico, para adaptar conductos de distinto diámetro.

| Código | Modelo | Grupo producto | Precio €/u. |
|--------------------------------------|---------------|----------------|-------------|
| Reducción circular de plástico RED P | | | |
| 5416415700 | RED-100/80 P | E99 | 5,73 |
| 5416416500 | RED-125/100 P | E99 | 6,83 |
| 5416417300 | RED-150/125 P | E99 | 7,63 |
| 5416417400 | RED-160/125 P | E99 | 10,16 |
| 5416417500 | RED-200/160 P | E99 | 14,67 |



TES

Puntos de registro insonorizados. Permiten atenuar el ruido del ventilador, garantizando la estanqueidad de la instalación.

| Código | Modelo | Grupo producto | Precio €/u. |
|------------------------|---------|----------------|---------------|
| Puntos de registro TES | | | |
| 5209197300 | TES 125 | E99 | 102,17 |
| 5209197400 | TES 160 | E99 | 122,83 |
| 5209197500 | TES 200 | E99 | 165,52 |
| 5209197600 | TES 250 | E99 | 223,23 |
| 5209197700 | TES 315 | E99 | 311,54 |
| 5209197800 | TES 355 | E99 | 356,21 |



COET

Colectores de planta. Permite conectar 1, 2 ó 3 injertos de Ø 125 mm.

| Código | Modelo | Grupo producto | Precio €/u. | Código | Modelo | Grupo producto | Precio €/u. |
|---------------------------|----------------|----------------|---------------|---------------------------|-----------------|----------------|---------------|
| Colectores de planta COET | | | | Colectores de planta COET | | | |
| 5209197900 | COET 125/1P | E99 | 22,56 | 5209200100 | COET 125/2P/180 | E99 | 34,09 |
| 5209198000 | COET 160/1P | E99 | 24,14 | 5209200200 | COET 160/2P/180 | E99 | 36,96 |
| 5209198100 | COET 200/1P | E99 | 32,72 | 5209200300 | COET 200/2P/180 | E99 | 44,34 |
| 5209198200 | COET 250/1P | E99 | 39,35 | 5209200400 | COET 250/2P/180 | E99 | 52,73 |
| 5209198300 | COET 315/1P | E99 | 46,50 | 5209200500 | COET 315/2P/180 | E99 | 76,19 |
| 5209198400 | COET 355/1P | E99 | 55,56 | 5209200600 | COET 355/2P/180 | E99 | 79,93 |
| 5209198500 | COET 400/1P | E99 | 73,02 | 5209200700 | COET 400/2P/180 | E99 | 86,66 |
| 5209198600 | COET 450/1P | E99 | 75,35 | 5209200800 | COET 450/2P/180 | E99 | 91,14 |
| 5209198700 | COET 500/1P | E99 | 78,93 | 5209200900 | COET 500/2P/180 | E99 | 108,74 |
| 5209198800 | COET 560/1P | E99 | 91,06 | 5209201000 | COET 560/2P/180 | E99 | 111,30 |
| 5209198900 | COET 630/1P | E99 | 93,92 | 5209201100 | COET 630/2P/180 | E99 | 113,88 |
| 5209199000 | COET 125/2P/90 | E99 | 35,95 | 5209201200 | COET 125/3P | E99 | 49,62 |
| 5209199100 | COET 160/2P/90 | E99 | 40,38 | 5209201300 | COET 160/3P | E99 | 54,30 |
| 5209199200 | COET 200/2P/90 | E99 | 43,50 | 5209201400 | COET 200/3P | E99 | 62,11 |
| 5209199300 | COET 250/2P/90 | E99 | 55,04 | 5209201500 | COET 250/3P | E99 | 70,68 |
| 5209199400 | COET 315/2P/90 | E99 | 73,45 | 5209201600 | COET 315/3P | E99 | 83,04 |
| 5209199500 | COET 355/2P/90 | E99 | 79,57 | 5209201700 | COET 355/3P | E99 | 92,51 |
| 5209199600 | COET 400/2P/90 | E99 | 86,66 | 5209201800 | COET 400/3P | E99 | 106,14 |
| 5209199700 | COET 450/2P/90 | E99 | 92,66 | 5209201900 | COET 450/3P | E99 | 109,72 |
| 5209199800 | COET 500/2P/90 | E99 | 108,74 | 5209202000 | COET 500/3P | E99 | 124,34 |
| 5209199900 | COET 560/2P/90 | E99 | 109,63 | 5209202100 | COET 560/3P | E99 | 128,98 |
| 5209200000 | COET 630/2P/90 | E99 | 111,93 | 5209202200 | COET 630/3P | E99 | 132,15 |



DERIV

Derivaciones de conducto.

| Código | Modelo | Grupo producto | Precio €/u. |
|--------------------------------|---------------------|----------------|-------------|
| Derivaciones de conducto DERIV | | | |
| 5209174100 | DERIV 80-80 P | E99 | 13,70 |
| 5209174400 | DERIV 150-125-125 P | E99 | 14,92 |



SIFON

Sifones de desagüe.

| Código | Modelo | Grupo producto | Precio €/u. |
|--------------------------|--------|----------------|-------------|
| Sifones de desagüe SIFON | | | |
| 5407011500 | SIFON | E99 | 81,45 |



ATRF

Reducción para conectar conductos flexibles de Ø 125-100-80

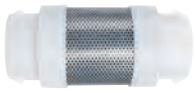
| Código | Modelo | Grupo producto | Precio €/u. |
|------------------|-----------------|----------------|-------------|
| Reducciones ATRF | | | |
| 5209223500 | ATRF 125/100/80 | E99 | 9,70 |



ADRF

Reducción para conectar conductos rígidos de Ø 100-80

| Código | Modelo | Grupo producto | Precio €/u. |
|------------------|-------------|----------------|-------------|
| Reducciones ADRF | | | |
| 5209221600 | ADRF 100/80 | E99 | 7,42 |



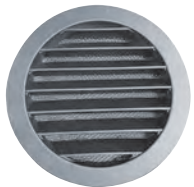
LA
Conexiones acústicas.
Logran una atenuación de 7 dB.
Modelos para Ø de 80 ó 125 mm.

| Código | Modelo | Grupo producto | Precio €/u. |
|-------------------------|--------|----------------|-------------|
| Conexiones acústicas LA | | | |
| 5209173900 | LA 80 | E99 | 45,12 |
| 5209174000 | LA 125 | E99 | 52,28 |



LAF
Conexiones acústicas flexibles.
Modelos para Ø de 80 a 200 mm.
Longitud: 0,5 ó 1 m.
Espesor: 25 mm.

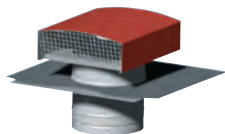
| Código | Modelo | Grupo producto | Precio €/u. |
|------------------------------------|-----------------|----------------|-------------|
| Conexiones acústicas flexibles LAF | | | |
| 5209061400 | LAF 80 1M-25 | E99 | 59,51 |
| 5209061500 | LAF 100 1M-25 | E99 | 62,94 |
| 5209061600 | LAF 125 1M-25 | E99 | 72,43 |
| 5209061700 | LAF 160 1M-25 | E99 | 78,74 |
| 5209069900 | LAF 200 1M-25 | E99 | 99,95 |
| 5209061800 | LAF 80 0,5M-25 | E99 | 52,19 |
| 5209061900 | LAF 100 0,5M-25 | E99 | 55,71 |
| 5209062000 | LAF 125 0,5M-25 | E99 | 64,54 |
| 5209062100 | LAF 160 0,5M-25 | E99 | 67,82 |
| 5209070000 | LAF 200 0,5M-25 | E99 | 86,16 |



GCAM
Rejillas de toma de aire exterior o descarga, circulares, fabricadas en aluminio, con rejilla antipájaros. Versiones RAL 9003 en versión color blanco.

| Código | Modelo | Grupo producto | Precio €/u. |
|--------------------------------------|-------------------|----------------|-------------|
| Rejillas circulares de aluminio GCAM | | | |
| 5137001600 | GCAM 100 | E99 | 14,93 |
| 5137001700 | GCAM 125 | E99 | 17,81 |
| 5137001800 | GCAM 160 | E99 | 23,07 |
| 5137001900 | GCAM 200 | E99 | 33,28 |
| 5137002000 | GCAM 250 | E99 | 51,47 |
| 5137002200 | GCAM 100 RAL 9003 | E99 | 16,42 |
| 5137002300 | GCAM 125 RAL 9003 | E99 | 19,53 |
| 5137002400 | GCAM 160 RAL 9003 | E99 | 25,38 |
| 5137002500 | GCAM 200 RAL 9003 | E99 | 36,63 |
| 5137002600 | GCAM 250 RAL 9003 | E99 | 56,63 |

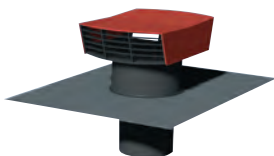
Sombreros de tejado



CT (metálico)

Sombreros de tejado metálicos diseñados para la toma o descarga de aire a través de tejados. Para utilizar únicamente en instalaciones de funcionamiento permanente. Se adaptan a todos los tipos de cubierta. Garantizan la estanqueidad gracias a una chapa de plomo flexible.

| Código | Modelo | Grupo producto | Precio €/u. |
|----------------------------------|----------------|----------------|-------------|
| Sombreros de tejado metálicos CT | | | |
| 5209168500 | CT-125 TEJA | E99 | 108,92 |
| 5209168600 | CT-150 TEJA | E99 | 117,81 |
| 5209168700 | CT-160 TEJA | E99 | 121,01 |
| 5209168800 | CT-200 TEJA | E99 | 235,01 |
| 5209168900 | CT-250 TEJA | E99 | 248,05 |
| 5209169000 | CT-315 TEJA | E99 | 284,02 |
| 5209169100 | CT-355 TEJA | E99 | 489,40 |
| 5209169200 | CT-400 TEJA | E99 | 530,18 |
| 5209169300 | CT-450 TEJA | E99 | 606,43 |
| 5209169400 | CT-500 TEJA | E99 | 876,50 |
| 5209169500 | CT-630 TEJA | E99 | 1.016,42 |
| 5209169600 | CT-125 PIZARRA | E99 | 108,92 |
| 5209169700 | CT-150 PIZARRA | E99 | 117,81 |
| 5209169800 | CT-160 PIZARRA | E99 | 121,01 |
| 5209169900 | CT-200 PIZARRA | E99 | 235,01 |
| 5209170000 | CT-250 PIZARRA | E99 | 248,05 |
| 5209170100 | CT-315 PIZARRA | E99 | 284,02 |
| 5209170200 | CT-355 PIZARRA | E99 | 489,40 |
| 5209170300 | CT-400 PIZARRA | E99 | 530,18 |
| 5209170400 | CT-450 PIZARRA | E99 | 606,43 |
| 5209170500 | CT-500 PIZARRA | E99 | 876,50 |
| 5209170600 | CT-630 PIZARRA | E99 | 1.016,42 |



CT-P (plástico)

Sombreros de tejado plásticos diseñados para la toma o descarga de aire a través de tejados. Para utilizar únicamente en instalaciones de funcionamiento permanente. Se adaptan a todos los tipos de cubierta. Garantizan la estanqueidad gracias a una chapa aislante de plomo.

| Código | Modelo | Grupo producto | Precio €/u. |
|------------------------------------|------------------|----------------|-------------|
| Sombreros de tejado plásticos CT-P | | | |
| 5209170700 | CT-125 P TEJA | E99 | 85,99 |
| 5209170800 | CT-150 P TEJA | E99 | 85,99 |
| 5209170900 | CT-160 P TEJA | E99 | 89,81 |
| 5209171000 | CT-125 P PIZARRA | E99 | 85,99 |
| 5209171100 | CT-150 P PIZARRA | E99 | 86,61 |
| 5209171200 | CT-160 P PIZARRA | E99 | 89,81 |



BROCHAL

Conector que permiten la sujeción de un conducto antes de fijarlo al sombrero de tejado.

| Código | Modelo | Grupo producto | Precio €/u. |
|------------------------------|-------------|----------------|-------------|
| Conectores de tejado BROCHAL | | | |
| 5209180900 | BROCHAL-125 | E99 | 23,13 |
| 5209181000 | BROCHAL-150 | E99 | 24,44 |





390 TD-SILENT



394 TD-SILENT ECOWATT



396 TD-SILENT ECOWATT CAV

NOVEDAD



397 TD-EVO VAR



398 TD-EVO PF ECOWATT



399 TD-MIXVENT



402 Kits TD-MIXVENT



278 TD-ATEX



402 Accesorios TD



404 SILENTUB



404 TDM

Todos los motores incorporados en nuestros productos cumplen con el Reglamento CE nº 640/2009.



Series que cumplen con la Directiva ErP.



Series energéticamente eficientes.



Series con certificación ATEX para atmósferas explosivas.



Serie TD-SILENT
MODELOS 160 A 1000

Ventiladores helicocentrífugos in-line de bajo perfil, extremadamente silenciosos, certificados (modelos 350, 500, 800 y 1000) por la Noise Abatement Society (Asociación para la reducción del ruido), fabricados en material plástico, con elementos acústicos (estructura interna perforada que direcciona las ondas sonoras, y aislamiento interior fonoabsorbente que amortigua el ruido radiado) (1), cuerpo-motor desmontable sin necesidad de tocar los conductos, juntas de goma en impulsión y descarga para absorber las vibraciones, caja de bornes externa orientable 360°, IP44, motor 230V-50Hz, de 2 ó 3 velocidades, según modelo, regulables por variación de tensión, Clase B, rodamientos a bolas de engrase permanente, condensador (2) y protector térmico.

(1) Excepto TD-160/100N SILENT, que incorpora sistema de motor flotante, montado sobre silent-blocks elásticos, patentado por S&P.

(2) Excepto modelo TD-160/100N SILENT.

Otros datos

Especialmente indicados en aquellos lugares donde trabajan personas y el bajo nivel sonoro se convierte en un elemento esencial para el confort.



(Modelos 350, 500, 800 y 1000)

ELEMENTOS ACÚSTICOS
Modelos 250 a 1000



① Estructura interna perforada que direcciona las ondas sonoras.

② Aislamiento interior fonoabsorbente que amortigua el ruido radiado.

ELEMENTOS ACÚSTICOS
Modelo 160



Silent-blocks elásticos

El modelo TD-160/100N SILENT incorpora sistema de motor flotante, montado sobre silent-blocks elásticos, patentado por S&P



Serie TD-SILENT
MODELOS 1300 Y 2000

Ventiladores helicocentrífugos in-line de bajo perfil, extremadamente silenciosos, certificados (modelo 2000) por la Noise Abatement Society (Asociación para la reducción del ruido), fabricados en chapa de acero protegida por pintura epoxi poliéster, con elementos acústicos (aislamiento interior fonoabsorbente (M0) de fibra de vidrio, carcasa exterior tipo sandwich y embocadura aerodinámica), cuerpo-motor desmontable sin necesidad de tocar los conductos, IP44, caja de bornes externa IP55, motor 230V-50/60Hz, de 3 velocidades, regulables por variación de tensión, Clase F, con rotor exterior de inyección de aluminio, rodamientos a bolas de engrase permanente, condensador y protector térmico incorporado.

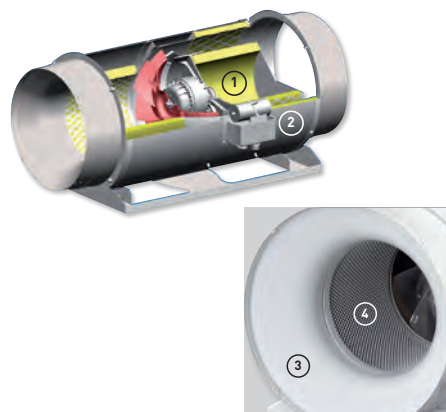
Otros datos

Especialmente indicados en aquellos lugares donde trabajan personas y el bajo nivel sonoro se convierte en un elemento esencial para el confort.



(Modelos 350, 500, 800 y 1000)

ELEMENTOS ACÚSTICOS
Modelos 1300 y 2000



① Aislamiento interior fonoabsorbente (A2-s1, d0) de fibra de vidrio.

② Carcasa exterior tipo sandwich.

③ Embocadura de aspiración aerodinámica.

④ Malla protectora del aislamiento fonoabsorbente.

| Código | TD-SILENT | Velocidad (r.p.m.) | Potencia absorbida máxima (W) | Intensidad absorbida máxima (A) | Caudal en descarga libre (m³/h) | Nivel de presión sonora* (dB(A)) | Temperatura de trabajo (°C) | Peso (kg) | Ø Conducto (mm) | Interruptor de 3 velocidades opcional | Regulador de tensión opcional | Uds. por caja | Grupo conducto | Precio €/u. |
|------------|--------------------------|--------------------|-------------------------------|---------------------------------|---------------------------------|----------------------------------|-----------------------------|-----------|-----------------|---------------------------------------|-------------------------------|---------------|----------------|-------------|
| 5211318000 | TD-160/100 N SILENT | 2400 | 29 | 0,17 | 180 | 24 | -20/+40 | 1,4 | 100 | COM-2 REGUL-2 | RMB-1,5 REB-1 | 3 | E22 | 136,59 |
| | | 2200 | 18 | 0,11 | 150 | 22 | | | | | | | | |
| 5211360600 | TD-250/100 SILENT | 2210 | 27 | 0,12 | 250 | 25 | -20/+40 | 5,4 | 100 | COM-2 REGUL-2 | RMB-1,5 REB-1 | 1 | E22 | 195,03 |
| | | 1680 | 21 | 0,1 | 200 | 20 | | | | | | | | |
| 5211360400 | TD-350/125 SILENT | 2100 | 27 | 0,12 | 330 | 23 | -20/+40 | 5 | 125 | COM-2 REGUL-2 | RMB-1,5 REB-1 | 1 | E22 | 239,93 |
| | | 1650 | 21 | 0,1 | 260 | 18 | | | | | | | | |
| 5211302100 | TD-500/150-160 SILENT 3V | 2480 | 59 | 0,26 | 550 | 27 | -20/+60 | 6 | 150/160 | COM-3 INTER 4P | RMB-1,5 REB-1 | 1 | E22 | 291,83 |
| | | 2060 | 50 | 0,22 | 450 | 22 | | | | | | | | |
| | | 1610 | 45 | 0,2 | 350 | 17 | | | | | | | | |
| 5211304400 | TD-800/200 SILENT 3V | 2170 | 102 | 0,5 | 910 | 28 | -20/+60 | 8,7 | 200 | COM-3 INTER 4P | RMB-1,5 REB-1 | 1 | E22 | 391,97 |
| | | 1870 | 92 | 0,47 | 780 | 24 | | | | | | | | |
| | | 1660 | 90 | 0,46 | 690 | 22 | | | | | | | | |
| 5211305300 | TD-1000/200 SILENT 3V | 2450 | 130 | 0,55 | 1.040 | 29 | -20/+60 | 8,7 | 200 | COM-3 INTER 4P | RMB-1,5 REB-1 | 1 | E22 | 537,98 |
| | | 2210 | 127 | 0,55 | 910 | 27 | | | | | | | | |
| | | 1920 | 122 | 0,53 | 790 | 24 | | | | | | | | |
| 5212317400 | TD-1300/250 SILENT 3V | 2530 | 204 | 0,85 | 1.320 | 36 | -20/+60 | 20 | 250 | COM-3 INTER 4P | RMB-1,5 REB-1 | 1 | E22 | 625,13 |
| | | 2230 | 163 | 0,68 | 1.160 | 33 | | | | | | | | |
| | | 2030 | 144 | 0,6 | 1.040 | 31 | | | | | | | | |
| 5212316700 | TD-2000/315 SILENT 3V | 2670 | 293 | 1,25 | 1.770 | 39 | -40/+60 | 25 | 315 | COM-3 INTER 4P | RMB-1,5 REB-2,5 | 1 | E22 | 716,09 |
| | | 2490 | 232 | 0,97 | 1.610 | 38 | | | | | | | | |
| | | 2240 | 190 | 0,78 | 1.480 | 36 | | | | | | | | |

* Nivel de presión sonora, radiado a 3 metros en campo libre, con tubos rígidos en aspiración y descarga.



Serie TD-SILENT-T (Serie TD-SILENT CON TEMPORIZADOR)

Incorporan temporizador regulable entre 1 y 30 minutos.
Disponen de motor de 1 ó 3 velocidades, según modelo, no regulable.
Los modelos de 3 velocidades son temporizables, únicamente, a velocidad rápida.

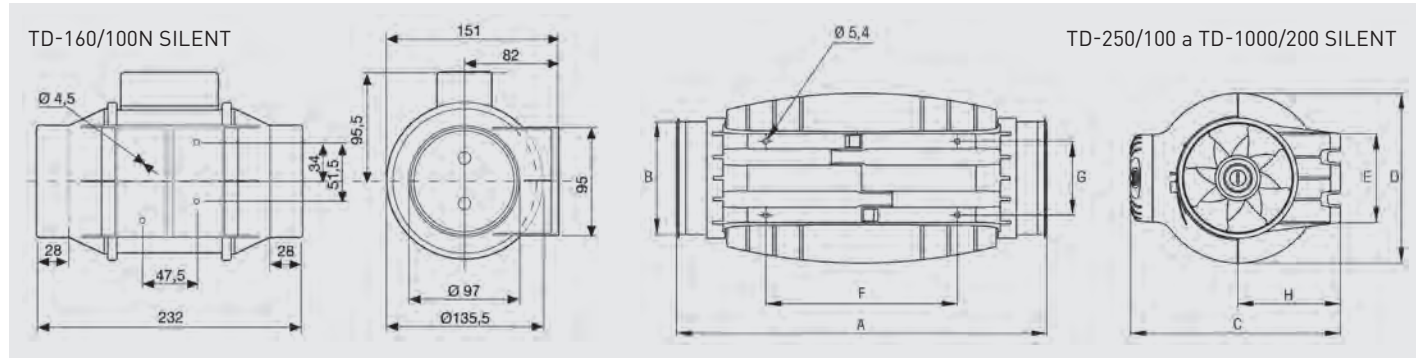


(Modelos 350, 500, 800 y 1000)

| Código | TD-SILENT T | Velocidad (r.p.m.) | Potencia absorbida máxima (W) | Intensidad absorbida máxima (A) | Caudal en descarga libre (m³/h) | Nivel de presión sonora* (dB(A)) | Temperatura de trabajo (°C) | Peso (kg) | Ø Conducto (mm) | Uds. por caja | Grupo conducto | Precio €/u. |
|------------|----------------------------|--------------------|-------------------------------|---------------------------------|---------------------------------|----------------------------------|-----------------------------|-----------|-----------------|---------------|----------------|-------------|
| 5211322200 | TD-160/100 NT SILENT | 2400 | 29 | 0,17 | 180 | 24 | -20/+40 | 1,4 | 100 | 3 | E22 | 162,19 |
| 5211364500 | TD-250/100 SILENT T | 2140 | 28 | 0,12 | 250 | 25 | -20/+40 | 5,4 | 100 | 1 | E22 | 224,28 |
| 5211364600 | TD-350/125 SILENT T | 2050 | 26 | 0,11 | 330 | 23 | -20/+40 | 5 | 125 | 1 | E22 | 268,73 |
| | | 2590 | 53 | 0,21 | 560 | 27 | | | | | | |
| 5211366400 | TD-500/150-160 SILENT T 3V | 2150 | 44 | 0,19 | 470 | 22 | -20/+60 | 6 | 150 | 1 | E22 | 321,02 |
| | | 1820 | 41 | 0,18 | 390 | 17 | | | | | | |
| | | 2170 | 102 | 0,5 | 910 | 28 | | | | | | |
| 5211366500 | TD-800/200 SILENT T 3V | 1870 | 92 | 0,47 | 780 | 24 | -20/+60 | 8,7 | 200 | 1 | E22 | 431,16 |
| | | 1660 | 90 | 0,46 | 690 | 22 | | | | | | |
| | | 2450 | 130 | 0,55 | 1.040 | 29 | | | | | | |
| 5211366600 | TD-1000/200 SILENT T 3V | 2210 | 127 | 0,55 | 910 | 27 | -20/+60 | 8,7 | 200 | 1 | E22 | 591,75 |
| | | 1920 | 122 | 0,53 | 790 | 24 | | | | | | |

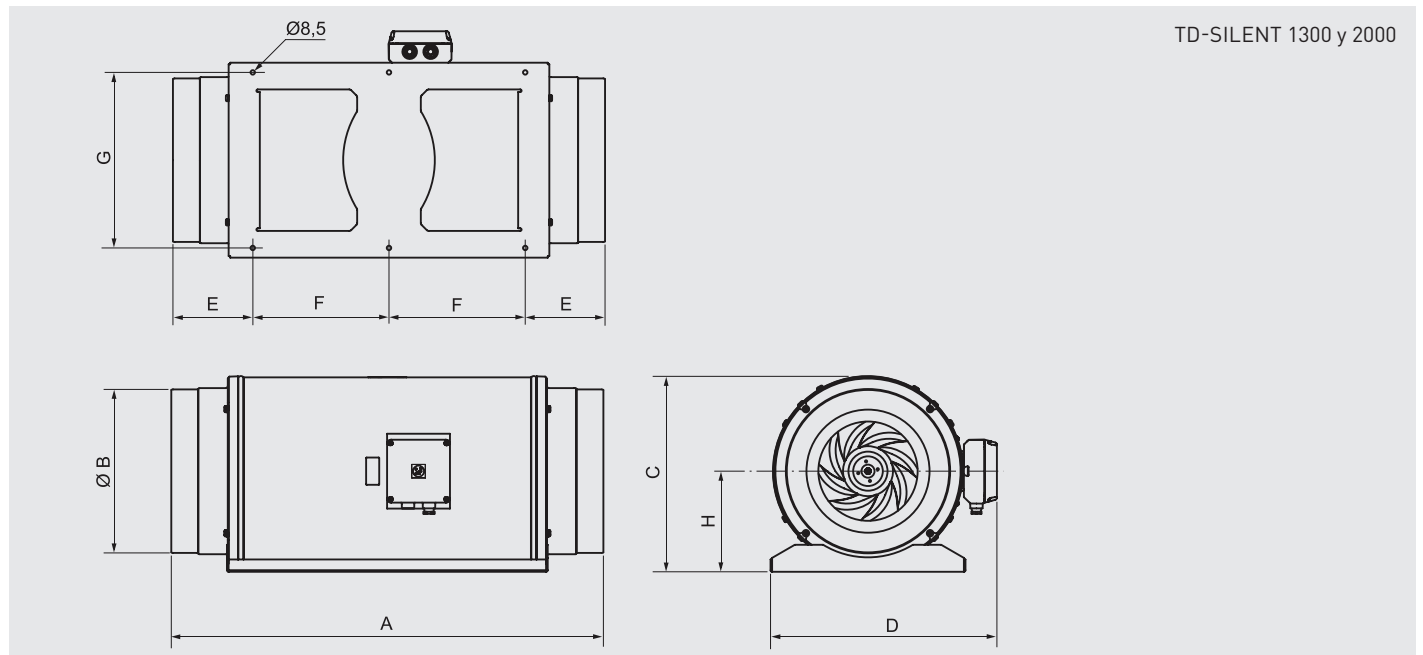
* Nivel de presión sonora, radiado a 3 metros en campo libre, con tubos rígidos en aspiración y descarga.

DIMENSIONES (mm)



| Tipo | A | Ø B | C | Ø D | E | F | G | H |
|------------------------|-----|-----|-----|-----|-----|-----|-----|-----|
| TD-250/100 SILENT | 575 | 97 | 252 | 204 | 100 | 250 | 83 | 121 |
| TD-350/125 SILENT | 462 | 123 | 252 | 204 | 100 | 250 | 83 | 121 |
| TD-500/150-160 SILENT* | 484 | 147 | 274 | 221 | 116 | 250 | 96 | 134 |
| TD-800/200 SILENT | 568 | 198 | 327 | 264 | 145 | 340 | 129 | 164 |
| TD-1000/200 SILENT | 568 | 198 | 327 | 264 | 145 | 340 | 129 | 164 |

* Se suministra una junta de goma adicional para instalaciones en conductos de 160 mm.



| TD-SILENT 1300 y 2000 | A | B | C | D | E | F | G | H |
|-----------------------|-----|-----|-----|-----|-----|-----|-----|-----|
| TD-1300/250 SILENT | 680 | 248 | 331 | 387 | 140 | 200 | 280 | 171 |
| TD-2000/315 SILENT | 825 | 312 | 373 | 432 | 152 | 260 | 335 | 192 |

ACCESORIOS ESPECÍFICOS PARA LA SERIE TD-SILENT



Compuertas Antirretorno MCA-S
Compuertas antirretorno para instalar en la descarga de los ventiladores. Impiden la entrada de olores, corrientes de aire y evitan fugas de calefacción cuando el extractor no funciona.

| Código | Modelo | Tipo de TD-SILENT (*) | Ø Conducto (mm) | Unidades por caja | Grupo producto | Precio €/u. |
|------------|----------------|-----------------------|-----------------|-------------------|----------------|-------------|
| 5418062100 | MCA-250 S | 250/100 | 100 | 1 | E22 | 47,29 |
| 5418062200 | MCA-350 S | 350/125 | 125 | 1 | E22 | 48,14 |
| 5418062300 | MCA-500/150 S | 500/150 | 150 | 1 | E22 | 53,09 |
| 5418062400 | MCA-500/160 S | 500/160 | 160 | 1 | E22 | 53,09 |
| 5418062500 | MCA-800-1000 S | 800/200 - 1000/200 | 200 | 1 | E22 | 58,14 |

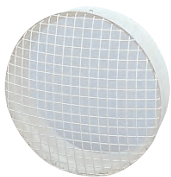
(*) Los modelos TD-1300/250 SILENT y TD-200/315 SILENT utilizan compuertas MCA (ver accesorios de la Serie TD)



Acoplamiento Rectangulares MAR-S
Acoplamiento para conductos rectangulares que permiten conectar los aparatos a un conducto rectangular.

| Código | Modelo | Tipo de TD-SILENT (*) | Ø Conducto (mm) | Unidades por caja | Grupo producto | Precio €/u. |
|------------|----------------|-----------------------|-----------------|-------------------|----------------|-------------|
| 5418061300 | MAR-250-350 S | 250/100 - 350 | 100 | 1 | E22 | 48,14 |
| 5418061400 | MAR-500 S | 500/150 | 150-160 | 1 | E22 | 58,35 |
| 5418061500 | MAR-800-1000 S | 800/200-1000/200 | 200 | 1 | E22 | 67,64 |

(*) Los modelos TD-1300/250 SILENT y TD-200/315 SILENT utilizan acoplamiento rectangulares MAR (ver accesorios de la Serie TD)



Rejillas MRJ-S
Rejillas para colocar tanto en el lado de aspiración como en la descarga de la instalación. Evitan la entrada de cuerpos extraños que pudieran perjudicar al ventilador.

| Código | Modelo | Tipo de TD-SILENT (*) | Ø Conducto (mm) | Unidades por caja | Grupo producto | Precio €/u. |
|------------|-------------------|-----------------------|-----------------|-------------------|----------------|-------------|
| 5418061100 | MRJ-250-350 S | 250/100 - 350/125 | 100-125 | 1 | E22 | 30,08 |
| 5418062600 | MRJ-500/150-160 S | 500/150 - 500/160 | 150-160 | 1 | E22 | 30,84 |
| 5418061200 | MRJ-800-1000 S | 800/200 - 1000/200 | 200 | 1 | E22 | 33,47 |

(*) Los modelos TD-1300/250 SILENT y TD-200/315 SILENT utilizan rejillas MRJ (ver accesorios de la Serie TD)



Bridas MBR-S
Permiten acoplar dos TD MIXVENT en serie.

| Código | Modelo | Ø Conducto (mm) | Unidades por caja | Grupo producto | Precio €/u. |
|------------|----------------|-----------------|-------------------|----------------|-------------|
| 5418062700 | MBR-250-350 S | 125 | 1 | E22 | 19,06 |
| 5418062800 | MBR-500 S | 150 | 1 | E22 | 19,52 |
| 5418062900 | MBR-800-1000 S | 200 | 1 | E22 | 24,63 |

(*) Los modelos TD-1300/250 SILENT y TD-200/315 SILENT utilizan bridas MBR (ver accesorios de la Serie TD)



MPC-S
Enderezadores de caudal, diseñados para medir correctamente las presiones en la aspiración de los aparatos de la Serie TD-SILENT, sin que queden afectadas por turbulencias en el conducto.

| Código | Modelo | Tipo de TD-SILENT (*) | Unidades por caja | Grupo producto | Precio €/u. |
|------------|----------------|-----------------------|-------------------|----------------|-------------|
| 5418061600 | MPC-250 S | 250 | 1 | E22 | 63,85 |
| 5418061700 | MPC-350 S | 350/125 | 1 | E22 | 70,23 |
| 5418061800 | MPC-500/150 S | 500/150 - 500/160 | 1 | E22 | 76,76 |
| 5418061900 | MPC-500/160 S | 500/160 | 1 | E22 | 76,76 |
| 5418062000 | MPC-800-1000 S | 800/200 - 1000/200 | 1 | E22 | 84,26 |

(*) Los modelos TD-1300/250 SILENT y TD-200/315 SILENT utilizan enderezadores MPC (ver accesorios de la Serie TD)



**Serie TD-SILENT ECOWATT
MODELOS 350 A 1000**

Ventiladores helicocentrífugos de bajo perfil, extremadamente silenciosos, fabricados en material plástico, con elementos acústicos (estructura interna perforada que direcciona las ondas sonoras, y aislamiento interior fonoabsorbente que amortigua el ruido radiado), cuerpo-motor desmontable sin necesidad de tocar los conductos, juntas de goma en impulsión y descarga para reforzar la estanqueidad. Motor brushless de corriente continua, de alto rendimiento y bajo consumo, alimentación 230V±15%/50-60Hz, IP44, rodamientos a bolas y caja de bornes externa. Velocidad regulable 100% mediante potenciómetro ubicado en la caja de bornes o mediante control externo tipo REB-ECOWATT. Entrada analógica para controlar el ventilador con una señal externa de 0-10V. Capacitados para trabajar de -20 a +40°C.



**ELEMENTOS ACÚSTICOS
Modelos 350 a 1000**



- ① Estructura interna perforada que direcciona las ondas sonoras.
- ② Aislamiento interior fonoabsorbente que amortigua el ruido radiado.

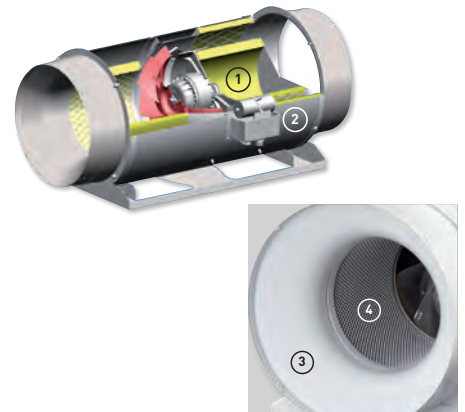


**Serie TD-SILENT ECOWATT
MODELOS 1300 Y 2000**

Ventiladores helicocentrífugos in-line de bajo perfil, extremadamente silenciosos, fabricados en chapa de acero protegida por pintura epoxi poliéster, con elementos acústicos (aislamiento interior fonoabsorbente (M0) de fibra de vidrio, carcasa exterior tipo sandwich y embocadura aerodinámica), cuerpo-motor desmontable sin necesidad de tocar los conductos. Motor brushless de corriente continua, de alto rendimiento y bajo consumo, alimentación 230V±15%/50-60Hz, IP44, rodamientos a bolas y caja de bornes externa. Velocidad regulable 100% mediante potenciómetro ubicado en la caja de bornes o mediante control externo tipo REB-ECOWATT. Entrada analógica para controlar el ventilador con una señal externa de 0-10V. Capacitados para trabajar de -20 a +40°C.



**ELEMENTOS ACÚSTICOS
Modelos 1300 y 2000**



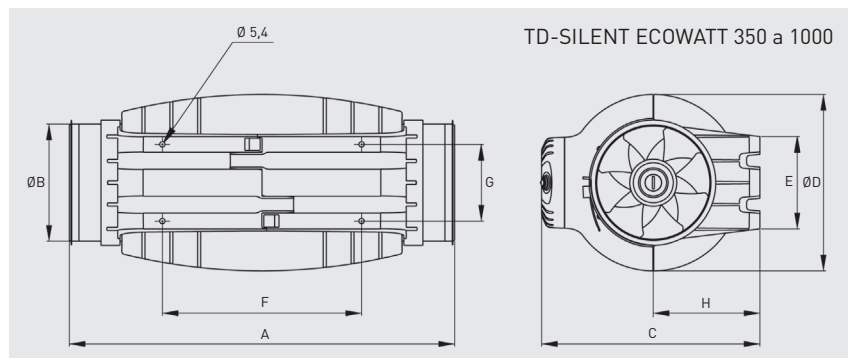
- ① Aislamiento interior fonoabsorbente (A2-s1, d0) de fibra de vidrio.
- ② Carcasa exterior tipo sandwich.
- ③ Embocadura de aspiración aerodinámica.
- ④ Malla protectora del aislamiento fonoabsorbente.

TD-SILENT ECOWATT

| Código | Modelo | Tensión de control (V) | Velocidad (r.p.m.) | Potencia máxima absorbida (W) | Intensidad máxima absorbida (A) | Caudal en descarga libre (m³/h) | Nivel de presión sonora* LpA a 3 m (dB(A)) | | | Peso (kg) | Uds. por caja | Grupo producto | Precio €/u. |
|------------|-------------------------------|------------------------|--------------------|-------------------------------|---------------------------------|---------------------------------|--|---------|----------|-----------|---------------|----------------|-------------|
| | | | | | | | Aspiración | Radiado | Descarga | | | | |
| 5211006200 | TD-350/100-125 SILENT ECOWATT | 10 | 2235 | 19 | 0,14 | 350 | 35 | 31 | 33 | 5,0 | 1 | E22 | 426,27 |
| | | 8 | 2000 | 15 | 0,11 | 305 | 32 | 26 | 31 | | | | |
| | | 6 | 1580 | 10 | 0,07 | 240 | 27 | 24 | 26 | | | | |
| | | 4 | 1170 | 7 | 0,06 | 180 | 21 | 16 | 19 | | | | |
| 5211006300 | TD-500/150-160 SILENT ECOWATT | 10 | 2510 | 39 | 0,25 | 545 | 44 | 33 | 43 | 6,0 | 1 | E22 | 479,29 |
| | | 8 | 2300 | 32 | 0,23 | 500 | 41 | 30 | 41 | | | | |
| | | 6 | 1800 | 18 | 0,13 | 390 | 36 | 26 | 35 | | | | |
| 5211006400 | TD-1000/200 SILENT ECOWATT | 10 | 2470 | 99 | 0,66 | 1.000 | 46 | 34 | 53 | 8,7 | 1 | E22 | 646,45 |
| | | 8 | 2120 | 64 | 0,46 | 860 | 42 | 31 | 48 | | | | |
| | | 6 | 1660 | 34 | 0,25 | 675 | 37 | 30 | 43 | | | | |
| | | 4 | 1220 | 17 | 0,12 | 485 | 30 | 25 | 34 | | | | |
| 5211988100 | TD-1300/250 SILENT ECOWATT | 10 | 2460 | 143 | 0,60 | 1.240 | 46 | 34 | 53 | 9,5 | 1 | E22 | 960,76 |
| | | 8 | 2035 | 88 | 0,40 | 1.040 | 43 | 31 | 48 | | | | |
| | | 6 | 1645 | 54 | 0,30 | 810 | 38 | 30 | 43 | | | | |
| | | 4 | 1200 | 29 | 0,20 | 580 | 30 | 25 | 34 | | | | |
| 5211988200 | TD-2000/315 SILENT ECOWATT | 10 | 2520 | 247 | 1,00 | 1.660 | 52 | 41 | 57 | 14,0 | 1 | E22 | 1.095,38 |
| | | 8 | 2075 | 146 | 0,60 | 1.380 | 47 | 35 | 52 | | | | |
| | | 6 | 1690 | 85 | 0,40 | 1.120 | 45 | 31 | 49 | | | | |
| | | 4 | 1230 | 41 | 0,20 | 790 | 44 | 31 | 46 | | | | |

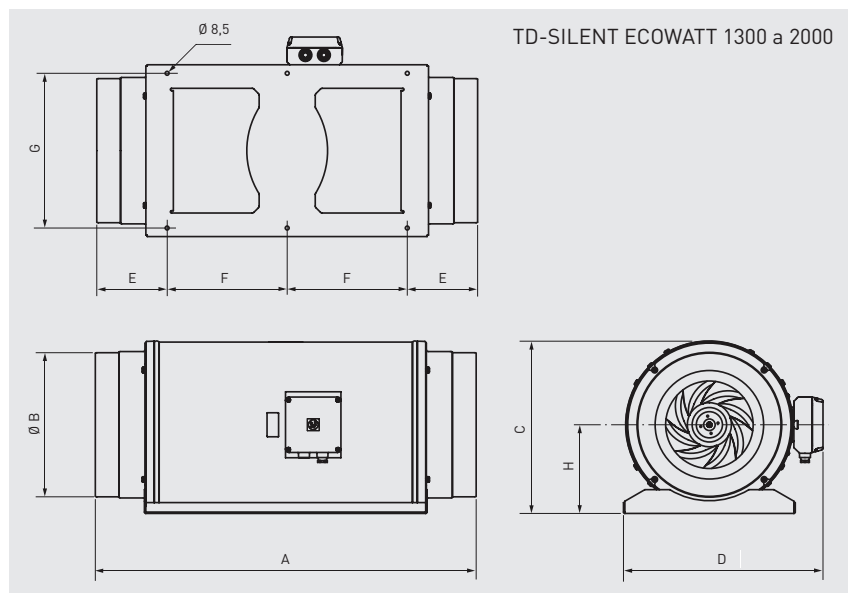
* Nivel de presión sonora, radiado a 3 metros en campo libre, en los puntos de trabajo 2, 5, 8 y 11 de la curva característica.

DIMENSIONES (mm)



| | A | ØB | C | ØD | E | F | G | H |
|-----------------|-----|-----|-----|-----|-----|-----|-----|-----|
| TD-350/100 | 575 | 97 | 252 | 204 | 100 | 250 | 83 | 121 |
| TD-350/125 | 462 | 123 | 252 | 204 | 100 | 250 | 83 | 121 |
| TD-500/150-160* | 484 | 147 | 274 | 221 | 116 | 250 | 96 | 134 |
| TD-1000/200 | 568 | 198 | 327 | 264 | 145 | 340 | 129 | 164 |

* Se suministra una junta de goma adicional para instalaciones en conductos de 160 mm.



| | A | B | C | D | E | F | G | H |
|-------------|-----|-----|-----|-----|-----|-----|-----|-----|
| TD-1300/250 | 680 | 248 | 331 | 387 | 140 | 200 | 280 | 171 |
| TD-2000/315 | 825 | 312 | 373 | 432 | 152 | 260 | 335 | 192 |



Serie TD-SILENT ECOWATT CAV

Ventiladores helicocentrífugos de bajo perfil, extremadamente silenciosos, fabricados en material plástico, con elementos acústicos (estructura interna perforada que direcciona las ondas sonoras, y aislamiento interior fonoabsorbente que amortigua el ruido radiado), cuerpo-motor desmontable sin necesidad de tocar los conductos, juntas de goma en impulsión y descarga para reforzar la estanqueidad. Motor brushless de corriente continua, de alto rendimiento y bajo consumo, alimentación 230V±15%/50-60Hz, IP44, rodamientos a bolas y caja de bornes externa.

Equipados con un sensor, patentado por S&P, que permite la creación de un sistema de caudal constante (CAV), tipo plug & play. Consigna de caudal ajustable en caja de bornes.

Entrada externa analógica 0-10V para ajustar la consigna de caudal constante entre mínimo y máximo.

Capacitados para trabajar de -20 a +40°C.



CAUDAL
CONSTANTE

Sistema Convencional CAV



TD-SILENT

TD-SILENT ECOWATT CAV



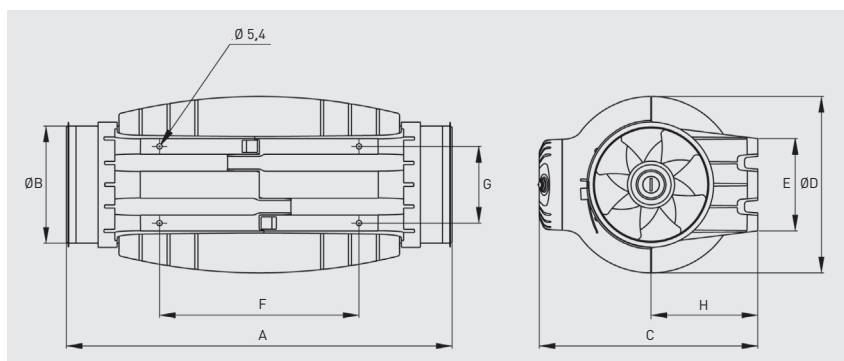
Instalación completa en un solo aparato

Permite mantener un caudal constante de aire, mediante un sensor, patentado por S&P, que controla la velocidad del ventilador, sin necesidad de accesorios adicionales.

| Código | Modelo | Tensión (V) | Potencia absorbida (W) | | Intensidad absorbida (A) | | Caudal (m³/h) | | Nivel de presión sonora* LpA a 3 m (dB(A)) | | | | | | Peso (kg) | Grupo producto | Precio €/u. |
|------------|-----------------------------------|-------------|------------------------|-----|--------------------------|------|---------------|-----|--|------|----------|------|---------|------|-----------|----------------|-------------|
| | | | | | | | | | Aspiración | | Descarga | | Radiado | | | | |
| | | | | | | | | | Mín. | Máx. | Mín. | Máx. | Mín. | Máx. | | | |
| 5211006500 | TD-500/150-160 SILENT ECOWATT CAV | 230 | 5 | 40 | 0,05 | 0,3 | 150 | 400 | 30 | 44 | 23 | 33 | 31 | 43 | 6 | E22 | 575,15 |
| 5211006600 | TD-1000/200 SILENT ECOWATT CAV | 230 | 10 | 100 | 0,1 | 0,65 | 200 | 800 | 30 | 46 | 25 | 34 | 34 | 53 | 8,7 | E22 | 775,73 |

* Nivel de presión sonora, radiado a 3 metros en campo libre.

DIMENSIONES (mm)



| | A | ØB | C | ØD | E | F | G | H |
|-----------------|-----|-----|-----|-----|-----|-----|-----|-----|
| TD-500/150-160* | 484 | 147 | 274 | 221 | 116 | 250 | 96 | 134 |
| TD-1000/200 | 568 | 198 | 327 | 264 | 145 | 340 | 129 | 164 |

* Se suministra una junta de goma adicional para instalaciones en conductos de 160 mm.



Serie TD-EVO VAR

Ventiladores helicocentrífugos in-line, de bajo perfil, para conductos circulares.
Cuerpo motor-ventilador desmontable, sin necesidad de manipular los conductos.
Carcasa compacta de bajo perfil fabricada en plástico reforzado.
Diseño de hélice optimizado, directrices y difusor de descarga, para aumentar el rendimiento y disminuir el nivel de ruido.
Construcción hermética de doble inyección entre el cuerpo y el soporte, para evitar fugas de aire.
Juntas de goma en las bridas, para mejorar la estanqueidad con los conductos.
Silent-block entre motor y soporte, para reducir las vibraciones y reducir el nivel de ruido de la instalación, incluso en caso de regulación de velocidad.

Motor

Motor AC de una velocidad, regulador de velocidad integrado en la caja de bornes, temporizador ajustable y entrada analógica 0-10V.

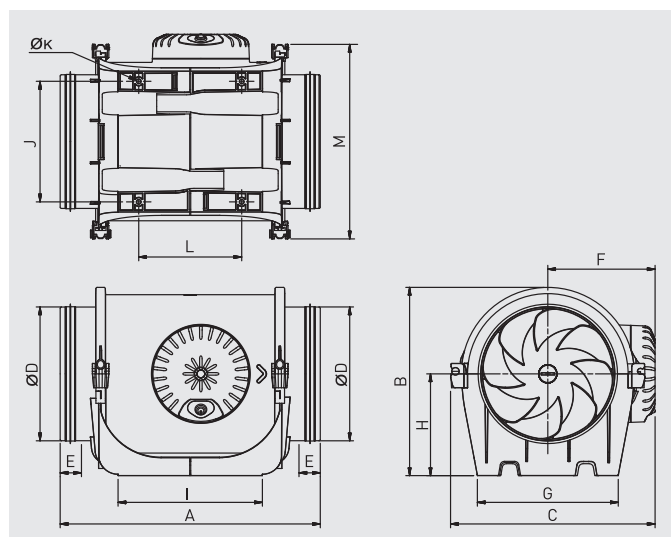


Es imprescindible comprobar que las características eléctricas (voltaje, intensidad, frecuencia, etc) del motor que aparecen en la placa del mismo son compatibles con las de la instalación.

| Código | Modelo | Velocidad máxima (r.p.m.) | Potencia absorbida máxima (W) | Intensidad absorbida máxima (A-230V) | Caudal en descarga libre (m³/h) | Nivel de presión sonora* (dB(A)) | | | Temperatura de trabajo (°C a 50Hz) | Peso (kg) | Grupo producto | Precio €/u. |
|------------|----------------|---------------------------|-------------------------------|--------------------------------------|---------------------------------|----------------------------------|---------|----------|------------------------------------|-----------|----------------|-------------|
| | | | | | | Aspiración | Radiado | Descarga | | | | |
| 5211007200 | TD EVO-100 VAR | 2450 | 16 | 0,1 | 210 | 32 | 19 | 31 | -20/+60 | 1,7 | E22 | 246,16 |
| 5211007300 | TD EVO-125 VAR | 2320 | 29 | 0,1 | 310 | 36 | 26 | 37 | -20/+60 | 1,8 | E22 | 287,73 |
| 5211007400 | TD EVO-150 VAR | 2610 | 45 | 0,2 | 560 | 44 | 32 | 45 | -20/+60 | 3 | E22 | 323,51 |
| 5211007500 | TD EVO-160 VAR | 2600 | 45 | 0,2 | 560 | 44 | 32 | 45 | -20/+60 | 3 | E22 | 323,51 |
| 5211007600 | TD EVO-200 VAR | 2700 | 107 | 0,5 | 900 | 47 | 33 | 47 | -20/+60 | 4,1 | E22 | 436,36 |
| 5211007700 | TD EVO-250 VAR | 2710 | 181 | 0,8 | 1.400 | 52 | 37 | 53 | -20/+60 | 6,2 | E22 | 540,43 |
| 5211007800 | TD EVO-315 VAR | 2640 | 273 | 1,1 | 1.840 | 56 | 40 | 55 | -20/+60 | 8,4 | E22 | 616,16 |

* Nivel de presión sonora, medido a 3 metros en campo libre, en el punto 2 de la curva de velocidad máxima.

DIMENSIONES (mm) Gamas TD-EVO VAR y TD-EVO PF ECOWATT



| Modelo | A | B | C | ØD | E | F |
|------------|-----|-----|-----|-------|------|-----|
| TD EVO-100 | 302 | 181 | 201 | 97 | 28,5 | 107 |
| TD EVO-125 | 302 | 191 | 221 | 122,5 | 28,5 | 117 |
| TD EVO-150 | 326 | 221 | 240 | 147 | 25 | 126 |
| TD EVO-160 | 306 | 221 | 240 | 157 | 25 | 126 |
| TD EVO-200 | 346 | 238 | 263 | 197 | 28 | 137 |
| TD EVO-250 | 390 | 289 | 306 | 247 | 40 | 159 |
| TD EVO-315 | 485 | 353 | 371 | 312 | 40 | 192 |

| Modelo | G | H | I | J | ØK | L | M |
|------------|-----|-----|-----|-------|-----|-----|-----|
| TD EVO-100 | 133 | 100 | 168 | 100 | 4,5 | 89 | 189 |
| TD EVO-125 | 132 | 100 | 172 | 104,5 | 4,5 | 91 | 209 |
| TD EVO-150 | 165 | 120 | 170 | 142 | 5,5 | 121 | 229 |
| TD EVO-160 | 165 | 120 | 170 | 142 | 5,5 | 121 | 229 |
| TD EVO-200 | 190 | 124 | 211 | 161 | 5,5 | 161 | 253 |
| TD EVO-250 | 230 | 155 | 231 | 194 | 7 | 182 | 295 |
| TD EVO-315 | 278 | 188 | 317 | 242 | 7 | 206 | 358 |



NOVEDAD

Serie TD-EVO PF ECOWATT

Ventiladores helicocentrífugos in-line, de bajo perfil, para conductos circulares y fabricados con un 85% de plásticos reciclados. La hélice y silent-block se mantienen en plásticos vírgenes reforzados para garantizar prestaciones.

Cuerpo motor-ventilador desmontable, sin necesidad de manipular los conductos.

Diseño de hélice optimizado, directrices y difusor de descarga, para aumentar el rendimiento y disminuir el nivel de ruido.

Construcción hermética de doble inyección entre el cuerpo y el soporte, para evitar fugas de aire.

Juntas de goma en las bridas, para mejorar la estanqueidad con los conductos.

Silent-block entre motor y soporte, para reducir las vibraciones y reducir el nivel de ruido de la instalación, incluso en caso de regulación de velocidad.

Motor

Motor brushless EC:

- 230V±10% 50/60Hz, IP44.
- Velocidad regulable 100% mediante potenciómetro ubicado en la caja de bornes o mediante control externo tipo REB-ECOWATT. Opción control remoto mediante señal externa 0-10V.
- Rodamientos a bolas y protector térmico de rearme manual.
- Temperatura de trabajo: -20/40°C.



Es imprescindible comprobar que las características eléctricas (voltaje, intensidad, frecuencia, etc) del motor que aparecen en la placa del mismo son compatibles con las de la instalación.

| Código | Modelo | Tensión de control | Velocidad (r.p.m.) | Potencia absorbida máxima (W) | Intensidad absorbida máxima (A) | Caudal máximo (m³/h) | Nivel de presión sonora* (dB(A)) | | | Peso (kg) | Grupo producto | Precio €/u. |
|------------|-----------------------|--------------------|--------------------|-------------------------------|---------------------------------|----------------------|----------------------------------|---------|----------|-----------|----------------|-------------|
| | | | | | | | Aspiración | Radiado | Descarga | | | |
| 5211009300 | TD EVO-100 PF ECOWATT | 10 | 2250 | 9 | 0,1 | 190 | 32 | 18 | 31 | 1,65 | E22 | 328,22 |
| | | 8 | 1940 | 7 | 0,1 | 170 | 28 | 14 | 28 | | | |
| | | 6 | 1530 | 5 | 0,1 | 130 | 23 | 11 | 23 | | | |
| | | 4 | 1120 | 3 | 0,1 | 90 | 16 | 10 | 16 | | | |
| 5211009400 | TD EVO-125 PF ECOWATT | 10 | 2250 | 14 | 0,1 | 310 | 35 | 20 | 37 | 1,75 | E22 | 383,63 |
| | | 8 | 1930 | 10 | 0,1 | 260 | 32 | 16 | 34 | | | |
| | | 6 | 1520 | 6 | 0,1 | 210 | 27 | 11 | 28 | | | |
| | | 4 | 1100 | 4 | 0,1 | 150 | 20 | 10 | 21 | | | |
| 5211010200 | TD EVO-150 PF ECOWATT | 10 | 2650 | 38 | 0,3 | 560 | 44 | 30 | 45 | 2,05 | E22 | 431,34 |
| | | 8 | 2240 | 24 | 0,20 | 480 | 40 | 26 | 41 | | | |
| | | 6 | 1740 | 12 | 0,1 | 360 | 35 | 21 | 36 | | | |
| | | 4 | 1250 | 6 | 0,1 | 260 | 27 | 14 | 28 | | | |
| 5211011000 | TD EVO-160 PF ECOWATT | 10 | 2650 | 37 | 0,3 | 580 | 44 | 29 | 46 | 2,05 | E22 | 431,34 |
| | | 8 | 2250 | 24 | 0,20 | 490 | 41 | 25 | 42 | | | |
| | | 6 | 1760 | 13 | 0,1 | 370 | 35 | 20 | 37 | | | |
| | | 4 | 1250 | 6 | 0,1 | 260 | 28 | 12 | 29 | | | |
| 5211011200 | TD EVO-200 PF ECOWATT | 10 | 2630 | 75 | 0,6 | 850 | 46 | 30 | 48 | 3,4 | E22 | 581,80 |
| | | 8 | 2250 | 50 | 0,4 | 740 | 43 | 27 | 45 | | | |
| | | 6 | 1750 | 26 | 0,2 | 570 | 37 | 21 | 39 | | | |
| | | 4 | 1260 | 12 | 0,1 | 400 | 30 | 14 | 32 | | | |
| 5211011300 | TD EVO-250 PF ECOWATT | 10 | 2640 | 141 | 0,9 | 1.380 | 49 | 36 | 50 | 4,95 | E22 | 720,57 |
| | | 8 | 2270 | 94 | 0,60 | 1.180 | 46 | 32 | 47 | | | |
| | | 6 | 1770 | 49 | 0,4 | 910 | 40 | 27 | 41 | | | |
| | | 4 | 1280 | 22 | 0,2 | 650 | 33 | 20 | 34 | | | |
| 5211011400 | TD EVO-315 PF ECOWATT | 10 | 2640 | 225 | 1,5 | 1.780 | 57 | 41 | 55 | 7,5 | E22 | 821,54 |
| | | 8 | 2280 | 145 | 1,00 | 1.520 | 54 | 38 | 52 | | | |
| | | 6 | 1770 | 73 | 0,5 | 1.170 | 48 | 32 | 46 | | | |
| | | 4 | 1280 | 33 | 0,3 | 840 | 41 | 25 | 39 | | | |

* Nivel de presión sonora, medido a 3 metros en campo libre, en los puntos de servicio 2, 5, 8 y 11 de las curvas características.



Serie TD-MIXVENT

Ventiladores helicocentrífugos de bajo perfil.
El cuerpo-motor es desmontable sin necesidad de tocar los conductos.
Fabricados en material plástico (modelos 160 a 2000) o en chapa de acero galvanizada protegida con pintura epoxi-poliéster anticorrosiva (modelos 4000 y 6000).

Motores

Modelos 160 a 2000:
IP44, Clase B, con rodamientos a bolas de engrase permanente y protector térmico.
Tensión de alimentación:
Monofásicos 230V-50Hz (modelos 160 a 350)
Monofásicos 230V-50/60Hz (modelos 500 a 2000)

Motores de 2 ó 3 velocidades según modelos, y también regulables por variación de tensión.
Modelos 4000 a 6000:
IP54, Clase F, con rodamientos a bolas de engrase permanente y protector térmico.
Tensión de alimentación:
Monofásicos 230V-50/60Hz
Trifásicos 400V-50/60Hz (modelo 4000) ó 400V-50Hz (modelo 6000)
Regulables por variación de tensión.

Otros datos

Los modelos trifásicos son regulables mediante convertidor de frecuencia.



Configuración constructiva modelos TD-4000 y TD-6000



Configuración constructiva modelos TD-1300 y TD-2000



Configuración constructiva modelos TD-160 a TD-800

Es imprescindible comprobar que las características eléctricas (voltaje, intensidad, frecuencia, etc) del motor que aparecen en la placa del mismo son compatibles con las de la instalación.

| Código | TD-MIXVENT | Velocidad (r.p.m.) | Potencia absorbida máxima (W) | Intensidad absorbida máxima (A) | Caudal en descarga libre (m³/h) | Nivel de presión sonora* (dB(A)) | Temperatura de trabajo (°C) | Peso (kg) | Ø Conducto (mm) | Interruptor de 3 velocidades opcional | Regulador de tensión opcional | Uds. por caja | Grupo producto | Precio €/u. |
|------------|---------------------|--------------------|-------------------------------|---------------------------------|---------------------------------|----------------------------------|-----------------------------|-----------|-----------------|---------------------------------------|-------------------------------|---------------|----------------|-------------|
| 5211318000 | TD-160/100 N SILENT | 2400 | 29 | 0,17 | 180 | 24 | -20/+40 | 1,4 | 100 | COM-2 REGUL-2 | RMB-1,5 REB-1 | 3 | E22 | 136,59 |
| | | 2200 | 18 | 0,11 | 150 | 22 | | | | | | | | |
| 5211320600 | TD-250/100 | 2140 | 28 | 0,12 | 250 | 34 | -20/+40 | 2 | 100 | COM-2 REGUL-2 | RMB-1,5 REB-1 | 3 | E22 | 167,09 |
| | | 1700 | 22 | 0,1 | 200 | 28 | | | | | | | | |
| 5211306500 | TD-350/125 | 2050 | 25 | 0,11 | 330 | 33 | -20/+40 | 2 | 125 | COM-2 REGUL-2 | RMB-1,5 REB-1 | 3 | E22 | 205,56 |
| | | 1590 | 20 | 0,09 | 250 | 28 | | | | | | | | |
| 5211301100 | TD-500/150 3V | 2590 | 53 | 0,21 | 560 | 35 | -20/+60 | 2,7 | 150 | COM-3 INTER 4P | RMB-1,5 REB-1 | 1 | E22 | 250,03 |
| | | 2150 | 44 | 0,19 | 470 | 31 | | | | | | | | |
| | | 1820 | 41 | 0,18 | 390 | 26 | | | | | | | | |
| 5211301300 | TD-500/160 3V | 2590 | 53 | 0,21 | 560 | 35 | -20/+60 | 2,7 | 160 | COM-3 INTER 4P | RMB-1,5 REB-1 | 1 | E22 | 250,03 |
| | | 2150 | 44 | 0,19 | 470 | 31 | | | | | | | | |
| | | 1820 | 41 | 0,18 | 390 | 26 | | | | | | | | |
| 5211304500 | TD-800/200N 3V | 2190 | 103 | 0,5 | 890 | 38 | -20/+60 | 4,9 | 200 | COM-3 INTER 4P | RMB-1,5 REB-1 | 1 | E22 | 335,80 |
| | | 1870 | 93 | 0,47 | 750 | 34 | | | | | | | | |
| | | 1660 | 88 | 0,45 | 660 | 31 | | | | | | | | |
| 5211304900 | TD-800/200 3V | 2480 | 132 | 0,55 | 1.040 | 40 | -20/+60 | 4,9 | 200 | COM-3 INTER 4P | RMB-1,5 REB-1 | 1 | E22 | 342,62 |
| | | 2290 | 133 | 0,56 | 940 | 37 | | | | | | | | |
| | | 2080 | 131 | 0,55 | 850 | 34 | | | | | | | | |
| 5211009000 | TD-1300/250N 3V | 2710 | 181 | 0,8 | 1.400 | 40 | -20/+60 | 6,2 | 250 | COM-3 INTER 4P | RMB-1,5 REB-1 | 1 | E22 | 480,76 |
| | | 2520 | 153 | 0,6 | 1.310 | 39 | | | | | | | | |
| | | 2290 | 132 | 0,5 | 1.180 | 37 | | | | | | | | |
| 5211009100 | TD-2000/315N 3V | 2640 | 273 | 1,1 | 1.840 | 39 | -20/+60 | 8,4 | 315 | COM-3 INTER 4P | RMB-1,5 REB-2,5 | 1 | E22 | 548,11 |
| | | 2500 | 231 | 0,9 | 1.730 | 38 | | | | | | | | |
| | | 2290 | 200 | 0,8 | 1.620 | 37 | | | | | | | | |
| 5211015200 | TD-4000/355 | 1360 | 407 | 1,69 | 3.750 | 41 | -40/+40 | 19 | 355 | - | RMB-3,5 REB-2,5 | 1 | E22 | 873,91 |
| 5211016000 | TD-6000/400 | 1400 | 580 | 2,42 | 5.100 | 43 | -40/+40 | 26 | 400 | - | RMB-3,5 REB-5 | 1 | E22 | 1.194,94 |
| TRIFASICOS | | | | | | | | | | | | | | |
| 5211999900 | TD-4000/355 TRIF | 1150 | 309 | 0,66 | 3.160 | 41 | -40/+70 | 19 | 355 | - | RMT-1,5 VFTM TRI 0,37 | 1 | E22 | 873,91 |
| 5211935000 | TD-6000/400 TRIF | 1400 | 691 | 1,49 | 5.330 | 44 | -40/+60 | 26 | 400 | - | RMT-2,5 VFTM TRI 0,55 | 1 | E22 | 1.194,94 |

* Nivel de presión sonora, radiado a 3 metros en campo libre, con tubos rígidos en aspiración y descarga.

CARACTERÍSTICAS CONSTRUCTIVAS TD-MIXVENT

| | 160 | 250 | 350 | 500 | 800 | 800N | 1300N | 2000N | 4000 | 6000 |
|---|-----|-----|-----|-----|-----|------|-------|-------|------|------------------|
| Carcasa Polipropileno | • | • | • | • | • | • | • | • | | |
| Carcasa Acero | | | | | | | | | • | • |
| Hélice ABS | • | • | • | • | • | • | • | • | | |
| Hélice Aluminio | | | | | | | | | • | • ⁽¹⁾ |
| Clase motor | II | II | II | II | II | II | II | II | I | I |
| Protector térmico por fusible | • | • | • | | | | | | | |
| Protector térmico rearme manual (PTC) | | | | • | • | • | • | • | • | • |
| Rodamientos a bolas engrase permanente | • | • | • | • | • | • | • | • | • | • |
| Motor regulable de una velocidad | | | | | | | | | • | • |
| Motor regulable [2] de dos velocidades | • | • | • | | | | | | | |
| Motor regulable [2] de tres velocidades | | | | • | • | • | • | • | | |

(1) Modelo con hélice de aluminio de fundición de una sola pieza.

(2) Los modelos que incorporan temporizador (TD-MIXVENT-T) no son regulables.



**Serie TD-MIXVENT-T
(Serie TD-MIXVENT con Temporizador)**

Versiones TD-MIXVENT con temporizador regulable entre 1 y 30 minutos. Disponen de motor de 1 ó 3 velocidades, según modelo, no regulable.



Es imprescindible comprobar que las características eléctricas (voltaje, intensidad, frecuencia, etc) del motor que aparecen en la placa del mismo son compatibles con las de la instalación.

| Código | TD-MIXVENT-T | Velocidad (r.p.m.) | Potencia absorbida máxima (W) | Intensidad absorbida máxima (A) | Caudal en descarga libre (m³/h) | Nivel de presión sonora* (dB(A)) | Temperatura de trabajo (°C) | Peso (kg) | Ø Conducto (mm) | Interruptor de 3 velocidades opcional | Uds. por caja | Grupo producto | Precio €/u. |
|------------|----------------------|--------------------|-------------------------------|---------------------------------|---------------------------------|----------------------------------|-----------------------------|-----------|-----------------|---------------------------------------|---------------|----------------|-------------|
| 5211322200 | TD-160/100 NT SILENT | 2400 | 29 | 0,17 | 180 | 24 | -20/+40 | 1,4 | 100 | - | 3 | E22 | 162,19 |
| 5211325500 | TD-250/100 T | 2140 | 28 | 0,12 | 250 | 34 | -20/+40 | 2 | 100 | - | 3 | E22 | 191,86 |
| 5211324800 | TD-350/125 T | 2050 | 26 | 0,11 | 330 | 33 | -20/+40 | 2 | 125 | - | 3 | E22 | 229,72 |
| 5211358700 | TD-500/150 T 3V | 2590 | 53 | 0,21 | 560 | 35 | -20/+60 | 2,7 | 150 | INTER 4P | 1 | E22 | 275,31 |
| | | 2150 | 44 | 0,19 | 470 | 31 | | | | | | | |
| | | 1820 | 41 | 0,18 | 390 | 26 | | | | | | | |
| 5211358800 | TD-500/160 T 3V | 2590 | 53 | 0,21 | 560 | 35 | -20/+60 | 2,7 | 150 | INTER 4P | 1 | E22 | 275,31 |
| | | 2150 | 44 | 0,19 | 470 | 31 | | | | | | | |
| | | 1820 | 41 | 0,18 | 390 | 26 | | | | | | | |
| 5211358900 | TD-800/200 T 3V | 2480 | 132 | 0,55 | 1.040 | 40 | -20/+60 | 4,9 | 200 | INTER 4P | 1 | E22 | 370,88 |
| | | 2290 | 133 | 0,56 | 940 | 37 | | | | | | | |
| | | 2080 | 131 | 0,55 | 850 | 34 | | | | | | | |

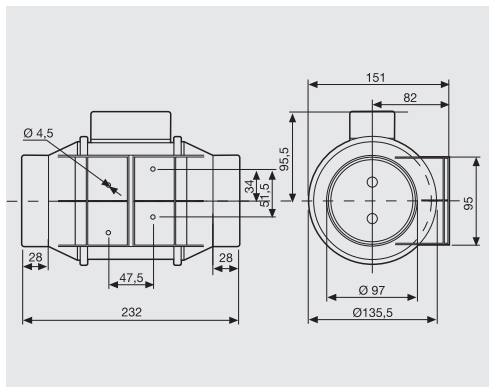
* Nivel de presión sonora, radiado a 3 metros en campo libre, con tubos rígidos en aspiración y descarga.

CARACTERÍSTICAS CONSTRUCTIVAS TD-MIXVENT-T

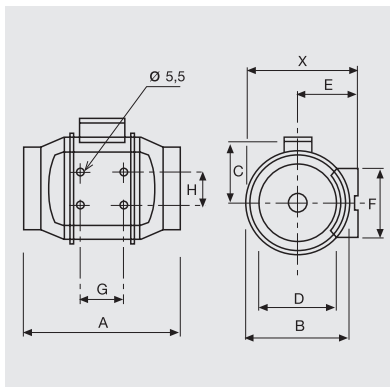
| | 160 | 250 | 350 | 500 | 800 |
|--|-----|-----|-----|-----|-----|
| Carcasa Polipropileno | • | • | • | • | • |
| Hélice ABS | • | • | • | • | • |
| Clase motor | II | II | II | II | II |
| Protector térmico por fusible | • | • | • | | |
| Protector térmico rearme manual (PTC) | | | | • | • |
| Rodamientos a bolas engrase permanente | • | • | • | • | • |

DIMENSIONES (mm)

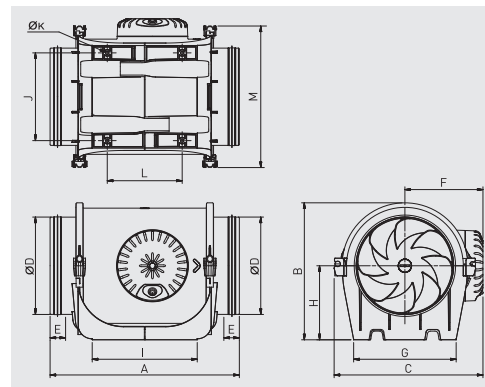
TD-160/100 N SILENT



TD-250 a TD-800

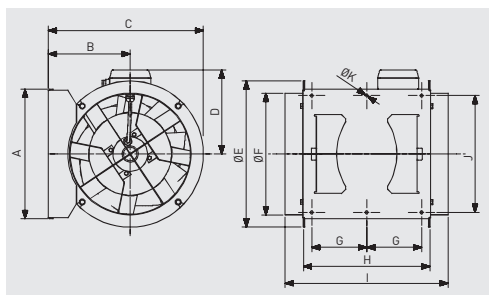


TD-1300/250N / TD-2000/315N



| Modelo | X | A | ØB | C | ØD | E | F | G | H | I | J | ØK | L | M |
|--------------|-------|-----|-----|-----|-----|-----|-----|-----|-----|-----|-----|----|-----|-----|
| TD-250/100 | 188 | 303 | 176 | 115 | 97 | 100 | 90 | 80 | 60 | - | - | - | - | - |
| TD-350/125 | 188 | 258 | 176 | 115 | 123 | 100 | 90 | 80 | 60 | - | - | - | - | - |
| TD-500/150 | 212 | 295 | 200 | 127 | 147 | 112 | 130 | 80 | 60 | - | - | - | - | - |
| TD-500/160 | 212 | 295 | 200 | 127 | 157 | 112 | 130 | 80 | 60 | - | - | - | - | - |
| TD-800/200N | 232,5 | 302 | 217 | 141 | 198 | 124 | 140 | 100 | 94 | - | - | - | - | - |
| TD-800/200 | 232,5 | 302 | 217 | 141 | 198 | 124 | 140 | 100 | 94 | - | - | - | - | - |
| TD-1300/250N | - | 390 | 289 | 306 | 247 | 40 | 159 | 230 | 155 | 231 | 194 | 7 | 182 | 295 |
| TD-2000/315N | - | 485 | 353 | 371 | 312 | 40 | 192 | 278 | 188 | 317 | 242 | 7 | 206 | 358 |

TD-4000 / TD-6000



| Modelo | A | B | C | D | ØE | ØF | G | H | I | J | ØK |
|-------------|-----|-----|-----|-----|-----|-----|-----|-----|-----|-----|-----|
| TD-4000/355 | 377 | 238 | 451 | 224 | 426 | 354 | 150 | 368 | 474 | 340 | 8.5 |
| TD-6000/400 | 407 | 249 | 249 | 267 | 487 | 399 | 160 | 425 | 547 | 370 | 8.5 |



Kits de Extracción TD MIXVENT

Los Kits de Extracción de la serie MIXVENT son conjuntos de extractor y accesorios preparados para instalaciones de ventilación para pequeños recintos, especialmente baños y aseos.



| Código | Modelo | Unidades por caja | Grupo producto | Precio €/u. |
|------------|--|-------------------|----------------|-------------|
| 5211225700 | Kit de Extracción TD-160/100 N SILENT | 3 | E22 | 206,87 |
| 5211568000 | Kit de Extracción TD-160/100 NT SILENT | 3 | E22 | 232,46 |
| 5211397400 | Kit de Extracción TD-250/100 | 3 | E22 | 235,96 |
| 5211209100 | Kit de Extracción TD-250/100 T | 3 | E22 | 262,41 |

Accesorios específicos para las Gamas TD



Kit TWIN BASE
Está constituido por dos acoplamientos rectangulares de dimensiones normalizadas y dos soportes que permiten efectuar el montaje de dos TD MIXVENT en paralelo.

| Código | Modelo | Dimensiones (mm) | | Unidades por caja | Grupo producto | Precio €/u. |
|------------|-----------------------|------------------|-----|-------------------|----------------|-------------|
| | | L | H | | | |
| 5418018700 | KIT TWIN BASE 250 | 320 | 180 | 1 | E22 | 93,10 |
| 5418019500 | KIT TWIN BASE 350 | 320 | 180 | 1 | E22 | 114,80 |
| 5418020300 | KIT TWIN BASE 500/150 | 395 | 220 | 1 | E22 | 148,60 |
| 5418021100 | KIT TWIN BASE 500/160 | 395 | 220 | 1 | E22 | 148,60 |
| 5418022900 | KIT TWIN BASE 800 | 440 | 240 | 1 | E22 | 148,60 |



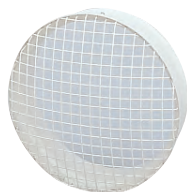
Compuertas Antirretorno MCA
Compuertas antirretorno para instalar en la descarga de los ventiladores. Impiden la entrada de olores, corrientes de aire y evitan fugas de calefacción cuando el extractor no funciona.

| Código | Modelo | Ø Conducto (mm) | Unidades por caja | Grupo producto | Precio €/u. |
|------------|-------------|-----------------|-------------------|----------------|-------------|
| 5418039300 | MCA-250 | 100 | 1 | E22 | 47,29 |
| 5418040100 | MCA-350 | 125 | 1 | E22 | 48,14 |
| 5418041900 | MCA-500/150 | 150 | 1 | E22 | 53,09 |
| 5418042700 | MCA-500/160 | 160 | 1 | E22 | 53,09 |
| 5418043500 | MCA-800 | 200 | 1 | E22 | 58,11 |
| 5418044300 | MCA-1000 | 250 | 1 | E22 | 70,41 |
| 5418045000 | MCA-2000 | 315 | 1 | E22 | 82,27 |
| 5418047600 | MCA-4000 | 355 | 1 | E22 | 165,91 |
| 5418046800 | MCA-6000 | 400 | 1 | E22 | 174,62 |



Acoplamiento Rectangular MAR
Acoplamiento para conductos rectangulares que permiten conectar los aparatos a un conducto rectangular.

| Código | Modelo | Ø Conducto (mm) | Unidades por caja | Grupo producto | Precio €/u. |
|------------|-------------|-----------------|-------------------|----------------|-------------|
| 5418030200 | MAR-250 | 100 | 1 | E22 | 48,14 |
| 5418031000 | MAR-350 | 125 | 1 | E22 | 51,11 |
| 5418032800 | MAR-500/150 | 150 | 1 | E22 | 58,35 |
| 5418033600 | MAR-500/160 | 160 | 1 | E22 | 58,35 |
| 5418034400 | MAR-800 | 200 | 1 | E22 | 67,64 |
| 5418035100 | MAR-1000 | 250 | 1 | E22 | 78,99 |
| 5418036900 | MAR-2000 | 315 | 1 | E22 | 117,99 |



Rejillas MRJ

Rejillas para colocar tanto en el lado de aspiración como en la descarga de la instalación. Evitan la entrada de cuerpos extraños que pudieran perjudicar al ventilador.

| Código | Modelo | Ø Conducto (mm) | Unidades por caja | Grupo producto | Precio €/u. |
|------------|-------------|-----------------|-------------------|----------------|-------------|
| 5418009600 | MRJ-250 | 100 | 1 | E22 | 30,08 |
| 5418013800 | MRJ-350 | 125 | 1 | E22 | 30,60 |
| 5418011200 | MRJ-500/150 | 150 | 1 | E22 | 30,84 |
| 5418012000 | MRJ-500/160 | 160 | 1 | E22 | 30,84 |
| 5418010400 | MRJ-800 | 200 | 1 | E22 | 33,47 |
| 5418014600 | MRJ-1000 | 250 | 1 | E22 | 36,94 |
| 5418015300 | MRJ-2000 | 315 | 1 | E22 | 52,27 |
| 5418007000 | MRJ-4000 | 355 | 1 | E22 | 58,50 |
| 5418016100 | MRJ-6000 | 400 | 1 | E22 | 65,94 |



Bridas MBR

Permiten acoplar dos TD MIXVENT en serie.

| Código | Modelo | Ø Conducto (mm) | Unidades por caja | Grupo producto | Precio €/u. |
|------------|-------------|-----------------|-------------------|----------------|-------------|
| 5418001300 | MBR-350 | 125 | 1 | E22 | 19,06 |
| 5418002100 | MBR-500/150 | 150 | 1 | E22 | 19,52 |
| 5418003900 | MBR-500/160 | 160 | 1 | E22 | 19,52 |
| 5418004700 | MBR-800 | 200 | 1 | E22 | 24,63 |
| 5418005400 | MBR-1000 | 250 | 1 | E22 | 30,32 |
| 5418061000 | MBR-2000 | 315 | 1 | E22 | 36,21 |



MPC

Enderezadores de caudal diseñados para medir correctamente las presiones en la aspiración de los aparatos, sin que queden afectadas por flujos no deseados.

| Código | Modelo | Grupo producto | Precio €/u. |
|------------|-------------|----------------|-------------|
| 5418047700 | MPC-250 | E22 | 63,85 |
| 5418047800 | MPC-350 | E22 | 70,23 |
| 5418047900 | MPC-500/150 | E22 | 76,76 |
| 5418048000 | MPC-500/160 | E22 | 76,74 |
| 5418048100 | MPC-800 | E22 | 84,26 |
| 5418048200 | MPC-1000 | E22 | 110,84 |
| 5418048300 | MPC-2000 | E22 | 138,15 |
| 5418048400 | MPC-4000 | E22 | 171,95 |
| 5418048500 | MPC-6000 | E22 | 196,37 |



Serie SILENTUB

Ventiladores helicoidales in-line, para intercalar en conducto, de bajo nivel sonoro, motor monofásico 230V-50Hz con rodamientos a bolas, montado sobre silent-blocks, IP44, Clase II, con protector térmico.



Motor montado sobre silent-blocks elásticos que absorben las vibraciones

| Código | Modelo | Velocidad (r.p.m.) | Potencia máx. abs. (W) | Caudal en desc. libre (m³/h) | Nivel presión sonora (dB(A)) | Ø Conducto (mm) | Longitud total (mm) | Peso (kg) | Unidades por caja | Grupo producto | Precio €/u. |
|------------|--------------|--------------------|------------------------|------------------------------|------------------------------|-----------------|---------------------|-----------|-------------------|----------------|--------------|
| 5210316500 | SILENTUB-100 | 2450 | 12 | 100 | 37,5 | 100 | 131 | 0,5 | 4 | E22 | 58,14 |
| 5210316600 | SILENTUB-200 | 2350 | 16 | 190 | 42 | 120 | 156 | 0,7 | 4 | E22 | 72,69 |



Serie TDM

Ventiladores helicoidales para intercalar en conductos, motor monofásico 230V-50Hz, aislamiento Clase II, IPX4, con protector térmico. Pueden trabajar a temperaturas de hasta 40°C.



TDM-300

| Código | Modelo | Velocidad (r.p.m.) | Potencia máx. abs. (W) | Caudal en desc. libre* (m³/h) | Nivel presión sonora (dB(A)) | Ø Conducto (mm) | Longitud total (mm) | Peso (kg) | Unidades por caja | Grupo producto | Precio €/u. |
|------------|---------|--------------------|------------------------|-------------------------------|------------------------------|-----------------|---------------------|-----------|-------------------|----------------|--------------|
| 5211502900 | TDM-100 | 2500 | 13 | 110 | 40 | 100 | 68 | 0,4 | 4 | E22 | 43,13 |
| 5211506000 | TDM-200 | 2600 | 25 | 200 | 44,5 | 120 | 78 | 0,6 | 4 | E22 | 55,89 |
| 5210226600 | TDM-300 | 2200 | 35 | 300 | 45 | 150 | 154 | 1,5 | 4 | E22 | 78,01 |

* Nivel de presión sonora, en la aspiración, a 1,5 m, a descarga libre.

Accesorios Series SILENTUB y TDM: Soporte para fijación mural

| Código | Modelo | Unidades por caja | Grupo producto | Precio €/u. |
|------------|-------------|-------------------|----------------|-------------|
| 5416726500 | PIE-100/120 | 4 | E22 | 7,89 |





VENTILADORES HELICOIDALES PARA CRISTAL O MURO



408 HV-STYLVENT



409 HCM-N

EXTRACTORES PARA BAÑO



410 SILENT DUAL



412 SILENT



413 SILENT ECOWATT



415 SILENT DESIGN



417 SILENT DESIGN ECOWATT



420 DECOR



422 EDM

VENTILADORES CENTRÍFUGOS DOMÉSTICOS



425 ECOAIR DESIGN ECOWATT



426 ECOAIR LC ECOWATT



427 EB-N



427 EBB-N

Todos los motores incorporados en nuestros productos cumplen con el Reglamento CE nº 640/2009.



Series que cumplen con la Directiva ErP.



Series energéticamente eficientes.

EXTRACTORES Y CAMPANAS DE COCINA



428 CK PLÁSTICO



428 CK METAL



429 Kits de extracción de cocina



430 Campanas Decorativas



432 Campanas tradicionales

Todos los motores incorporados en nuestros productos cumplen con el Reglamento CE nº 640/2009.



Series que cumplen con la Directiva ErP.



Series energéticamente eficientes.



Serie HV-STYLVENT

Ventiladores helicoidales para instalar en cristal o pared, con carcasa de plástico ABS, persiana incorporada, motor 230V-50Hz, IPX4, Clase II. Gama compuesta por 3 diámetros: 150, 230 y 300 mm, con diferentes opciones de funcionamiento según las necesidades de la instalación.

| Código | Modelo | Velocidad (r.p.m.) | Potencia absorbida (W) | Intensidad absorbida (A) | Caudales (m³/h) | | | Nivel presión sonora a 3 m (dB(A)) | | Dimensiones (mm) | | | Peso (kg) | Unid. por caja | Grupo producto | Precio €/u. | | | |
|------------|--------------------------|--------------------|------------------------|--------------------------|------------------|-----------------|-----------|------------------------------------|-----------------|------------------|------------------|-----------------|-----------|----------------|----------------|-------------|---|---|---|
| | | | | | Extracción | | | Velocidad rápida | Velocidad lenta | Impulsión | Velocidad rápida | Velocidad lenta | | | | | L | A | H |
| | | | | | Velocidad rápida | Velocidad lenta | Impulsión | | | | | | | | | | | | |
| 5201482600 | HV-150 AE | 2350 | 30 | 0,19 | 238 | - | - | 39 | - | 230 | 131 | 251 | 2,0 | 3 | E20 | 112,04 | | | |
| 5201476800 | HV-150 A | 2350 | 30 | 0,19 | 238 | - | - | 39 | - | 230 | 131 | 251 | 2,0 | 3 | E20 | 129,55 | | | |
| 5201470100 | HV-230 AE | 1140 | 28 | 0,11 | 489 | 430 | 296 | 40 | 39 | 300 | 164 | 325 | 3,5 | 1 | E20 | 189,99 | | | |
| 5201505400 | HVE-230 AE | 1140 | 28 | 0,11 | 489 | 430 | 296 | 40 | 39 | 367 | 173 | 337 | 3,5 | 1 | E20 | 312,91 | | | |
| 5201462800 | HV-230 M | 1140 | 28 | 0,11 | 489 | 430 | 296 | 40 | 39 | 300 | 164 | 325 | 3,5 | 1 | E20 | 230,20 | | | |
| 5201477600 | HV-230 A | 1140 | 28 | 0,11 | 489 | 430 | 296 | 40 | 39 | 300 | 164 | 325 | 3,5 | 1 | E20 | 244,44 | | | |
| 5201504700 | HVE-230 A | 1140 | 28 | 0,11 | 489 | 430 | 296 | 40 | 39 | 367 | 173 | 337 | 3,5 | 1 | E20 | 358,16 | | | |
| 5201465100 | HV-230 RC | 1140 | 28 | 0,11 | 489 | 430 | 296 | 40 | 39 | 300 | 164 | 325 | 3,5 | 1 | E20 | 366,50 | | | |
| 5201503900 | HVE-230 RC | 1140 | 28 | 0,11 | 489 | 430 | 296 | 40 | 39 | 367 | 173 | 337 | 3,5 | 1 | E20 | 536,30 | | | |
| 5201471900 | HV-300 AE | 1150 | 68 | 0,30 | 1100 | - | 700 | 46 | - | 368 | 172 | 403 | 5,1 | 1 | E20 | 218,80 | | | |
| 5201463600 | HV-300 M | 1150 | 68 | 0,30 | 1100 | 750 | 700 | 46 | 38 | 368 | 172 | 403 | 5,1 | 1 | E20 | 270,25 | | | |
| 5201478400 | HV-300 A | 1150 | 68 | 0,30 | 1100 | 750 | 700 | 46 | 38 | 368 | 172 | 403 | 5,1 | 1 | E20 | 284,24 | | | |
| 5201466900 | HV-300 RC | 1150 | 68 | 0,30 | 1100 | 750 | 700 | 46 | 38 | 368 | 172 | 403 | 5,1 | 1 | E20 | 395,49 | | | |
| 5201800900 | TORNILLERIA HV PARA MURO | | | | | | | | | | | | | 1 | E20 | 10,51 | | | |

Características funcionales de la Gama Stylvent-HV

| Tipo | Versión encastrable | 1 Vel. | 2 Vel. | Reversible | Vent. natural | Acc. por cadena | Accesorios eléctricos | | | Radio control |
|------------|---------------------|--------|--------|------------|---------------|-----------------|-----------------------|--------|--------|---------------|
| | | | | | | | REB-1R | CR-150 | CR-300 | |
| HV-230 M | | | • | • | • | • | | | | |
| HV-300 M | | | • | • | • | • | | | | |
| HV-150 AE | | • | | | | | | | | |
| HV-230 AE | | • | | • | | | • | | • | |
| HV-300 AE | | • | | • | | | • | | • | |
| HV-150 A | | • | | | • | | | | • | |
| HV-230 A | | | • | • | • | | | | | • |
| HV-300 A | | | • | • | • | | | | | • |
| HV-230 RC | | | • | • | • | | | | | • |
| HV-300 RC | | | • | • | • | | | | | • |
| HVE-230 AE | • | • | | • | | | • | | | |
| HVE-230 A | • | | • | • | • | | | | | • |
| HVE-230 RC | • | | • | • | • | | | | | • |

Temperatura ambiente máxima para todos los modelos: 45 °C.

Un solo mando a distancia puede controlar varios HV-EC. En esta situación, debe haber una distancia mínima entre los ventiladores de 1,5 metros.



Accesorios Eléctricos para la Serie Stylvent-HV REB-1R / CR-150 / CR-300

REB-1R: Regulador electrónico de velocidad. Incluye conmutador para invertir el sentido de giro del ventilador. Aplicable únicamente para los modelos HV-230-AE, HV-300-AE y HVE-230 AE.
CR-150: Caja remota para los HV-150A con interruptor paro-marcha y conmutador para abertura y cierre de persiana.

CR-300: Caja remota para los HV-230A y HV-300A, compuesta por selector para los distintos modos de funcionamiento del ventilador (paro, ventilación natural, velocidad lenta, velocidad rápida) y un conmutador que selecciona el sentido del aire.

| Código | Modelo | Red eléctrica | | Índice de protección | Potencia (VA) | Intensidad máxima (A) | Aislamiento | Temperatura de utilización | Dimensiones (mm) | | | Uds. por caja | Grupo producto | Precio €/u. |
|------------|-------------------------------|-----------------|-------------|----------------------|---------------|-----------------------|-------------|----------------------------|------------------|----|----|---------------|----------------|---------------|
| | | Frecuencia (Hz) | Tensión (V) | | | | | | L | A | H | | | |
| 5401279400 | REB-1R | 50 | 230 | IP40 | 400 | 1 | Clase II | 0-40°C | 160 | 58 | 88 | 1 | E80 | 223,34 |
| 5401256200 | CONTROL REMOTO CR-150 | | | | | | | | 88 | 47 | 88 | 1 | E20 | 28,49 |
| 5401255400 | CONTROL REMOTO CR-300 | | | | | | | | 158 | 57 | 88 | 1 | E20 | 65,93 |
| 5201801700 | CABLE INTERCONEXION HV/CR-300 | | | | | | | | Long. 10 m | | | 1 | E20 | 64,24 |



Lado aspiración

Serie HCM-N

Ventiladores helicoidales para instalar en cristal o pared, con carcasa de plástico ABS, persiana de sobrepresión incorporada, rejillas de seguridad en aspiración y descarga, motor 230V-50Hz, clase B, IPX4, Clase II, con protector térmico mediante fusible.



Lado descarga

| Código | Modelo | Velocidad (r.p.m.) | Potencia nominal (W) | Tensión | Caudal máximo (m³/h) | Nivel presión sonora a 1,5 m (dB(A)) | Dimensiones (mm) | | Peso (kg) | Unidades por caja | Grupo producto | Precio €/u. |
|------------|-----------|--------------------|----------------------|-----------|----------------------|--------------------------------------|------------------|--------------------|-----------|-------------------|----------------|---------------|
| | | | | | | | Diámetro máximo | Profundidad máxima | | | | |
| 5201419800 | HCM-150 N | 1900 | 25 | 230V-50Hz | 220 | 42 | Ø 214 | 98 | 0,9 | 4 | E20 | 96,05 |
| 5201420600 | HCM-180 N | 1950 | 28 | 230V-50Hz | 450 | 43 | Ø 255 | 135 | 1,7 | 3 | E20 | 111,19 |
| 5201421400 | HCM-225 N | 1350 | 28 | 230V-50Hz | 600 | 45 | Ø 298 | 125 | 1,8 | 3 | E20 | 140,33 |

Serie SILENT DUAL

Extractor para baño, autónomo e inteligente. Autoajusta sus prestaciones a las condiciones ambientales y a la demanda de ventilación a través de dos sensores: un detector de presencia y un sensor de humedad.

Alimentación 220-240V, 50Hz.
Temperatura de trabajo entre -5°C y +40°C.
IP45, Clase II.

Motor montado sobre silent-blocks, para reducir vibraciones y nivel sonoro.
Protector térmico.
Doble entrada, frontal y perimetral, que optimiza el flujo de entrada de aire.
Compuerta antirretorno desmontable, con difusor que mejora las prestaciones aerodinámicas.
Piloto de funcionamiento led integrado.
Sensor de presencia de amplio ángulo de detección.

Inteligencia y eficacia

SILENT DUAL incorpora un algoritmo inteligente de control a través del cual el extractor de baño autoajusta su consigna en función de las condiciones ambientales, sin necesidad de interacción con el usuario.
SILENT DUAL aprende del entorno donde está instalado (condiciones ambientales) y determina cuándo y cómo debe funcionar.

Regulación optimizada

Motor AC regulado para obtener un caudal adecuado, ajustando el consumo eléctrico y el ruido en función de la demanda real de ventilación.

Fácil instalación

Plug & Play: conexión directa a dos hilos (L, N).



AUTO %HR

PLUG&PLAY

| Código | Modelo | | Velocidad (r.p.m.) | Potencia absorbida máxima (W) | Intensidad absorbida máxima (A) | Caudal máximo (m³/h) | Nivel de presión sonora (dB(A)) a 3 m | Unids. por caja | Grupo producto | Precio €/u. |
|------------|-----------------|----------|--------------------|-------------------------------|---------------------------------|----------------------|---------------------------------------|-----------------|----------------|-------------|
| 5210640600 | SILENT DUAL 100 | MAXIMO | 2200 | 8 | 0,08 | 90 | 26,5 | 4 | E21 | 174,67 |
| | | PIR+TEMP | 1670 | 6 | 0,08 | 65 | 22 | 4 | | |
| | | CONTINUO | 910 | 4 | 0,07 | 25 | <20 | 4 | | |
| 5210641000 | SILENT DUAL 200 | MAXIMO | 2280 | 17 | 0,12 | 170 | 34 | 4 | E21 | 198,76 |
| | | PIR+TEMP | 1870 | 13 | 0,11 | 120 | 29 | 4 | | |
| | | CONTINUO | 1010 | 7 | 0,09 | 60 | <20 | 4 | | |
| 5210641100 | SILENT DUAL 300 | MAXIMO | 2120 | 26 | 0,16 | 235 | 37 | 4 | E21 | 222,16 |
| | | PIR+TEMP | 1800 | 20 | 0,14 | 190 | 33 | 4 | | |
| | | CONTINUO | 1010 | 11 | 0,11 | 100 | <20 | 4 | | |

PIR: detector de presencia
TEMP: temporizador



Dos entradas de aire
Frontal + Perimetral

Dos sensores
Presencia + HR

Dos modos de funcionamiento
Permanente + Intermitente

Fácil instalación
Conexionado a 2 hilos

MODOS DE FUNCIONAMIENTO

Funciona automáticamente cuando detecta movimiento o cuando se produce un cambio de humedad. Activa un modo preestablecido para lograr el menor consumo de energía y el menor nivel de ruido.

NO DETECCIÓN DE PRESENCIA NO "EVENTO DE HUMEDAD"

HR instantánea < HR ambiental media
NO detección



0



43% RPM

Dependiendo de la configuración del modo de funcionamiento inicial (intermitente o permanente).

DETECCIÓN DE PRESENCIA

HR instantánea < HR ambiental media
SÍ detección



75% RPM



Temp 2' / 15'



43% RPM

CAMBIO BRUSCO DE HUMEDAD

HR instantánea > HR ambiental media
"Cambio brusco"



100% RPM



43% RPM

CAMBIO SUAVE DE HUMEDAD

HR instantánea > HR ambiental media
"Cambio suave"



43-100% RPM



43% RPM

HR: Humedad Relativa

1. DETECTOR DE PRESENCIA

Sensor de presencia de amplio ángulo de detección.

2. PILOTO LED

Piloto de funcionamiento led integrado.

3. REJILLA

Rejilla con diseño aerodinámico para optimizar la entrada del flujo de aire y mejorar prestaciones.

4. SILENT-BLOCKS

Conjunto motor-hélice montado sobre silent-blocks, para reducir vibraciones y nivel sonoro.

5. ELECTRÓNICA PROTEGIDA

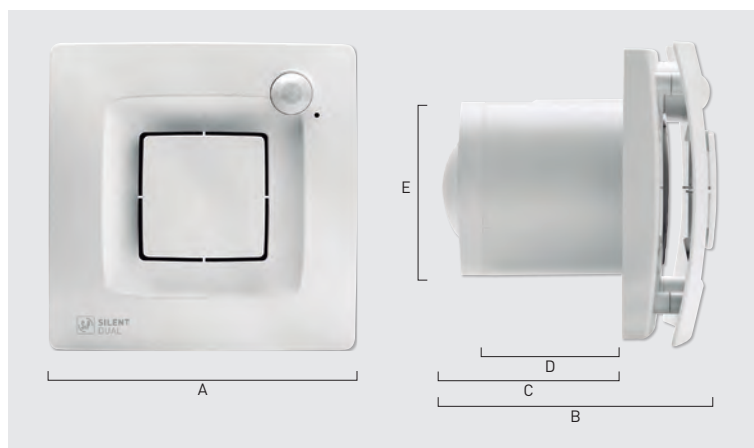
Tapa bimaterial que garantiza una protección IP45 a la placa electrónica, a los sensores y a la ficha de conexiones.

6. COMPUERTA ANTIRRETORNO

Compuerta antirretorno desmontable, con difusor que mejora las prestaciones aerodinámicas.



DIMENSIONES (mm)



| Modelo | A | B | C | D | ØE |
|-----------------|-----|-----|-------|------|-------|
| SILENT DUAL 100 | 167 | 157 | 103 | 77,5 | 99 |
| SILENT DUAL 200 | 187 | 164 | 107,5 | 80 | 118 |
| SILENT DUAL 300 | 232 | 195 | 132 | 95 | 146,5 |



Serie SILENT-100

Ventiladores helicoidales de bajo nivel sonoro, caudal aproximado de 95 m³/h, compuerta antirretorno incorporada, luz piloto de funcionamiento, motor 230V-50Hz con rodamientos a bolas, montado sobre silent-blocks, IP45, Clase II (1), con protector térmico, para trabajar a temperaturas de hasta 40°C.

(1) Versiones 12V: IP57, Clase III.



Motor montado sobre silent-blocks elásticos que absorben las vibraciones



Los modelos SILVER incorporan rejilla frontal de atractivo color plata.



PROTECCIÓN



BAJO NIVEL SONORO



EFICIENCIA ENERGÉTICA

| Código | Modelo | Velocidad (r.p.m.) | Potencia abs. desc. libre (W) | Tensión (V) 50 Hz | Caudal a desc. libre (m ³ /h) | Nivel presión sonora (dB(A)) a 3 m* | Dimensiones (mm) | | | Ø Conducto (mm) | Peso (kg) | Protección/Aislamiento | Unids. por caja | Grupo producto | Precio €/u. |
|------------|-----------------------|--------------------|-------------------------------|-------------------|--|-------------------------------------|------------------|-----|-----|-----------------|-----------|------------------------|-----------------|----------------|---------------|
| | | | | | | | L | A | H | | | | | | |
| 5210400700 | SILENT-100 CZ | 2400 | 8 | 230 | 95 | 26,5 | 158 | 109 | 158 | 100 | 0,57 | Clase II / IP45 | 4 | E21 | 78,66 |
| 5210401500 | SILENT-100 CRZ | 2400 | 8 | 230 | 95 | 26,5 | 158 | 109 | 158 | 100 | 0,57 | Clase II / IP45 | 4 | E21 | 123,32 |
| 5210402300 | SILENT-100 CHZ | 2400 | 8 | 230 | 95 | 26,5 | 158 | 109 | 158 | 100 | 0,57 | Clase II / IP45 | 4 | E21 | 169,29 |
| 5210313200 | SILENT-100 CHZ VISUAL | 2400 | 8 | 230 | 95 | 26,5 | 158 | 109 | 158 | 100 | 0,57 | Clase II / IP45 | 4 | E21 | 186,61 |
| 5210406400 | SILENT-100 CDZ | 2400 | 8 | 230 | 95 | 26,5 | 158 | 109 | 158 | 100 | 0,57 | Clase II / IP45 | 4 | E21 | 162,78 |
| 5210415500 | SILENT-100 CZ SILVER | 2400 | 8 | 230 | 95 | 26,5 | 158 | 109 | 158 | 100 | 0,57 | Clase II / IP45 | 4 | E21 | 87,39 |
| 5210416300 | SILENT-100 CRZ SILVER | 2400 | 8 | 230 | 95 | 26,5 | 158 | 109 | 158 | 100 | 0,57 | Clase II / IP45 | 4 | E21 | 131,44 |
| 5210322300 | SILENT-100 CHZ SILVER | 2400 | 8 | 230 | 95 | 26,5 | 158 | 109 | 158 | 100 | 0,57 | Clase II / IP45 | 4 | E21 | 179,07 |

* Medido a descarga libre.

PRESTACIONES - MODELOS

| | CZ | CRZ | CHZ | CDZ | CZ 12V |
|--|----|-----|-----|-----|--------|
| Luz piloto | • | • | • | • | • |
| Compuerta antirretorno | • | • | • | • | • |
| Temporizador regulable (entre 1-30 min.) | | • | • | • | |
| Humidistato regulable | | | • | | |
| Detectores de presencia | | | | • | |
| Rodamientos a bolas | • | • | • | • | • |

* Utilizando el transformador CT-12/14R.



PROTECCIÓN

Serie SILENT-100 CZ 12V

Modelo MBTS (Muy Baja Tensión de Seguridad), 12V, Clase III, IP57.

Especialmente diseñado para trabajar dentro de la zona de seguridad al funcionar a una tensión de 12V.

Debe instalarse con un transformador de seguridad CT-12/14.

KIT SILENT-100 CZ 12V + CT

Conjunto compuesto por un extractor SILENT-100 CZ 12V y un transformador de seguridad CT-12/14.



| Código | Modelo | Velocidad (r.p.m.) | Potencia abs. desc. libre (W) | Tensión (V) 50 Hz | Caudal a desc. libre (m ³ /h) | Nivel presión sonora (dB(A)) a 3 m* | Dimensiones (mm) | | | Ø Conducto (mm) | Peso (kg) | Protección/Aislamiento | Uds. por caja | Grupo producto | Precio €/u. |
|------------|------------------------------------|--------------------|-------------------------------|-------------------|--|-------------------------------------|------------------|-----|-----|-----------------|-----------|------------------------|---------------|----------------|---------------|
| | | | | | | | L | A | H | | | | | | |
| 5210408000 | SILENT-100 CZ 12V | 2320 | 13 | 12 | 95 | 26,5 | 158 | 109 | 158 | 100 | 0,57 | Clase III / IP57 | 4 | E21 | 83,77 |
| 5210423900 | SILENT-100 CZ SILVER 12V | 2320 | 13 | 12 | 95 | 26,5 | 158 | 109 | 158 | 100 | 0,57 | Clase III / IP57 | 4 | E21 | 93,12 |
| 5210312400 | KIT SILENT-100 CZ 12V + CT-12/14 | | | | | | | | | | | | 1 | E21 | 146,90 |
| 5210606300 | KIT SILENT-100 CZ 12V + CT-12/14 R | | | | | | | | | | | | 1 | E21 | 149,50 |

* Medido a descarga libre.



Serie SILENT-100 ECOWATT

Ventiladores helicoidales de bajo nivel sonoro, compuerta antirretorno incorporada, luz piloto de funcionamiento, caudal aproximado de 95 m³/h, motor brushless de corriente continua, de alto rendimiento y bajo consumo, 230V-50/60Hz, con rodamientos a bolas, montado sobre silent-blocks, IP45, Clase II, con protector térmico, para trabajar a temperaturas de hasta 40°C.

Con un consumo de sólo 5W están pensados para ser utilizados en aseos, cuartos de baño y pequeñas estancias, especialmente en instalaciones donde el extractor deba estar muchas horas en funcionamiento, lo que reportará un notable ahorro de energía.



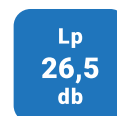
Motor montado sobre silent-blocks elásticos que absorben las vibraciones



Los modelos SILVER incorporan rejilla frontal de atractivo color plata.



PROTECCIÓN



BAJO NIVEL SONORO



| Código | Modelo | Velocidad (r.p.m.) | Potencia abs. desc. libre (W) | Tensión (V) 50 Hz | Caudal a desc. libre (m ³ /h) | Nivel presión sonora (dB(A)) a 3 m* | Dimensiones (mm) | | | Ø Conducto (mm) | Peso (kg) | Protección/Aislamiento | Uds. por caja | Grupo conducto | Precio €/u. |
|------------|-------------------------------|--------------------|-------------------------------|-------------------|--|-------------------------------------|------------------|-----|-----|-----------------|-----------|------------------------|---------------|----------------|-------------|
| | | | | | | | L | A | H | | | | | | |
| 5210610000 | SILENT-100 CZ ECOWATT | 2100 | 5 | 230 | 95 | 26,5 | 158 | 105 | 158 | 100 | 0,57 | Clase II / IP45 | 4 | E21 | 108,16 |
| 5210610200 | SILENT-100 CRZ ECOWATT | 2100 | 5 | 230 | 95 | 26,5 | 158 | 105 | 158 | 100 | 0,57 | Clase II / IP45 | 4 | E21 | 152,62 |
| 5210610100 | SILENT-100 CHZ ECOWATT | 2100 | 5 | 230 | 95 | 26,5 | 158 | 105 | 158 | 100 | 0,57 | Clase II / IP45 | 4 | E21 | 198,32 |
| 5210610300 | SILENT-100 CDZ ECOWATT | 2100 | 5 | 230 | 95 | 26,5 | 158 | 105 | 158 | 100 | 0,57 | Clase II / IP45 | 4 | E21 | 191,03 |
| 5210613700 | SILENT-100 CZ SILVER ECOWATT | 2100 | 5 | 230 | 95 | 26,5 | 158 | 105 | 158 | 100 | 0,57 | Clase II / IP45 | 4 | E21 | 116,99 |
| 5210613800 | SILENT-100 CRZ SILVER ECOWATT | 2100 | 5 | 230 | 95 | 26,5 | 158 | 105 | 158 | 100 | 0,57 | Clase II / IP45 | 4 | E21 | 162,64 |
| 5210613900 | SILENT-100 CHZ SILVER ECOWATT | 2100 | 5 | 230 | 95 | 26,5 | 158 | 105 | 158 | 100 | 0,57 | Clase II / IP45 | 4 | E21 | 208,44 |
| 5210614000 | SILENT-100 CDZ SILVER ECOWATT | 2100 | 5 | 230 | 95 | 26,5 | 158 | 105 | 158 | 100 | 0,57 | Clase II / IP45 | 4 | E21 | 201,41 |

* Medido a descarga libre.

PRESTACIONES - MODELOS

| | CZ | CRZ | CHZ | CDZ |
|------------------------|----|-----|-----|-----|
| Motor DC | • | • | • | • |
| Luz piloto | • | • | • | • |
| Compuerta antirretorno | • | • | • | • |
| Temporizador regulable | | • | • | • |
| Humidistato regulable | | | • | |
| Detector de presencia | | | | • |



+



PROTECCIÓN

KIT SILENT-100 12VDC ECOWATT + CT-12/6

Conjunto compuesto por un extractor SILENT-100 12VDC ECOWATT, modelo MBTS (Muy Baja Tensión de Seguridad), con motor brushless de 12V, Clase III, IP57, y un transformador de seguridad CT-12/6.

| Código | Modelo | Velocidad (r.p.m.) | Potencia abs. desc. libre (W) | Tensión (V) 50/60 Hz | Nivel presión sonora (dB(A)) a 3 m* | Caudal en desc. libre (m ³ /h) | Aislamiento/Protección | Ø Conducto (mm) | Peso (kg) | Uds. por caja | Grupo conducto | Precio €/u. |
|------------|--|--------------------|-------------------------------|----------------------|-------------------------------------|---|---------------------------------------|-----------------|-----------------|---------------|----------------|-------------|
| 5210614500 | KIT SILENT-100 CZ 12VDC ECOWATT + CT-12/6 | 2300 | 6 | 230 | 26,5 | 95 | Clase III / IP57 Clase II / IP21** | 100 | 0,57/ 0,48** | 1 | E21 | 138,85 |
| 5210614800 | KIT SILENT-100 CRZ 12VDC ECOWATT + CT-12/6 | 2300 | 6 | 230 | 26,5 | 95 | Clase III / IP57 Clase II / IP21** | 100 | 0,57/ 0,48** | 1 | E21 | 190,88 |
| 5210614900 | KIT SILENT-100 CHZ 12VDC ECOWATT + CT-12/6 | 2300 | 6 | 230 | 26,5 | 95 | Clase III / IP57 Clase II / IP21** | 100 | 0,57/ 0,48** | 1 | E21 | 242,76 |

* Medido a descarga libre.

** CT-12/6.



Serie SILENT-200

Ventiladores helicoidales de bajo nivel sonoro, caudal aproximado de 180 m³/h, compuerta antirretorno incorporada, luz piloto de funcionamiento, motor 230V-50Hz con rodamientos a bolas, montado sobre silent-blocks, IP45, Clase II, con protector térmico, para trabajar a temperaturas de hasta 40°C.



IP45

PROTECCIÓN

Lp
33
dbBAJO NIVEL
SONORO

Motor montado sobre silent-blocks elásticos que absorben las vibraciones



Los modelos SILVER incorporan rejilla frontal de atractivo color plata.

| Código | Modelo | Velocidad (r.p.m.) | Potencia abs. desc. libre (W) | Tensión (V) 50 Hz | Caudal a desc. libre (m ³ /h) | Nivel presión sonora (dB(A)) a 3 m* | Dimensiones (mm) | | | Ø Conducto (mm) | Peso (kg) | Protección/Aislamiento | Unids. por caja | Grupo producto | Precio €/u. |
|------------|-----------------------|--------------------|-------------------------------|-------------------|--|-------------------------------------|------------------|-----|-----|-----------------|-----------|------------------------|-----------------|----------------|-------------|
| | | | | | | | L | A | H | | | | | | |
| 5210424700 | SILENT-200 CZ | 2350 | 16 | 230 | 180 | 33 | 180 | 119 | 180 | 120 | 0,77 | Clase II / IP45 | 4 | E21 | 105,30 |
| 5210425400 | SILENT-200 CRZ | 2350 | 16 | 230 | 180 | 33 | 180 | 119 | 180 | 120 | 0,77 | Clase II / IP45 | 4 | E21 | 151,18 |
| 5210426200 | SILENT-200 CHZ | 2350 | 16 | 230 | 180 | 33 | 180 | 119 | 180 | 120 | 0,77 | Clase II / IP45 | 4 | E21 | 193,48 |
| 5210318100 | SILENT-200 CZ SILVER | 2350 | 16 | 230 | 180 | 33 | 180 | 119 | 180 | 120 | 0,77 | Clase II / IP45 | 4 | E21 | 115,19 |
| 5210320700 | SILENT-200 CRZ SILVER | 2350 | 16 | 230 | 180 | 33 | 180 | 119 | 180 | 120 | 0,77 | Clase II / IP45 | 4 | E21 | 161,12 |
| 5210613400 | SILENT-200 CHZ SILVER | 2350 | 16 | 230 | 180 | 33 | 180 | 119 | 180 | 120 | 0,77 | Clase II / IP45 | 4 | E21 | 205,09 |

* Medido a descarga libre.

PRESTACIONES - MODELOS

| | CZ | CRZ | CHZ |
|---|----|-----|-----|
| Luz piloto | • | • | • |
| Compuerta antirretorno | • | • | • |
| Temporizador regulable (entre 1 y 30 minutos) | | • | • |
| Humidistato regulable | | | • |
| Rodamientos a bolas | • | • | • |

Serie SILENT-300

Ventiladores helicoidales de bajo nivel sonoro, caudal aproximado de 280 m³/h, compuerta antirretorno incorporada, luz piloto de funcionamiento, motor 230V-50Hz con rodamientos a bolas, montado sobre silent-blocks, IP45, Clase II, con protector térmico, para trabajar a temperaturas de hasta 40°C.



IP45

PROTECCIÓN



Motor montado sobre silent-blocks elásticos que absorben las vibraciones



Los modelos SILVER incorporan rejilla frontal de atractivo color plata.

| Código | Modelo | Velocidad (r.p.m.) | Potencia abs. desc. libre (W) | Tensión (V) 50 Hz | Caudal a desc. libre (m ³ /h) | Nivel presión sonora (dB(A)) a 3 m* | Dimensiones (mm) | | | Ø Conducto (mm) | Peso (kg) | Protección/Aislamiento | Unids. por caja | Grupo producto | Precio €/u. |
|------------|-----------------------|--------------------|-------------------------------|-------------------|--|-------------------------------------|------------------|-----|-----|-----------------|-----------|------------------------|-----------------|----------------|-------------|
| | | | | | | | L | A | H | | | | | | |
| 5210417100 | SILENT-300 CZ | 2200 | 29 | 230 | 260 | 32 | 214 | 149 | 214 | 150 | 1,25 | Clase II / IP45 | 4 | E21 | 121,81 |
| 5210418900 | SILENT-300 CRZ | 2200 | 29 | 230 | 260 | 32 | 214 | 149 | 214 | 150 | 1,25 | Clase II / IP45 | 4 | E21 | 163,93 |
| 5210421300 | SILENT-300 CHZ | 2200 | 29 | 230 | 260 | 32 | 214 | 149 | 214 | 150 | 1,25 | Clase II / IP45 | 4 | E21 | 216,85 |
| 5210317300 | SILENT-300 CZ SILVER | 2200 | 29 | 230 | 260 | 32 | 214 | 149 | 214 | 150 | 1,25 | Clase II / IP45 | 4 | E21 | 133,26 |
| 5210321500 | SILENT-300 CRZ SILVER | 2200 | 29 | 230 | 260 | 32 | 214 | 149 | 214 | 150 | 1,25 | Clase II / IP45 | 4 | E21 | 175,35 |
| 5210606400 | SILENT-300 CHZ SILVER | 2200 | 29 | 230 | 260 | 32 | 214 | 149 | 214 | 150 | 1,25 | Clase II / IP45 | 4 | E21 | 229,86 |

* Medido a descarga libre.

PRESTACIONES - MODELOS

| | CZ | CRZ | CHZ |
|---|----|-----|-----|
| Luz piloto | • | • | • |
| Compuerta antirretorno | • | • | • |
| Temporizador regulable (entre 1 y 30 minutos) | | • | • |
| Humidistato regulable | | | • |
| Rodamientos a bolas | • | • | • |



Serie SILENT-100 DESIGN

Ventiladores helicoidales de bajo nivel sonoro, caudal aproximado de 85 m³/h, compuerta antirretorno incorporada, luz piloto de funcionamiento, motor 230V-50Hz con rodamientos a bolas, montado sobre silent-blocks, IP45, Clase II, con protector térmico, para trabajar a temperaturas de hasta 40°C.



Motor montado sobre silent-blocks elásticos que absorben las vibraciones



Los modelos SILVER incorporan frontal de atractivo color plata



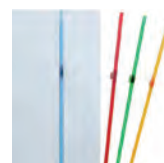
PROTECCIÓN

BAJO NIVEL SONORO

EFICIENCIA ENERGÉTICA



Modelos 3C
Distintos aspectos logrados con las bandas intercambiables de colores.



Modelos 3C, con bandas intercambiables de colores
Los modelos 3C incorporan 4 bandas transparentes intercambiables, de colores azul, verde, rojo y amarillo.



Negro Gris Champagne Rojo Mármol blanco Mármol negro



Otras variantes de color de los modelos SILENT-100 CZ DESIGN 4C
Estos modelos 4C incorporan 5 bandas intercambiables de colores blanco transparente, azul, verde, rojo y amarillo.



Blanco



Champagne



Silver

Versiones SWAROVSKI: incorporan una elegante banda frontal con cristales Swarovsky.

| Código | Modelo | Potencia abs. desc. libre (W) | Tensión (V) 50 Hz | Caudal a desc. libre (m³/h) | Nivel presión sonora (dB(A)) a 3 m* | Dimensiones (mm) | | | Ø Conductor (mm) | Peso (kg) | Protección/Aislamiento | Uds. por caja | Grupo producto | Precio €/u. |
|------------|--|-------------------------------|-------------------|-----------------------------|-------------------------------------|------------------|-----|-----|------------------|-----------|------------------------|---------------|----------------|-------------|
| | | | | | | L | A | H | | | | | | |
| 5210601800 | SILENT-100 CZ DESIGN | 8 | 230 | 85 | 26,5 | 188 | 188 | 130 | 100 | 0,65 | Clase II / IP45 | 4 | E21 | 79,42 |
| 5210601900 | SILENT-100 CRZ DESIGN | 8 | 230 | 85 | 26,5 | 188 | 188 | 130 | 100 | 0,65 | Clase II / IP45 | 4 | E21 | 124,53 |
| 5210602000 | SILENT-100 CHZ DESIGN | 8 | 230 | 85 | 26,5 | 188 | 188 | 130 | 100 | 0,65 | Clase II / IP45 | 4 | E21 | 170,97 |
| 5210602600 | SILENT-100 CZ SILVER DESIGN | 8 | 230 | 85 | 26,5 | 188 | 188 | 130 | 100 | 0,65 | Clase II / IP45 | 4 | E21 | 88,25 |
| 5210602700 | SILENT-100 CRZ SILVER DESIGN | 8 | 230 | 85 | 26,5 | 188 | 188 | 130 | 100 | 0,65 | Clase II / IP45 | 4 | E21 | 132,68 |
| 5210602800 | SILENT-100 CHZ SILVER DESIGN | 8 | 230 | 85 | 26,5 | 188 | 188 | 130 | 100 | 0,65 | Clase II / IP45 | 4 | E21 | 188,02 |
| 5210603100 | SILENT-100 CZ DESIGN-3C | 8 | 230 | 85 | 26,5 | 188 | 188 | 130 | 100 | 0,65 | Clase II / IP45 | 4 | E21 | 84,34 |
| 5210603200 | SILENT-100 CRZ DESIGN-3C | 8 | 230 | 85 | 26,5 | 188 | 188 | 130 | 100 | 0,65 | Clase II / IP45 | 4 | E21 | 129,36 |
| 5210603300 | SILENT-100 CHZ DESIGN-3C | 8 | 230 | 85 | 26,5 | 188 | 188 | 130 | 100 | 0,65 | Clase II / IP45 | 4 | E21 | 175,83 |
| 5210603400 | SILENT-100 CZ SILVER DESIGN-3C | 8 | 230 | 85 | 26,5 | 188 | 188 | 130 | 100 | 0,65 | Clase II / IP45 | 4 | E21 | 93,12 |
| 5210603500 | SILENT-100 CRZ SILVER DESIGN-3C | 8 | 230 | 85 | 26,5 | 188 | 188 | 130 | 100 | 0,65 | Clase II / IP45 | 4 | E21 | 137,60 |
| 5210603600 | SILENT-100 CHZ SILVER DESIGN-3C | 8 | 230 | 85 | 26,5 | 188 | 188 | 130 | 100 | 0,65 | Clase II / IP45 | 4 | E21 | 192,89 |
| 5210607400 | SILENT-100 CZ NEGRO DESIGN-4C | 8 | 230 | 85 | 26,5 | 188 | 188 | 130 | 100 | 0,65 | Clase II / IP45 | 4 | E21 | 96,84 |
| 5210607300 | SILENT-100 CZ GRIS DESIGN-4C | 8 | 230 | 85 | 26,5 | 188 | 188 | 130 | 100 | 0,65 | Clase II / IP45 | 4 | E21 | 96,84 |
| 5210607200 | SILENT-100 CZ CHAMPAGNE DESIGN-4C | 8 | 230 | 85 | 26,5 | 188 | 188 | 130 | 100 | 0,65 | Clase II / IP45 | 4 | E21 | 96,84 |
| 5210611800 | SILENT-100 CZ ROJO DESIGN-4C | 8 | 230 | 85 | 26,5 | 188 | 188 | 130 | 100 | 0,65 | Clase II / IP45 | 4 | E21 | 96,84 |
| 5210612000 | SILENT-100 CZ MARMOL BLANCO DESIGN-4C | 8 | 230 | 85 | 26,5 | 188 | 188 | 130 | 100 | 0,65 | Clase II / IP45 | 4 | E21 | 108,93 |
| 5210611900 | SILENT-100 CZ MARMOL NEGRO DESIGN-4C | 8 | 230 | 85 | 26,5 | 188 | 188 | 130 | 100 | 0,65 | Clase II / IP45 | 4 | E21 | 108,93 |
| 5210622300 | SILENT-100 CZ DESIGN SWAROVSKI | 8 | 230 | 85 | 26,5 | 188 | 188 | 130 | 100 | 0,65 | Clase II / IP45 | 4 | E21 | 101,15 |
| 5210622400 | SILENT-100 CZ SILVER DESIGN SWAROVSKI | 8 | 230 | 85 | 26,5 | 188 | 188 | 130 | 100 | 0,65 | Clase II / IP45 | 4 | E21 | 110,99 |
| 5210622500 | SILENT-100 CZ CHAMPAGNE DESIGN SWAROVSKI | 8 | 230 | 85 | 26,5 | 188 | 188 | 130 | 100 | 0,65 | Clase II / IP45 | 4 | E21 | 119,56 |

* Medido a descarga libre.

PRESTACIONES - MODELOS

| | CZ DESIGN | CRZ DESIGN | CHZ DESIGN |
|---|-----------|------------|------------|
| Luz piloto | • | • | • |
| Compuerta antirretorno | • | • | • |
| Temporizador regulable (entre 1 y 30 minutos) | | • | • |
| Humidistato regulable | | | • |
| Rodamientos a bolas | • | • | • |



Serie SILENT-100 DESIGN ECOWATT

Ventiladores helicoidales de bajo nivel sonoro, compuerta antirretorno incorporada, luz piloto de funcionamiento, caudal aproximado de 85 m³/h, motor brushless de corriente continua, de alto rendimiento y bajo consumo, 230V-50/60Hz, con rodamientos a bolas, montado sobre silent-blocks, IP45, Clase II, con protector térmico, para trabajar a temperaturas de hasta 40°C. Con un consumo de sólo 5W, los extractores de la serie SILENT-ECOWATT están pensados para ser utilizados en aseos, cuartos de baño y pequeñas estancias, especialmente en instalaciones donde el extractor deba estar muchas horas en funcionamiento, lo que reportará un notable ahorro de energía.



Los modelos SILVER incorporan frontal de atractivo color plata.



Incorporan 4 bandas transparentes intercambiables de colores azul, verde, rojo y amarillo, para adaptarse a cualquier diseño y ambiente.



PROTECCIÓN



BAJO NIVEL SONORO



EFICIENCIA ENERGÉTICA



| Código | Modelo | Velocidad (r.p.m.) | Potencia abs. desc. libre (W) | Tensión (V) 50 Hz | Caudal máximo (m ³ /h) | Nivel presión sonora (dB(A)) a 3 m* | Dimensiones (mm) | | | Ø Conducto (mm) | Peso (kg) | Protección/Aislamiento | Uds. por caja | Grupo producto | Precio €/u. |
|------------|--------------------------------------|--------------------|-------------------------------|-------------------|-----------------------------------|-------------------------------------|------------------|-----|-----|-----------------|-----------|------------------------|---------------|----------------|-------------|
| | | | | | | | L | A | H | | | | | | |
| 5210610800 | SILENT-100 CZ DESIGN ECOWATT | 2100 | 5 | 230 | 85 | 26,5 | 188 | 150 | 188 | 100 | 0.65 | Clase II / IP45 | 4 | E21 | 114,42 |
| 5210611000 | SILENT-100 CRZ DESIGN ECOWATT | 2100 | 5 | 230 | 85 | 26,5 | 188 | 150 | 188 | 100 | 0.65 | Clase II / IP45 | 4 | E21 | 158,28 |
| 5210610900 | SILENT-100 CHZ DESIGN ECOWATT | 2100 | 5 | 230 | 85 | 26,5 | 188 | 150 | 188 | 100 | 0.65 | Clase II / IP45 | 4 | E21 | 204,76 |
| 5210614100 | SILENT-100 CZ SILVER DESIGN ECOWATT | 2100 | 5 | 230 | 85 | 26,5 | 188 | 150 | 188 | 100 | 0.65 | Clase II / IP45 | 4 | E21 | 123,91 |
| 5210614200 | SILENT-100 CRZ SILVER DESIGN ECOWATT | 2100 | 5 | 230 | 85 | 26,5 | 188 | 150 | 188 | 100 | 0.65 | Clase II / IP45 | 4 | E21 | 168,82 |
| 5210614300 | SILENT-100 CHZ SILVER DESIGN ECOWATT | 2100 | 5 | 230 | 85 | 26,5 | 188 | 150 | 188 | 100 | 0.65 | Clase II / IP45 | 4 | E21 | 214,58 |

* Medido a descarga libre.

PRESTACIONES - MODELOS

| | CZ | CRZ | CHZ |
|------------------------|----|-----|-----|
| Motor DC | • | • | • |
| Luz piloto | • | • | • |
| Compuerta antirretorno | • | • | • |
| Temporizador regulable | | • | • |
| Humidistato regulable | | | • |



+



PROTECCIÓN

KIT SILENT-100 DESIGN 12VDC ECOWATT + CT-12/6

Conjunto compuesto por un extractor SILENT-100 DESIGN 12VDC ECOWATT, modelo MBTS (Muy Baja Tensión de Seguridad), con motor brushless de 12V, Clase III, IP57, y un transformador de seguridad CT-12/6.

| Código | Modelo | Velocidad (r.p.m.) | Potencia abs. desc. libre (W) | Tensión (V) 50/60 Hz | Nivel presión sonora (dB(A)) a 3 m* | Caudal máximo (m ³ /h) | Aislamiento/Protección | Ø Conducto (mm) | Peso (kg) | Uds. por caja | Grupo producto | Precio €/u. |
|------------|---|--------------------|-------------------------------|----------------------|-------------------------------------|-----------------------------------|------------------------------------|-----------------|---------------|---------------|----------------|-------------|
| 5210614600 | KIT SILENT-100 CZ DESIGN 12VDC ECOWATT + CT-12/6 | 2100 | 8 | 230 | 29 | 90 | Clase III / IP57 Clase IIIP21** | 100 | 0,65 / 0,48** | 4 | E21 | 150,14 |
| 5210615000 | KIT SILENT-100 CRZ DESIGN 12VDC ECOWATT + CT-12/6 | 2100 | 8 | 230 | 29 | 90 | Clase III / IP57 Clase IIIP21** | 100 | 0,65 / 0,48** | 4 | E21 | 201,43 |
| 5210615100 | KIT SILENT-100 CHZ DESIGN 12VDC ECOWATT + CT-12/6 | 2100 | 8 | 230 | 29 | 90 | Clase III / IP57 Clase IIIP21** | 100 | 0,65 / 0,48** | 4 | E21 | 254,52 |

* Medido a descarga libre.

** CT-12/6.



Serie SILENT-200 DESIGN-3C

Ventiladores helicoidales de bajo nivel sonoro, caudal aproximado de 175 m³/h, compuerta antirretorno incorporada, luz piloto de funcionamiento, motor 230V-50Hz con rodamientos a bolas, montado sobre silent-blocks, IP45, Clase II, con protector térmico, para trabajar a temperaturas de hasta 40°C.



Motor montado sobre silent-blocks elásticos que absorben las vibraciones



Los modelos SILVER incorporan frontal de atractivo color plata.



IP45

PROTECCIÓN



**Lp
35
db**

BAJO NIVEL
SONORO



16W!

EFICIENCIA
ENERGÉTICA



Incorporan 4 bandas transparentes intercambiables de colores azul, verde, rojo y amarillo, para adaptarse a cualquier diseño y ambiente.

| Código | Modelo | Potencia abs. desc. libre (W) | Tensión (V) 50 Hz | Caudal a desc. libre (m ³ /h) | Nivel presión sonora (dB(A)) a 3 m* | Dimensiones (mm) | | | Ø Conducto (mm) | Peso (kg) | Protección/Aislamiento | Uds. por caja | Grupo producto | Precio €/u. |
|------------|---------------------------------|-------------------------------|-------------------|--|-------------------------------------|------------------|-----|-----|-----------------|-----------|------------------------|---------------|----------------|---------------|
| | | | | | | L | A | H | | | | | | |
| 5210604000 | SILENT-200 CZ DESIGN-3C | 16 | 230 | 175 | 35 | 210 | 210 | 145 | 120 | 0.88 | Clase II / IP45 | 4 | E21 | 106,48 |
| 5210604100 | SILENT-200 CRZ DESIGN-3C | 16 | 230 | 175 | 35 | 210 | 210 | 145 | 120 | 0.88 | Clase II / IP45 | 4 | E21 | 151,82 |
| 5210604200 | SILENT-200 CHZ DESIGN-3C | 16 | 230 | 175 | 35 | 210 | 210 | 145 | 120 | 0.88 | Clase II / IP45 | 4 | E21 | 194,28 |
| 5210605900 | SILENT-200 CZ SILVER DESIGN-3C | 16 | 230 | 175 | 35 | 210 | 210 | 145 | 120 | 0.88 | Clase II / IP45 | 4 | E21 | 115,99 |
| 5210606100 | SILENT-200 CRZ SILVER DESIGN-3C | 16 | 230 | 175 | 35 | 210 | 210 | 145 | 120 | 0.88 | Clase II / IP45 | 4 | E21 | 162,70 |
| 5210606000 | SILENT-200 CHZ SILVER DESIGN-3C | 16 | 230 | 175 | 35 | 210 | 210 | 145 | 120 | 0.88 | Clase II / IP45 | 4 | E21 | 206,95 |

* Medido a descarga libre.

PRESTACIONES - MODELOS

| | CZ DESIGN-3C | CRZ DESIGN-3C | CHZ DESIGN-3C |
|------------------------|--------------|---------------|---------------|
| Luz piloto | • | • | • |
| Compuerta antirretorno | • | • | • |
| Temporizador regulable | | • | • |
| Humidistato regulable | | | • |
| Rodamientos a bolas | • | • | • |
| Kit banda 4 colores | • | • | • |



Serie SILENT-300 DESIGN-3C

Ventiladores helicoidales de bajo nivel sonoro, caudal aproximado de 250 m³/h, compuerta antirretorno incorporada, luz piloto de funcionamiento, motor 230V-50Hz con rodamientos a bolas, montado sobre silent-blocks, IP45, Clase II, con protector térmico, para trabajar a temperaturas de hasta 40°C.



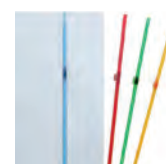
Motor montado sobre silent-blocks elásticos que absorben las vibraciones



Los modelos SILVER incorporan frontal de atractivo color plata.



PROTECCIÓN



Incorporan 4 bandas transparentes intercambiables de colores azul, verde, rojo y amarillo, para adaptarse a cualquier diseño y ambiente.

| Código | Modelo | Potencia abs. desc. libre (W) | Tensión (V) 50 Hz | Caudal a desc. libre (m ³ /h) | Nivel presión sonora (dB(A)) a 3 m* | Dimensiones (mm) | | | Ø Conducto (mm) | Peso (kg) | Protección/Aislamiento | Uds. por caja | Grupo producto | Precio €/u. |
|------------|---------------------------------|-------------------------------|-------------------|--|-------------------------------------|------------------|-----|-----|-----------------|-----------|------------------------|---------------|----------------|---------------|
| | | | | | | L | A | H | | | | | | |
| 5210623800 | SILENT-300 CZ DESIGN-3C | 26 | 230 | 250 | 38 | 247 | 247 | 179 | 150-160 | 1,5 | Clase II / IP45 | 4 | E21 | 122,84 |
| 5210623900 | SILENT-300 CRZ DESIGN-3C | 26 | 230 | 250 | 38 | 247 | 247 | 179 | 150-160 | 1,5 | Clase II / IP45 | 4 | E21 | 165,11 |
| 5210624000 | SILENT-300 CHZ DESIGN-3C | 26 | 230 | 250 | 38 | 247 | 247 | 179 | 150-160 | 1,5 | Clase II / IP45 | 4 | E21 | 218,07 |
| 5210624100 | SILENT-300 CZ SILVER DESIGN-3C | 26 | 230 | 250 | 38 | 247 | 247 | 179 | 150-160 | 1,5 | Clase II / IP45 | 4 | E21 | 134,59 |
| 5210624200 | SILENT-300 CRZ SILVER DESIGN-3C | 26 | 230 | 250 | 38 | 247 | 247 | 179 | 150-160 | 1,5 | Clase II / IP45 | 4 | E21 | 176,56 |
| 5210624300 | SILENT-300 CHZ SILVER DESIGN-3C | 26 | 230 | 250 | 38 | 247 | 247 | 179 | 150-160 | 1,5 | Clase II / IP45 | 4 | E21 | 231,19 |

* Medido a descarga libre.

PRESTACIONES - MODELOS

| | CZ DESIGN-3C | CRZ DESIGN-3C | CHZ DESIGN-3C |
|------------------------|--------------|---------------|---------------|
| Luz piloto | • | • | • |
| Compuerta antirretorno | • | • | • |
| Temporizador regulable | | • | • |
| Humidistato regulable | | | • |
| Rodamientos a bolas | • | • | • |
| Kit banda 4 colores | • | • | • |



Serie DECOR-100

Ventiladores helicoidales extraplano, con caudal aproximado de 100 m³/h, compuerta antirretorno incorporada, luz piloto de funcionamiento, motor 230V-50Hz, con rodamientos a bolas (modelos Z), IPX4, Clase II, con protector térmico, para trabajar a temperaturas de hasta 40°C.

| Código | Modelo | Velocidad (r.p.m.) | Potencia abs. desc. libre (W) | Tensión (V) 50 Hz | Caudal a desc. libre (m ³ /h) | Nivel presión sonora (dB(A)) a 1,5 m* | Dimensiones (mm) | | | Ø Conducto (mm) | Peso (kg) | Protección/Aislamiento | Uds. por caja | Grupo producto | Precio €/u. |
|------------|---------------|--------------------|-------------------------------|-------------------|--|---------------------------------------|------------------|----|-----|-----------------|-----------|------------------------|---------------|----------------|---------------|
| | | | | | | | L | A | H | | | | | | |
| 5210001300 | DECOR-100 C | 2500 | 13 | 230 | 95 | 40 | 158 | 85 | 158 | 100 | 0,44 | Clase II / IPX4 | 6 | E21 | 58,30 |
| 5210000500 | DECOR-100 CZ | 2500 | 13 | 230 | 95 | 40 | 158 | 85 | 158 | 100 | 0,44 | Clase II / IPX4 | 6 | E21 | 74,96 |
| 5210002100 | DECOR-100 CR | 2500 | 13 | 230 | 95 | 40 | 158 | 85 | 158 | 100 | 0,44 | Clase II / IPX4 | 6 | E21 | 91,06 |
| 5210005400 | DECOR-100 CRZ | 2500 | 13 | 230 | 95 | 40 | 158 | 85 | 158 | 100 | 0,44 | Clase II / IPX4 | 6 | E21 | 117,55 |
| 5210003900 | DECOR-100 CH | 2500 | 13 | 230 | 95 | 40 | 158 | 85 | 158 | 100 | 0,44 | Clase II / IPX2 | 6 | E21 | 124,70 |
| 5210006200 | DECOR-100 CHZ | 2500 | 13 | 230 | 95 | 40 | 158 | 85 | 158 | 100 | 0,44 | Clase II / IPX2 | 6 | E21 | 160,91 |
| 5210004700 | DECOR-100 CD | 2500 | 13 | 230 | 95 | 40 | 158 | 85 | 158 | 100 | 0,44 | Clase II / IPX4 | 6 | E21 | 124,70 |
| 5210007000 | DECOR-100 CDZ | 2500 | 13 | 230 | 95 | 40 | 158 | 85 | 158 | 100 | 0,44 | Clase II / IPX4 | 6 | E21 | 161,25 |

* Medido a descarga libre.

PRESTACIONES - MODELOS

| | C | CZ | CR | CRZ | CH | CHZ | CD | CDZ | 12V C |
|------------------------|---|----|----|-----|----|-----|----|-----|-------|
| Luz piloto | • | • | • | • | • | • | • | • | • |
| Compuerta antirretorno | • | • | • | • | • | • | • | • | • |
| Temporizador regulable | | | • | • | • | • | • | • | * |
| Humidistato regulable | | | | | • | • | | | |
| Detector de presencia | | | | | | | • | • | |
| Rodamientos a bolas | | • | | • | | • | | • | |



Serie DECOR-100C 12 V

Modelo MBTS (Muy Baja Tensión de Seguridad), 12V, Clase III, IP57. Especialmente diseñado para trabajar dentro de la zona de seguridad al funcionar a una tensión de 12V. Debe instalarse con un transformador de seguridad CT-12/14.



KIT DECOR-100 12V + CT

Conjunto compuesto por un extractor DECOR-100 C 12V y un transformador de seguridad CT-12/14.
Versiones: KIT DECOR-100 C 12V + CT-12/14
KIT DECOR-100 C 12V + CT-12/14 R.



| Código | Modelo | Velocidad (r.p.m.) | Potencia abs. desc. libre (W) | Tensión (V) 50 Hz | Caudal a desc. libre (m ³ /h) | Nivel presión sonora (dB(A)) a 1,5 m* | Dimensiones (mm) | | | Ø Conducto (mm) | Peso (kg) | Protección/Aislamiento | Uds. por caja | Grupo producto | Precio €/u. |
|------------|----------------------------------|--------------------|-------------------------------|-------------------|--|---------------------------------------|------------------|----|-----|-----------------|-----------|------------------------|---------------|----------------|---------------|
| | | | | | | | L | A | H | | | | | | |
| 5210015300 | DECOR-100C 12V | 2100 | 7 | 12 | 85 | 37 | 158 | 85 | 158 | 100 | 0,48 | Clase III / IP57 | 6 | E21 | 64,36 |
| 5210306600 | KIT DECOR-100 C 12V + CT-12/14 | | | | | | | | | | | | 1 | E21 | 128,22 |
| 5210307400 | KIT DECOR-100 C 12V + CT-12/14 R | | | | | | | | | | | | 1 | E21 | 136,37 |

* Medido a descarga libre.



Serie DECOR-200

Ventiladores helicoidales extraplanos, con caudal aproximado de 200 m³/h, compuerta antirretorno incorporada, luz piloto de funcionamiento, motor 230V-50Hz, con rodamientos a bolas (modelos Z), IPX4, Clase II, con protector térmico incorporado.

| Código | Modelo | Velocidad (r.p.m.) | Potencia abs. desc. libre (W) | Tensión (V) 50 Hz | Caudal a desc. libre (m ³ /h) | Nivel presión sonora (dB(A)) a 1,5 m* | Dimensiones (mm) | | | Ø Conducto (mm) | Peso (kg) | Protección/Aislamiento | Uds. por caja | Grupo producto | Precio €/u. |
|------------|---------------|--------------------|-------------------------------|-------------------|--|---------------------------------------|------------------|-----|-----|-----------------|-----------|------------------------|---------------|----------------|---------------|
| | | | | | | | L | A | H | | | | | | |
| 5210100300 | DECOR-200 C | 2500 | 20 | 230 | 185 | 45 | 180 | 108 | 180 | 120 | 0,8 | Clase II / IPX4 | 4 | E21 | 77,90 |
| 5210101100 | DECOR-200 CZ | 2500 | 20 | 230 | 185 | 45 | 180 | 108 | 180 | 120 | 0,8 | Clase II / IPX4 | 4 | E21 | 100,39 |
| 5210102900 | DECOR-200 CR | 2500 | 20 | 230 | 185 | 45 | 180 | 108 | 180 | 120 | 0,8 | Clase II / IPX4 | 4 | E21 | 111,48 |
| 5210103700 | DECOR-200 CRZ | 2500 | 20 | 230 | 185 | 45 | 180 | 108 | 180 | 120 | 0,8 | Clase II / IPX4 | 4 | E21 | 144,11 |
| 5210104500 | DECOR-200 CH | 2500 | 20 | 230 | 185 | 45 | 180 | 108 | 180 | 120 | 0,8 | Clase II / IPX2 | 4 | E21 | 142,52 |
| 5210105200 | DECOR-200 CHZ | 2500 | 20 | 230 | 185 | 45 | 180 | 108 | 180 | 120 | 0,8 | Clase II / IPX2 | 4 | E21 | 168,44 |

* Medido a descarga libre.

PRESTACIONES - MODELOS

| | C | CZ | CR | CRZ | CH | CHZ |
|------------------------|---|----|----|-----|----|-----|
| Luz piloto | • | • | • | • | • | • |
| Compuerta antirretorno | • | • | • | • | • | • |
| Temporizador regulable | | | • | • | • | • |
| Humidistato regulable | | | | | • | • |
| Rodamientos a bolas | | • | | • | | • |



Serie DECOR-300

Ventiladores helicoidales extraplanos, con caudal aproximado de 300 m³/h, compuerta antirretorno incorporada, luz piloto de funcionamiento, motor 230V-50Hz, con rodamientos a bolas (modelos Z), IPX4, Clase II, con protector térmico incorporado.

| Código | Modelo | Velocidad (r.p.m.) | Potencia máxima absorbida (W) | Tensión (V) 50 Hz | Caudal en descarga libre (m ³ /h) | Nivel presión sonora (dB(A)) a 1,5 m* | Dimensiones (mm) | | | Ø Conducto (mm) | Peso (kg) | Protección/Aislamiento | Uds. por caja | Grupo producto | Precio €/u. |
|------------|---------------|--------------------|-------------------------------|-------------------|--|---------------------------------------|------------------|-----|-----|-----------------|-----------|------------------------|---------------|----------------|---------------|
| | | | | | | | L | A | H | | | | | | |
| 5210201900 | DECOR-300 S | 2240 | 23 | 230 | 250 | 46 | 200 | 129 | 200 | 150 | 1,44 | Clase II / IPX4 | 4 | E21 | 79,08 |
| 5210202700 | DECOR-300 C | 2240 | 23 | 230 | 250 | 46 | 200 | 129 | 200 | 150 | 1,44 | Clase II / IPX4 | 4 | E21 | 105,22 |
| 5210207600 | DECOR-300 CZ | 2240 | 23 | 230 | 250 | 46 | 200 | 129 | 200 | 150 | 1,44 | Clase II / IPX4 | 4 | E21 | 120,56 |
| 5210203500 | DECOR-300 R | 2240 | 23 | 230 | 250 | 46 | 200 | 129 | 200 | 150 | 1,44 | Clase II / IPX4 | 4 | E21 | 128,18 |
| 5210205000 | DECOR-300 CR | 2240 | 23 | 230 | 250 | 46 | 200 | 129 | 200 | 150 | 1,44 | Clase II / IPX4 | 4 | E21 | 141,28 |
| 5210210000 | DECOR-300 CRZ | 2240 | 23 | 230 | 250 | 46 | 200 | 129 | 200 | 150 | 1,44 | Clase II / IPX4 | 4 | E21 | 162,06 |
| 5210204300 | DECOR-300 H | 2240 | 23 | 230 | 250 | 46 | 200 | 129 | 200 | 150 | 1,44 | Clase II / IPX2 | 4 | E21 | 152,91 |
| 5210206800 | DECOR-300 CH | 2240 | 23 | 230 | 250 | 46 | 200 | 129 | 200 | 150 | 1,44 | Clase II / IPX2 | 4 | E21 | 165,93 |
| 5210211800 | DECOR-300 CHZ | 2240 | 23 | 230 | 250 | 46 | 200 | 129 | 200 | 150 | 1,44 | Clase II / IPX2 | 4 | E21 | 214,03 |

* Medido a descarga libre.

PRESTACIONES - MODELOS

| | S | C | CZ | R | CR | CRZ | H | CH | CHZ |
|------------------------|---|---|----|---|----|-----|---|----|-----|
| Luz piloto | • | • | • | • | • | • | • | • | • |
| Compuerta antirretorno | | • | • | | • | • | | • | • |
| Temporizador regulable | | | | • | • | • | | • | • |
| Humidistato regulable | | | | | | | • | • | • |
| Rodamientos a bolas | | | • | | | • | | | • |



EDM-80 N



EDM-80 L

Serie EDM-80 N / EDM-80 L

Ventiladores helicoidales con caudal aproximado de 80 m³/h, motor 230V-50Hz, IP44 (1), Clase II, con protector térmico, para trabajar a temperaturas de hasta 40°C.

(1) Modelos L: IPX4

| Código | Modelo | Velocidad (r.p.m.) | Potencia abs. desc. libre (W) | Tensión (V) 50 Hz | Caudal a desc. libre (m ³ /h) | Nivel presión sonora (dB(A)) a 1,5 m* | Dimensiones (mm) | | | Ø Conducto (mm) | Peso (kg) | Protección/Aislamiento | Unids. por caja | Grupo producto | Precio €/u. |
|------------|------------|--------------------|-------------------------------|-------------------|--|---------------------------------------|------------------|-----|-----|-----------------|-----------|------------------------|-----------------|----------------|---------------|
| | | | | | | | L | A | H | | | | | | |
| 5210035100 | EDM-80 N | 2350 | 9 | 230 | 80 | 33 | 121 | 121 | 94 | 100 | 0,4 | Clase II / IPX4 | 6 | E21 | 50,01 |
| 5210043500 | EDM-80 NZ | 2350 | 9 | 230 | 80 | 33 | 121 | 121 | 94 | 100 | 0,4 | Clase II / IPX4 | 6 | E21 | 64,14 |
| 5210044300 | EDM-80 NT | 2350 | 9 | 230 | 80 | 33 | 121 | 121 | 94 | 100 | 0,4 | Clase II / IPX4 | 6 | E21 | 78,83 |
| 5210045000 | EDM-80 NTZ | 2350 | 9 | 230 | 80 | 33 | 121 | 121 | 94 | 100 | 0,4 | Clase II / IPX4 | 6 | E21 | 101,58 |
| 5211412100 | EDM-80 L | 2300 | 13 | 230 | 80 | 33 | 124 | 82 | 250 | 100 | 0,4 | Clase II / IPX4 | 4 | E21 | 54,56 |
| 5211608400 | EDM-80 LZ | 2300 | 13 | 230 | 80 | 33 | 124 | 82 | 250 | 100 | 0,4 | Clase II / IPX4 | 4 | E21 | 70,04 |
| 5211416200 | EDM-80 LR | 2300 | 13 | 230 | 80 | 33 | 124 | 82 | 250 | 100 | 0,4 | Clase II / IPX4 | 4 | E21 | 82,85 |
| 5211609200 | EDM-80 LRZ | 2300 | 13 | 230 | 80 | 33 | 124 | 82 | 250 | 100 | 0,4 | Clase II / IPX4 | 4 | E21 | 106,83 |

* Medido a descarga libre.

PRESTACIONES - MODELOS

| | N | NZ | NT | NTZ | L | LZ | LR | LRZ |
|---|---|----|----|-----|---|----|----|-----|
| Directrices de descarga | • | • | • | • | | | | |
| Temporizador fijo 8 min. | | | • | • | | | | |
| Temporizador regulable | | | | | | | • | • |
| Diseño adaptable a rejas de ventilación rectangulares | | | | | • | • | • | • |
| Rodamientos a bolas | | • | | • | | • | | • |



Serie EDM-100

Ventiladores helicoidales, con caudal aproximado de 100 m³/h, luz piloto de funcionamiento (1), motor 230V-50Hz, IP44 (2), Clase II (3), con protector térmico, para trabajar a temperaturas de hasta 40°C.

(1) Excepto modelo S

(2) Versiones H: IP30

(3) Versiones 12V: IP57, Clase III

| Código | Modelo | Velocidad (r.p.m.) | Potencia abs. desc. libre (W) | Tensión (V) 50 Hz | Caudal a desc. libre (m ³ /h) | Nivel presión sonora (dB(A)) a 1,5 m* | Dimensiones (mm) | | | Ø Conducto (mm) | Peso (kg) | Protección/Aislamiento | Unids. por caja | Grupo producto | Precio €/u. |
|------------|-------------|--------------------|-------------------------------|-------------------|--|---------------------------------------|------------------|----|-----|-----------------|-----------|------------------------|-----------------|----------------|---------------|
| | | | | | | | L | A | H | | | | | | |
| 5211450100 | EDM-100 S | 2450 | 13 | 230 | 95 | 40 | 155 | 98 | 155 | 100 | 0,48 | Clase II / IPX4 | 6 | E21 | 55,24 |
| 5211451900 | EDM-100 T | 2450 | 13 | 230 | 95 | 40 | 155 | 98 | 155 | 100 | 0,48 | Clase II / IPX4 | 6 | E21 | 83,37 |
| 5211453500 | EDM-100 C | 2450 | 17 | 230 | 95 | 40 | 155 | 98 | 155 | 100 | 0,48 | Clase II / IPX4 | 6 | E21 | 76,86 |
| 5211454300 | EDM-100 CT | 2450 | 17 | 230 | 95 | 40 | 155 | 98 | 155 | 100 | 0,48 | Clase II / IPX4 | 6 | E21 | 103,47 |
| 5211520100 | EDM-100 H | 2450 | 13 | 230 | 95 | 40 | 155 | 98 | 155 | 100 | 0,48 | Clase II / IPX2 | 6 | E21 | 117,89 |
| 5211521900 | EDM-100 CH | 2450 | 17 | 230 | 95 | 40 | 155 | 98 | 155 | 100 | 0,48 | Clase II / IPX2 | 6 | E21 | 130,56 |
| 5211458400 | EDM-100 R | 2450 | 13 | 230 | 95 | 40 | 155 | 98 | 155 | 100 | 0,48 | Clase II / IPX4 | 6 | E21 | 85,97 |
| 5211461800 | EDM-100 CR | 2450 | 17 | 230 | 95 | 40 | 155 | 98 | 155 | 100 | 0,48 | Clase II / IPX4 | 6 | E21 | 110,10 |
| 5211456800 | EDM-100 M | 2450 | 13 | 230 | 95 | 40 | 155 | 98 | 155 | 100 | 0,48 | Clase II / IPX4 | 6 | E21 | 132,11 |
| 5211457600 | EDM-100 VM | 2450 | 13 | 230 | 95 | 40 | 155 | 98 | 155 | 100 | 0,48 | Clase II / IPX4 | 6 | E21 | 100,96 |
| 5211524300 | EDM-100 VMH | 2450 | 13 | 230 | 95 | 40 | 155 | 98 | 155 | 100 | 0,48 | Clase II / IPX2 | 6 | E21 | 136,56 |

* Medido a descarga libre.

PRESTACIONES - MODELOS

| | S | T | R | H | C | CT | CR | CH | M | E-VM | VMH |
|---------------------------|---|---|---|---|---|----|----|----|---|------|-----|
| Luz piloto | | • | • | • | • | • | • | • | • | • | • |
| Temporizador fijo | | • | | | | • | | | | | |
| Temporizador regulable | | | • | | | | • | | | | |
| Persiana automática | | | | | • | • | • | • | • | • | • |
| Célula fotoeléctrica | | | | | | | | | | | |
| Humidistato regulable | | | | • | | | | • | | | • |
| Cadena paro-marcha | | | | • | | | | • | • | • | • |
| Adaptación para cristales | | | | | | | | | | • | • |
| Persiana fija exterior | | | | | | | | | | • | • |



PROTECCIÓN

Serie EDM-100 12V

Modelo MBTS (Muy Baja Tensión de Seguridad), 12V, Clase III, IP57.

Especialmente diseñado para trabajar dentro de la zona de seguridad al funcionar a una tensión de 12V.

Debe instalarse con un transformador de seguridad CT-12/14.

KITS EDM-100 12V + CT

Conjuntos compuestos por un extractor EDM-100 12V y un transformador de seguridad CT.



+



| Código | Modelo | Velocidad (r.p.m.) | Potencia abs. desc. libre (W) | Tensión (V) 50 Hz | Caudal a desc. libre (m³/h) | Nivel presión sonora (dB(A)) a 1,5 m* | Dimensiones (mm) | | | Ø Conducto (mm) | Peso (kg) | Protección/Aislamiento | Uds. por caja | Grupo producto | Precio €/u. |
|------------|--------------------------------|--------------------|-------------------------------|-------------------|-----------------------------|---------------------------------------|------------------|----|-----|-----------------|-----------|------------------------|---------------|----------------|---------------|
| | | | | | | | L | A | H | | | | | | |
| 5211966600 | EDM-100 S 12V | 2100 | 7 | 12 | 85 | 37 | 155 | 98 | 155 | 100 | 0,48 | Clase III / IP57 | 6 | E21 | 61,76 |
| 5211965800 | EDM-100 C 12V | 2100 | 11 | 12 | 85 | 37 | 155 | 98 | 155 | 100 | 0,48 | Clase III / IP57 | 6 | E21 | 86,09 |
| 5210308200 | KIT EDM-100 S 12V + CT-12/14 | | | | | | | | | | | | 1 | E21 | 125,70 |
| 5210309000 | KIT EDM-100 S 12V + CT-12/14 R | | | | | | | | | | | | 1 | E21 | 133,86 |
| 5210310800 | KIT EDM-100 C 12V + CT-12/14 | | | | | | | | | | | | 1 | E21 | 149,11 |
| 5210311600 | KIT EDM-100 C 12V + CT-12/14 R | | | | | | | | | | | | 1 | E21 | 157,26 |

* Medido a descarga libre.



Serie EDM-200

Ventiladores helicoidales, con caudal aproximado de 180 m³/h, luz piloto de funcionamiento, motor 230V-50Hz, IP44, Clase II, con protector térmico, para trabajar a temperaturas de hasta 40°C.

| Código | Modelo | Velocidad (r.p.m.) | Potencia abs. desc. libre (W) | Tensión (V) 50 Hz | Caudal a desc. libre (m³/h) | Nivel presión sonora (dB(A)) a 1,5 m* | Dimensiones (mm) | | | Ø Conducto (mm) | Peso (kg) | Protección/Aislamiento | Unids. por caja | Grupo producto | Precio €/u. |
|------------|------------|--------------------|-------------------------------|-------------------|-----------------------------|---------------------------------------|------------------|-----|-----|-----------------|-----------|------------------------|-----------------|----------------|---------------|
| | | | | | | | L | A | H | | | | | | |
| 5211551600 | EDM-200 S | 2500 | 25 | 230 | 180 | 42 | 186 | 109 | 186 | 120 | 0,9 | Clase II / IPX4 | 4 | E21 | 67,86 |
| 5211552400 | EDM-200 C | 2500 | 25 | 230 | 180 | 42 | 186 | 109 | 186 | 120 | 0,9 | Clase II / IPX4 | 4 | E21 | 90,03 |
| 5211556500 | EDM-200 CR | 2500 | 25 | 230 | 180 | 42 | 186 | 109 | 186 | 120 | 0,9 | Clase II / IPX4 | 4 | E21 | 120,92 |
| 5211553200 | EDM-200 T | 2500 | 25 | 230 | 180 | 42 | 186 | 109 | 186 | 120 | 0,9 | Clase II / IPX4 | 4 | E21 | 98,96 |
| 5211554000 | EDM-200 CT | 2500 | 25 | 230 | 180 | 42 | 186 | 109 | 186 | 120 | 0,9 | Clase II / IPX4 | 4 | E21 | 114,31 |
| 5211558100 | EDM-200 H | 2500 | 25 | 230 | 180 | 42 | 186 | 109 | 186 | 120 | 0,9 | Clase II / IPX2 | 4 | E21 | 130,85 |
| 5211557300 | EDM-200 CH | 2500 | 25 | 230 | 180 | 42 | 186 | 109 | 186 | 120 | 0,9 | Clase II / IPX2 | 4 | E21 | 141,92 |
| 5211555700 | EDM-200 R | 2500 | 25 | 230 | 180 | 42 | 186 | 109 | 186 | 120 | 0,9 | Clase II / IPX4 | 4 | E21 | 109,81 |

* Medido a descarga libre.

PRESTACIONES - MODELOS

| | S | T | H | C | CT | CR | CH |
|------------------------|---|---|---|---|----|----|----|
| Luz piloto | • | • | • | • | • | • | • |
| Temporizador fijo | | • | | | • | | |
| Temporizador regulable | | | | | | • | |
| Persiana automática | | | | • | • | • | • |
| Humidistato regulable | | | • | | | | • |
| Cadena paro-marcha | | | • | | | | • |



Serie ECOAIR DESIGN ECOWATT

Ventiladores centrífugos concebidos para funcionamiento continuo a caudal constante y velocidad lenta, con posibilidad de pasar a velocidad rápida mediante interruptor (modelos S,T) o humidistato incorporado en el aparato (modelos H,M).

Aseguran la renovación permanente de aire en viviendas unifamiliares.

Equipados con motor brushless EC de corriente continua, de rotor externo, de alto rendimiento y bajo consumo, alimentación 90/260V-50/60Hz, protección IPX4, aislamiento Clase II, con rodamientos a bolas, montado sobre silent-blocks elásticos.

Incorporan un filtro desmontable y lavable, montado en la aspiración y fabricado en malla de plástico.

La velocidad mínima, que asegura el caudal constante de 15, 22, 30, 36, 45 ó 54 m³/h, es ajustable mediante microconmutador ubicado en el circuito impreso.

Están concebidos para ser conectados a conductos de 100 mm de diámetro y pueden ser instalados tanto en pared como en techo.

Por su bajo consumo, los extractores de la serie ECOAIR DESIGN están pensados para ser utilizados en aseos, cuartos de baño y pequeñas estancias, especialmente en instalaciones donde el extractor deba estar en funcionamiento permanentemente, lo que reportará un notable ahorro de energía.

KIT ECOAIR DESIGN 17VDC + CT-17/18 ECOWATT

Conjunto MBTS (Muy Baja Tensión de Seguridad), compuesto por un extractor ECOAIR DESIGN 17V y un transformador de seguridad CT-17/18. Kit especialmente diseñado para trabajar dentro de la zona de seguridad al funcionar a una tensión de 17V.

ECOAIR DESIGN: 17VDC, IP57, Clase III.
CT-17/18: 230V-50/60Hz, IPX4, Clase II.



MOTOR DE CORRIENTE CONTINUA



BAJO NIVEL SONORO



FUNCIONAMIENTO PERMANENTE



CAUDAL CONSTANTE



EFICIENCIA ENERGÉTICA



Distintos aspectos logrados con las bandas intercambiables de colores que incorporan los modelos ECOAIR DESIGN ECOWATT

| Modelo | Caudal constante | | Potencia absorbida (W) | | SFP* (W/m ³ /s) | Nivel presión sonora [dB(A)]** | | Peso (kg) |
|---|---------------------|-----|------------------------|------|----------------------------|--------------------------------|------|-----------|
| | (m ³ /h) | l/s | mín. | máx. | | mín. | máx. | |
| ECOAIR DESIGN ECOWATT | 15 | 4 | 1,5 | 4,5 | 360 | <20 | <20 | 0,57 |
| | 22 | 6 | 1,8 | 4,7 | 290 | <20 | 22 | |
| | 30 | 9 | 2,2 | 5,1 | 260 | <20 | 25 | |
| | 36 | 10 | 2,7 | 5,5 | 270 | 21 | 27 | |
| | 45 | 13 | 3,5 | 6,0 | 310 | 25 | 30 | |
| | 54 | 15 | 4,3 | 6,8 | 360 | 30 | 32 | |
| Caudal máximo - Mediante interruptor | | | | | | | | |
| | 65 | 18 | 4,3 | 7,2 | 410 | 32 | 32 | |

* Con un conducto de 2,5 m. de longitud, de 100 mm de diámetro, 2 codos de 90° y una reja GR-100 en la descarga (máx 20 Pa).

** Medido a 4 m. de distancia, en campo libre. El máximo nivel de presión es un valor medido con una pérdida de carga de 40Pa.

| Código | Modelo | Dimensiones (mm) | | | Ø Conducto (mm) | Unidades por caja | Grupo producto | Precio €/u. |
|------------|---------------------------|------------------|-----|-----|-----------------|-------------------|----------------|-------------|
| | | L | A | H | | | | |
| 5210612300 | ECOAIR DESIGN S | 158 | 127 | 158 | 100 | 4 | E21 | 135,66 |
| 5210612400 | ECOAIR DESIGN T | 158 | 127 | 158 | 100 | 4 | E21 | 151,46 |
| 5210612500 | ECOAIR DESIGN H | 158 | 127 | 158 | 100 | 4 | E21 | 171,95 |
| 5210612600 | ECOAIR DESIGN M | 158 | 127 | 158 | 100 | 4 | E21 | 186,17 |
| 5210617300 | KIT ECOAIR DESIGN S 17VDC | 158 | 127 | 158 | 100 | 4 | E21 | 184,00 |
| 5210617400 | KIT ECOAIR DESIGN T 17VDC | 158 | 127 | 158 | 100 | 4 | E21 | 206,61 |
| 5210617500 | KIT ECOAIR DESIGN H 17VDC | 158 | 127 | 158 | 100 | 4 | E21 | 228,91 |
| 5210617600 | KIT ECOAIR DESIGN M 17VDC | 158 | 127 | 158 | 100 | 4 | E21 | 245,05 |

PRESTACIONES - MODELOS

| | S | T | H | M |
|--|---|---|---|---|
| Motor DC | • | • | • | • |
| Caudal constante | • | • | • | • |
| Velocidad rápida mediante interruptor | • | • | | |
| Velocidad rápida mediante humidistato regulable | | | • | • |
| Velocidad rápida mediante interruptor de cadena | | | | • |
| Velocidad rápida temporizada, regulable (entre 1 y 30 minutos) | | • | • | • |

Serie ECOAIR LC ECOWATT

Ventiladores centrífugos domésticos concebidos para trabajar con 2 funcionamientos distintos:

- Funcionamiento continuo a velocidad lenta ajustable, y a velocidad rápida controlable mediante interruptor exterior o interno, según modelos.
- Funcionamiento intermitente a velocidad ajustable.

Equipados con motor brushless EC de corriente continua, de rotor externo, de alto rendimiento y bajo consumo, alimentación 90/260V-50/60Hz, protección IPX4, aislamiento Clase II, con rodamientos a bolas, montado sobre silent-blocks elásticos.

Pueden ser instalados tanto en pared como en techo, conectados a conductos de Ø 100 mm. Incorporan un filtro desmontable y lavable, montado en la aspiración y fabricado en malla de plástico.

5 modelos disponibles

ECOAIR SLC:

Funcionamiento continuo: el extractor funciona a la velocidad lenta ajustada y puede pasar a velocidad rápida mediante interruptor exterior. Funcionamiento intermitente: el extractor se pone en marcha a la velocidad ajustada mediante el interruptor exterior.

ECOAIR TLC:

Funcionamiento continuo: con el mismo funcionamiento que el modelo SLC, con temporización ajustable de la velocidad rápida, entre 1 y 30 minutos. Funcionamiento intermitente: la temporización permite al extractor seguir funcionando una vez accionado el interruptor.

ECOAIR HLC:

Funcionamiento continuo: el paso a la velocidad rápida se hace automáticamente cuando el nivel de humedad en el local supera el valor ajustado. Se puede accionar mediante interruptor exterior. Incorpora temporización.

Funcionamiento intermitente: el extractor se pone en marcha automáticamente cuando el nivel de humedad en el local es superior al valor ajustado. Se puede accionar mediante interruptor exterior. Integra temporización y función "intervalo".

ECOAIR MLC:

funcionamiento idéntico al modelo HLC, pero con interruptor de cordel integrado, en lugar de interruptor externo.

ECOAIR DLC:

Funcionamiento continuo: el extractor pasa a velocidad rápida mediante detector PIR y sigue funcionando el tiempo fijado por la temporización. Funcionamiento intermitente: el extractor se pone en marcha automáticamente cuando detecta movimiento a través del PIR y sigue funcionando según el plazo fijado por la temporización.

KIT ECOAIR LC 17VDC + CT-17/18 ECOWATT

Conjunto MBTS (Muy Baja Tensión de Seguridad), compuesto por un extractor ECOAIR DESIGN 17V y un transformador de seguridad CT-17/18. Kit especialmente diseñado para trabajar dentro de la zona de seguridad al funcionar a una tensión de 17V. ECOAIR DESIGN: 17VDC, IP57, Clase III. CT-17/18: 230V-50/60Hz, IPX4, Clase II.



MOTOR DE CORRIENTE CONTINUA



BAJO NIVEL SONORO



FUNCIONAMIENTO PERMANENTE



CAUDAL CONSTANTE



EFICIENCIA ENERGÉTICA



Incorporan 4 bandas transparentes intercambiables de colores azul, verde, rojo y amarillo, para adaptarse a cualquier diseño y ambiente.



Distintos aspectos logrados con las bandas intercambiables de colores.

| Modelo | Velocidad | Caudal a descarga libre | | Tensión (V) | Potencia abs. máx. (W) | SFP (W/m³/h) | Nivel presión sonora* (dB(A)) | Protección / Aislamiento | Peso (kg) |
|-----------|-----------|-------------------------|-----|-----------------|------------------------|--------------|-------------------------------|--------------------------|-----------|
| | | (m³/h) | l/s | | | | | | |
| ECOAIR LC | Mínima | 15 | 4 | 90/260V-50/60Hz | 0,8 | 0,05 | <20 | IPX4 / Clase II | 0,57 |
| ECOWATT | Máxima | 60 | 17 | | 5,6 | 0,09 | | | |

* Medido a 4 m. de distancia, al máximo caudal, en campo libre.

| Código | Modelo | Dimensiones (mm) | | | Ø Conducto (mm) | Unids. por caja | Grupo producto | Precio €/u. |
|------------|----------------------|------------------|-----|-----|-----------------|-----------------|----------------|-------------|
| | | L | A | H | | | | |
| 5210625600 | ECOAIR SLC | 158 | 127 | 158 | 100 | 4 | E21 | 112,79 |
| 5210625700 | ECOAIR TLC | 158 | 127 | 158 | 100 | 4 | E21 | 124,45 |
| 5210625800 | ECOAIR HLC | 158 | 127 | 158 | 100 | 4 | E21 | 142,89 |
| 5210625900 | ECOAIR MLC | 158 | 127 | 158 | 100 | 4 | E21 | 160,39 |
| 5210626000 | ECOAIR DLC | 158 | 127 | 158 | 100 | 4 | E21 | 152,32 |
| 5210636400 | KIT ECOAIR SLC 17VDC | 158 | 127 | 158 | 100 | 4 | E21 | 161,14 |
| 5210636500 | KIT ECOAIR TLC 17VDC | 158 | 127 | 158 | 100 | 4 | E21 | 179,60 |
| 5210636600 | KIT ECOAIR HLC 17VDC | 158 | 127 | 158 | 100 | 4 | E21 | 199,79 |
| 5210636700 | KIT ECOAIR MLC 17VDC | 158 | 127 | 158 | 100 | 4 | E21 | 219,26 |

PRESTACIONES - MODELOS

| | SLC | TLC | HLC | MLC | DLC |
|---------------------------------|-----|-----------|-----------|-----------|-----------|
| Motor DC | • | • | • | • | • |
| Funcionamiento continuo + boost | • | • | • | • | • |
| Funcionamiento intermitente | • | • | • | • | • |
| Velocidad ajustable | • | • | • | • | • |
| Temporizador regulable | | 1-30 min. | 1-30 min. | 1-30 min. | 1-30 min. |
| Higrostat regulable | | | • | • | |
| Interruptor interno de cadena | | | | • | |
| Detector de presencia | | | | | • |
| Compuerta antirretorno* | • | • | • | • | • |

* Suministrada sin montar. Debe ser instalada cuando el aparato vaya a ser usado en funcionamiento intermitente.



Serie EB-N

Ventiladores centrífugos, con caudal aproximado de 100 m³/h a descarga libre, compuerta antirretorno incorporada, cuerpo y rodete fabricados en polipropileno, motor 230V-50Hz, IPX2, Clase II. Especialmente diseñados para instalaciones en las que haya que vencer pérdidas de carga, para trabajar a temperaturas de hasta 40°C.



| Código | Modelo | Velocidad (r.p.m.) | Potencia absorbida en descarga libre (W) | Tensión (V) 50 Hz | Caudal a descarga libre (m ³ /h) | Nivel presión sonora (dB(A)) a 1,5 m* | Dimensiones (mm) | | | Ø Conducto (mm) | Peso (kg) | Protección/Aislamiento | Unids. por caja | Grupo producto | Precio €/u. |
|------------|-----------|--------------------|--|-------------------|---|---------------------------------------|------------------|-----|-----|-----------------|-----------|------------------------|-----------------|----------------|---------------|
| | | | | | | | L | A | H | | | | | | |
| 5211948600 | EB-100N S | 2000 | 28 | 230 | 100 | 43 | 157 | 123 | 179 | 100 | 1,1 | Clase II / IPX2 | 3 | E21 | 96,30 |
| 5211948700 | EB-100N T | 2000 | 28 | 230 | 100 | 43 | 157 | 123 | 179 | 100 | 1,1 | Clase II / IPX2 | 3 | E21 | 126,49 |

* Medido a descarga libre.

PRESTACIONES - MODELOS

| | S | T |
|------------------------|---|-----------|
| Luz piloto | • | • |
| Compuerta antirretorno | • | • |
| Temporizador regulable | | 5-25 min. |



EBB-170 N y EBB-250 N



EBB-100 N

Serie EBB-N

Ventiladores centrífugos, con caudales de hasta 270 m³/h a descarga libre, compuerta antirretorno incorporada, cuerpo y rodete fabricados en polipropileno, motor 230V-50Hz de 2 velocidades (EBB-100N) ó 3 velocidades (EBB-170N / EBB-250N), IP44, Clase II.

Especialmente diseñados para instalaciones en las que haya que vencer pérdidas de carga, para trabajar a temperaturas de hasta 40°C.



2 VELOCIDADES



3 VELOCIDADES

| Código | Modelo | Velocidad (r.p.m.) | Potencia absorbida (W) | Tensión (V) 50 Hz | Caudal a descarga libre (m ³ /h) | Nivel presión sonora (dB(A)) a 1,5 m* | Dimensiones (mm) | | | Ø Conducto (mm) | Peso (kg) | Aislamiento/Protección | Unids. por caja | Grupo producto | Precio €/u. |
|------------|----------------|--------------------|------------------------|-------------------|---|---------------------------------------|------------------|-----|-----|-----------------|-----------|------------------------|-----------------|----------------|---------------|
| | | | | | | | L | A | H | | | | | | |
| 5211944400 | EBB-100N S | 1500 | 29 | 230 | 110 | 44 | 200 | 130 | 260 | 100/80 | 1,8 | Clase II / IP44 | 3 | E21 | 136,87 |
| 5211944500 | EBB-100N T | 1500 | 29 | 230 | 110 | 44 | 200 | 130 | 260 | 100/80 | 1,8 | Clase II / IP44 | 3 | E21 | 200,04 |
| 5211944600 | EBB-100N HT | 1500 | 29 | 230 | 110 | 44 | 200 | 130 | 260 | 100/80 | 1,8 | Clase II / IP44 | 3 | E21 | 221,10 |
| 5211849800 | EBB-170N HT 3V | 1120 | 48 | 230 | 230 | 43 | 284 | 150 | 337 | 100 | 3 | Clase II / IP44 | 2 | E21 | 259,69 |
| 5211850100 | EBB-250N HT 3V | 1240 | 53 | 230 | 280 | 46 | 284 | 150 | 337 | 100 | 3 | Clase II / IP44 | 2 | E21 | 290,57 |

* Medido en descarga libre.

PRESTACIONES - MODELOS

| EBB-100 N | S | T | HT | EBB-170 N / EBB-250 N | HT |
|---------------------------|---|---|----|--|----|
| 2 Compuertas antirretorno | • | • | • | Compuerta antirretorno | • |
| Filtros | • | • | • | Filtros INOX | • |
| 2 Velocidades | • | • | • | 3 Velocidades | • |
| Temporizador regulable | | • | • | Temporizador regulable | • |
| Higrostat | | | • | Higrostat | • |
| | | | | Interruptor integrado, de 2 posiciones | • |



Serie CK Gama Plástico

Extractores centrífugos, de plástico ignífugo V0, con filtro de acero inoxidable, bandeja recogegrasa, caudales de hasta 625 m³/h a descarga libre, motor 230V-50Hz, Clase II.

| Código | Modelo | Velocidad (r.p.m.) | Potencia abs. desc. libre (W) | Tensión (V) 50 Hz | Caudal a desc. libre (m ³ /h) | N.P.S.* (dB(A)) | Dimensiones (mm) | | | Ø Conducto (mm) | Peso (kg) | Unids. por caja | Grupo producto | Precio €/u. |
|------------|---------|--------------------|-------------------------------|-------------------|--|-----------------|------------------|-----|-----|-----------------|-----------|-----------------|----------------|---------------|
| | | | | | | | L | A | H | | | | | |
| 5211315600 | CK-25 N | 2250 | 25 | 230 | 250 | 50 | 218 | 127 | 304 | 100 | 1,9 | 4 | E20 | 91,17 |
| 5211316400 | CK-40 F | 2350 | 70 | 230 | 360 | 55 | 266 | 162 | 370 | 100 | 2,7 | 3 | E20 | 127,76 |
| 5211319800 | CK-60 F | 2475 | 160 | 230 | 625 | 59 | 294 | 174 | 410 | 120 | 4,7 | 3 | E20 | 189,87 |

*N.P.S.: Nivel de Presión Sonora medido a 1,5 metros, a descarga libre.

| | CK-25 N | CK-40 F | CK-60 F |
|----------------------------|---------|---------|---------|
| Bandeja recogegrasas | • | • | • |
| Reja de protección | • | | |
| Filtro de acero inoxidable | | • | • |
| Desmontable | • | • | • |
| Regulable | • | • | • |
| 2 velocidades | | | • |



Serie CK Gama Metal

Extractores centrífugos, de chapa de acero protegida contra la corrosión por pintura epoxi, filtro de acero inoxidable, bandeja recogegrasa, caudales de hasta 480 m³/h a descarga libre y motor 230V-50Hz, Clase I con toma de tierra.

| Código | Modelo | Velocidad (r.p.m.) | Potencia abs. desc. libre (W) | Tensión (V) 50 Hz | Caudal a desc. libre (m ³ /h) | N.P.S.* (dB(A)) | Dimensiones (mm) | | | Ø Conducto (mm) | Peso (kg) | Unids. por caja | Grupo producto | Precio €/u. |
|------------|---------|--------------------|-------------------------------|-------------------|--|-----------------|------------------|-----|-----|-----------------|-----------|-----------------|----------------|---------------|
| | | | | | | | L | A | H | | | | | |
| 5211402200 | CK-35 N | 2000 | 74 | 230 | 350 | 56 | 230 | 140 | 292 | 110 | 3,2 | 3 | E20 | 113,71 |
| 5211419600 | CK-50 | 1300 | 120 | 230 | 480 | 58 | 315 | 132 | 375 | 115 | 3,5 | 3 | E20 | 153,56 |
| 5211565600 | ECO-500 | 1370 | 89 | 230 | 385 | 52 | 315 | 132 | 375 | 115 | 3,5 | 3 | E20 | 122,58 |

*N.P.S.: Nivel de Presión Sonora medido a 1,5 metros, a descarga libre.

| | CK-35 N | CK-50 | ECO-500 |
|----------------------------|---------|-------|---------|
| Bandeja recogegrasas | • | • | • |
| Reja de protección | • | • | • |
| Filtro de acero inoxidable | • | • | • |
| Desmontable | • | • | • |
| Regulable | | • | • |

**KIT DE EXTRACCION CK-40F**

Kit de extracción de cocina

Composición:

- 1 extractor CK-40F
- 3 m tubo flexible GSA-100
- 2 Bridas de sujeción CX-80/125
- 1 Compuerta antirretorno CM-130

| Código | Modelo | Unidades por caja | Grupo producto | Precio €/u. |
|------------|--------------------------|-------------------|----------------|-------------|
| 5211363600 | KIT DE EXTRACCION CK-40F | 2 | E20 | 160,00 |

**KIT DE EXTRACCION CK-60F**

Kit de extracción de cocina

Composición:

- 1 extractor CK-60F
- 3 m tubo flexible GSA-125
- 2 Bridas de sujeción CX-125/215
- 1 Compuerta antirretorno CM-130
- 1 Conmutador de 2 velocidades REGUL-2

| Código | Modelo | Unidades por caja | Grupo producto | Precio €/u. |
|------------|--------------------------|-------------------|----------------|-------------|
| 5211364400 | KIT DE EXTRACCION CK-60F | 2 | E20 | 242,24 |

Campanas decorativas

**BOX**

Campanas de cocina decorativas.

**Características:**

Compuerta antirretorno.

Filtro metálico.

Selector velocidades/luz.

Evacuación superior.



Reductor de conducto descarga de Ø150 mm a Ø120 mm.

Modos funcionamiento

Salida al exterior



Recirculación con filtro de carbono (accesorio)

| Código | Modelo | Color | Anchura campana (mm) | Ø Tubo descarga (mm) | Caudal (m³/h) | Tensión | Velocidades | Número de motores | Potencia motor (W) | Iluminación | Intensidad total (A) | Nivel presión sonora* (dB (A)) | Unids. por caja | Grupo producto | Precio €/u. |
|------------|----------------|-------|----------------------|----------------------|---------------|--------------|-------------|-------------------|--------------------|-------------|----------------------|--------------------------------|-----------------|----------------|-------------|
| 5215564900 | BOX-600 E INOX | INOX | 600 | 150 | 368 | 230V-50/60Hz | 3 | 1 | 135 | Led 2x2,5W | 0,61 | 50 | 1 | E24 | 283,36 |
| 5215565000 | BOX-700 E INOX | INOX | 700 | 150 | 368 | 230V-50/60Hz | 3 | 1 | 135 | Led 2x2,5W | 0,61 | 50 | 1 | E24 | 293,14 |
| 5215565100 | BOX-900 E INOX | INOX | 900 | 150 | 368 | 230V-50/60Hz | 3 | 1 | 135 | Led 2x2,5W | 0,61 | 50 | 1 | E24 | 307,79 |

* Medido a 1,5 metros, a descarga libre.

**HA**

Campanas de cocina decorativas.

**Características:**

Compuerta antirretorno.

Filtro metálico.

Selector velocidades/luz.

Evacuación superior.

Reductor de conducto descarga de Ø150 mm a Ø120 mm.

Modos funcionamiento

Salida al exterior



Recirculación con filtro de carbono (accesorio)

| Código | Modelo | Color | Anchura campana (mm) | Ø Tubo descarga (mm) | Caudal (m³/h) | Tensión | Velocidades | Número de motores | Potencia motor (W) | Iluminación | Intensidad total (A) | Nivel presión sonora* (dB (A)) | Unids. por caja | Grupo producto | Precio €/u. |
|------------|--------------------|-------|----------------------|----------------------|---------------|--------------|-------------|-------------------|--------------------|-------------|----------------------|--------------------------------|-----------------|----------------|-------------|
| 5215565200 | HA-600 E INOX | INOX | 600 | 150 | 395 | 230V-50/60Hz | 3 | 1 | 90 | Led 2x3W | 0,42 | 56 | 1 | E24 | 190,55 |
| 5215565300 | HA-900 E INOX | INOX | 900 | 150 | 395 | 230V-50/60Hz | 3 | 1 | 90 | Led 2x3W | 0,42 | 56 | 1 | E24 | 214,98 |
| 5215566200 | HA-600 E PLUS INOX | INOX | 600 | 150 | 625 | 230V-50/60Hz | 3 | 1 | 200 | Led 2x2,5W | 0,89 | 54 | 1 | E24 | 327,35 |

* Medido a 1,5 metros, a descarga libre.



ONDA CRISTAL



Campanas de cocina decorativas.



Características:

Compuerta antirretorno.
Filtro metálico.
Selector velocidades/luz.
Evacuación superior.
Reductor de conducto descarga de Ø150 mm a Ø120 mm.

Modos funcionamiento



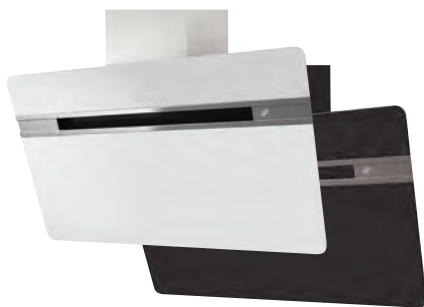
Salida al exterior



Recirculación
con 2 filtros de
carbono
(accesorio)

| Código | Modelo | Color | Anchura campana (mm) | Ø Tubo descarga (mm) | Caudal (m³/h) | Tensión | Velocidades | Número de motores | Potencia motor (W) | Iluminación | Intensidad total (A) | Nivel presión sonora* (dB (A)) | Unids. por caja | Grupo producto | Precio €/u. |
|------------|--------------------|--------------|----------------------|----------------------|---------------|--------------|-------------|-------------------|--------------------|-------------|----------------------|--------------------------------|-----------------|----------------|-------------|
| 5215565900 | ONDA CRISTAL 600 E | INOX/CRISTAL | 600 | 150 | 382 | 230V 50/60Hz | 3 | 1 | 135 | Led 2x2,5W | 0,61 | 50 | 1 | E24 | 332,27 |
| 5215566100 | ONDA CRISTAL 900 E | INOX/CRISTAL | 900 | 150 | 382 | 230V 50/60Hz | 3 | 1 | 135 | Led 2x2,5W | 0,61 | 50 | 1 | E24 | 352,10 |

* Medido a 1,5 metros, a descarga libre.



VA



Campanas de cocina decorativas.



Características:

Compuerta antirretorno.
Filtro metálico.
Selector velocidades/luz.
Evacuación superior.
Reductor de conducto descarga de Ø150 mm a Ø120 mm.
Aspiración frontal.

Modos funcionamiento



Salida al exterior



Recirculación
con filtro de
carbono
(accesorio)

| Código | Modelo | Color | Anchura campana (mm) | Ø Tubo descarga (mm) | Caudal (m³/h) | Tensión | Velocidades | Temporizador | Número de motores | Potencia motor máxima (W) | Iluminación | Intensidad máx. (A) | Nivel presión sonora** (dB (A)) | Unids. por caja | Grupo producto | Precio €/u. |
|------------|-----------------|----------------|----------------------|----------------------|--|--------------|-------------|--------------|-------------------|---------------------------|-------------|---------------------|--------------------------------------|-----------------|----------------|-------------|
| 5215565800 | VA-600 E BLANCA | CRISTAL BLANCO | 600 | 150 | 603 ⁽¹⁾ /757 ⁽²⁾ | 230V-50/60Hz | 3+1* | 15 min. | 1 | 260 | Led 2x2,5W | 1,15 | 53 ⁽¹⁾ /58 ⁽²⁾ | 1 | E24 | 561,85 |
| 5215565700 | VA-900 E BLANCA | CRISTAL BLANCO | 900 | 150 | 603 ⁽¹⁾ /757 ⁽²⁾ | 230V-50/60Hz | 3+1* | 15 min. | 1 | 260 | Led 2x2,5W | 1,15 | 53 ⁽¹⁾ /58 ⁽²⁾ | 1 | E24 | 635,14 |
| 5215565600 | VA-600 E BLACK | CRISTAL NEGRO | 600 | 150 | 603 ⁽¹⁾ /757 ⁽²⁾ | 230V-50/60Hz | 3+1* | 15 min. | 1 | 260 | Led 2x2,5W | 1,15 | 53 ⁽¹⁾ /58 ⁽²⁾ | 1 | E24 | 561,85 |
| 5215565500 | VA-900 E BLACK | CRISTAL NEGRO | 900 | 150 | 603 ⁽¹⁾ /757 ⁽²⁾ | 230V-50/60Hz | 3+1* | 15 min. | 1 | 260 | Led 2x2,5W | 1,15 | 53 ⁽¹⁾ /58 ⁽²⁾ | 1 | E24 | 635,14 |

* 3 velocidades + velocidad TURBO temporizada durante 15 min.

** Medido a 1,5 metros, a descarga libre.

(1) Funcionamiento normal.

(2) Funcionamiento con la velocidad TURBO temporizada.

Campanas tradicionales



HP

Campanas de cocina tradicionales.

Características:

Compuerta antirretorno.
Filtro metálico.
Selector velocidades/luz.
Evacuación superior.

Modos funcionamiento



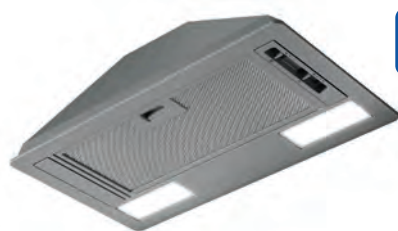
Salida al exterior



Recirculación con filtro de carbono (accesorio)

| Código | Modelo | Color | Anchura campana (mm) | Ø Tubo descarga (mm) | Caudal (m³/h) | Tensión | Velocidades | Número de motores | Potencia motor (W) | Iluminación | Intensidad total (A) | Nivel presión sonora* (dB (A)) | Unids. por caja | Grupo producto | Precio €/u. |
|------------|-----------------------|--------|----------------------|----------------------|---------------|--------------|-------------|-------------------|--------------------|-------------|----------------------|--------------------------------|-----------------|----------------|-------------|
| 5215563300 | HP-60 E MARRON | MARRÓN | 600 | 120 | 205 | 230V-50/60Hz | 3 | 1 | 50 | Led 1x3W | 0,23 | 56 | 1 | E24 | 92,35 |
| 5215563500 | HP-60 E BLANCA | BLANCO | 600 | 120 | 205 | 230V-50/60Hz | 3 | 1 | 50 | Led 1x3W | 0,23 | 56 | 1 | E24 | 92,35 |
| 5215566800 | HP-60 E N PLUS BLANCA | BLANCO | 600 | 120 | 272 | 230V-50/60Hz | 3 | 1 | 115 | Led 2x3W | 0,53 | 59 | 1 | E24 | 137,29 |

* Medido a 1,5 metros, a descarga libre.



GE

Campanas de cocina tradicionales.

Campana tipo empotrable.

Características:

Compuerta antirretorno.
Filtro metálico.
Selector velocidades/luz.
Evacuación superior.

Modos funcionamiento



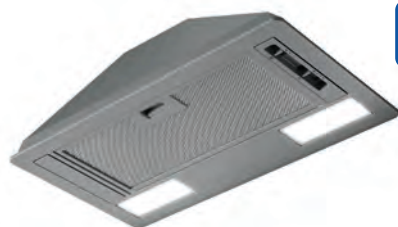
Salida al exterior



Recirculación con filtro de carbono (accesorio)

| Código | Modelo | Color | Anchura campana (mm) | Ø Tubo descarga (mm) | Caudal (m³/h) | Tensión | Velocidades | Número de motores | Potencia motor (W) | Iluminación | Intensidad total (A) | Nivel presión sonora* (dB (A)) | Unids. por caja | Grupo producto | Precio €/u. |
|------------|-----------------|-------|----------------------|----------------------|---------------|--------------|-------------|-------------------|--------------------|-------------|----------------------|--------------------------------|-----------------|----------------|-------------|
| 5215566900 | GE-60 E N METAL | GRIS | 600 | 120 | 224 | 230V-50/60Hz | 3 | 1 | 75 | Led 2x3W | 0,35 | 42 | 1 | E24 | 136,16 |

* Medido a 1,5 metros, a descarga libre.



GL

Campanas de cocina tradicionales.

Campana tipo empotrable.

Características:

Compuerta antirretorno.
Filtro metálico.
Selector velocidades/luz.
Evacuación superior.

Modos funcionamiento



Salida al exterior



Recirculación con filtro de carbono (accesorio)

| Código | Modelo | Color | Anchura campana (mm) | Ø Tubo descarga (mm) | Caudal (m³/h) | Tensión | Velocidades | Número de motores | Potencia motor (W) | Iluminación | Intensidad total (A) | Nivel presión sonora* (dB (A)) | Unids. por caja | Grupo producto | Precio €/u. |
|------------|----------------------|-------|----------------------|----------------------|---------------|--------------|-------------|-------------------|--------------------|-------------|----------------------|--------------------------------|-----------------|----------------|-------------|
| 5215567000 | GL-60 E N PLUS METAL | GRIS | 600 | 120 | 302 | 230V-50/60Hz | 3 | 1 | 115 | Led 2x3W | 0,53 | 50 | 1 | E24 | 172,21 |

* Medido a 1,5 metros, a descarga libre.

GET



Campanas de cocina tradicionales.
Campana tipo empotrable.

Características:

Compuerta antirretorno.
Filtro metálico.
Evacuación superior.
Selector velocidades/luz.
Evacuación superior.
Visera telescópica filtrante.

Modos funcionamiento



Salida al exterior

Recirculación
con filtro de
carbón
(accesorio)

| Código | Modelo | Color | Anchura campana (mm) | Ø Tubo descarga (mm) | Caudal (m³/h) | Tensión | Velocidades | Número de motores | Potencia motor (W) | Iluminación | Intensidad total (A) | Nivel presión sonora* (dB (A)) | Unids. por caja | Grupo producto | Precio €/u. |
|------------|--------------------|--------|----------------------|----------------------|---------------|--------------|-------------|-------------------|--------------------|-------------|----------------------|--------------------------------|-----------------|----------------|-------------|
| 5215564600 | GET-60 E BLANCA | BLANCO | 600 | 120 | 304 | 230V-50/60Hz | 3 | 1 | 115 | Led 2x3W | 0,53 | 50 | 1 | E24 | 166,12 |
| 5215564500 | GET-60 E INOX | INOX | 600 | 120 | 304 | 230V-50/60Hz | 3 | 1 | 115 | Led 2x3W | 0,53 | 50 | 1 | E24 | 171,00 |
| 5215564400 | GET-60 E PLUS INOX | INOX | 600 | 120 | 368 | 230V-50/60Hz | 3 | 1 | 140 | Led 2x3W | 0,63 | 56 | 1 | E24 | 175,88 |

* Medido a 1,5 metros, a descarga libre.

Filtros para campanas de cocina sin salida al exterior (Instalación recirculación)

| Código filtro | Modelo filtro | Modelos de campanas donde se utilizan los filtros | Grupo producto | Precio €/u. |
|---------------|--|---|----------------|-------------|
| 5416946100 | FILTRO CARBON BOX E, ONDA CRISTAL E (1 unidad) | BOX E INOX ONDA CRISTAL E | E24 | 24,42 |
| 5416946200 | FILTRO CARBON HA E (2 unidades) | HA E INOX | E24 | 48,86 |
| 5416945900 | FILTRO CARBON VA E / HA E PLUS (2 unidades) | HA E PLUS INOX VA E | E24 | 58,63 |
| 5416946300 | FILTRO CARBON HP E (1 unidad) | HP E | E24 | 17,57 |
| 5416024900 | FILTRO CARBON HP E N PLUS (1 unidad) | HP E N PLUS | E24 | 24,42 |
| 5416025000 | FILTRO CARBON GE E N, GL E N, GET E (2 unidades) | GE E N GL E N PLUS GET-E GE-E PLUS | E24 | 24,42 |





436 SL-2002



436 SL-2008



436 SL-2020 ECO



437 SL-2500NA



437 ECOHAND-N



438 COMET-P



438 COMET-S



458 HE-PD



458 HE-N



459 HEC



459 HET



465 CB



490 HTB



440 COR



214 KCTR

Todos los motores incorporados en nuestros productos cumplen con el Reglamento CE nº 640/2009.



Series que cumplen con la Directiva ErP.



SL-2002 AUTOMATIC



SL-2002 AUTOMATIC SILVER



SL-2002

Serie SL-2002

Secamanos por aire caliente, con sistema de seguridad que evita el funcionamiento continuo en caso de que se coloque algún objeto debajo. Incorporan protectores térmicos en el motor y en la resistencia.

| Código | Modelo | Tensión (V) 50 Hz | Potencia (W) | Intensidad (A) | Caudal en desc. libre (m³/h) | Vel. del aire (m/s) | Aislamiento/ Protección | Grado de protección antivandálica | Nivel presión sonora (dB(A)) a 1,5 m | Peso (kg) | Dimensiones (mm) | | | Uds. por caja | Grupo producto | Precio €/u. |
|------------|--------------------------|-------------------|--------------|----------------|------------------------------|---------------------|-------------------------|-----------------------------------|--------------------------------------|-----------|------------------|-----|-----|---------------|----------------|-------------|
| | | | | | | | | | | | L | A | H | | | |
| 5245004600 | SL-2002 AUTOMATIC | 230 | 1835 | 8,5 | 170 | 17 | Clase II / IPX1 | - | 52 | 2,8 | 230 | 145 | 332 | 3 | E20 | 353,51 |
| 5245915300 | SL-2002 AUTOMATIC SILVER | 230 | 1835 | 8,5 | 170 | 17 | Clase II / IPX1 | - | 52 | 2,8 | 230 | 145 | 332 | 3 | E20 | 377,33 |
| 5245003800 | SL-2002 | 230 | 1835 | 8,5 | 170 | 17 | Clase II / IPX1 | - | 52 | 2,8 | 230 | 145 | 332 | 3 | E20 | 298,48 |

| Prestaciones/Modelo | Material carcasa | Puesta en marcha | Parada | Color |
|--------------------------|-------------------|----------------------|----------------------|--------|
| SL-2002 AUTOMATIC | ABS Policarbonato | Célula fotoeléctrica | Al retirar las manos | Blanco |
| SL-2002 AUTOMATIC SILVER | ABS Policarbonato | Célula fotoeléctrica | Al retirar las manos | Plata |
| SL-2002 | ABS Policarbonato | Pulsador | Temporizador 45s | Blanco |



SL-2008



SL-2008 AUTOMATIC



SL-2008 AUTOMATIC SILVER

Serie SL-2008

Secamanos por aire caliente, con sistema de seguridad que evita el funcionamiento continuo en caso de que se coloque algún objeto debajo. Incorporan protectores térmicos en el motor y en la resistencia.

| Código | Modelo | Tensión (V) 50 Hz | Potencia (W) | Intensidad (A) | Caudal en descarga libre (m³/h) | Vel. del aire (m/s) | Aislamiento/ Protección | Nivel presión sonora (dB(A)) a 1,5 m | Peso (kg) | Dimensiones (mm) | | | Uds. por caja | Grupo producto | Precio €/u. |
|------------|--------------------------|-------------------|--------------|----------------|---------------------------------|---------------------|-------------------------|--------------------------------------|-----------|------------------|-----|-----|---------------|----------------|-------------|
| | | | | | | | | | | L | A | H | | | |
| 5245916200 | SL-2008 | 230 | 1875 | 8,5 | 170 | 17 | Clase II / IPX1 | 52 | 2,8 | 212 | 155 | 332 | 1 | E20 | 289,96 |
| 5245916300 | SL-2008 AUTOMATIC | 230 | 1875 | 8,5 | 170 | 17 | Clase II / IPX1 | 52 | 2,8 | 212 | 155 | 332 | 1 | E20 | 343,42 |
| 5245916400 | SL-2008 AUTOMATIC SILVER | 230 | 1875 | 8,5 | 170 | 17 | Clase II / IPX1 | 52 | 2,8 | 212 | 155 | 332 | 1 | E20 | 366,54 |

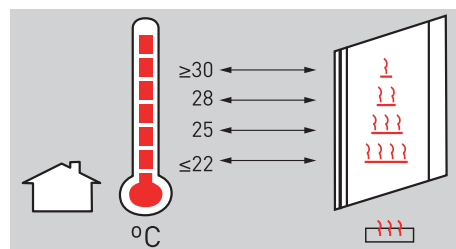
| Prestaciones/Modelo | Material carcasa | Puesta en marcha | Parada | Color |
|--------------------------|-------------------|----------------------|----------------------|--------|
| SL-2008 | ABS Policarbonato | Pulsador | Temporizador 45s | Blanco |
| SL-2008 AUTOMATIC | ABS Policarbonato | Célula fotoeléctrica | Al retirar las manos | Blanco |
| SL-2008 AUTOMATIC SILVER | ABS Policarbonato | Célula fotoeléctrica | Al retirar las manos | Plata |



CONSTRUCCIÓN ANTIVANDÁLICA

Serie SL-2020 ECO

Secamanos por aire caliente, con motor brushless de alta velocidad. Sistema de seguridad que evita el funcionamiento continuo en caso de que se coloque algún objeto debajo. Protectores térmicos en el motor y en la resistencia. Autorregulación de potencia eléctrica según la temperatura ambiente de la estancia.



| Temperatura habitación | Potencia total eléctrica |
|------------------------|--------------------------|
| ≤ 22°C | 1000W |
| 22 - 27°C | 750W |
| 27 - 30°C | 530W |
| ≥ 30°C | 250W |

| Código | Modelo | Tensión (V) 50 Hz | Potencia motor (W) | Potencia total (W) | Intensidad (A) | Grado de protección antivandálica | Velocidad del aire (m/s) | Aislamiento/ Protección | Nivel presión sonora (dB(A)) a 1,5 m | Peso (kg) | Dimensiones (mm) | | | Uds. por caja | Grupo producto | Precio €/u. |
|------------|-------------|-------------------|--------------------|--------------------|----------------|-----------------------------------|--------------------------|-------------------------|--------------------------------------|-----------|------------------|-----|-----|---------------|----------------|-------------|
| | | | | | | | | | | | L | A | H | | | |
| 5245003900 | SL-2020 ECO | 230 | 250 | 1000 | 4,5 | IK10 | 23 | Clase I / IP22 | 64 | 3,4 | 185 | 142 | 310 | 1 | E20 | 615,40 |

| Prestaciones/Modelo | Material carcasa | Puesta en marcha | Parada | Color |
|---------------------|---------------------|----------------------|----------------------|-------------|
| SL-2020 ECO | Metálico / Plástico | Sensor fotoeléctrico | Al retirar las manos | Plata/Negro |



Serie SL-2500NA

Secamanos por aire caliente, de configuración antivandálica, con carcasa metálica con protección anticorrosiva, acabado exterior antihuellas y boca orientable 360°.

Grado de protección antivandálica IK10. Incorpora protectores térmicos en el motor y en la resistencia.



CONSTRUCCIÓN ANTIVANDÁLICA

| Código | Modelo | Tensión (V) 50 Hz | Potencia (W) | Intensidad (A) | Caudal (m³/h) | Vel. del aire (m/s) | Aislamiento/ Protección | Grado de protección antivandálica | Nivel de presión sonora (dB(A)) a 1,5 m | Material carcasa | Puesta en marcha | Parada | Dimensiones (mm) | Peso (kg) | Color | Uds. por caja | Grupo producto | Precio €/u. |
|------------|-----------|-------------------|--------------|----------------|---------------|---------------------|-------------------------|-----------------------------------|---|--|-----------------------|----------------------|------------------|-----------|---------|---------------|----------------|-------------|
| 5245916600 | SL-2500NA | 220-240 | 2500 | 11,5 | 270 | 30 | Clase I / IPX1 | IK10 | 55 | Metálica, con protección anticorrosión | Célula foto-eléctrica | Al retirar las manos | 240x270x192 | 5,5 | Cromado | 4 | E20 | 360,48 |



ECOHAND-N

Secamanos pensado para uso comercial (despachos, oficinas, talleres, ...) y público (hoteles, gimnasios, piscinas, etc.).

Características

Especial diseño que evita que el agua se derrame por el suelo.

Gran rapidez de secado: 12 segundos.

Funcionamiento automático. Control por sensor infrarrojo inteligente que permite encendido y apagado automáticos.

Motor brushless de larga vida útil (sin escobillas de carbono).

Grado de protección antivandálica IK10.

Indicador luminoso LED: muestra proceso y tiempo de secado.

Filtro de entrada de aire.

Cubeta de recogida de agua de fácil acceso, que

facilita la limpieza y el mantenimiento. Emisiones de CO₂ reducidas. Produce menos residuos, ya que no utiliza escobillas de carbono. Bajo consumo energético: puede ahorrar el 80% de consumo de energía, en comparación con los secamanos tradicionales.



EFICIENCIA ENERGÉTICA



CONSTRUCCIÓN ANTIVANDÁLICA

| Código | Modelo | Tensión (V) 50-60Hz | Potencia (W) | Intensidad (A) | Velocidad del aire (Km/h) | Aislamiento/ Protección | Grado de protección antivandálica | Nivel de presión sonora (dB(A)) a 1,5 m | Capacidad depósito agua (ml) | Dimensiones (mm) | Peso (kg) | Color | Uds. por caja | Grupo producto | Precio €/u. |
|------------|-----------|---------------------|--------------|----------------|---------------------------|-------------------------|-----------------------------------|---|------------------------------|------------------|-----------|--------|---------------|----------------|-------------|
| 5245916900 | ECOHAND-N | 220-240 | 700 | 3,5 | 360 | Clase I / IP22 | IK10 | 80 | 250 (+/- 5%) | 650x292x250 | 11 | Blanco | 1 | E20 | 1.257,52 |

ACCESORIOS ESPECÍFICOS

| Código | Modelo | Grupo producto | Precio €/u. |
|------------|------------------|----------------|-------------|
| | Filtro | | |
| 5416947520 | FILTRO ECOHAND-N | E20 | 25,85 |



COMET-P

Secadores murales de cabello, de tipo pistola, para uso doméstico o comunitario (hoteles, gimnasios, piscinas, ...), fáciles de instalar. Dispone de 2 velocidades de secado y pulsador continuo de seguridad: para evitar que el aparato permanezca funcionando después de ser utilizado, únicamente se pone en funcionamiento mientras se presiona el pulsador de seguridad. Una vez instalado no puede desmontarse del soporte sin herramientas especiales: ésto evita el riesgo de robo o uso inadecuado. Tomas de conexión internacionales (110V - 230V).

| Código | Modelo | Tensión (V) 50Hz | Potencia (W) | Intensidad (A) | Caudal (m³/h) | Vel. del aire (m/s) | Aislamiento/Protección | Indicador luminoso | Puesta en marcha | Parada | Longitud cable (m) | Peso (kg) | Color | Uds. por caja | Grupo producto | Precio €/u. |
|------------|---------|------------------|--------------|----------------|---------------|---------------------|------------------------|--------------------|--------------------------------|--------------------------------|--------------------|-----------|--------|---------------|----------------|--------------|
| 5240035000 | COMET-P | 220-240 | 1200 | 5,5 | 71 | 13 | Clase II / IPX0 | SI | Pulsador continuo de seguridad | Pulsador continuo de seguridad | 1 | 1,5 | Blanco | 3 | E20 | 65,70 |



COMET-S

Secador de cabello ultrarápido y ligero tipo profesional. Combina tres potencias de secado con dos velocidades de funcionamiento. Incluye boquilla fina extraíble y pulsador de aire frío, para poder moldear distintos estilos.

Soporte COMET-S

| Código | Modelo | Tensión (V) 50-60Hz | Potencia máxima (W) | Intensidad (A) | Caudal (m³/h) | Vel. del aire (m/s) | Aislamiento/Protección | Boquilla fina (extraíble) | Velocidades de secado | Potencias de secado | Longitud cable (m) | Peso (kg) | Color | Uds. por caja | Grupo producto | Precio €/u. |
|------------|-----------------|---------------------|---------------------|----------------|---------------|---------------------|------------------------|---------------------------|-----------------------|---------------------|--------------------|-----------|------------|---------------|----------------|--------------|
| 5240025700 | COMET-S | 230 | 1850 | 8,7 | 274 | 12 | Clase II / IPX0 | SI | 2 | 3 | 1,65 | 0,55 | Negro mate | 3 | E20 | 37,12 |
| 5240025800 | SOPORTE COMET-S | | | | | | | | | | | 0,3 | Metálico | 1 | E20 | 21,72 |

Comerciales Murales



440 COR-N



441 COR-N RF



442 COR-PRO



442 COR-PRO-N

NOVEDAD



443 COR-NW



443 COR-PRO-N W

NOVEDAD

Comerciales Verticales



444 COR-PRO-V

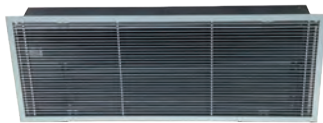


445 COR-PRO-V W

Comerciales Falso Techo



446 COR-FT

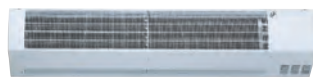


447 COR-FTW

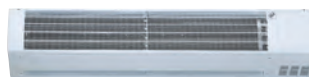
Industriales Murales



448 COR-IND M



448 COR-IND MW



449 COR-IND

De Ventana



449 COR-S

Cortinas de aire comerciales murales

Serie COR-N

Cortinas de aire murales para instalar en recintos comerciales.

Características

Para instalar hasta 3 m de altura.
Rodete tangencial de alto rendimiento y bajo nivel sonoro. Posibilidad de instalación en serie. Velocidad muy lenta para casos en que se necesita mayor temperatura de salida del aire (modelos de aire caliente).



| Código | Modelo | Tensión (50 Hz) (V) | Potencia calorífica (kW) | Potencia motor (W) | Velocidades | Caudal (m³/h) | | | Vel. salida aire¹ (m/s) a 0,05 m | ΔT Máximo (°C) | | | Nivel presión sonora² (dB(A)) | Intensidad absorbida (A) | Fusible térmico | Conexión termostato ambiente | Aire frío / caliente | Peso (kg) | Color | Control remoto³ | Grupo producto | Precio €/u. |
|------------|----------------|---------------------|--------------------------|--------------------|-------------|---------------|-------|-------|----------------------------------|----------------|-------|-------|-------------------------------|--------------------------|-----------------|------------------------------|----------------------|-----------|-----------------|-----------------|----------------|-------------|
| | | | | | | Velocidad | | | | Velocidad | | | | | | | | | | | | |
| | | | | | | rápida | media | lenta | | rápida | media | lenta | | | | | | | | | | |
| 5226633500 | COR-F-1000 N | 230 | | 100 | 2 | 1.400 | | 1.100 | 8 | | | | 48 | 0,5 | | | F | 15 | Blanco RAL 9003 | CR-F | E10 | 662,27 |
| 5226634300 | COR-F-1500 N | 230 | | 200 | 2 | 2.700 | | 2.100 | 8 | | | | 50 | 0,8 | | | F | 20 | Blanco RAL 9003 | CR-F | E10 | 987,30 |
| 5226832100 | COR-F-2000 N | 230 | | 142 | 2 | 2.700 | | 2.200 | 8 | | | | 49 | 0,63 | | | F | 26 | Blanco RAL 9003 | CR-F | E10 | 1.307,40 |
| 5226631900 | COR-3,5-1000 N | 230 | 3,5 | 100 | 3 | 1.400 | 1.100 | 650 | 8 | 7 | 9 | 14 | 48 | 15,5 | • | • | F/C | 16 | Blanco RAL 9003 | CR-3,5 N | E10 | 848,71 |
| 5226632700 | COR-6-1000 N | 3N 400 | 3 / 6 | 100 | 3 | 1.400 | 1.100 | 750 | 8 | 13 | 16 | 23 | 48 | 8,6 | • | • | F/C | 16 | Blanco RAL 9003 | CR-6/9 N | E10 | 1.172,36 |
| 5226632800 | COR-9-1000 N | 3N 400 | 4,5 / 9 | 100 | 3 | 1.300 | 1.100 | 1.000 | 8 | 20 | 24 | 26 | 48 | 13 | • | • | F/C | 16 | Blanco RAL 9003 | CR-6/9 N | E10 | 1.408,89 |
| 5226635000 | COR-9-1500 N | 3N 400 | 4,5 / 9 | 200 | 3 | 2.500 | 2.000 | 1.200 | 8 | 11 | 13 | 22 | 50 | 13 | • | • | F/C | 21 | Blanco RAL 9003 | CR-6/9 N | E10 | 1.766,91 |
| 5226831800 | COR-12-1500 N | 3N 400 | 6 / 12 | 120 | 3 | 2.500 | 1.900 | 1.100 | 8 | 14 | 18 | 32 | 49 | 17,3 | • | • | F/C | 22 | Blanco RAL 9003 | CR-6/9 N | E10 | 2.173,45 |
| 5226831900 | COR-18-2000 N | 3N 400 | 9 / 18 | 200 | 3 | 2.600 | 2.300 | 2.000 | 8 | 20 | 23 | 26 | 49 | 26 | • | • | F/C | 30 | Blanco RAL 9003 | CR-6/9 N | E10 | 2.438,97 |

1. Caudal máximo, medición según AMCA 220.

2. Medido a 3 m de distancia, en campo libre.

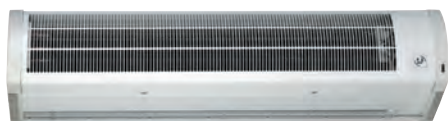
3. Selector remoto de velocidad (CR-F) o de potencia y velocidad (CR-6/9) incluido con el producto.

Serie COR-N
Accesorios específicos

| Código | Modelo | Grupo producto | Precio €/u. |
|------------|--|----------------|-------------|
| | Selector remoto de potencias y velocidades | | |
| 5401284500 | CR-AUTOMATIC | E01 | 332,56 |

Cortinas de aire comerciales murales. Control por radiofrecuencia

Serie COR-N RF



Cortinas de aire murales para instalar en recintos comerciales.

Características

Control remoto incorporado (sin cables).
Para instalar hasta 3 m de altura.
Rodete tangencial de alto rendimiento y bajo nivel sonoro. Posibilidad de instalación en serie. Velocidad muy lenta para casos en que se necesita mayor temperatura de salida del aire (modelos de aire caliente).



Mando RF de COR-N RF, incluido con el producto.
- Control de velocidad.
- Control de potencia calorífica (modelos aire caliente).
- Modo AUTO.

| Código | Modelo | Tensión (50 Hz) (V) | Potencia calorífica (kW) | Potencia motor (W) | Velocidades | Caudal (m³/h) | | | Vel. salida aire¹ (m/s) a 0,05 m | ΔT Máximo (°C) | | | Nivel presión sonora² (dB(A)) | Intensidad absor-bida (A) | Fusible térmico | Aire frío / caliente | Peso (kg) | Color | Grupo producto | Precio €/u. |
|------------|-------------------|---------------------|--------------------------|--------------------|-------------|---------------|-------|-------|----------------------------------|----------------|-------|----|-------------------------------|---------------------------|-----------------|----------------------|-----------|-----------------|----------------|-------------|
| | | | | | | Velocidad | | | | Velocidad | | | | | | | | | | |
| | | | | | | rápida | media | lenta | rápida | media | lenta | | | | | | | | | |
| 5226834100 | COR-F-1000 N RF | 230 | | 100 | 2 | 1.400 | | 1.100 | 8 | | | | 48 | 0,5 | | F | 15 | Blanco RAL 9003 | E10 | 1.003,16 |
| 5226834200 | COR-F-1500 N RF | 230 | | 200 | 2 | 2.700 | | 2.100 | 8 | | | | 50 | 0,8 | | F | 20 | Blanco RAL 9003 | E10 | 1.328,33 |
| 5226834300 | COR-F-2000 N RF | 230 | | 142 | 2 | 2.700 | | 2.200 | 8 | | | | 49 | 0,63 | | F | 26 | Blanco RAL 9003 | E10 | 1.648,51 |
| 5226834400 | COR-3,5-1000 N RF | 230 | 3,5 | 100 | 3 | 1.400 | 1.100 | 650 | 8 | 7 | 9 | 14 | 48 | 15,5 | • | F/C | 16 | Blanco RAL 9003 | E10 | 1.189,68 |
| 5226834500 | COR-6-1000 N RF | 3N 400 | 3 / 6 | 100 | 3 | 1.400 | 1.100 | 750 | 8 | 13 | 16 | 23 | 48 | 8,6 | • | F/C | 16 | Blanco RAL 9003 | E10 | 1.513,43 |
| 5226834600 | COR-9-1000 N RF | 3N 400 | 4,5 / 9 | 100 | 3 | 1.300 | 1.100 | 1.000 | 8 | 20 | 24 | 26 | 48 | 13 | • | F/C | 16 | Blanco RAL 9003 | E10 | 1.750,06 |
| 5226834700 | COR-9-1500 N RF | 3N 400 | 4,5 / 9 | 200 | 3 | 2.500 | 2.000 | 1.200 | 8 | 11 | 13 | 22 | 50 | 13 | • | F/C | 21 | Blanco RAL 9003 | E10 | 2.108,18 |
| 5226834800 | COR-12-1500 N RF | 3N 400 | 6 / 12 | 120 | 3 | 2.500 | 1.900 | 1.100 | 8 | 14 | 18 | 32 | 49 | 17,3 | • | F/C | 22 | Blanco RAL 9003 | E10 | 2.514,88 |
| 5226834000 | COR-18-2000 N RF | 3N 400 | 9 / 18 | 200 | 3 | 2.600 | 2.300 | 2.000 | 8 | 20 | 23 | 26 | 49 | 26 | • | F/C | 30 | Blanco RAL 9003 | E10 | 2.780,49 |

1. Caudal máximo, medición según AMCA 220.

2. Medido a 3 m de distancia, en campo libre.

Serie COR-N RF
Accesorios específicos

| Código | Modelo | Grupo producto | Precio €/u. |
|------------|--------------------------------|----------------|-------------|
| | Contacto magnético para puerta | | |
| 5401635400 | CR-MAGNET | E10 | 40,67 |

Cortinas de aire comerciales murales con batería eléctrica

Serie COR-PRO



Cortinas de aire murales de altas prestaciones, con batería eléctrica, para instalar en recintos comerciales.

Características
Para instalación hasta 4 m de altura.

Conjunto motor-ventilador centrífugo de álabes hacia adelante.
Aspiración frontal-superior oculta y descarga vertical orientable.

Bajo demanda

Versiones SM sin mando de control ADVANCE para funcionamiento como "slave".

Control incorporado

- Pantalla táctil.
- Control manual.
- Control automático.
- Programación horaria semanal.
- Modo invierno/verano.
- Comunicación Modbus.



| Código | Modelo | Tensión 50Hz (V) | Potencia calorífica (kW) | Potencia motor (W) | Intensidad absorbida (A) | Velocidades | Caudal (m³/h) | | | Velocidad salida aire¹ (m/s) | ΔT Máximo² (°C) | | | Nivel presión sonora³ (dB(A)) | Peso (kg) | Color | Grupo producto | Precio €/u. |
|------------|--------------------------|------------------|--------------------------|--------------------|--------------------------|-------------|---------------|-------|-------|------------------------------|--------------------|-------|-------|-------------------------------|-----------|-----------------|----------------|-------------|
| | | | | | | | Velocidad | | | | Velocidad/Potencia | | | | | | | |
| | | | | | | | Rápida | Media | Lenta | | Alta | Media | Lenta | | | | | |
| 5226021700 | COR-PRO 7,5 1000 ADVANCE | 3N 400 | 7,5/5/2,5 | 810 | 12 | 3 | 2.600 | 1.800 | 900 | 9 | 9 | 12 | 25 | 59 | 45 | Blanco RAL 9010 | E10 | 4.567,33 |
| 5226022200 | COR-PRO 15 1500 ADVANCE | 3N 400 | 15/7,5 | 1.080 | 23,3 | 3 | 3.650 | 2.400 | 1.200 | 9 | 12 | 19 | 37 | 62 | 69 | Blanco RAL 9010 | E10 | 5.392,49 |

1. Caudal máximo, medición según AMCA 220.

2. Valores con las siguientes condiciones: potencia máxima y temperatura de entrada de aire +15°C

3. Medido a 3 m de distancia, campo libre.

Serie COR-PRO-N **NOVEDAD**

Cortinas de aire murales de altas prestaciones, con batería eléctrica, para instalar en recintos comerciales.

Características
Para instalación hasta 4 m de altura.

Conjunto motor-ventilador centrífugo de álabes hacia adelante.
Aspiración frontal y descarga vertical orientable.

Bajo demanda

Versiones SM sin mando de control ADVANCE para funcionamiento como "slave".



| Código | Modelo | Tensión 50Hz (V) | Potencia calorífica (kW) | Potencia motor (W) | Intensidad absorbida (A) | Velocidades | Caudal (m³/h) | | | Velocidad salida aire¹ (m/s) | ΔT Máximo² (°C) | | | Nivel presión sonora³ (dB(A)) | Peso (kg) | Color | Grupo producto | Precio €/u. |
|------------|----------------------------|------------------|--------------------------|--------------------|--------------------------|-------------|---------------|-------|-------|------------------------------|--------------------|-------|-------|-------------------------------|-----------|-----------------|----------------|-------------|
| | | | | | | | Velocidad | | | | Velocidad/Potencia | | | | | | | |
| | | | | | | | Rápida | Media | Lenta | | Alta | Media | Lenta | | | | | |
| 5226027400 | COR-PRO 5 1000 N ADVANCE | 3N 400 | 5/2,5 | 810 | 8,4 | 3 | 2.600 | 1.800 | 900 | 9 | 6 | 8 | 17 | 59 | 45 | Blanco RAL 9010 | E10 | 5.168,00 |
| 5226027500 | COR-PRO 7,5 1000 N ADVANCE | 3N 400 | 7,5/5/2,5 | 810 | 12 | 3 | 2.600 | 1.800 | 900 | 9 | 9 | 12 | 35 | 59 | 45 | Blanco RAL 9010 | E10 | 5.225,00 |
| 5226027600 | COR-PRO 7,5 1500 N ADVANCE | 3N 400 | 7,5/5/2,5 | 1.080 | 12,3 | 3 | 3.650 | 2.400 | 1.200 | 9 | 6 | 9 | 19 | 62 | 69 | Blanco RAL 9010 | E10 | 5.931,80 |
| 5226027700 | COR-PRO 10 1500 N ADVANCE | 3N 400 | 10/5 | 1.080 | 16 | 3 | 3.650 | 2.400 | 1.200 | 9 | 8 | 12 | 25 | 62 | 69 | Blanco RAL 9010 | E10 | 5.981,20 |
| 5226027800 | COR-PRO 15 1500 N ADVANCE | 3N 400 | 15/7,5 | 1.080 | 23,3 | 3 | 3.650 | 2.400 | 1.200 | 9 | 12 | 19 | 37 | 62 | 69 | Blanco RAL 9010 | E10 | 6.091,40 |
| 5226027900 | COR-PRO 15 2000 N ADVANCE | 3N 400 | 15/7,5 | 1.350 | 23,6 | 3 | 5.250 | 3.500 | 1.750 | 9 | 9 | 13 | 26 | 62 | 86 | Blanco RAL 9010 | E10 | 6.923,60 |
| 5226028000 | COR-PRO 20 2000 N ADVANCE | 3N 400 | 20/12,5/7,5 | 1.350 | 30,9 | 3 | 5.250 | 3.500 | 1.750 | 9 | 11 | 17 | 34 | 62 | 86 | Blanco RAL 9010 | E10 | 7.204,80 |
| 5226028100 | COR-PRO 25 2500 N ADVANCE | 3N 400 | 25/15/10 | 1.620 | 38,5 | 3 | 6.380 | 4.300 | 2.150 | 9 | 11 | 17 | 35 | 65 | 111 | Blanco RAL 9010 | E10 | 8.576,60 |

1. Caudal máximo, medición según AMCA 220.

2. Valores con las siguientes condiciones: potencia máxima y temperatura de entrada de aire +15°C

3. Medido a 3 m de distancia, campo libre.

Accesorios Series COR-PRO, COR-PRO-N, COR-PRO-NW, COR-PRO-V y COR-PRO-V W

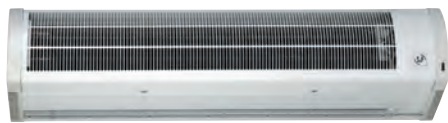
| Código | Modelo | Grupo producto | Precio €/u. |
|------------|---|----------------|-------------|
| | Contacto magnético para puerta | | |
| 5401219500 | CR-MAGNET COR-PRO | E10 | 87,11 |
| | Cable conexión de 10 m entre cortina de aire y control remoto | | |
| 5401219600 | RJ45-10 COR-PRO | E10 | 33,00 |

Accesorios únicamente para las Series COR-PRO, COR-PRO-N y COR-PRO-N W

| Código | Modelo | Grupo producto | Precio €/u. |
|------------|--|----------------|-------------|
| | Soporte para instalación horizontal en pared | | |
| 5401219700 | SOP.COR-PRO | E10 | 77,01 |
| 5401223600 | SOP.COR-PRO 2500 | E10 | 80,85 |

Cortinas de aire comerciales murales con batería de agua

Serie COR-NW



Cortinas de aire murales, con batería de agua, para instalar en recintos comerciales.

Características

Para instalar hasta 3 m de altura.
Rodete tangencial de alto rendimiento y bajo nivel sonoro.
Posibilidad de instalación en serie.

| Código | Modelo | Tensión 50Hz (V) | Potencia calorífica (kW) ² | Potencia motor (W) | Velocidades | Caudal (m ³ /h) | | | Velocidad salida aire ¹ (m/s) a 0,05 m | ΔT Máximo ³ (°C) | | | Nivel presión sonora (dB(A)) | Intensidad absor-bida (A) | Caudal agua (l/s) | Conexión rosca gas | Aire frío / caliente | Peso (kg) | Color | Control remoto ⁴ | Grupo producto | Precio €/u. |
|------------|----------------|------------------|---------------------------------------|--------------------|-------------|----------------------------|-------|-------|---|-----------------------------|-------|----|------------------------------|---------------------------|-------------------|--------------------|----------------------|-----------|-----------------|-----------------------------|----------------|-------------|
| | | | | | | Velocidad | | | | Velocidad | | | | | | | | | | | | |
| | | | | | | Rápida | Media | Lenta | Alta | Media | Lenta | | | | | | | | | | | |
| 5226651700 | COR-1000 NW 9 | 230 | 10 | 115 | 3 | 1.600 | 1.000 | 800 | 9 | 18 | 21 | 24 | 48 | 0,5 | 0,12 | 1/2" | F/C | 19 | Blanco RAL 9003 | CR-W | E10 | 1.590,34 |
| 5226652500 | COR-1500 NW 15 | 230 | 16,4 | 180 | 3 | 2.800 | 1.900 | 1.400 | 9 | 19 | 22 | 24 | 50 | 0,8 | 0,20 | 1/2" | F/C | 25 | Blanco RAL 9003 | CR-W | E10 | 2.014,70 |
| 5226832000 | COR-2000 NW 24 | 230 | 21,9 | 160 | 3 | 3.300 | 2.200 | 1.700 | 8 | 20 | 23 | 25 | 48 | 0,7 | 0,30 | 1/2" | F/C | 33 | Blanco RAL 9003 | CR-W | E10 | 2.802,09 |

1. Caudal máximo, medición según AMCA 220.

2. Valores con las siguientes condiciones: temperatura agua 80°C/60°C, velocidad máxima; temperatura de entrada de aire +15°C.

3. Valores con las siguientes condiciones: temperatura agua 80°C/60°C, temperatura de entrada de aire +15°C.

4. Selector remoto de velocidad **incluido con el producto**.

ACCESORIOS ESPECÍFICOS

**Modelo**

Termostato regulador válvula de 3 vías

WCT

(Ver código y precio en Accesorios Generales)

Cortinas de aire comerciales murales con batería de agua

Serie COR-PRO-N W **NOVEDAD**

Cortinas de aire murales de altas prestaciones, con batería de agua, para instalar en recintos comerciales.

Características

Para instalación hasta 4 m de altura.

Conjunto motor-ventilador centrífugo de álabes hacia adelante.

Aspiración frontal y descarga vertical orientable.

Prefiltro EU3 incorporado.

Bajo demanda

Versiónes SM sin mando de control ADVANCE para funcionamiento como "slave".



| Código | Modelo | Tensión 50Hz (V) | Potencia calorífica ¹ (kW) | Caída presión agua ¹ (KPa) | Caudal agua ¹ (l/s) | Potencia motor (W) | Int. absor-bida (A) | Velocidades | Caudal (m ³ /h) | | | Velocidad salida aire ² (m/s) | ΔT máximo ² (°C) | | | Nivel presión sonora ³ (dB(A)) | Conexión agua (NPS/ DN) | Peso (kg) | Color | Grupo producto | Precio €/u. |
|------------|-----------------------------|------------------|---------------------------------------|---------------------------------------|--------------------------------|--------------------|---------------------|-------------|----------------------------|-------|-------|--|-----------------------------|------|----|---|-------------------------|-----------|-----------------|----------------|-------------|
| | | | | | | | | | Velocidad | | | | Velocidad | | | | | | | | |
| | | | | | | | | | Rápida | Media | Lenta | Alta | Media | Baja | | | | | | | |
| 5226028200 | COR-PRO 1000 N W 15 ADVANCE | 230 | 15 | 9,6 | 0,190 | 810 | 3,6 | 3 | 2.600 | 1.800 | 900 | 9 | 18 | 22 | 29 | 59 | 3/4" 20 mm | 45 | Blanco RAL 9010 | E10 | 4.563,80 |
| 5226028300 | COR-PRO 1500 N W 24 ADVANCE | 230 | 24 | 6,5 | 0,310 | 1.080 | 4,8 | 3 | 3.650 | 2.400 | 1.200 | 9 | 21 | 25 | 33 | 62 | 3/4" 20 mm | 69 | Blanco RAL 9010 | E10 | 5.236,40 |
| 5226028400 | COR-PRO 2000 N W 36 ADVANCE | 230 | 36 | 17,2 | 0,460 | 1.350 | 6 | 3 | 5.250 | 3.500 | 1.750 | 9 | 22 | 26 | 34 | 62 | 3/4" 20 mm | 86 | Blanco RAL 9010 | E10 | 5.909,00 |
| 5226028500 | COR-PRO 2500 N W 45 ADVANCE | 230 | 45 | 12,8 | 0,570 | 1.620 | 7,2 | 3 | 6.380 | 4.300 | 2.150 | 9 | 22 | 26 | 34 | 65 | 3/4" 20 mm | 111 | Blanco RAL 9010 | E10 | 7.159,20 |

1. Valores con las siguientes condiciones: temperatura agua 80/60°C, velocidad rápida, temperatura de entrada de aire +15°C.

2. Caudal máximo, medición según AMCA 220.

3. Medido a 3 m de distancia, campo libre.

Serie COR-PRO-N W
Accesorios específicos
(ver en Serie COR-PRO)

Cortinas de aire comerciales verticales con batería eléctrica

Serie COR-PRO-V



Cortinas de aire verticales de altas prestaciones, con batería eléctrica, para instalar en recintos comerciales.

Características

Para instalación en aberturas de hasta 2,5 m (versión V) y 3 m (versión VL).

Conjunto motor-ventilador centrífugo de álabes hacia adelante.

aspiración posterior y descarga lateral.

Versión (R) para instalar en el lado derecho de la puerta mirado desde dentro. Versión (L) para instalación en lado izquierdo.

Bajo demanda

Versiones SM sin mando de control ADVANCE para funcionamiento como "slave".

Control incorporado

- Pantalla táctil.
- Control manual.
- Control automático
- Programación horaria semanal.
- Modo invierno/verano.
- Comunicación Modbus.



| Código | Modelo | Tensión 50Hz (V) | Potencia calorífica (kW) | Potencia motor (W) | Intensidad absorbida (A) | Velocidades | Caudal (m³/h) | | | Velocidad salida aire¹ (m/s) | ΔT Máximo² (°C) | | | Nivel presión sonora³ (dB(A)) | Peso (kg) | Color | Grupo producto | Precio €/u. |
|------------|--------------------------------|------------------|--------------------------|--------------------|--------------------------|-------------|---------------|-------|-------|------------------------------|--------------------|-------|-------|-------------------------------|-----------|-----------------|----------------|-------------|
| | | | | | | | Velocidad | | | | Velocidad/Potencia | | | | | | | |
| | | | | | | | Rápida | Media | Lenta | | Alta | Media | Lenta | | | | | |
| 5226023500 | COR-PRO-V 15 2200 R ADVANCE | 3N 400 | 15/10/5,5 | 875 | 23 | 3 | 3.700 | 2.500 | 1.250 | 9 | 10 | 18 | 36 | 57 | 90 | Blanco RAL 9010 | E10 | 10.012,37 |
| 5226023600 | COR-PRO-V 15 2200 L ADVANCE | 3N 400 | 15/10/5,5 | 875 | 23 | 3 | 3.700 | 2.500 | 1.250 | 9 | 10 | 18 | 36 | 57 | 90 | Blanco RAL 9010 | E10 | 10.012,37 |
| 5226023700 | COR-PRO-V 22,5 2500 R ADVANCE | 3N 400 | 22,5/15/8 | 1.050 | 34 | 3 | 4.200 | 2.840 | 1.420 | 9 | 16 | 23 | 46 | 59 | 100 | Blanco RAL 9010 | E10 | 11.305,33 |
| 5226023800 | COR-PRO-V 22,5 2500 L ADVANCE | 3N 400 | 22,5/15/8 | 1.050 | 34 | 3 | 4.200 | 2.840 | 1.420 | 9 | 16 | 23 | 46 | 59 | 100 | Blanco RAL 9010 | E10 | 11.305,33 |
| 5226024000 | COR-PRO-VL 15 2200 R ADVANCE | 3N 400 | 15/10/5,5 | 1.350 | 24 | 3 | 5.400 | 3.620 | 1.810 | 9 | 8 | 12 | 24 | 60 | 105 | Blanco RAL 9010 | E10 | 11.636,42 |
| 5226024100 | COR-PRO-VL 15 2200 L ADVANCE | 3N 400 | 15/10/5,5 | 1.350 | 24 | 3 | 5.400 | 3.620 | 1.810 | 9 | 8 | 12 | 24 | 60 | 105 | Blanco RAL 9010 | E10 | 11.636,42 |
| 5226024200 | COR-PRO-VL 22,5 2500 R ADVANCE | 3N 400 | 22,5/15/8 | 1.620 | 35 | 3 | 6.480 | 4.320 | 2.170 | 9 | 10 | 15 | 30 | 62 | 115 | Blanco RAL 9010 | E10 | 13.207,93 |
| 5226024300 | COR-PRO-VL 22,5 2500 L ADVANCE | 3N 400 | 22,5/15/8 | 1.620 | 35 | 3 | 6.480 | 4.320 | 2.170 | 9 | 10 | 15 | 30 | 62 | 115 | Blanco RAL 9010 | E10 | 13.207,93 |

1. Caudal máximo, medición según AMCA 220.

2. Valores con las siguientes condiciones: potencia máxima y temperatura de entrada de aire +15°C

3. Medido a 3 m de distancia, campo libre.

Serie COR-PRO-V**Accesorios específicos**

(ver en Serie COR-PRO)

Cortinas de aire comerciales verticales con batería de agua

Serie COR-PRO-V W



Cortinas de aire verticales de altas prestaciones, con batería de agua, para instalar en recintos comerciales.

Características

Para instalación en aberturas de hasta 2,5 m (versión V) y 3 m (versión VL).

Conjunto motor-ventilador centrífugo de álabes hacia adelante.

Aspiración posterior y descarga lateral.

Versión (R) para instalar en el lado derecho de la puerta mirado desde dentro. Versión (L) para instalación en lado izquierdo.

Prefiltro EU3 incorporado.

Bajo demanda

Versiones SM sin mando de control ADVANCE para funcionamiento como "slave".

Control incorporado

- Pantalla táctil.
- Control manual.
- Control automático.
- Programación horaria semanal.
- Modo invierno/verano.
- Comunicación Modbus.



| Código | Modelo | Tensión 50Hz (V) | Potencia calorífica ¹ (kW) | Caida presión agua ¹ (kPa) | Caudal agua ¹ (l/s) | ΔT ¹ (°C) | Potencia motor (W) | Int. abs. (A) | Velocidades | Caudal (m ³ /h) | | | Velocidad salida aire ³ (m/s) | ΔT Máximo ² (°C) | | | Nivel presión sonora ⁴ (dB(A)) | Conexión agua (NPS/DN) | Peso (kg) | Color | Grupo producto | Precio €/u. |
|------------|--------------------------------|------------------|---------------------------------------|---------------------------------------|--------------------------------|----------------------|--------------------|---------------|-------------|----------------------------|-------|-------|--|-----------------------------|-------|-------|---|------------------------|-----------|-----------------|----------------|-------------|
| | | | | | | | | | | Velocidad | | | | Velocidad | | | | | | | | |
| | | | | | | | | | | Rápida | Media | Lenta | | Alta | Media | Lenta | | | | | | |
| 5226024400 | COR-PRO-V 2200 R W 38 ADVANCE | 230 | 38 | 27,1 | 0,46 | 35 | 0.875 | 3,9 | 3 | 3.480 | 2.320 | 1.160 | 9 | 35 | 39 | 48 | 57 | 3/4" 20 mm | 90 | Blanco RAL 9010 | E10 | 8.877,50 |
| 5226024500 | COR-PRO-V 2200 L W 38 ADVANCE | 230 | 38 | 27,1 | 0,46 | 35 | 0.875 | 3,9 | 3 | 3.480 | 2.320 | 1.160 | 9 | 35 | 39 | 48 | 57 | 3/4" 20 mm | 90 | Blanco RAL 9010 | E10 | 8.877,50 |
| 5226024600 | COR-PRO-V 2500 R W 45 ADVANCE | 230 | 45 | 11,9 | 0,54 | 34 | 1.050 | 4,6 | 3 | 4.150 | 2.760 | 1.380 | 9 | 34 | 39 | 48 | 59 | 3/4" 20 mm | 100 | Blanco RAL 9010 | E10 | 10.087,84 |
| 5226024700 | COR-PRO-V 2500 L W 45 ADVANCE | 230 | 45 | 11,9 | 0,54 | 34 | 1.050 | 4,6 | 3 | 4.150 | 2.760 | 1.380 | 9 | 34 | 39 | 48 | 59 | 3/4" 20 mm | 100 | Blanco RAL 9010 | E10 | 10.087,84 |
| 5226024800 | COR-PRO-VL 2200 R W 50 ADVANCE | 230 | 50 | 13,3 | 0,59 | 30 | 1.350 | 5,9 | 3 | 5.100 | 3.400 | 1.700 | 9 | 30 | 36 | 45 | 60 | 1" 25 mm | 110 | Blanco RAL 9010 | E10 | 9.829,19 |
| 5226024900 | COR-PRO-VL 2200 L W 50 ADVANCE | 230 | 50 | 13,3 | 0,59 | 30 | 1.350 | 5,9 | 3 | 5.100 | 3.400 | 1.700 | 9 | 30 | 36 | 45 | 60 | 1" 25 mm | 110 | Blanco RAL 9010 | E10 | 9.829,19 |
| 5226025000 | COR-PRO-VL 2500 R W 56 ADVANCE | 230 | 56 | 10,8 | 0,68 | 31 | 1.620 | 7,1 | 3 | 5.750 | 3.820 | 1.910 | 9 | 31 | 36 | 45 | 62 | 1" 25 mm | 120 | Blanco RAL 9010 | E10 | 11.176,19 |
| 5226025100 | COR-PRO-VL 2500 L W 56 ADVANCE | 230 | 56 | 10,8 | 0,68 | 31 | 1.620 | 7,1 | 3 | 5.750 | 3.820 | 1.910 | 9 | 31 | 36 | 45 | 62 | 1" 25 mm | 120 | Blanco RAL 9010 | E10 | 11.176,19 |

1. Valores con las siguientes condiciones: temperatura agua 80/60°C, velocidad rápida y temperatura de entrada de aire a +15°C.

2. Valores con las siguientes condiciones: temperatura agua 80/60°C y temperatura de entrada de aire a +15°C. El sistema de control podrá limitar la potencia si la temperatura sobrepasa los límites funcionales.

3. Caudal máximo, medición según AMCA 220.

4. Medido a 3 m de distancia, campo libre.

Serie COR-PRO-V W

Accesorios específicos
(ver en Serie COR-PRO)

Cortinas de aire comerciales falso techo

Serie COR-FT



Cortinas de aire de falso techo para instalar en recintos comerciales.

Características

Para instalar hasta 3 m de altura.
Rodete tangencial de alto rendimiento y bajo nivel sonoro.
Posibilidad de instalación en serie.
La reja no se incluye con el producto. Debe pedirse por separado.

| Código | Modelo | Tensión (50 Hz) (V) | Potencia calorífica (kW) | Potencia motor (W) | Velocidades | Caudal (m³/h) | | | Vel. salida aire¹ (m/s) a 0,05 m | ΔT Máximo (°C) | | | | Nivel presión sonora² (dB(A)) | Intensidad absorbida (A) | Fusible térmico | Aire frío / caliente | Peso (kg) | Color reja⁴ | Control remoto³ | Grupo producto | Precio €/u. |
|------------|----------------|---------------------|--------------------------|--------------------|-------------|---------------|-------|-------|----------------------------------|----------------|---------|---------------|---------|-------------------------------|--------------------------|-----------------|----------------------|-----------|----------------------------|-----------------|----------------|-------------|
| | | | | | | Velocidad | | | | Potencia máx. | | Potencia mín. | | | | | | | | | | |
| | | | | | | rápida | media | lenta | | V.ráp. | V.lenta | V.ráp. | V.lenta | | | | | | | | | |
| 5226661600 | COR-F-1000 FT | 230 | | 128 | 2 | 1.700 | | 1.300 | 9 | | | | | 59 | 0,55 | | F | 20 | Blanco RAL 9016 o Aluminio | CR-F | E10 | 1.375,39 |
| 5226662400 | COR-F-1500 FT | 230 | | 164 | 2 | 2.600 | | 2.300 | 9 | | | | | 61 | 0,71 | | F | 30 | Blanco RAL 9016 o Aluminio | CR-F | E10 | 1.852,43 |
| 5226663200 | COR-6-1000 FT | 3N 400 | 3 / 6 | 128 | 3 | 1.600 | 1.300 | 1.000 | 10 | 11 | 18 | 5 | 9 | 59 | 8,6 | • | F/C | 24 | Blanco RAL 9016 o Aluminio | CR-6/9 N | E10 | 1.904,18 |
| 5226828100 | COR-9-1000 FT | 3N 400 | 4,5 / 9 | 128 | 3 | 1.600 | 1.300 | 1.000 | 10 | 16 | 26 | 8 | 13 | 59 | 13 | • | F/C | 24 | Blanco RAL 9016 o Aluminio | CR-6/9 N | E10 | 2.136,45 |
| 5226664000 | COR-9-1500 FT | 3N 400 | 4,5 / 9 | 166 | 3 | 2.400 | 2.100 | 1.700 | 10 | 11 | 15 | 5 | 8 | 61 | 13 | • | F/C | 35 | Blanco RAL 9016 o Aluminio | CR-6/9 N | E10 | 2.616,95 |
| 5226828900 | COR-12-1500 FT | 3N 400 | 6 / 12 | 166 | 3 | 2.400 | 2.100 | 1.700 | 10 | 15 | 21 | 7 | 10 | 61 | 17,3 | • | F/C | 35 | Blanco RAL 9016 o Aluminio | CR-6/9 N | E10 | 2.991,65 |

1. Caudal máximo, medición según AMCA 220.

2. Medido a 3 m de distancia, en campo libre.

3. Selector remoto de velocidad (CR-F) o de potencia y velocidad (CR-6/9) **incluido con el producto.**

4. Disponible también, bajo demanda sin incremento de precio, en color negro RAL 9005. Consultar plazo y precio para el resto de colores de la carta RAL. **La reja no se incluye con el producto. Debe pedirse por separado.**

Serie COR-FT y COR-FTW
Rejas para Cortinas Falso Techo
La reja no se incluye con el producto.
Debe pedirse por separado.

| Código | Modelo | Dimensiones (mm) | Peso (kg) | Grupo producto | Precio €/u. |
|------------|---------------------|------------------|-----------|----------------|-------------|
| 5227000000 | REJA COR-FT-1000 AL | 1148 x 438 x 30 | 5 | E10 | 382,98 |
| 5227000100 | REJA COR-FT-1000 BL | 1148 x 438 x 30 | 5 | E10 | 436,08 |
| 5227000200 | REJA COR-FT-1000 NG | 1148 x 438 x 30 | 5 | E10 | 436,08 |
| 5227000300 | REJA COR-FT-1500 AL | 1755 x 438 x 30 | 7 | E10 | 520,88 |
| 5227000400 | REJA COR-FT-1500 BL | 1755 x 438 x 30 | 7 | E10 | 598,07 |
| 5227000500 | REJA COR-FT-1500 NG | 1755 x 438 x 30 | 7 | E10 | 598,07 |
| 5227000700 | REJA COR-FT-2000 AL | 2299 x 438 x 30 | 10 | E10 | 670,75 |
| 5227000800 | REJA COR-FT-2000 BL | 2299 x 438 x 30 | 10 | E10 | 765,81 |
| 5227001200 | REJA COR-FT-2000 NG | 2299 x 438 x 30 | 10 | E10 | 765,81 |

Cortinas de aire comerciales falso techo con batería de agua

Serie COR-FTW



Cortinas de aire de falso techo, con batería de agua, para instalar en recintos comerciales.

Características

Para instalar hasta 3 m de altura.
Rodete tangencial de alto rendimiento y bajo nivel sonoro.
Posibilidad de instalación en serie.
La reja no se incluye con el producto. Debe pedirse por separado.

| Código | Modelo | Tensión (50 Hz) (V) | Potencia calo- rífica ¹ (kW) | Potencia motor (W) | Veloci- dades | Caudal (m ³ /h) | | | Vel. salida aire ² (m/s) a 0,05 m | ΔT Máximo ³ (°C) | | | Nivel presión sonora ⁴ (dB(A)) | Inten- sidad absor- bida (A) | Caudal agua (l/s) | Conexi- ón rosca gas | Aire frío / caliente | Peso (kg) | Color reja ⁵ | Control remoto ⁶ | Grupo pro- ducto | Precio €/u. |
|------------|-----------------|---------------------------|--|--------------------------|------------------|-------------------------------|-------|-------|--|--------------------------------|-------|-------|--|--|-------------------------|-------------------------------|----------------------------|--------------|----------------------------------|--------------------------------|------------------------|-----------------|
| | | | | | | Velocidad | | | | Velocidad | | | | | | | | | | | | |
| | | | | | | rápida | media | lenta | | rápida | media | lenta | | | | | | | | | | |
| 5226655800 | COR-1000 FTW 10 | 230 | 9,2 | 101 | 3 | 1.322 | 1.025 | 701 | 9 | 22 | 25 | 29 | 60 | 0,46 | 0,12 | 1/2" | F/C | 23 | Blanco RAL 9016 o Aluminio | CR-W | E10 | 1.665,37 |
| 5226656600 | COR-1500 FTW 17 | 230 | 16,0 | 135 | 3 | 2.057 | 1.771 | 1.293 | 8 | 22 | 25 | 29 | 62 | 0,62 | 0,20 | 1/2" | F/C | 34 | Blanco RAL 9016 o Aluminio | CR-W | E10 | 2.162,52 |

1. Valores con las siguientes condiciones: temperatura agua 80°C/60°C, velocidad máxima; temperatura de entrada de aire +15°C.

2. Caudal máximo, medición según AMCA 220.

3. Valores con las siguientes condiciones: temperatura agua 80°C/60°C, temperatura de entrada de aire +15°C.

4. Medido a 3 m de distancia, en campo libre.

5. Disponible también, bajo demanda sin incremento de precio, en color negro RAL 9005. Consultar plazo y precio para el resto de colores de la carta RAL. **La reja no se incluye con el producto. Debe pedirse por separado.**

6. Selector remoto de velocidad **incluido con el producto.**

Series COR-FT y COR-FTW
Rejas para Cortinas Falso Techo
La reja no se incluye con el producto.
Debe pedirse por separado.

| Modelo | Dimensiones (mm) | Peso (kg) |
|---------------------|---------------------|--------------|
| REJA COR-FT-1000 AL | 1148 x 438 x 30 | 5 |
| REJA COR-FT-1000 BL | 1148 x 438 x 30 | 5 |
| REJA COR-FT-1000 NG | 1148 x 438 x 30 | 5 |
| REJA COR-FT-1500 AL | 1755 x 438 x 30 | 7 |
| REJA COR-FT-1500 BL | 1755 x 438 x 30 | 7 |
| REJA COR-FT-1500 NG | 1755 x 438 x 30 | 7 |
| REJA COR-FT-2000 AL | 2299 x 438 x 30 | 10 |
| REJA COR-FT-2000 BL | 2299 x 438 x 30 | 10 |
| REJA COR-FT-2000 NG | 2299 x 438 x 30 | 10 |

(Ver códigos y precios en la página anterior)

**Modelo**

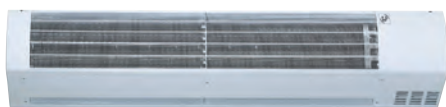
Termostato regulador válvula de 3 vías

WCT

(Ver código y precio en Accesorios Generales)

Cortinas de aire industriales murales de gama media

Serie COR-IND M



Cortinas de aire murales para instalar en recintos industriales.

Características

Para instalar hasta 5 m de altura.
Rodete tangencial de alto rendimiento y bajo nivel sonoro.
Posibilidad de instalación en serie.



ALTURA
INSTALACIÓN

| Código | Modelo | Tensión (50 Hz) (V) | Potencia calorí- fica (kW) | Potencia motor (W) | Veloci- dades | Caudal (m³/h) | | Vel. salida aire¹ (m/s) a 0,05 m | ΔT Máximo (°C) | | | | Nivel presión sonora² (dB(A)) | Inten- sidad absor- bida (A) | Fusible térmico | Aire frio / caliente | Peso (kg) | Color | Control remoto³ | Grupo pro- ducto | Precio €/u. |
|------------|-------------------|---------------------------|-------------------------------------|--------------------------|------------------|------------------|-------|--|-------------------|----------|---------------|----------|--|--|--------------------|----------------------------|--------------------|--------------------|--------------------|------------------------|----------------|
| | | | | | | Velocidad | | | Potencia máx. | | Potencia mín. | | | | | | | | | | |
| | | | | | | rápida | lenta | | V. ráp. | V. lenta | V. ráp. | V. lenta | | | | | | | | | |
| 5226653300 | COR-IND M 1000 F | 230 | | 245 | 2 | 3.400 | 3.000 | 13 | | | | | 55 | 1,1 | F | 40 | Blanco RAL 9003 | CR-20 | E10 | 3.574,05 | |
| 5226654100 | COR-IND M 1500 F | 230 | | 460 | 2 | 4.800 | 4.100 | 14 | | | | | 59 | 2,1 | F | 50 | Blanco RAL 9003 | CR-20 | E10 | 4.634,16 | |
| 5226657400 | COR-IND M 1000/12 | 3N 400 | 6 / 12 | 245 | 2 | 3.200 | 2.500 | 12 | 11 | 14 | 5 | 7 | 55 | 18,4 | • | F/C | 45 | Blanco RAL 9003 | CR-30 | E10 | 5.232,62 |
| 5226658200 | COR-IND M 1500/18 | 3N 400 | 9 / 18 | 460 | 2 | 4.520 | 3.417 | 13,5 | 11 | 12 | 5 | 6 | 59 | 26 | • | F/C | 45 | Blanco RAL 9003 | CR-30 | E10 | 6.579,50 |

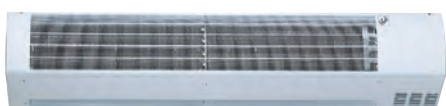
1. Caudal máximo, medición según AMCA 220.

2. Medido a 5 m de distancia, en campo libre.

3. Selector remot de potencia y velocidad, **NO incluido con el producto.**

Cortinas de aire industriales murales de gama media con batería de agua

Serie COR-IND MW



Cortinas de aire murales, con batería de agua, para instalar en recintos industriales.

Características

Para instalar hasta 5 m de altura.
Rodete tangencial de alto rendimiento y bajo nivel sonoro.
Posibilidad de instalación en serie.



ALTURA
INSTALACIÓN

| Código | Modelo | Tensión (50 Hz) (V) | Potencia calorí- fica² (kW) | Potencia motor (W) | Veloci- dades | Caudal (m³/h) | | Vel. salida aire¹ (m/s) a 0,05 m | ΔT Máximo³ (°C) | | Caudal de agua (l/s) | Rosca conexión agua | Nivel presión sonora⁴ (dB(A)) | Inten- sidad absor- bida (A) | Aire frío / caliente | Peso (kg) | Color | Control remoto⁵ | Grupo pro- ducto | Precio €/u. |
|------------|---------------------|---------------------------|--------------------------------------|--------------------------|------------------|------------------|-------|--|--------------------|-------|-------------------------------|---------------------------|--|--|-------------------------|--------------|--------------------|--------------------|------------------------|----------------|
| | | | | | | Velocidad | | | Velocidad | | | | | | | | | | | |
| | | | | | | rápida | lenta | | rápida | lenta | | | | | | | | | | |
| 5226659000 | COR-IND M 1000 W 27 | 230 | 25,5 | 193 | 2 | 2.753 | 2.436 | 10 | 27 | 29 | 0,27 | 3/4" | 55 | 0,9 | F/C | 40 | Blanco RAL 9003 | CR-20 | E10 | 3.732,43 |
| 5226660800 | COR-IND M 1500 W 35 | 230 | 37,8 | 245 | 2 | 3.766 | 3.062 | 9 | 29 | 34 | 0,41 | 3/4" | 59 | 1,08 | F/C | 50 | Blanco RAL 9003 | CR-20 | E10 | 4.731,06 |

1. Caudal máximo, medición según AMCA 220.

2. Valores con las siguientes condiciones: temperatura agua 80°C/60°C, velocidad máxima; temperatura de entrada de aire +15°C.

3. Valores con las siguientes condiciones: temperatura agua 80°C/60°C, temperatura de entrada de aire +15°C.

4. Medido a 5 m de distancia, en campo libre.

5. Selector remoto de potencia y velocidad, **NO incluido con el producto.**

Cortinas de aire industriales murales de gama alta

Serie COR-IND



Cortinas de aire murales para instalar en recintos industriales.

Características

Para instalar hasta 10 m de altura.
Rodete tangencial de alto rendimiento y bajo nivel sonoro.
Posibilidad de instalación en serie.



ALTURA
INSTALACIÓN

| Código | Modelo | Tensión (50 Hz) (V) | Potencia motor (W) | Veloci- dades (A) | Caudal (m³/h) | | Vel. salida aire¹ (m/s) a 0,05 m | Nivel presión sonora² (dB(A)) | Intensidad absorbida (A) | Aire frío / caliente | Peso (kg) | Color | Control remoto³ | Grupo producto | Precio €/u. |
|------------|----------------|---------------------------|--------------------------|-------------------------|------------------|-------|--|--|--------------------------------|----------------------------|--------------|--------------------|--------------------|-------------------|----------------|
| | | | | | Velocidad | | | | | | | | | | |
| | | | | | rápida | lenta | | | | | | | | | |
| 5226643400 | COR-IND 1000 F | 230 | 850 | 2 | 4.500 | 3.600 | 20 | 57 | 4 | F | 40 | Blanco RAL 9003 | CR-20 | E10 | 3.773,70 |
| 5226646700 | COR-IND 1500 F | 230 | 1300 | 2 | 6.500 | 5.800 | 20 | 61 | 6 | F | 50 | Blanco RAL 9003 | CR-20 | E10 | 4.932,36 |

1. Caudal máximo, medición según AMCA 220.

2. Medido a 5 m de distancia, en campo libre.

3. Selector remoto de potencia y velocidad, **NO incluido con el producto**.

Series COR-IND M y COR-IND
Accesorios específicos

| Código | Modelo | Grupo producto | Precio €/u. |
|---|--------|-------------------|----------------|
| Selectores remotos de potencias y/o velocidades | | | |
| 5401299200 | CR-20 | E01 | 82,75 |
| 5401300800 | CR-30 | E01 | 94,60 |

Cortinas de aire de ventana

Serie COR-S



Cortina de aire mural para instalar en espacios reducidos (ventanas).

Características

Para instalar hasta 1,5 m de altura.
Rodete tangencial de alto rendimiento y bajo nivel sonoro.
Posibilidad de instalación en serie.

| Código | Modelo | Tensión (50 Hz) (V) | Potencia calorí- fica (kW) | Potencia motor (W) | Velo- cida- des | Caudal (m³/h) | | Velocidad salida aire (m/s) a 0,05 m | | ΔT Máximo (°C) | | | | Nivel de presión sonora¹ (dB(A)) | Inten- sidad absor- bida (A) | Fusible térmico | Aire frío / caliente | Termost- ato ambien- te | Peso (kg) | Color | Grupo pro- ducto | Precio €/u. |
|------------|-------------|---------------------------|-------------------------------------|--------------------------|-----------------------|------------------|-------|--|-------|-------------------|----------|---------------|----------|--|--|--------------------|----------------------------|----------------------------------|--------------|-----------------|------------------------|----------------|
| | | | | | | Velocidad | | Velocidad | | Potencia máx. | | Potencia mín. | | | | | | | | | | |
| | | | | | | rápida | lenta | rápida | lenta | V. ráp. | V. lenta | V. ráp. | V. lenta | | | | | | | | | |
| 5226665100 | COR-4-900 S | 230 | 2 / 4 | 30,5 | 2 | 409 | 316 | 4 | 3 | 47 | 60 | 24 | 28 | 38 | 18 | • | F / C | • | 7 | Blanco RAL 9003 | E10 | 701,99 |

1. Medido a 3 m de distancia, en campo libre.

AEROTERMOS ELÉCTRICOS



452 EC-N



452 EP-N



453 FIRE FAN

BATERÍAS ELÉCTRICAS DE CALEFACCIÓN



454 MBE



455 MBE-R



456 IBE



456 IBW

PANELES RADIANTES



457 TERMOTECH-HT

INFRARROJOS



458 HE-PD



458 HE-N



459 HEC-3000



459 HET-1800

Todos los motores incorporados en nuestros productos cumplen con el Reglamento CE nº 640/2009.



Series que cumplen con la Directiva ErP.

EMISORES CON FLUIDO



460 EMI-TECH



460 EMI-TECH TERMOWEB



AMORRE ENERGÍA. CONTROLA SU CONSUMO
TermiCueb
SOLER & PALAU
CENTRALITA DE TERMOCONTROL
MOTOR DE BOMBEO DE ALTA PRESIÓN
MOTOR DE BOMBEO DE ALTA PRESIÓN

461 KIT 1 TERMOWEB
(CENTRALITA + MEDIDOR)



462 KIT 2 TERMOWEB
(CENTRALITA + MEDIDOR
+ TERMOSTATO)

PANELES
CONVECTORES



464 PM

INFRARROJOS
DE PARED



464 INFRARED

CALEFACTORES
DE BAÑO



465 CB

CALEFACTORES
HORIZONTALES



466 TL

CALEFACTORES
VERTICALES



467 TL

CALEFACTORES
CERÁMICOS



468 TL-18 PTC
TOWER-2000 PTC

PANELES
RADIANTES



469 RADIANT

CONVECTORES



469 TLS

RADIADORES
DE ACEITE



470 SAHARA-903
SAHARA

Todos los motores incorporados en nuestros productos cumplen con el Reglamento CE nº 640/2009.



Series que cumplen con la Directiva ErP.

Aeroterms eléctricos murales

Serie EC-N



Aeroterms murales de instalación fija, para calentar locales comerciales o industriales.

Características:

- Protección contra salpicaduras de agua.
- IP24.
- Fabricados en chapa de acero pintada.
- Ventilador axial muy silencioso.
- Interruptor posterior que permite seleccionar que el termostato mecánico actúe sobre el ventilador resistencia, o sólo sobre la resistencia (el ventilador funciona permanentemente).
- Contactor.
- Protector térmico.
- Botón de rearme manual (Reset).



| Código | Modelo | Tensión 50Hz** (V) | Potencia total (W) | Potencia calefacción (W) | Intensidad absorbida máxima (A) | Velocidad (r.p.m.) | Caudal máximo (m³/h) | Nivel de presión sonora* dB(A) | Aumento de temperatura (°C) | Vel. aire en descarga (m/s) | Dimensiones (mm) | | | Peso (kg) | Grupo producto | Precio €/u. |
|------------|--------|--------------------|--------------------|--------------------------|---------------------------------|--------------------|----------------------|--------------------------------|-----------------------------|-----------------------------|------------------|-----|-----|-----------|----------------|-------------|
| | | | | | | | | | | | L | A | H | | | |
| 5131029000 | EC-3N | 230 | 3033 | 3000 | 13 | 1300 | 350 | 43 | 26 | 2 | 293 | 300 | 450 | 9.7 | E62 | 401,19 |
| 5131030800 | EC-5N | 3N AC 400 | 5033 | 5000 | 7.2 | 1300 | 450 | 43 | 33 | 2,3 | 293 | 300 | 450 | 9.7 | E62 | 453,35 |
| 5131031600 | EC-9N | 3N AC 400 | 9050 | 9000 | 13 | 1300 | 800 | 49 | 33 | 2,4 | 360 | 375 | 565 | 15 | E62 | 736,64 |
| 5131032400 | EC-12N | 3N AC 400 | 12040 | 12000 | 17.3 | 1370 | 1.100 | 50 | 32 | 3,3 | 360 | 460 | 565 | 17 | E62 | 891,53 |
| 5131033200 | EC-15N | 3N AC 400 | 15040 | 15000 | 21.7 | 1370 | 1.100 | 50 | 40 | 3,3 | 360 | 460 | 565 | 17 | E62 | 923,83 |

* Presión sonora a 1,5 metros, aparato en el suelo.

** Modelo EC-3N: 50-60Hz.

Accesorios específicos

| Código | Modelo | Modelo aeroterms | Nº aparatos comandables | Dimensiones LxAxH (mm) | Grupo producto | Precio €/u. |
|------------|--------|---------------------|-------------------------|------------------------|----------------|-------------|
| 5401289300 | CR-25 | Todos | 5 | 80x57x120 | E60 | 47,43 |
| 5401310700 | TR-1N | EC-3N, EC-5N, EC-9N | 5 | 80x57x120 | E60 | 119,08 |
| 5401291900 | TR-2 | EC-12N, EC-15N | 5 | 113x74x154 | E60 | 199,35 |

Otros accesorios

| Modelo | Modelo aeroterms | Nº aparatos comandables | Dimensiones LxAxH (mm) |
|---------------|------------------|-------------------------|------------------------|
| CR-TEMP | Todos | 5 | 100x95x25 |
| CONTROL ETT-6 | Todos | 6 | 156x110x72 |

(Ver código y precio en accesorios de calefacción industrial y de instalación)

Aeroterms eléctricos portátiles

Serie EP-N



Aeroterms portátiles para calentar locales comerciales e industriales, o para el secado de productos.

Características:

- IP24.
- Fabricados en chapa de acero pintada.
- Asa de desplazamiento.
- Ventilador axial muy silencioso.
- Conmutador que permite regular la ventilación y la calefacción de los aparatos (sólo ventilación; ventilación y resistencia a media potencia; ventilación y resistencia a máxima potencia).

- Termostato mecánico que permite mantener la temperatura deseada del local.
- Interruptor posterior que permite seleccionar que el termostato mecánico actúe sobre el ventilador resistencia, o sólo sobre la resistencia (el ventilador funciona permanentemente).
- Contactor.
- Protector térmico.
- Botón de rearme manual (Reset).



| Código | Modelo | Tensión 50Hz** (V) | Potencia total (W) | Potencia calefacción (W) | Intensidad absorbida máxima (A) | Velocidad (r.p.m.) | Nivel de presión sonora* dB(A) | Caudal máximo (m³/h) | Aumento de temperatura (°C) | Vel. aire en descarga (m/s) | Dimensiones (mm) | | | Peso (kg) | Grupo producto | Precio €/u. |
|------------|--------|--------------------|--------------------|--------------------------|---------------------------------|--------------------|--------------------------------|----------------------|-----------------------------|-----------------------------|------------------|-----|-----|-----------|----------------|-------------|
| | | | | | | | | | | | L | A | H | | | |
| 5131013400 | EP-3N | 230 | 3033 | 3000 | 13 | 1300 | 43 | 350 | 26 | 2 | 395 | 333 | 490 | 7.5 | E62 | 408,77 |
| 5131014200 | EP-5N | 3N AC 400 | 5033 | 5000 | 7,2 | 1300 | 43 | 450 | 33 | 2,3 | 395 | 333 | 490 | 7.5 | E62 | 486,50 |
| 5131015900 | EP-9N | 3N AC 400 | 9050 | 9000 | 13 | 1300 | 49 | 800 | 33 | 2,4 | 495 | 408 | 595 | 10 | E62 | 822,15 |
| 5131016700 | EP-12N | 3N AC 400 | 12040 | 12000 | 17,3 | 1370 | 50 | 1.100 | 32 | 3,3 | 506 | 408 | 600 | 12 | E62 | 944,15 |
| 5131017500 | EP-15N | 3N AC 400 | 15040 | 15000 | 21,7 | 1370 | 50 | 1.100 | 40 | 3,3 | 506 | 408 | 600 | 12 | E62 | 1.005,09 |

* Presión sonora a 1,5 metros, aparato en el suelo.

** Modelo EP-3N: 50-60Hz.

Calentadores portátiles para chimeneas

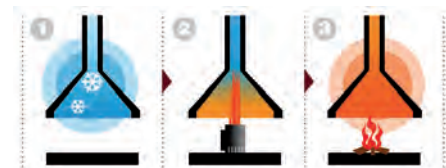
FIRE FAN



Calentador portátil con diseño específico para acondicionar el tiro de las chimeneas en zonas frías.

Características:

- IP20.
- Fabricado en chapa de acero pintada.
- Ventilador axial muy silencioso.
- Interruptor ON/OFF.
- Pie soporte orientable.
- Tacos de goma que permiten apoyarlo en el suelo de la chimenea.
- Protector térmico.

FUNCIÓN CHIMENEA

| Código | Modelo | Tensión 50 Hz (V) | Potencia total (W) | Potencia calefación (W) | Intensidad absorbida máxima (A) | Velo- cidad (r.p.m.) | Caudal máximo (m ³ /h) | Nivel presión sonora* (dB(A)) | Aumento de tem- peratura (°C) | Velocidad aire en descarga (m/s) | Dimensiones (mm) LxAxH | Peso (kg) | Grupo pro- ducto | Precio €/u. |
|------------|-------------------|-------------------------|--------------------------|-------------------------------|--|----------------------------|---|--|--|---|------------------------------|--------------|------------------------|----------------|
| 5226050500 | FIRE FAN P ON/OFF | 230 | 2014 | 2000 | 8,51 | 2125 | 230 | 35 | 42 | 3,2 | 190x174x290 | 2,4 | E60 | 207,69 |

* Presión sonora a 1,5 metros, aparato en el suelo.

Baterías eléctricas de calefacción



MBE

Baterías eléctricas de calefacción para instalar en la descarga de los ventiladores.
La velocidad mínima del aire dentro de la batería debe ser de 1,5 m/s.
Temperatura máxima del aire que circula en la batería: 40°C.

Las baterías se componen de:

- Estructura tubular fabricada en acero galvanizado con juntas estancas en entrada y salida.
- Resistencias blindadas de acero inoxidable AISI-304 / AISI-321.
- Termostato de seguridad automático conectado en

serie con otro termostato de seguridad de rearme manual (RESET). Las resistencias incorporan cable para conectar a red monofásica (modelos 100, 125 y 160) o trifásica (resto de modelos), con circuito de protección alimentado por 230V monofásicos.

- Caja de conexión IP43.

Para el funcionamiento correcto de las baterías eléctricas se requiere el uso de diversos accesorios y elementos de instalación (sonda de temperatura, prestatato de protección, contactores, etc) que se especifican en las instrucciones correspondientes, según la instalación que finalmente se desee realizar.

| Código | Modelo | Potencia (W) | Tensión (V) | Caudal mínimo (m³/h) | Ø (mm) | Regulador* opcional | Grupo producto | Precio €/u. |
|------------|--------------|--------------|-------------|----------------------|--------|---------------------|----------------|-------------|
| 5211800700 | MBE-100/04B | 400 | 1/230 | 50 | 100 | PULSER M | E01 | 249,60 |
| 5211808300 | MBE-100/08B | 800 | 1/230 | 50 | 100 | PULSER M | E01 | 283,44 |
| 5211808400 | MBE-125/04B | 400 | 1/230 | 70 | 125 | PULSER M | E01 | 259,66 |
| 5211808500 | MBE-125/08B | 800 | 1/230 | 70 | 125 | PULSER M | E01 | 300,85 |
| 5211801500 | MBE-125/12B | 1200 | 1/230 | 70 | 125 | PULSER M | E01 | 311,16 |
| 5211808600 | MBE-160/07B | 700 | 1/230 | 110 | 160 | PULSER M | E01 | 315,68 |
| 5211808700 | MBE-160/14B | 1400 | 1/230 | 110 | 160 | PULSER M | E01 | 320,44 |
| 5211802300 | MBE-160/21B | 2100 | 1/230 | 110 | 160 | PULSER M | E01 | 330,43 |
| 5211808800 | MBE-200/21B | 2100 | 1/230 | 170 | 200 | PULSER M | E01 | 409,53 |
| 5211808900 | MBE-200/20T | 2000 | 2/400 | 170 | 200 | PULSER M | E01 | 342,06 |
| 5211809000 | MBE-200/30T | 3000 | 2/400 | 170 | 200 | PULSER M | E01 | 397,83 |
| 5211809100 | MBE-200/40T | 4000 | 2/400 | 170 | 200 | PULSER M | E01 | 451,66 |
| 5211803100 | MBE-200/50T | 5000 | 2/400 | 170 | 200 | PULSER M | E01 | 481,10 |
| 5211809200 | MBE-200/60T | 6000 | 2/400 | 170 | 200 | PULSER M | E01 | 521,98 |
| 5211809300 | MBE-200/90T | 9000 | 3/400 | 170 | 200 | TTC-25/TTC-2000 | E01 | 578,77 |
| 5211809400 | MBE-250/20T | 2000 | 2/400 | 270 | 250 | PULSER M | E01 | 353,60 |
| 5211809500 | MBE-250/30T | 3000 | 2/400 | 270 | 250 | PULSER M | E01 | 413,14 |
| 5211809600 | MBE-250/40T | 4000 | 2/400 | 270 | 250 | PULSER M | E01 | 500,45 |
| 5211809700 | MBE-250/50T | 5000 | 2/400 | 270 | 250 | PULSER M | E01 | 523,09 |
| 5211804900 | MBE-250/60T | 6000 | 2/400 | 270 | 250 | PULSER M | E01 | 573,32 |
| 5211799000 | MBE-250/90T | 9000 | 3/400 | 270 | 250 | TTC-25/TTC-2000 | E01 | 648,75 |
| 5211799100 | MBE-315/30T | 3000 | 2/400 | 430 | 315 | PULSER M | E01 | 450,60 |
| 5211806400 | MBE-315/60T | 6000 | 2/400 | 430 | 315 | PULSER M | E01 | 586,21 |
| 5211805600 | MBE-315/90T | 9000 | 3/400 | 430 | 315 | TTC-25/TTC-2000 | E01 | 671,75 |
| 5211799200 | MBE-315/120T | 12000 | 3/400 | 430 | 315 | TTC-25/TTC-2000 | E01 | 827,51 |
| 5211799300 | MBE-315/150T | 15000 | 3/400 | 430 | 315 | TTC-25/TTC-2000 | E01 | 952,33 |
| 5211799400 | MBE-355/60T | 6000 | 2/400 | 540 | 355 | PULSER M | E01 | 636,45 |
| 5211807200 | MBE-355/90T | 9000 | 3/400 | 540 | 355 | TTC-25/TTC-2000 | E01 | 711,66 |
| 5211807300 | MBE-355/120T | 12000 | 3/400 | 540 | 355 | TTC-25/TTC-2000 | E01 | 853,57 |
| 5211799500 | MBE-355/150T | 15000 | 3/400 | 540 | 355 | TTC-25/TTC-2000 | E01 | 966,62 |
| 5211799600 | MBE-355/180T | 18000 | 3/400 | 540 | 355 | TTC-40F | E01 | 1.047,63 |
| 5211808100 | MBE-400/60T | 6000 | 2/400 | 680 | 400 | PULSER M | E01 | 646,17 |
| 5211808200 | MBE-400/90T | 9000 | 3/400 | 680 | 400 | TTC-25/TTC-2000 | E01 | 758,78 |
| 5211808000 | MBE-400/120T | 12000 | 3/400 | 680 | 400 | TTC-25/TTC-2000 | E01 | 914,57 |
| 5211799700 | MBE-400/150T | 15000 | 3/400 | 680 | 400 | TTC-25/TTC-2000 | E01 | 1.048,29 |
| 5211799800 | MBE-400/180T | 18000 | 3/400 | 680 | 400 | TTC-40F | E01 | 1.165,51 |
| 5211799900 | MBE-500/60T | 6000 | 2/400 | 1.070 | 500 | PULSER M | E01 | 759,45 |
| 5211800000 | MBE-500/90T | 9000 | 3/400 | 1.070 | 500 | TTC-25 | E01 | 920,43 |
| 5211800100 | MBE-500/120T | 12000 | 3/400 | 1.070 | 500 | TTC-25 | E01 | 1.001,66 |
| 5211800200 | MBE-500/150T | 15000 | 3/400 | 1.070 | 500 | TTC-25 | E01 | 1.111,03 |
| 5211800300 | MBE-500/180T | 18000 | 3/400 | 1.070 | 500 | TTC-40F | E01 | 1.230,63 |

* Ver precios de reguladores en páginas de accesorios generales.

**MBE-R**

Baterías eléctricas de calefacción, con regulación incorporada, para instalar en la descarga de los ventiladores.

La velocidad mínima del aire dentro de la batería debe ser de 1,5 m/s.

Temperatura máxima del aire que circula en la batería: 40°C.

Las baterías se componen de:

- Estructura tubular fabricada en acero galvanizado con juntas estancas en entrada y salida.
- Regulación de la batería eléctrica, incorporada.
- Resistencias blindadas de acero inoxidable AISI-304 / AISI-321.

- Termostato de seguridad automático conectado en serie con otro termostato de seguridad de rearme manual (RESET). Las resistencias incorporan cable para conectar a red monofásica (modelos 100,125 y 160) o trifásica (resto de modelos), con circuito de protección alimentado por 230V monofásicos.
- Caja de conexión IP43.

Para el funcionamiento correcto de las baterías eléctricas se requiere el uso de diversos accesorios y elementos de instalación (sonda de temperatura, presostato de protección, contactores, etc) que se especifican en las instrucciones correspondientes, según la instalación que finalmente se desee realizar.

| Código | Modelo | Potencia (W) | Tensión (V) | Caudal mínimo (m³/h) | Ø (mm) | Grupo producto | Precio €/u. |
|---------------------|----------------|--------------|-------------|----------------------|--------|----------------|-----------------|
| 5211780000 | MBE-100/04B-R | 400 | 1/230 | 50 | 100 | E01 | 659,46 |
| 5211781000 | MBE-100/08B-R | 800 | 1/230 | 50 | 100 | E01 | 698,77 |
| 5211781200 | MBE-125/04B-R | 400 | 1/230 | 70 | 125 | E01 | 688,93 |
| 5211781300 | MBE-125/08B-R | 800 | 1/230 | 70 | 125 | E01 | 705,33 |
| 5211781400 | MBE-125/12B-R | 1200 | 1/230 | 70 | 125 | E01 | 721,62 |
| 5211781600 | MBE-160/07B-R | 700 | 1/230 | 110 | 160 | E01 | 740,14 |
| 5211781700 | MBE-160/14B-R | 1400 | 1/230 | 110 | 160 | E01 | 770,80 |
| 5211781800 | MBE-160/21B-R | 2100 | 1/230 | 110 | 160 | E01 | 824,81 |
| 5211782000 | MBE-200/20T-R | 2000 | 2/400 | 170 | 200 | E01 | 775,45 |
| 5211782100 | MBE-200/30T-R | 3000 | 2/400 | 170 | 200 | E01 | 813,06 |
| 5211782200 | MBE-200/40T-R | 4000 | 2/400 | 170 | 200 | E01 | 845,84 |
| 5211782300 | MBE-200/50T-R | 5000 | 2/400 | 170 | 200 | E01 | 903,11 |
| 5211782400 | MBE-200/60T-R | 6000 | 2/400 | 170 | 200 | E01 | 952,25 |
| 5211782600 | MBE-250/20T-R | 2000 | 2/400 | 270 | 250 | E01 | 808,18 |
| 5211782700 | MBE-250/30T-R | 3000 | 2/400 | 270 | 250 | E01 | 845,84 |
| 5211782800 | MBE-250/40T-R | 4000 | 2/400 | 270 | 250 | E01 | 911,34 |
| 5211782900 | MBE-250/50T-R | 5000 | 2/400 | 270 | 250 | E01 | 968,66 |
| 5211783000 | MBE-250/60T-R | 6000 | 2/400 | 270 | 250 | E01 | 1.001,35 |
| 5211783100 | MBE-250/90T-R | 9000 | 3/400 | 270 | 250 | E01 | 1.318,86 |
| 5211783300 | MBE-315/30T-R | 3000 | 2/400 | 430 | 315 | E01 | 894,90 |
| 5211783400 | MBE-315/60T-R | 6000 | 2/400 | 430 | 315 | E01 | 968,66 |
| 5211783500 | MBE-315/90T-R | 9000 | 3/400 | 430 | 315 | E01 | 1.302,61 |
| 5211783600 | MBE-315/120T-R | 12000 | 3/400 | 430 | 315 | E01 | 1.417,13 |
| 5211783800 | MBE-355/60T-R | 6000 | 2/400 | 540 | 355 | E01 | 1.001,35 |
| 5211783900 | MBE-355/90T-R | 9000 | 3/400 | 540 | 355 | E01 | 1.351,64 |
| 5211784000 | MBE-355/120T-R | 12000 | 3/400 | 540 | 355 | E01 | 1.476,56 |
| 5211784200 | MBE-400/60T-R | 6000 | 2/400 | 680 | 400 | E01 | 1.034,12 |
| 5211784300 | MBE-400/90T-R | 9000 | 3/400 | 680 | 400 | E01 | 1.384,46 |
| 5211784400 | MBE-400/120T-R | 12000 | 3/400 | 680 | 400 | E01 | 1.449,90 |
| 5211784500 | MBE-400/150T-R | 15000 | 3/400 | 680 | 400 | E01 | 1.592,29 |
| N 5211784600 | MBE-450/150T-R | 15000 | 3/400 | 860 | 450 | E01 | 1.630,33 |
| 5211784700 | MBE-500/60T-R | 6000 | 2/400 | 1.070 | 500 | E01 | 1.066,83 |
| 5211784800 | MBE-500/90T-R | 9000 | 3/400 | 1.070 | 500 | E01 | 1.433,52 |
| 5211784900 | MBE-500/120T-R | 12000 | 3/400 | 1.070 | 500 | E01 | 1.498,95 |



IBE

Baterías eléctricas de calefacción para instalar en la descarga de los ventiladores.

La velocidad mínima del aire dentro de la batería debe ser de 1,5 m/s.

Temperatura máxima del aire que circula en la batería: 40°C.

Las baterías se componen de:

- Resistencias blindadas, para conexión a red trifásica (3x400).
- Circuito de protección doble que deberá conectarse al circuito de control de la batería mediante termostato de seguridad automático (60°C), conectado en serie con otro termostato de seguridad (120°C) de rearme manual (RESET).
- Caja de conexión IP43.

La instalación se puede completar con sondas de temperatura en el conducto, sondas de temperatura ambiente y reguladores, que nos permitan introducir el aire a la temperatura adecuada a cada necesidad. Mediante este sistema podemos llegar a introducir aire del exterior con un ΔT de hasta 50°.

| Código | Modelo | Potencia (kW) | Tensión de alimentación (V) | Subdivisiones posibles (kW) | Caudal de aire mínimo (m³/h) | Tipo de regulador* opcional | Grupo producto | Precio €/u. |
|------------|---------------|---------------|-----------------------------|-----------------------------|------------------------------|-----------------------------|----------------|-----------------|
| 5132831800 | IBE-200/9T | 9 | 3/400 | 3x3 | 450 | TTC-25 / TTC-2000 | E01 | 969,70 |
| 5132832600 | IBE-225/16,5T | 16,5 | 3/400 | 3x5,5 | 680 | TTC-25 / TTC-2000 | E01 | 1.292,92 |
| 5132835900 | IBE-315/30T | 30 | 3/400 | 4x7,5 | 1.440 | TTC-2000 + TT-S1 | E01 | 1.973,81 |
| 5132836700 | IBE-355/30T | 30 | 3/400 | 4x7,5 | 1.520 | TTC-2000 + TT-S1 | E01 | 2.001,51 |
| 5132837500 | IBE-400/50T | 50 | 3/400 | 3x16,7 | 2.160 | TTC-40F + TT-S4/D | E01 | 3.014,61 |
| 5132838300 | IBE-450/67T | 67 | 3/400 | 4x16,7 | 2.700 | TTC-40F + TT-S4/D | E01 | 3.376,80 |

* Ver precios de reguladores en páginas de accesorios generales.



IBW

Baterías de calefacción de agua caliente, fabricadas en chapa de acero galvanizado.

Tubos de cobre.

Rejas de aluminio.

Bridas rectangulares.

Pueden ser montadas en posición horizontal o vertical.

Presión máxima: 16 bar.

Temperatura máxima: 110°C (130°C a 10 bar).

Como accesorio: Caja filtrante y interruptor de presión para reducir y controlar la suciedad de la batería.

| Código | Modelo | Aire | | | | Agua | | Peso (kg) | Conducto batería (inch) | Termostato (***) | Grupo producto | Precio €/u. | |
|------------|-----------|----------|-------|---------|--------|---------------|----------------|-----------|-------------------------|------------------|----------------|-------------|-----------------|
| | | Potencia | | ΔT aire | | Caudal (m³/h) | Presión (kPa)* | | | | | | Caudal (l/h1) |
| | | (KW1) | (KW2) | (°C)* | (°C)** | | | | | | | | |
| 5132838400 | IBW-200-2 | 10,1 | 5,9 | 25,9 | 15,1 | 1.152 | 1,2 | 435 | 6 | 3/4" | THE 16/4 A | E01 | 460,22 |
| 5132838500 | IBW-200-4 | 17,6 | 11,5 | 45,1 | 29,4 | 1.152 | 3 | 756 | 7 | 3/4" | THE 16/4 A | E01 | 692,44 |
| 5132838600 | IBW-225-2 | 16,5 | 10,2 | 27 | 16,8 | 1.800 | 2,2 | 709 | 7 | 3/4" | THE 16/4 A | E01 | 569,77 |
| 5132838700 | IBW-225-4 | 28,3 | 18,9 | 46,5 | 31,1 | 1.800 | 5,9 | 1.213 | 10 | 3/4" | THE 16/4 A | E01 | 832,62 |
| 5132839200 | IBW-315-2 | 28,4 | 18,2 | 27,8 | 17,8 | 3.024 | 3,6 | 1.228 | 10 | 3/4" | THE 16/4 A | E01 | 797,61 |
| 5132839300 | IBW-315-4 | 48 | 32,4 | 46,9 | 31,7 | 3.024 | 8,3 | 2.063 | 13 | 1" | THE 16/4 A | E01 | 1.157,00 |
| 5132839400 | IBW-355-2 | 42,2 | 26,5 | 31 | 19,4 | 4.032 | 2,9 | 1.821 | 14 | 1" | THE 16/4 A | E01 | 937,85 |
| 5132839500 | IBW-355-3 | 57,8 | 36,5 | 42,4 | 26,8 | 4.032 | 2,4 | 2.476 | 16 | 1" | THE 16/4 A | E01 | 1.192,07 |
| 5132839600 | IBW-400-2 | 62,2 | 40,2 | 31,9 | 20,6 | 5.760 | 4,9 | 2.685 | 20 | 1" | THE 16/4 A | E01 | 1.165,79 |
| 5132839700 | IBW-400-4 | 84,5 | 54,5 | 43,4 | 28 | 5.760 | 3,7 | 3.628 | 25 | 1" | - | E01 | 1.463,77 |
| 5132839800 | IBW-450-2 | 79,8 | 52,7 | 32,8 | 21,6 | 7.200 | 8,7 | 3.424 | 23 | 1" | - | E01 | 1.354,17 |
| 5132839900 | IBW-450-4 | 122 | 82,6 | 42 | 28 | 7.200 | 6,7 | 5.370 | 28,2 | 1" | - | E01 | 1.700,44 |

Temperatura exterior 0°C y temperatura de agua: *80/60°C **60/40°C *** Cuando la bomba no está conectada directamente al calentador de agua.

Paneles radiantes

Serie TERMOTECH-HT



TEMPERATURA

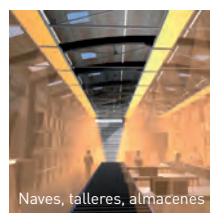
Paneles radiantes de alta temperatura, de 300°C.

Características:

- Instalación fácil, económica y flexible: no necesitan ni cuadros eléctricos ni transformadores. Se pueden añadir paneles a una instalación ya existente.
- Regulables mediante un termostato ambiente.
- Se pueden conectar 2 ó 3 unidades en circuitos diferentes, lo que permite reducir la potencia absorbida en períodos poco fríos.
- Protección contra la humedad: pueden ser instalados en el exterior bajo cubierta.

Aplicaciones específicas

Proporcionar calefacción en recintos de gran altura y/o volumen (naves, talleres, almacenes, instalaciones deportivas).
Dar confort en zonas de trabajo, ubicadas en recintos de mayor dimensión sin calefacción.
Procesos de secado de productos, componentes y materiales.



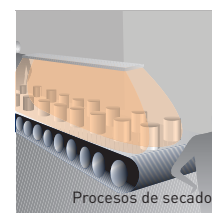
Naves, talleres, almacenes



Zonas de trabajo



Supermercados



Procesos de secado

| Código | Modelo | Tensión 50Hz (V) | Potencia (W) | Intensidad absorbida máxima (A) | | Temp. superf. máx. (°C) | Altura inst. recomen. (m) | Protección | Aislamiento | Dimensiones LxAxH (mm) | Peso (kg) | Grupo producto | Precio €/u. |
|------------|-------------------|-----------------------|--------------|---------------------------------|------|-------------------------|---------------------------|------------|-------------|------------------------|-----------|----------------|-------------|
| | | | | 230V | 400V | | | | | | | | |
| 5226123100 | TERMOTECH-HT-1750 | 230V mono | 1750 | 7,7 | | 300 | 2,5 | IP54 | Clase I | 1675x220x75 | 8 | E60 | 916,21 |
| 5226123200 | TERMOTECH-HT-3500 | 230V mono / 400V 3-N* | 3500 | 16,0 | 9,3 | 300 | 2,5 a 3,5 | IP54 | Clase I | 1675x400x75 | 12 | E60 | 1.059,39 |
| 5226123300 | TERMOTECH-HT-5250 | 230V mono / 400V 3-N | 5250 | 24,0 | 13,5 | 300 | 3,5 a 4,5 | IP54 | Clase I | 1675x570x75 | 16 | E60 | 1.368,58 |

* 2/400: 2 fases.

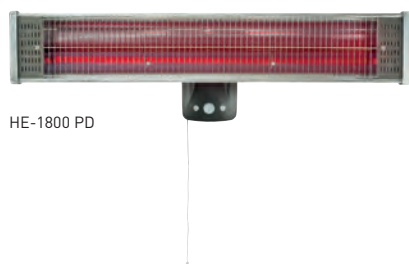
Accesorios

| Modelo |
|---------------|
| CONTROL ETT-6 |

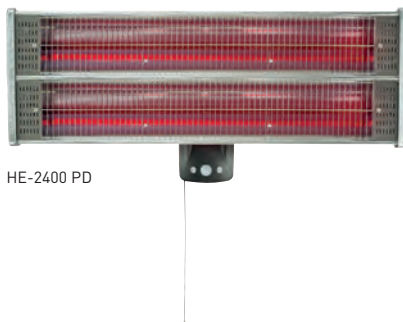
(Ver código y precio en accesorios de calefacción industrial y de instalación)

Infrarrojos

Serie HE-PD



HE-1800 PD



HE-2400 PD

Calefactores infrarrojos murales especialmente diseñados para crear áreas de confort localizado en instalaciones de exterior, preferiblemente bajo cubierta.

Ideal para zona de fumadores.

Características:

- Cuerpo de aluminio y acero inoxidable.
- Calor localizado: calienta solamente a personas y objetos sólidos.
- Lámparas con luz roja que alcanzan la temperatura máxima en pocos segundos.
- Accionamiento mediante tirador, interruptor o por control remoto.
- Los modelos HE-PD incorporan un detector de presencia de unos 3 metros de alcance y 100° de influencia.
- Cuando el sensor no detecta movimiento durante unos 30 segundos, el calefactor se para automáticamente para ahorrar energía.
- El sensor se puede desactivar.

| Código | Modelo | Tensión 50Hz (V) | Potencia (W) | Intensidad absorbida máxima (A) | Número de lámparas | Tipo de lámparas | Tipo de interruptor | Mando a distancia | Detector de presencia | Longitud cable de alimentación (mm) | Aislamiento/ Protección | Orientable | Color | Peso (kg) | Dimensiones L x A x H (mm) | Grupo producto | Precio €/u. |
|------------|------------|------------------|--------------|---------------------------------|--------------------|------------------|---------------------|-------------------|-----------------------|-------------------------------------|-------------------------|------------|----------|-----------|----------------------------|----------------|---------------|
| 5226837800 | HE-1800 PD | 230 | 1800 | 7,8 | 1 | Halógenas | Tirador | • | • | 1900 | Clase I / IP55 | • | Aluminio | 3,3 | 705x320x270 (con soporte) | E60 | 313,86 |
| 5226837900 | HE-2400 PD | 230 | 1200/2400 | 10,4 | 2 | Halógenas | Tirador | • | • | 1900 | Clase I / IP55 | • | Aluminio | 4,5 | 705x320x390 (con soporte) | E60 | 397,62 |

Serie HE-N



HE-1500 N



HE-2200 N

Calefactores especialmente diseñados para crear áreas de confort localizado en instalaciones de exterior, preferiblemente bajo cubierta.

Características:

- Tipo instalación: Pared / Techo / Bajo sombrilla (incluye todos los soportes).
- Cuerpo de aluminio pintado negro.
- Accionamiento mediante panel de control o por control remoto (incluido).
- Lámparas "Golden Tub" de luz suave, sin olores y que alcanzan la temperatura máxima instantáneamente.
- Eficiencia energética de las lámparas: 90%
- Calor localizado: Calienta solamente a personas y objetos sólidos.

| Código | Modelo | Tensión 50Hz (V) | Potencia (W) | Intensidad absorbida máxima (A) | Número de lámparas | Tipo de lámparas | Mando a distancia | Longitud cable de alimentación | Aislamiento/ Protección | Color | Peso (kg) | Dimensiones L x A x H (mm) | Grupo producto | Precio €/u. |
|------------|-----------|------------------|--------------|---------------------------------|--------------------|------------------|-------------------|--------------------------------|-------------------------|-------|-----------|----------------------------|----------------|---------------|
| 5226838300 | HE-1500 N | 230 | 1500 | 6,7 | 1 | Golden Tub | • | 1800 | Clase I / IP55 | Negro | 2,3 | 590x80x220 | E60 | 268,95 |
| 5226838400 | HE-2200 N | 230 | 1100/2200 | 9,7 | 2 | Golden Tub | • | 1800 | Clase I / IP55 | Negro | 3,1 | 1040x80x220 | E60 | 454,46 |

Infrarrojos

HEC-3000



Calefactores infrarrojos portátiles, especialmente diseñados para crear áreas de confort localizado en exteriores.

Características:

- Cuerpo en acero inoxidable.
- Calor localizado: calienta solamente a personas y objetos sólidos.
- Accionamiento mediante interruptor.
- Luz intensa.
- Temperatura máxima instantánea.
- Eficiencia energética de las lámparas: 90%.

| Código | Modelo | Tensión 50Hz (V) | Potencia (W) | Intensidad absorbida máxima (A) | Nº de lámparas | Tipo de lámparas | Aislamiento/ Protección | Longitud cable alimentación (mm) | Color | Peso (kg) | Dimensiones L x A x H (mm) | Grupo producto | Precio €/u. |
|------------|----------|------------------|----------------|---------------------------------|----------------|------------------|-------------------------|----------------------------------|----------|-----------|----------------------------|----------------|---------------|
| 5226833200 | HEC-3000 | 230 | 1200/1800/3000 | 13 | 2 | Halógenas | Clase I / IP44 | 3000 | Aluminio | 14,8 | 750x750x2100 | E60 | 482,37 |

HET-1800



Calefactores portátiles, especialmente diseñados para crear áreas de confort localizado en exteriores.

Características:

- Cuerpo de aluminio y acero inoxidable.
- Accionamiento mediante panel de control o por control remoto (incluido).
- Lámparas con luz suave que alcanzan la temperatura máxima en 3 min.
- Eficiencia energética de las lámparas: 90%.
- Calor localizado: calienta el aire y las personas.

| Código | Modelo | Tensión 50Hz (V) | Potencia (W) | Intensidad absorbida máxima (A) | Nº de lámparas | Tipo de lámparas | Mando a distancia | Aislamiento/ Protección | Longitud cable alimentación (mm) | Color | Peso (kg) | Dimensiones L x A x H (mm) | Grupo producto | Precio €/u. |
|------------|----------|------------------|--------------|---------------------------------|----------------|------------------|-------------------|-------------------------|----------------------------------|----------|-----------|----------------------------|----------------|---------------|
| 5226833300 | HET-1800 | 230 | 900/1800 | 8 | 2 | Carbono | • | Clase I / IP55 | 1900 | Aluminio | 19,5 | 500x240x1595 | E60 | 736,17 |

Emisores con fluido

Serie EMI-TECH



Emisores murales con fluido de alta inercia térmica, digitales programables.

Características

- Estructura de aluminio inyectado.
- Termostato electrónico.
- Modos de programación o configuración:
 - Modo confort ☀
Temperatura programable de 10°C - 30°C.
 - Modo económico 🌙
Temperatura programable de 5°C - 19°C.
 - Modo antihielo ❄
Temperatura programable de 5°C - 10°C.
 - Modo ausencia prolongada 📅

- Configuración temporizada ⌚
- Configuración bloqueo de teclado 🔒
- Configuración Contador de consumo (kWh) ⚡
- Configuración Detección ventanas abiertas 🪟
- Pantalla LCD.
- Sensor de temperatura electrónico de alta precisión.
- Protector térmico de bulbo.
- Programación diaria y semanal.
- Cable clavija (ubicado en la parte posterior inferior derecha).
- IP20.
- Clase I.

| Código | Modelo | Nº elementos | Potencia (W) | Tensión 50 Hz (V) | Intensidad absorbida máxima (A) | Peso (kg) | Longitud cable alimentación (mm) | Dimensiones L x A x H (mm) | Color | Unids. por caja | Grupo producto | Precio €/u. |
|------------|-------------|--------------|--------------|-------------------|---------------------------------|-----------|----------------------------------|----------------------------|-----------------|-----------------|----------------|---------------|
| 5226838700 | EMI-TECH 4 | 4 | 600 | 230 | 2,6 | 9 | 1400 | 420x95x580 | Blanco RAL 9010 | 1 | E61 | 361,09 |
| 5226838800 | EMI-TECH 5 | 5 | 750 | 230 | 3,3 | 11 | 1400 | 500x95x580 | Blanco RAL 9010 | 1 | E61 | 416,24 |
| 5226838900 | EMI-TECH 6 | 6 | 900 | 230 | 4,0 | 13 | 1400 | 580x95x580 | Blanco RAL 9010 | 1 | E61 | 490,05 |
| 5226839000 | EMI-TECH 8 | 8 | 1200 | 230 | 5,4 | 17 | 1400 | 740x95x580 | Blanco RAL 9010 | 1 | E61 | 572,61 |
| 5226838600 | EMI-TECH 10 | 10 | 1500 | 230 | 6,5 | 20,5 | 1400 | 900x95x580 | Blanco RAL 9010 | 1 | E61 | 655,13 |

Serie EMI-TECH TERMOWEB



Emisores murales con fluido de alta inercia térmica, digitales programables, con electrónica integrada que permite el control remoto (mediante el KIT 1 TERMOWEB, como accesorio) desde cualquier dispositivo conectado a internet.

Características

- Estructura de aluminio inyectado.
- Termostato electrónico.
- Modos de programación o configuración:
 - Modo confort ☀
Temperatura programable de 10°C - 30°C.
 - Modo económico 🌙
Temperatura programable de 5°C - 19°C.
 - Modo antihielo ❄
Temperatura programable de 5°C - 10°C.

- Modo ausencia prolongada 📅
- Configuración temporizada ⌚
- Configuración bloqueo de teclado 🔒
- Configuración Contador de consumo (kWh) ⚡
- Configuración Detección ventanas abiertas 🪟
- Pantalla LCD.
- Sensor de temperatura electrónico de alta precisión.
- Protector térmico de bulbo.
- Programación diaria y semanal.
- Cable clavija (ubicado en la parte posterior inferior derecha).
- IP20.
- Clase I.

| Código | Modelo | Nº elementos | Potencia (W) | Tensión 50 Hz (V) | Intensidad absorbida máxima (A) | Peso (kg) | Longitud cable alimentación (mm) | Dimensiones L x A x H (mm) | Color | Unids. por caja | Grupo producto | Precio €/u. |
|------------|----------------------|--------------|--------------|-------------------|---------------------------------|-----------|----------------------------------|----------------------------|-----------------|-----------------|----------------|---------------|
| 5226840500 | EMI-TECH 4 TERMOWEB | 4 | 600 | 230 | 2,6 | 9 | 1400 | 420x95x580 | Blanco RAL 9010 | 1 | E61 | 468,79 |
| 5226840600 | EMI-TECH 5 TERMOWEB | 5 | 750 | 230 | 3,3 | 11 | 1400 | 500x95x580 | Blanco RAL 9010 | 1 | E61 | 506,58 |
| 5226840700 | EMI-TECH 6 TERMOWEB | 6 | 900 | 230 | 4,0 | 13 | 1400 | 580x95x580 | Blanco RAL 9010 | 1 | E61 | 536,90 |
| 5226840800 | EMI-TECH 8 TERMOWEB | 8 | 1200 | 230 | 5,4 | 17 | 1400 | 740x95x580 | Blanco RAL 9010 | 1 | E61 | 613,91 |
| 5226840400 | EMI-TECH 10 TERMOWEB | 10 | 1500 | 230 | 6,5 | 20,5 | 1400 | 900x95x580 | Blanco RAL 9010 | 1 | E61 | 684,30 |

Accesorios Series EMI-TECH

| Código | Modelo | Unids. por caja | Grupo producto | Precio €/u. |
|------------|-------------------------------|-----------------|----------------|--------------|
| 5226839400 | KIT PIE EMI-TECH (2 unidades) | 1 | E61 | 55,97 |

KIT 1 TERMOWEB (CENTRALITA + MEDIDOR)



El KIT 1 TERMOWEB de S&P consta de 2 componentes esenciales: la centralita de comunicaciones (1) y el medidor de consumo eléctrico (2). Todas las funcionalidades y posibilidades de programación de los emisores térmicos EMI-TECH TERMOWEB (3), son accesibles desde cualquier dispositivo móvil (4) con acceso a Internet (PC, tablet, smartphone,...). La centralita (1) actúa como un auténtico cerebro del sistema, con dos funciones principales:

- Enlace de comunicaciones, mediante router (5), entre los dispositivos móviles (4) y todos los emisores térmicos (3) de nuestra vivienda, permitiendo controlar de forma fácil e integral el funcionamiento y la programación de los mismos (3).
- Enlace de comunicaciones, mediante router (5), entre los dispositivos móviles (4) y el medidor (o varios)* de consumo (2) permitiendo consultar, en tiempo real, el consumo eléctrico de nuestra vivienda. El sistema también guarda registros consultables del consumo eléctrico diario, mensual y anual.

AHORRE ENERGIA, CONTROLE SU CONSUMO



CONTROLE EL TERMOSTATO DE SU VIVIENDA DESDE CUALQUIER LUGAR CON SU DISPOSITIVO SMARTPHONE



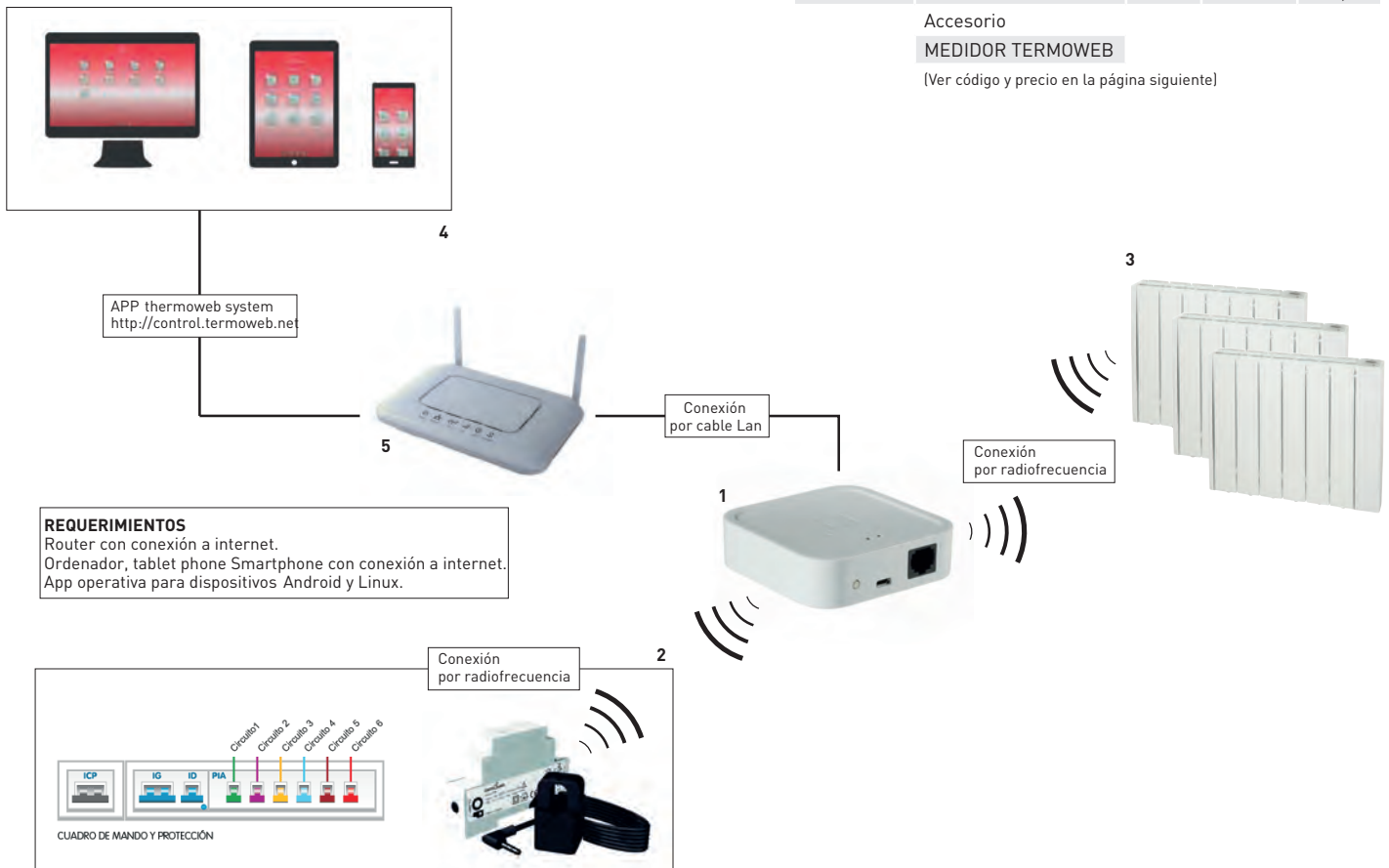
* Se pueden suministrar, como accesorios, medidores de consumo (2) unitarios, por si se quieren separar la instalación en diferentes líneas eléctricas.

| Código | Modelo | Unids. por caja | Grupo producto | Precio €/u. |
|------------|----------------|-----------------|----------------|-------------|
| 5226840900 | KIT 1 TERMOWEB | 1 | E61 | 405,80 |

Accesorio

MEDIDOR TERMOWEB

(Ver código y precio en la página siguiente)



REQUERIMIENTOS
Router con conexión a internet.
Ordenador, tablet phone Smartphone con conexión a internet.
App operativa para dispositivos Android y Linux.

Accesorios de Calefacción Industrial y de Instalación

KIT 2 TERMOWEB (CENTRALITA + MEDIDOR + TERMOSTATO)



El KIT 2 TERMOWEB de S&P ofrece la tecnología para disfrutar del confort de tu hogar, ahorrar en los consumos y controlar la calefacción eléctrica, a gas o a gasoil (6) desde cualquier lugar mediante dispositivo móvil PC - tablet - smartphone (4) con acceso a Internet.

Consta de 3 componentes esenciales: la centralita de comunicación (1), el medidor de consumo eléctrico (2) y el termostato (3).

La centralita (1) actúa como un auténtico cerebro del sistema, con dos funciones principales:

- Enlace de comunicaciones, mediante router (5), entre los dispositivos móviles (4) y el termostato (o varios)* (3) de nuestra vivienda. Nos permite encender y apagar la calefacción de nuestra vivienda o establecer y modificar fácilmente el programar semanal. También se puede actuar directamente sobre el termostato ya que el sistema actualiza los datos de forma bidireccional.

- Enlace de comunicaciones, mediante router (5), entre los dispositivos móviles (4) y el medidor de consumo (2), permitiendo consultar, en tiempo real, el consumo eléctrico de nuestra vivienda. El sistema también guarda registros consultables del consumo eléctrico diario, mensual y anual.

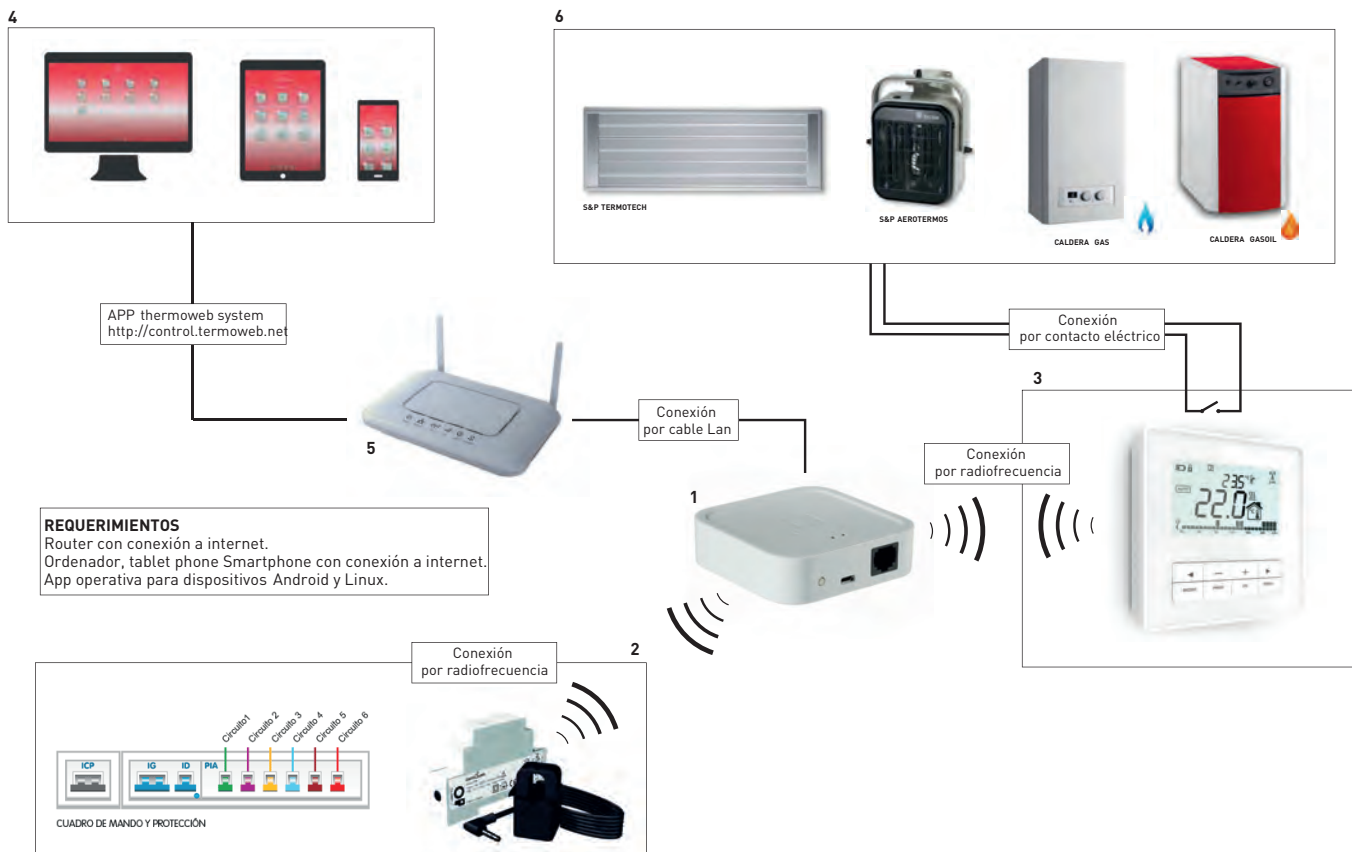
* Los termostatos (3) se pueden suministrar como accesorios unitarios, por si tenemos una vivienda con dos circuitos de calefacción (Ejemplo: planta ático / planta baja).

CONTROL ETT-6

En combinación con el TERMOSTATO TERMOWEB este dispositivo de control por etapas (suministrado como accesorio) permite controlar la activación paulatina de diferentes elementos de calefacción eléctricos de gran potencia.



| Código | Modelo | Unids. por caja | Grupo producto | Precio €/u. |
|------------|---------------------|-----------------|----------------|---------------|
| 5226841600 | KIT 2 TERMOWEB | 1 | E61 | 555,10 |
| Accesorios | | | | |
| 5226841100 | TERMOSTATO TERMOWEB | 1 | E61 | 209,91 |
| 5226841200 | MEDIDOR TERMOWEB | 1 | E61 | 163,26 |



REQUERIMIENTOS
Router con conexión a internet.
Ordenador, tablet phone Smartphone con conexión a internet.
App operativa para dispositivos Android y Linux.



CR-TEMP

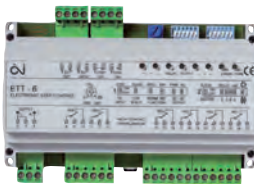
Controlador electrónico de temperatura

Incorpora una sonda de temperatura ambiental en su interior y permite la gestión de un contacto ON/OFF de forma manual o automática.

Principales funciones:

- Consigna temperatura.
- Programación semanal con dos arranques y paradas diarias.
- Detección de ventana abierta mediante caída rápida de temperatura.
- Accionamiento manual forzado.

| Código | Modelo | Alimentación | Relé | Rango lectura | Índice protección | Dimensiones (mm) | | | Grupo producto | Precio €/u. |
|------------|---------|------------------|-----------------|---------------|-------------------|------------------|----|----|----------------|-------------|
| | | | | | | L | A | H | | |
| 5401652800 | CR-TEMP | 100-250V 50/60Hz | 5A (resistivos) | 0-60°C | IP20 | 100 | 95 | 35 | E60 | 333,57 |



CONTROL ETT-6

Controlador electrónico por etapas.

Permite controlar la activación por etapas de hasta seis dispositivos. Adecuado tanto para controlar el encendido y apagado de sistemas de calefacción (aeroterms EC, paneles radiantes TERMOTECH-HT, emisores EMI-TECH TERMOWEB), como sistemas de ventilación con diferentes unidades.

| Código | Modelo | Alimentación | Consumo máximo (VA) | Relés | | Índice de protección | Temperatura de utilización (°C) | Dimensiones (mm) | | | Grupo producto | Precio €/u. |
|--------|--------|--------------|---------------------|--------|-----------------------|----------------------|---------------------------------|------------------|---|---|----------------|-------------|
| | | | | Número | Intensidad máxima (A) | | | L | A | H | | |
| | | | | | | | | | | | | |

Paneles convectores

Serie PM



Paneles convectores de instalación mural.

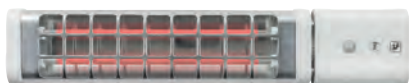
Características:

- Extraplanos.
- Silenciosos.
- Resistencia blindada de gran disipación del calor.
- Interruptor ON/OFF.
- Pantalla LCD digital.
- Programación semanal.
- Modos de funcionamiento: CONFORT / ECO / ANTIHIELO / SMART.
- Función detección ventanas abiertas.
- Termostato electrónico.
- Opción bloqueo (espacios públicos).
- Protector térmico por sobrecalentamiento.
- IP21. Clase II.

| Código | Modelo | Tensión 50/60 Hz (V) | Potencia (W) | Intensidad absorbida máxima (A) | Soporte pared | Dimensiones (mm) | | | Peso | Color | Unids. por caja | Grupo producto | Precio €/u. |
|------------|---------|----------------------|--------------|---------------------------------|---------------|------------------|----|-----|------|--------|-----------------|----------------|-------------|
| | | | | | | L | A | H | | | | | |
| 5226839800 | PM-755 | 230 | 750 | 3,3 | • | 370 | 76 | 398 | 4 | Blanco | 1 | E60 | 127,62 |
| 5226839500 | PM-1005 | 230 | 1000 | 4,4 | • | 520 | 76 | 398 | 4 | Blanco | 1 | E60 | 138,92 |
| 5226839600 | PM-1505 | 230 | 1500 | 6,6 | • | 700 | 76 | 398 | 6 | Blanco | 1 | E60 | 160,13 |
| 5226839700 | PM-2005 | 230 | 2000 | 8,7 | • | 825 | 76 | 398 | 7 | Blanco | 1 | E60 | 179,85 |

Infrarrojos

Serie INFRARED-125-155



Calefactores infrarrojos de instalación mural para interior.

Características:

- Lámparas de cuarzo.
- Interruptor tipo tirador, ubicado a ambos lados del aparato, (sistema dual).
- Orientables hasta 20°.
- Detector de presencia de desconexión, de 5 minutos (sólo modelo 155).
- Limitador de funcionamiento programable de 30'-60'-120' - continuo (sólo modelo 155).
- Protección contra salpicaduras de agua IP24.

| Código | Modelo | Tensión 50Hz (V) | Potencia (W) | Intensidad absorbida máxima (A) | Nº de lámparas | Tipo de lámparas | Peso (kg) | Dimensiones L x A x H (mm) | Color | Unids. por caja | Grupo producto | Precio €/u. |
|------------|--------------|------------------|--------------|---------------------------------|----------------|------------------|-----------|----------------------------|------------|-----------------|----------------|-------------|
| 5226839900 | INFRARED-125 | 230 | 600/1200 | 5,2 | 2 | Cuarzo | 2 | 650x120x100 | Gris claro | 4 | E60 | 62,22 |
| 5226840000 | INFRARED-155 | 230 | 750/1500 | 6,5 | 2 | Cuarzo | 2 | 650x120x100 | Gris claro | 4 | E60 | 74,73 |

Calefactores de baño

Serie CB-2005 N



Toallero opcional, como accesorio.

Calefactores de baño de instalación mural.

Características:

- Muy silenciosos.
- Cuerpo de plástico.
- Termostato electrónico.
- Protector térmico de seguridad.
- IP24. Clase II.
- Sensor de presencia de desconexión.
- Programación de desconexión.
- Pantalla LCD digital.
- Función detección ventanas abiertas.
- Kit toallero opcional.

| Código | Modelo | Tensión 50Hz (V) | Potencia (W) | Intensidad absorbida máxima (A) | Peso (kg) | Dimensiones L x A x H (mm) | Color | Unids. por caja | Grupo producto | Precio €/u. |
|------------|-----------|------------------|--------------|---------------------------------|-----------|----------------------------|--------------|-----------------|----------------|-------------|
| 5226840100 | CB-2005 N | 230 | 1000/2000 | 8,7 | 2,2 | 410x300x140* | Blanco/negro | 1 | E65 | 175,73 |

* 680x300x140 con toallero.

Accesorios

| Código | Modelo | Unids. por caja | Grupo producto | Precio €/u. |
|------------|------------------------|-----------------|----------------|-------------|
| 5226840300 | KIT TOALLERO CB-2005 N | 1 | E65 | 26,45 |

Calefactores horizontales

TL-10 N



Calefactor horizontal fabricado en material autoextinguible.

Características:

- Protector térmico.
- Mando selector de potencia con dos intensidades de aire caliente.
- Termostato mecánico.
- Rejilla de entrada de aire ubicada en la parte superior del aparato: evita la entrada de suciedad y partículas provenientes del suelo.



| Código | Modelo | Tensión 50 Hz (V) | Potencia (W) | Intensidad absorbida máxima (A) | Color | Peso (kg) | Dimensiones L x A x H (mm) | Unids. por caja | Grupo producto | Precio €/u. |
|------------|---------|-------------------|--------------|---------------------------------|--------|-----------|----------------------------|-----------------|----------------|-------------|
| 5226208600 | TL-10 N | 230 | 1000/2000 | 8,7 | Blanco | 2,5 | 270x220x128 | 3 | E65 | 54,48 |

TL-20 N



Calefactor horizontal fabricado en material autoextinguible.

Características:

- Protector térmico.
- Mando selector de potencia con dos intensidades de aire caliente y una posición de ventilación.
- Termostato mecánico.
- Flujo de aire orientable mediante un deflector.
- Dispositivo antiheladas: conecta el calefactor cuando la temperatura ambiente es inferior a 5°C.



| Código | Modelo | Tensión 50 Hz (V) | Potencia (W) | Intensidad absorbida máxima (A) | Color | Peso (kg) | Dimensiones L x A x H (mm) | Unids. por caja | Grupo producto | Precio €/u. |
|------------|---------|-------------------|--------------|---------------------------------|-------|-----------|----------------------------|-----------------|----------------|-------------|
| 5226021300 | TL-20 N | 230 | 1000/2000 | 8,7 | Negro | 2,5 | 306x222x120 | 3 | E65 | 164,88 |

TL-39 H



Calefactor horizontal fabricado en material autoextinguible.

Características:

- Mando selector de potencia con dos intensidades de aire caliente.
- Termostato mecánico.
- Dispositivo antiheladas: conecta el calefactor cuando la temperatura ambiente es inferior a 5°C.
- Rejilla de entrada de aire ubicada en la parte superior del aparato: evita la entrada de suciedad y partículas provenientes del suelo.
- Rejilla de salida de aire metálica.
- Luz piloto.
- IP20, Clase II.



| Código | Modelo | Tensión 50-60 Hz (V) | Potencia (W) | Intensidad absorbida máxima (A) | Superficie de influencia* (m²) | Color | Peso (kg) | Dimensiones LxAxH (mm) | Unids. por caja | Grupo producto | Precio €/u. |
|------------|---------|----------------------|--------------|---------------------------------|--------------------------------|-------|-----------|------------------------|-----------------|----------------|-------------|
| 5226844400 | TL-39 H | 230 | 1000/2000 | 8,7 | 24 | Negro | 1,7 | 270x135x240 | 4 | E65 | 54,35 |

* Información orientativa para una altura de techo de 2,5 m.

Calefactores verticales

TL-32



Calefactor vertical muy silencioso fabricado en material autoextinguible.

Características

- Difusión del aire multidireccional.
- Óptima distribución del calor.
- Mando selector de potencia con 2 intensidades de aire caliente y 1 posición de ventilación.
- Interruptor de seguridad antivoltaje.
- Protector térmico.
- Termostato mecánico.

- Dispositivo antiheladas: conecta el calefactor cuando la temperatura ambiente es inferior a 5°C.
- Protección contra salpicaduras de agua IP21.
- Clase II.



| Código | Modelo | Tensión 50 Hz (V) | Potencia (W) | Intensidad absorbida máxima (A) | Color | Peso (kg) | Dimensiones L x A x H (mm) | Unids. por caja | Grupo producto | Precio €/u. |
|------------|--------|-------------------|--------------|---------------------------------|------------------|-----------|----------------------------|-----------------|----------------|-------------|
| 5226833600 | TL-32 | 230 | 800/1800 | 7,8 | Blanco / Naranja | 1,5 | 230x150x300 | 4 | E65 | 69,98 |

TL-40



Calefactor vertical muy silencioso fabricado en material autoextinguible.

Características

- Mando selector de potencia con 2 intensidades de aire caliente y 1 posición de ventilación.
- Termostato mecánico.
- Protector térmico.
- Dispositivo antiheladas: conecta el calefactor cuando la temperatura ambiente es inferior a 5°C.
- Protección contra salpicaduras de agua IP21.
- Clase II.



| Código | Modelo | Tensión 50 Hz (V) | Potencia (W) | Intensidad absorbida máxima (A) | Color | Longitud cable alimentación (mm) | Peso (kg) | Dimensiones L x A x H (mm) | Unids. por caja | Grupo producto | Precio €/u. |
|------------|--------|-------------------|--------------|---------------------------------|-------------------------|----------------------------------|-----------|----------------------------|-----------------|----------------|-------------|
| 5226833500 | TL-40 | 230 | 1000/1800 | 7,8 | Negro / Gris metalizado | 1500 | 2 | 280x110x390 | 4 | E65 | 84,91 |

TL-39 V / TL-39 VM



TL-39 V

TL-39 VM

Calefactor vertical fabricado en material autoextinguible.

Características

- Mando selector de potencia con dos intensidades de aire caliente.
- Termostato mecánico.
- Dispositivo antiheladas: conecta el calefactor cuando la temperatura ambiente es inferior a 5°C.
- Doble sistema de seguridad, con interruptor antivuelco y protector térmico por sobrecalentamiento.
- Protección contra salpicaduras de agua IP21.

- Clase II.
- Luz piloto
- Asa transporte
- El modelo TL-39 VM dispone además de cuerpo oscilante.



| Modelo | Modelo | Tensión 50-60 Hz (V) | Potencia (W) | Intensidad absorbida máxima (A) | Superficie de influencia* (m²) | Oscilación | Color | Peso (kg) | Dimensiones LxAxH (mm) | Unids. por caja | Grupo producto | Precio €/u. |
|------------|----------|----------------------|--------------|---------------------------------|--------------------------------|------------|-------|-----------|------------------------|-----------------|----------------|-------------|
| 5226844500 | TL-39 V | 230 | 1000/2000 | 8,7 | 24 | - | Negro | 1,5 | 220x295x165 | 4 | E65 | 68,88 |
| 5226844600 | TL-39 VM | 230 | 1000/2000 | 8,7 | 24 | 60° | Negro | 1,7 | 220x395x165 | 4 | E65 | 82,57 |

* Información orientativa para una altura de techo de 2,5 m.

Calefactores cerámicos

TL-18 PTC



Calefactor cerámico vertical muy silencioso que ocupa poco espacio y de fácil ubicación.

Características

- Resistencias cerámicas que optimizan el consumo de energía.
- Mando selector de potencia con 2 intensidades de aire caliente y 1 posición de ventilación.
- Termostato mecánico.
- Doble sistema de seguridad, con interruptor antivuelco y protector térmico por sobrecalentamiento.
- Filtro de aire fácilmente extraíble y limpiable.
- Dispositivo antiheladas: conecta el calefactor cuando la temperatura ambiente es inferior a 5°C.
- Clase II.



| Código | Modelo | Tensión 50 Hz (V) | Potencia (W) | Intensidad absorbida máxima (A) | Color | Peso (kg) | Dimensiones L x A x H (mm) | Unids. por caja | Grupo producto | Precio €/u. |
|------------|-----------|-------------------|--------------|---------------------------------|--------------|-----------|----------------------------|-----------------|----------------|-------------|
| 5226833800 | TL-18 PTC | 230 | 1000/2000 | 8,7 | Gris titanio | 1,5 | 200x130x230 | 4 | E65 | 78,83 |

TOWER-2000 PTC



Calefactor cerámico vertical muy silencioso que ocupa poco espacio y de fácil ubicación.

Características

- Pantalla LCD con indicador de temperatura ambiente y el estado de las diferentes funciones.
- Control electrónico.
- Mando selector de potencia con 2 intensidades de aire caliente y 1 posición de ventilación.
- Termostato electrónico.
- Modo AUTO: La potencia del calefactor se regula automáticamente en función de la temperatura de la habitación optimizando el consumo de energía.
- Temporizador programable de 30 min. a 8 horas.
- Mando a distancia.
- Cuerpo oscilante opcional.
- Doble sistema de seguridad, con interruptor antivuelco y protector térmico por sobrecalentamiento.
- Filtro de aire fácilmente extraíble y limpiable.
- Clase II.



| Código | Modelo | Tensión 50 Hz (V) | Potencia (W) | Intensidad absorbida máxima (A) | Color | Peso (kg) | Dimensiones L x A x H (mm) | Unids. por caja | Grupo producto | Precio €/u. |
|------------|----------------|-------------------|--------------|---------------------------------|--------------|-----------|----------------------------|-----------------|----------------|-------------|
| 5226833700 | TOWER-2000 PTC | 230 | 1000 / 2000 | 8,7 | Gris / Negro | 1,5 | 190x180x620 | 2 | E65 | 175,36 |

Paneles radiantes

RADIANT-1505



Panel radiante móvil o para instalación mural, de alto rendimiento que transmite el calor al ambiente hasta un 96%.

**Características:**

- Resistencia panel de mica.
- 2 posiciones de potencia.
- Interruptor ON/OFF.
- Pantalla LCD digital.
- Termostato electrónico.
- Modo Manual o Programable.
- Programación semanal ON/OFF (7 días).
- Detección de ventanas abiertas.
- Bloqueo para estancias públicas.
- Cuerpo metálico.
- Clase II. IP21.

| Código | Modelo | Tensión 50 Hz (V) | Potencia (W) | Intensidad absorbida máxima (A) | Pies soporte | Soporte pared | Color | Peso (kg) | Dimensiones L x A x H (mm) | Dimensiones con pies L x A x H (mm) | Unids. por caja | Grupo producto | Precio €/u. |
|------------|--------------|-------------------|--------------|---------------------------------|--------------|---------------|--------|-----------|----------------------------|-------------------------------------|-----------------|----------------|-------------|
| 5226840200 | RADIANT-1505 | 230 | 750/1500 | 6,6 | • | • | Blanco | 4,5 | 765x60x505 | 765x230x540 | 1 | E65 | 186,81 |

Convectores

TLS-501 / TLS-503 T



Conectores móviles que producen calor de forma natural y totalmente silenciosa.

**Características:**

- 3 posiciones de potencia y luz piloto.
- Doble protector térmico de seguridad.
- Termostato mecánico.
- Dispositivo antiheladas: conecta el aparato cuando la temperatura ambiente es inferior a 5°C.
- El modelo TLS-503 Turbo incorpora un ventilador que permite forzar la salida de aire caliente al ambiente a través de la rejilla frontal.

| Código | Modelo | Tensión 50/60 Hz (V) | Potencia (W) | Intensidad absorbida máxima (A) | Turbo | Color | Peso (kg) | Dimensiones L x A x H (mm) | Unids. por caja | Grupo producto | Precio €/u. |
|------------|-----------|----------------------|---------------|---------------------------------|-------|----------------|-----------|----------------------------|-----------------|----------------|-------------|
| 5226832600 | TLS-501 | 230 | 800/1200/2000 | 8,7 | | Blanco / negro | 5,6 | 785x175x440 | 1 | E65 | 96,54 |
| 5226832700 | TLS-503 T | 230 | 800/1200/2000 | 8,7 | • | Blanco / negro | 6 | 785x175x440 | 1 | E65 | 112,57 |

Radiadores de aceite

SAHARA-903



Radiador de aceite de tipo diatérmico de gran inercia térmica que permite conservar el calor acumulado durante largo tiempo. Ocupa poco espacio, ideal para ubicar debajo mesas camilla o en estancias pequeñas.



Características

- 1 posición de potencia y luz piloto.
- Termostato mecánico.
- Doble sistema de seguridad, con interruptor antivuelco y protector térmico por sobrecalentamiento.
- No consume oxígeno ni reseca el ambiente.

| Código | Modelo | Tensión 50/60 Hz (V) | Potencia máxima (W) | Intensidad absorbida máxima (A) | Número de elementos | Superficie de influencia* (m ²) | Color | Peso (kg) | Dimensiones LxAxH (mm) | Grupo producto | Precio €/u. |
|------------|------------|----------------------|---------------------|---------------------------------|---------------------|---|-------|-----------|------------------------|----------------|-------------|
| 5226838000 | SAHARA-903 | 230 | 900 | 4 | 9 | 5 | Gris | 5,9 | 400x170x355 | E65 | 83,52 |

* Para estancias de 3 metros de altura.

SAHARA



Radiadores de aceite de tipo diatérmico de gran inercia térmica que permite conservar el calor acumulado durante largo tiempo.



Características:

- 3 posiciones de potencia y luces piloto.
- Termostato mecánico.
- Doble sistema de seguridad, con interruptor antivuelco y protector térmico por sobrecalentamiento.
- Dispositivo antiheladas: conecta el aparato cuando la temperatura ambiente es inferior a 5°C.
- No consumen oxígeno ni resecan el ambiente.

| Modelo | Modelo | Tensión 50/60 Hz (V) | Potencia máxima (W) | Intensidad absorbida máxima (A) | Número de elementos | Posiciones selector potencia | Superficie de influencia* (m ²) | Color | Peso (kg) | Dimensiones L x A x H (mm) | Unids. por caja | Grupo producto | Precio €/u. |
|------------|-------------|----------------------|---------------------|---------------------------------|---------------------|------------------------------|---|-------|-----------|----------------------------|-----------------|----------------|-------------|
| 5226832800 | SAHARA-1503 | 230 | 1500/900/600 | 6,6 | 7 | 3 | 10 | Gris | 11 | 350x250x635 | 1 | E65 | 110,81 |
| 5226832900 | SAHARA-2003 | 230 | 2000/1200/800 | 8,7 | 9 | 3 | 12 | Gris | 12,5 | 445x250x635 | 1 | E65 | 128,37 |
| 5226833000 | SAHARA-2503 | 230 | 2500/1500/1000 | 10,9 | 11 | 3 | 14 | Gris | 16,5 | 520x250x635 | 1 | E65 | 148,35 |

* Para estancias de 3 metros de altura.

PURIFICADORES DE AIRE



472 AIRPUR 360



472 AIRPUR-2N



473 PAP 420-350



474 PAP 850-650



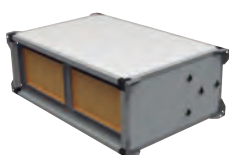
475 UPC ECOWATT



476 UP PRO-REG



477 UP ECOWATT



479 FB F7 H14

DESHUMIDIFICADORES



480 DHUM-EN

HUMIDIFICADORES



481 HUMI-ED

AIRPUR 360



Purificador de aire portátil tipo columna muy silencioso, para estancias de hasta 50 m².

Características

- Pantalla LCD táctil que muestra el estado de las diferentes funciones:
 - Nivel calidad del aire por colores e indicador PM2,5 (µg/m³).
 - HR% y temperatura ambiente.
 - Temporizador 1-8 h.
 - Indicador cambio de filtro.
 - Bloqueo pantalla.
- 4 modos de funcionamiento:
 - MANUAL: Selección de 4 velocidades.
 - SMART: Ajusta la velocidad según la calidad de aire.
 - NOCHE: Funciona a una velocidad muy baja para reducir el ruido.
 - TEMPORIZADOR: Programable 1-8 h.

• Filtración en 3 etapas, filtros tipo tambor 360° con el 99,99% de eficiencia:

1. Prefiltro de fibra: Filtro (clase F7 / EN 779). Retiene las partículas de mayor tamaño (PM10).
2. Filtro antimicrobiano HEPA (clase H13 / EN 18221-1): Filtra partículas pequeñas (PM2,5) como esporas, polvo, polen, ácaros, bacterias y virus.
3. Filtro de carbón activado: Adsorbe humos, olores, vapores, compuestos químicos aromáticos y orgánicos volátiles.

- Luz ultravioleta.
- Mando a distancia.
- Motor DC Brushless.
- Autodesconexión por volcado.

| Código | Modelo | Tensión 50Hz (V) | Potencia (W) | Intensidad absorbida máxima (A) | Velocidades | Volumen máximo de aire filtrado (m ³ /h) | Nivel de presión sonora a 1,5 m. (dB (A)) | Color | Peso (kg) | Dimensiones L x A x H (mm) | Unids. por caja | Grupo producto | Precio €/u. |
|------------|------------|------------------|--------------|---------------------------------|-------------|---|---|--------|-----------|----------------------------|-----------------|----------------|-------------|
| 5250010600 | AIRPUR 360 | 230 | 55 | 0,3 | 4+1 | 450 | 56 - 50 - 43,5 - 33 -32 | Blanco | 9 | 300x300x708 | 1 | E70 | 796,50 |

Accesorios

| Código | Modelo | Unids. por caja | Grupo producto | Precio €/u. |
|------------|-------------------|-----------------|----------------|-------------|
| 5250010700 | FILTRO AIRPUR 360 | 1 | E70 | 229,42 |

AIRPUR-2N



Purificador de aire portátil, muy silencioso para estancias de hasta 50 m².

Características

- Pantalla LCD táctil que muestra el estado de las diferentes funciones:
 - Indicador de la calidad de aire por colores.
 - Opción de apagar las luces de la pantalla.
 - Temporizador programable 1-12h.
 - Indicador cambio de filtro.
- 4 modos de funcionamiento:
 - MANUAL: Selección de 3 velocidades.
 - AUTO: Ajusta la velocidad según la calidad de aire.
 - NOCHE: Funciona a una velocidad muy baja para reducir el ruido.
 - TEMPORIZADOR: Programable 1-12 h.

• Filtración en 3 etapas con el 99,97% de eficiencia:

1. Prefiltro de fibra: Retiene las partículas de mayor tamaño (PM10).
2. Filtro HEPA (clase H13 / EN 18221-1): Filtra partículas pequeñas (PM2,5) como esporas, polvo, polen, ácaros, bacterias y virus.
3. Filtro de carbón activado: Adsorbe humos, olores, vapores, compuestos químicos aromáticos y orgánicos volátiles.

- Motor Brushless.

| Código | Modelo | Tensión (V) | Potencia (W) | Intensidad absorbida máxima (A) | Velocidades | Volumen máximo de aire filtrado (m ³ /h) | Aislamiento | Nivel de presión sonora a 1,5 m. (dB (A)) | Color | Peso (kg) | Dimensiones L x A x H (mm) | Unids. por caja | Grupo producto | Precio €/u. |
|------------|-----------|-------------|--------------|---------------------------------|-------------|---|-------------|---|--------|-----------|----------------------------|-----------------|----------------|-------------|
| 5250010800 | AIRPUR-2N | 230 | 40 | 0,20 | 3+1 | 390 | Clase II | 23-52 | Blanco | 5,3 | 371x183x470 | 1 | E70 | 203,97 |

Accesorios

| Código | Modelo | Unids. por caja | Grupo producto | Precio €/u. |
|------------|------------------|-----------------|----------------|-------------|
| 5250010900 | FILTRO AIRPUR-2N | 1 | E70 | 60,92 |

Purificadores de aire

PAP 420 - 350



Purificadores de aire portátiles para aplicaciones comerciales y sanitarias. Fabricados en estructura de perfiles de aluminio con paneles de tipo sándwich fabricados en chapa de acero galvanizada pintada exteriormente y 18 mm de aislamiento acústico lo que les otorga una elevada atenuación del nivel sonoro radiado.

Versiones

- Disponible únicamente en versión con flujo vertical.
- Disponibles con tres niveles de filtración distintos en función del tipo de partícula o contaminante que se desee filtrar.

Filtros

Eficacia HEPA H14 certificada

Filtración mínima del 99,995% según norma EN-1822. Junto con cada purificador PAP se suministra un certificado individual que acredita que cada filtro ha superado el correspondiente ensayo de laboratorio.

Todos los filtros se suministran embolsados para protegerlos del polvo y contaminantes ambientales. Sistema de montaje del filtro absoluto mediante

pernos roscados, lo que garantiza un buen apriete entre filtro y bastidor, minimizando el by-pass de aire exterior al filtro habitual en los filtros montados mediante guías.

Ventilador

Ventilador backward con elevada presión disponible, con motor brushless de corriente continua, de alto rendimiento y bajo consumo, alimentación 230V±10% 50/60Hz, IP44, rodamientos a bolas, protector térmico. Incorporan interruptor Paro/Marcha y potenciómetro manual que permite ajustar el caudal de aire a las necesidades del local.

Otros datos

Todas las versiones incluyen 4 ruedas que facilitan el desplazamiento de la unidad hasta el lugar de ubicación deseada.

Diseñadas para instalaciones en interior.

Modelos PAP 420: Temperatura de trabajo de -10°C a +50°C. Humedad Relativa máxima: 80%.

Modelos PAP 350: Temperatura de trabajo de -10°C a +40°C. Humedad Relativa máxima: 70%.

VERSIONES EN FUNCIÓN DE LOS FILTROS INCLUIDOS

| Modelo | Filtros | Capacidad de filtración |
|-----------------|--------------------------|---|
| PAP 420 H14 | F7 + H14 | Polvo, Polen, Esporas, Bacterias, Virus, Partículas finas en suspensión (PM ₁ , PM _{2,5} y PM ₁₀) |
| PAP 350 CA H14 | F7 + carbón activo + H14 | Polvo, Polen, Esporas, Bacterias, Virus, Partículas finas en suspensión (PM ₁ , PM _{2,5} y PM ₁₀) + Olores |
| PAP 350 VOC H14 | F7 + Filtro VOC + H14 | Polvo, Polen, Esporas, Bacterias, Virus, Partículas finas en suspensión (PM ₁ , PM _{2,5} y PM ₁₀) + Olores + Formaldehído, Etileno, CO, SO₂, NO_x y VOC |

| Código | Modelo | Tensión 50Hz [V] | Potencia máxima [W] | Intensidad máxima [A] | Alimentación eléctrica | Velocidad [r.p.m.] | Caudal a filtro limpio [m³/h] | Caudal a filtro sucio [m³/h] | Superficie a tratar* [m²] | Nivel de presión sonora [dB (A)] | Peso [kg] | Dimensiones L x A x H [mm] | Unids. por caja | Grupo producto | Precio €/u. |
|------------|-----------------|------------------|---------------------|-----------------------|------------------------|--------------------|-------------------------------|------------------------------|---------------------------|----------------------------------|-----------|----------------------------|-----------------|----------------|-------------|
| 5160345800 | PAP 420 H14 | 230 | 98 | 0,7 | 1F /230V, 50-60Hz | 3270 | 420 | 300 | 30 - 40 | 35 | 33 | 380x350x708 | 1 | E09 | 2.165,05 |
| 5160345900 | PAP 350 CA H14 | 230 | 98 | 0,7 | 1F /230V, 50-60Hz | 3270 | 350 | 290 | 27 - 36 | 37 | 35 | 380x350x708 | 1 | E09 | 2.221,91 |
| 5160346000 | PAP 350 VOC H14 | 230 | 98 | 0,7 | 1F /230V, 50-60Hz | 3270 | 350 | 290 | 27 - 36 | 37 | 35 | 380x350x708 | 1 | E09 | 2.313,22 |

* Aplicación locales comerciales y oficinas con 3 metros de altura libre a techo

Accesorios

| Código | Modelo | Unids. por caja | Grupo producto | Precio €/u. |
|------------|---------------------|-----------------|----------------|-------------|
| 5800028500 | AFR F7 PAP 420/350 | 1 | E09 | 81,89 |
| 5800028600 | AFR H14 PAP 420/350 | 1 | E09 | 261,27 |
| 5800028700 | AFR CA PAP 350 | 1 | E09 | 80,36 |
| 5800028800 | AFR VOC PAP 350 | 1 | E09 | 183,29 |

PAP 850 - 650



Purificadores de aire portátiles para aplicaciones comerciales y sanitarias. Fabricados en estructura de perfiles de aluminio con paneles de tipo sándwich fabricados en chapa de acero galvanizada pintada exteriormente y 25 mm de aislamiento acústico lo que les otorga una elevada atenuación del nivel sonoro radiado.

Versiones

- Disponibles versiones con flujo de aire en horizontal y en vertical.
- Disponibles con tres niveles de filtración distintos en función del tipo de partícula o contaminante que se desee filtrar.

Filtros

Eficacia HEPA H14 certificada

Filtración mínima del 99,995% según norma EN-1822. Junto con cada purificador PAP se suministra un certificado individual que acredita que cada filtro ha superado el correspondiente ensayo de laboratorio. Excepto los prefiltros F7, el resto de filtros se suministran embolsados para protegerlos del polvo y contaminantes ambientales. Sistema de montaje del filtro absoluto mediante

pomos roscados, lo que garantiza un buen apriete entre filtro y bastidor, minimizando el by-pass de aire exterior al filtro habitual en los filtros montados mediante guías.

Ventilador

Ventilador backward con elevada presión disponible, con motor brushless de corriente continua, de alto rendimiento y bajo consumo, alimentación 230V±10% 50/60Hz, IP44, rodamientos a bolas, protector térmico. Incorporan interruptor Paro/Marcha y potenciómetro manual que permite ajustar el caudal de aire a las necesidades del local.

Otros datos

Todas las versiones incluyen 4 ruedas que facilitan el desplazamiento de la unidad hasta el lugar de ubicación deseada. Dos de las ruedas disponen de freno de pie para evitar desplazamientos involuntarios del purificador.

Diseñadas para instalaciones en interior.

Modelos PAP 850: Temperatura de trabajo de -10°C a +50°C. Humedad Relativa máxima: 80%.

Modelos PAP 650: Temperatura de trabajo de -10°C a +40°C. Humedad Relativa máxima: 70%.

VERSIONES EN FUNCIÓN DE LOS FILTROS INCLUIDOS

| Modelo | | Filtros | Capacidad de filtración |
|-----------------|------------------|--------------------------|---|
| Horizontal | Vertical | | |
| PAP 850 H14 | PAP 850V H14 | F7 + H14 | Polvo, Polen, Esporas, Bacterias, Virus, Partículas finas en suspensión (PM ₁ , PM _{2,5} y PM ₁₀) |
| PAP 650 CA H14 | PAP 650V CA H14 | F7 + carbón activo + H14 | Polvo, Polen, Esporas, Bacterias, Virus, Partículas finas en suspensión (PM ₁ , PM _{2,5} y PM ₁₀) + Olores |
| PAP 650 VOC H14 | PAP 650V VOC H14 | F7 + Filtro VOC + H14 | Polvo, Polen, Esporas, Bacterias, Virus, Partículas finas en suspensión (PM ₁ , PM _{2,5} y PM ₁₀) + Olores + Formaldehído, Etileno, CO, SO ₂ , NO _x y VOC |

| Código | Modelo | Tensión 50Hz (V) | Potencia máxima (W) | Intensidad máxima (A) | Alimentación eléctrica | Velocidad (r.p.m.) | Caudal a filtro limpio (m³/h) | Caudal a filtro sucio (m³/h) | Superficie a tratar* (m²) | Nivel de presión sonora (dB (A)) | Peso (kg) | Dimensiones L x A x H (mm) | Unids. por caja | Grupo producto | Precio €/u. |
|------------|------------------|------------------|---------------------|-----------------------|------------------------|--------------------|-------------------------------|------------------------------|---------------------------|----------------------------------|-----------|----------------------------|-----------------|----------------|-----------------|
| 5160345500 | PAP 850 H14 | 230 | 180 | 1,2 | 1F /230V, 50-60Hz | 2900 | 850 | 600 | 60 - 80 | 50 | 48 | 550x735x605 | 1 | E09 | 2.742,38 |
| 5160345600 | PAP 650 CA H14 | 230 | 178 | 1,1 | 1F /230V, 50-60Hz | 2900 | 700 | 500 | 50 - 67 | 49 | 52 | 550x735x605 | 1 | E09 | 2.870,07 |
| 5160345700 | PAP 650 VOC H14 | 230 | 178 | 1,1 | 1F /230V, 50-60Hz | 2900 | 700 | 500 | 50 - 67 | 49 | 52 | 550x735x605 | 1 | E09 | 3.069,64 |
| 5160348700 | PAP 850V H14 | 230 | 180 | 1,2 | 1F /230V, 50-60Hz | 2900 | 850 | 600 | 60 - 80 | 50 | 48 | 520x550x820 | 1 | E09 | 2.742,38 |
| 5160348800 | PAP 650V CA H14 | 230 | 178 | 1,1 | 1F /230V, 50-60Hz | 2900 | 700 | 500 | 50 - 67 | 49 | 52 | 520x550x820 | 1 | E09 | 2.870,07 |
| 5160348900 | PAP 650V VOC H14 | 230 | 178 | 1,1 | 1F /230V, 50-60Hz | 2900 | 700 | 500 | 50 - 67 | 49 | 52 | 520x550x820 | 1 | E09 | 3.069,64 |

* Aplicación locales comerciales y oficinas con 3 metros de altura libre a techo

Accesorios

| Código | Modelo | Unids. por caja | Grupo producto | Precio €/u. |
|------------|---------------------|-----------------|----------------|---------------|
| 5800028100 | AFR F7 PAP 850/650 | 1 | E09 | 152,81 |
| 5800028200 | AFR H14 PAP 850/650 | 1 | E09 | 388,79 |
| 5800028300 | AFR CA PAP 650 | 1 | E09 | 171,04 |
| 5800028400 | AFR VOC PAP 650 | 1 | E09 | 395,97 |

Serie UPC ECOWATT



Cajas de ventilación con filtros integrados, destinadas a aplicaciones de purificación de aire para su instalación en falsos techos o en pared.

Aptas tanto para el montaje integrado en redes de conductos de climatización, como para su funcionamiento en instalaciones independientes de purificación de aire.

La recirculación continua del aire interior por sus dos etapas de filtración garantiza la purificación del ambiente interior, eliminando las partículas y contaminantes contenidos en éste, tales como: Polvo, polen, esporas, bacterias, virus y partículas finas PM10, PM2,5 y PM1.

No aptas para aplicaciones sanitarias tales como aportación de aire exterior en quirófanos, salas blancas o similares.

Bajo nivel sonoro gracias a su fabricación en chapa de acero galvanizado, con aislamiento acústico ininflamable (M0) de lana mineral de 30 mm de espesor, juntas estancas en aspiración y descarga, cierres de tipo tracción giratorio, de fácil apertura, y ventilador centrífugo de álabes hacia atrás.

Motor brushless de corriente continua, de alto rendimiento y bajo consumo, alimentación 230V±10% 50/60Hz, IP44, rodamientos a bolas, protector térmico, interruptor ON/OFF con potenciómetro incorporado para ajustar la velocidad y entrada

análogica para controlar el ventilador con una señal de 0-10V.

Todos los modelos tienen capacidad para el montaje de hasta 3 filtros.

Filtros

- Suministrada con filtros F7 (ePM1 70%)
y filtro absoluto HEPA H13 (e ≥99,95% s/EN-1822-1).
Es posible añadir un prefiltro (accesorio).

Sistema de montaje de filtros de alta eficacia con brazos de apriete. Gracias a los pomos roscados es posible realizar un buen apriete entre filtro y bastidor, minimizando el by-pass de aire exterior al filtro habitual en los filtros montados mediante guías.

Para poder alargar la vida útil de los filtros de alta eficacia, se recomienda añadir un prefiltro (G4 o M5), suministrado como accesorio.

Eficacia de filtración ≥99,95% según EN-1822-1. Con cada filtro HEPA H13 se suministra certificado de prueba unitario.

Otros datos

Pueden ser colocadas en cualquier posición.

Diseñadas para instalaciones en interior.

Temperatura de trabajo de -20°C a +40°C.

Filtros de alta eficacia y muy baja pérdida de carga.



Es imprescindible comprobar que las características eléctricas (voltaje, intensidad, frecuencia, etc) del motor que aparecen en la placa del mismo son compatibles con las de la instalación.

| Código | Modelo | Velocidad (r.p.m.) | Alimentación eléctrica | Potencia absorbida máxima (W) | Intensidad absorbida máxima (A) | Caudal máximo* (m³/h) | Nivel de presión sonora** (dB(A)) a 1,5 m | | | Peso (kg) | Grupo producto | Precio €/u. |
|------------|-----------------------------|--------------------|------------------------|-------------------------------|---------------------------------|-----------------------|---|----------|---------|-----------|----------------|-------------|
| | | | | | | | Aspiración | Descarga | Radiado | | | |
| 5160354200 | UPC-700/250 F7 H13 ECOWATT | 2800 | 230V/I/50-60Hz | 210 | 1,1 | 740 | 50 | 51 | 51 | 31 | E09 | 2.110,85 |
| 5160354300 | UPC-1000/315 F7 H13 ECOWATT | 2300 | 230V/I/50-60Hz | 235 | 1,4 | 1.090 | 45 | 48 | 47 | 38 | E09 | 2.335,80 |
| 5160354400 | UPC-1600/400 F7 H13 ECOWATT | 1800 | 230V/I/50-60Hz | 360 | 1,45 | 1.700 | 49 | 51 | 45 | 49 | E09 | 2.874,34 |

* Con filtro F7 y H13.

** Al 70% del caudal máximo con filtro F7 y H13.

ACCESORIOS

Filtros

| Código | Modelo | Grupo producto | Precio €/u. | Código | Modelo | Grupo producto | Precio €/u. |
|-------------------|----------------------|----------------|-------------|--------------------|----------------------|----------------|-------------|
| Filtros G4 | | | | Filtros F7 | | | |
| 2560003400 | AFR UVF-1100 G4 | E01 | 53,21 | 2560002900 | AFR UVF-1100 F7 | E01 | 110,39 |
| 2560003500 | AFR UVF-1500 G4 | E01 | 59,97 | 2560003000 | AFR UVF-1500 F7 | E01 | 124,35 |
| 2560003600 | AFR UVF-2500/3000 G4 | E01 | 75,40 | 2560003100 | AFR UVF-2500/3000 F7 | E01 | 156,33 |
| Filtros M5 | | | | Filtros H13 | | | |
| 2560003900 | AFR UVF-1100 M5 | E01 | 81,77 | 2560004700 | AFR UPC-700 H13 | E01 | 306,92 |
| 2560004000 | AFR UVF-1500 M5 | E01 | 92,12 | 2560004800 | AFR UPC-1000 H13 | E01 | 362,01 |
| 2560004100 | AFR UVF-2500/3000 M5 | E01 | 115,82 | 2560004900 | AFR UPC-1600 H13 | E01 | 420,99 |

Relación de filtros incluidos con el productos y accesorios

| Modelo Caja de ventilación | Incluidos con el producto | | Prefiltros (accesorios) | |
|-------------------------------|---------------------------|----------|-------------------------|----------------------|
| | F7 | H13 | G4 | M5 |
| UPC-700/250 ECOWATT | Incluido | Incluido | AFR UVF-1100 G4 | AFR UVF-1100 M5 |
| UPC-1000/315 ECOWATT | Incluido | Incluido | AFR UVF-1500 G4 | AFR UVF-1500 M5 |
| UPC-1600/400 ECOWATT | Incluido | Incluido | AFR UVF-2500/3000 G4 | AFR UVF-2500/3000 M5 |

UP PRO-REG



Unidades purificadoras de aire para instalación en falsos techos o en pared. Aptas tanto para el montaje integrado en redes de conductos como para su funcionamiento como unidades autónomas.

El módulo principal incluye las siguientes etapas: Prefiltración G4, ventilador/es, filtro intermedio F7 ePM1 50% y filtro absoluto H14 (e>99,995% s/EN-1822-1).

La recirculación del aire interior por las tres etapas de filtración garantiza la purificación continua del ambiente interior, eliminando las partículas y contaminantes contenidos en éste, tales como: Polvo, polen, esporas, bacterias, virus y partículas finas PM10, PM2,5 y PM1.

Control

Incluye: un control de funcionamiento integral, ubicado en el interior del armario eléctrico y cableado

a todos los componentes del equipo (ventiladores, transmisor de caudal y detectores de ensuciamiento de filtros).

Incluye mando para el control remoto (cableado). Permite el control manual o automático de los ventiladores.

Bajo pedido

Opción de equipar baterías de agua, expansión directa o baterías eléctricas de calefacción.

Accesorios / Módulos

- Plenums con rejillas
- Plenums sin rejillas
- Rejillas
- Silenciadores
- Módulos de mezcla

| Modelo | Alimentación eléctrica | Potencia total ventiladores (kW) | Intensidad máxima total (A) | Caudal nominal (m³/h) | Presión estática disponible a filtros limpios (Pa) | Superficie a tratar* (m²) | Dimensiones conexiones aire (mm) | Peso (kg) |
|-------------|------------------------|----------------------------------|-----------------------------|-----------------------|--|---------------------------|----------------------------------|-----------|
| UP-1200 H14 | 1F /230V, 50-60Hz | 0,46 | 2,0 | 1.200 | 140 | 100 - 133 | 690 x 300 | 120 |
| UP-2300 H14 | 1F /230V, 50-60Hz | 0,9 | 3,9 | 2.300 | 210 | 192 - 256 | 1040 x 350 | 160 |
| UP-3600 H14 | 1F /230V, 50-60Hz | 1,7 | 7,5 | 3.600 | 310 | 300 - 400 | 1440 x 350 | 235 |
| UP-5200 H14 | 3+N/400V, 50-60Hz | 2 | 3,7 | 5.200 | 235 | 433 - 578 | 1840 x 440 | 292 |

* Aplicación locales comerciales y oficinas con 3 metros de altura libre a techo.

| Modelo | L | R | Grupo producto | Precio €/u. |
|---------------------|------------|------------|----------------|------------------|
| UP 1200 H14 PRO-REG | 5160346100 | 5160346200 | E09 | 7.922,11 |
| UP 2300 H14 PRO-REG | 5160346300 | 5160346400 | E09 | 10.501,39 |
| UP 3600 H14 PRO-REG | 5160346500 | 5160346600 | E09 | 12.942,10 |
| UP 5200 H14 PRO-REG | 5160346700 | 5160346800 | E09 | 16.066,02 |

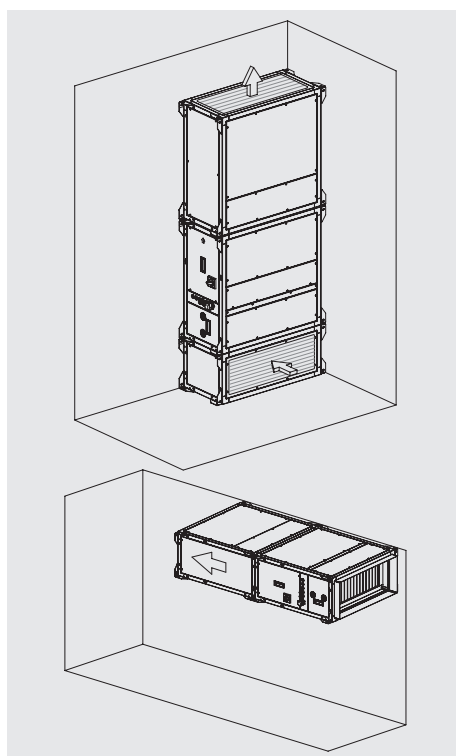
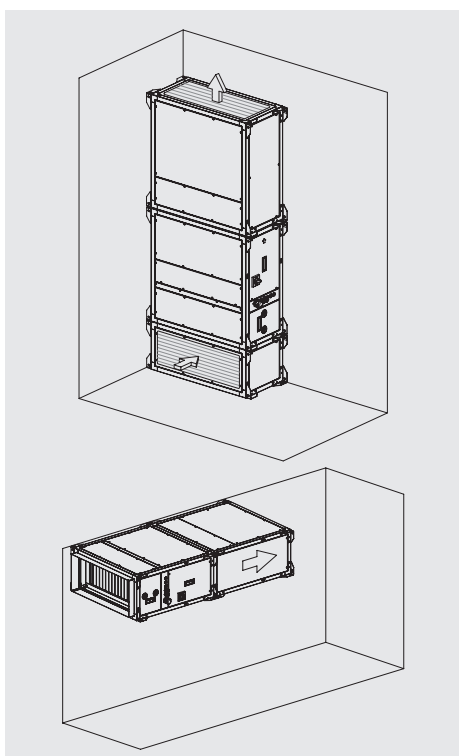
CONFIGURACIONES

Lado de conexiones

Todos los modelos UP están disponibles con lado de conexiones en el lado izquierdo (Versión L) y en el lado derecho (Versión R).

R: Conexiones en lado DERECHO

L: Conexiones en lado IZQUIERDO



UP ECOWATT



Unidades purificadoras de aire para instalación en falsos techos o en pared. Aptas tanto para el montaje integrado en redes de conductos como para su funcionamiento como unidades autónomas. El módulo principal incluye las siguientes etapas: Prefiltración G4, ventilador/es, filtro intermedio F7 ePM1 50% y filtro absoluto H14 (e>99,995% s/EN-1822-1). Junto con cada purificador UP se suministra un certificado individual que acredita que cada filtro ha superado el correspondiente ensayo de laboratorio. La recirculación del aire interior por las tres etapas de filtración garantiza la purificación continua del ambiente interior, eliminando las partículas y contaminantes contenidos en éste, tales como: Polvo, polen, esporas, bacterias, virus y partículas finas PM10, PM2,5 y PM1.

Versión sin control integrado

Requiere la instalación de un control externo (accesorio). El ajuste de la velocidad de los ventiladores puede realizarse mediante el potenciómetro existente en el interior del armario eléctrico o a través de señal externa 0-10V. Se suministran 2 presostatos que permiten realizar el control de ensuciamiento de los filtros F7 y H14.

Bajo pedido

Opción de equipar baterías de agua, expansión directa o baterías eléctricas de calefacción.

Accesorios / Módulos

- Plenums con rejillas
- Plenums sin rejillas
- Rejillas
- Silenciadores
- Módulos de mezcla

| Modelo | Alimentación eléctrica | Potencia total ventiladores (kW) | Intensidad máxima total (A) | Caudal nominal (m³/h) | Presión estática disponible a filtros limpios (Pa) | Superficie a tratar* (m²) | Dimensiones conexiones aire (mm) | Peso (kg) |
|-------------|------------------------|----------------------------------|-----------------------------|-----------------------|--|---------------------------|----------------------------------|-----------|
| UP-1200 H14 | 1F /230V, 50-60Hz | 0,46 | 2,0 | 1.200 | 140 | 100 - 133 | 690 x 300 | 120 |
| UP-2300 H14 | 1F /230V, 50-60Hz | 0,9 | 3,9 | 2.300 | 210 | 192 - 256 | 1040 x 350 | 160 |
| UP-3600 H14 | 1F /230V, 50-60Hz | 1,7 | 7,5 | 3.600 | 310 | 300 - 400 | 1440 x 350 | 235 |
| UP-5200 H14 | 3+N/400V, 50-60Hz | 2 | 3,7 | 5.200 | 235 | 433 - 578 | 1840 x 440 | 292 |

* Aplicación locales comerciales y oficinas con 3 metros de altura libre a techo.

| Modelo | L | R | Grupo producto | Precio €/u. |
|---------------------|------------|------------|----------------|------------------|
| UP-1200 H14 ECOWATT | 5160347900 | 5160348000 | E09 | 4.616,65 |
| UP-2300 H14 ECOWATT | 5160348100 | 5160348200 | E09 | 7.430,41 |
| UP-3600 H14 ECOWATT | 5160348300 | 5160348400 | E09 | 10.093,02 |
| UP-5200 H14 ECOWATT | 5160348500 | 5160348600 | E09 | 12.375,83 |

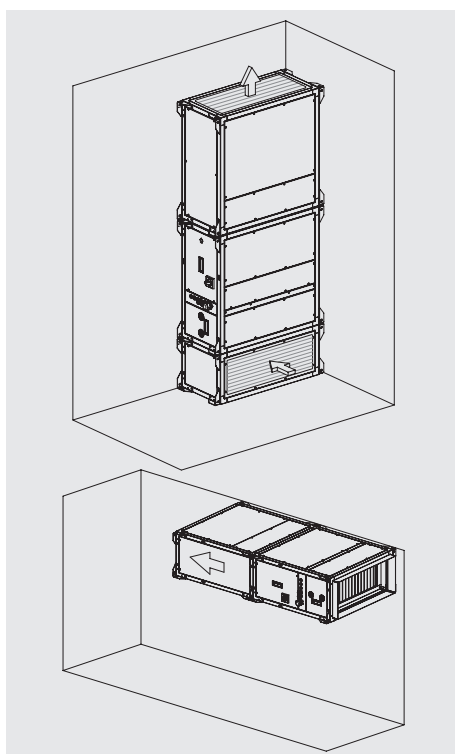
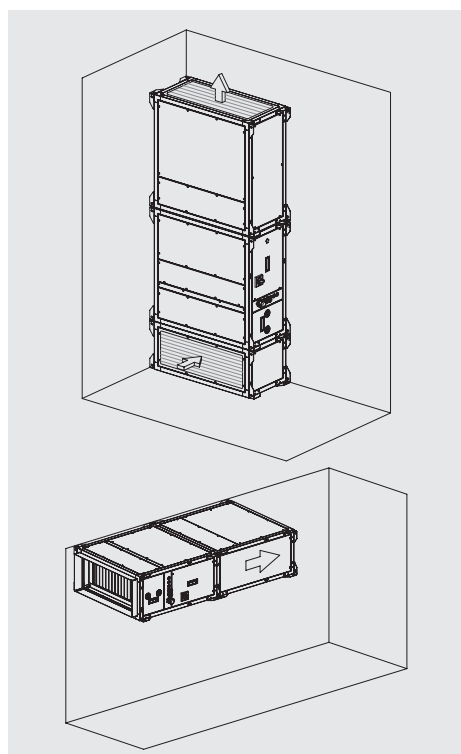
CONFIGURACIONES

Lado de conexiones

Todos los modelos UP están disponibles con lado de conexiones en el lado izquierdo (Versión L) y en el lado derecho (Versión R).

R: Conexiones en lado DERECHO

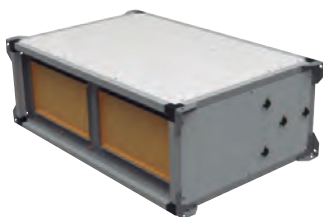
L: Conexiones en lado IZQUIERDO



ACCESORIOS PARA LAS SERIES UP PRO-REG Y UP ECOWATT

| Código | Modelo | Grupo producto | Precio €/u. |
|--------------------------------|------------------------------|----------------|-----------------|
| Silenciadores | | | |
| 5160002600 | SIL-2 750 | E09 | 973,80 |
| 5160000100 | SIL-3 750 | E09 | 1.101,85 |
| 5160002700 | SIL-5 750 | E09 | 1.380,92 |
| 5160002800 | SIL-8 750 | E09 | 1.751,11 |
| Plenum 90° con rejilla | | | |
| 5160346900 | PB-VR-2 | E09 | 704,19 |
| 5160347000 | PB-VR-3 | E09 | 886,83 |
| 5160347100 | PB-VR-5 | E09 | 1.164,55 |
| 5160347300 | PB-VR-8 UP | E09 | 1.359,36 |
| Plenum 90° sin rejilla | | | |
| 5160312200 | PB-V-2 | E09 | 621,24 |
| 5160312300 | PB-V-3 | E09 | 723,56 |
| 5160312400 | PB-V-5 | E09 | 821,60 |
| 5160347400 | PB-V-8 UP | E09 | 976,49 |
| Rejilla para descarga superior | | | |
| 5800028900 | REJILLA UTBS-2 | E09 | 92,78 |
| 5800029000 | REJILLA UTBS-3 | E09 | 173,09 |
| 5800029100 | REJILLA UTBS-5 | E09 | 350,26 |
| 5800029200 | REJILLA UTBS-8 | E09 | 392,16 |
| Filtro recambio G4 | | | |
| 5402055800 | AFR-UTBS-2-G4 | E09 | 54,49 |
| 5402055900 | AFR-UTBS-3-G4 | E09 | 81,14 |
| 5402056000 | AFR-UTBS-5-G4 | E09 | 132,33 |
| 5402056100 | AFR-UTBS-8-G4 | E09 | 186,06 |
| Filtro recambio F7 | | | |
| 5402057000 | AFR-UTBS-2-F7 | E09 | 135,60 |
| 5402057100 | AFR-UTBS-3-F7 | E09 | 202,74 |
| 5402057200 | AFR-UTBS-5-F7 | E09 | 294,79 |
| 5402057300 | AFR-UTBS-8-F7 | E09 | 352,38 |
| Filtro recambio H14 | | | |
| 5800029300 | AFR H14 UP 1200 | E09 | 337,98 |
| 5800029400 | AFR H14 UP 2300 (2 unidades) | E09 | 1.324,15 |
| 5800029500 | AFR H14 UP 3600 (2 unidades) | E09 | 1.464,35 |
| 5800029600 | AFR H14 UP 5200 (2 unidades) | E09 | 1.863,02 |

FB F7 H14



Módulos filtrantes sin ventilador, equipadas con filtros F7 y H14, destinados a la filtración y purificación del aire, especialmente idóneos para integrar en instalaciones de climatización en las que el aire interior es recirculado de forma continua a través de los filtros, en los que se produce la retención de las partículas contenidas en éste (polvo, polen, esporas, bacterias y virus). Los módulos filtrantes integran dos etapas de filtración, siendo posible añadir un prefiltro (accesorio) para proteger los filtros y extender los tiempos entre mantenimiento. En la primera etapa con el filtro F7 se produce el filtrado de partículas finas como polen, polvo y esporas, así como el 50% de las partículas menores a 1 micra. Finalmente el filtro absoluto retiene las partículas inferiores a 1 micra entre ellas hongos, bacterias y virus.

Envolvente con paneles tipo sándwich con aislamiento interior de lana mineral, de 25 mm de espesor. Acabado exterior de chapa galvanizada (con revestimiento plastificado exterior en modelos FB-2 a FB-6) y acabado interior de chapa galvanizada. El acceso rápido a los filtros se realiza mediante desmontaje del panel inferior. También es posible el acceso desde la parte superior. Tomas de presión a ambos lados de cada sección filtrante, para la instalación de presostatos. Junto con el módulo filtrante se suministran dos presostatos.

Versiones

STD: Compatibles con las unidades de climatización de las gamas UTC y UTBS.
IC OC: Integrables en redes de conducto de sistemas HVAC.

Versiones STD para integrar en módulos UTC/UTBS

| Código | Modelo | Grupo producto | Precio €/u. |
|------------|--------------|----------------|-------------|
| 5160350500 | FB 2 F7 H14 | E09 | 3.450,04 |
| 5160350600 | FB 4 F7 H14 | E09 | 3.812,24 |
| 5160350700 | FB 6 F7 H14 | E09 | 4.347,85 |
| 5160350800 | FB 9 F7 H14 | E09 | 6.092,15 |
| 5160350900 | FB 12 F7 H14 | E09 | 6.801,28 |
| 5160351000 | FB 15 F7 H14 | E09 | 7.913,06 |
| 5160351100 | FB 18 F7 H14 | E09 | 8.824,50 |

Versiones IC OC para integrar en redes de conductos

| Código | Modelo | Grupo producto | Precio €/u. |
|------------|--------------------|----------------|-------------|
| 5160351700 | FB 2 F7 H14 IC OC | E09 | 3.553,54 |
| 5160351800 | FB 4 F7 H14 IC OC | E09 | 3.926,61 |
| 5160351900 | FB 6 F7 H14 IC OC | E09 | 4.478,26 |
| 5160352000 | FB 9 F7 H14 IC OC | E09 | 6.274,93 |
| 5160352100 | FB 12 F7 H14 IC OC | E09 | 7.005,31 |
| 5160352200 | FB 15 F7 H14 IC OC | E09 | 8.150,46 |
| 5160352300 | FB 18 F7 H14 IC OC | E09 | 9.089,24 |

FILTROS DE RECAMBIO

| Código | Modelo | Grupo producto | Precio €/u. |
|-------------|--------------------------------|----------------|-------------|
| Filtros F7 | | | |
| 5402057100 | AFR-UTBS-3-F7 | E09 | 202,74 |
| 5402057200 | AFR-UTBS-5-F7 | E09 | 294,79 |
| 5402057300 | AFR-UTBS-8-F7 | E09 | 352,38 |
| 5402089900 | AFR-UTC-9 F7 (3 unidades) | E09 | 515,32 |
| 5402090200 | AFR-UTC-12 F7 (4 unidades) | E09 | 694,72 |
| 5402090500 | AFR-UTC-15 F7 (4 unidades) | E09 | 838,57 |
| 5402090800 | AFR-UTC-18 F7 (4 unidades) | E09 | 953,47 |
| Filtros H14 | | | |
| 5800029400 | AFR H14 UP 2300 (2 unidades) | E09 | 1.324,15 |
| 5800029500 | AFR H14 UP 3600 (2 unidades) | E09 | 1.464,35 |
| 5800029600 | AFR H14 UP 5200 (2 unidades) | E09 | 1.863,02 |
| 5800037900 | AFR H14 FB-9 UTC (3 unidades) | E09 | 3.160,42 |
| 5800038000 | AFR H14 FB-12 UTC (3 unidades) | E09 | 3.477,79 |
| 5800038100 | AFR H14 FB-15 UTC (3 unidades) | E09 | 4.118,68 |
| 5800038200 | AFR H14 FB-18 UTC (3 unidades) | E09 | 4.673,49 |

Deshumidificadores

Serie DHUM-EN



Deshumidificadores domésticos, compactos, portátiles, fáciles de desplazar y ubicar, acordes a la Regulación Europea nº 517/2014, referente al uso de gases de efecto invernadero. Disponibles en 4 versiones según la capacidad de deshumidificación: 12L., 16L., 20L. y 30L.

Características:

- Compresor rotativo muy silencioso.
- Humidostato electrónico que permite seleccionar la humedad deseada y display indicador de humedad ambiente.
- 2 velocidades y 3 modos de funcionamiento: MANUAL, CONTINUO Y AUTOMÁTICO. Este último selecciona la humedad en función de la temperatura ambiente.

- Temporizador programable entre 1 y 24 horas.
- Función de descongelación: se activa cuando la temperatura ambiente es inferior a 15°C aproximadamente.
- Rearme automático, en caso de corte de suministro eléctrico.
- Indicador saturación del depósito.
- Desconexión de la unidad cuando el depósito de agua está lleno.
- Asas para transporte.
- Temperatura de funcionamiento: 5 - 32°C.

| Código | Modelo | Tensión 50Hz (V) | Potencia (W) | Intensidad absorbida máxima (A) | Nivel de potencia sonora [dB(A)] | Capacidad deshumidificación (Litros/24H.) [30°C/80 H.R.] | Capacidad depósito (L.) | Superficie de influencia* (m²) | Tipo de gas | Potencial de Calentamiento Atmosférico del gas (PCA) | Velocidades | Color RAL | Peso (kg) | Dimensiones L x A x H (mm) | Unids. por caja | Grupo producto | Precio €/u. |
|------------|------------|------------------|--------------|---------------------------------|----------------------------------|--|-------------------------|--------------------------------|-------------|--|-------------|--------------------------|-----------|----------------------------|-----------------|----------------|---------------|
| 5261001200 | DHUM-12 EN | 230 | 200 | 1,4 | 40 | 12 | 2 | 30 | R290 | 3 | 2 | Blanco 9003 / Negro 9005 | 12 | 365x220x490 | 1 | E70 | 272,30 |
| 5261001300 | DHUM-16 EN | 230 | 350 | 2,1 | 42 | 16 | 2 | 40 | R290 | 3 | 2 | Blanco 9003 / Negro 9005 | 13 | 365x220x490 | 1 | E70 | 306,72 |
| 5261001400 | DHUM-20 EN | 230 | 415 | 2,2 | 42 | 20 | 2 | 45 | R290 | 3 | 2 | Blanco 9003 / Negro 9005 | 13 | 365x220x490 | 1 | E70 | 339,34 |
| 5261001500 | DHUM-30 EN | 230 | 520 | 2,3 | 46 | 30 | 7 | 50 | R290 | 3 | 2 | Blanco 9003 / Negro 9005 | 19 | 481x286x628 | 1 | E70 | 462,11 |

* Información orientativa para una altura de techo de 2,5 m.

Estos aparatos contienen gases fluorados de efecto invernadero regulados por el Protocolo de Kyoto. Aparatos sellados herméticamente.

Humidificadores

HUMI-ED



Humidificador ultrasónico con pantalla LCD que muestra la humedad relativa, la temperatura ambiente y el estado de las diferentes funciones.

Características:

- Humidostato electrónico para seleccionar con precisión la H.R. entre 45 - 90%.
- 3 caudales de nebulización y difusor orientable 360°.
- Temporizador programable de 1-12 h.
- Indicador en pantalla y acústico de depósito de agua vacío.
- Mando a distancia para control remoto.
- Filtro para impurezas del agua.

| Código | Modelo | Tensión 50Hz (V) | Potencia (W) | Intensidad absorbida máxima (A) | Nivel de nebulización máxima* (cm ³ /h) | Superficie de influencia (m ²) | Capacidad depósito (L.) | Color | Peso (kg) | Dimensiones L x A x H (mm) | Unids. por caja | Grupo producto | Precio €/u. |
|------------|---------|------------------|--------------|---------------------------------|--|--|-------------------------|----------------|-----------|----------------------------|-----------------|----------------|-------------|
| 5249003500 | HUMI-ED | 230 | 30 | 0,15 | 330 | 33 | 4,7 | Blanco / negro | 2,5 | 240x250x350 | 4 | E70 | 118,16 |

* Temperatura del agua a 20°C.

VENTILADORES DE SOBREMESA Y COLUMNA



484 ARTIC N GR



485 ARTIC CN GR



485 ARTIC CN TC

VENTILADORES DE PARED Y TECHO



486 ARTIC PM GR



486 ARTIC PRC GR



486 ARTIC R

VENTILADORES BOX FAN



487 METEOR-ES N



487 METEOR NT

Todos los motores incorporados en nuestros productos cumplen con el Reglamento CE nº 640/2009.



Series que cumplen con la Directiva ErP.

VENTILADORES DE TORRE



488 ARTIC TOWER M



488 ARTIC TOWER E

CIRCULADORES DE AIRE



488 ARTIC-305 JET



489 TURBO 3000



489 TURBO-N



489 TURBO CN PLUS

VENTILADORES DE TECHO

NOVEDAD



490 HTD



491 HTB



492 HTB-2500/3000

Ventiladores de sobremesa

Serie ARTIC N GR



Ventiladores de sobremesa que proporcionan gran caudal de aire de manera silenciosa.

Características

- 3 velocidades de ventilación (modelo 255, 2 velocidades).
- Cabezal inclinable y oscilante que optimiza la distribución del aire.
- Reja de seguridad desmontable.
- Asa para transporte.

Es imprescindible comprobar que las características eléctricas (voltaje, intensidad, frecuencia, etc) del motor que aparecen en la placa del mismo son compatibles con las de la instalación.

| Código | Modelo | Tensión 50Hz (V) | Potencia nominal (W) | Caudal de aire máximo* (m³/h) | Velocidad salida aire máxima (m/s) | Nivel potencia acústica máxima [dB(A)] | Nº velocidades | Cabezal | | Motor con protección térmica | Longitud cable (mm) | Color | Peso (kg) | Dimensiones (mm) | | Unids. por caja | Grupo producto | Precio €/u. |
|------------|----------------|------------------|----------------------|-------------------------------|------------------------------------|--|----------------|------------|------------------|------------------------------|---------------------|-------|-----------|------------------|--------|-----------------|----------------|--------------|
| | | | | | | | | Inclinable | Fijo / Oscilante | | | | | Ø Hélice | Altura | | | |
| 5301976000 | ARTIC-255 N GR | 230 | 35 | 1.105 | 3,2 | 48 | 2 | • | • | • | 1.500 | Gris | 2,1 | 255 | 420 | 4 | E50 | 29,88 |
| 5301515200 | ARTIC-305 N GR | 230 | 35 | 2.015 | 2,15 | 56 | 3 | • | • | • | 1.500 | Gris | 2,8 | 300 | 500 | 2 | E50 | 35,89 |
| 5301515400 | ARTIC-405 N GR | 230 | 50 | 3.300 | 2,65 | 62 | 3 | • | • | • | 1.500 | Gris | 3,2 | 400 | 590 | 2 | E50 | 40,59 |

* Los caudales de aire indicados incluyen los caudales inducidos según norma IEC 60879.

Ventiladores de columna

Serie ARTIC CN GR



Ventiladores de columna que proporcionan gran caudal de aire de manera silenciosa.

Características

- 3 velocidades de ventilación.
- Cabezal inclinable y oscilante que optimiza la distribución del aire.
- Reja de seguridad desmontable.
- Base de gran estabilidad.
- Altura regulable entre 114 y 134 cm.
- Asa para transporte.

Es imprescindible comprobar que las características eléctricas (voltaje, intensidad, frecuencia, etc) del motor que aparecen en la placa del mismo son compatibles con las de la instalación.

| Código | Modelo | Tensión 50Hz (V) | Potencia nominal (W) | Caudal de aire máximo* (m³/h) | Velocidad salida aire máxima (m/s) | Nivel potencia acústica máxima (dB(A)) | Nº velocidades | Cabezal | | Motor con protección térmica | Longitud cable (mm) | Color | Peso (kg) | Dimensiones (mm) | | Unids. por caja | Grupo producto | Precio €/u. |
|------------|-----------------|------------------|----------------------|-------------------------------|------------------------------------|--|----------------|------------|------------------|------------------------------|---------------------|-------|-----------|------------------|-----------|-----------------|----------------|-------------|
| | | | | | | | | Inclinable | Fijo / Oscilante | | | | | Ø Hélice | Altura | | | |
| 5301515300 | ARTIC-405 CN GR | 230 | 50 | 3.300 | 2,65 | 62 | 3 | • | • | • | 1.500 | Gris | 5,5 | 400 | 1140-1340 | 2 | E50 | 51,52 |

* Los caudales de aire indicados incluyen los caudales inducidos según norma IEC 60879.

Serie ARTIC CN TC



Ventiladores de columna que proporcionan gran caudal de aire de manera silenciosa.

Características

- 6 velocidades de ventilación.
- Cabezal inclinable y oscilante que optimiza la distribución del aire.
- Reja de seguridad desmontable.
- Base de gran estabilidad.
- Altura regulable entre 114 y 134 cm.
- Asa para transporte.
- Mando a distancia.
- Temporizador programable de 1 a 9 h.

El temporizador dispone de 2 funciones:

- TIMER ON - programa el tiempo para poner en marcha el ventilador.
- TIMER OFF - programa el tiempo para desconectar el ventilador.

Es imprescindible comprobar que las características eléctricas (voltaje, intensidad, frecuencia, etc) del motor que aparecen en la placa del mismo son compatibles con las de la instalación.

| Código | Modelo | Tensión 50Hz (V) | Potencia nominal (W) | Caudal máximo de aire* (m³/h) | Velocidad salida aire máxima (m/s) | Nivel potencia acústica máxima (dB(A)) | Nº velocidades | Cabezal | | Motor con protección térmica | Longitud cable (mm) | Color | Peso (kg) | Dimensiones (mm) | | Unids. por caja | Grupo producto | Precio €/u. |
|------------|-----------------|------------------|----------------------|-------------------------------|------------------------------------|--|----------------|------------|------------------|------------------------------|---------------------|-------|-----------|------------------|-----------|-----------------|----------------|-------------|
| | | | | | | | | Inclinable | Fijo / Oscilante | | | | | Ø Hélice | Altura | | | |
| 5301976300 | ARTIC-405 CN TC | 230 | 50 | 3.300 | 2,65 | 62 | 6 | • | • | • | 1.500 | Negro | 5,5 | 400 | 1140-1340 | 2 | E50 | 129,91 |

* El caudal de aire indicado incluye el caudal inducido.

Ventiladores de pared

Serie ARTIC PM GR / PRC GR



ARTIC-405 PM GR

ARTIC-405 PRC GR

Ventiladores de pared que proporcionan gran caudal de aire de manera silenciosa.

Características

- 3 velocidades.
- Temporizador.
- Reja de seguridad desmontable.
- El modelo ARTIC-405 PM GR, se acciona mediante 2 tiradores que facilitan el control de las velocidades y la oscilación.
- El modelo ARTIC-405 PRC GR incorpora mando a distancia y las funciones BRISA y NOCHE.

Función Brisa

El ventilador alterna las diferentes velocidades simulando una brisa natural. En la figura 1 se indica el ciclo de funcionamiento según la velocidad seleccionada.

Función Noche

El ventilador alterna los diferentes ciclos de la Función Brisa según indicamos a continuación:

| Seleccionando la función NOCHE a: | El ventilador ejecuta el ciclo: |
|-----------------------------------|---|
| Velocidad Lenta | BRISA Vel. Baja (Permanente) |
| Velocidad Media | BRISA Vel. Media (30 min.) Vel. Baja (Permanente) |
| Velocidad Alta | BRISA Vel. Rápida (30 min.) Vel. Media (30 min.) Vel. Baja (Permanente) |

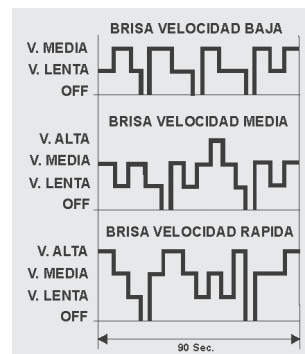


Figura 1

Es imprescindible comprobar que las características eléctricas (voltaje, intensidad, frecuencia, etc) del motor que aparecen en la placa del mismo son compatibles con las de la instalación.

| Código | Modelo | Tensión 50Hz (V) | Potencia nominal (W) | Intensidad (A) | Caudal de aire máximo* (m³/h) | Velocidad salida aire máxima (m/s) | Nivel potencia acústica máxima (dB(A)) | Temporizador regulable | Nº velocidades | Mando a distancia (con soporte pared) | Cabezal | | Longitud cable (mm) | Color | Peso (kg) | Dimensiones (mm) | | Unids. por caja | Grupo producto | Precio €/u. |
|------------|------------------|------------------|----------------------|----------------|-------------------------------|------------------------------------|--|------------------------|----------------|---------------------------------------|------------|------------------|---------------------|-------|-----------|------------------|--------|-----------------|----------------|-------------|
| | | | | | | | | | | | Inclinable | Fijo / Oscilante | | | | Ø Hélice | Altura | | | |
| 5301976100 | ARTIC-405 PM GR | 230 | 50 | 0,22 | 3.300 | 2,65 | 62 | 10 a 180 min. | 3 | | • | • | 1.500 | Gris | 5 | 400 | 560 | 1 | E50 | 63,05 |
| 5301976200 | ARTIC-405 PRC GR | 230 | 50 | 0,22 | 3.300 | 2,65 | 62 | 1 a 8 h. | 3 | • | • | • | 1.500 | Gris | 5 | 400 | 560 | 1 | E50 | 79,08 |

* Los caudales de aire indicados incluyen los caudales inducidos según norma IEC 60879.

Ventiladores de techo

Serie ARTIC R



Ventiladores de techo que proporcionan gran caudal de aire de manera silenciosa, de fácil instalación.

Características

- Cabezal oscilante de 360°.
- Rejilla de alta protección que permite la instalación en alturas inferiores a 2,30 m.
- Regulador de 3 velocidades.

Es imprescindible comprobar que las características eléctricas (voltaje, intensidad, frecuencia, etc) del motor que aparecen en la placa del mismo son compatibles con las de la instalación.

| Código | Modelo | Tensión 50Hz (V) | Potencia nominal (W) | Intensidad (A) | Caudal de aire máximo* (m³/h) | Velocidad salida aire máxima (m/s) | Nivel potencia acústica máxima (dB(A)) | Nº velocidades | Cabezal Oscilante | Motor con protección térmica | Color | Peso (kg) | Dimensiones (mm) | | Unids. por caja | Grupo producto | Precio €/u. |
|------------|-------------|------------------|----------------------|----------------|-------------------------------|------------------------------------|--|----------------|-------------------|------------------------------|-------|-----------|------------------|--------|-----------------|----------------|-------------|
| | | | | | | | | | | | | | Ø Hélice | Altura | | | |
| 5301514500 | ARTIC-400 R | 230 | 60 | 0,26 | 3.300 | 2,6 | 59 | 3 | 360° | • | Gris | 6 | 400 | 350 | 1 | E50 | 80,57 |

* Los caudales de aire indicados incluyen los caudales inducidos según norma IEC 60879.

Ventiladores BOX FAN

Serie METEOR-ES N



Ventiladores box-fan que proporcionan gran caudal de aire de manera silenciosa.

Características

- 3 velocidades de ventilación.
- Temporizador de 180 minutos.
- Reja difusora con dos opciones: posición fija y giro continuo de 360°.
- Rejilla posterior de seguridad.
- Asa de transporte.

Es imprescindible comprobar que las características eléctricas (voltaje, intensidad, frecuencia, etc) del motor que aparecen en la placa del mismo son compatibles con las de la instalación.

| Código | Modelo | Tensión 50Hz (V) | Potencia nominal (W) | Caudal de aire* (m³/h) | Velocidad salida aire máxima (m/s) | Nivel potencia acústica máxima (dB(A)) | Temporizador regulable | Nº velocidades | Longitud cable (mm) | Color | Peso (kg) | Ø Hélice (mm) | Dimensiones L x A x H (mm) | Unids. por caja | Grupo producto | Precio €/u. |
|------------|-------------|------------------|----------------------|------------------------|------------------------------------|--|------------------------|----------------|---------------------|-------|-----------|---------------|----------------------------|-----------------|----------------|-------------|
| 5301975900 | METEOR-ES N | 230 | 35 | 2.184/1.550/1.250 | 3,4 | 50 | 10 a 180 min. | 3 | 1.600 | Gris | 2,8 | 300 | 380x170x460 | 1 | E50 | 41,22 |

* Los caudales de aire indicados incluyen los caudales inducidos según norma IEC 60879.

Serie METEOR-NT



Ventiladores box-fan que proporcionan gran caudal de aire de manera silenciosa.

Características

- 3 velocidades de ventilación.
- Temporizador de 120 minutos.
- Reja difusora con dos opciones: posición fija y giro continuo de 360°.
- 5 posiciones de inclinación, para orientar la salida del aire.
- Colgable en pared o techo.
- Rejilla posterior de seguridad.
- Recogecables.
- Asa de transporte.

Es imprescindible comprobar que las características eléctricas (voltaje, intensidad, frecuencia, etc) del motor que aparecen en la placa del mismo son compatibles con las de la instalación.

| Código | Modelo | Tensión 50Hz (V) | Potencia nominal (W) | Caudal de aire* (m³/h) | Velocidad salida aire máxima (m/s) | Nivel potencia acústica máxima (dB(A)) | Temporizador regulable | Nº velocidades | Motor con protección térmica | Longitud cable (mm) | Color | Peso (kg) | Ø Hélice (mm) | Dimensiones L x A x H (mm) | Unids. por caja | Grupo producto | Precio €/u. |
|------------|-----------|------------------|----------------------|------------------------|------------------------------------|--|------------------------|----------------|------------------------------|---------------------|-------|-----------|---------------|----------------------------|-----------------|----------------|-------------|
| 5301468400 | METEOR-NT | 230 | 55 | 5.195/4.394/3.905 | 3 | 52 | 10-120 min | 3 | • | 1.600 | Gris | 4,9 | 300 | 405x200x520 | 1 | E50 | 92,82 |

* Los caudales de aire indicados incluyen los caudales inducidos según norma IEC 60879.

Ventiladores de torre

Serie ARTIC TOWER



ARTIC TOWER M

ARTIC TOWER E

Ventiladores de torre que ocupan poco espacio y de fácil ubicación.

Características

- 3 velocidades y cuerpo oscilante.
- Depósito aromatizador para utilizar con productos aromáticos. (No incluidos)
- Asa para transporte.
- Malla filtro de aire.

El modelo ARTIC TOWER E incorpora además temporizador, mando a distancia y sistema de ahorro energético: el aparato se desconecta automáticamente a partir de las 8h de funcionamiento.

El temporizador dispone de 2 funciones:

- TIMER ON - programa el tiempo para poner en marcha el ventilador.
- TIMER OFF - programa el tiempo para desconectar el ventilador.

Es imprescindible comprobar que las características eléctricas (voltaje, intensidad, frecuencia, etc) del motor que aparecen en la placa del mismo son compatibles con las de la instalación.

| Código | Modelo | Tensión 50Hz (V) | Potencia nominal (W) | Caudal de aire máximo* (m³/h) | Velocidad salida aire máxima (m/s) | Nivel potencia acústica máxima (dB(A)) | Nº velocidades | Temporizador regulable | Movimiento cuerpo oscilante | | Mando a distancia | Color | Peso (kg) | Longitud cable (mm) | Dimensiones L x A x H (mm) | Unids. por caja | Grupo producto | Precio €/u. |
|------------|---------------|------------------|----------------------|-------------------------------|------------------------------------|--|----------------|------------------------|-----------------------------|-----------|-------------------|------------|-----------|---------------------|----------------------------|-----------------|----------------|-------------|
| | | | | | | | | | Fijo | Oscilante | | | | | | | | |
| 5301515500 | ARTIC TOWER M | 230 | 40 | 790 | 2,1 | 49 | 3 | - | • | 80° | - | Blanco | 3 | 1.500 | 280x280x900 | 2 | E50 | 55,15 |
| 5301515600 | ARTIC TOWER E | 230 | 40 | 790 | 2,1 | 49 | 3 | 1 a 8 h. | • | 80° | • | Metalizado | 3 | 1.500 | 280x280x900 | 2 | E50 | 59,90 |

* Los caudales de aire indicados incluyen los caudales inducidos según norma IEC 60879.

Circuladores de aire de suelo

Serie ARTIC-305 JET



Circulador de aire compacto especialmente diseñado para obtener una proyección del aire de gran alcance, gran volumen y de manera aerodinámica.

Características

- 12 velocidades de ventilación.
- Cabezal inclinable de 0° a 90° para optimizar la distribución del aire.
- Hélice de 7 palas.
- Reja frontal con directriz interna para lograr una proyección del dardo de aire hasta una distancia de 6m.
- Motor DC brushless silencioso y consumo muy reducido de 30W proporcionando gran ahorro de energía.

- Temporizador de 15 horas para programar la conexión y la desconexión.
- Control remoto magnético para ubicar en la base del ventilador.
- Asa para transporte.
- Protección térmica del motor por sobre-intensidad.
- Clase II.

Aplicaciones domésticas, comerciales para la ventilación de una o varias estancias en viviendas, oficinas y comercios.

Es imprescindible comprobar que las características eléctricas (voltaje, intensidad, frecuencia, etc) del motor que aparecen en la placa del mismo son compatibles con las de la instalación.

| Código | Modelo | Tensión 50-60 Hz (V) | Intensidad (A) | Potencia nominal (W) | Caudal de aire* (m³/h) | Velocidad salida aire máxima a 1m (m/s) | Nivel presión sonora a 1 m (dB(A)) | Temporizador regulable | Mando a distancia | Nº de velocidades | Color | Longitud cable (mm) | Peso (Kg) | Ø Hélice (mm) | Dimensiones L x A x H (mm) | Unids. por caja | Grupo producto | Precio €/u. |
|------------|---------------|----------------------|----------------|----------------------|------------------------|---|------------------------------------|------------------------|-------------------|-------------------|----------------|---------------------|-----------|---------------|----------------------------|-----------------|----------------|-------------|
| 5301976500 | ARTIC-305 JET | 230 | 0,15 | 30 | 2.100 | 3,6 | 53 | 1 a 15h | • | 12 | Blanco / Negro | 1500 | 3 | 270 | 350x320x400 | 2 | E50 | 77,90 |

* Los caudales de aire indicados incluyen los caudales inducidos según norma IEC 60879.

Serie TURBO-3000



Circuladores de aire especialmente diseñados para mover grandes volúmenes de aire.

Características

- Motor blindado, IP54, con vida asegurada de más de 30.000 horas de funcionamiento.

Aplicaciones

- Domésticas, comerciales e industriales.
- Ventilación de una o varias estancias en viviendas, oficinas y comercios.
 - Ventilación de puestos de trabajo en fundiciones, siderúrgicas, empresas del vidrio,...
 - Refrigeración de motores, compresores y transformadores.
 - Secado de piezas en las cadenas de pintura.
 - Disipación de calor en puestos de trabajo.

Aplicaciones específicas



Ventilación de una o varias estancias en viviendas, oficinas y comercios.

Es imprescindible comprobar que las características eléctricas (voltaje, intensidad, frecuencia, etc) del motor que aparecen en la placa del mismo son compatibles con las de la instalación.

| Código | Modelo | Tensión 50Hz (V) | Potencia (W) | Caudal de aire* (m³/h) | Velocidad (r.p.m.) | Nivel presión sonora a 1,5 m (dB(A)) | Interruptor ON/OFF (marcha/parado) | Color | Peso (kg) | Ø Hélice (mm) | Longitud cable (mm) | Dimensiones L x A x H (mm) | Unids. por caja | Grupo producto | Precio €/u. |
|------------|------------|------------------|--------------|------------------------|--------------------|--------------------------------------|------------------------------------|------------|-----------|---------------|---------------------|----------------------------|-----------------|----------------|-------------|
| 5311001100 | TURBO-3000 | 230 | 130/40 | 10.362 / 6.600 | 1400/900 | 57/52 | • | Metalizado | 8 | 350 | 2500 | 440x280x480 | 1 | E50 | 248,59 |

* Los caudales de aire indicados incluyen los caudales inducidos según norma IEC 60879.

Circuladores de aire de suelo / de columna

Serie TURBO-N



TURBO-455 CN PLUS

Circuladores de aire diseñados para mover grandes volúmenes de aire. Modelos de suelo de Ø 360, 400 y 450 mm, y de columna de Ø 450 mm.

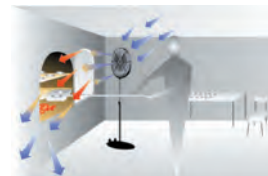
Características

- 3 velocidades.
- Asa de transporte.

Aplicaciones

- Domésticas, comerciales e industriales en ambientes limpios.
- Ventilación de una o varias estancias en viviendas, oficinas y comercios.
 - Ventilación de puestos de trabajo en zonas de montaje y almacenes.
 - Refrigeración de motores, compresores y transformadores.
 - Secado de piezas en cadenas de pintura.
 - Disipación de calor en puestos de trabajo.

Aplicaciones específicas



Disipación del calor en puestos de trabajo.

Es imprescindible comprobar que las características eléctricas (voltaje, intensidad, frecuencia, etc) del motor que aparecen en la placa del mismo son compatibles con las de la instalación.

| Código | Modelo | Tensión 50Hz (V) | Potencia nominal (W) | Caudal de aire* (m³/h) | Velocidad salida aire máxima (m/s) | Nivel presión sonora a 1,5 m (dB(A)) | Nº de velocidades | Color | Peso (kg) | Ø Hélice (mm) | Longitud cable (mm) | Dimensiones L x A x H (mm) | Unids. por caja | Grupo producto | Precio €/u. |
|------------|-------------------|------------------|----------------------|------------------------|------------------------------------|--------------------------------------|-------------------|---------|-----------|---------------|---------------------|----------------------------|-----------------|----------------|-------------|
| 5311027300 | TURBO-355 N | 230 | 55 | 3.120/1.860/1.020 | 6,6/5,7/4,8 | 51/48/44 | 3 | Cromado | 3,7 | 360 | 1.500 | 460x170x430 | 1 | E50 | 77,34 |
| 5311027400 | TURBO-405 N | 230 | 65 | 3.840/2.280/1.320 | 6,3/5,4/4,4 | 55/52/48 | 3 | Cromado | 4,2 | 400 | 1.500 | 510x180x485 | 1 | E50 | 94,23 |
| 5311027200 | TURBO-451 N PLUS | 230 | 120 | 6.000/5.580/4.630 | 7,2/5,6/4,6 | 64/61/58 | 3 | Cromado | 5,8 | 450 | 1.500 | 550x230x560 | 1 | E50 | 89,90 |
| 5311027600 | TURBO-455 N PLUS | 230 | 110 | 7.440/5.520/3.540 | 8,6/7,0/5,7 | 60/57/55 | 3 | Cromado | 5,5 | 450 | 1.500 | 560x190x550 | 1 | E50 | 99,94 |
| 5311027500 | TURBO-455 CN PLUS | 230 | 110 | 7.440/5.520/3.540 | 8,6/7,0/5,7 | 60/57/55 | 3 | Cromado | 9,6 | 450 | 1.500 | 560xØ505x1300-1550 | 1 | E50 | 115,20 |

* Los caudales de aire indicados incluyen los caudales inducidos según norma IEC 60879.

Ventiladores de techo

Serie HTD

NOVEDAD



Ventiladores de techo con luz LED de bajo consumo y altas prestaciones, silenciosos y fáciles de instalar. Modelos de Ø 130 cm. Temperatura de trabajo: de +10°C a +45°C.

Características

- Cuerpo de acero protegido con pintura epoxi.
- Motor EC Brushless.
- Palas de plástico.
- Mando de control a distancia por radiofrecuencia con soporte de pared, incluido.

- 6 velocidades de funcionamiento.
- Función brisa: El ventilador alterna las diferentes velocidades simulando una brisa natural.
- Temporizador de desconexión programable (30' - 2h).
- Cambio de sentido de la rotación controlable desde el mando a distancia.
- 3 tonos de luz LED seleccionable: frío / natural / cálido.
- Regulador intensidad de luz.
- Altura mínima intalación: palas a 2,3 m del suelo.



Control remoto con soporte pared

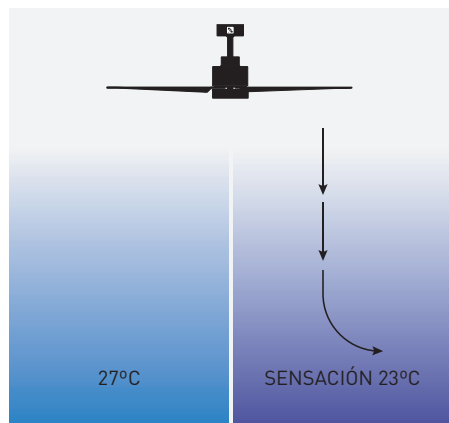
Es imprescindible comprobar que las características eléctricas (voltaje, intensidad, frecuencia, etc) del motor que aparecen en la placa del mismo son compatibles con las de la instalación.

| Código | Modelo | Tensión 50-60Hz (V) | Potencia nominal total (W) | Potencia lumínica LED (W) | Intensidad total (A) | Caudal aire máximo* (m³/h) | Velocidad salida aire máxima (m/s) | Nivel de potencia acústica máxima (dB(A)) | Nº velocidades | Velocidades (r.p.m.) | Color | Peso (kg) | Unids. por caja | Grupo producto | Precio €/u. |
|------------|------------------|---------------------|----------------------------|---------------------------|----------------------|----------------------------|------------------------------------|---|----------------|------------------------|--------|-----------|-----------------|----------------|---------------|
| 5316418300 | HTD-130 DC WHITE | 230 | 40 | 18 | 0,35 | 8.580 | 2,2 | 52,5 | 6 | 80/100/125/155/180/210 | Blanco | 5,2 | 1 | E50 | 243,38 |
| 5316418400 | HTD-130 DC BLACK | 230 | 40 | 18 | 0,35 | 8.580 | 2,2 | 52,5 | 6 | 80/100/125/155/180/210 | Negro | 5,2 | 1 | E50 | 243,38 |

* Los caudales de aire indicados incluyen los caudales inducidos según norma IEC 60879. Los datos técnicos están calculados a 50Hz con la proyección del aire hacia el suelo.

MODO VERANO (rotación CCW)

La corriente de aire proyectada hacia abajo, mejora la sensación de bienestar.

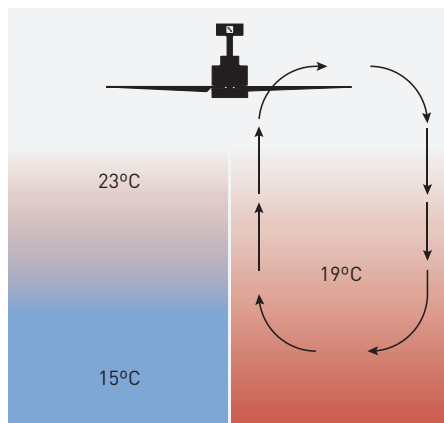


SIN VENTILADOR

CON VENTILADOR

MODO INVIERNO (rotación CW)

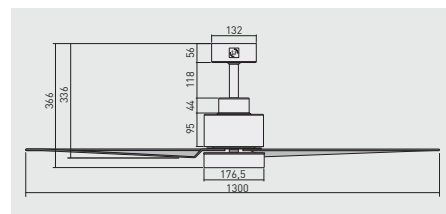
La corriente de aire proyectada hacia arriba, minimiza el diferencial de temperatura del techo al suelo.



SIN VENTILADOR

CON VENTILADOR

Dimensiones (mm)



Serie HTD

NOVEDAD



Ventiladores de techo con luz LED de bajo consumo y altas prestaciones, silenciosos y fáciles de instalar. Modelos de Ø 135 cm. Temperatura de trabajo: de +10°C a +45°C.

Características

- Cuerpo de acero protegido con pintura epoxi.
- Motor EC Brushless.
- Palas de plástico color roble claro.
- Mando de control a distancia por radiofrecuencia con soporte de pared, incluido.

- 6 velocidades de funcionamiento.
- Función brisa: El ventilador alterna las diferentes velocidades simulando una brisa natural.
- Temporizador de desconexión programable (30' - 2h).
- Cambio de sentido de la rotación controlable desde el mando a distancia.
- 3 tonos de luz LED seleccionable: frío / natural / cálido.
- Regulador intensidad de luz.
- Altura mínima intalación: palas a 2,3 m del suelo.



Control remoto con soporte pared

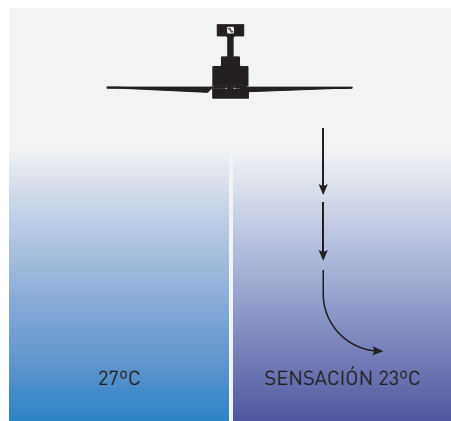
Es imprescindible comprobar que las características eléctricas (voltaje, intensidad, frecuencia, etc) del motor que aparecen en la placa del mismo son compatibles con las de la instalación.

| Código | Modelo | Tensión 50-60Hz (V) | Potencia nominal total (W) | Potencia luminica LED (W) | Inten-sidad total (A) | Caudal aire máximo* (m³/h) | Velocidad salida aire máxima (m/s) | Nivel de potencia acústica máxima (dB(A)) | Nº veloci-dades | Velocidades (r.p.m.) | Color | Peso (kg) | Unids. por caja | Grupo pro-ducto | Precio €/u. |
|------------|----------------|---------------------|----------------------------|---------------------------|-----------------------|----------------------------|------------------------------------|---|-----------------|-----------------------|---------------------|-----------|-----------------|-----------------|-------------|
| 5316418500 | HTD-135 DC OAK | 230 | 56 | 18 | 0,45 | 11.760 | 2,6 | 54 | 6 | 80/95/125/145/165/190 | Blanco/ Roble claro | 5,6 | 1 | E50 | 227,15 |

* Los caudales de aire indicados incluyen los caudales inducidos según norma IEC 60879. Los datos técnicos están calculados a 50Hz con la proyección del aire hacia el suelo.

MODO VERANO (rotación CCW)

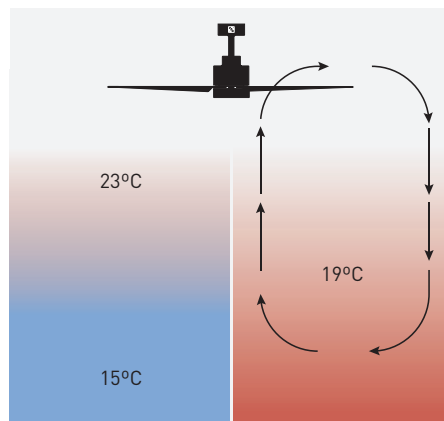
La corriente de aire proyectada hacia abajo, mejora la sensación de bienestar.



SIN VENTILADOR 27°C CON VENTILADOR SENSACIÓN 23°C

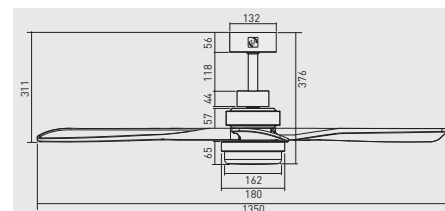
MODO INVIERNO (rotación CW)

La corriente de aire proyectada hacia arriba, minimiza el diferencial de temperatura del techo al suelo.



SIN VENTILADOR 23°C CON VENTILADOR 19°C

Dimensiones (mm)



Serie HTB



Ventiladores de techo de altas prestaciones, silenciosos, fáciles de instalar. Modelos de Ø 80, 100 y 140 cm. Temperatura de trabajo: de +10°C a +45°C.

Características

- 3 velocidades de funcionamiento.
- Selector de velocidades incluido, para instalar en superficie o empotrado.
- Tratamiento anticorrosión grado C3 medio y tornillería de acero inoxidable.
- Sentido de giro reversible, mediante conmutador ubicado en el propio ventilador.

- Motor con protector térmico.
- Preparados para ser comandados mediante un KIT RC HTB, control remoto con temporizador (no incluido con el ventilador).

Posibilidad de inversión de giro

La inversión del sentido de giro del ventilador permite enviar el aire hacia el techo.

Es imprescindible comprobar que las características eléctricas (voltaje, intensidad, frecuencia, etc) del motor que aparecen en la placa del mismo son compatibles con las de la instalación.

| Código | Modelo | Tensión 50-60Hz (V) | Potencia nominal (W) | Intensidad (A) | Caudal aire* (m³/h) | Velocidad salida aire máxima (m/s) | Nivel de potencia acústica máxima (dB(A)) | Nº velocidades | Velocidades (r.p.m.) | Color | Peso (kg) | Unids. por caja | Grupo producto | Precio €/u. |
|------------|------------|---------------------|----------------------|----------------|---------------------|------------------------------------|---|----------------|----------------------|---------------|-----------|-----------------|----------------|---------------|
| 5316999200 | HTB-75 RC | 230 | 45 | 0,2 | 4.500/3.640/2.540 | 2,2 | 46 | 3 | 257/208/145 | Gris RAL 9002 | 4,8 | 1 | E50 | 95,88 |
| 5316999300 | HTB-90 RC | 230 | 55 | 0,25 | 6.000/4.950/3.340 | 2,3 | 50 | 3 | 230/190/128 | Gris RAL 9002 | 5,2 | 1 | E50 | 102,21 |
| 5316999500 | HTB-140 RC | 230 | 50 | 0,25 | 7.920/5.925/4.440 | 1,8 | 52 | 3 | 224/168/126 | Gris RAL 9002 | 5,5 | 1 | E50 | 109,18 |
| 5316999400 | HTB-150 RC | 230 | 65 | 0,30 | 10.000/7.900/5.420 | 2,5 | 53 | 3 | 240/190/130 | Gris RAL 9002 | 8,2 | 1 | E50 | 132,81 |

* Los caudales de aire indicados incluyen los caudales inducidos según norma IEC 60879. Los datos técnicos están calculados a 50Hz con la proyección del aire hacia el suelo.

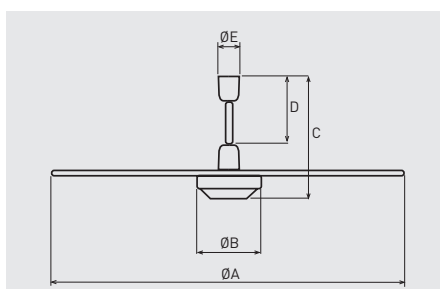


KIT RC HTB

Control remoto con temporizador de 1h, 3h y 6h, para los ventiladores HTB-RC (no incluido).

| Código | Modelo | Unids. por caja | Grupo producto | Precio €/u. |
|------------|------------|-----------------|----------------|--------------|
| 5401630500 | KIT RC HTB | 1 | E50 | 29,90 |

Dimensiones (mm)



| Modelo | ØA | ØB | C | D | ØE |
|------------|------|-----|-----|-----|-----|
| HTB-75 RC | 800 | 175 | 360 | 210 | 100 |
| HTB-90 RC | 960 | 175 | 360 | 210 | 100 |
| HTB-140 RC | 1350 | 175 | 360 | 210 | 100 |
| HTB-150 RC | 1370 | 190 | 380 | 210 | 100 |

Serie HTB-2500/3000



Ventiladores de techo de gran diámetro.
Modelos de Ø 250 y 300 cm.
Temperatura de trabajo: de +10°C a +45°C.

Características

- Cuerpo de acero protegido con pintura epoxi.
- Tratamiento anticorrosión grado C3 medio y tornillería de acero inoxidable.
- Hélices de aluminio de 8 palas.
- Motor DC Brushless.
- Mando de control a distancia por radiofrecuencia, con soporte de pared, incluidos.
- 6 velocidades de funcionamiento
- Temporizador de desconexión programable (1h, 2h, 4h, 8h).
- Cambio de sentido de la rotación controlable desde el mando a distancia.
- Cable de seguridad anticaída.
- IPX0.

Es imprescindible comprobar que las características eléctricas (voltaje, intensidad, frecuencia, etc) del motor que aparecen en la placa del mismo son compatibles con las de la instalación.

| Código | Modelo | Tensión 50-60Hz (V) | Potencia nominal (W) | Intensidad (A) | Caudal aire máximo* (m³/h) | Velocidad salida aire máxima (m/s) | Nivel de potencia acústica máxima (dB(A)) | Nº velocidades | Velocidad máxima (r.p.m.) | Color | Peso (kg) | Unids. por caja | Grupo producto | Precio €/u. |
|------------|----------|---------------------|----------------------|----------------|----------------------------|------------------------------------|---|----------------|---------------------------|--------|-----------|-----------------|----------------|---------------|
| 5316999700 | HTB-2500 | 230 | 120 | 0,83 | 58.610 | 1,9 | 57 | 6 | 80+/-5 | Silver | 17 | 1 | E50 | 646,03 |
| 5316999800 | HTB-3000 | 230 | 120 | 0,85 | 71.834 | 1,7 | 59 | 6 | 77+/-5 | Silver | 19 | 1 | E50 | 681,42 |

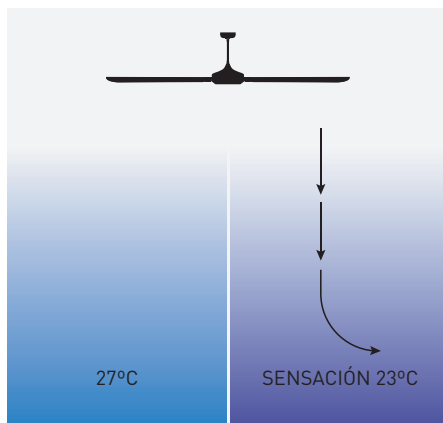
* Los caudales de aire indicados incluyen los caudales inducidos según norma IEC 60879. Los datos técnicos están calculados a 50Hz, con la proyección del aire hacia el suelo.



Mando de control
a distancia por radiofrecuencia, con soporte de pared, incluidos.

MODO VERANO (rotación CCW)

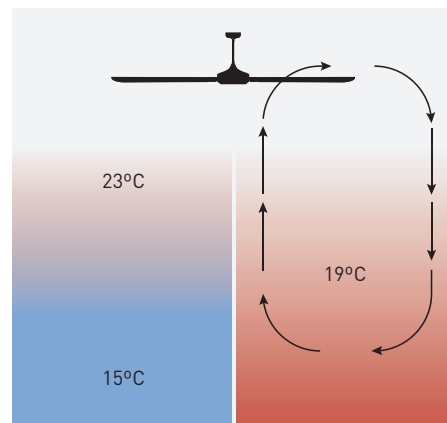
La corriente de aire proyectada hacia abajo, mejora la sensación de bienestar.



SIN VENTILADOR CON VENTILADOR

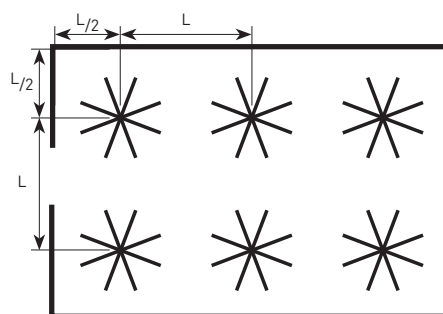
MODO INVIERNO (rotación CW)

La corriente de aire proyectada hacia arriba, minimiza el diferencial de temperatura del techo al suelo.



SIN VENTILADOR CON VENTILADOR

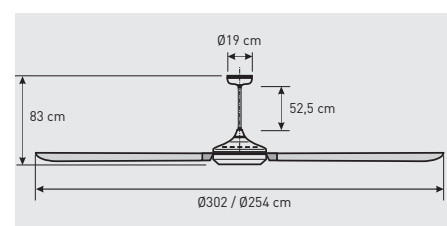
Distancia recomendada entre ventiladores

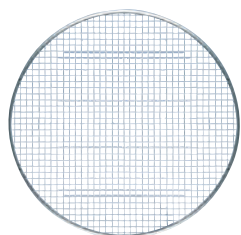


| | Altura del techo (m) | 4 | 6 | 8 | >10 |
|----------|----------------------|---|----|----|-----|
| HTB-2500 | Distancia L (m) | 7 | 9 | 11 | 12 |
| HTB-3000 | Distancia L (m) | 8 | 10 | 12 | 13 |

Altura mínima del techo a instalación: 4,5 m.

Dimensiones

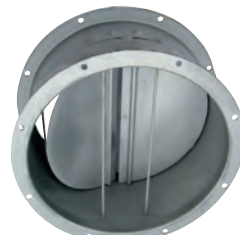




496 Defensas



498 Persianas



499 Compuertas,
Reguladores de
caudal



502 Pies,
Bridas,
Acoplamiento,
Reducciones,
Elementos de sujeción



506 Viseras
de protección,
Sombreretes



507 Soportes,
Amortiguadores



508 Silenciadores



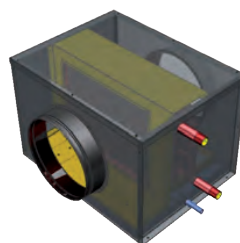
510 Accesorios de
montaje específicos
para gamas de Tejado



511 Rejas,
Plenums,
Difusores,
Tomas de aire



513 Accesorios
para cristal y
muro



514 Baterías
de agua



516 Reguladores



518 Convertidores de frecuencia



520 Interruptores, Conmutadores



521 Interruptores Desenfumage



522 Temporizadores



523 Presostatos



523 Servomotores



523 Transformadores



524 Accesorios eléctricos para Baterías Eléctricas



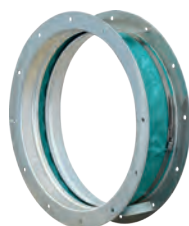
524 Accesorios eléctricos para Baterías de Agua



525 Elementos Inteligentes para Demanda Controlada de Ventilación



533 Sistemas de control para la ventilación de Aparcamientos



537 Accesorios FERRARI

Defensas



DEF-D

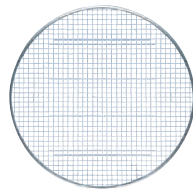
Defensas de protección para prevenir contactos con las hélices de los ventiladores. Para instalar en el lado de descarga.

Configuración constructiva 250 a 525.



Configuración constructiva 630 a 1000.

| Código | Modelo | Grupo producto | Precio €/u. |
|--------------------------------|------------|----------------|-------------|
| Defensas DEF-D (lado descarga) | | | |
| 5112630800 | DEF-250 D | E01 | 43,43 |
| 5112635700 | DEF-325 D | E01 | 48,33 |
| 5112640700 | DEF-375 D | E01 | 52,45 |
| 5112645600 | DEF-450 D | E01 | 62,62 |
| 5112650600 | DEF-525 D | E01 | 68,81 |
| 5111625900 | DEF-630 D | E01 | 261,47 |
| 5111630900 | DEF-800 D | E01 | 284,55 |
| 5111635800 | DEF-1000 D | E01 | 393,43 |



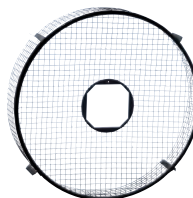
DEF-T

Defensas de protección para prevenir contactos con las hélices de los ventiladores.



Modelos DEF-T DESCARGA (lado motor) 710 y 800.

| Código | Modelo | Grupo producto | Precio €/u. |
|---|----------------------------------|----------------|-------------|
| Defensas DEF-T (lado aspiración/descarga) | | | |
| 5120630800 | DEF-250 T | E01 | 20,92 |
| 5120635700 | DEF-315 T | E01 | 38,17 |
| 5120640700 | DEF-355 T | E01 | 63,22 |
| 5120645600 | DEF-400 T | E01 | 65,55 |
| 5120650600 | DEF-450 T | E01 | 75,73 |
| 5120655500 | DEF-500 T | E01 | 76,31 |
| 5120657100 | DEF-560 T | E01 | 81,07 |
| 5120659700 | DEF-630 T | E01 | 94,49 |
| Defensas DEF-T ASPIRACIÓN (lado hélice) | | | |
| 5120652200 | DEF-710 T ASPIRACIÓN | E01 | 96,31 |
| 5138856900 | DEF-800 T ASPIRACIÓN | E01 | 103,14 |
| Defensas DEF-T DESCARGA (lado motor) | | | |
| 5138858500 | DEF-710 H-T DESCARGA | E01 | 485,52 |
| 5138857700 | DEF-710 L-T DESCARGA | E01 | 499,27 |
| 5138826200 | DEFENSA DE DESCARGA TGT/THGT-800 | E01 | 185,72 |



DEF-AN

Defensas de protección para prevenir contactos con las hélices de los ventiladores. Para instalar en el lado de aspiración.

Modelos DEF-AN

| Código | Modelo | Grupo producto | Precio €/u. |
|-------------------------------------|-------------|----------------|-------------|
| Defensas DEF-AN/A (lado aspiración) | | | |
| 5111612700 | DEF-800 AN | E01 | 308,12 |
| 5111614300 | DEF-900 AN | E01 | 398,10 |
| 5111968500 | DEF-901 AN | E01 | 398,10 |
| 5111618400 | DEF-1000 AN | E01 | 432,68 |
| 5111620000 | DEF-1001 A | E01 | 432,68 |

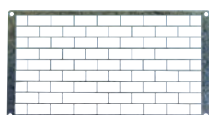
* La DEF-1001 A es sólo para los modelos HCFT/4-1000 H-X y HCBT/4-1000/H-X



DEF-A

Defensas de protección para prevenir contactos con las hélices de los ventiladores. Para instalar en el lado de aspiración. Se utiliza para los modelos HCFT/4-1000/H-X y HCBT/4-1000/H-X.

DEF-1001 A



DEF

Defensas de protección para ventiladores centrífugos in-line rectangulares.

| Código | Modelo | Grupo producto | Precio €/u. |
|------------------------|--------------|----------------|-------------|
| Defensas de protección | | | |
| 5132885400 | DEF-400x200 | E01 | 41,25 |
| 5132886200 | DEF-500x250 | E01 | 44,60 |
| 5132887000 | DEF-500x300 | E01 | 55,56 |
| 5132888800 | DEF-600x300 | E01 | 63,92 |
| 5132889600 | DEF-600x350 | E01 | 66,58 |
| 5132890400 | DEF-700x400 | E01 | 94,14 |
| 5132891200 | DEF-800x500 | E01 | 151,20 |
| 5132892000 | DEF-1000x500 | E01 | 172,60 |



EMB-T

Embocaduras-defensas de protección para evitar turbulencias y entrada de objetos en la aspiración y prevenir de cualquier contacto de personas con la hélice del ventilador. Para aplicar a ventiladores tubulares con flujo B (Sentido del aire Hélice-Motor) o con camisa larga y flujo A (Sentido del aire Motor-Hélice).

| Código | Modelo | Grupo producto | Precio €/u. |
|---------------------------|-----------|----------------|-------------|
| Embocaduras-Defensa EMB-T | | | |
| 5120870000 | EMB-315T | E01 | 234,09 |
| 5120870100 | EMB-355T | E01 | 239,75 |
| 5120870200 | EMB-400T | E01 | 251,99 |
| 5120870300 | EMB-450T | E01 | 264,33 |
| 5120870400 | EMB-500T | E01 | 284,23 |
| 5120870500 | EMB-560T | E01 | 298,91 |
| 5120870600 | EMB-630T | E01 | 334,46 |
| 5120870700 | EMB-710T | E01 | 369,27 |
| 5120870800 | EMB-800T | E01 | 434,02 |
| 5120870900 | EMB-900T | E01 | 530,37 |
| 5120871000 | EMB-1000T | E01 | 609,62 |
| 5120872600 | EMB-1120T | E01 | 722,83 |
| 5120871100 | EMB-1250T | E01 | 751,31 |
| 5120872800 | EMB-1400T | E01 | 827,87 |
| 5120873000 | EMB-1600T | E01 | 1.062,68 |

EMB-S

Embocaduras-defensas de protección para evitar turbulencias y entrada de objetos en la aspiración y prevenir de cualquier contacto de personas con la hélice del ventilador. Para aplicar a ventiladores de la Serie TGT/THGT de camisa corta, con flujo A (Sentido del aire Motor-Hélice).

| Código | Modelo | Grupo producto | Precio €/u. |
|---------------------------|-----------|----------------|-------------|
| Embocaduras-Defensa EMB-S | | | |
| 5120871700 | EMB-560S | E01 | 334,79 |
| 5120871800 | EMB-630S | E01 | 374,61 |
| 5120872100 | EMB-900S | E01 | 593,98 |
| 5120872200 | EMB-1000S | E01 | 682,76 |
| 5120872500 | EMB-1120S | E01 | 809,55 |
| 5120872300 | EMB-1250S | E01 | 841,49 |
| 5120872700 | EMB-1400S | E01 | 978,28 |
| 5120872900 | EMB-1600S | E01 | 1.166,87 |

Persianas de sobrepresión



Configuración modelos 100 a 500



Configuración modelos 560 a 1000

PER-W

Persianas de sobrepresión construidas en material termoplástico estabilizado contra los rayos UV. Color gris RAL7035.

| Código | Modelo | Grupo producto | Precio €/u. |
|---|------------|----------------|-------------|
| Persianas plásticas PER-W (lado descarga) | | | |
| 5406075100 | PER-100 W | E01 | 13,95 |
| 5406076900 | PER-125 W | E01 | 18,20 |
| 5406078500 | PER-160 W | E01 | 31,86 |
| 5406079300 | PER-200 W | E01 | 56,27 |
| 5406060300 | PER-250 W | E01 | 96,23 |
| 5406061100 | PER-355 W | E01 | 108,58 |
| 5406062900 | PER-400 W | E01 | 117,54 |
| 5406063700 | PER-450 W | E01 | 144,12 |
| 5406064500 | PER-500 W | E01 | 172,29 |
| 5406065200 | PER-560 W | E01 | 282,24 |
| 5406066000 | PER-630 W | E01 | 325,17 |
| 5406069400 | PER-710 W | E01 | 512,65 |
| 5406067800 | PER-800 W | E01 | 584,47 |
| 5406068600 | PER-1000 W | E01 | 909,92 |

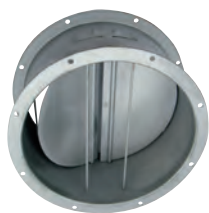


PER-CR

Persianas de sobrepresión con marco de chapa de acero y lamas de aluminio, ligeras y resistentes, con dispositivo que permite una perfecta y coordinada apertura de todas sus lamas. Incorporan malla interior que evita la entrada de cuerpos extraños.

| Código | Modelo | Grupo producto | Precio €/u. |
|--|-------------|----------------|-------------|
| Persianas metálicas PER-CR (lado descarga) | | | |
| 5112681200 | PER-250 CR | E01 | 172,17 |
| 5112681300 | PER-355 CR | E01 | 180,12 |
| 5112681400 | PER-400 CR | E01 | 204,81 |
| 5112681500 | PER-450 CR | E01 | 237,54 |
| 5112681600 | PER-500 CR | E01 | 251,17 |
| 5112681700 | PER-630 CR | E01 | 327,73 |
| 5112681800 | PER-710 CR | E01 | 370,72 |
| 5112681900 | PER-800 CR | E01 | 424,29 |
| 5112682000 | PER-1000 CR | E01 | 533,36 |

Compuertas, Reguladores de caudal

**CLAR**

Compuertas antirretorno para conductos circulares. Evitan la entrada de aire cuando los ventiladores no están en funcionamiento.

Posiciones de trabajo:

- Flujo horizontal
 - Flujo vertical hacia arriba, siempre que la velocidad del aire sea superior a 11 m/s.
 - Siempre en el lado de descarga.
- Para TGT/THGT flujo B, deberá ser camisa larga o contar con una extensión.

| Código | Modelo | Grupo producto | Precio €/u. |
|------------------------------|-----------|----------------|-------------|
| Compuertas antirretorno CLAR | | | |
| 5136902000 | CLAR-400 | E01 | 394,80 |
| 5136895100 | CLAR-450 | E01 | 402,53 |
| 5136895200 | CLAR-500 | E01 | 423,31 |
| 5136849200 | CLAR-560 | E01 | 449,81 |
| 5136849400 | CLAR-630 | E01 | 493,68 |
| 5136849500 | CLAR-710 | E01 | 567,32 |
| 5136849300 | CLAR-800 | E01 | 589,44 |
| 5136848900 | CLAR-900 | E01 | 764,02 |
| 5136849000 | CLAR-1000 | E01 | 967,52 |
| 5136852000 | CLAR-1120 | E01 | 1.199,14 |
| 5136849100 | CLAR-1250 | E01 | 1.242,53 |
| 5136853000 | CLAR-1400 | E01 | 1.390,35 |
| 5136854000 | CLAR-1600 | E01 | 1.541,05 |

**CAR**

Compuertas antirretorno metálicas. Impiden la entrada de olores, corrientes de aire y evitan fugas de calefacción cuando el extractor no funciona. Se instalan entre el extractor y el conducto.

| Código | Modelo | Grupo producto | Precio €/u. |
|-----------------------------|---------|----------------|-------------|
| Compuertas antirretorno CAR | | | |
| 5416441300 | CAR-80 | E01 | 19,31 |
| 5416442100 | CAR-100 | E01 | 24,39 |
| 5416449600 | CAR-110 | E01 | 25,52 |
| 5416443900 | CAR-125 | E01 | 25,99 |
| 5416444700 | CAR-150 | E01 | 29,24 |
| 5416445400 | CAR-160 | E01 | 31,50 |
| 5416446200 | CAR-200 | E01 | 48,39 |
| 5416447000 | CAR-250 | E01 | 56,50 |
| 5416448800 | CAR-315 | E01 | 83,10 |
| 5416603800 | CAR-355 | E01 | 89,72 |
| 5416604600 | CAR-400 | E01 | 108,47 |

**CM-130**

Compuerta antirretorno de plástico. Impide la entrada de olores, corrientes de aire y evita fugas de calefacción cuando el extractor no funciona. Se instalan entre el extractor y el conducto.

| Código | Modelo | Ø (mm) | Unids. por caja | Grupo producto | Precio €/u. |
|-------------------------------|--------|-------------------|-----------------|----------------|-------------|
| Compuerta antirretorno CM-130 | | | | | |
| 5416271400 | CM-130 | 113/122 - 118/127 | 4 | E01 | 22,19 |

**IJK**

Compuertas motorizadas para ventiladores centrífugos in-line rectangulares. Fabricadas en chapa de acero galvanizado. Con bridas rectangulares estándares. Diámetro eje: 10 mm. Como accesorio: Servomotor LM230A.

| Código | Modelo | Grupo producto | Precio €/u. |
|------------------------|---------|----------------|-------------|
| Compuertas motorizadas | | | |
| 5416743800 | IJK-200 | E01 | 284,34 |
| 5416743900 | IJK-225 | E01 | 329,34 |
| 5416744200 | IJK-315 | E01 | 431,52 |
| 5416744300 | IJK-355 | E01 | 485,34 |
| 5416744400 | IJK-400 | E01 | 558,54 |
| 5416744500 | IJK-450 | E01 | 675,29 |



RMME

Compuertas motorizadas bicaudal, equipadas con regulador de caudal con un rango de presión entre 50 y 250 Pa.
El caudal mínimo es sin tensión y el máximo, con tensión.
Se utilizan en los sistemas de ventilación multizona tipo mínimo-máximo.
Alimentación: 230V-50Hz con cable de 2x0,75 mm².
Consumo: 2,5W.
Tiempo de reacción: 8 segundos.
Temperatura máxima de utilización: +60°C.
Humedad Relativa máxima 90%.

| Código | Modelo | Caudal (m ³ /h) | Ø (mm) | Grupo producto | Precio €/u. |
|--|------------------|----------------------------|--------|----------------|---------------|
| RMME Compuertas motorizadas bicaudal autorregulables | | | | | |
| 5132929500 | RMME 20/75 D125 | 20/75 | 125 | E80 | 315,60 |
| 5132929600 | RMME 30/90 D125 | 30/90 | 125 | E80 | 315,60 |
| 5132929700 | RMME 45/105 D125 | 45/105 | 125 | E80 | 315,60 |
| 5132929800 | RMME 45/120 D125 | 45/120 | 125 | E80 | 315,60 |
| 5132929900 | RMME 45/135 D125 | 45/135 | 125 | E80 | 315,60 |

Bajo pedido, se pueden solicitar modelos con diferentes caudales en función del diámetro.

NOVEDAD



RMVT

Compuertas motorizadas bicaudal.
Compuertas motorizadas circulares de dos caudales autorregulados entre 60-250Pa.
El paso de un caudal al otro se hace mediante un termoactuador controlado por un detector de presencia tipo CPTA. Se utilizan en los sistemas de ventilación multizona tipo mínimo-máximo.
Alimentación: 12/24V-50Hz.
Consumo: 8W durante la apertura o cierre.
Entrada: Contacto exterior tipo detector de presencia.
Tiempo de respuesta: 60s apertura y 60s cierre.
Índice de protección: IP20.
Aislamiento: Clase II.
Temperatura de utilización: 0°C a +60°C max.
95% HR sin condensación.

| Código | Modelo | Caudal (m ³ /h) | Ø (mm) | Grupo producto | Precio €/u. |
|--------------------------------------|-----------------|----------------------------|--------|----------------|---------------|
| RMVT Compuertas motorizadas bicaudal | | | | | |
| 5416739400 | RMVT-125 12/100 | 12/100 | 125 | E80 | 227,67 |
| 5416739500 | RMVT-125 12/120 | 12/120 | 125 | E80 | 227,67 |
| 5416739600 | RMVT-125 30/90 | 30/90 | 125 | E80 | 227,67 |
| 5416739700 | RMVT-125 60/120 | 60/120 | 125 | E80 | 227,67 |
| 5416739800 | RMVT-125 60/135 | 60/135 | 125 | E80 | 227,67 |
| 5416739900 | RMVT-125 90/150 | 90/150 | 125 | E80 | 227,67 |
| 5416740000 | RMVT-160 15/150 | 15/150 | 160 | E80 | 269,65 |
| 5416740100 | RMVT-160 24/240 | 24/240 | 160 | E80 | 269,65 |
| 5416740200 | RMVT-160 30/300 | 30/300 | 160 | E80 | 269,65 |
| 5416066700 | RMVT-200 40/210 | 40/210 | 200 | E80 | 301,96 |
| 5416740400 | RMVT-200 40/350 | 40/350 | 200 | E80 | 301,96 |
| 5416740500 | RMVT-200 40/400 | 40/400 | 200 | E80 | 301,96 |
| 5416740600 | RMVT-200 50/500 | 50/500 | 200 | E80 | 301,96 |



REMV

Compuertas manuales motorizables.
Permiten el equilibrado de redes y el cierre estanco de ramales o tomas de aire. Cuerpo y compuerta de acero galvanizado, eje de acero cadmiado y palier de bronce.
Juntas de estanqueidad en ambos lados.
Mando manual o con soporte para servomotor.

| Código | Modelo | Grupo producto | Precio €/u. |
|---------------------------------------|----------|----------------|---------------|
| REMV Compuertas manuales motorizables | | | |
| 5416834200 | REMV 200 | E01 | 97,12 |
| 5416834300 | REMV 250 | E01 | 105,42 |
| 5416834400 | REMV 315 | E01 | 131,61 |
| 5416834500 | REMV 355 | E01 | 172,64 |
| 5416834600 | REMV 400 | E01 | 217,41 |
| 5416834700 | REMV 450 | E01 | 246,15 |
| 5416834800 | REMV 500 | E01 | 272,88 |

**REEV**

Compuertas manuales motorizables. Permiten el equilibrado de redes y el cierre estanco de ramales o tomas de aire. Cuerpo y compuerta de acero galvanizado, eje de acero cadmiado y palier de bronce. Disponen de juntas de estanqueidad en ambos lados y en el perímetro de la compuerta. Mando manual o con soporte para servomotor.

| Código | Modelo | Grupo producto | Precio €/u. |
|---------------------------------------|----------|----------------|---------------|
| REEV Compuertas manuales motorizables | | | |
| 5416762600 | REEV 250 | E01 | 128,10 |
| 5416786700 | REEV 315 | E01 | 158,87 |
| 5416762700 | REEV 355 | E01 | 205,96 |
| 5416762800 | REEV 400 | E01 | 257,45 |
| 5416786800 | REEV 450 | E01 | 290,51 |
| 5416820200 | REEV 500 | E01 | 294,31 |

**IRIS**

Reguladores de caudal tipo diafragma para conductos circulares. Permiten obtener una regulación precisa del caudal por medición de la presión. Operaciones manuales de regulación y control desde el exterior del conducto.

| Código | Modelo | Grupo producto | Precio €/u. |
|----------------------------|----------|----------------|-----------------|
| Reguladores de caudal IRIS | | | |
| 5416731600 | IRIS 80 | E01 | 107,45 |
| 5416731700 | IRIS 100 | E01 | 109,29 |
| 5416731800 | IRIS 125 | E01 | 117,56 |
| 5416731900 | IRIS 160 | E01 | 121,83 |
| 5416732000 | IRIS 200 | E01 | 155,88 |
| 5416732100 | IRIS 250 | E01 | 241,82 |
| 5416732200 | IRIS 315 | E01 | 274,30 |
| 5416732300 | IRIS 400 | E01 | 493,62 |
| 5416732400 | IRIS 500 | E01 | 731,11 |
| 5416732500 | IRIS 630 | E01 | 958,00 |
| 5416732600 | IRIS 800 | E01 | 1.791,22 |

Pies, Bridas, Acoplamientos, Reducciones, Elementos de sujeción



PIE

Juego de 2 pies soporte, para ventiladores helicoidales tubulares COMPACT y TTT.

| Código | Modelo | Grupo producto | Precio €/u. |
|--------------------------------|-------------|----------------|-------------|
| Pies soporte (juego de 2 pies) | | | |
| 5120690200 | PIE-250 | E01 | 43,86 |
| 5120695100 | PIE-315 | E01 | 45,51 |
| 5120700900 | PIE-355 | E01 | 49,44 |
| 5120705800 | PIE-400 | E01 | 63,23 |
| 5120710800 | PIE-450 | E01 | 68,60 |
| 5120715700 | PIE-500 | E01 | 72,81 |
| 5120717300 | PIE-560 | E01 | 76,67 |
| 5120719900 | PIE-630 | E01 | 86,30 |
| 5120712400 | PIE-700/710 | E01 | 138,48 |
| 5138805600 | PIE-800 | E01 | 198,65 |



IBR

Bridas para ventiladores centrífugos in-line rectangulares.

| Código | Modelo | Grupo producto | Precio €/u. |
|------------|---------|----------------|-------------|
| Bridas | | | |
| 5132820100 | IBR-200 | E01 | 35,05 |
| 5132821900 | IBR-225 | E01 | 37,69 |
| 5132822700 | IBR-250 | E01 | 39,44 |
| 5132823500 | IBR-285 | E01 | 41,35 |
| 5132824300 | IBR-315 | E01 | 41,80 |
| 5132825000 | IBR-355 | E01 | 45,61 |
| 5132826800 | IBR-400 | E01 | 48,96 |
| 5132827600 | IBR-450 | E01 | 52,50 |



ARO BRIDA COMPACT

Bridas para ventiladores helicoidales tubulares COMPACT y TTT.

| Código | Modelo | Grupo producto | Precio €/u. |
|------------------------------|-----------------------|----------------|-------------|
| Aros brida ARO BRIDA COMPACT | | | |
| 5138908800 | ARO BRIDA COMPACT-250 | E01 | 52,20 |
| 5138908900 | ARO BRIDA COMPACT-315 | E01 | 57,80 |
| 5138909000 | ARO BRIDA COMPACT-355 | E01 | 59,49 |
| 5138909100 | ARO BRIDA COMPACT-400 | E01 | 67,31 |
| 5138909200 | ARO BRIDA COMPACT-450 | E01 | 70,36 |
| 5138909300 | ARO BRIDA COMPACT-500 | E01 | 78,70 |
| 5138909400 | ARO BRIDA COMPACT-560 | E01 | 82,34 |
| 5138909500 | ARO BRIDA COMPACT-630 | E01 | 94,76 |
| 5138909600 | ARO BRIDA COMPACT-710 | E01 | 140,86 |
| 5138909700 | ARO BRIDA COMPACT-800 | E01 | 190,68 |



ACOP.BRIDA

Acoplamientos elásticos, para ventiladores helicoidales tubulares COMPACT y TTT. Incluyen lona elástica + 2 bridas (ver imagen)

| Código | Modelo | Grupo producto | Precio €/u. |
|---|----------------|----------------|-------------|
| Acoplamientos elásticos ACOP.BRIDA incluyen lona elástica + 2 bridas (ver imagen) | | | |
| 5138909800 | ACOP.BRIDA-250 | E01 | 136,18 |
| 5138909900 | ACOP.BRIDA-315 | E01 | 151,22 |
| 5138910000 | ACOP.BRIDA-355 | E01 | 156,24 |
| 5138910100 | ACOP.BRIDA-400 | E01 | 179,42 |
| 5138910200 | ACOP.BRIDA-450 | E01 | 188,67 |
| 5138910300 | ACOP.BRIDA-500 | E01 | 207,47 |
| 5138910400 | ACOP.BRIDA-560 | E01 | 220,67 |
| 5138910500 | ACOP.BRIDA-630 | E01 | 246,84 |
| 5138910600 | ACOP.BRIDA-710 | E01 | 455,69 |
| 5138910700 | ACOP.BRIDA-800 | E01 | 548,42 |



IAE

Acoplamiento elástico para ventiladores centrífugos in-line rectangulares.

| Código | Modelo | Grupo producto | Precio €/u. |
|-----------------------|---------|----------------|-------------|
| Acoplamiento elástico | | | |
| 5132931200 | IAE-180 | E01 | 93,56 |
| 5132810200 | IAE-200 | E01 | 104,26 |
| 5132811000 | IAE-225 | E01 | 115,31 |
| 5132814400 | IAE-315 | E01 | 126,40 |
| 5132815100 | IAE-355 | E01 | 152,21 |
| 5132816900 | IAE-400 | E01 | 165,44 |
| 5132817700 | IAE-450 | E01 | 178,47 |



ACOPEL F400 N

Acoplamiento elástico capacitado para trabajar a 400°C/2h.

| Código | Modelo | Grupo producto | Precio €/u. |
|---|------------------------|----------------|-------------|
| Acoplamiento elástico desenfumage ACOPEL F400 N | | | |
| 5138920100 | ACOPEL F400-120/160 N | E01 | 46,89 |
| 5138920200 | ACOPEL F400-140/160 N | E01 | 48,36 |
| 5138920300 | ACOPEL F400-160/160 N | E01 | 50,47 |
| 5138920400 | ACOPEL F400-180/160 N | E01 | 52,82 |
| 5138920500 | ACOPEL F400-200/160 N | E01 | 57,47 |
| 5138920600 | ACOPEL F400-225/160 N | E01 | 60,37 |
| 5138920700 | ACOPEL F400-250/160 N | E01 | 63,57 |
| 5138920800 | ACOPEL F400-280/160 N | E01 | 66,36 |
| 5138920900 | ACOPEL F400-315/160 N | E01 | 68,50 |
| 5138921000 | ACOPEL F400-355/160 N | E01 | 70,72 |
| 5138921100 | ACOPEL F400-400/160 N | E01 | 73,17 |
| 5138921200 | ACOPEL F400-450/160 N | E01 | 77,54 |
| 5138921300 | ACOPEL F400-500/160 N | E01 | 81,87 |
| 5138921400 | ACOPEL F400-560/160 N | E01 | 109,92 |
| 5138921500 | ACOPEL F400-630/160 N | E01 | 118,38 |
| 5138921600 | ACOPEL F400-710/180 N | E01 | 144,73 |
| 5138921700 | ACOPEL F400-800/180 N | E01 | 159,96 |
| 5138921800 | ACOPEL F400-900/180 N | E01 | 176,10 |
| 5138921900 | ACOPEL F400-1000/180 N | E01 | 190,03 |
| 5138924200 | ACOPEL F400-1120/200 N | E01 | 219,28 |
| 5138922000 | ACOPEL F400-1250/200 N | E01 | 237,23 |
| 5138922100 | ACOPEL F400-1400/200 N | E01 | 244,08 |
| 5138922200 | ACOPEL F400-1600/200 N | E01 | 259,23 |



ACOPEL EX N

Acoplamiento elástico para instalaciones con riesgo de explosión.

| Código | Modelo | Grupo producto | Precio €/u. |
|--|----------------------|----------------|-------------|
| Acoplamiento elástico antiexplosivos ACOPEL EX N | | | |
| 5138924100 | ACOPEL EX-160/160 N | E01 | 58,48 |
| 5138922300 | ACOPEL EX-200/160 N | E01 | 64,72 |
| 5138922400 | ACOPEL EX-225/160 N | E01 | 67,98 |
| 5138922500 | ACOPEL EX-250/160 N | E01 | 70,60 |
| 5138922600 | ACOPEL EX-280/160 N | E01 | 73,56 |
| 5138922700 | ACOPEL EX-315/160 N | E01 | 75,31 |
| 5138922800 | ACOPEL EX-355/160 N | E01 | 78,40 |
| 5138922900 | ACOPEL EX-400/160 N | E01 | 86,13 |
| 5138923000 | ACOPEL EX-450/160 N | E01 | 91,65 |
| 5138923100 | ACOPEL EX-500/160 N | E01 | 100,82 |
| 5138923200 | ACOPEL EX-560/160 N | E01 | 129,87 |
| 5138923300 | ACOPEL EX-630/160 N | E01 | 145,11 |
| 5138923400 | ACOPEL EX-710/180 N | E01 | 161,43 |
| 5138923500 | ACOPEL EX-800/180 N | E01 | 181,50 |
| 5138923600 | ACOPEL EX-900/180 N | E01 | 204,36 |
| 5138923700 | ACOPEL EX-1000/180 N | E01 | 217,90 |
| 5138929800 | ACOPEL EX-1120/200 N | E01 | 252,78 |
| 5138923800 | ACOPEL EX-1250/200 N | E01 | 272,15 |
| 5138923900 | ACOPEL EX-1400/200 N | E01 | 279,55 |
| 5138924000 | ACOPEL EX-1600/200 N | E01 | 291,24 |



CSU ISOLE

Bridas de sujeción del extractor al conducto o a otros accesorios. Apropriadas para conductos rígidos. Con doble roscado y aislamiento interior. Evitan la transmisión de vibraciones.

| Código | Modelo | Grupo producto | Precio €/u. |
|---------------------------------------|---------------|----------------|-------------|
| Bridas de sujeción aisladas CSU ISOLE | | | |
| 5209214900 | CSU 80 ISOLE | E01 | 8,46 |
| 5209214000 | CSU 100 ISOLE | E01 | 11,40 |
| 5209167600 | CSU 125 ISOLE | E01 | 11,53 |
| 5209167700 | CSU 160 ISOLE | E01 | 12,20 |
| 5209167800 | CSU 200 ISOLE | E01 | 14,92 |
| 5209167900 | CSU 250 ISOLE | E01 | 16,11 |
| 5209168000 | CSU 315 ISOLE | E01 | 19,03 |
| 5209168100 | CSU 355 ISOLE | E01 | 20,88 |
| 5209168200 | CSU 400 ISOLE | E01 | 27,06 |
| 5209168300 | CSU 450 ISOLE | E01 | 28,84 |
| 5209168400 | CSU 500 ISOLE | E01 | 31,04 |
| 5209215000 | CSU 560 ISOLE | E01 | 35,87 |
| 5209215100 | CSU 630 ISOLE | E01 | 37,62 |
| 5209215200 | CSU 710 ISOLE | E01 | 45,33 |



CX

Bridas regulables de sujeción del extractor al conducto o a otros accesorios. Apropriadas para conductos flexibles. Evitan la transmisión de vibraciones.

| Código | Modelo | Grupo producto | Precio €/u. |
|----------------------------------|----------------------------------|----------------|-------------|
| Bridas de sujeción regulables CX | | | |
| 5416410800 | CX-80/125 (juego de 2 unidades) | E01 | 10,90 |
| 5416411600 | CX-125/215 (juego de 2 unidades) | E01 | 13,46 |
| 5416412400 | CX-250 | E01 | 8,16 |
| 5416413200 | CX-315 | E01 | 10,01 |



COF

Bridas fijas de sujeción del extractor al conducto o a otros accesorios. Apropriadas para conductos flexibles. Evitan la transmisión de vibraciones.

| Código | Modelo | Grupo producto | Precio €/u. |
|------------------------------|-------------------------------|----------------|-------------|
| Bridas de sujeción fijas COF | | | |
| 5209165800 | COF- 80 (juego de 4 unidades) | E01 | 11,23 |
| 5209165900 | COF-100 (juego de 4 unidades) | E01 | 11,99 |
| 5209166000 | COF-125 (juego de 2 unidades) | E01 | 6,54 |
| 5209166100 | COF-150 (juego de 2 unidades) | E01 | 7,73 |



BP 6/17

Banda perforada en acero galvanizado para fijación de todo tipo de conductos. Longitud 17 m. Espesor 6 mm.

| Código | Modelo | Grupo producto | Precio €/u. |
|-------------------------|---------|----------------|-------------|
| Banda perforada BP 6/17 | | | |
| 5416033000 | BP 6/17 | E01 | 39,88 |



BA-50

Cinta de aluminio adhesiva.
Uso doméstico.
Resistencia: -40°C a +80°C.
Longitud: 10 m ó 50 m.

| Código | Modelo | Grupo producto | Precio €/u. |
|-------------|----------|----------------|--------------|
| Cinta BA-50 | | | |
| 5416583200 | BA-50/10 | E01 | 11,87 |
| 5209195100 | BA-50/50 | E01 | 39,51 |



PVC 50/33

Cinta de PVC adhesiva. Rollo de 33 m.

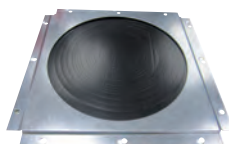
| Código | Modelo | Grupo producto | Precio €/u. |
|-----------------|-----------|----------------|--------------|
| Cinta PVC 50/33 | | | |
| 5209195200 | PVC 50/33 | E01 | 23,13 |



MA

Masilla acrílica para estanqueidad de las uniones.

| Código | Modelo | Grupo producto | Precio €/u. |
|---------------------|--------|----------------|---------------|
| Masilla acrílica MA | | | |
| 5209195500 | MA1 | E01 | 30,83 |
| 5209195600 | MA2 | E01 | 116,65 |



EDP

Juntas de estanqueidad entre conducto y muro.

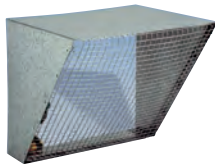
| Código | Modelo | Grupo producto | Precio €/u. |
|----------------------------|-------------|----------------|---------------|
| Juntas de estanqueidad EDP | | | |
| 5416776700 | EDP 80/200 | E01 | 91,08 |
| 5416781200 | EDP 250/500 | E01 | 165,49 |

Viseras de protección, sombreretes

**APC**

Viseras circulares antilluvia con reja antipájaros.

| Código | Modelo | Grupo producto | Precio €/u. |
|--|---------|----------------|-------------|
| Viseras circulares antilluvia con reja antipájaros APC | | | |
| 5137978200 | APC-80 | E01 | 42,96 |
| 5137979000 | APC-100 | E01 | 42,96 |
| 5137914700 | APC-125 | E01 | 42,96 |
| 5137915400 | APC-160 | E01 | 61,97 |
| 5137916200 | APC-200 | E01 | 62,68 |
| 5137910500 | APC-250 | E01 | 72,60 |
| 5137910600 | APC-315 | E01 | 91,94 |
| 5137911300 | APC-355 | E01 | 101,82 |
| 5137912100 | APC-400 | E01 | 109,81 |
| 5137995600 | APC-450 | E01 | 125,79 |
| 5137913900 | APC-500 | E01 | 169,81 |
| 5137996400 | APC-560 | E01 | 185,77 |
| 5137997200 | APC-630 | E01 | 197,60 |
| 5137998000 | APC-710 | E01 | 273,56 |
| 5137999800 | APC-800 | E01 | 331,78 |

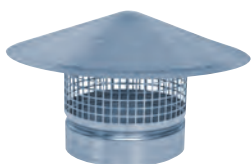
**CVA / CVD**

Viseras rectangulares antilluvia con reja antipájaros.

CVA - modelos de aspiración
CVD - modelos de descarga

| Código | Modelo | Grupo producto | Precio €/u. |
|---|--------|----------------|-------------|
| Viseras rectangulares de aspiración CVA | | | |
| 5137987300 | CVA-7 | E01 | 107,59 |
| 5137943600 | CVA-9 | E01 | 116,93 |
| 5137944400 | CVA-10 | E01 | 121,99 |
| 5137945100 | CVA-12 | E01 | 136,94 |
| 5137946900 | CVA-15 | E01 | 154,15 |
| 5137974100 | CVA-18 | E01 | 167,16 |
| 5137942800 | CVA-20 | E01 | 183,24 |
| 5137988100 | CVA-22 | E01 | 196,70 |
| 5137989900 | CVA-25 | E01 | 281,72 |
| 5137990700 | CVA-30 | E01 | 318,15 |

| Código | Modelo | Grupo producto | Precio €/u. |
|---------------------------------------|--------|----------------|-------------|
| Viseras rectangulares de descarga CVD | | | |
| 5137931100 | CVD-7 | E01 | 78,44 |
| 5137932900 | CVD-9 | E01 | 85,66 |
| 5137933700 | CVD-10 | E01 | 100,01 |
| 5137934500 | CVD-12 | E01 | 105,52 |
| 5137935200 | CVD-15 | E01 | 119,18 |
| 5137936000 | CVD-18 | E01 | 133,07 |
| 5137937800 | CVD-20 | E01 | 150,95 |
| 5137938600 | CVD-22 | E01 | 159,63 |
| 5137939400 | CVD-25 | E01 | 177,46 |
| 5137940200 | CVD-30 | E01 | 212,05 |

**CP (metálico)**

Sombreros de tejado metálicos CP para la toma o descarga de aire a través de tejados.

| Código | Modelo | Grupo producto | Precio €/u. |
|----------------------------------|--------|----------------|-------------|
| Sombreros de tejado metálicos CP | | | |
| 5209062200 | CP-100 | E01 | 34,97 |
| 5209062300 | CP-125 | E01 | 50,62 |
| 5209062400 | CP-160 | E01 | 58,00 |
| 5209062500 | CP-200 | E01 | 67,02 |

Soportes, Amortiguadores



KSE
Soportes antivibratorios de goma que permiten amortiguar las vibraciones y atenuar el nivel sonoro de la instalación.
(1 KSE = conjunto de 4 soportes)

| Código | Modelo | Grupo producto | Precio €/u. |
|--|--------|----------------|-------------|
| Soportes Elásticos Antivibratorios KSE (juego de 4 unidades) | | | |
| 5130861700 | KSE-45 | E01 | 62,46 |
| 5130863300 | KSE-70 | E01 | 62,46 |



ISA
Soportes antivibratorios para ventiladores centrifugos in-line rectangulares.
(1 ISA= conjunto de 4 soportes)

| Código | Modelo | Grupo producto | Precio €/u. |
|--|--------|----------------|-------------|
| Soporte Antivibratorio (juego de 4 unidades) | | | |
| 5416363900 | ISA | E01 | 13,21 |



P
Pies de fijación mediante varilla roscada Ø 8 mm.
Carga soporte de caucho 250 kg.
Dureza Shore 40/45.
(1 P= conjunto de 4 pies)

| Código | Modelo | Grupo producto | Precio €/u. |
|--|--------|----------------|-------------|
| Pies de fijación P (juego de 4 unidades) | | | |
| 5209175100 | P1 | E01 | 17,42 |
| 5209175200 | P2 | E01 | 17,42 |
| 5209175300 | P3 | E01 | 17,42 |
| 5209175400 | P4 | E01 | 45,50 |



PAVZ
Soportes antivibratorios de goma con base metálica para absorber vibraciones y atenuar el ruido de la instalación.
(1 PAVZ = conjunto de 4 soportes)

| Código | Modelo | Grupo producto | Precio €/u. |
|---|----------------|----------------|-------------|
| Soportes Antivibratorios PAVZ (juego de 4 unidades) | | | |
| 5130999940 | PAVZ-60 SH 45 | E01 | 41,62 |
| 5130997300 | PAVZ-60 SH 60 | E01 | 41,62 |
| 5130273000 | PAVZ-60 SH 75 | E01 | 41,62 |
| 5130861400 | PAVZ-80 SH 45 | E01 | 49,44 |
| 5130272900 | PAVZ-80 SH 60 | E01 | 49,44 |
| 5130866400 | PAVZ-80 SH 75 | E01 | 49,44 |
| 5130861500 | PAVZ-100 SH 45 | E01 | 64,73 |
| 5130861600 | PAVZ-100 SH 60 | E01 | 64,73 |
| 5130863400 | PAVZ-100 SH 75 | E01 | 64,73 |
| 5130971600 | PAVZ-150 SH 45 | E01 | 124,93 |
| 5130866500 | PAVZ-150 SH 60 | E01 | 124,93 |
| 5130863500 | PAVZ-150 SH 75 | E01 | 124,93 |



AM
Amortiguadores de muelle. Soportes antivibratorios con base metálica con dos agujeros para fijarse en el suelo.

| Código | Modelo | Grupo producto | Precio €/u. |
|-----------------------------|--------------------------------|----------------|-------------|
| Amortiguadores de muelle AM | | | |
| 5130863900 | AMORTIGUADOR DE MUELLE AM-25M | E01 | 13,11 |
| 5130864000 | AMORTIGUADOR DE MUELLE AM-50M | E01 | 13,41 |
| 5130864100 | AMORTIGUADOR DE MUELLE AM-75M | E01 | 13,72 |
| 5130865800 | AMORTIGUADOR DE MUELLE AM-100M | E01 | 13,83 |
| 5130963900 | AMORTIGUADOR DE MUELLE AM-125M | E01 | 15,07 |
| 5130964000 | AMORTIGUADOR DE MUELLE AM-250M | E01 | 28,03 |



TM
Amortiguadores de muelle. Soportes antivibratorios metálicos con agujero para fijar al techo.

| Código | Modelo | Grupo producto | Precio €/u. |
|-----------------------------|-------------------------------|----------------|-------------|
| Amortiguadores de muelle TM | | | |
| 5130863700 | AMORTIGUADOR DE MUELLE TM-25 | E01 | 23,23 |
| 5130864200 | AMORTIGUADOR DE MUELLE TM-50 | E01 | 23,49 |
| 5130864300 | AMORTIGUADOR DE MUELLE TM-75 | E01 | 23,61 |
| 5130963500 | AMORTIGUADOR DE MUELLE TM-100 | E01 | 23,61 |
| 5130863800 | AMORTIGUADOR DE MUELLE TM-125 | E01 | 23,67 |

Silenciadores



SIL

Atenuadores acústicos para reducir el ruido transmitido. Fabricados en acero galvanizado.

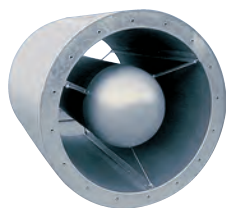
| Código | Modelo | Grupo producto | Precio €/u. |
|-------------------|---------|----------------|-------------|
| Silenciadores SIL | | | |
| 5211809800 | SIL-125 | E01 | 185,85 |
| 5211810600 | SIL-160 | E01 | 234,00 |
| 5211811400 | SIL-200 | E01 | 291,25 |
| 5211812200 | SIL-250 | E01 | 346,26 |
| 5211813000 | SIL-315 | E01 | 476,44 |
| 5211814800 | SIL-355 | E01 | 576,88 |
| 5211815500 | SIL-400 | E01 | 608,97 |
| 5211816300 | SIL-450 | E01 | 738,73 |
| 5211817100 | SIL-500 | E01 | 843,53 |
| 5211818900 | SIL-560 | E01 | 984,91 |
| 5211819700 | SIL-630 | E01 | 1.262,46 |
| 5211006800 | SIL-710 | E01 | 1.430,13 |



SIL-CZ

Atenuadores acústicos para reducir el ruido transmitido. Fabricados en chapa galvanizada Z200, de 0,8 mm de espesor y brida de montaje con tuercas insertadas. Material fonoabsorbante en lana de roca de 70 kg/m³ de densidad, con velo de protección contra el arrastre de partículas, y resistencia al fuego clase M0. Bajo pedido, modelos en acero inoxidable.

| Código | Modelo | Grupo producto | Precio €/u. |
|----------------------|----------------|----------------|-------------|
| Silenciadores SIL-CZ | | | |
| 5211809900 | SIL-CZ-400-10 | E01 | 439,29 |
| 5211810000 | SIL-CZ-400-15 | E01 | 521,25 |
| 5211810100 | SIL-CZ-400-20 | E01 | 594,44 |
| 5211810200 | SIL-CZ-450-10 | E01 | 525,48 |
| 5211810300 | SIL-CZ-450-15 | E01 | 629,03 |
| 5211810400 | SIL-CZ-450-20 | E01 | 727,70 |
| 5211810500 | SIL-CZ-500-10 | E01 | 611,34 |
| 5211810700 | SIL-CZ-500-15 | E01 | 740,70 |
| 5211810800 | SIL-CZ-500-20 | E01 | 861,19 |
| 5211810900 | SIL-CZ-560-10 | E01 | 697,93 |
| 5211811000 | SIL-CZ-560-15 | E01 | 848,48 |
| 5211811100 | SIL-CZ-560-20 | E01 | 994,81 |
| 5211811200 | SIL-CZ-630-10 | E01 | 822,03 |
| 5211811300 | SIL-CZ-630-15 | E01 | 1.009,29 |
| 5211811500 | SIL-CZ-630-20 | E01 | 1.194,11 |
| 5211811600 | SIL-CZ-710-10 | E01 | 951,64 |
| 5211811700 | SIL-CZ-710-15 | E01 | 1.175,41 |
| 5211811800 | SIL-CZ-710-20 | E01 | 1.395,22 |
| 5211811900 | SIL-CZ-800-10 | E01 | 1.119,88 |
| 5211812000 | SIL-CZ-800-15 | E01 | 1.395,22 |
| 5211812100 | SIL-CZ-800-20 | E01 | 1.662,01 |
| 5211812300 | SIL-CZ-900-10 | E01 | 1.292,02 |
| 5211812400 | SIL-CZ-900-15 | E01 | 1.610,77 |
| 5211812500 | SIL-CZ-900-20 | E01 | 1.929,18 |
| 5211812600 | SIL-CZ-1000-10 | E01 | 1.459,89 |
| 5211812700 | SIL-CZ-1000-15 | E01 | 1.830,57 |
| 5211812800 | SIL-CZ-1000-20 | E01 | 2.196,35 |
| 5211816800 | SIL-CZ-1120-10 | E01 | 1.618,19 |
| 5211940200 | SIL-CZ-1120-15 | E01 | 2.031,90 |
| 5211940300 | SIL-CZ-1120-20 | E01 | 2.441,79 |
| 5211812900 | SIL-CZ-1250-10 | E01 | 1.890,60 |
| 5211813100 | SIL-CZ-1250-15 | E01 | 2.376,94 |
| 5211813200 | SIL-CZ-1250-20 | E01 | 2.863,55 |
| 5211940400 | SIL-CZ-1400-10 | E01 | 2.125,81 |
| 5211940500 | SIL-CZ-1400-15 | E01 | 2.677,60 |
| 5211940600 | SIL-CZ-1400-20 | E01 | 3.235,65 |

**SIL-CZO**

Atenuadores acústicos SIL-CZ en ejecución con bulbo interno para aumentar la atenuación del silenciador.
Bajo pedido, modelos en acero inoxidable.

| Código | Modelo | Grupo producto | Precio €/u. |
|---------------------------------|-----------------|----------------|-------------|
| Silenciadores con bulbo SIL-CZO | | | |
| 5211813300 | SIL-CZO-400-10 | E01 | 687,52 |
| 5211813400 | SIL-CZO-400-15 | E01 | 780,63 |
| 5211813500 | SIL-CZO-400-20 | E01 | 873,43 |
| 5211813600 | SIL-CZO-450-10 | E01 | 814,26 |
| 5211813700 | SIL-CZO-450-15 | E01 | 936,41 |
| 5211813800 | SIL-CZO-450-20 | E01 | 1.058,60 |
| 5211813900 | SIL-CZO-500-10 | E01 | 944,70 |
| 5211814000 | SIL-CZO-500-15 | E01 | 1.100,88 |
| 5211814100 | SIL-CZO-500-20 | E01 | 1.248,62 |
| 5211814200 | SIL-CZO-560-10 | E01 | 1.071,45 |
| 5211814300 | SIL-CZO-560-15 | E01 | 1.325,57 |
| 5211814400 | SIL-CZO-560-20 | E01 | 1.434,24 |
| 5211814500 | SIL-CZO-630-10 | E01 | 1.260,45 |
| 5211814600 | SIL-CZO-630-15 | E01 | 1.489,94 |
| 5211814700 | SIL-CZO-630-20 | E01 | 1.722,59 |
| 5211814900 | SIL-CZO-710-10 | E01 | 1.455,35 |
| 5211815000 | SIL-CZO-710-15 | E01 | 1.729,52 |
| 5211815100 | SIL-CZO-710-20 | E01 | 1.999,17 |
| 5211815200 | SIL-CZO-800-10 | E01 | 1.712,15 |
| 5211815300 | SIL-CZO-800-15 | E01 | 2.045,91 |
| 5211815400 | SIL-CZO-800-20 | E01 | 2.374,83 |
| 5211815600 | SIL-CZO-900-10 | E01 | 2.001,63 |
| 5211815700 | SIL-CZO-900-15 | E01 | 2.357,84 |
| 5211815800 | SIL-CZO-900-20 | E01 | 2.750,40 |
| 5211815900 | SIL-CZO-1000-10 | E01 | 2.223,16 |
| 5211830400 | SIL-CZO-1000-15 | E01 | 2.674,21 |
| 5211816000 | SIL-CZO-1000-20 | E01 | 3.121,49 |
| 5211942000 | SIL-CZO-1120-10 | E01 | 2.520,78 |
| 5211941100 | SIL-CZO-1120-15 | E01 | 3.026,53 |
| 5211941200 | SIL-CZO-1120-20 | E01 | 3.534,47 |
| 5211816100 | SIL-CZO-1250-10 | E01 | 2.859,80 |
| 5211816200 | SIL-CZO-1250-15 | E01 | 3.458,98 |
| 5211816400 | SIL-CZO-1250-20 | E01 | 4.057,93 |
| 5211941300 | SIL-CZO-1400-10 | E01 | 3.231,43 |
| 5211941400 | SIL-CZO-1400-15 | E01 | 3.919,51 |
| 5211941500 | SIL-CZO-1400-20 | E01 | 4.599,02 |

**IAA**

Atenuadores acústicos de tipo disipador con baffles paralelos. Longitud de todos los modelos: 1 metro.

| Código | Modelo | Grupo producto | Precio €/u. |
|-----------------------|---------|----------------|-------------|
| Atenuadores Acústicos | | | |
| 5132934400 | IAA-180 | E01 | 319,21 |
| 5132800300 | IAA-200 | E01 | 459,44 |
| 5132801100 | IAA-225 | E01 | 496,27 |
| 5132802900 | IAA-250 | E01 | 515,50 |
| 5132803700 | IAA-285 | E01 | 638,56 |
| 5132804500 | IAA-315 | E01 | 663,28 |
| 5132805200 | IAA-355 | E01 | 738,11 |
| 5132806000 | IAA-400 | E01 | 938,97 |
| 5132807800 | IAA-450 | E01 | 1.195,06 |

Accesorios de Montaje Especificos para las gamas de tejados MAX-TEMP, CTVT HP, CRHB/T-N CRVB/T-N, CRHB-N CRVB-N ECOWATT, CRHB-N CRVB-N ECOWATT PLUS, HCTB/T y HGHT-V HGTT-V




| Código | Modelo | Grupo producto | Precio €/u. |
|---------------|----------|----------------|-------------|
| Marco Soporte | | | |
| 5136800900 | JMS-300 | E01 | 143,47 |
| 5136801700 | JMS-435 | E01 | 155,76 |
| 5136802500 | JMS-560 | E01 | 173,45 |
| 5136803300 | JMS-630 | E01 | 206,46 |
| 5136804100 | JMS-710 | E01 | 213,87 |
| 5136805800 | JMS-905 | E01 | 235,53 |
| 5136806600 | JMS-1100 | E01 | 277,94 |
| 5136807400 | JMS-1250 | E01 | 384,71 |




| Código | Modelo | Grupo producto | Precio €/u. |
|--------------|----------|----------------|-------------|
| Base Soporte | | | |
| 5136810800 | JBS-300 | E01 | 179,98 |
| 5136811600 | JBS-435 | E01 | 186,11 |
| 5136812400 | JBS-560 | E01 | 238,30 |
| 5136813200 | JBS-630 | E01 | 266,61 |
| 5136814000 | JBS-710 | E01 | 279,66 |
| 5136815700 | JBS-905 | E01 | 346,83 |
| 5136816500 | JBS-1100 | E01 | 404,16 |
| 5136817300 | JBS-1250 | E01 | 451,74 |

| Código | Modelo | Grupo producto | Precio €/u. |
|------------|------------|----------------|-------------|
| 5136820500 | JBS-V-800 | E01 | 565,27 |
| 5136820600 | JBS-V-900 | E01 | 883,46 |
| 5136820700 | JBS-V-1000 | E01 | 1.188,11 |
| 5136820800 | JBS-V-1250 | E01 | 1.386,40 |

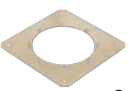


| Código | Modelo | Grupo producto | Precio €/u. |
|--|----------------|----------------|-------------|
| Base soporte para cubiertas inclinadas | | | |
| 5136987500 | JBS-HATCH 630 | E01 | 924,72 |
| 5136987400 | JBS-HATCH 800 | E01 | 976,93 |
| 5136987300 | JBS-HATCH 1000 | E01 | 1.227,74 |
| 5136987200 | JBS-HATCH 1250 | E01 | 1.394,87 |


Base soporte para cubiertas inclinadas: Para determinar el producto es imprescindible indicar el ángulo de inclinación de la cubierta y la distancia entre perfiles de sujeción de la misma (correas).



| Código | Modelo | Grupo producto | Precio €/u. |
|--------------------|----------|----------------|-------------|
| Atenuador Acústico | | | |
| 5136861100 | JAA-300 | E01 | 527,00 |
| 5136862900 | JAA-435 | E01 | 606,00 |
| 5136863700 | JAA-560 | E01 | 789,22 |
| 5136864500 | JAA-630 | E01 | 851,45 |
| 5136865200 | JAA-710 | E01 | 1.131,67 |
| 5136866000 | JAA-905 | E01 | 1.455,77 |
| 5136867800 | JAA-1100 | E01 | 1.833,41 |
| 5136867900 | JAA-1250 | E01 | 2.180,18 |




| Código | Modelo | Grupo producto | Precio €/u. |
|------------------|--------------|----------------|-------------|
| Placa Adaptación | | | |
| 5136821500 | JPA-300 | E01 | 56,35 |
| 5136822300 | JPA-435 | E01 | 70,34 |
| 5136823100 | JPA-560 | E01 | 117,27 |
| 5136824900 | JPA-630 | E01 | 138,95 |
| 5136825600 | JPA-710 | E01 | 189,16 |
| 5136826400 | JPA-905 | E01 | 192,60 |
| 5136827200 | JPA-1100 | E01 | 283,41 |
| 5136827300 | JPA-1100/800 | E01 | 283,41 |
| 5136828000 | JPA-1250 | E01 | 397,04 |




| Código | Modelo | Grupo producto | Precio €/u. |
|------------------------|------------|----------------|-------------|
| Compuerta Antirretorno | | | |
| 5136849600 | JCA-300 | E01 | 125,74 |
| 5136850400 | JCA-435 | E01 | 184,60 |
| 5136883500 | JCA-560 N | E01 | 320,59 |
| 5136884300 | JCA-630 N | E01 | 349,43 |
| 5136885000 | JCA-710 N | E01 | 377,45 |
| 5136886800 | JCA-905 N | E01 | 455,10 |
| 5136887600 | JCA-1100 N | E01 | 691,65 |
| 5136888400 | JCA-1250 N | E01 | 1.020,93 |



| Código | Modelo | Grupo producto | Precio €/u. |
|------------|------------|----------------|-------------|
| Brida | | | |
| 5138907200 | JBR-300 N | E01 | 32,26 |
| 5138907300 | JBR-435 N | E01 | 68,64 |
| 5138907400 | JBR-560 N | E01 | 76,14 |
| 5138907500 | JBR-630 N | E01 | 79,35 |
| 5138907600 | JBR-710 N | E01 | 92,34 |
| 5138907700 | JBR-905 N | E01 | 96,67 |
| 5138907800 | JBR-1100 N | E01 | 249,56 |
| 5138907900 | JBR-1250 N | E01 | 355,22 |



| Código | Modelo | Grupo producto | Precio €/u. |
|-----------------------|------------|----------------|-------------|
| Acoplamiento Elástico | | | |
| 5138908000 | JAЕ-300 N | E01 | 193,21 |
| 5138908100 | JAЕ-435 N | E01 | 239,16 |
| 5138908200 | JAЕ-560 N | E01 | 246,58 |
| 5138908300 | JAЕ-630 N | E01 | 266,91 |
| 5138908400 | JAЕ-710 N | E01 | 323,63 |
| 5138908500 | JAЕ-905 N | E01 | 388,71 |
| 5138908600 | JAЕ-1100 N | E01 | 517,22 |
| 5138908700 | JAЕ-1250 N | E01 | 944,86 |



| Código | Modelo | Grupo producto | Precio €/u. |
|---------------------------------|---------|----------------|-------------|
| Adaptación Conductos Circulares | | | |
| 5136857900 | JCC-300 | E01 | 250,32 |
| 5136858700 | JCC-435 | E01 | 283,21 |
| 5136859500 | JCC-560 | E01 | 307,83 |
| 5136860300 | JCC-630 | E01 | 348,57 |

Rejas, Plenums, Difusores, Tomas de aire

**GR-100**

Reja de extracción de plástico para conducto de Ø100 mm, de láminas inclinables. Evita la entrada de agua y cuerpos extraños en la instalación.

| Código | Modelo | Para conductos de Ø (mm) | Grupo producto | Precio €/u. |
|---------------------------|--------|--------------------------|----------------|-------------|
| Reja de extracción GR-100 | | | | |
| 5416539400 | GR-100 | 100 | E01 | 7,61 |

**GRA**

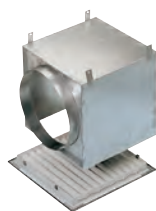
Rejas de extracción de lamas fijas de aluminio.

| Código | Modelo | Dimensiones exteriores \square (mm) | Dimensiones parte perforada \square (mm) | Grupo producto | Precio €/u. |
|-------------------------|---------|---------------------------------------|--|----------------|-------------|
| Rejas de extracción GRA | | | | | |
| 5416435500 | GRA-75 | 150 x 150 | 100 x 100 | E01 | 6,31 |
| 5416436300 | GRA-100 | 165 x 165 | 125 x 125 | E01 | 8,32 |
| 5416437100 | GRA-150 | 200 x 200 | 150 x 150 | E01 | 10,59 |
| 5416438900 | GRA-200 | 210 x 210 | 165 x 165 | E01 | 12,31 |
| 5416439700 | GRA-300 | 250 x 250 | 200 x 200 | E01 | 16,90 |

**GRI**

Rejas de extracción de aluminio extrusionado, pintadas en color blanco. Evitan la entrada de agua y cuerpos extraños en la instalación.

| Código | Modelo | Dimensiones nominales disponibles \square (mm) | Grupo producto | Precio €/u. |
|-------------------------|---------|--|----------------|-------------|
| Rejas de extracción GRI | | | | |
| 5416480100 | GRI-125 | 125 x 125 | E01 | 42,54 |
| 5416481900 | GRI-200 | 200 x 200 | E01 | 74,22 |
| 5416482700 | GRI-250 | 250 x 250 | E01 | 92,20 |
| 5416483500 | GRI-300 | 300 x 300 | E01 | 111,51 |
| 5416484300 | GRI-450 | 450 x 450 | E01 | 183,32 |

**RP**

Plenums de chapa de acero galvanizado, que junto a una reja GRI permiten la extracción de aire a través de un falso techo.

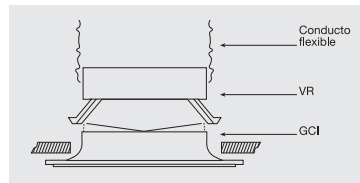
| Código | Modelo | Para conductos de Ø (mm) | Grupo producto | Precio €/u. |
|------------|---------|--------------------------|----------------|-------------|
| Plenums RP | | | | |
| 5416485000 | RP-100 | 100 | E01 | 53,87 |
| 5416368800 | RP-200A | 125 | E01 | 59,86 |
| 5416369600 | RP-200B | 160 | E01 | 59,86 |
| 5416370400 | RP-250A | 160 | E01 | 72,27 |
| 5416371200 | RP-250B | 200 | E01 | 72,27 |
| 5416372000 | RP-300A | 200 | E01 | 82,49 |
| 5416373800 | RP-300B | 250 | E01 | 82,49 |
| 5416374600 | RP-450 | 315 | E01 | 111,04 |

GCI

Difusores circulares que se instalan junto a un acoplamiento VR.



| Código | Modelo | Para conductos de Ø (mm) | Caudal mín. | Caudal máx. | Grupo producto | Precio €/u. |
|--------------------------|---------|--------------------------|-------------|-------------|----------------|---------------|
| Difusores circulares GCI | | | | | | |
| 5416555000 | GCI-160 | 160 | 70 | 275 | E01 | 73,57 |
| 5416556800 | GCI-200 | 200 | 120 | 500 | E01 | 87,47 |
| 5416557600 | GCI-250 | 250 | 200 | 800 | E01 | 110,08 |
| 5416558400 | GCI-315 | 315 | 275 | 1100 | E01 | 151,47 |
| 5416559200 | GCI-355 | 355 | 350 | 1200 | E01 | 194,62 |
| 5416560000 | GCI-400 | 400 | 400 | 1500 | E01 | 223,21 |



VR

Acoplamientos circulares con compuerta de ajuste para montar un difusor GCI.



| Código | Modelo | Para conductos de Ø (mm) | Grupo producto | Precio €/u. |
|-----------------------------|--------|--------------------------|----------------|--------------|
| Acoplamientos circulares VR | | | | |
| 5416561800 | VR-160 | 160 | E01 | 11,36 |
| 5416562600 | VR-200 | 200 | E01 | 12,20 |
| 5416563400 | VR-250 | 250 | E01 | 16,56 |
| 5416564200 | VR-315 | 315 | E01 | 18,35 |
| 5416565900 | VR-355 | 355 | E01 | 24,83 |
| 5416566700 | VR-400 | 400 | E01 | 26,13 |

TAT

Toma de aire de tejado, utilizado en instalaciones de VMC de doble flujo.



| Código | Modelo | Grupo producto | Precio €/u. |
|----------------------------|--------|----------------|---------------|
| Toma de aire de tejado TAT | | | |
| 5416458700 | TAT | E01 | 107,18 |

TAP

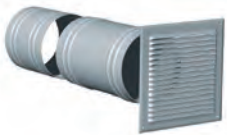
Toma de aire mural utilizada en instalaciones de VMC de doble flujo.



| Código | Modelo | Grupo producto | Precio €/u. |
|------------------------|--------|----------------|---------------|
| Toma de aire mural TAP | | | |
| 5416459500 | TAP | E01 | 101,72 |

PAF

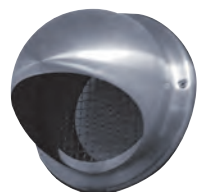
Reja de descarga en fachada.



| Código | Modelo | Grupo producto | Precio €/u. |
|----------------------|---------|----------------|---------------|
| Reja de descarga PAF | | | |
| 5209196500 | PAF 125 | E01 | 45,50 |
| 5209196600 | PAF 150 | E01 | 51,82 |
| 5209196700 | PAF 160 | E01 | 52,14 |
| 5209196800 | PAF 200 | E01 | 85,67 |
| 5209196900 | PAF 250 | E01 | 102,96 |
| 5209197000 | PAF 315 | E01 | 124,22 |
| 5209197100 | PAF 355 | E01 | 142,12 |
| 5209197200 | PAF 400 | E01 | 159,40 |

PAQS

Tomas de aire de fachada, estéticas, con reja antiinsectos.



| Código | Modelo | Grupo producto | Precio €/u. |
|-------------------------------|---------------|----------------|---------------|
| Tomas de aire de fachada PAQS | | | |
| 5137143600 | PAQS 100 INOX | E01 | 45,97 |
| 5137143700 | PAQS 125 INOX | E01 | 64,34 |
| 5137143800 | PAQS 150 INOX | E01 | 79,68 |
| 5137143900 | PAQS 160 INOX | E01 | 82,64 |
| 5137144000 | PAQS 200 INOX | E01 | 139,30 |

Accesorios para cristal y muro

**WINDOWS KIT**

Elementos de conexión para instalar extractores en cristal.

| Código | Modelo | Unidades por caja | Grupo producto | Precio €/u. |
|--|----------------------------------|-------------------|----------------|--------------|
| Elementos de conexión para instalar extractores en cristal WINDOWS KIT | | | | |
| 5210000100 | WINDOWS KIT-100 SILENT/DECOR/EDM | 6 | E21 | 27,38 |
| 5210000200 | WINDOWS KIT-200 SILENT/DECOR/EDM | 6 | E21 | 40,16 |

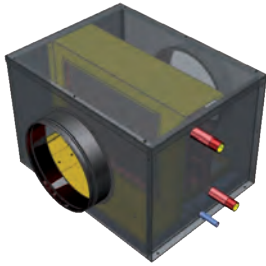
**TUBO TELESCOPICO Y PERSIANA FIJA**

Tubo telescópico ajustable a muros de entre 20 y 42 cm y reja exterior que evita la entrada de agua y cuerpos extraños.

Permite la descarga del extractor al exterior a través de muro. Para utilizar con los extractores de baño de las Series EDM-80N, EDM-100, DECOR-100 y SILENT.

| Código | Modelo | Unidades por caja | Grupo producto | Precio €/u. |
|---|----------------------------------|-------------------|----------------|--------------|
| Elemento para extracción a través de muro | | | | |
| 5211459200 | TUBO TELESCOPICO Y PERSIANA FIJA | 3 | E20 | 26,15 |

Baterías de agua



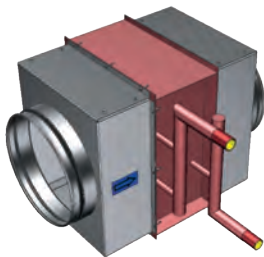
BA-AF

Baterías de agua fría.
Construcción en chapa galvanizada con aislamiento interior de 3 mm para evitar la condensación.
Con bandeja de condensados construida en acero inoxidable. Conexiones circulares para entubar a la salida del circuito de impulsión del recuperador.
Las conexiones pueden estar en el lado izquierdo (modelos L) o derecho (modelos R) según el sentido del aire.

| Código | Modelo | q _{max.} (m ³ /h) | Pérdida carga (Pa) | Velocidad de paso (m/s) | Entrada aire (°C/%HR) | Potencia (kW) | Salida aire (°C/%HR) | Caudal agua (l/h) | Pérdida carga agua (kPa) | Peso (kg) | Grupo producto | Precio €/u. |
|------------|----------------|--|--------------------------|-------------------------------|-----------------------------|------------------|----------------------------|-------------------------|--------------------------------|--------------|-------------------|----------------|
| 5407026900 | BA-AF 200 L | 450 | 90 | 2,46 | 27/50 | 2,3 | 16/83 | 402 | 23,3 | 13 | E01 | 656,04 |
| 5407027000 | BA-AF 200 R | 450 | 90 | 2,46 | 27/50 | 2,3 | 16/83 | 402 | 23,3 | 13 | E01 | 656,04 |
| 5407027100 | BA-AF 250 L | 900 | 100 | 2,60 | 27/50 | 4,5 | 16/82 | 765 | 14,12 | 17 | E01 | 791,11 |
| 5407027200 | BA-AF 250 R | 900 | 100 | 2,60 | 27/50 | 4,5 | 16/82 | 765 | 14,12 | 17 | E01 | 791,11 |
| 5407027300 | BA-AF 315 L | 1.200 | 100 | 2,61 | 27/50 | 5,6 | 17/80 | 960 | 9,51 | 22 | E01 | 936,15 |
| 5407027400 | BA-AF 315 R | 1.200 | 100 | 2,61 | 27/50 | 5,6 | 17/80 | 960 | 9,51 | 22 | E01 | 936,15 |
| 5407027500 | BA-AF 355/18 L | 1.900 | 100 | 2,61 | 27/50 | 9,5 | 16/82 | 1.630 | 14,49 | 30 | E01 | 1.158,95 |
| 5407027600 | BA-AF 355/18 R | 1.900 | 100 | 2,61 | 27/50 | 9,5 | 16/82 | 1.630 | 14,49 | 30 | E01 | 1.158,95 |
| 5407027700 | BA-AF 355/23 L | 2.400 | 100 | 2,69 | 27/50 | 12,2 | 16/82 | 2.085 | 18,8 | 38 | E01 | 1.284,38 |
| 5407027800 | BA-AF 355/23 R | 2.400 | 100 | 2,69 | 27/50 | 12,2 | 16/82 | 2.085 | 18,8 | 38 | E01 | 1.284,38 |
| 5407027900 | BA-AF 400 L | 3.000 | 100 | 2,66 | 27/50 | 15 | 16/82 | 2.570 | 14,27 | 45 | E01 | 1.509,41 |
| 5407028000 | BA-AF 400 R | 3.000 | 100 | 2,66 | 27/50 | 15 | 16/82 | 2.570 | 14,27 | 45 | E01 | 1.509,37 |
| 5407028100 | BA-AF 450 L | 4.400 | 100 | 2,68 | 27/50 | 23,2 | 16/83 | 3.980 | 27,88 | 74 | E01 | 1.960,21 |
| 5407028200 | BA-AF 450 R | 4.400 | 100 | 2,68 | 27/50 | 23,2 | 16/83 | 3.980 | 27,88 | 74 | E01 | 1.960,21 |
| 5407028300 | BA-AF 500 L | 5.500 | 100 | 2,68 | 27/50 | 29 | 16/83 | 4.930 | 24,46 | 86 | E01 | 2.369,44 |
| 5407028400 | BA-AF 500 R | 5.500 | 100 | 2,68 | 27/50 | 29 | 16/83 | 4.930 | 24,46 | 86 | E01 | 2.369,44 |
| 5407028700 | BA-AF 630 L | 8.000 | 100 | 2,68 | 27/50 | 40 | 16/82 | 6.925 | 15,29 | 106 | E01 | 3.154,57 |
| 5407028800 | BA-AF 630 R | 8.000 | 100 | 2,68 | 27/50 | 40 | 16/82 | 6.925 | 15,29 | 106 | E01 | 3.154,57 |

Valores con las siguientes condiciones: T entrada agua: 7°C, T salida agua: 12°C.

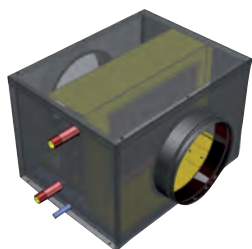
BA-AC-N



Baterías de agua caliente.
Construcción en chapa galvanizada con conexiones circulares para entubar a la salida del circuito de impulsión del recuperador.

| Código | Modelo | q _{max.} (m ³ /h) | Pérdida de carga q _{max.} (Pa) | Velocidad de paso (m/s) | Temperatura agua 80/60°C | | | | Temperatura agua 50/45°C | | | | Peso (kg) | Grupo pro- ducto | Precio €/u. |
|------------|----------------|--|--|-------------------------------|--------------------------|-------------|-------------------------|--------------------------------------|--------------------------|-------------|-------------------------|--------------------------------------|--------------|------------------------|----------------|
| | | | | | Potencia (kW)* | ΔT (°C)* | Caudal agua (l/h) | Pérdida de carga agua (kPa) | Potencia (kW)* | ΔT (°C)* | Caudal agua (l/h) | Pérdida de carga agua (kPa) | | | |
| 5407028900 | BA-AC-N 200 | 450 | 35 | 2,46 | 3,3 | 22 | 146 | 1,49 | 2,1 | 14 | 367,9 | 8,35 | 9 | E01 | 364,64 |
| 5407029000 | BA-AC-N 250 | 900 | 40 | 2,60 | 6,7 | 22 | 294 | 2,43 | 4,2 | 14 | 731 | 13,37 | 12 | E01 | 435,00 |
| 5407029100 | BA-AC-N 315 | 1.200 | 40 | 2,61 | 8,9 | 22 | 391 | 2,56 | 5,6 | 14 | 973 | 14,09 | 16 | E01 | 508,72 |
| 5407029200 | BA-AC-N 355/18 | 1.900 | 40 | 2,61 | 14,5 | 22 | 636 | 4,49 | 8,9 | 14 | 1.561 | 24,25 | 20 | E01 | 638,70 |
| 5407029300 | BA-AC-N 355/23 | 2.400 | 40 | 2,69 | 18,1 | 22 | 796 | 4,23 | 11,2 | 14 | 1.952 | 22,69 | 25 | E01 | 701,49 |
| 5407029400 | BA-AC-N 400 | 3.000 | 40 | 2,66 | 22,5 | 22 | 992 | 3,58 | 14,0 | 14 | 2.441 | 19,43 | 33 | E01 | 894,01 |
| 5407029500 | BA-AC-N 450 | 4.400 | 40 | 2,68 | 33,5 | 22 | 1.476 | 5 | 20,7 | 14 | 3.564 | 26,69 | 42 | E01 | 1.088,57 |
| 5407029600 | BA-AC-N 500 | 5.500 | 40 | 2,68 | 41,4 | 22 | 1.820 | 3,90 | 25,6 | 14 | 4.470 | 21,23 | 53 | E01 | 1.370,78 |
| 5407029700 | BA-AC-N 630 | 8.000 | 40 | 2,68 | 60,3 | 22 | 2.652 | 3,94 | 37,3 | 14 | 6.511 | 21,44 | 65 | E01 | 1.762,26 |

*Entrada de aire a 15°C.

BAFR

Baterías de agua fría o caliente.
Fabricadas en chapa galvanizada con aislamiento interior de 10 mm para evitar la condensación.
Bandeja de condensados construida en acero inoxidable.
Conexiones circulares para entubar a la salida del circuito de impulsión del recuperador.
Las conexiones pueden estar en el lado izquierdo (modelos L) o derecho (modelos R) según el sentido del aire.

| Código | Modelo | | Caudal nominal (m³/h) | Pérdida carga aire (Pa) | Velocidad de paso (m/s) | Entrada aire (°C/%H.R.) | Potencia (kW) | Salida aire (°C/%H.R.) | Caudal agua (l/h) | Pérdida carga agua (kPa) | Salto térmico agua (°C) | Conexión agua | Peso (kg) | Grupo producto | Precio €/u. |
|------------|-----------|---------------|-----------------------|-------------------------|-------------------------|-------------------------|---------------|------------------------|-------------------|--------------------------|-------------------------|---------------|-----------|----------------|-------------|
| 5407033400 | BAFR 125L | Agua fría | 180 | 20 | 1 | 28/60 | 1,3 | 16/89,8 | 225 | 3,6 | 7/12 | 3/8" | 16,65 | E01 | 804,94 |
| | | Agua caliente | | | | 16/18 | 1,5 | 39,4/4,5 | 125 | 1,4 | 50/40 | | | | |
| 5407033500 | BAFR 125R | Agua fría | 180 | 20 | 1 | 28/60 | 1,3 | 16/89,8 | 225 | 3,6 | 7/12 | 3/8" | 16,65 | E01 | 804,94 |
| | | Agua caliente | | | | 16/18 | 1,5 | 39,4/4,5 | 125 | 1,4 | 50/40 | | | | |
| 5407033600 | BAFR 160L | Agua fría | 240 | 16 | 0,95 | 28/60 | 2 | 15/92 | 331 | 11,7 | 7/12 | 3/8" | 19,02 | E01 | 862,99 |
| | | Agua caliente | | | | 16/18 | 1,9 | 39/5 | 164 | 3,7 | 50/40 | | | | |
| 5407033700 | BAFR 160R | Agua fría | 240 | 16 | 0,95 | 28/60 | 2 | 15/92 | 331 | 11,7 | 7/12 | 3/8" | 19,02 | E01 | 862,99 |
| | | Agua caliente | | | | 16/18 | 1,9 | 39/5 | 164 | 3,7 | 50/40 | | | | |

Reguladores



Modelos NE

Modelos N

REB-1N / REB-1NE / REB-2,5N / REB-2,5NE

Reguladores de tensión electrónicos monofásicos, manuales.
Aplicación en superficie (modelos N) o empotrables (modelos NE).
Protegidos por fusible + fusible de recambio.
Cumplen con la Directiva de Compatibilidad Electromagnética 89/336/CEE.
Ajuste de mínima.
Puesta en marcha, regulación y paro con el mismo botón.

| Código | Modelo | Red eléctrica | | Índice de protección | Potencia (VA) | Intensidad máxima (A) | Intensidad mínima (A) | Aislamiento | Temperatura de utilización (°C) | Dimensiones (mm) | | | Grupo producto | Precio €/u. |
|------------|-----------|-----------------|-------------|----------------------|---------------|-----------------------|-----------------------|-------------|---------------------------------|------------------|-----|--------|----------------|-------------|
| | | Frecuencia (Hz) | Tensión (V) | | | | | | | L | A | H | | |
| 5401270300 | REB-1N | 50 | 220-240 | IP44 | 220 | 1 | 0,15 | Clase II | 0-40 | 80 | 68 | 80 | E80 | 114,39 |
| 5401271100 | REB-1NE | | | | | | | | | 80 | 57 | 80 | E80 | 108,02 |
| 5401272900 | REB-2,5N | | | | 80 | 68 | | | | 80 | E80 | 140,01 | | |
| 5401273700 | REB-2,5NE | | | | 80 | 57 | | | | 80 | E80 | 134,26 | | |

**REB-5**

Regulador de tensión electrónico monofásico.
Aplicación en superficie.
Protegido por fusible.
Interruptor paro-marcha separado.
Ajuste de mínima.

| Código | Modelo | Red eléctrica | | Índice de protección | Potencia (VA) | Intensidad máxima (A) | Aislamiento | Temperatura de utilización (°C) | Dimensiones (mm) | | | Grupo producto | Precio €/u. |
|------------|--------|-----------------|-------------|----------------------|---------------|-----------------------|-------------|---------------------------------|------------------|----|-----|----------------|-------------|
| | | Frecuencia (Hz) | Tensión (V) | | | | | | L | A | H | | |
| 5401302400 | REB-5 | 50 | 230 | IP54 | 1150 | 5 | Clase I | +5 / +35 | 83 | 81 | 160 | E80 | 198,64 |

**REB-10**

Regulador de tensión electrónico monofásico.
Aplicación en superficie.
Protegido por fusible.
Interruptor paro-marcha separado.
Ajuste de mínima.

| Código | Modelo | Red eléctrica | | Índice de protección | Potencia (VA) | Intensidad máxima (A) | Aislamiento | Temperatura de utilización (°C) | Dimensiones (mm) | | | Grupo producto | Precio €/u. |
|------------|--------|-----------------|-------------|----------------------|---------------|-----------------------|-------------|---------------------------------|------------------|----|-----|----------------|-------------|
| | | Frecuencia (Hz) | Tensión (V) | | | | | | L | A | H | | |
| 5401303200 | REB-10 | 50 | 230 | IP54 | 2300 | 10 | Clase I | +5 / +35 | 115 | 95 | 195 | E80 | 323,95 |

**RRB-100**

Regulador de tensión electromecánico monofásico, de reactancia variable.
Aplicación en superficie.
Interruptor de 5 posiciones.

| Código | Modelo | Red eléctrica | | Índice de protección | Potencia (VA) | Intensidad máxima (A) | Aislamiento | Temperatura de utilización (°C) | Dimensiones (mm) | | | Grupo producto | Precio €/u. |
|------------|---------|-----------------|-------------|----------------------|---------------|-----------------------|-------------|---------------------------------|------------------|----|-----|----------------|-------------|
| | | Frecuencia (Hz) | Tensión (V) | | | | | | L | A | H | | |
| 5401230700 | RRB-100 | 50 | 230 | IP20 | 94,3W | 0,41 | Clase II | +5 / +45 | 90 | 54 | 134 | E50 | 64,68 |



RMB

Reguladores de tensión electromecánicos por transformador, monofásicos, manuales.
Tensión de alimentación: 1/230V/50-60Hz.
Interruptor de 6 posiciones: 0-1-2-3-4-5.
Tensión de salida: 0-230-160-130-105-80V.
Luz piloto.

| Código | Modelo | Intensidad máxima (A) | Caja | Índice de protección | Aislamiento | Temperatura de utilización (°C) | Dimensiones (mm) | | | Peso (kg) | Grupo producto | Precio €/u. |
|------------|---------|-----------------------|-------|----------------------|-------------|---------------------------------|------------------|-----|-----|-----------|----------------|---------------|
| | | | | | | | A | B | C | | | |
| 5401245500 | RMB-1,5 | 1,5 | PP V0 | IP55 | Clase I | 0 / +40 | 230 | 180 | 95 | 3 | E80 | 416,31 |
| 5401246300 | RMB-3,5 | 3,5 | | | | | 230 | 180 | 95 | 4 | E80 | 448,32 |
| 5401641000 | RMB-5 | 5 | | | | | 230 | 180 | 95 | 4,5 | E80 | 526,70 |
| 5401247100 | RMB-8 | 8 | | | | | 310 | 230 | 125 | 10 | E80 | 675,14 |
| 5401248900 | RMB-10 | 10 | | | | | 310 | 230 | 125 | 12 | E80 | 793,61 |



Configuración RMT con caja metálica.



Configuración RMT con caja de ABS.

RMT

Reguladores de tensión electromecánicos por transformador, trifásicos, manuales.
Tensión de alimentación: 3/400V/50-60Hz.
Interruptor de 6 posiciones: 0-1-2-3-4-5.
Tensión de salida: 90, 150, 200, 280 y 400V.
Luz piloto.

| Código | Modelo | Intensidad máxima (A) | Caja | Índice de protección | Aislamiento | Temperatura de utilización (°C) | Dimensiones (mm) | | | Peso (kg) | Grupo producto | Precio €/u. |
|------------|---------|-----------------------|----------|----------------------|-------------|---------------------------------|------------------|-----|-----|-----------|----------------|-----------------|
| | | | | | | | A | B | C | | | |
| 5401250500 | RMT-1,5 | 1,5 | ABS | IP54 | Clase I | 0 / +40 | 280 | 200 | 140 | 6 | E80 | 608,64 |
| 5401254800 | RMT-2,5 | 2,5 | ABS | | | | 280 | 200 | 140 | 13 | E80 | 998,54 |
| 5401254900 | RMT-5 | 5 | Metálica | | | | 300 | 250 | 205 | 16 | E80 | 1.429,52 |
| 5401255000 | RMT-8 | 8 | Metálica | | | | 400 | 300 | 205 | 21 | E80 | 1.504,77 |
| 5401255100 | RMT-12 | 12 | Metálica | | | | 400 | 300 | 205 | 30 | E80 | 1.936,94 |

Convertidores de frecuencia

VFTM320



Configuración modelos alimentación trifásica de 5,5 a 15kW.

Convertidores de frecuencia para motores trifásicos de 0.18 a 15kW.
Grado de protección IP20.
Modelos VFTM320 MONO: Tensión de alimentación monofásica 230V-50/60Hz y salida trifásica 230V.
Modelos VFTM320 TRI: Tensión de alimentación trifásica 400V-50/60Hz y salida trifásica 400V.
Pantalla exterior para visualización de parámetros.
Rueda frontal para regulación manual de velocidad (frecuencia).

Configuración especial plug&play para modos de trabajo presión constante o regulación manual con rueda frontal.
Protección de sobrecargas y cortocircuitos.
Filtro CEM clase 2 integrado.
Protocolos de comunicación Modbus y CANopen integrados de serie.

La selección del convertidor de frecuencia debe efectuarse en base a la intensidad máxima absorbida del ventilador o extractor a regular.

| Código | Modelo | Potencia motor (kW) | Intensidad máxima (A) | Potencia disipada | Peso (kg) | Grupo producto | Precio €/u. |
|--|-------------------|---------------------|-----------------------|-------------------|-----------|----------------|-------------|
| Alimentación monofásica 230V-50/60Hz + tierra, salida trifásica 230 V | | | | | | | |
| 5401225200 | VFTM320 MONO 0,18 | 0,18 | 1,5 | 22 | 0,8 | E80 | 472,25 |
| 5401225300 | VFTM320 MONO 0,37 | 0,37 | 3,3 | 32 | 1 | E80 | 491,91 |
| 5401225400 | VFTM320 MONO 0,55 | 0,55 | 3,7 | 42 | 1,1 | E80 | 557,55 |
| 5401225500 | VFTM320 MONO 0,75 | 0,75 | 4,8 | 48 | 1,1 | E80 | 616,55 |
| 5401225600 | VFTM320 MONO 1,10 | 1,10 | 6,9 | 66 | 1,6 | E80 | 669,01 |
| 5401225700 | VFTM320 MONO 1,5 | 1,5 | 8 | 82 | 1,6 | E80 | 714,96 |
| 5401225800 | VFTM320 MONO 2,2 | 2,2 | 11 | 110 | 1,6 | E80 | 1.075,69 |
| Alimentación trifásica 400/500V-50/60Hz + tierra, salida trifásica 400 V | | | | | | | |
| 5401225900 | VFTM320 TRI 0,37 | 0,37 | 1,5 | 28 | 1,2 | E80 | 724,13 |
| 5401226000 | VFTM320 TRI 0,55 | 0,55 | 1,9 | 33 | 1,2 | E80 | 778,46 |
| 5401226100 | VFTM320 TRI 0,75 | 0,75 | 2,3 | 38 | 1,2 | E80 | 983,60 |
| 5401226200 | VFTM320 TRI 1,10 | 1,10 | 3 | 47 | 1,3 | E80 | 1.019,84 |
| 5401226300 | VFTM320 TRI 1,5 | 1,5 | 4,1 | 61 | 1,3 | E80 | 1.110,32 |
| 5401226400 | VFTM320 TRI 2,2 | 2,2 | 5,5 | 76 | 2,1 | E80 | 1.206,87 |
| 5401226500 | VFTM320 TRI 3 | 3 | 7,1 | 94 | 2,1 | E80 | 1.249,12 |
| 5401226600 | VFTM320 TRI 4 | 4 | 9,5 | 112 | 2,2 | E80 | 1.499,59 |
| 5401226700 | VFTM320 TRI 5,5 | 5,5 | 14,3 | 233 | 4,4 | E80 | 1.798,24 |
| 5401226800 | VFTM320 TRI 7,5 | 7,5 | 17 | 263 | 4,4 | E80 | 2.365,54 |
| 5401226900 | VFTM320 TRI 11 | 11 | 27,7 | 403 | 6,8 | E80 | 3.137,92 |
| 5401227000 | VFTM320 TRI 15 | 15 | 33 | 480 | 6,9 | E80 | 3.614,63 |

VFTM320 IP66 / VFTM650 IP55



Configuración modelos VFTM650 TRI 11 y 15 IP55

Convertidores de frecuencia para motores trifásicos de 0.18 a 15kW.
Grado de protección IP66 (IP55 modelos VFTM650 TRI 11 y 15 IP55)
Modelos VFTM320 MONO IP66: Tensión de alimentación monofásica 230V-50/60Hz y salida trifásica 230V.
Modelos VFTM320 TRI IP66 y VFTM650 TRI IP55: Tensión de alimentación trifásica 400V-50/60Hz y salida trifásica 400V.
Pantalla exterior para visualización de parámetros.
Rueda frontal interior para regulación manual de velocidad (frecuencia).

Configuración especial plug&play para modos de trabajo presión constante o regulación manual con rueda frontal interna [exceptos modelos VFTM650, sin configuración plug&play de fábrica]
Protección de sobrecargas y cortocircuitos.
Filtro CEM clase 2 integrado.
Protocolos de comunicación Modbus y CANopen integrados de serie [excepto modelos VFTM650 IP55, protocolo Modbus y Ethernet].

La selección del convertidor de frecuencia debe efectuarse en base a la intensidad máxima absorbida del ventilador o extractor a regular.

| Código | Modelo | Potencia motor (kW) | Intensidad máxima (A) | Potencia disipada | Peso (kg) | Grupo producto | Precio €/u. |
|--|------------------------|---------------------|-----------------------|-------------------|-----------|----------------|-------------|
| Alimentación monofásica 230V-50/60Hz + tierra, salida trifásica 230 V | | | | | | | |
| 5401227100 | VFTM320 MONO 0,18 IP66 | 0,18 | 1,5 | 22 | 5 | E80 | 652,64 |
| 5401227200 | VFTM320 MONO 0,37 IP66 | 0,37 | 3,3 | 32 | 5,1 | E80 | 728,05 |
| 5401227300 | VFTM320 MONO 0,55 IP66 | 0,55 | 3,7 | 42 | 5,1 | E80 | 747,73 |
| 5401227400 | VFTM320 MONO 0,75 IP66 | 0,75 | 4,8 | 48 | 5,1 | E80 | 839,56 |
| 5401227500 | VFTM320 MONO 1,10 IP66 | 1,10 | 6,9 | 66 | 7,4 | E80 | 1.029,78 |
| 5401227600 | VFTM320 MONO 1,5 IP66 | 1,5 | 8 | 82 | 7,4 | E80 | 1.108,49 |
| 5401227700 | VFTM320 MONO 2,2 IP66 | 2,2 | 11 | 110 | 7,4 | E80 | 1.167,54 |
| Alimentación trifásica 380/500V-50/60Hz + tierra, salida trifásica 400 V | | | | | | | |
| 5401227800 | VFTM320 TRI 0,37 IP66 | 0,37 | 1,5 | 28 | 5,9 | E80 | 1.082,28 |
| 5401227900 | VFTM320 TRI 0,55 IP66 | 0,55 | 1,9 | 33 | 5,9 | E80 | 1.200,31 |
| 5401228000 | VFTM320 TRI 0,75 IP66 | 0,75 | 2,3 | 38 | 5,9 | E80 | 1.502,03 |
| 5401228100 | VFTM320 TRI 1,10 IP66 | 1,10 | 3 | 47 | 6 | E80 | 1.672,54 |
| 5401228200 | VFTM320 TRI 1,5 IP66 | 1,5 | 4,1 | 61 | 6 | E80 | 1.705,39 |
| 5401228300 | VFTM320 TRI 2,2 IP66 | 2,2 | 5,5 | 76 | 7,7 | E80 | 1.902,16 |
| 5401228400 | VFTM320 TRI 3 IP66 | 3 | 7,1 | 94 | 7,7 | E80 | 2.295,67 |
| 5401228500 | VFTM320 TRI 4 IP66 | 4 | 9,5 | 112 | 7,8 | E80 | 2.440,02 |
| 5401228600 | VFTM320 TRI 5,5 IP66 | 5,5 | 14,3 | 233 | 22 | E80 | 2.492,43 |
| 5401228700 | VFTM320 TRI 7,5 IP66 | 7,5 | 17 | 263 | 22 | E80 | 3.436,99 |
| 5401228800 | VFTM650 TRI 11 IP55 | 11 | 23,5 | 371 | 13,7 | E80 | 3.804,27 |
| 5401228900 | VFTM650 TRI 15 IP55 | 15 | 31,7 | 532 | 19,6 | E80 | 5.181,73 |

Accesorios para Convertidores de Frecuencia VFTM



LxAxH (mm): 82x56x80

REB-CVF

Control remoto para convertidores de frecuencia de la gama VFTM, con interruptor paro/marcha y potenciómetro.

| Código | Modelo | Grupo producto | Precio €/u. |
|------------|---------|----------------|-------------|
| 5401304100 | REB-CVF | E80 | 161,40 |



VFKB IP65

Convertidores de frecuencia.
Para motores trifásicos de 0.37 a 4kW.
Caja de aluminio IP65.
Fácil utilización (no requiere programador).
Tensión de alimentación: 230V 50/60Hz (VFKB 24 y 27), 400V-50/60Hz (VFKB 45 y 48).
Selector de potencias del motor.
Selector de velocidad con potenciómetro.
Interruptor paro-marcha.
Protección de sobrecargas y cortocircuitos.
Filtros REI/EMI tipo A.

La selección del convertidor de frecuencia debe efectuarse en base a la intensidad máxima absorbida del ventilador o extractor a regular.

| Código | Modelo | Potencia motor (kW) | Intensidad máxima (A) | Peso (kg) | Grupo producto | Precio €/u. |
|---|---------|---------------------|-----------------------|-----------|----------------|-------------|
| Alimentación monofásica 230V-50/60Hz, salida trifásica 230V | | | | | | |
| 5401617800 | VFKB 24 | 0,75 | 3,6 | 2,7 | E80 | 1.071,99 |
| | | 0,55 | | | | |
| | | 0,37 | | | | |
| | | 0,18 | | | | |
| | | 0,09 | | | | |
| 5401617900 | VFKB 27 | 1,5 | 6,7 | 4,7 | E80 | 1.544,97 |
| | | 1,1 | | | | |
| | | 0,75 | | | | |
| | | 0,55 | | | | |
| | | 0,37 | | | | |
| Alimentación trifásica 40V-50/60Hz, salida trifásica 400V | | | | | | |
| 5401618000 | VFKB 45 | 0,37 | 1,8 | 4,7 | E80 | 1.797,22 |
| | | 0,55 | 2,1 | | | |
| | | 0,75 | 2,8 | | | |
| | | 1,1 | 3,4 | | | |
| | | 1,5 | 4,6 | | | |
| 5401618100 | VFKB 48 | 2,2 | 5,6 | 4,7 | E80 | 1.923,30 |
| | | 3 | 7,8 | | | |
| | | 4 | 8,3 | | | |

Interruptores - Conmutadores



REGUL-2

Interruptor.
Posición ON/OFF.
Selector de 2 velocidades.

| Código | Modelo | Intensidad máxima absorbida (A) | Dimensiones (mm) | | | Grupo producto | Precio €/u. |
|------------|---------|---------------------------------|------------------|----|----|----------------|-------------|
| | | | L | A | H | | |
| 5401260400 | REGUL-2 | 4,5 | 84 | 59 | 84 | E80 | 52,44 |



COM-2

Interruptor rotativo.
Posición ON/OFF.
Selector de 2 velocidades.

| Código | Modelo | Intensidad máxima absorbida (A) | Dimensiones (mm) | | | Grupo producto | Precio €/u. |
|------------|--------|---------------------------------|------------------|----|-----|----------------|-------------|
| | | | L | A | H | | |
| 5401259600 | COM-2 | 4 | 84 | 38 | 102 | E80 | 49,51 |



INTER 4P

Interruptor rotativo.
Posición ON/OFF.
Selector de 3 velocidades.

| Código | Modelo | Intensidad máxima absorbida (A) | Dimensiones (mm) | | | Grupo producto | Precio €/u. |
|------------|----------|---------------------------------|------------------|----|------|----------------|-------------|
| | | | L | A | H | | |
| 5401640600 | INTER 4P | 4 | 86 | 86 | 60,4 | E80 | 75,66 |



INTERRUPTOR PARO-MARCHA

| Código | Modelo | Grupo producto | Precio €/u. |
|------------------------------|----------------------------|----------------|-------------|
| Interruptores - Conmutadores | | | |
| 5401628100 | BCCA 1V | E80 | 118,15 |
| 5401257000 | COM D/S | E80 | 161,82 |
| 5401306500 | COM-3 | E80 | 119,50 |
| 5401285100 | INTERRUPTOR PARO-MARCHA 5P | E80 | 108,18 |
| 5401286900 | INTERRUPTOR PARO-MARCHA 8P | E80 | 141,58 |
| 5209124600 | INTERRUPTOR VMC 2V | E80 | 13,10 |
| 5132926000 | MSK EX | E80 | 364,08 |
| 5401257100 | SELZ 04 | E80 | 176,56 |

Interrupedores Desenfumage



| Código | Modelo | Grupo producto | Precio €/u. |
|---|----------------------------|----------------|-----------------|
| Interrupedores Desenfumage | | | |
| 5401636100 | INT-IPM 25/6P-F300 | E80 | 446,55 |
| 5401627200 | INT-IPM 25/6P-F400 | E80 | 526,88 |
| 5401627300 | INT-IPM 40/6P-F400 | E80 | 578,22 |
| 5401636200 | INT-IPM 63/6P-F400 | E80 | 1.006,03 |
| 5401636300 | INT-IPM 125/6P-F400 | E80 | 1.135,31 |
| Interrupedores Desenfumage con contactores auxiliares | | | |
| 5401636400 | INT-IPM 25/6P+1NA+1NC-F300 | E80 | 531,13 |
| 5401641800 | INT-IPM 25/6P+2AUX-F300 | E80 | 574,31 |
| 5401641500 | INT-IPM 25/6P+2AUX-F400 | E80 | 677,33 |
| 5401641400 | INT-IPM 40/6P+2AUX-F400 | E80 | 798,82 |

**DEMZ****DEMZ BI**

Interrupedores para motores de dos velocidades con bobinados independientes.

DEMZ DA

Interrupedores para motores Dahlander.

- IP55.
- Interruptor 0/LS/HS (0/Velocidad baja/Velocidad alta).
- Protección térmica integrada.
- Contacto auxiliar para válvula solenoide.
- Instalación exterior posible.
- Se pueden instalar en exterior.

| Código | Modelo | Rango de intensidad (A) | | Grupo producto | Precio €/u. | Código | Modelo | Rango de intensidad (A) | | Grupo producto | Precio €/u. |
|------------|------------------|-------------------------|----------------|----------------|-----------------|------------|------------------|-------------------------|----------------|----------------|-----------------|
| | | Velocidad Baja | Velocidad Alta | | | | | Velocidad Baja | Velocidad Alta | | |
| 5138929900 | DEMZ 0,55/1,3 BI | 0,41 a 0,55 | 1 a 1,3 | E80 | 788,36 | 5138932700 | DEMZ 0,55/1 DA | 0,41 a 0,55 | 0,74 a 1 | E80 | 945,36 |
| 5138930000 | DEMZ 0,74/1,3 BI | 0,55 a 0,74 | 1 a 1,3 | E80 | 788,36 | 5138932800 | DEMZ 0,74/1,7 DA | 0,55 a 0,74 | 1,3 a 1,7 | E80 | 945,36 |
| 5138930100 | DEMZ 1/1,7 BI | 0,74 a 1 | 1,3 a 1,7 | E80 | 788,36 | 5138932900 | DEMZ 0,74/2,3 DA | 0,55 a 0,74 | 1,7 a 2,3 | E80 | 945,36 |
| 5138930200 | DEMZ 1/2,3 BI | 0,74 a 1 | 1,7 a 2,3 | E80 | 788,36 | 5138933000 | DEMZ 1/1,3 DA | 0,74 a 1 | 1 a 1,3 | E80 | 945,36 |
| 5138930300 | DEMZ 1,3/1,7 BI | 1 a 1,3 | 1,3 a 1,7 | E80 | 788,36 | 5138933100 | DEMZ 1/1,7 DA | 0,74 a 1 | 1,3 a 1,7 | E80 | 945,36 |
| 5138930400 | DEMZ 1,3/2,3 BI | 1 a 1,3 | 1,7 a 2,3 | E80 | 788,36 | 5138933200 | DEMZ 1/2,3 DA | 0,74 a 1 | 1,7 a 2,3 | E80 | 945,36 |
| 5138930500 | DEMZ 1,3/3,1 BI | 1 a 1,3 | 2,3 a 3,1 | E80 | 788,36 | 5138933300 | DEMZ 1/3,1 DA | 0,74 a 1 | 2,3 a 3,1 | E80 | 945,36 |
| 5138930600 | DEMZ 1,7/2,3 BI | 1,3 a 1,7 | 1,7 a 2,3 | E80 | 788,36 | 5138933400 | DEMZ 1,3/3,1 DA | 1 a 1,3 | 2,3 a 3,1 | E80 | 945,36 |
| 5138930700 | DEMZ 1,7/3,1 BI | 1,3 a 1,7 | 2,3 a 3,1 | E80 | 788,36 | 5138933500 | DEMZ 1,3/4,2 DA | 1 a 1,3 | 3,1 a 4,2 | E80 | 945,36 |
| 5138930800 | DEMZ 1,7/4,2 BI | 1,3 a 1,7 | 3,1 a 4,2 | E80 | 788,36 | 5138912600 | DEMZ 1,7/4,2 DA | 1,3 a 1,7 | 3,1 a 4,2 | E80 | 930,44 |
| 5138930900 | DEMZ 2,3/3,1 BI | 1,7 a 2,3 | 2,3 a 3,1 | E80 | 788,36 | 5138933600 | DEMZ 1,7/5,7 DA | 1,3 a 1,7 | 4,2 a 5,7 | E80 | 945,36 |
| 5138931000 | DEMZ 3,1/4,2 BI | 2,3 a 3,1 | 3,1 a 4,2 | E80 | 788,36 | 5138927900 | DEMZ 2,3/5,7 DA | 1,7 a 2,3 | 4,2 a 5,7 | E80 | 945,36 |
| 5138931100 | DEMZ 3,1/5,7 BI | 2,3 a 3,1 | 4,2 a 5,7 | E80 | 788,36 | 5138933700 | DEMZ 2,3/7,6 DA | 1,7 a 2,3 | 5,7 a 7,6 | E80 | 945,36 |
| 5138931200 | DEMZ 3,1/7,6 BI | 2,3 a 3,1 | 5,7 a 7,6 | E80 | 788,36 | 5138933800 | DEMZ 2,3/10 DA | 1,7 a 2,3 | 7,6 a 10 | E80 | 972,58 |
| 5138931300 | DEMZ 4,2/5,7 BI | 3,1 a 4,2 | 4,2 a 5,7 | E80 | 788,36 | 5138933900 | DEMZ 3,1/7,6 DA | 2,3 a 3,1 | 5,7 a 7,6 | E80 | 945,36 |
| 5138931400 | DEMZ 4,2/7,6 BI | 3,1 a 4,2 | 5,7 a 7,6 | E80 | 788,36 | 5138934000 | DEMZ 3,1/10 DA | 2,3 a 3,1 | 7,6 a 10 | E80 | 945,36 |
| 5138931500 | DEMZ 4,2/10 BI | 3,1 a 4,2 | 7,6 a 10 | E80 | 815,63 | 5138934100 | DEMZ 4,2/10 DA | 3,1 a 4,2 | 7,6 a 10 | E80 | 972,58 |
| 5138931600 | DEMZ 5,7/7,6 BI | 4,2 a 5,7 | 5,7 a 7,6 | E80 | 788,36 | 5138934200 | DEMZ 4,2/13 DA | 3,1 a 4,2 | 10 a 13 | E80 | 997,30 |
| 5138931700 | DEMZ 5,7/10 BI | 4,2 a 5,7 | 7,6 a 10 | E80 | 815,63 | 5138934300 | DEMZ 5,7/13 DA | 4,2 a 5,7 | 10 a 13 | E80 | 997,30 |
| 5138931800 | DEMZ 5,7/13 BI | 4,2 a 5,7 | 10 a 13 | E80 | 840,35 | 5138928000 | DEMZ 5,7/15,5 DA | 4,2 a 5,7 | 13 a 15,5 | E80 | 997,30 |
| 5138931900 | DEMZ 7,6/13 BI | 5,7 a 7,6 | 10 a 13 | E80 | 840,35 | 5138934400 | DEMZ 5,7/24 DA | 4,2 a 5,7 | 20 a 24 | E80 | 1.136,70 |
| 5138932000 | DEMZ 7,6/15,5 BI | 5,7 a 7,6 | 13 a 15,5 | E80 | 840,35 | 5138934500 | DEMZ 7,6/24 DA | 5,7 a 7,6 | 20 a 24 | E80 | 1.136,67 |
| 5138932100 | DEMZ 10/13 BI | 7,6 a 10 | 10 a 13 | E80 | 867,61 | 5138928600 | DEMZ 10/20 DA | 7,6 a 10 | 16 a 20 | E80 | 1.146,75 |
| 5138932200 | DEMZ 10/20 BI | 7,6 a 10 | 16 a 20 | E80 | 963,83 | 5138934600 | DEMZ 10/29 DA | 7,6 a 10 | 24 a 29 | E80 | 1.234,90 |
| 5138932300 | DEMZ 10/24 BI | 7,6 a 10 | 20 a 24 | E80 | 963,83 | | | | | | |
| 5138932400 | DEMZ 13/15,5 BI | 10 a 13 | 13 a 15,5 | E80 | 892,32 | | | | | | |
| 5138932500 | DEMZ 13/29 BI | 10 a 13 | 24 a 29 | E80 | 1.079,52 | | | | | | |
| 5138932600 | DEMZ 20/24 BI | 16 a 20 | 20 a 24 | E80 | 1.032,05 | | | | | | |

Temporizadores

**TIMER ZN-62**

Temporizador.
Para productos de la gama hábitat.
Puesta en marcha: 1 minuto.
Temporización: 6 minutos.
Carga resistiva: 2.5 A
Carga inductiva: 1.6 A

| Código | Modelo | Grupo producto | Precio €/u. |
|------------|--------------|----------------|-------------|
| | Temporizador | | |
| 5416256500 | TIMER ZN-62 | E80 | 49,31 |

Presostatos



PRESOSTATO DPS

| Código | Modelo | Grupo producto | Precio €/u. |
|-------------|------------------------|----------------|-------------|
| Presostatos | | | |
| 5407004100 | PRESOSTATO DPS 2-30 | E80 | 88,40 |
| 5209177800 | PRESOSTATO DPS 10-100 | E80 | 88,40 |
| 5209203500 | PRESOSTATO DPS 100-500 | E80 | 88,40 |

Servomotores



LF

| Código | Modelo | Grupo producto | Precio €/u. |
|--------------|------------|----------------|-------------|
| Servomotores | | | |
| 5416763000 | LF-24S | E80 | 581,64 |
| 5416752600 | LM-230A | E80 | 372,88 |
| 5416762900 | LF-230S | E80 | 563,56 |
| 5137056700 | SM-24/T-N | E80 | 269,71 |
| 5137056500 | SM-230/T-N | E80 | 246,45 |
| 5137056600 | SM-24/PRO | E80 | 337,87 |

Transformadores



| Código | Modelo | Grupo producto | Precio €/u. |
|-----------------|------------|----------------|-------------|
| Transformadores | | | |
| 5416753400 | TRAF0 15-D | E80 | 199,52 |



Transformadores de seguridad CT-12/14 y CT-12/14-R

Transformadores de seguridad 230V/12V - 50Hz, protegidos por fusible, para usar con los extractores de 12V de las Series SILENT, DECOR y EDM. El modelo CT-12/14R incorpora temporizador regulable entre 1 y 30 minutos.

| Código | Modelo | Red eléctrica | | Índice de protección | Potencia máxima (VA) | Aislamiento | Tensión de salida (V) | Dimensiones (mm) | | | Unids. por caja | Grupo producto | Precio €/u. |
|------------|------------|-----------------|-------------|----------------------|----------------------|-------------|-----------------------|------------------|----|----|-----------------|----------------|-------------|
| | | Frecuencia (Hz) | Tensión (V) | | | | | L | A | H | | | |
| 5401261200 | CT-12/14 | 50 | 220-240 | IP21 | 14 | Clase II | 12 | 130 | 43 | 82 | 6 | E80 | 102,04 |
| 5401292700 | CT-12/14-R | | | | | | | | | | | | 114,59 |

Accesorios Eléctricos para Baterías Eléctricas



PULSER



TG-K



TBI-30

| Código | Modelo | Grupo producto | Precio €/u. |
|--------------------------------------|------------|----------------|-------------|
| Reguladores para baterías eléctricas | | | |
| 5416349800 | PULSER D | E80 | 345,03 |
| 5416354800 | PULSER M | E80 | 390,20 |
| 5416365400 | PULSER-ADD | E80 | 382,23 |
| 5132867200 | TTC-2000 | E80 | 1.470,97 |
| 5209177200 | TTC-25 | E80 | 1.470,97 |
| 5209177300 | TTC-40F | E80 | 1.635,52 |
| 5132868000 | TT-S1 | E80 | 252,78 |
| 5132868100 | TT-S4/D | E80 | 768,71 |
| Sondas para baterías eléctricas | | | |
| 5416588100 | TG-K310 | E80 | 98,57 |
| 5416582400 | TG-K330 | E80 | 66,36 |
| 5209177500 | TG-K360 | E80 | 88,72 |
| 5209177400 | TG-R430 | E80 | 116,28 |
| 5416578200 | TG-R530 | E80 | 72,97 |
| Potenciómetros | | | |
| 5209178100 | TBI-10 | E80 | 126,25 |
| 5209177600 | TBI-30 | E80 | 126,25 |
| Temporizadores | | | |
| 5416350600 | MCR-1 | E80 | 451,84 |

Accesorios Eléctricos para Baterías de Agua



3WV

| Código | Modelo | Grupo producto | Precio €/u. |
|--|--------------------------|----------------|-------------|
| Válvulas motorizadas de 3 vías con actuador proporcional | | | |
| 5407037900 | 3WV DN15 KVS1 PROP 24V | E80 | 509,24 |
| 5407038000 | 3WV DN15 KVS1,6 PROP 24V | E80 | 509,24 |
| 5407038100 | 3WV DN15 KVS2,5 PROP 24V | E80 | 509,24 |
| 5407038200 | 3WV DN20 KVS4 PROP 24V | E80 | 537,26 |
| 5407038300 | 3WV DN25 KVS6,3 PROP 24V | E80 | 593,22 |
| 5407038400 | 3WV DN25 KVS10 PROP 24V | E80 | 593,22 |
| 5407068200 | 3WV DN32 KVS16 PROP 24V | E80 | 785,48 |
| 5407038500 | 3WV DN40 KVS16 PROP 24V | E80 | 852,53 |
| Unidad de control de temperatura | | | |
| 5132927400 | TRW | E80 | 410,20 |
| Termostatos | | | |
| 5132840300 | THE 16/4 A | E80 | 161,32 |
| 5132927300 | THE-F | E80 | 185,71 |
| Termostato regulador válvula de 3 vías | | | |
| 5416832200 | WCT | E80 | 352,27 |

Elementos inteligentes para demanda controlada de ventilación

**CONTROL ECOWATT**

Elemento de control para sistemas de modulación de los caudales en instalaciones de ventilación de edificios públicos, comerciales o residenciales, que controla continuamente la velocidad de los motores para adecuarse a las necesidades reales, reducir el consumo energético y mantener un ambiente bien ventilado.

CONTROL ECOWATT AC/DC con alimentación monofásica 90-260V 50/60Hz y salida analógica ajustable entre 0-10V para ventiladores con motor de corriente continua o convertidor de frecuencia.

CONTROL ECOWATT AC/4A con alimentación monofásica 230V-50Hz y salida en tensión variable entre 80 y 230V para ventiladores con motor monofásico 230V-50Hz.

Cada modelo ofrece 3 modalidades de funcionamiento:

- Control Proporcional Integral (PI) para sistemas de presión constante con una entrada analógica 0-10V ó 4-20mA.
- Control Proporcional en base a tres posibles entradas analógicas (0-10V ó 4-20mA), para conectar sondas de CO₂, de humedad o de temperatura y adecuar la ventilación proporcionalmente al parámetro de máxima demanda.
- Control Mínimo-Máximo, con tres posibles entradas digitales para contactos exteriores o un detector de presencia, y pasar de una ventilación mínima a una ventilación máxima.

| Código | Modelo | Alimentación | Intensidad máxima (A) | Salida | Índice de protección | Temperatura de utilización | Dimensiones LxAxH (mm) | Grupo producto | Precio €/u. |
|------------|-----------------------|--------------|-----------------------|---------|----------------------|----------------------------|------------------------|----------------|---------------|
| 5401613800 | CONTROL ECOWATT AC/DC | 90-260 VAC | 4 | 0-10V | IP54 | -10°C a +50°C | 165x220x100 | E80 | 757,81 |
| 5401620900 | CONTROL ECOWATT AC/4A | 230 VAC | | 80-230V | | | | E80 | 757,81 |

**CONTROL ECOWATT BASIC**

Elemento de control para ventiladores ECOWATT con motor brushless de corriente continua. Permite controlar una señal de salida analógica 0-10V dependiendo del estado de hasta tres entradas digitales del tipo libres de potencial. Ante cada cambio de señal digital, se le puede asignar un valor de salida de tensión entre 0 y 10V.

Modalidades funcionamiento:

1. ON/OFF remoto y hasta dos velocidades ajustables.
2. Hasta tres velocidades ajustables tomando como salida el valor más desfavorable.

| Código | Modelo | Alimentación | Intensidad máxima (A) | Salida | Índice de protección | Temperatura de utilización | Dimensiones LxAxH (mm) | Grupo producto | Precio €/u. |
|------------|-----------------------|--------------|-----------------------|--------|----------------------|----------------------------|------------------------|----------------|---------------|
| 5401637300 | CONTROL ECOWATT BASIC | 230 VAC | 6 | 0-10V | IP54 | -10°C a +50°C | 160x145x80 | E80 | 185,82 |

PROSYS ECOWATT

Consola de programación específica para series ECOWATT PLUS. Permite la selección y ajuste de los modos de funcionamiento presión constante (COP), caudal constante (CAV), caudal de aire variable (VAV) y Mínimo-Máximo.

Incluye cable RJ45 de 1 metros de longitud para conexión con el ventilador.

| Código | Modelo | Dimensiones LxAxH (mm) | Grupo producto | Precio €/u. |
|------------|----------------|------------------------|----------------|---------------|
| 5401624700 | PROSYS ECOWATT | 102x70x35 | E80 | 233,49 |

TIMER RTC ECOWATT

Módulo electrónico específico para series ECOWATT PLUS. Permite disponer de un programador horario configurable con hasta tres franjas horarias diarias de funcionamiento además de período de vacaciones.

Para su programación es necesaria la consola de programación PROSYS ECOWATT.

| Código | Modelo | Dimensiones LxAxH (mm) | Grupo producto | Precio €/u. |
|------------|-------------------|------------------------|----------------|--------------|
| 5401635500 | TIMER RTC ECOWATT | 3x70x35 | E80 | 69,62 |



VAPZ

Reguladores electrónicos de tensión para ventiladores monofásicos 230V-50Hz, funcionando en posición AUTO según tres tipos de entrada y tensiones límites de salida entre 80V y 230V:

- Entrada analógica 0-10V ó 4-20mA: El ventilador funciona proporcionalmente al valor de entrada con ajustes de los valores mínimos y máximos de las entradas y de las salidas.
- Entrada "Paro/Marcha": cuando un contacto exterior (reloj) se cierra, el ventilador se pone en

marcha en función de la tensión en la entrada analógica. Esta conexión asociada a un detector de presencia, permite tener un sistema de ventilación tipo Mínimo-Máximo.

- Entrada "Velocidad Máxima": permite, con un contacto exterior, hacer funcionar el ventilador a la velocidad máxima ajustada.

| Código | Modelo | Alimentación | Intensidad máxima (A) | Salida | Índice de protección | Temperatura de utilización | Dimensiones LxAxH (mm) | Grupo producto | Precio €/u. |
|------------|---------|--------------|-----------------------|-----------|----------------------|----------------------------|------------------------|----------------|---------------|
| 5401620500 | VAPZ-3 | 230V-50Hz | 3 | 80 a 230V | IP54 | -10°C a +50°C | 205x115x92 | E80 | 337,11 |
| 5401620600 | VAPZ-5 | | 5 | | | | | E80 | 359,82 |
| 5401620700 | VAPZ-11 | | 11 | | | | | E80 | 378,37 |



VRPU

Reguladores electrónicos de tensión con display para ventiladores monofásicos 230V, 50/60Hz. Entrada analógica 0-10V ó 4-20mA: El ventilador funciona proporcionalmente al valor de entrada con ajustes de los valores mínimos y máximos de las entradas y de las salidas. Entrada "Paro/Marcha": cuando un contacto exterior (p.e. reloj) se cierra, el ventilador se pone en marcha en función de la tensión en la entrada analógica.

Esta conexión asociada a un detector de presencia, permite tener un sistema de ventilación tipo mínimo - máximo. Entrada "velocidad máxima": permite, con un contacto exterior, hacer funcionar el ventilador a la velocidad máxima ajustada. Salidas: magneto- térmico contacto seco. Iluminación 230V 50Hz (max. 8A). Alimentación maestro/esclavo 24Vdc (max. 100mA).

| Código | Modelo | Alimentación | Intensidad máxima (A) | Salida | Índice de protección | Temperatura de utilización | Dimensiones LxAxH (mm) | Grupo producto | Precio €/u. |
|------------|---------|--------------|-----------------------|-----------|----------------------|----------------------------|------------------------|----------------|---------------|
| 5401626900 | VRPU-5 | 230V-50/60Hz | 5 | 110V-230V | IP55 | -10°C a +50°C | 200x176x80 | E80 | 756,05 |
| 5401627000 | VRPU-11 | | 11 | | | | | E80 | 939,63 |



PACK PR

Reguladores electrónicos de tensión. Para motores monofásicos. Permite la variación de velocidad de un ventilador monofásico mediante regulación de la tensión. Especialmente diseñado para sistemas de presión constante. El regulador incluye transmisor de presión interior, ya cableado. Transmisor de presión integrado (12VDC).

Prensaestopas. Función BOOST integrada, de duración configurable (10-60 min.). Display de 3 dígitos. Entrada para accionamiento remoto paro-marcha. Entrada para accionamiento funcionamiento a velocidad rápida. Entrada configurable para sondas analógicas (mA/V) y sondas resistivas (NTC / PT1000).

| Código | Modelo | Alimentación | Intensidad máx. (A) | Rango de presión (Pa) | Índice de protección | Temperatura de utilización | Dimensiones LxAxH (mm) | Grupo producto | Precio €/u. |
|------------|-------------|-------------------------|---------------------|-----------------------|----------------------|---|------------------------|----------------|-----------------|
| 5401625400 | PACK PR 5A | Monofásico 230V 50/60Hz | 5 | 0-300 | IP55 | -10 a +50°C, máx. 95% HR sin condensación | 176x200x80 | E80 | 1.173,25 |
| 5401625500 | PACK PR 11A | | 11 | 0-800 | | | | E80 | 1.186,79 |



CONTROL FILTER-REG

Accesorio para el control de las unidades de ventilación UVF-ECOWATT, UTBS-ECOWATT y los purificadores UPC-ECOWATT. Se suministra como accesorio (cableado e instalación no incluida).

Funciones:
 Control proporcional del ventilador de forma manual mediante pulsadores.
 Control proporcional del ventilador de forma automática mediante AIRSENS o sonda de CO₂ (Accesorio).
 Control del ventilador a caudal constante mediante

un transmisor de presión TDP-S (Accesorio). Programación horaria semanal. Control del ensuciamiento de filtros mediante es presostato incluido en las todas unidades de las gamas UVF-ECOWATT, UTBS-ECOWATT y UPC-ECOWATT. Señal de salida de alarma (filtro sucio). Se aconseja instalación a poca distancia del equipo (< 3 m.). Distancia máxima 10 m. Comunicación Modbus.

| Código | Modelo | Alimentación | Intensidad máxima (A) | Carga máxima relé (A) | IP Protección | Temperatura de trabajo | Dimensiones LxAxH (mm) | Grupo producto | Precio €/u. |
|------------|--------------------|------------------|-----------------------|-----------------------|---------------|------------------------|------------------------|----------------|---------------|
| 5401229700 | CONTROL FILTER-REG | 230 VAC 50-60 Hz | 10 | 5 | IP20 | 0°C a +50°C | 101x93x24 | E80 | 446,93 |



BEAS

Módulo de control electrónico de adaptación de señal que permite convertir una señal tipo contacto libre de potencial (detector de presencia) o analógica (sonda de CO₂, %HR o T°C) en una señal compatible con el aparato utilizado:

- Convertidor de frecuencia.
- Compuerta motorizada.
- Ventilador con motor de corriente continua.
- Ventilador monofásico de dos velocidades.

Los ajustes de las entradas y salidas permiten adecuar el resultado a la necesidad real de la instalación.

| Código | Modelo | Alimentación | Consumo (W) | Índice de protección | Temperatura de utilización | Dimensiones LxAxH (mm) | Grupo producto | Precio €/u. |
|------------|--------|--------------|-------------|----------------------|----------------------------|------------------------|----------------|-------------|
| 5401620800 | BEAS | 24VAC | 1,5 | IP54 | -10°C a +50°C max 95% HR | 175x130x80 | E80 | 216,07 |



REB-ECOWATT

Regulador de velocidad de ventiladores con motor de corriente continua.

| Código | Modelo | Índice de protección | Aislamiento | Temperatura de utilización | Grupo producto | Precio €/u. |
|------------|-------------|----------------------|-------------|----------------------------|----------------|-------------|
| 5401304000 | REB-ECOWATT | IP44 | Clase II | -10°C a +50°C | E80 | 39,21 |



SHT-G / SC02-G / SC02-G 0/10V

Sensores para conducto que, en combinación con un elemento de control, permiten la optimización energética del sistema de ventilación

| Modelo | Lectura | | | Salida analógica |
|--------------|-----------------|-------------|----|------------------|
| | CO ₂ | Temperatura | HR | |
| SC02-G | • | | | • |
| SC02-G 0/10V | • | | | • |
| SHT-G | | • | • | • |

| Código | Modelo | Alimentación | Consumo (W) | Salida | Índice de protección | Rango CO ₂ | Rango HR | Dimensiones LxAxH (mm) | Grupo producto | Precio €/u. |
|------------|--------------|--------------|-------------|--------|--------------------------|-----------------------|----------|------------------------|----------------|-------------|
| 5416731000 | SC02-G | 24VDC-24VAC | 5 | 4-20mA | Caja IP65. Sonda IP20 | 0-2000 pm | - | 80x200x101 | E80 | 817,28 |
| 5401221100 | SC02-G 0/10V | | | 0-10V | | | - | | E80 | 817,28 |
| 5416731200 | SHT-G | | | 0-10V | | | 0-100% | | E80 | 660,12 |

AIRSENS



Sondas inteligentes disponibles en tres modelos diferentes: CO2, VOC y RH. Diseñadas para crear sistemas de demanda controlada de ventilación sin la necesidad de instalar un control intermedio. Estas sondas pueden conectarse a ventiladores AC, ECOWATT (EC) o variador de frecuencia VFTM. La versión WIFI permite, además, monitorización remota a través de la plataforma S&P Connectair®.

- Principales características:
- 4 modos de funcionamiento:
 - Salida relé
 - Salida 0-10V
 - Salida 2-10V
 - Control total mediante comunicación Modbus o plataforma S&P Connectair® (versión WIFI)
 - Consigna ajustable.
 - Indicador nivel calidad aire (difusor 3-LEDs).
 - Ajuste intensidad difusor 3-LEDs.

Versión estándar

| Código | Modelo | Alimentación | Consumo (W) | Relé | Salida analógica | Rango lectura | Índice de protección | Dimensiones LxAxH (mm) | Grupo producto | Precio €/u. |
|------------|-------------|------------------------|-------------|---------------|------------------|---|----------------------|------------------------|----------------|---------------|
| 5416845300 | AIRSENS CO2 | 100-240 VAC 50/60Hz | 0,7W | 3A 250 VAC | 0-10 V 2-10 V | 450-2000 ppm (tecnología NDIR) | IP30 | 122x23x89 | E80 | 427,07 |
| 5416845400 | AIRSENS VOC | | | | | 450-2000 ppm relativo equivalente a CO2 | | | | 207,00 |
| 5416845500 | AIRSENS RH | | | | | 45-100% | | | | 186,58 |

Versión RF

Comunicación por radiofrecuencia (868.3MHz) sin cables entre el emisor AIRSENS RF y el receptor REC.AIRSENS RF. Cada receptor puede recibir hasta 4 señales de forma simultánea permitiendo controlar la calidad de aire interior de diferentes estancias.

| Código | Modelo | Alimentación | Consumo (W) | Relé | Salida analógica | Rango lectura | Índice de protección | Dimensiones LxAxH (mm) | Grupo producto | Precio €/u. |
|------------|----------------|------------------------|-------------|---------------|------------------|--|----------------------|------------------------|----------------|---------------|
| 5416025200 | AIRSENS RF CO2 | 100-240 VAC 50/60Hz | 0,7W | 3A 250 VAC | 0-10 V 2-10 V | 450-2000 ppm (tecnología NDIR) | IP30 | 122x23x89 | E80 | 469,78 |
| 5416025300 | AIRSENS RF VOC | | | | | 450-2000 ppm relativo equivalente a CO2 | | | | 227,70 |
| 5416025400 | AIRSENS RF RH | | | | | 45-100% | | | | 205,25 |
| 5800015600 | REC.AIRSENS RF | | | | | Hasta 4 señales procedentes de unidades AIRSENS RF | | | | 132,78 |

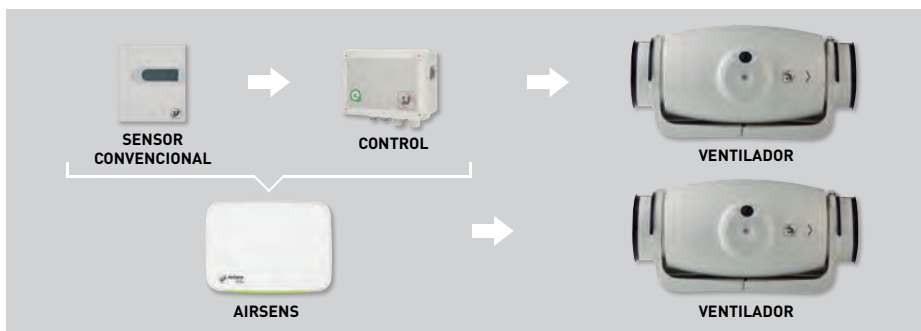
Versión WIFI

Monitorización CAI remota a través de comunicación WIFI (2,4GHz) y plataforma S&P Connectair®. Todos los modelos incorporan lectura de humedad relativa y temperatura. Control de unidad de ventilación mediante salida relé o analógica (0-10V/2-10V).

| Código | Modelo | Alimentación | Consumo (W) | Relé | Salida analógica | Lecturas | Rango lectura | Índice de protección | Dimensiones LxAxH (mm) | Grupo producto | Precio €/u. |
|------------|------------------|------------------------|-------------|---------------|------------------|----------|---|----------------------|------------------------|----------------|---------------|
| 5416058400 | AIRSENS WIFI CO2 | 100-240 VAC 50/60Hz | 0,7W | 3A 250 VAC | 0-10 V 2-10 V | CO2/RH/T | CO2: 450-2000ppm (tecnología NDIR) VOC: 450-2000 ppm (relativo equivalente a CO2, tecnología CMOS) RH: 45-100% T: 0-50°C | IP30 | 122x23x89 | E80 | 491,14 |
| 5416058300 | AIRSENS WIFI VOC | | | | | VOC/RH/T | | | | | 238,05 |
| 5416058200 | AIRSENS WIFI RH | | | | | RH/T | | | | | 214,59 |

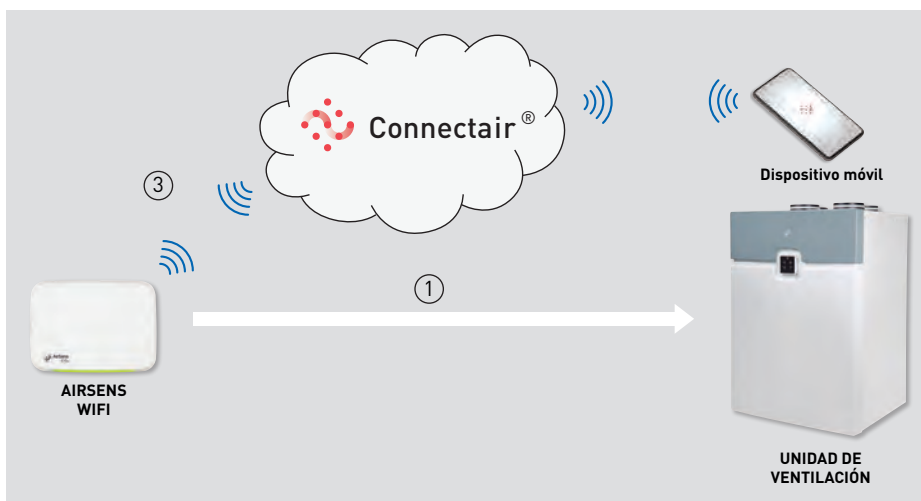
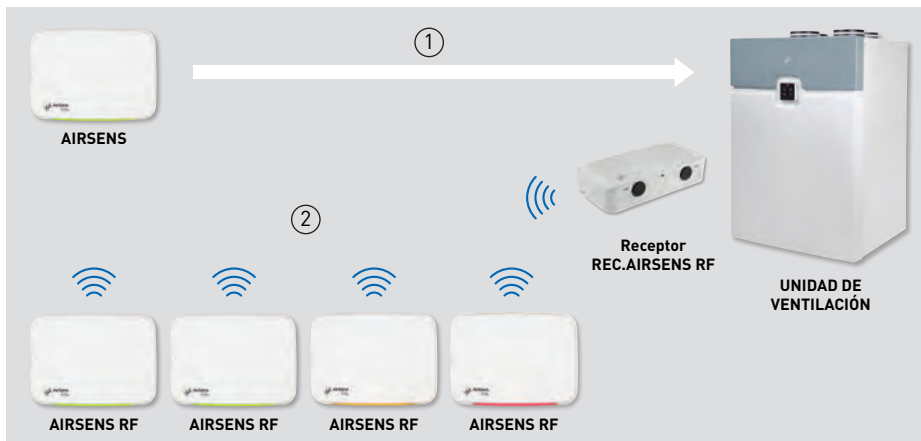
Todo en uno:

Reduce componentes, simplifica la instalación, aumenta el ahorro.



Comunicación con unidad de ventilación

- ① Versión estándar: cableado entre AIRSENS y ventilador.
- ② Versión RF: Sin cables entre AIRSENS RF y REC. AIRSENS RF. Cableado final entre receptor y ventilador.
- ③ Versión WIFI: Sin cables entre AIRSENS WIFI y dispositivo de monitorización móvil. Cableado entre sensor y unidad de ventilación.



Recomendaciones de uso

| Uso | COMERCIAL / TERCIARIO | | | | | | | RESIDENCIAL | | | |
|-------------|-----------------------|-------------------|----------|-------------|--------|----------|-------|-------------|---------------|------------|------|
| | Oficina | Sala de reuniones | Despacho | Restaurante | Tienda | Gimnasio | Aulas | Cocina | Sala de estar | Habitación | Baño |
| AIRSENS CO2 | ● | ● | ● | ● | ● | ● | ● | | ● | ● | |
| AIRSENS VOC | ● | ● | ● | ● | ● | | | ● | ● | ● | ● |
| AIRSENS RH | | | | | | ● | | ● | | | ● |

- Adecuado
- Muy adecuado

SC02 / SHT / SHT

Sensores para ambiente que, en combinación con un elemento de control, permiten la optimización energética del sistema de ventilación en la zona donde se instalan.



Modelos sin display



Modelos con display

| Modelo | Lectura | | | Salida analógica | Salida Relé ajustable | Display |
|--------------|-----------------|-------------|----|------------------|-----------------------|---------|
| | CO ₂ | Temperatura | HR | | | |
| SC02-AR | • | | | | • | |
| SC02-A | • | • | | • | | |
| SC02-AD | • | • | | • | | • |
| SC02-A 0/10V | • | • | | • | | |
| SHT-A | | • | • | • | | |
| SCHT-AD | • | • | • | • | | • |

| Código | Modelo | Alimentación | Consumo (W) | Salida | Altura instalación | Índice de protección | Rango CO ₂ | Rango temperatura | Rango HR | Dimensiones LxAxH (mm) | Grupo producto | Precio €/u. |
|------------|--------------|--------------|-------------|-------------|--------------------|----------------------|-----------------------|-------------------|----------|------------------------|----------------|-------------|
| 5416803800 | SC02-AR | 24VDC-24VAC | 5 | Relé (0,5A) | 1,5-3,5 m | IP20 | 0-2000 pm | -50°C | - | 85x26x100 | E80 | 565,79 |
| 5416730800 | SC02-A | | | 4-20mA | | | | | - | | E80 | 628,67 |
| 5416730900 | SC02-AD | | | 4-20mA | | | | | - | | E80 | 754,41 |
| 5401221000 | SC02-A 0/10V | | | 0-10V | | | | | - | | E80 | 628,67 |
| 5416803900 | SHT-A | | | 4-20mA | | | | | - | | E80 | 377,19 |
| 5416731100 | SCHT-AD | | | 0-10V | | | | | 0-100% | | E80 | 1.068,73 |



HIG-2

Higrostat.
Permite controlar un extractor en función de la H.R. (del 60 al 90%).
Con temporizador.

| Código | Modelo | Índice de protección | Aislamiento | Intensidad máxima (A) | Temperatura de utilización | Ajuste de humedad | Dimensiones (mm) | | | Grupo producto | Precio €/u. |
|------------|--------|----------------------|-------------|-----------------------|----------------------------|-------------------|------------------|----|----|----------------|-------------|
| | | | | | | | L | A | H | | |
| 5401221600 | HIG-2 | IP21 | Clase II | *6 (2)** | 0-40°C | 60-90% | 130 | 43 | 82 | E80 | 130,28 |

* Para cargas resistivas

** Para cargas inductivas



SQA

Sonda de calidad de aire que pone en marcha automáticamente el extractor cuando se detecta una concentración de humo, olor u otro gas molesto superior al valor seleccionado. Incorpora temporizador.

Atención: La sonda SQA no puede ser utilizada como detector de gases de combustión ni como alarma antiincendio.

| Código | Modelo | Índice de protección | Clase / Aislamiento | Intensidad máxima (A) | Temperatura de utilización | Temporización | Dimensiones (mm) | | | Grupo producto | Precio €/u. |
|------------|--------|----------------------|---------------------|-----------------------|----------------------------|---------------|------------------|----|----|----------------|-------------|
| | | | | | | | L | A | H | | |
| 5401220800 | SQA | IP21 | II (回) | 6 (2) | 0-50°C | 1-25 min. | 130 | 43 | 82 | E80 | 218,97 |



TDP

Transmisores de presión

Se utilizan para controlar la presión en sistemas DCV del tipo presión constante (COP). Permiten la lectura de la diferencia de presiones entre dos puntos y la transforman en una señal analógica apta para los diferentes equipos de control.

TDP-S

Transmisor de presión estándar.

TDP-D

Transmisor de presión con display.

TDP-PI

Transmisor de presión con display y control proporcional integral mediante punto de consigna. Señal de salida de control directa para ventiladores ECOWATT o variadores de frecuencia VFTM.

| Código | Modelo | Alimentación | Consumo máximo (VA) | Ø Conectores | Salida | Índice de protección | Rango de presión | Grupo producto | Precio €/u. |
|------------|--------|--------------|---------------------|--------------|------------------|----------------------|------------------|----------------|---------------|
| 5416731300 | TDP-S | 24VAC-24VDC | 4 | 6,2 | 0-10 V / 4-20 mA | IP54 | 0-2500 Pa | E80 | 396,04 |
| 5416731400 | TDP-D | | | | | | | E80 | 477,81 |
| 5416844700 | TDP-PI | | | | | | | E80 | 641,25 |

CPTA-S / CPTA-E

Detectores de presencia, sensibles a las radiaciones infrarrojas debidas al calor que emiten los cuerpos en movimiento, con un ángulo de detección de 360°. Incorpora una salida para activar un ventilador (libre potencial) y una para la iluminación (230V).

CPTA-S: modelo de superficie.

CPTA-E: modelo empotrable.



CPTA-S



CPTA-E

| Código | Modelo | Alimentación | Consumo (W) | Salida iluminación | Reglaje iluminación | Salida ventilación | Reglaje ventilación | Altura instalación | Índice de protección | Condiciones funcionamiento | Grupo producto | Precio €/u. |
|------------|--------|--------------|-------------|--|--|---|---------------------------|--------------------|---------------------------------|--|----------------|---------------|
| 5416997000 | CPTA-S | 230V-50/60Hz | 0,5 | Relé 230V normalmente abierto, poder corte 10A | Luminosidad 10 - 2000lux Temporización 5s - 20min | Contacto libre tensión normalmente abierto. | Temporización 10s - 60min | 2,5 - 3,5m | IP44 | 0 a 45°C máx. 90% HR sin condensación | E80 | 295,21 |
| 5416997100 | CPTA-E | 230V-50/60Hz | 0,5 | | | Hasta 250V AC o 30V CC. 5A (carga resistiva) o 1A (carga inductiva). Independiente a salida iluminación | | | IP44 (Caja de conexiones, IP20) | | | |



REMP

Compuertas motorizadas proporcionales.

Compuertas motorizadas circulares con cuerpo de acero galvanizado y motorización controlada por sonda de CO₂. El servomotor funciona proporcionalmente a la señal 0-10V enviado por la sonda. Intercalando el modulo BEAS se pueden ajustar las posiciones mínima y máxima de apertura. Se utilizan en los sistemas de ventilación multizona tipo proporcional.

Alimentación: 24V-50/60Hz o 24VDC.

Consumo: 1 (posic. marcha) y 0,4 (posic. paro).

Entrada: 0-10V proporcional.

Tiempo de respuesta: max. 150s al abrir o cerrar.

Índice de protección: IP54.

Temperatura de utilización: -10°C a +50°C max.

95% HR sin condensación.

| Código | Modelo | Ø (mm) | Grupo producto | Precio €/u. |
|----------------|----------|--------|----------------|---------------|
| (N) 5416063800 | REMP-125 | 125 | E80 | 671,74 |
| 5416729900 | REMP-160 | 160 | E80 | 671,74 |
| 5416730000 | REMP-200 | 200 | E80 | 693,72 |
| 5416730100 | REMP-250 | 250 | E80 | 721,14 |
| 5416730200 | REMP-315 | 315 | E80 | 776,06 |
| 5416730300 | REMP-355 | 355 | E80 | 801,68 |
| 5416730400 | REMP-400 | 400 | E80 | 860,26 |
| 5416730500 | REMP-450 | 450 | E80 | 924,28 |

(N) NOVEDAD

Sistemas de control para la ventilación de aparcamientos

CAR PARK CONTROL PANEL

Aplicaciones

Los sistemas de ventilación jet fan para aparcamientos requieren un sistema de control para operar la extracción, el aporte de aire y los mismos jet fans ya sea mediante activación manual o automática dependiendo de las señales recibidas de los sistemas de detección de polución/humo. S&P ha desarrollado un panel de control hecho a medida para cada proyecto, con PLC pre programado y de fácil uso mediante pantalla táctil. De esta forma se permite la activación del sistema tanto para escenarios de ventilación diaria de polución como de caso de incendio y por lo tanto extracción de humo.

Características principales

Adaptado: diferentes requisitos pueden ser necesarios dependiendo del país, por lo tanto la activación puede ser manual, automática por detección o una combinación de ambas.

Eficiente: un control inteligente ajustado a las necesidades del proyecto, capaz de operar el sistema con una zonificación definida de acuerdo a una estrategia de ventilación específica, para reducir el consumo energético del sistema y proporcionando un funcionamiento mejorado.

Plug & play: instalación simplificada con terminales identificados para cada motor.

Inteligente: programación específica según las recomendaciones proporcionadas por nuestro equipo de CFD. Incluye una guía de mantenimiento a hacer e identificación de posibles fallos mediante alarmas en pantalla.

Modos de operación

- Automático: activación por detección.
- Manual: activación por zonas de ventilación.
- Mantenimiento: gestión de motores y detectores, activación horaria.
- Servicio técnico: parámetros de seguridad.

Descripción

- Control personalizado y adaptado a cada proyecto para sistemas de ventilación de aparcamientos.
- Protección eléctrica y control por PLC para todos los componentes del sistema de ventilación.
- Conexión trifásica 400V 50/60Hz.
- Disponible para conexión TT o TN.
- Armario metálico, IP55. Las dimensiones dependen del número de motores en el sistema.
- Interruptor general.
- Compatible con motores de una y dos velocidades (Dahlander o de bobinados independientes).
- Pantalla táctil con interfaz intuitiva.
- Comunicación con los sistemas de detección (polución y fuego) para operación automática.
- Paro de emergencia para bomberos incluido.
- Guía con terminales etiquetados y numerados para cada motor.
- Planos del aparcamiento con localización y estado de los ventiladores.
- Armario adicional (2100x400x400mm) para potencias por encima de 110kW.
- Esquemas eléctricos con certificación CE.
- Interfaz disponible en español, inglés o francés.
- Alarmas para mantenimiento de los ventiladores.

Bajo pedido

- Motores equipados con Variador de Frecuencia. *Nótese que filtros DV/Dt podrían ser necesarios dependiendo de la longitud del cable requerido para conectar el variador con el motor.*
- Acceso remoto para asistencia técnica y actualización de software.
- *Screen Mirroring.* Permite el uso del cuadro de control desde dispositivos móviles.
- Conectividad con Building Monitoring Systems (BMS).
- Coordinación con otro equipamiento de los sistemas del aparcamiento como compuertas automáticas, cortinas de humo, etc.

**Aplicaciones específicas**

Parkings

Tamaños y Precios, a consultar, según proyecto.



PILOT PARC

Aplicaciones

Control de los ventiladores de extracción y aportación para sistemas de ventilación de aparcamientos. Completamente compatible con los sistemas de detección de polución y de incendio. Capaz de funcionar por modo horario mediante reloj interno (opcional). Funciona a velocidad alta y velocidad baja (HS/LS) para la ventilación de la polución y a velocidad alta para el modo de extracción de humo en caso de emergencia por incendio. Control de motores trifásicos a 400V de dos velocidades (Dahlander o Bobinados Independientes) – Para motores de una sola velocidad se ruega nos consulten.

5 tamaños de caja.

8 calibres: 9/18/25/32/50/65/80 y 95A por motor.

Control para un motor de dos velocidades desde 9 a 95A. Control para dos motores de dos velocidades desde 9 a 25A.

2 versiones:

- Unidad "Master" para gestionar los modos de confort y emergencia por incendio de los ventiladores de extracción, o aportación, con temporizador. Comunicación Modbus.

Versión comunicante con CMSI disponible.

- Unidad "Esclavo", controlada por una unidad "Master" (controla ventiladores de extracción o aportación).

Conexión de red trifásica 400V-50/60Hz más tierra.

Descripción

Cerramiento sellado IP55, color RAL 7035.

Suministrado con prensaestopas. Interruptor de corte incluido en el panel frontal (puede ser enclavado en 3 puntos). Protección magnética integrada:

- Versión para 1 motor de 32 a 95A.
- Versión para 2 motores de 9 a 25A.

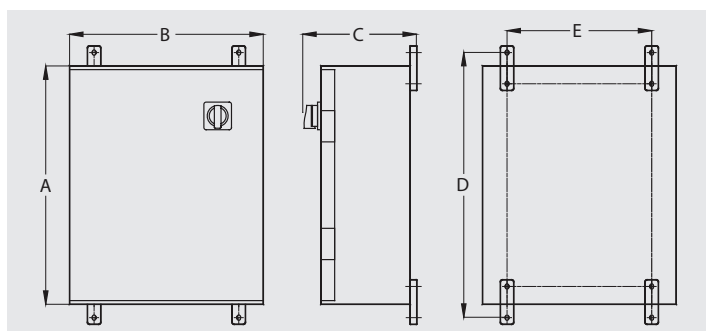
Protección térmica integrada (únicamente conectada en modo confort). Tiene en cuenta el orden de prioridades durante su funcionamiento: LS/HS confort, extracción en caso de incendio, interruptor bomberos.

Entrada en modo de ventilación de la polución para conectar tanto selector externo de dos velocidades como un sistema de detección de polución.

Entrada en modo de emergencia por incendio para conectar el sistema de detección de incendios específico.

Versión Master:

- Control de aparatos y visualización del estado de funcionamiento en el panel frontal.
- Muy baja tensión (24V) para la alimentación de los pilotos de comando del panel frontal.



| Modelo | A | B | C | D | E |
|-----------------------|-----|-----|-----|-----|-----|
| Tipo-tamaño de caja 1 | 362 | 254 | 200 | 371 | 239 |
| Tipo-tamaño de caja 2 | 570 | 380 | 175 | 600 | 355 |
| Tipo-tamaño de caja 3 | 600 | 300 | 235 | 550 | 216 |
| Tipo-tamaño de caja 4 | 600 | 500 | 300 | 640 | 456 |
| Tipo-tamaño de caja 5 | 700 | 500 | 300 | 740 | 456 |

Tabla de modelos PILOT PARC

Modelos con motor de conexión Dahlander

| Intensidad (A) | Master con programador horario para 1 motor de conexión Dahlander | | | | | Esclavo para 1 motor de conexión Dahlander | | | | |
|----------------|---|----------------------|---------------------|----------------|-----------------|--|---------------------|---------------------|----------------|-----------------|
| | Código | Modelo | Tipo tamaño de caja | Grupo producto | Precio €/u. | Código | Modelo | Tipo tamaño de caja | Grupo producto | Precio €/u. |
| 9 | 5416800100 | PILOT PARC MH1DA 9A | 2 | E80 | 3.161,25 | 5416777400 | PILOT PARC E1DA 9A | 1 | E80 | 1.193,36 |
| 18 | 5416804300 | PILOT PARC MH1DA 18A | 2 | E80 | 3.222,17 | 5416777500 | PILOT PARC E1DA 18A | 1 | E80 | 1.218,81 |
| 25 | 5416991600 | PILOT PARC MH1DA 25A | 2 | E80 | 3.389,78 | 5416992200 | PILOT PARC E1DA 25A | 1 | E80 | 1.386,41 |
| 32 | 5416993300 | PILOT PARC MH1DA 32A | 3 | E80 | 4.578,12 | 5416805800 | PILOT PARC E1DA 32A | 3 | E80 | 2.666,16 |
| 50 | 5416790200 | PILOT PARC MH1DA 50A | 3 | E80 | 4.890,44 | 5416800000 | PILOT PARC E1DA 50A | 3 | E80 | 2.978,43 |
| 65 | 5416804700 | PILOT PARC MH1DA 65A | 3 | E80 | 5.332,23 | 5416804600 | PILOT PARC E1DA 65A | 3 | E80 | 3.420,25 |
| 80 | 5416991800 | PILOT PARC MH1DA 80A | 3 | E80 | 5.812,14 | 5416992300 | PILOT PARC E1DA 80A | 3 | E80 | 3.900,16 |
| 95 | 5416804900 | PILOT PARC MH1DA 95A | 5 | E80 | 9.271,60 | 5416806000 | PILOT PARC E1DA 95A | 4 | E80 | 6.094,00 |

| Intensidad (A) | Master con programador horario para 2 motores de conexión Dahlander | | | | |
|----------------|---|----------------------|---------------------|----------------|-----------------|
| | Código | Modelo | Tipo tamaño de caja | Grupo producto | Precio €/u. |
| 9 | 5416790100 | PILOT PARC MH2DA 9A | 2 | E80 | 3.824,01 |
| 18 | 5416789900 | PILOT PARC MH2DA 18A | 2 | E80 | 4.387,68 |
| 25 | 5416992000 | PILOT PARC MH2DA 25A | 2 | E80 | 4.555,27 |

Modelos con motor de bobinados independientes

| Intensidad (A) | Master con programador horario para 1 motor de bobinados independientes | | | | | Esclavo para 1 motor de bobinados independientes | | | | |
|----------------|---|----------------------|---------------------|----------------|-----------------|--|---------------------|---------------------|----------------|-----------------|
| | Código | Modelo | Tipo tamaño de caja | Grupo producto | Precio €/u. | Código | Modelo | Tipo tamaño de caja | Grupo producto | Precio €/u. |
| 9 | 5416806300 | PILOT PARC MH1BI 9A | 2 | E80 | 3.047,01 | 5416807900 | PILOT PARC E1BI 9A | 1 | E80 | 1.082,11 |
| 18 | 5416806400 | PILOT PARC MH1BI 18A | 2 | E80 | 3.107,93 | 5416808000 | PILOT PARC E1BI 18A | 1 | E80 | 1.141,43 |
| 25 | 5416992400 | PILOT PARC MH1BI 25A | 2 | E80 | 3.283,13 | 5416993000 | PILOT PARC E1BI 25A | 1 | E80 | 1.279,74 |
| 32 | 5416806600 | PILOT PARC MH1BI 32A | 3 | E80 | 4.411,93 | 5416808200 | PILOT PARC E1BI 32A | 3 | E80 | 2.513,76 |
| 50 | 5416806700 | PILOT PARC MH1BI 50A | 3 | E80 | 4.672,04 | 5416808300 | PILOT PARC E1BI 50A | 3 | E80 | 2.780,39 |
| 65 | 5416806800 | PILOT PARC MH1BI 65A | 3 | E80 | 5.065,89 | 5416808400 | PILOT PARC E1BI 65A | 3 | E80 | 3.184,10 |
| 80 | 5416992600 | PILOT PARC MH1BI 80A | 3 | E80 | 5.467,22 | 5416993100 | PILOT PARC E1BI 80A | 3 | E80 | 3.595,47 |
| 95 | 5416807000 | PILOT PARC MH1BI 95A | 5 | E80 | 8.952,38 | 5416808600 | PILOT PARC E1BI 95A | 4 | E80 | 5.694,99 |

| Intensidad (A) | Master con programador horario para 2 motores de bobinados independientes | | | | |
|----------------|---|----------------------|---------------------|----------------|-----------------|
| | Código | Modelo | Tipo tamaño de caja | Grupo producto | Precio €/u. |
| 9 | 5416808800 | PILOT PARC MH2BI 9A | 2 | E80 | 3.595,47 |
| 18 | 5416808900 | PILOT PARC MH2BI 18A | 2 | E80 | 4.159,15 |
| 25 | 5416992800 | PILOT PARC MH2BI 25A | 2 | E80 | 4.342,00 |

Modelos con conectividad CMSI, con motor de conexión Dahlander

| Intensidad (A) | Master con programador horario para 1 motor de conexión Dahlander - CMSI | | | | | Master con programador horario para 2 motores de conexión Dahlander - CMSI | | | | |
|----------------|--|----------------------------|---------------------|----------------|-----------------|--|----------------------------|---------------------|----------------|-----------------|
| | Código | Modelo | Tipo tamaño de caja | Grupo producto | Precio €/u. | Código | Modelo | Tipo tamaño de caja | Grupo producto | Precio €/u. |
| 9 | 5416845100 | PILOT PARC MH1 DA 9A CMSI | 1 | E80 | 3.637,23 | 5416988300 | PILOT PARC MH2 DA 9A CMSI | 1 | E80 | 4.303,22 |
| 18 | 5416993200 | PILOT PARC MH1 DA 18A CMSI | 1 | E80 | 3.698,89 | 5416844900 | PILOT PARC MH2 DA 18A CMSI | 1 | E80 | 4.868,60 |
| 25 | 5416991700 | PILOT PARC MH1 DA 25A CMSI | 1 | E80 | 3.856,09 | 5416992100 | PILOT PARC MH2 DA 25A CMSI | 1 | E80 | 5.021,61 |
| 32 | 5416988400 | PILOT PARC MH1 DA 32A CMSI | 3 | E80 | 5.051,02 | | | | | |
| 50 | 5416988200 | PILOT PARC MH1 DA 50A CMSI | 3 | E80 | 5.364,18 | | | | | |
| 65 | 5416993400 | PILOT PARC MH1 DA 65A CMSI | 3 | E80 | 5.800,16 | | | | | |
| 80 | 5416991900 | PILOT PARC MH1 DA 80A CMSI | 3 | E80 | 6.280,96 | | | | | |
| 95 | 5416993600 | PILOT PARC MH1 DA 95A CMSI | 4 | E80 | 9.726,33 | | | | | |

Modelos con conectividad CMSI con motor de bobinados independientes

| Intensidad (A) | Master con programador horario para 1 motor de bobinados independientes - CMSI | | | | | Master con programador horario para 1 motor de bobinados independientes - CMSI | | | | |
|----------------|--|---------------------------|---------------------|----------------|-----------------|--|---------------------------|---------------------|----------------|-----------------|
| | Código | Modelo | Tipo tamaño de caja | Grupo producto | Precio €/u. | Código | Modelo | Tipo tamaño de caja | Grupo producto | Precio €/u. |
| 9 | 5416993700 | PILOT PARC MH1BI 9A CMSI | 2 | E80 | 3.522,84 | 5416994400 | PILOT PARC MH2BI 9A CMSI | 2 | E80 | 4.073,82 |
| 18 | 5416993800 | PILOT PARC MH1BI 18A CMSI | 2 | E80 | 3.584,07 | 5416994500 | PILOT PARC MH2BI 18A CMSI | 2 | E80 | 4.639,42 |
| 25 | 5416992500 | PILOT PARC MH1BI 25A CMSI | 2 | E80 | 3.754,34 | 5416992900 | PILOT PARC MH2BI 25A CMSI | 2 | E80 | 4.815,83 |
| 32 | 5416946900 | PILOT PARC MH1BI 32A CMSI | 3 | E80 | 4.882,93 | | | | | |
| 50 | 5416994000 | PILOT PARC MH1BI 50A CMSI | 3 | E80 | 5.143,21 | | | | | |
| 65 | 5416994100 | PILOT PARC MH1BI 65A CMSI | 3 | E80 | 5.530,57 | | | | | |
| 80 | 5416992700 | PILOT PARC MH1BI 80A CMSI | 3 | E80 | 5.932,08 | | | | | |
| 95 | 5416994300 | PILOT PARC MH1BI 95A CMSI | 5 | E80 | 9.407,06 | | | | | |



PARKING DETECTION PANEL

Sistema zonal de detección simultánea de CO y NO₂ en el mismo lazo, pudiendo controlar hasta 16 detectores con posibilidad de programar hasta 2 grupos, permitiendo así efectuar maniobras individuales en el caso de gases diferentes o sectorizar las maniobras si son del mismo gas.

Cada detector es monitorizado individualmente, mostrando su estado en tiempo real en el display.

Ampliable de una a cuatro zonas totalmente independientes.

Incorpora las normativas española y portuguesa.

Programación en español, portugués e inglés.

| Código | Modelo | Grupo producto | Precio €/u. |
|------------|--------------------------------|----------------|-----------------|
| 5416804200 | PARKING DETECTION PANEL 1 ZONE | E80 | 785,44 |
| 5416790900 | PARKING DETECTION PANEL 2 ZONE | E80 | 1.063,58 |
| 5416790500 | PARKING DETECTION PANEL 3 ZONE | E80 | 1.342,05 |
| 5416790400 | PARKING DETECTION PANEL 4 ZONE | E80 | 1.619,95 |



DETECTOR CO / NO2

Detectores de CO o NO₂, con sonda electroquímica, sin electrolito.

Baja sensibilidad frente a gases interferentes.

| Código | Modelo | Grupo producto | Precio €/u. |
|------------|--------------|----------------|---------------|
| 5416809800 | DETECTOR CO | E80 | 180,43 |
| 5416996200 | DETECTOR NO2 | E80 | 488,23 |

Modelos de accesorio para la aspiración según ventilador

| Serie Ventilador | | | | | | | | | | | Modelo accesorio aspiración |
|------------------|------|------|------|------|----------|------|----------|----------|---------|---------------------|-----------------------------|
| FA - K* | FC | KA | FE | KB | FG - VCM | FI | ART - KC | MEC - KM | FP - FQ | FR - FS - DFR - DFM | |
| 311 ÷ 631 | | | | | | | | | | | 50 |
| 711 ÷ 801 | | | | | | | | | | | 63 |
| 901 | | | | | | | | | | | 80 |
| | | | | | | | | | | | 100 |
| | | | | | | | | | | | 112 |
| | 451 | 401 | | | | | | 221 | | | 125 |
| 311 ÷ 631 | 501 | 451 | 401 | | | | | | | | 140 |
| 711 ÷ 801 | 561 | 501 | 451 | | | | | | | | 160 |
| 901 | 631 | 561 | 501 | 401 | 351 | | | 251 | | 181 | 180 |
| | 711 | 631 | 561 | 451 | 401 | | | 281 | 251 | 201 | 200 |
| | 801 | 711 | 631 | 501 | 451 | 401 | | 311 | 281 | 221 | 224 |
| | 901 | 801 | 711 | 561 | 501 | 451 | 401 | 351 | 311 | 251 | 250 |
| | 1001 | 901 | 801 | 631 | 561 | 501 | 451 | 401 | 351 | 281 | 280 |
| | 1121 | 1001 | 901 | 711 | 631 | 561 | 501 | 451 | 401 | 311 | 315 |
| | | 1121 | 1001 | 801 | 711 | 631 | 561 | 501 | 451 | 351 | 355 |
| | | 1251 | 1121 | 901 | 801 | 711 | 631 | 561 | 501 | 401 | 400 |
| | | | 1251 | 1001 | 901 | 801 | 711 | 631 | 561 | 451 | 450 |
| | | | 1401 | 1121 | 1001 | 901 | 801 | 711 | 631 | 501 | 500 |
| | | | | 1251 | 1121 | 1001 | 901 | 801 | 711 | 561 | 560 |
| | | | | 1401 | 1251 | 1121 | 1001 | 901 | 801 | 631 | 630 |
| | | | | | 1401 | 1251 | 1121 | 1001 | 901 | 711 | 710 |
| | | | | | 1601 | 1401 | 1251 | 1121 | 1001 | 801 | 800 |
| | | | | | 1801 | 1601 | 1401 | 1251 | 1121 | 901 | 900 |
| | | | | | 2001 | 1801 | 1601 | 1401 | 1251 | 1001 | 1000 |
| | | | | | | 2001 | 1801 | 1601 | 1401 | 1121 | 1120 |
| | | | | | | | 2001 | 1801 | 1601 | 1251 | 1250 |
| | | | | | | | | 2001 | 1801 | 1401 | 1400 |
| | | | | | | | | | 2001 | 1601 | 1600 |
| | | | | | | | | | | 1801 | 1800 |
| | | | | | | | | | | 2001 | 2000 |

* Para ambas series los accesorios de aspiración y los de descarga son circulares, por lo que se debe utilizar sólo esta tabla

Modelos de accesorio para la descarga según ventilador

| Serie Ventilador | | | | | | | | | Modelo accesorio descarga |
|------------------|------|------|---------------|------|----------|--------------------|---------------|------|------------------------------|
| FC | KA | FE | FG - VCM - KB | FI | ART - KC | FP - MEC - KM - FQ | FR - FS - DFM | DFR | |
| | | | | | | | | | 80x56 |
| 451 | 401 | | | | | | | | 90x63 |
| 501 | 451 | 401 | | | | | | | 100x71 |
| 561 | 501 | 451 | | | | | | | 112x80 |
| 631 | 561 | 501 | | | | | | | 125x90 |
| 711 | 631 | 561 | 351 | | | 221 | | | 140x100 |
| 801 | 711 | 631 | 401 | | | | | | 160x112 |
| 901 | 801 | 711 | 451 | | | | 181 | | 180x125 |
| 1001 | 901 | 801 | 501 | 401 | | 251 | 201 | | 200x140 |
| 1121 | 1001 | 901 | 561 | 451 | | 281 | 221 | | 224x160 |
| | 1121 | 1001 | 631 | 501 | 401 | 311 | 251 | | 250x180 |
| | 1251 | 1121 | 711 | 561 | 451 | 351 | 281 | | 280x200 |
| | | 1251 | 801 | 631 | 501 | 401 | 311 | | 315x224 |
| | | 1401 | 901 | 711 | 561 | 451 | 351 | | 355x250 |
| | | | 1001 | 801 | 631 | 501 | 401 | | 400x280 |
| | | | 1121 | 901 | 711 | 561 | 451 | | 450x315 |
| | | | 1251 | 1001 | 801 | 631 | 501 | | 500x355 |
| | | | 1401 | 1121 | 901 | 711 | 561 | 401 | 560x400 |
| | | | 1601 | 1251 | 1001 | 801 | 631 | 451 | 630x450 |
| | | | 1801 | 1401 | 1121 | 901 | 711 | 501 | 710x500 |
| | | | 2001 | 1601 | 1251 | 1001 | 801 | 561 | 800x560 |
| | | | | 1801 | 1401 | 1121 | 901 | 631 | 900x630 |
| | | | | 2001 | 1601 | 1251 | 1001 | 711 | 1000x710 |
| | | | | | 1801 | 1401 | 1121 | 801 | 1120x800 |
| | | | | | 2001 | 1601 | 1251 | 901 | 1250x900 |
| | | | | | | 1801 | 1401 | 1001 | 1400x1000 |
| | | | | | | 2001 | 1601 | 1121 | 1600x1120 |
| | | | | | | | 1801 | 1251 | 1800x1250 |
| | | | | | | | 2001 | 1401 | 2000x1400 |
| | | | | | | | | 1601 | 2240x1600 |
| | | | | | | | | 1801 | 2500x1800 |
| | | | | | | | | 2001 | 2800x2000 |



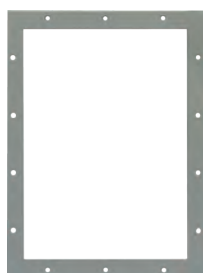
CA (CFH1) CFH2 CFH3

CONTRABRIDA ACOPLAMIENTO ASPIRACIÓN

Contrabrida disponible en 3 versiones (ver tabla).

H1: Brida plana
H2: Brida plana con cuello
H3: Brida doble

| Modelo | Grupo producto | Precio H1 €/u. | Precio H2 €/u. | Precio H3 €/u. |
|---------|----------------|-------------------|-------------------|-------------------|
| CA 250 | E01 | 73,40 | 80,76 | 91,75 |
| CA 280 | E01 | 78,83 | 86,74 | 98,55 |
| CA 315 | E01 | 92,43 | 101,68 | 115,55 |
| CA 355 | E01 | 100,60 | 110,67 | 125,73 |
| CA 400 | E01 | 111,48 | 122,62 | 139,33 |
| CA 450 | E01 | 116,90 | 128,61 | 146,13 |
| CA 500 | E01 | 127,78 | 140,56 | 159,73 |
| CA 560 | E01 | 146,81 | 161,49 | 183,50 |
| CA 630 | E01 | 179,44 | 197,38 | 224,29 |
| CA 710 | E01 | 222,92 | 245,21 | 278,66 |
| CA 800 | E01 | 252,85 | 278,13 | 316,03 |
| CA 900 | E01 | 277,30 | 305,04 | 346,62 |
| CA 1000 | E01 | 307,21 | 337,93 | 384,01 |
| CA 1120 | E01 | 367,01 | 403,71 | 458,77 |
| CA 1250 | E01 | 440,39 | 484,46 | 550,51 |
| CA 1400 | E01 | 513,82 | 565,19 | 642,26 |
| CA 1600 | E01 | 587,23 | 645,94 | 734,02 |
| CA 1800 | E01 | 685,08 | 753,59 | 856,36 |
| CA 2000 | E01 | 856,36 | 941,98 | 1.070,44 |

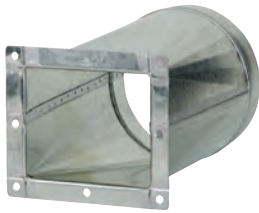


CP

BRIDA PLANA RECTANGULAR

| Modelo | Grupo producto | Precio €/u. |
|------------|----------------|-------------|
| CP 90x63 | E01 | 32,62 |
| CP 100x71 | E01 | 35,35 |
| CP 112x80 | E01 | 38,06 |
| CP 125x90 | E01 | 40,79 |
| CP 140x100 | E01 | 40,79 |
| CP 160x112 | E01 | 48,95 |
| CP 180x125 | E01 | 51,65 |
| CP 200x140 | E01 | 51,65 |
| CP 224x160 | E01 | 54,38 |
| CP 250x180 | E01 | 51,65 |
| CP 280x200 | E01 | 54,38 |
| CP 315x224 | E01 | 62,54 |
| CP 355x250 | E01 | 67,97 |
| CP 400x280 | E01 | 92,43 |
| CP 450x315 | E01 | 111,48 |
| CP 500x355 | E01 | 125,06 |

| Modelo | Grupo producto | Precio €/u. |
|--------------|----------------|-------------|
| CP 560x400 | E01 | 135,93 |
| CP 630x450 | E01 | 165,83 |
| CP 710x500 | E01 | 182,15 |
| CP 800x560 | E01 | 222,92 |
| CP 900x630 | E01 | 266,42 |
| CP 1000x710 | E01 | 315,35 |
| CP 1120x800 | E01 | 369,74 |
| CP 1250x900 | E01 | 454,00 |
| CP 1400x1000 | E01 | 489,34 |
| CP 1600x1120 | E01 | 538,28 |
| CP 1800x1250 | E01 | 608,96 |
| CP 2000x1400 | E01 | 734,02 |
| CP 2240x1600 | E01 | 856,36 |
| CP 2500x1800 | E01 | 975,96 |
| CP 2800x2000 | E01 | 1.217,93 |



KRBI

BRIDA ACOPLAMIENTO RECTANGULAR

| Modelo | Grupo producto | Precio €/u. | Modelo | Grupo producto | Precio €/u. |
|--------------|----------------|-------------|------------------|----------------|-------------|
| KRBI-90X63 | E01 | 146,51 | KRBI-450X315 | E01 | 302,99 |
| KRBI-100X71 | E01 | 146,51 | KRBI-500X355 | E01 | 325,10 |
| KRBI-112X80 | E01 | 155,55 | KRBI-560X400 | E01 | 339,79 |
| KRBI-125X90 | E01 | 155,55 | KRBI-630X450 | E01 | 400,98 |
| KRBI-140X100 | E01 | 155,55 | KRBI-710X500 | E01 | 405,39 |
| KRBI-160X112 | E01 | 165,07 | KRBI-800X560 | E01 | 462,64 |
| KRBI-180X125 | E01 | 174,39 | KRBI-900X630 | E01 | 552,33 |
| KRBI-200X140 | E01 | 195,94 | KRBI-F-1000x710 | E01 | 1.418,60 |
| KRBI-224X160 | E01 | 224,08 | KRBI-F-1120x800 | E01 | 1.773,23 |
| KRBI-250X180 | E01 | 242,54 | KRBI-F-1250x900 | E01 | 2.068,77 |
| KRBI-280X200 | E01 | 242,54 | KRBI-F-1400x1000 | E01 | 2.275,64 |
| KRBI-315X224 | E01 | 248,08 | KRBI-F-1600x1120 | E01 | 2.718,94 |
| KRBI-355X250 | E01 | 255,34 | KRBI-F-1800x1250 | E01 | 3.310,02 |
| KRBI-400X280 | E01 | 288,03 | KRBI-F-2000x1400 | E01 | 3.989,77 |



DP

REGULADOR DE CAUDAL DE ASPIRACIÓN

Se utiliza para regular el caudal del ventilador manteniendo un elevado rendimiento.

- Temperatura ambiental máxima: 40°C
- Utilizado para aire limpio o con poco polvo (máximo 2 g/m³)

Condiciones y límites de uso:

- Para ventiladores de simple etapa
- Regula tanto el caudal como la presión del ventilador sobre el que se instala
- Temperatura máxima de trabajo: 300°C (para temperaturas superiores, consultar construcción especial)

| Modelo | Grupo producto | Precio €/u. | Precio Control Manual MM ⁽¹⁾ €/u. | Precio Control Eléctrico ON/FF ⁽¹⁾ €/u. | Precio Control Pneumatico ON/FF ⁽¹⁾ €/u. | Precio Control Eléctrico PROPORCIONAL ⁽¹⁾ €/u. | Precio Control Pneumatico PROPORCIONAL ⁽¹⁾ €/u. |
|---------|----------------|-------------|--|--|---|---|--|
| DP 315 | E01 | 3.061,11 | 157,70 | 5.023,90 | 2.163,98 | 5.295,77 | 4.436,70 |
| DP 355 | E01 | 3.145,39 | 157,70 | 5.023,90 | 2.163,98 | 5.295,77 | 4.436,70 |
| DP 400 | E01 | 3.248,69 | 157,70 | 5.023,90 | 2.163,98 | 5.295,77 | 4.436,70 |
| DP 450 | E01 | 3.419,96 | 157,70 | 5.023,90 | 2.163,98 | 5.295,77 | 4.436,70 |
| DP 500 | E01 | 3.773,36 | 182,15 | 5.023,90 | 2.163,98 | 5.295,77 | 4.436,70 |
| DP 560 | E01 | 4.113,18 | 182,15 | 6.456,60 | 2.468,47 | 5.295,77 | 4.436,70 |
| DP 630 | E01 | 4.327,95 | 217,49 | 6.456,60 | 2.468,47 | 5.295,77 | 4.436,70 |
| DP 710 | E01 | 4.852,65 | 217,49 | 6.456,60 | 2.468,47 | 5.295,77 | 4.436,70 |
| DP 800 | E01 | 5.173,43 | 263,70 | 6.456,60 | 2.468,47 | 5.295,77 | 4.436,70 |
| DP 900 | E01 | 5.486,07 | 263,70 | 6.456,60 | 2.468,47 | 5.295,77 | 4.436,70 |
| DP 1000 | E01 | 6.035,21 | 326,23 | 6.456,60 | 2.468,47 | 5.295,77 | 4.436,70 |
| DP 1120 | E01 | 6.437,57 | 326,23 | 7.891,99 | 2.911,59 | 5.295,77 | 4.436,70 |
| DP 1250 | E01 | 6.752,92 | 394,18 | 7.891,99 | 2.911,59 | 5.295,77 | 4.436,70 |
| DP 1400 | E01 | 7.283,02 | 394,18 | 7.891,99 | 2.911,59 | 5.295,77 | 4.436,70 |
| DP 1600 | E01 | 9.395,35 | 500,22 | 7.891,99 | 2.911,59 | 5.295,77 | 4.436,70 |
| DP 1800 | E01 | 9.814,00 | 608,96 | 7.891,99 | 2.911,59 | 5.295,77 | 4.436,70 |
| DP 2000 | E01 | 10.553,47 | 761,21 | 7.891,99 | 2.911,59 | 5.295,77 | 4.436,70 |

¹ Los precios de los controles son a añadir al precio del accesorio



SA/SAP

COMPUERTA DE REGULACIÓN DE CAUDAL DE DESCARGA

Se utiliza para reducir el caudal del ventilador de acuerdo con los requisitos del sistema.

Condiciones y límites de uso:

- El montaje en otro punto del sistema implica que la sección del conducto debe ser igual a la de la descarga del ventilador instalado
- Para ventiladores de simple etapa
- Regula tanto el caudal como la presión del ventilador sobre el que se instala
- Temperatura máxima/mínima de trabajo: 300°C/-20°C (para temperaturas superiores o inferiores, consultar construcción especial)
- Temperatura ambiental máxima: 40°C
- Utilizado para aire limpio o con poco polvo (máximo 2 g/m³)

| Modelo | Grupo producto | Precio €/u. | Precio Control Manual MM ⁽¹⁾ €/u. | Precio Control Eléctrico ON/FF ⁽¹⁾ €/u. | Precio Control Pneumatico ON/FF ⁽¹⁾ €/u. | Precio Control Eléctrico PROPORCIONAL ⁽¹⁾ €/u. | Precio Control Pneumatico PROPORCIONAL ⁽¹⁾ €/u. |
|--------------|----------------|-------------|--|--|---|---|--|
| SAP 112x80 | E01 | 386,04 | 157,70 | - | - | 5.295,77 | 4.436,70 |
| SAP 125x90 | E01 | 394,18 | 157,70 | - | - | 5.295,77 | 4.436,70 |
| SAP 140x100 | E01 | 402,35 | 157,70 | - | - | 5.295,77 | 4.436,70 |
| SAP 160x112 | E01 | 407,79 | 157,70 | - | - | 5.295,77 | 4.436,70 |
| SAP 180x125 | E01 | 500,22 | 157,70 | 5.023,90 | 2.163,98 | 5.295,77 | 4.436,70 |
| SAP 200x140 | E01 | 524,70 | 157,70 | 5.023,90 | 2.163,98 | 5.295,77 | 4.436,70 |
| SAP 224x160 | E01 | 538,28 | 157,70 | 5.023,90 | 2.163,98 | 5.295,77 | 4.436,70 |
| SAP 250x180 | E01 | 524,70 | 157,70 | - | - | 5.295,77 | 4.436,70 |
| SAP 280x200 | E01 | 538,28 | 157,70 | - | - | 5.295,77 | 4.436,70 |
| SAP 315x224 | E01 | 560,04 | 157,70 | 5.023,90 | 2.163,98 | 5.295,77 | 4.436,70 |
| SAP 355x250 | E01 | 584,49 | 157,70 | 5.023,90 | 2.163,98 | 5.295,77 | 4.436,70 |
| SAP 400x280 | E01 | 791,12 | 157,70 | 5.023,90 | 2.163,98 | 5.295,77 | 4.436,70 |
| SA 450x315 | E01 | 935,20 | 157,70 | 5.023,90 | 2.163,98 | 5.295,77 | 4.436,70 |
| SA 500x355 | E01 | 1.196,17 | 182,15 | 5.023,90 | 2.163,98 | 5.295,77 | 4.436,70 |
| SA 560x400 | E01 | 1.370,16 | 182,15 | 6.456,60 | 2.468,47 | 5.295,77 | 4.436,70 |
| SA 630x450 | E01 | 1.603,96 | 217,49 | 6.456,60 | 2.468,47 | 5.295,77 | 4.436,70 |
| SA 710x500 | E01 | 1.772,52 | 217,49 | 6.456,60 | 2.468,47 | 5.295,77 | 4.436,70 |
| SA 800x560 | E01 | 1.900,28 | 263,70 | 6.456,60 | 2.468,47 | 5.295,77 | 4.436,70 |
| SA 900x630 | E01 | 2.370,60 | 263,70 | 6.456,60 | 2.468,47 | 5.295,77 | 4.436,70 |
| SA 1000x710 | E01 | 2.509,24 | 326,23 | 6.456,60 | 2.468,47 | 5.295,77 | 4.436,70 |
| SA 1120x800 | E01 | 2.897,99 | 326,23 | 7.891,99 | 2.911,59 | 5.295,77 | 4.436,70 |
| SA 1250x900 | E01 | 3.322,09 | 394,18 | 7.891,99 | 2.911,59 | 5.295,77 | 4.436,70 |
| SA 1400x1000 | E01 | 3.591,24 | 394,18 | 7.891,99 | 2.911,59 | 5.295,77 | 4.436,70 |
| SA 1600x1120 | E01 | 4.018,05 | 500,22 | 7.891,99 | 2.911,59 | 5.295,77 | 4.436,70 |
| SA 1800x1250 | E01 | 4.444,87 | 608,96 | 7.891,99 | 2.911,59 | 5.295,77 | 4.436,70 |
| SA 2000x1400 | E01 | 4.817,30 | 761,21 | 7.891,99 | 2.911,59 | 5.295,77 | 4.436,70 |

¹ Los precios de los controles son a añadir al precio del accesorio

SAD/SAPD

Para ventiladores de doble oído: DFR y DFM

| Modelo | Grupo producto | Precio €/u. | Precio Control Manual MM ⁽¹⁾ €/u. | Precio Control Eléctrico ON/FF ⁽¹⁾ €/u. | Precio Control Pneumatico ON/FF ⁽¹⁾ €/u. | Precio Control Eléctrico PROPORCIONAL ⁽¹⁾ €/u. | Precio Control Pneumatico PROPORCIONAL ⁽¹⁾ €/u. |
|---------------|----------------|-------------|--|--|---|---|--|
| SAPD 560x400 | E01 | 2.280,90 | 182,15 | 6.456,60 | 2.468,47 | 5.295,77 | 4.436,70 |
| SAD 630x450 | E01 | 2.840,90 | 217,49 | 6.456,60 | 2.468,47 | 5.295,77 | 4.436,70 |
| SAD 710x560 | E01 | 3.012,18 | 217,49 | 6.456,60 | 2.468,47 | 5.295,77 | 4.436,70 |
| SAD 800x560 | E01 | 3.477,04 | 263,70 | 6.456,60 | 2.468,47 | 5.295,77 | 4.436,70 |
| SAD 900x630 | E01 | 3.988,15 | 263,70 | 6.456,60 | 2.468,47 | 5.295,77 | 4.436,70 |
| SAD 1000x710 | E01 | 4.306,22 | 326,23 | 6.456,60 | 2.468,47 | 5.295,77 | 4.436,70 |
| SAD 1120x800 | E01 | 4.822,75 | 326,23 | 7.891,99 | 2.911,59 | 5.295,77 | 4.436,70 |
| SAD 1250x900 | E01 | 5.333,83 | 394,18 | 7.891,99 | 2.911,59 | 5.295,77 | 4.436,70 |
| SAD 1400x1000 | E01 | 7.323,82 | 394,18 | 7.891,99 | 2.911,59 | 5.295,77 | 4.436,70 |
| SAD 1600x1120 | E01 | 9.884,70 | 500,22 | 7.891,99 | 2.911,59 | 5.295,77 | 4.436,70 |
| SAD 1800x1250 | E01 | 13.269,32 | 608,96 | 7.891,99 | 2.911,59 | 5.295,77 | 4.436,70 |
| SAD 2000x1400 | E01 | 18.225,25 | 761,21 | 7.891,99 | 2.911,59 | 5.295,77 | 4.436,70 |
| SAD 2240x1600 | E01 | 9.884,70 | 500,22 | 7.891,99 | 2.911,59 | 5.295,77 | 4.436,70 |
| SAD 2500x1800 | E01 | 13.269,32 | 608,96 | 7.891,99 | 2.911,59 | 5.295,77 | 4.436,70 |
| SAD 2800x2000 | E01 | 18.225,25 | 761,21 | 7.891,99 | 2.911,59 | 5.295,77 | 4.436,70 |

¹ Los precios de los controles son a añadir al precio del accesorio

SF

VÁLVULA MARIPOSA

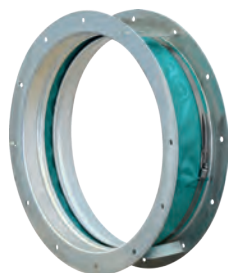
Se utiliza para reducir el caudal del ventilador de acuerdo con los requisitos del sistema.

Condiciones y límites de uso:

- Para ventiladores de simple etapa
- Regula tanto el caudal como la presión del ventilador sobre el que se instala
- Temperatura máxima/mínima de trabajo: 300°C/-20°C (para temperaturas superiores o inferiores, consultar construcción especial)
- Temperatura ambiental máxima: 40°C
- Utilizado para aire limpio o con poco polvo (máximo 2 g/m³)

| Modelo | Grupo producto | Precio €/u. | Precio Control Manual MM ⁽¹⁾ €/u. | Precio Control Eléctrico ON/FF ⁽¹⁾ €/u. | Precio Control Pneumatico ON/FF ⁽¹⁾ €/u. | Precio Control Eléctrico PROPORCIONAL ⁽¹⁾ €/u. | Precio Control Pneumatico PROPORCIONAL ⁽¹⁾ €/u. |
|---------|----------------|-------------|--|--|---|---|--|
| SF 250 | E01 | 663,36 | 157,70 | - | - | 5.295,77 | 4.436,70 |
| SF 280 | E01 | 663,36 | 157,70 | - | - | 5.295,77 | 4.436,70 |
| SF 315 | E01 | 663,36 | 157,70 | 5.023,90 | 2.163,98 | 5.295,77 | 4.436,70 |
| SF 355 | E01 | 685,08 | 157,70 | 5.023,90 | 2.163,98 | 5.295,77 | 4.436,70 |
| SF 400 | E01 | 774,79 | 157,70 | 5.023,90 | 2.163,98 | 5.295,77 | 4.436,70 |
| SF 450 | E01 | 837,34 | 157,70 | 5.023,90 | 2.163,98 | 5.295,77 | 4.436,70 |
| SF 500 | E01 | 880,82 | 182,15 | 5.023,90 | 2.163,98 | 5.295,77 | 4.436,70 |
| SF 560 | E01 | 967,83 | 182,15 | 6.456,60 | 2.468,47 | 5.295,77 | 4.436,70 |
| SF 630 | E01 | 1.043,94 | 217,49 | 6.456,60 | 2.468,47 | 5.295,77 | 4.436,70 |
| SF 710 | E01 | 1.149,95 | 217,49 | 6.456,60 | 2.468,47 | 5.295,77 | 4.436,70 |
| SF 800 | E01 | 1.228,78 | 263,70 | 6.456,60 | 2.468,47 | 5.295,77 | 4.436,70 |
| SF 900 | E01 | 1.304,91 | 263,70 | 6.456,60 | 2.468,47 | 5.295,77 | 4.436,70 |
| SF 1000 | E01 | 1.443,56 | 326,23 | 6.456,60 | 2.468,47 | 5.295,77 | 4.436,70 |
| SF 1120 | E01 | 2.327,11 | 326,23 | 7.891,99 | 2.911,59 | 5.295,77 | 4.436,70 |
| SF 1250 | E01 | 3.368,31 | 394,18 | 7.891,99 | 2.911,59 | 5.295,77 | 4.436,70 |

¹ Los precios de los controles son a añadir al precio del accesorio

**GA****JUNTA FLEXIBLE ASPIRACIÓN**

Junta antivibrante de aspiración, utilizada para evitar la transmisión de ruidos y vibraciones.

| Modelo | Grupo producto | Precio Tipo 2-3 €/u. | Precio Tipo 5-6 €/u. | Precio Tipo 9 €/u. |
|---------|----------------|----------------------|----------------------|--------------------|
| GA 50 | E01 | 415,95 | 565,47 | 513,82 |
| GA 63 | E01 | 415,95 | 565,47 | 513,82 |
| GA 80 | E01 | 415,95 | 565,47 | 513,82 |
| GA 125 | E01 | 415,95 | 565,47 | 513,82 |
| GA 140 | E01 | 415,95 | 565,47 | 513,82 |
| GA 160 | E01 | 415,95 | 565,47 | 513,82 |
| GA 180 | E01 | 415,95 | 565,47 | 513,82 |
| GA 200 | E01 | 415,95 | 565,47 | 513,82 |
| GA 224 | E01 | 415,95 | 565,47 | 513,82 |
| GA 250 | E01 | 415,95 | 565,47 | 513,82 |
| GA 280 | E01 | 415,95 | 565,47 | 513,82 |
| GA 315 | E01 | 415,95 | 565,47 | 513,82 |
| GA 355 | E01 | 440,39 | 598,08 | 543,72 |
| GA 400 | E01 | 489,34 | 647,02 | 598,08 |
| GA 450 | E01 | 538,28 | 698,69 | 627,98 |
| GA 500 | E01 | 587,23 | 744,90 | 712,27 |
| GA 560 | E01 | 685,08 | 842,77 | 826,45 |
| GA 630 | E01 | 758,50 | 916,15 | 913,43 |
| GA 710 | E01 | 856,36 | 1.038,50 | 1.000,43 |
| GA 800 | E01 | 975,96 | 1.136,35 | 1.141,81 |
| GA 900 | E01 | 1.098,31 | 1.258,70 | 1.255,99 |
| GA 1000 | E01 | 1.217,93 | 1.419,08 | 1.370,16 |
| GA 1120 | E01 | 1.419,08 | 1.671,92 | 1.571,34 |
| GA 1250 | E01 | 1.712,70 | 1.981,84 | 1.998,15 |
| GA 1400 | E01 | 1.954,65 | 2.283,60 | 2.256,42 |
| GA 1600 | E01 | 2.443,98 | 3.042,07 | 2.740,32 |
| GA 1800 | E01 | 3.175,27 | 4.031,64 | 3.482,49 |
| GA 2000 | E01 | 4.151,23 | 5.129,94 | 4.453,02 |

**GP****JUNTA FLEXIBLE DESCARGA**

Junta antivibrante de descarga, utilizada para evitar la transmisión de ruidos y vibraciones.

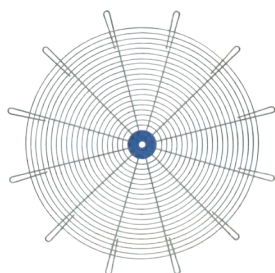
| Modelo | Grupo producto | Precio Tipo 2-3 €/u. | Precio Tipo 5-6 €/u. | Precio Tipo 9 €/u. |
|--------------|----------------|----------------------|----------------------|--------------------|
| GP 90x63 | E01 | 415,95 | 565,47 | 513,82 |
| GP 100x71 | E01 | 415,95 | 565,47 | 513,82 |
| GP 112x80 | E01 | 415,95 | 565,47 | 513,82 |
| GP 125x90 | E01 | 415,95 | 565,47 | 513,82 |
| GP 140x100 | E01 | 415,95 | 565,47 | 513,82 |
| GP 160x112 | E01 | 415,95 | 565,47 | 513,82 |
| GP 180x125 | E01 | 415,95 | 565,47 | 513,82 |
| GP 200x140 | E01 | 415,95 | 565,47 | 513,82 |
| GP 224x160 | E01 | 415,95 | 565,47 | 513,82 |
| GP 250x180 | E01 | 415,95 | 565,47 | 513,82 |
| GP 280X200 | E01 | 415,95 | 565,47 | 513,82 |
| GP 315x224 | E01 | 415,95 | 565,47 | 513,82 |
| GP 355x250 | E01 | 415,95 | 565,47 | 513,82 |
| GP 400x280 | E01 | 440,39 | 587,23 | 543,72 |
| GP 450x315 | E01 | 489,34 | 638,87 | 598,08 |
| GP 500x355 | E01 | 538,28 | 687,79 | 627,98 |
| GP 560x400 | E01 | 587,23 | 736,74 | 712,27 |
| GP 630x450 | E01 | 638,87 | 785,66 | 799,27 |
| GP 710x500 | E01 | 685,08 | 834,61 | 826,45 |
| GP 800X560 | E01 | 734,02 | 880,82 | 913,43 |
| GP 900x630 | E01 | 856,36 | 1.005,88 | 1.000,43 |
| GP 1000x710 | E01 | 975,96 | 1.136,35 | 1.141,81 |
| GP 1120x800 | E01 | 1.220,65 | 1.438,12 | 1.370,16 |
| GP 1250x900 | E01 | 1.468,03 | 1.712,70 | 1.625,72 |
| GP 1400x1000 | E01 | 1.954,65 | 2.196,59 | 2.256,42 |
| GP 1600x1120 | E01 | 2.688,67 | 3.050,24 | 2.984,98 |
| GP 1800x1250 | E01 | 3.542,29 | 4.031,64 | 3.849,49 |
| GP 2000x1400 | E01 | 4.515,54 | 5.015,75 | 4.817,30 |
| GP 2240x1600 | E01 | 2.688,67 | 3.050,24 | 2.984,98 |
| GP 2500x1800 | E01 | 3.542,29 | 4.031,64 | 3.849,49 |
| GP 2800x2000 | E01 | 4.515,54 | 5.015,75 | 4.817,30 |

**DF****FILTRO EN LA ASPIRACIÓN**

Filtro de aire que dispone de panel removible VILEDON P15/500/S.
Eficiencia del filtro: G4.

| Modelo | Grupo producto | Precio €/u. |
|------------|----------------|-------------|
| DF 224/140 | E01 | 693,24 |
| DF224/160 | E01 | 693,24 |
| DF 250/180 | E01 | 584,49 |
| DF 280/200 | E01 | 693,24 |
| DF 315/224 | E01 | 693,24 |
| DF 355/250 | E01 | 796,56 |
| DF 400/280 | E01 | 796,56 |
| DF 450/315 | E01 | 1.011,30 |
| DF 500/355 | E01 | 1.168,99 |
| DF 560/400 | E01 | 1.435,39 |

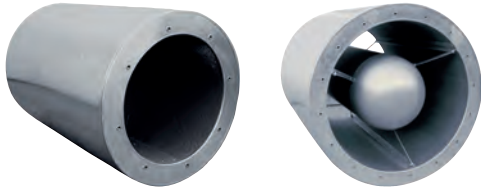
| Modelo | Grupo producto | Precio €/u. |
|--------------|----------------|-------------|
| DF 630/450 | E01 | 1.701,82 |
| DF 710/500 | E01 | 2.019,89 |
| DF 800/560 | E01 | 2.340,69 |
| DF 900/630 | E01 | 2.764,77 |
| DF 1000/710 | E01 | 3.191,59 |
| DF 1120/800 | E01 | 3.776,09 |
| DF 1250/900 | E01 | 4.735,74 |
| DF 1250/1000 | E01 | 4.735,74 |

**RC****DEFENSA DE PROTECCIÓN PARA LA ASPIRACIÓN**

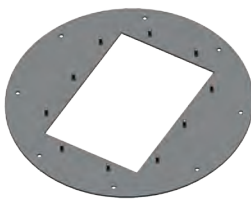
Defensa tipo RC (paso 12 mm).
Debe ser instalada y utilizada exclusivamente para el ventilador que ha sido diseñada o como recambio de una reja idéntica de nuestra fabricación. Queda prohibido cualquier otro uso.

| Modelo | Grupo producto | Precio €/u. |
|--------|----------------|-------------|
| RC 125 | E01 | 35,35 |
| RC 140 | E01 | 38,06 |
| RC 160 | E01 | 40,79 |
| RC 180 | E01 | 40,79 |
| RC 200 | E01 | 54,38 |
| RC 224 | E01 | 59,82 |
| RC 250 | E01 | 73,40 |
| RC 280 | E01 | 73,40 |
| RC 315 | E01 | 78,83 |
| RC 355 | E01 | 89,70 |
| RC 400 | E01 | 97,89 |
| RC 450 | E01 | 103,32 |
| RC 500 | E01 | 122,34 |
| RC 560 | E01 | 138,65 |

| Modelo | Grupo producto | Precio €/u. |
|---------|----------------|-------------|
| RC 630 | E01 | 165,83 |
| RC 710 | E01 | 168,55 |
| RC 800 | E01 | 190,32 |
| RC 900 | E01 | 212,05 |
| RC 1000 | E01 | 296,34 |
| RC 1120 | E01 | 508,39 |
| RC 1250 | E01 | 589,92 |
| RC 1400 | E01 | 739,46 |
| RC 1600 | E01 | 820,99 |
| RC 1800 | E01 | 1.114,62 |
| RC 2000 | E01 | 1.560,46 |

**KRTO / SIL-F****SILENCIADORES ASPIRACIÓN/DESCARGA**

| Modelo | Grupo producto | Precio €/u. | Modelo Brida aspiración | Precio €/u. |
|-----------------------|----------------|-------------|-------------------------|-------------|
| KRTO 140x600 | E01 | 346,41 | 140 | 206,89 |
| KRTO 160x600 | E01 | 356,64 | 160 | 206,89 |
| KRTO 180x600 | E01 | 366,83 | 180 | 206,89 |
| KRTO 200x600 | E01 | 428,12 | 200 | 206,89 |
| KRTO 225x600 | E01 | 561,85 | 225 | 206,89 |
| KRTO 250x600 | E01 | 610,60 | 250 | 206,89 |
| KRTO 280x600 | E01 | 631,50 | 280 | 206,89 |
| KRTO 315x600 | E01 | 645,43 | 315 | 206,89 |
| KRTO 355x900 | E01 | 812,59 | 355 | 236,44 |
| KRTO 400x900 | E01 | 1.002,97 | 400 | 236,44 |
| KRTO 450x850 | E01 | 1.080,51 | 450 | 265,99 |
| KRTO 500x850 | E01 | 1.179,42 | 500 | 325,10 |
| KRTO 560-12x900 | E01 | 1.269,96 | 560-12 | 325,10 |
| KRTO 560-16x900 | E01 | 1.307,10 | 560-16 | 325,10 |
| KRTO 630-12x900 | E01 | 1.423,65 | 630-12 | 413,77 |
| KRTO 630-16x900 | E01 | 1.462,66 | 630-16 | 413,77 |
| KRTO 710x1200 | E01 | 1.801,62 | 710 | 886,62 |
| KRTO 800x1200 | E01 | 2.019,86 | 800 | 1.182,17 |
| KRTO 900x1200 | E01 | 2.135,92 | 900 | 1.359,48 |
| KRTO 1000x1200 | E01 | 2.335,60 | 1000 | 1.625,48 |
| KRTO 1120x1500 | E01 | 2.957,80 | 1120 | 2.009,66 |
| KRTO 1250x1500 | E01 | 3.343,18 | 1250 | 2.423,41 |
| SIL-F BULBO 1400x2100 | E01 | 4.610,38 | 1400 | 2.778,07 |
| SIL-F BULBO 1600x2100 | E01 | 5.201,47 | 1600 | 3.191,82 |
| SIL-F BULBO 1800 | E01 | 6.324,51 | 1800 | - |
| SIL-F BULBO 2000 | E01 | 7.861,29 | 2000 | - |

**BDS****BRIDA DESCARGA SILENCIADOR**

| Modelo | Grupo producto | Precio €/u. | Modelo | Grupo producto | Precio €/u. |
|-------------|----------------|-------------|---------------|----------------|-------------|
| BDS 90x63 | E01 | 78,95 | BDS 560x400 | E01 | 195,04 |
| BDS 100x71 | E01 | 78,95 | BDS 630x450 | E01 | 213,60 |
| BDS 112x80 | E01 | 78,95 | BDS 710x500 | E01 | 292,54 |
| BDS 125x90 | E01 | 92,88 | BDS 800x560 | E01 | 348,28 |
| BDS 140x100 | E01 | 92,88 | BDS 900x630 | E01 | 394,70 |
| BDS 160x112 | E01 | 92,88 | BDS 1000x710 | E01 | 427,20 |
| BDS 180x125 | E01 | 92,88 | BDS 1120x800 | E01 | 534,01 |
| BDS 200x140 | E01 | 102,16 | BDS 1250x900 | E01 | 636,14 |
| BDS 224x160 | E01 | 102,16 | BDS 1400x1000 | E01 | 696,51 |
| BDS 250x180 | E01 | 102,16 | BDS 1600x1120 | E01 | 975,11 |
| BDS 280x200 | E01 | 102,16 | BDS 1800x1250 | E01 | 1.114,41 |
| BDS 315x224 | E01 | 125,39 | BDS 2000x1400 | E01 | 1.393,01 |
| BDS 355x250 | E01 | 125,39 | BDS 2240x1600 | E01 | 1.764,47 |
| BDS 400x280 | E01 | 148,60 | BDS 2500x1800 | E01 | 2.275,23 |
| BDS 450x315 | E01 | 157,89 | BDS 2800x2000 | E01 | 2.553,82 |
| BDS 500x355 | E01 | 167,17 | | | |



CI

CAJA DE INSONORIZACIÓN

| Modelo | Grupo producto | Precio €/u. |
|--------|----------------|-------------|
| CI-L 1 | E01 | 3.812,62 |
| CI-L 2 | E01 | 5.544,50 |
| CI-L 3 | E01 | 8.718,03 |
| CI-L 4 | E01 | 10.914,04 |
| CI-L 5 | E01 | 20.064,31 |
| CI-L 6 | E01 | 20.064,31 |

Selección cabina insonorizada

| Serie ventilador | Modelo cabina | Serie ventilador | Modelo cabina | Serie ventilador | Modelo cabina | Serie ventilador | Modelo cabina |
|-------------------|---------------|--------------------|---------------|--------------------|---------------|-------------------|---------------|
| FR 251/2 N4A 0,55 | CI-L1 | ART 631/2 N4A 30 | CI-L2 | FE 711/2 N4A 15 | CI-L2 | FQ 401/2 N4A 4 | CI-L1 |
| FR 281/2 N4A 1,1 | CI-L1 | ART 711/2 N4A 45 | CI-L3 | FE 801/2 N4A 22 | CI-L2 | FQ 451/2 N4A 7,5 | CI-L2 |
| FR 311/2 N4A 2,2 | CI-L1 | ART 801/2 N4A 90 | CI-L3 | FE 901/2 N4A 37 | CI-L3 | FQ 501/2 N4A 11 | CI-L2 |
| FR 351/2 N4A 3 | CI-L1 | ART 901/2 N4A 160 | CI-L4 | FE 1001/2 N4A 75 | CI-L4 | FQ 562/2 N4A 15 | CI-L2 |
| FR 401/2 N4A 5,5 | CI-L2 | ART 1001/4 N4A 37 | CI-L4 | FE 1121/2 N4A 110 | CI-L4 | FQ 631/2 N4A 37 | CI-L3 |
| FR 451/2 N4A 11 | CI-L2 | ART 1121/4 N4A 55 | CI-L5 | VCM 351/2 N4A 1,1 | CI-L1 | FQ 712/4 N4A 5,5 | CI-L3 |
| FR 502/2 N4A 15 | CI-L2 | ART 1251/4 N4A 110 | CI-L5 | VCM 401/2 N4A 2,2 | CI-L1 | FQ 801/4 N4A 15 | CI-L3 |
| FR 561/4 N4A 4 | CI-L2 | ART 1401/4 N4A 185 | CI-L6 | VCM 451/2 N4A 4 | CI-L1 | FQ 901/4 N4A 30 | CI-L4 |
| FR 632/4 N4A 5,5 | CI-L2 | MEC 221/2 N4A 0,18 | CI-L1 | VCM 501/2 N4A 5,5 | CI-L1 | FQ 1001/4 N4A 45 | CI-L4 |
| FR 712/4 N4A 11 | CI-L3 | MEC 251/2 N4A 0,37 | CI-L1 | VCM 561/2 N4A 11 | CI-L2 | FQ 1121/4 N4A 75 | CI-L5 |
| FR 802/4 N4A 18,5 | CI-L3 | MEC 281/2 N4A 0,75 | CI-L1 | VCM 631/2 N4A 18,5 | CI-L2 | FQ 1251/4 N4A 132 | CI-L5 |
| FR 902/4 N4A 37 | CI-L4 | MEC 311/2 N4A 1,5 | CI-L1 | VCM 711/2 N4A 30 | CI-L2 | FQ 1401/6 N4A 75 | CI-L6 |
| FR 1002/4 N4A 55 | CI-L4 | MEC 351/2 N4A 2,2 | CI-L1 | VCM 801/2 N4A 55 | CI-L3 | FG 451/2 N4A 2,2 | CI-L1 |
| FR 1122/6 N4A 30 | CI-L5 | MEC 401/2 N4A 4 | CI-L1 | VCM 901/2 N4A 90 | CI-L3 | FG 501/2 N4A 5,5 | CI-L1 |
| FR 1252/6 N4A 55 | CI-L5 | MEC 451/2 N4A 7,5 | CI-L2 | VCM 1001/2 N4A 160 | CI-L4 | FG 561/2 N4A 7,5 | CI-L2 |
| FR 1402/6 N4A 90 | CI-L6 | MEC 501/2 N4A 15 | CI-L2 | FL 401/2 N4A 2,2 | CI-L1 | FG 631/2 N4A 15 | CI-L2 |
| FC 501/2 N4A 1,1 | CI-L1 | MEC 561/2 N4A 22 | CI-L2 | FL 451/2 N4A 4 | CI-L1 | FG 711/2 N4A 30 | CI-L2 |
| FC 561/2 N4A 2,2 | CI-L2 | MEC 631/4 N4A 5,5 | CI-L2 | FL 501/2 N4A 7,5 | CI-L1 | FG 801/2 N4A 45 | CI-L3 |
| FC 631/2 N4A 4 | CI-L2 | MEC 711/4 N4A 11 | CI-L2 | FL 561/2 N4A 11 | CI-L2 | FG 901/2 N4A 90 | CI-L3 |
| FC 711/2 N4A 7,5 | CI-L2 | MEC 801/4 N4A 18,5 | CI-L3 | FL 631/2 N4A 18,5 | CI-L2 | FG 1001/2 N4A 132 | CI-L4 |
| FC 801/2 N4A 11 | CI-L3 | MEC 901/4 N4A 37 | CI-L4 | FL 711/2 N4A 37 | CI-L2 | FP 351/2 N4A 2,2 | CI-L1 |
| FC 901/2 N4A 18,5 | CI-L3 | MEC 1001/4 N4A 55 | CI-L4 | FL 801/2 N4A 75 | CI-L3 | FP 401/2 N4A 4 | CI-L1 |
| FC 1001/2 N4A 30 | CI-L4 | MEC 1121/4 N4A 90 | CI-L5 | FL 901/2 N4A 110 | CI-L3 | FP 451/2 N4A 7,5 | CI-L2 |
| FC 1121/2 N4A 75 | CI-L4 | MEC 1251/6 N4A 45 | CI-L5 | FL 1001/2 N4A 200 | CI-L4 | FP 501/2 N4A 11 | CI-L2 |
| ART 401/2 N4A 3 | CI-L1 | MEC 1401/6 N4A 75 | CI-L6 | FQ 251/2 N4A 0,37 | CI-L1 | FP 561/2 N4A 18,5 | CI-L2 |
| ART 451/2 N4A 5,5 | CI-L2 | FE 501/2 N4A 2,2 | CI-L1 | FQ 281/2 N4A 0,55 | CI-L1 | FP 631/2 N4A 37 | CI-L3 |
| ART 501/2 N4A 11 | CI-L2 | FE 561/2 N4A 4 | CI-L2 | FQ 311/2 N4A 1,1 | CI-L1 | FP 711/2 N4A 75 | CI-L3 |
| ART 561/2 N4A 15 | CI-L2 | FE 631/2 N4A 7,5 | CI-L2 | FQ 351/2 N4A 2,2 | CI-L1 | FP 801/2 N4A 110 | CI-L3 |



SENSOR DE VIBRACIONES

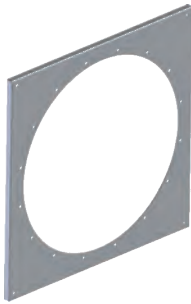
| Modelo | Grupo producto | Precio €/u. |
|-------------------------------|----------------|-------------|
| SENSOR DE VIBRACIONES M8 | E01 | 2.068,77 |
| SENSOR DE VIBRACIONES ATEX M8 | E01 | 2.680,81 |

**SG****PERSIANA SOBREPRESIÓN**

Persianas utilizadas en condiciones atmosféricas adversas.

| Modelo | Grupo producto | Precio €/u. |
|--------|----------------|-------------|
| SG 315 | E01 | 171,27 |
| SG 355 | E01 | 195,75 |
| SG 400 | E01 | 214,77 |
| SG 450 | E01 | 225,65 |
| SG 500 | E01 | 247,39 |
| SG 560 | E01 | 282,74 |
| SG 630 | E01 | 309,92 |
| SG 710 | E01 | 345,27 |

| Modelo | Grupo producto | Precio €/u. |
|---------|----------------|-------------|
| SG 800 | E01 | 394,18 |
| SG 900 | E01 | 437,70 |
| SG 1000 | E01 | 546,44 |
| SG 1120 | E01 | 1.022,18 |
| SG 1250 | E01 | 1.364,72 |
| SG 1400 | E01 | 2.044,38 |

**PA****PANEL CUADRADO**

Solo para ventiladores con buje de aluminio.

| Modelo | Grupo producto | Precio €/u. |
|--------|----------------|-------------|
| PA 315 | E01 | 154,96 |
| PA 355 | E01 | 154,96 |
| PA 400 | E01 | 182,15 |
| PA 450 | E01 | 182,15 |
| PA 500 | E01 | 236,54 |
| PA 560 | E01 | 236,54 |
| PA 630 | E01 | 339,82 |
| PA 710 | E01 | 418,66 |

| Modelo | Grupo producto | Precio €/u. |
|---------|----------------|-------------|
| PA 800 | E01 | 497,50 |
| PA 900 | E01 | 606,26 |
| PA 1000 | E01 | 679,65 |
| PA 1120 | E01 | 1.538,72 |
| PA 1250 | E01 | 2.357,01 |
| PA 1400 | E01 | 3.381,89 |

**PD****PIE SOPORTE PARA EF**

Instalados para mantener el ventilador estable, permiten la instalación de juntas antivibratorias y amortizadores.

| Modelo | Grupo producto | Precio €/u. |
|--------|----------------|-------------|
| PD 315 | E01 | 62,54 |
| PD 355 | E01 | 62,54 |
| PD 400 | E01 | 76,12 |
| PD 450 | E01 | 95,17 |
| PD 500 | E01 | 122,34 |
| PD 560 | E01 | 157,70 |
| PD 630 | E01 | 231,08 |
| PD 710 | E01 | 307,21 |
| PD 800 | E01 | 386,04 |
| PD 900 | E01 | 464,88 |

| Modelo | Grupo producto | Precio €/u. |
|---------|----------------|-------------|
| PD 1000 | E01 | 619,84 |
| PD 1120 | E01 | 774,79 |
| PD 1250 | E01 | 973,25 |
| PD 1400 | E01 | 1.701,82 |
| PD 1600 | E01 | 2.011,74 |
| PD 1800 | E01 | 2.862,64 |
| PD 2000 | E01 | 3.558,61 |

**BA****EMBOCADURA**

Se utiliza para mejorar el rendimiento del ventilador y reducir el nivel de ruido.

| Modelo | Grupo producto | Precio €/u. |
|--------|----------------|-------------|
| BA 315 | E01 | 138,65 |
| BA 355 | E01 | 206,63 |
| BA 400 | E01 | 244,69 |
| BA 450 | E01 | 293,61 |
| BA 500 | E01 | 334,40 |
| BA 560 | E01 | 383,33 |
| BA 630 | E01 | 451,29 |
| BA 710 | E01 | 527,41 |

| Modelo | Grupo producto | Precio €/u. |
|---------|----------------|-------------|
| BA 800 | E01 | 617,14 |
| BA 900 | E01 | 676,92 |
| BA 1000 | E01 | 763,92 |
| BA 1120 | E01 | 1.761,64 |
| BA 1250 | E01 | 2.318,95 |
| BA 1400 | E01 | 3.175,27 |
| BA 1600 | E01 | 4.053,39 |
| BA 1800 | E01 | 5.067,40 |

**AM/AZ****SILENTBLOCKS**

| Modelo | Grupo producto | Precio Juego €/u. |
|-------------------------------------|----------------|-------------------|
| SILENTBLOCK AM20 (juego 4 unidades) | E01 | 61,01 |
| SILENTBLOCK AM25 (juego 4 unidades) | E01 | 61,01 |
| SILENTBLOCK AM30 (juego 4 unidades) | E01 | 68,96 |
| SILENTBLOCK AM40 (juego 4 unidades) | E01 | 74,26 |
| SILENTBLOCK AM40 (juego 6 unidades) | E01 | 110,90 |
| SILENTBLOCK AM50 (juego 4 unidades) | E01 | 90,18 |
| SILENTBLOCK AM50 (juego 6 unidades) | E01 | 135,26 |
| SILENTBLOCK AM75 (juego 4 unidades) | E01 | 167,10 |
| SILENTBLOCK AM75 (juego 6 unidades) | E01 | 250,63 |
| SILENTBLOCK AZ39 (juego 4 unidades) | E01 | 578,19 |
| SILENTBLOCK AZ39 (juego 6 unidades) | E01 | 867,29 |
| SILENTBLOCK AZ51 (juego 4 unidades) | E01 | 1.071,51 |
| SILENTBLOCK AZ51 (juego 6 unidades) | E01 | 1.607,26 |
| SILENTBLOCK AZ63 (juego 6 unidades) | E01 | 1.920,23 |



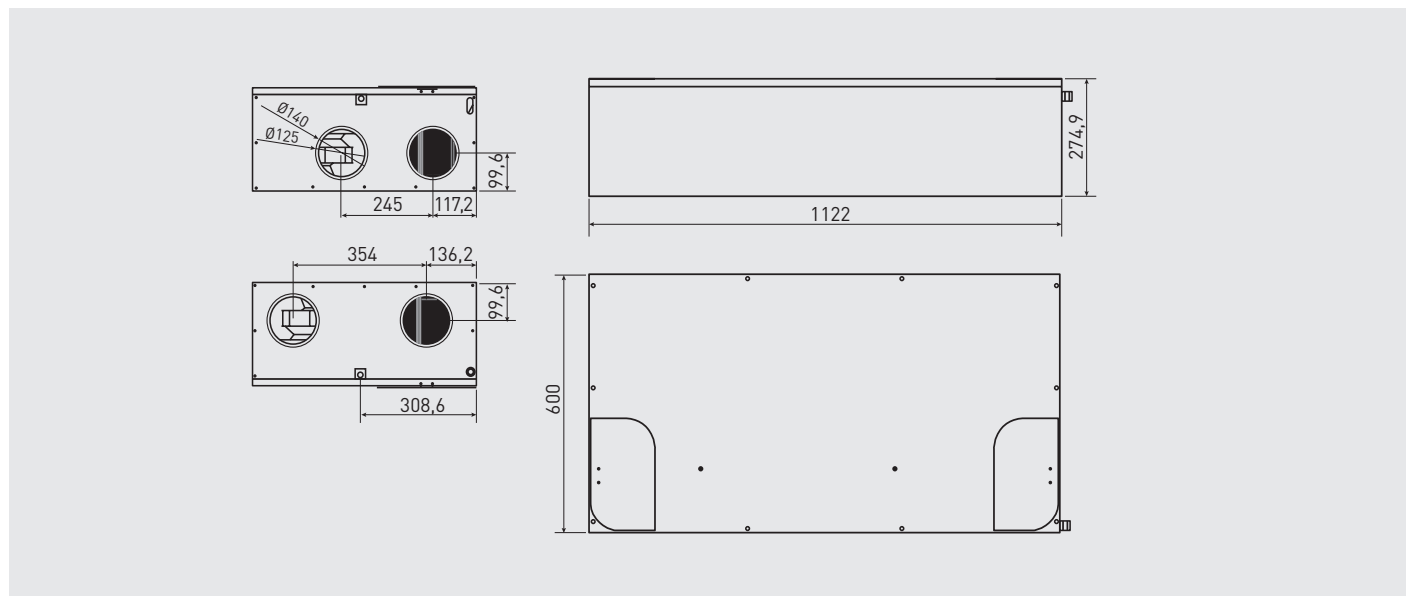


DIMENSIONES

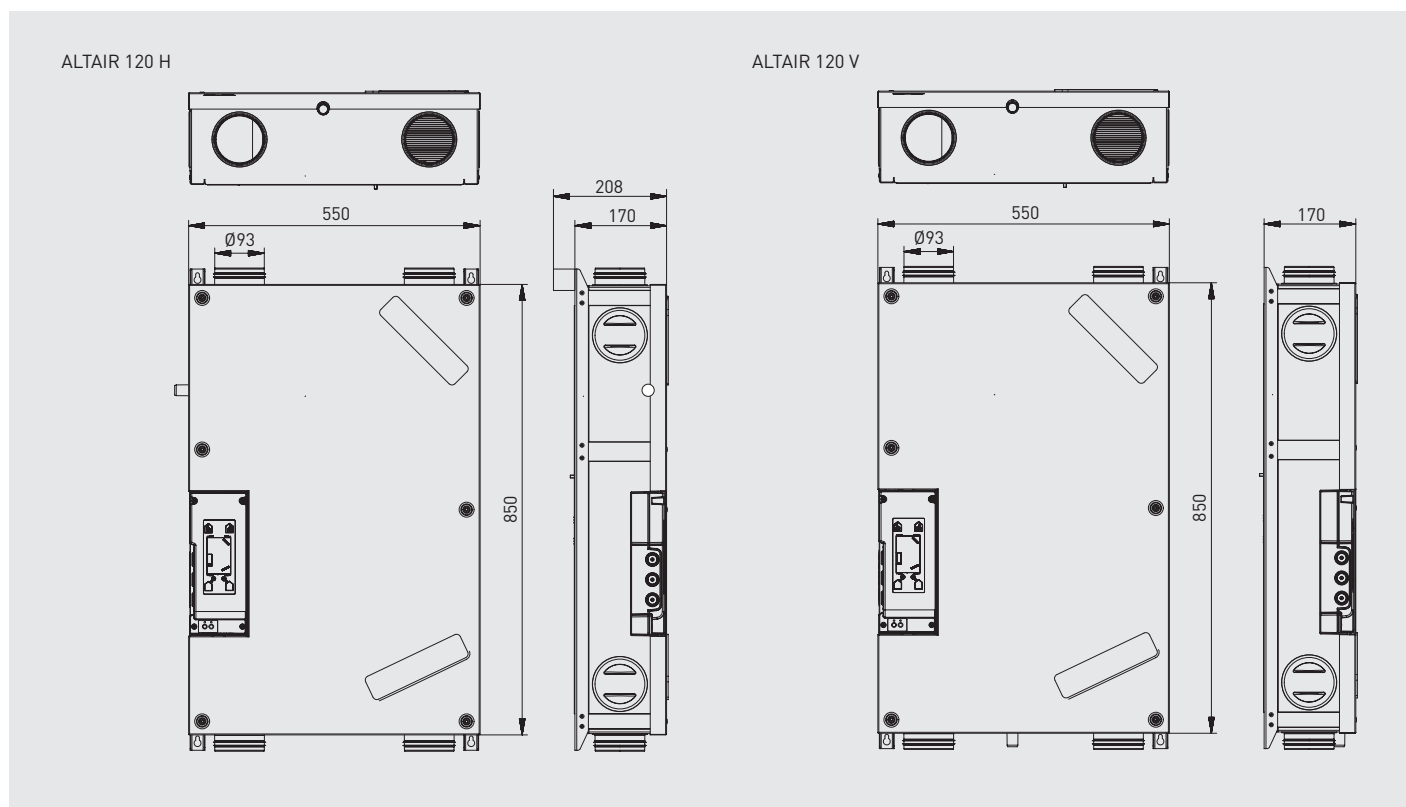
ÍNDICE DE DIMENSIONES

| | | | | | |
|------------------------|-----|----------------------------|-----|---------------------------------|-----|
| AD..... | 553 | COR-PRO-V W..... | 602 | KABB/KABT ECOWATT..... | 641 |
| ALTAIR..... | 553 | COR-S..... | 602 | KCTR..... | 642 |
| AXB..... | 554 | CRCB ECOWATT..... | 603 | MAX-TEMP CTHB/CTHT..... | 643 |
| BA-AC-N..... | 555 | CRCB ECOWATT PR..... | 605 | MAX-TEMP CTVB/CTVT..... | 643 |
| BA-AF..... | 555 | CRHB/T-N..... | 607 | MBE..... | 644 |
| BAFR..... | 555 | CRHB/T-N ECOWATT..... | 607 | MBE-R..... | 644 |
| BR 25..... | 556 | CRHB/T-N ECOWATT PLUS..... | 607 | MBW..... | 644 |
| BR 25 BASIC..... | 556 | CRMT..... | 608 | MFL-F..... | 645 |
| BR DH..... | 556 | CRMTC..... | 608 | MFL-G4..... | 645 |
| BSP..... | 557 | CRVB/T-N..... | 609 | NEMBUS..... | 646 |
| CAB..... | 559 | CRVB/T-N ECOWATT..... | 609 | ORKA..... | 647 |
| CAB-B..... | 559 | CRVB/T-N ECOWATT PLUS..... | 609 | OZEO E ECOWATT 2..... | 647 |
| CAB-PLUS..... | 559 | CTB..... | 610 | OZEO E ECOWATT CONTROL CO2..... | 647 |
| CAB ECOWATT..... | 560 | CTB ECOWATT..... | 610 | OZEO FLAT AUTO 2V..... | 648 |
| CAB ECOWATT PLUS..... | 560 | CTB ECOWATT PLUS..... | 611 | OZEO FLAT H 2..... | 648 |
| CACB-N..... | 560 | CTBH ECOWATT..... | 611 | OZEO FLAT H ECOWATT..... | 648 |
| CACB-N ECOWATT..... | 561 | CTVT HP..... | 612 | OZEO H ST 2..... | 648 |
| CACB ECM..... | 561 | CVAB-N/CVAT-N..... | 613 | OZEO H ECOWATT 2..... | 648 |
| CACB B ECM ECO..... | 562 | CVAB/T-N ECOWATT..... | 613 | PBB/PBT..... | 649 |
| CAD-COMPACT..... | 563 | CVB/CVT CENTRIBOX..... | 614 | PIV..... | 649 |
| CAD-HE EC..... | 565 | CVB SLIMBOX..... | 614 | PIV W..... | 649 |
| CADB/T-HE BASIC..... | 566 | CVHN..... | 615 | PULSE..... | 650 |
| CADB/T-HE ECOWATT..... | 570 | CVHT..... | 616 | RESPIRO..... | 650 |
| CADB/T-HE PRO-REG..... | 574 | CVST..... | 618 | RHE..... | 651 |
| CADS-FLEXEO..... | 578 | CVTT..... | 619 | SABIK..... | 659 |
| CADS-HE..... | 579 | CXRT-N F400..... | 620 | SLIMLINE..... | 660 |
| CAIB/T PRO-REG..... | 579 | DOMEO..... | 625 | TCBB/TCBT..... | 661 |
| CBM..... | 581 | FB F7 H14..... | 626 | TCBB/TCBTx2..... | 662 |
| CBM PEQUEÑA..... | 582 | FBL-N..... | 628 | TCDH EXD..... | 662 |
| CBM-RE..... | 583 | FLEXEO 3V..... | 628 | TET..... | 662 |
| CBP..... | 584 | HCBB..... | 629 | TGT..... | 663 |
| CBT-N..... | 585 | HCBT..... | 629 | TH ATEX..... | 664 |
| CGT..... | 585 | HCFB..... | 629 | TH-ECOWATT..... | 664 |
| CHAT-N..... | 586 | HCFT..... | 629 | THGT..... | 665 |
| CHEMINAIR..... | 586 | HCTB..... | 630 | THGT-HATCH..... | 666 |
| CHGT..... | 587 | HCTT..... | 630 | TH-MIXVENT..... | 667 |
| CHMT..... | 588 | HDB..... | 630 | TJFT..... | 668 |
| CHMTC..... | 588 | HDT..... | 630 | TJFU..... | 668 |
| CHVB..... | 589 | HGHT-V..... | 631 | TJHT..... | 669 |
| CHVT..... | 589 | HGTT-V..... | 631 | TJHU..... | 669 |
| CKB-N..... | 589 | HIB/HIT-P..... | 631 | TMPB/TMPT..... | 670 |
| CMB..... | 590 | HXBR/HXTR..... | 632 | TPSB..... | 670 |
| CMPB/CMPT (1)..... | 591 | HXBR ECOWATT..... | 633 | TPSB ECOWATT..... | 670 |
| CMPB/CMPT (2)..... | 592 | HXM..... | 633 | TRB..... | 671 |
| CMPT ATEX..... | 595 | IBE..... | 634 | TREB..... | 671 |
| CMT..... | 590 | IBW..... | 634 | TTT-N..... | 671 |
| COR-FT..... | 596 | IDEO..... | 634 | TXBR ECOWATT..... | 672 |
| COR-FTW..... | 597 | IFFT..... | 635 | UP ECOWATT..... | 673 |
| COR-IND..... | 598 | IFHT..... | 635 | UP PRO-REG..... | 679 |
| COR-IND M..... | 598 | IFL-F..... | 636 | UPC ECOWATT..... | 685 |
| COR-IND MW..... | 598 | IFL-G4..... | 636 | UTBS ECOWATT..... | 686 |
| COR-N..... | 599 | ILHB-ILHT ECOWATT..... | 637 | UTBS PRO-REG..... | 700 |
| COR-N RF..... | 599 | ILHT..... | 638 | UVF ECOWATT..... | 714 |
| COR-NW..... | 599 | ILT ATEX..... | 639 | VENTURIA E 2018..... | 715 |
| COR-PRO..... | 600 | IRAB/IRAT-N..... | 639 | | |
| COR-PRO-N..... | 600 | IRB/IRT..... | 640 | | |
| COR-PRO-NW..... | 600 | IRB/T ECOWATT..... | 640 | | |
| COR-PRO-V..... | 601 | KABB/KABT..... | 641 | | |

AD

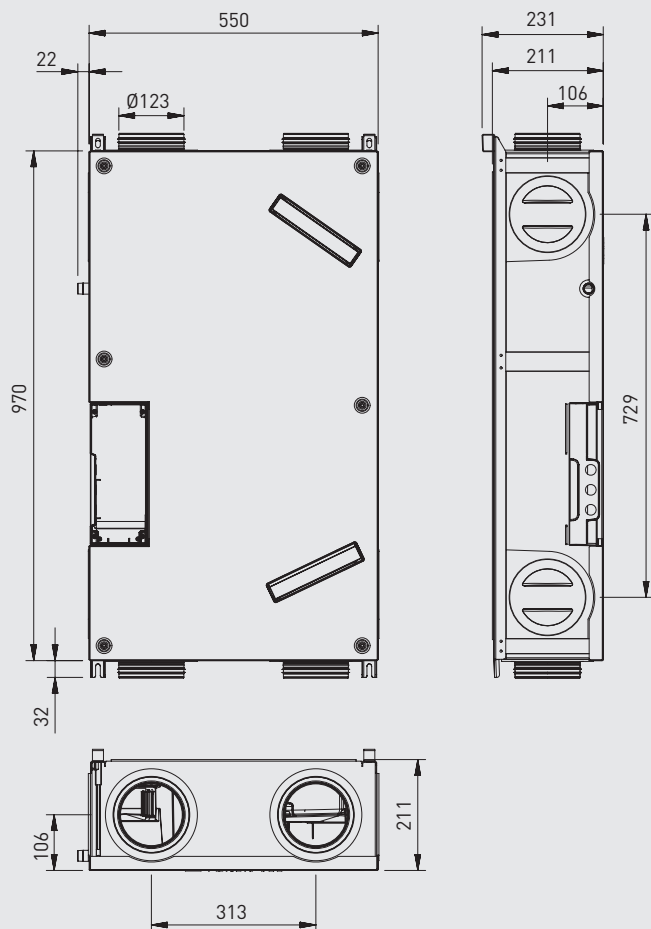


ALTAIR

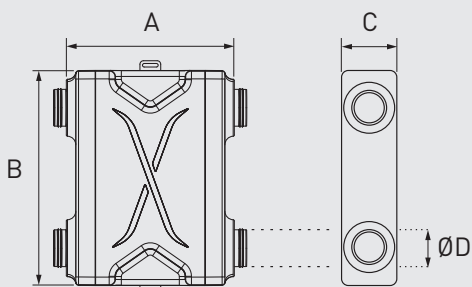


ALTAIR

ALTAIR 160 H

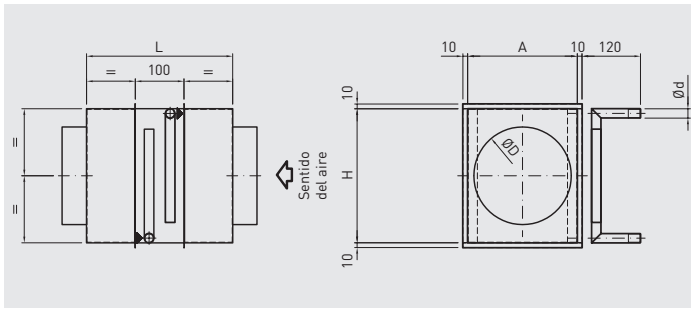


AXB



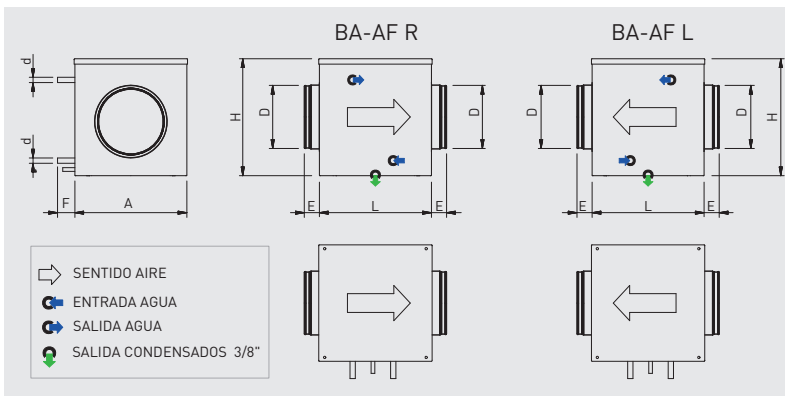
| Modelo | AXB 100 | AXB 125 |
|--------|---------|---------|
| A | 430 | 430 |
| B | 550 | 550 |
| C | 200 | 200 |
| D | 95 | 125 |

BA-AC-N



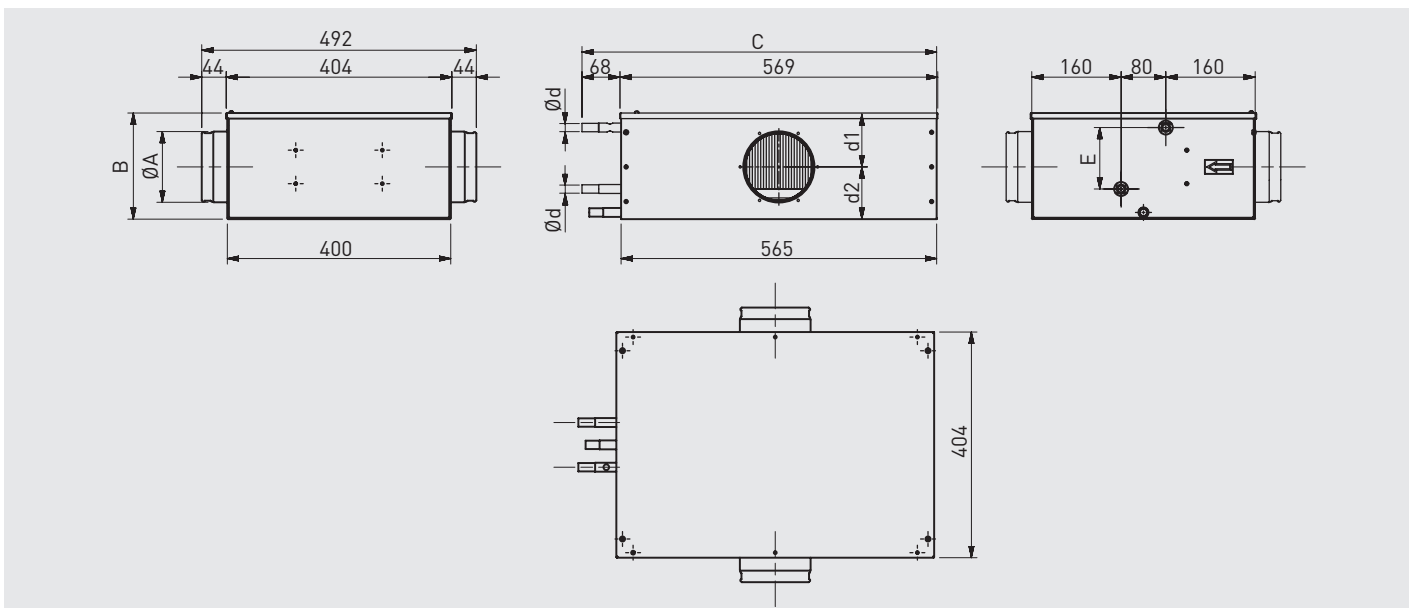
| Modelo | A | ØD | H | L | Ød |
|----------------|------|-----|-----|-----|----|
| BA-AC-N 200 | 225 | 200 | 275 | 300 | 19 |
| BA-AC-N 250 | 350 | 250 | 275 | 300 | 19 |
| BA-AC-N 315 | 340 | 315 | 425 | 350 | 22 |
| BA-AC-N 355/18 | 475 | 355 | 425 | 350 | 28 |
| BA-AC-N 355/23 | 550 | 355 | 450 | 400 | 28 |
| BA-AC-N 400 | 695 | 400 | 450 | 550 | 28 |
| BA-AC-N 450 | 870 | 450 | 525 | 600 | 35 |
| BA-AC-N 500 | 990 | 500 | 575 | 700 | 35 |
| BA-AC-N 630 | 1105 | 630 | 750 | 700 | 42 |

BA-AF



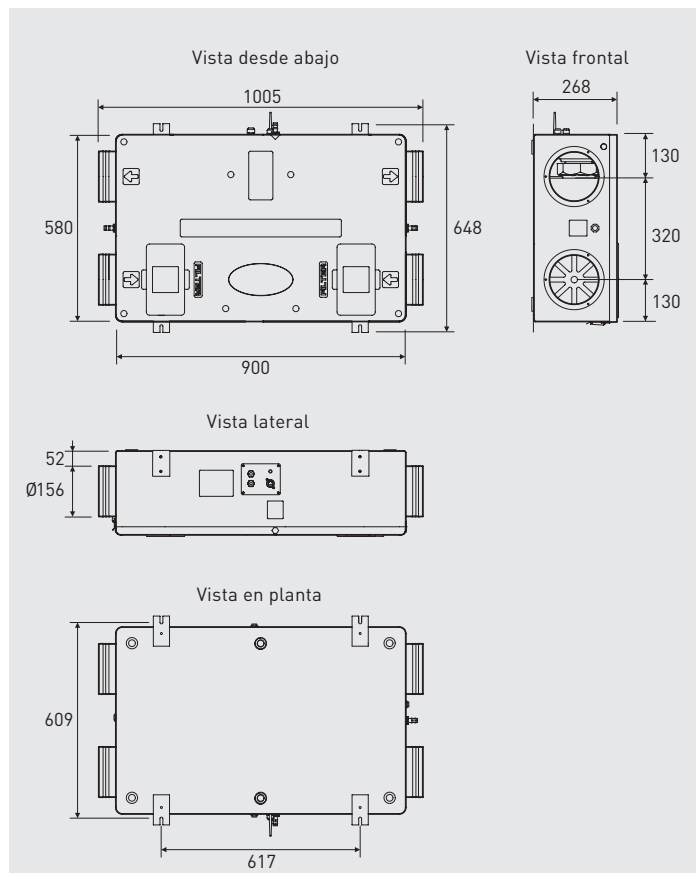
| Modelo | A | ØD | E | F | H | L | Ød |
|----------------|------|-----|----|----|-----|-----|--------|
| BA-AF 200 L | 360 | 200 | 46 | 60 | 360 | 400 | 3/4" |
| BA-AF 200 R | 360 | 200 | 46 | 60 | 360 | 400 | 3/4" |
| BA-AF 250 L | 525 | 250 | 64 | 60 | 360 | 400 | 1" |
| BA-AF 250 R | 525 | 250 | 64 | 60 | 360 | 400 | 1" |
| BA-AF 315 L | 475 | 315 | 64 | 60 | 500 | 500 | 1" |
| BA-AF 315 R | 475 | 315 | 64 | 60 | 500 | 500 | 1" |
| BA-AF 355/18 L | 650 | 355 | 64 | 60 | 500 | 550 | 1" |
| BA-AF 355/18 R | 650 | 355 | 64 | 60 | 500 | 550 | 1" |
| BA-AF 355/23 L | 725 | 355 | 64 | 60 | 530 | 600 | 1" |
| BA-AF 355/23 R | 725 | 355 | 64 | 60 | 530 | 600 | 1" |
| BA-AF 400 L | 875 | 400 | 64 | 55 | 530 | 700 | 1" |
| BA-AF 400 R | 875 | 400 | 64 | 55 | 530 | 700 | 1" |
| BA-AF 450 L | 1050 | 450 | 63 | 55 | 601 | 750 | 1 1/4" |
| BA-AF 450 R | 1050 | 450 | 63 | 55 | 601 | 750 | 1 1/4" |
| BA-AF 500 L | 1175 | 500 | 63 | 50 | 651 | 800 | 1 1/4" |
| BA-AF 500 R | 1175 | 500 | 63 | 50 | 651 | 800 | 1 1/4" |
| BA-AF 630 L | 1300 | 630 | 63 | 40 | 821 | 800 | 1 1/2" |
| BA-AF 630 R | 1300 | 630 | 63 | 40 | 821 | 800 | 1 1/2" |

BAFR

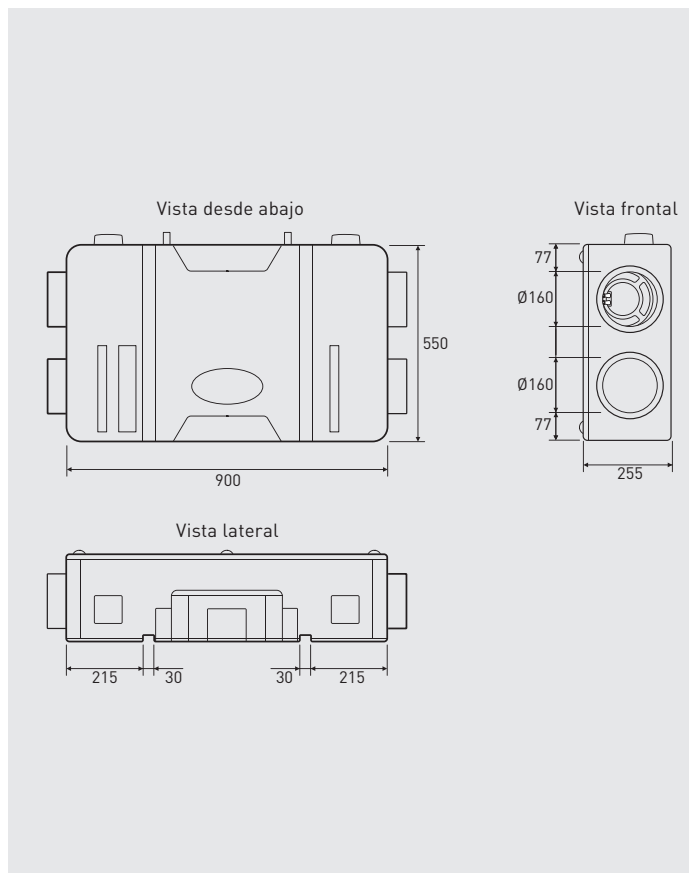


| Modelo | ØA | B | C | d1 | d2 | E | Ød |
|-----------|-----|-----|-----|-----|-----|-----|------|
| BAFR 125L | 127 | 190 | 637 | 94 | 94 | 110 | 3/8" |
| BAFR 125R | 127 | 190 | 637 | 94 | 94 | 110 | 3/8" |
| BAFR 160L | 162 | 240 | 637 | 120 | 118 | 160 | 3/8" |
| BAFR 160R | 162 | 240 | 637 | 120 | 118 | 160 | 3/8" |

BR 25

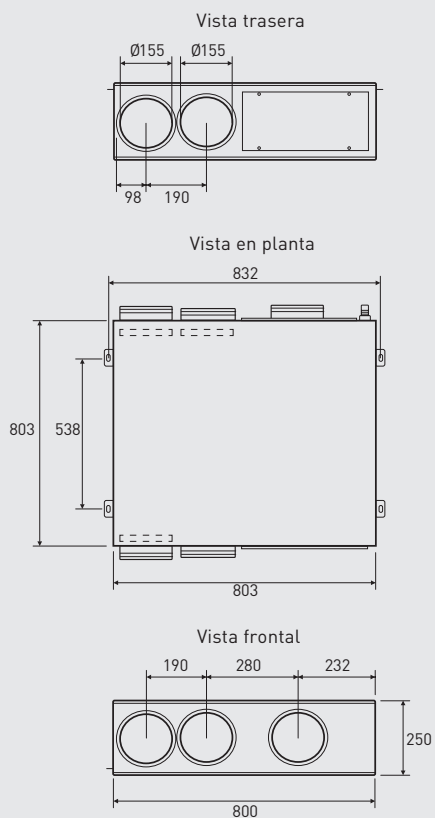


BR 25 BASIC

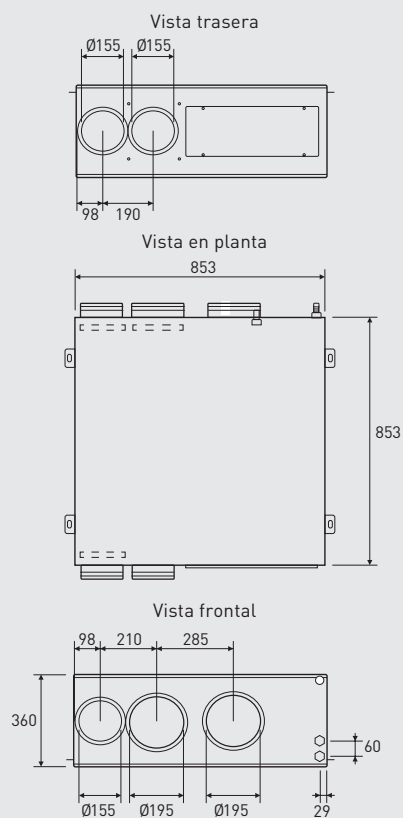


BR DH

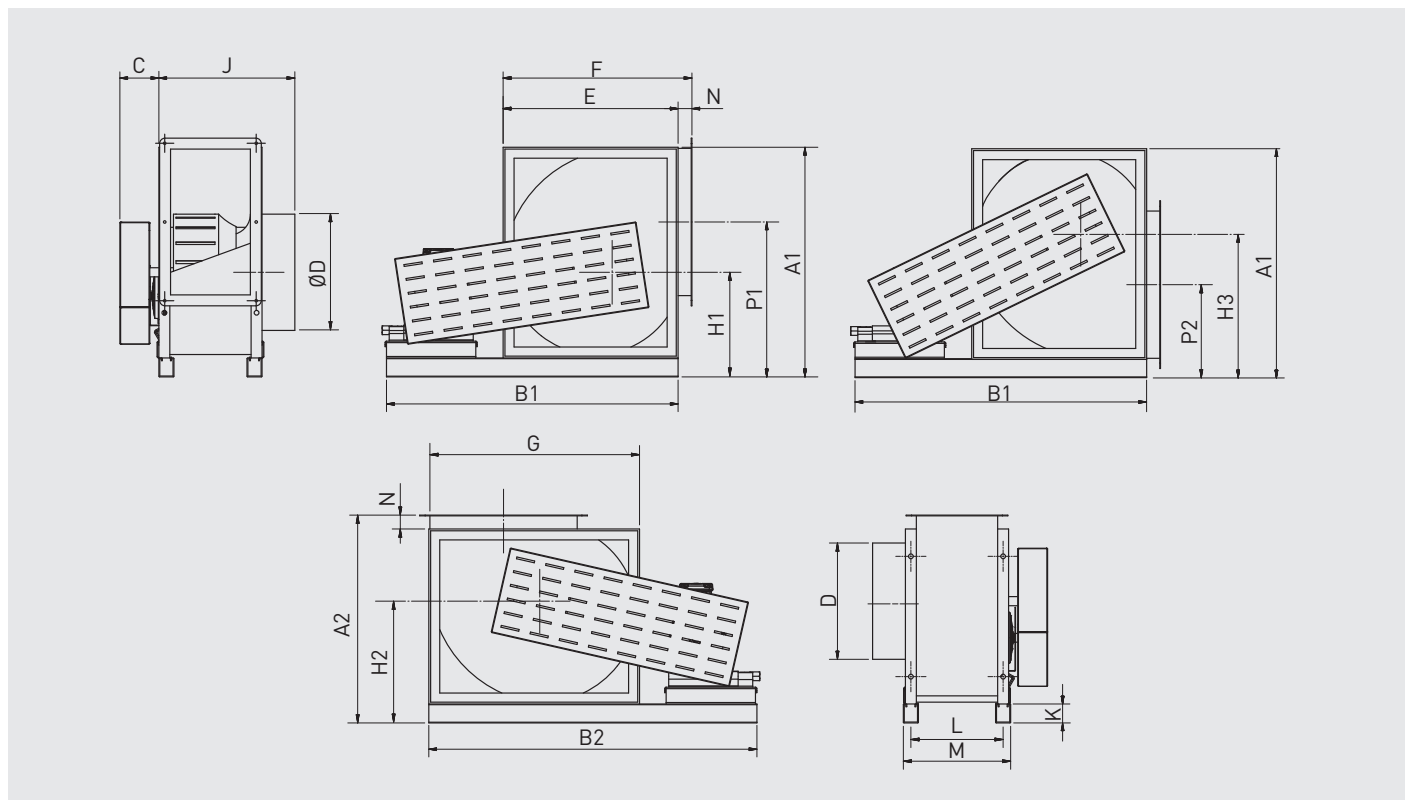
BR DH 150



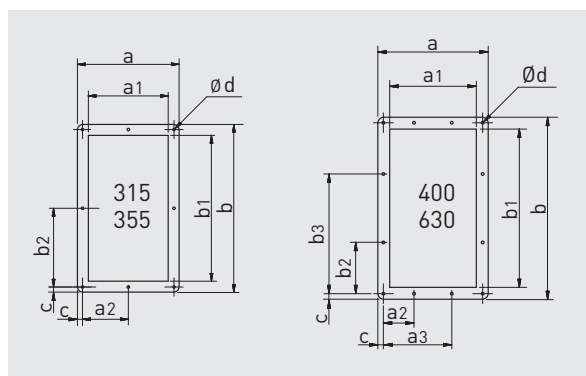
BR DH 250



BSP

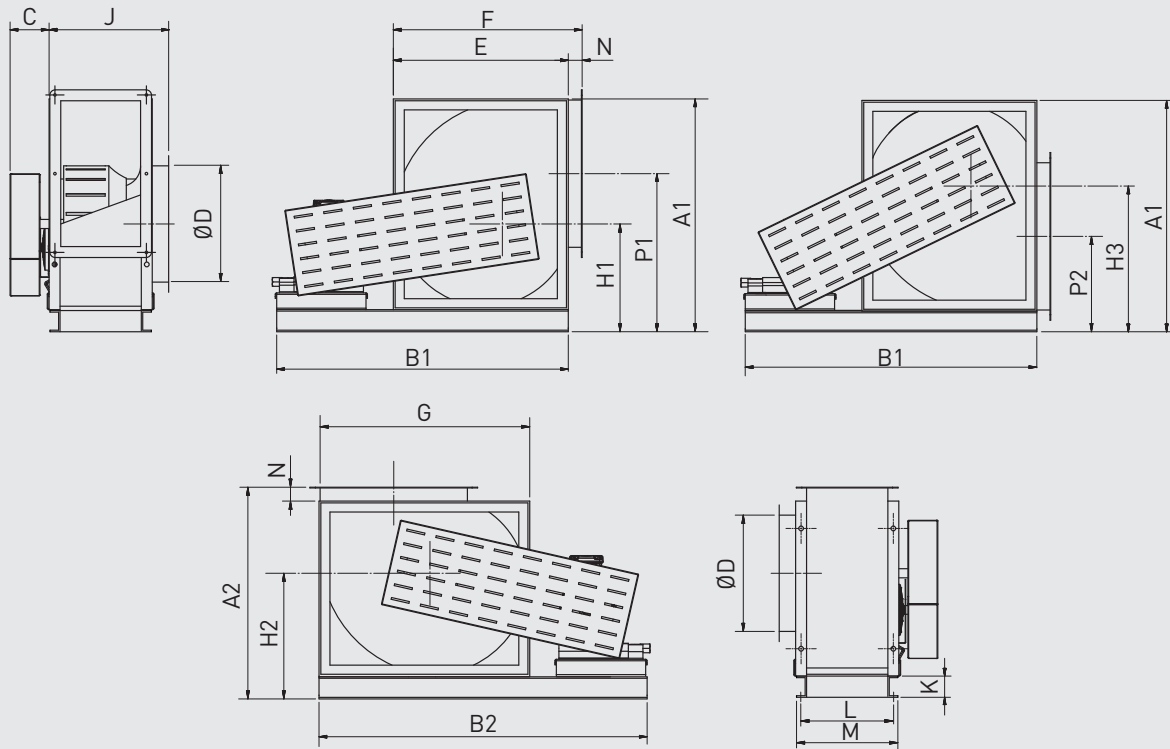


| Modelo | A1 | A2 | B1 | B2 | C min C max | | D | E | F | G | H1 | H2 | H3 | J | K | L | M | N | P1 | P2 |
|--------|------|------|------|------|-------------|-----|-----|-----|-----|------|-----|-----|-----|-----|----|-----|-----|----|-----|-----|
| | | | | | (+/- 15 mm) | | | | | | | | | | | | | | | |
| 315 | 630 | 570 | 900 | 1000 | 120 | 200 | 315 | 480 | 518 | 578 | 287 | 334 | 395 | 373 | 52 | 253 | 283 | 38 | 431 | 257 |
| 355 | 706 | 630 | 1000 | 1100 | 120 | 200 | 355 | 548 | 578 | 654 | 317 | 370 | 441 | 407 | 52 | 287 | 327 | 30 | 486 | 284 |
| 400 | 788 | 702 | 1000 | 1100 | 120 | 200 | 400 | 612 | 650 | 736 | 351 | 412 | 489 | 434 | 52 | 314 | 354 | 38 | 540 | 310 |
| 450 | 879 | 778 | 1100 | 1200 | 120 | 200 | 450 | 681 | 726 | 827 | 388 | 456 | 543 | 468 | 52 | 348 | 388 | 45 | 600 | 341 |
| 500 | 970 | 852 | 1200 | 1300 | 120 | 200 | 500 | 750 | 800 | 918 | 427 | 500 | 595 | 505 | 52 | 385 | 425 | 50 | 656 | 376 |
| 560 | 1082 | 944 | 1300 | 1400 | 120 | 200 | 560 | 844 | 892 | 1030 | 472 | 554 | 662 | 553 | 52 | 433 | 483 | 48 | 732 | 416 |
| 630 | 1209 | 1050 | 1400 | 1600 | 120 | 200 | 630 | 945 | 998 | 1157 | 524 | 616 | 737 | 603 | 52 | 483 | 533 | 53 | 815 | 458 |

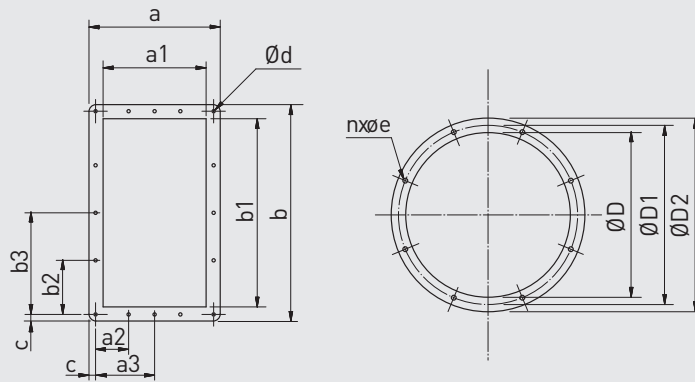


| Modelo | a | a1 | a2 | a3 | b | b1 | b2 | b3 | c | d |
|--------|-----|-----|-----|-----|-----|-----|-----|-----|----|---|
| 315 | 279 | 221 | 127 | - | 460 | 404 | 217 | - | 13 | 9 |
| 355 | 303 | 245 | 139 | - | 508 | 452 | 241 | - | 13 | 9 |
| 400 | 333 | 272 | 91 | 216 | 562 | 506 | 168 | 368 | 13 | 9 |
| 450 | 364 | 306 | 108 | 230 | 624 | 568 | 199 | 399 | 13 | 9 |
| 500 | 401 | 343 | 113 | 262 | 694 | 638 | 209 | 459 | 13 | 9 |
| 560 | 439 | 381 | 132 | 281 | 770 | 714 | 247 | 497 | 13 | 9 |
| 630 | 489 | 431 | 143 | 320 | 856 | 800 | 265 | 565 | 13 | 9 |

BSP

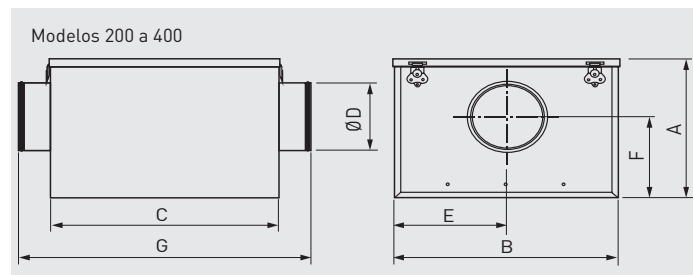
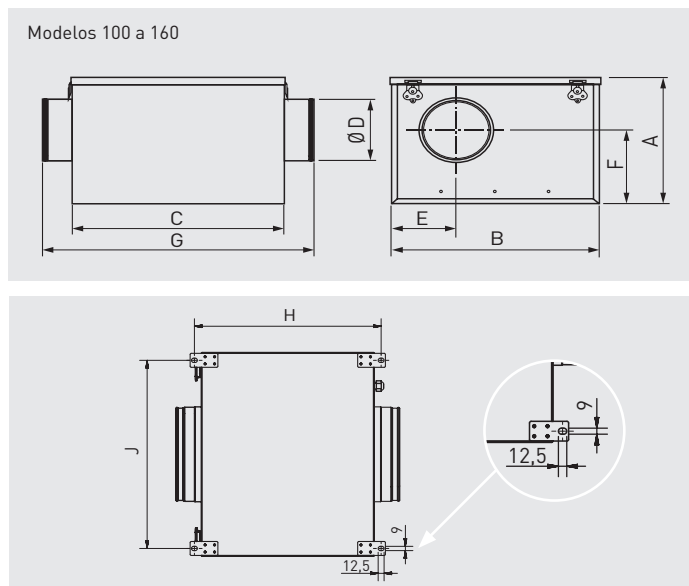


| Modelo | A1 | A2 | B1 | B2 | C min C max | | D | E | F | G | H1 | H2 | H3 | J | K | L | M | N | P1 | P2 |
|--------|------|------|------|------|-------------|-----|------|------|------|------|-----|-----|------|-----|----|-----|-----|----|------|-----|
| | | | | | (+/- 15 mm) | | | | | | | | | | | | | | | |
| 710 | 1382 | 1200 | 1600 | 1800 | 120 | 200 | 710 | 1057 | 1120 | 1302 | 610 | 716 | 852 | 649 | 80 | 529 | 579 | 63 | 940 | 536 |
| 800 | 1548 | 1334 | 1700 | 2000 | 120 | 200 | 800 | 1180 | 1254 | 1468 | 679 | 794 | 949 | 703 | 80 | 583 | 633 | 74 | 1052 | 590 |
| 900 | 1728 | 1488 | 1850 | 2150 | 120 | 200 | 900 | 1319 | 1408 | 1648 | 750 | 884 | 1058 | 765 | 80 | 645 | 695 | 89 | 1170 | 652 |
| 1000 | 1890 | 1620 | 1950 | 2350 | 120 | 200 | 1000 | 1450 | 1540 | 1810 | 815 | 964 | 1155 | 833 | 80 | 713 | 763 | 90 | 1266 | 722 |



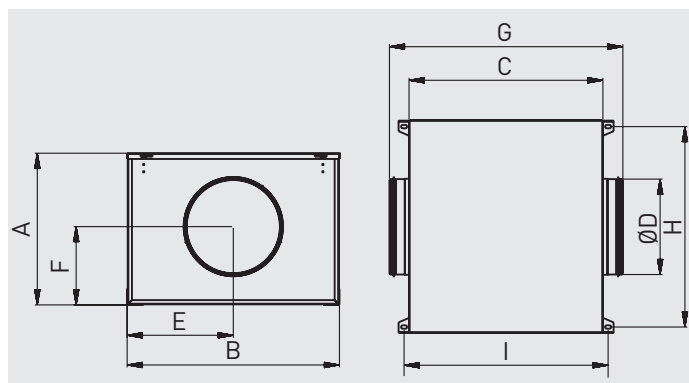
| Modelo | a | a1 | a2 | a3 | b | b1 | b2 | b3 | c | d | D | D1 | D2 | n x e |
|--------|-----|-----|-----|-----|------|------|-----|-----|----|---|------|------|------|-------|
| 710 | 535 | 477 | 141 | 255 | 954 | 898 | 264 | 464 | 13 | 9 | 710 | 751 | 796 | 8x10 |
| 800 | 589 | 531 | 142 | 282 | 1062 | 1006 | 268 | 518 | 13 | 9 | 800 | 837 | 886 | 12x12 |
| 900 | 651 | 593 | 147 | 313 | 1186 | 1130 | 280 | 580 | 13 | 9 | 900 | 934 | 986 | 12x12 |
| 1000 | 719 | 661 | 156 | 347 | 1322 | 1266 | 298 | 648 | 13 | 9 | 1000 | 1046 | 1086 | 12x12 |

CAB



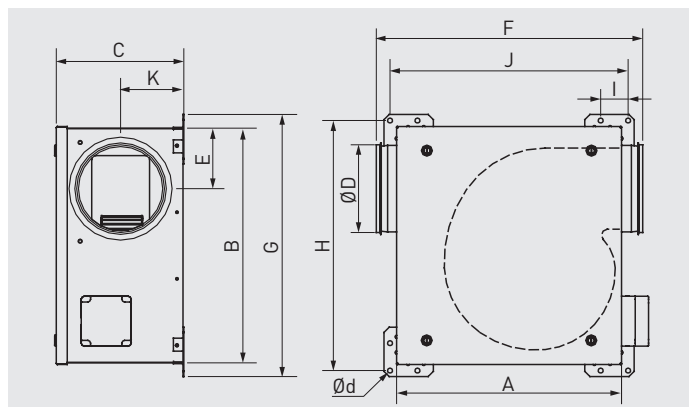
| Modelo | A | B | C | ØD | E | F | G | H | J |
|------------|-----|-----|-----|-----|-----|-----|-----|-----|-----|
| CAB-100 | 273 | 388 | 395 | 100 | 125 | 162 | 505 | 424 | 355 |
| CAB-125 | 273 | 388 | 395 | 125 | 125 | 162 | 505 | 424 | 355 |
| CAB-150 | 273 | 388 | 395 | 150 | 143 | 162 | 505 | 424 | 355 |
| CAB-160 | 273 | 388 | 395 | 160 | 143 | 162 | 505 | 424 | 355 |
| CAB-200 | 328 | 430 | 365 | 200 | 216 | 210 | 475 | 394 | 397 |
| CAB-250N | 383 | 525 | 450 | 250 | 263 | 237 | 560 | 479 | 492 |
| CAB-315 RE | 443 | 600 | 505 | 315 | 301 | 264 | 615 | 534 | 567 |
| CAB-355 RE | 513 | 660 | 600 | 355 | 331 | 292 | 710 | 629 | 627 |
| CAB-400 RE | 513 | 660 | 600 | 400 | 331 | 292 | 710 | 629 | 627 |

CAB-B



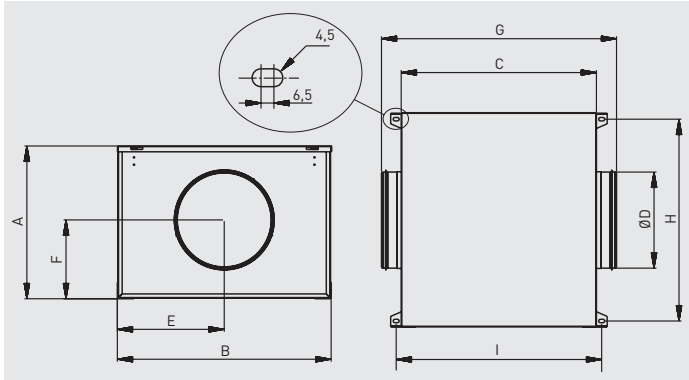
| Modelo | A | B | C | D | E | F | G | H | I |
|----------|-----|-----|-----|-----|-----|-----|-----|-----|-----|
| CAB-125B | 316 | 420 | 386 | 125 | 210 | 163 | 433 | 389 | 412 |
| CAB-150B | 334 | 447 | 415 | 150 | 224 | 174 | 517 | 416 | 441 |
| CAB-160B | 334 | 447 | 415 | 160 | 224 | 174 | 517 | 416 | 441 |
| CAB-200B | 375 | 510 | 468 | 200 | 255 | 193 | 570 | 479 | 494 |
| CAB-250B | 395 | 553 | 505 | 250 | 277 | 204 | 608 | 522 | 535 |

CAB-PLUS



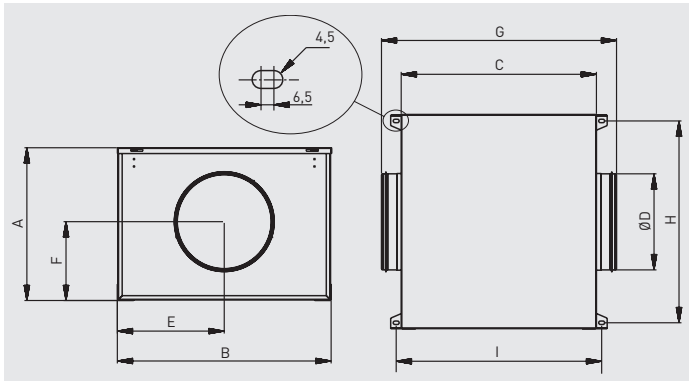
| Modelo | A | B | C | D | E | F | G | H | I | J | K | d |
|---------------|-----|-----|-----|-----|-----|-----|-----|-----|----|-----|-----|---|
| CAB-PLUS 125 | 330 | 345 | 255 | 125 | 96 | 411 | 395 | 373 | 50 | 358 | 126 | 9 |
| CAB-PLUS 160 | 406 | 468 | 277 | 160 | 123 | 486 | 518 | 496 | 50 | 434 | 134 | 9 |
| CAB-PLUS 250N | 494 | 494 | 382 | 250 | 160 | 607 | 540 | 518 | 50 | 516 | 185 | 9 |
| CAB-PLUS 315 | 537 | 544 | 393 | 315 | 190 | 638 | 594 | 572 | 50 | 565 | 176 | 9 |

CAB ECOWATT



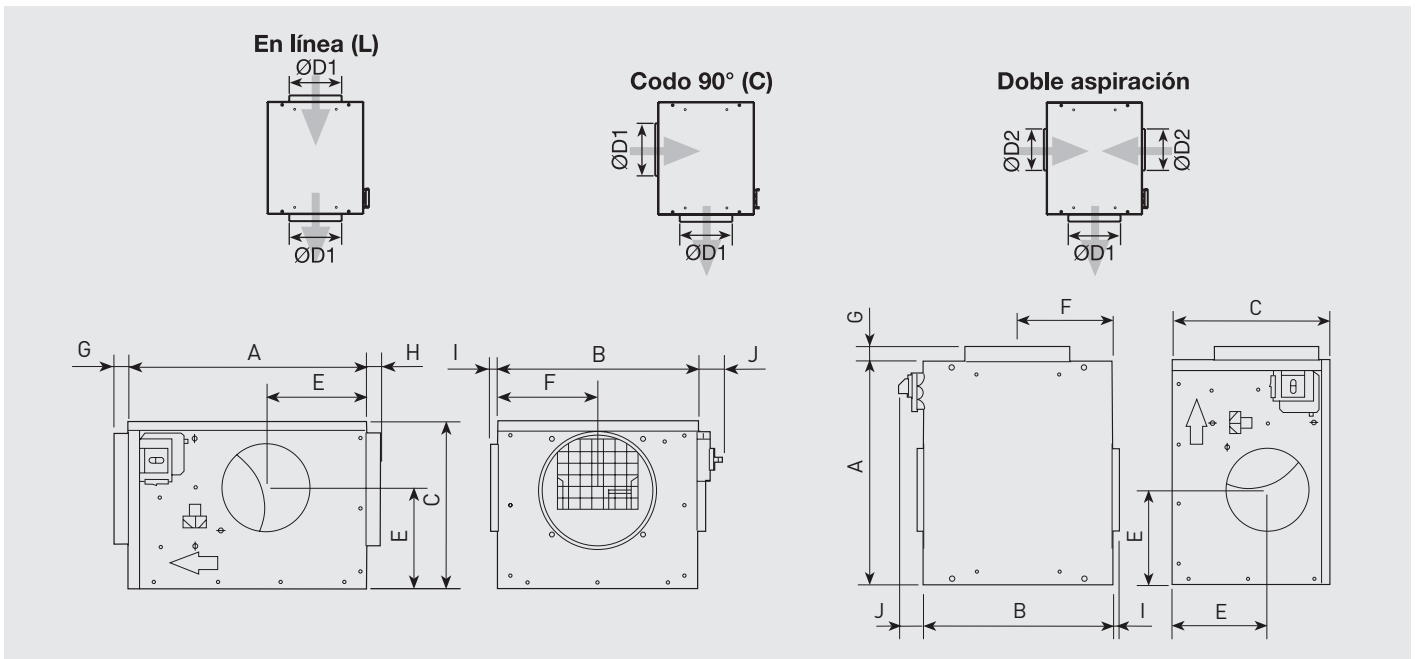
| Modelo | A | B | C | D | E | F | G | H | I |
|-----------------|-----|-----|-----|-----|-----|-----|-----|-----|-----|
| CAB-125 ECOWATT | 316 | 420 | 386 | 125 | 210 | 163 | 433 | 389 | 412 |
| CAB-150 ECOWATT | 334 | 447 | 415 | 150 | 224 | 174 | 517 | 416 | 441 |
| CAB-160 ECOWATT | 334 | 447 | 415 | 160 | 224 | 174 | 517 | 416 | 441 |
| CAB-200 ECOWATT | 375 | 510 | 468 | 200 | 255 | 193 | 570 | 479 | 494 |
| CAB-250 ECOWATT | 395 | 553 | 505 | 250 | 277 | 204 | 608 | 522 | 535 |
| CAB-315 ECOWATT | 441 | 609 | 555 | 315 | 305 | 221 | 659 | 585 | 580 |
| CAB-355 ECOWATT | 501 | 699 | 578 | 355 | 350 | 251 | 682 | 668 | 606 |
| CAB-400 ECOWATT | 501 | 699 | 578 | 400 | 350 | 251 | 682 | 668 | 606 |

CAB ECOWATT PLUS



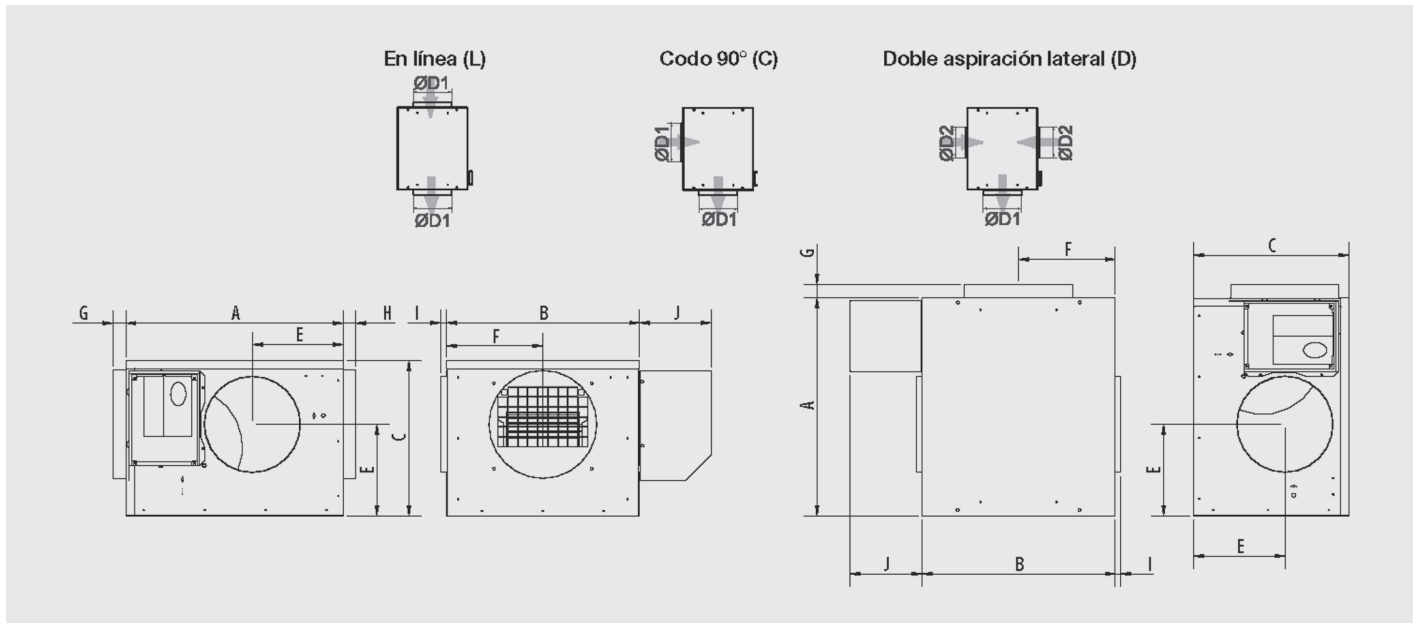
| Modelo | A | B | C | D | E | F | G | H | I |
|----------------------|-----|-----|-----|-----|-----|-----|-----|-----|-----|
| CAB-125 ECOWATT PLUS | 316 | 420 | 386 | 125 | 210 | 163 | 433 | 389 | 412 |
| CAB-150 ECOWATT PLUS | 334 | 447 | 415 | 150 | 224 | 174 | 517 | 416 | 441 |
| CAB-160 ECOWATT PLUS | 334 | 447 | 415 | 160 | 224 | 174 | 517 | 416 | 441 |
| CAB-200 ECOWATT PLUS | 375 | 510 | 468 | 200 | 255 | 193 | 570 | 479 | 494 |
| CAB-250 ECOWATT PLUS | 395 | 553 | 505 | 250 | 277 | 204 | 608 | 522 | 535 |
| CAB-315 ECOWATT PLUS | 441 | 609 | 555 | 315 | 305 | 221 | 659 | 585 | 580 |
| CAB-355 ECOWATT PLUS | 501 | 699 | 578 | 355 | 350 | 251 | 682 | 668 | 606 |
| CAB-400 ECOWATT PLUS | 501 | 699 | 578 | 400 | 350 | 251 | 682 | 668 | 606 |

CACB-N



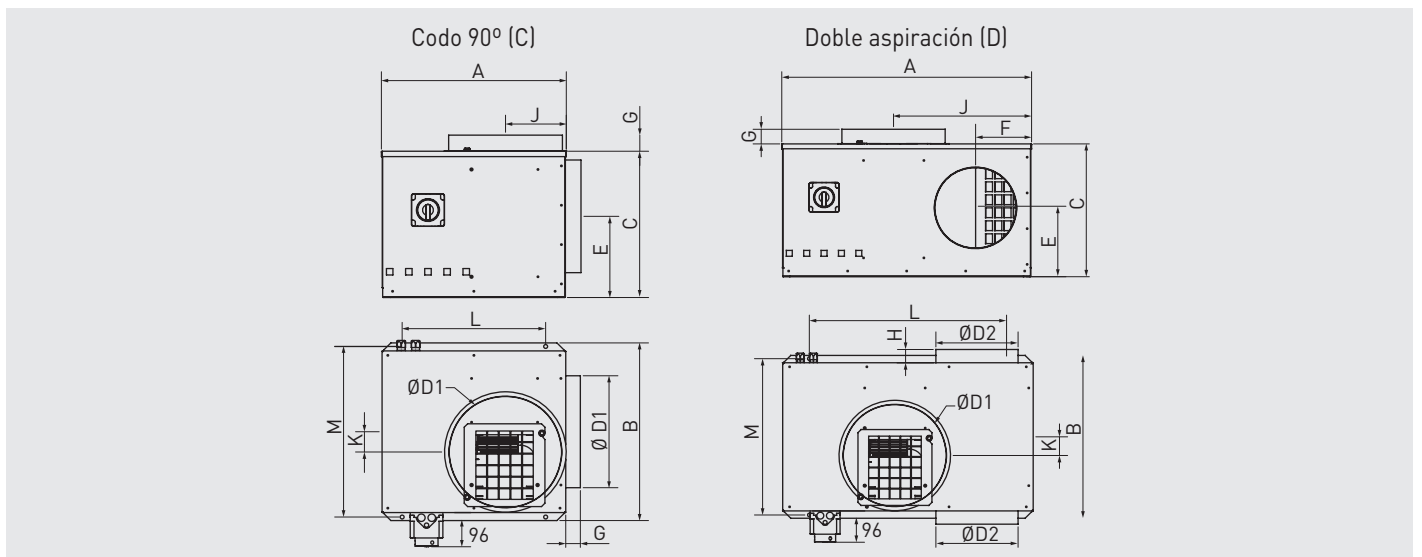
| Modelo | A | B | C | E | F | G | H | I | J | Ø conexión | |
|------------|-----|-----|-----|-----|-----|----|----|----|----|------------|-----|
| | | | | | | | | | | D1 | D2 |
| CACB-N 005 | 550 | 504 | 300 | 130 | 148 | 58 | 53 | 32 | 69 | 200 | 160 |
| CACB-N 008 | 600 | 504 | 400 | 185 | 181 | 58 | 53 | 32 | 69 | 250 | 200 |

CACB-N ECOWATT



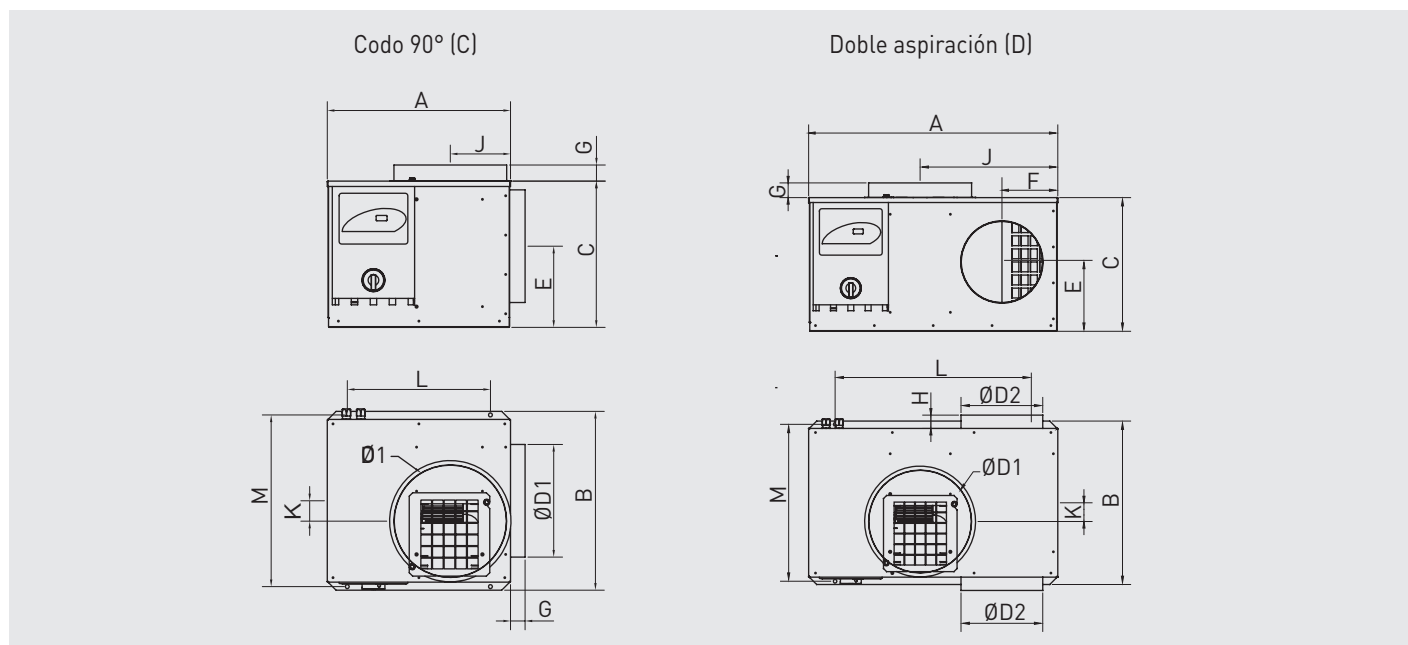
| Modelo | Modelo | Dimensiones | | | | | | | | | Ø conexión | |
|------------------|--------------------|-------------|-----|-----|-----|-----|----|----|----|-----|------------|-----|
| Versión Standard | Versión Aislada | A | B | C | E | F | G | H | I | J | D1 | D2 |
| CACB-N ECO 005 | CACB-N ECO 005-ISO | 550 | 504 | 300 | 130 | 148 | 58 | 53 | 32 | 132 | 200 | 160 |
| CACB-N ECO 008 | CACB-N ECO 008-ISO | 600 | 504 | 400 | 185 | 181 | 58 | 53 | 32 | 132 | 250 | 200 |

CACB ECM



| Modelo | Config. | A | B | C | ØD1 | ØD2 | E | F | G | H | J | K | L | M |
|-------------|---------|-----|-----|-----|-----|-----|-----|-----|----|----|-----|----|-----|-----|
| CACB ECM 07 | C | 462 | 420 | 325 | 250 | 200 | 170 | 153 | 45 | 43 | 136 | 50 | 375 | 400 |
| | D | 682 | 420 | 325 | 250 | | 175 | | 45 | | 354 | 51 | 600 | 400 |
| CACB ECM 12 | C | 462 | 445 | 380 | 250 | 200 | 192 | 153 | 60 | 35 | 140 | 61 | 375 | 425 |
| | D | 682 | 445 | 380 | 250 | | 212 | | 60 | | 168 | 57 | 400 | 480 |
| CACB ECM 15 | C | 512 | 500 | 410 | 315 | 250 | 227 | 171 | 60 | 35 | 168 | 57 | 400 | 480 |
| | D | 762 | 500 | 410 | 315 | | 212 | | 60 | | 421 | 57 | 600 | 480 |
| CACB ECM 21 | C | 512 | 500 | 410 | 315 | 250 | 227 | 171 | 60 | 35 | 168 | 57 | 400 | 480 |
| | D | 762 | 500 | 410 | 315 | | 212 | | 60 | | 421 | 57 | 600 | 480 |
| CACB ECM 27 | C | 575 | 595 | 500 | 400 | 355 | 250 | 228 | 80 | 43 | 217 | 55 | 400 | 575 |
| | D | 900 | 595 | 500 | 400 | | 250 | | 80 | | 545 | 53 | 800 | 575 |

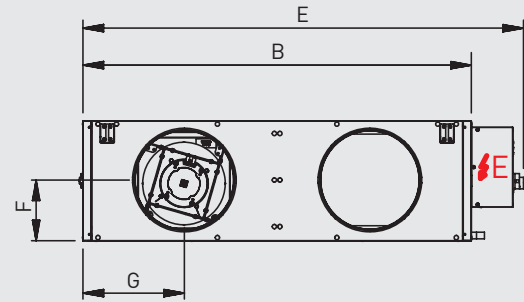
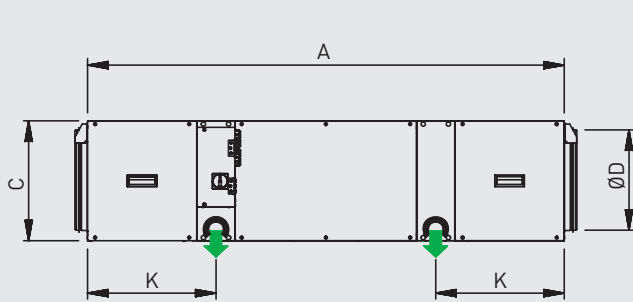
CACB N ECM ECO



| Modelo | Config. | A | B | C | ØD1 | ØD2 | E | F | G | H | J | K | L | M |
|--------------------|---------|-----|-----|-----|-----|-----|-----|-----|----|----|-----|----|-----|-----|
| CACB N ECM ECO 007 | C | 462 | 420 | 325 | 250 | 200 | 170 | 153 | 45 | 43 | 136 | 50 | 375 | 400 |
| | D | 682 | 420 | 325 | 250 | | 175 | | 45 | | 354 | 51 | 600 | 400 |
| CACB N ECM ECO 012 | C | 462 | 445 | 380 | 250 | 200 | 192 | 153 | 60 | 35 | 140 | 61 | 375 | 425 |
| | D | 682 | 445 | 380 | 250 | | 212 | | 60 | | 360 | 62 | 600 | 425 |
| CACB N ECM ECO 015 | C | 512 | 500 | 410 | 315 | 250 | 227 | 171 | 60 | 35 | 168 | 57 | 400 | 480 |
| | D | 762 | 500 | 410 | 315 | | 212 | | 60 | | 421 | 57 | 600 | 480 |
| CACB N ECM ECO 021 | C | 512 | 500 | 410 | 315 | 250 | 227 | 171 | 60 | 35 | 168 | 57 | 400 | 480 |
| | D | 762 | 500 | 410 | 315 | | 212 | | 60 | | 421 | 57 | 600 | 480 |
| CACB N ECM ECO 027 | C | 575 | 595 | 500 | 400 | 355 | 250 | 228 | 80 | 43 | 217 | 55 | 400 | 575 |
| | D | 900 | 595 | 500 | 400 | | 250 | | 80 | | 545 | 53 | 800 | 575 |

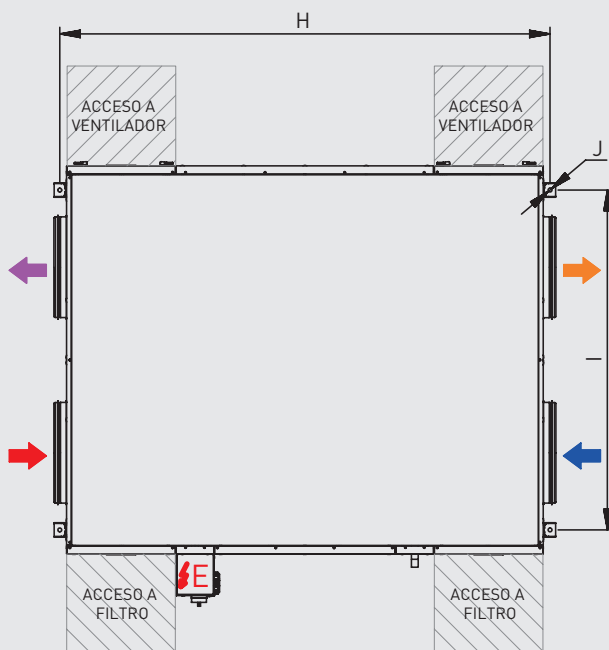
CAD-COMPACT

CAD-COMPACT 500 a 1800

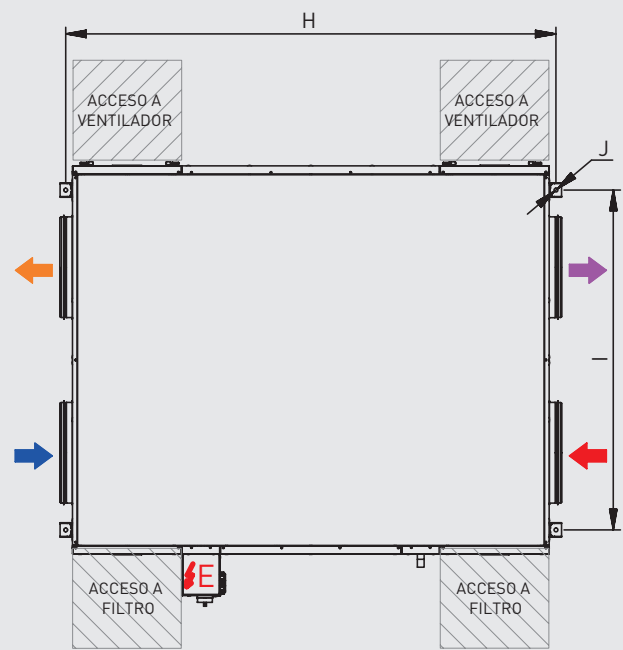


VISTA SUPERIOR

POR DEFECTO (SUMINISTRO DE FÁBRICA)



CONFIGURACION RESULTADO DE SIMPLE MODIFICACIÓN EN OBRA

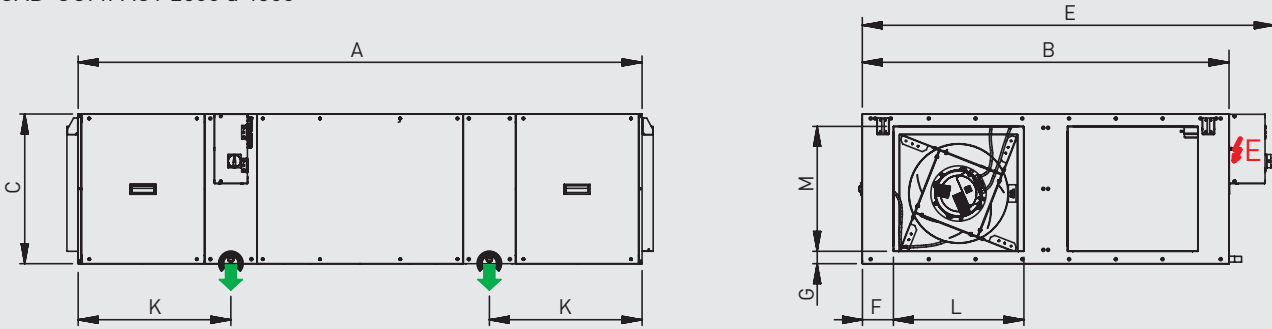


- ARMARIO ELÉCTRICO
- TOMA AIRE EXTERIOR
- IMPULSIÓN AIRE NUEVO
- EXTRACCIÓN AIRE INTERIOR
- EXPULSIÓN AIRE INTERIOR
- SALIDA CONDENSADOS 1/2"

| Modelo | A | B | C | D | E | F | G | H | I | J | K |
|-------------------------|------|------|-----|-----|------|-----|-----|------|------|----|-----|
| CAD-COMPACT 500 | 1120 | 698 | 289 | 200 | 862 | 147 | 188 | 1163 | 546 | 12 | 256 |
| CAD-COMPACT 900 | 1345 | 843 | 376 | 315 | 1007 | 190 | 225 | 1388 | 691 | 12 | 328 |
| CAD-COMPACT 1300 | 1495 | 1218 | 376 | 315 | 1382 | 190 | 318 | 1538 | 1066 | 12 | 403 |
| CAD-COMPACT 1800 | 1580 | 1083 | 453 | 355 | 1247 | 228 | 285 | 1623 | 931 | 12 | 393 |

CAD-COMPACT

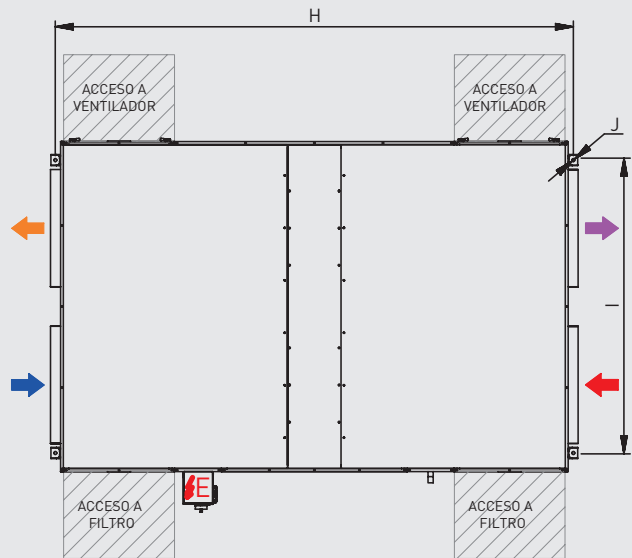
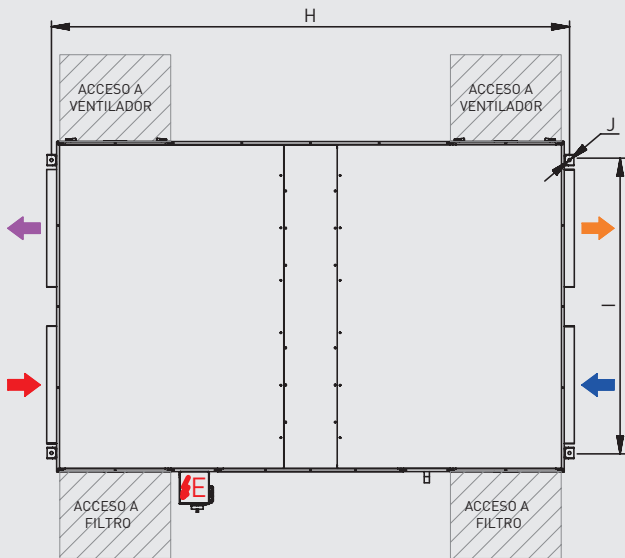
CAD-COMPACT 2500 a 4500



VISTA SUPERIOR

POR DEFECTO (SUMINISTRO DE FÁBRICA)

CONFIGURACION RESULTADO DE
SIMPLE MODIFICACIÓN EN OBRA

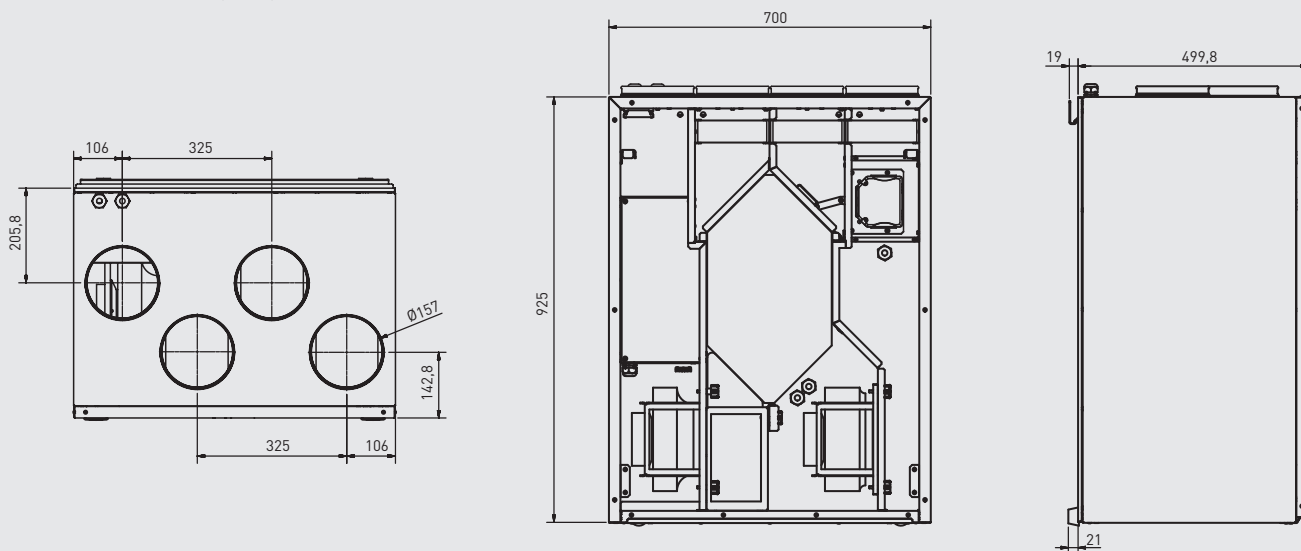


- ARMARIO ELÉCTRICO
- TOMA AIRE EXTERIOR
- IMPULSIÓN AIRE NUEVO
- EXTRACCIÓN AIRE INTERIOR
- EXPULSIÓN AIRE INTERIOR
- SALIDA CONDENSADOS 1/2"

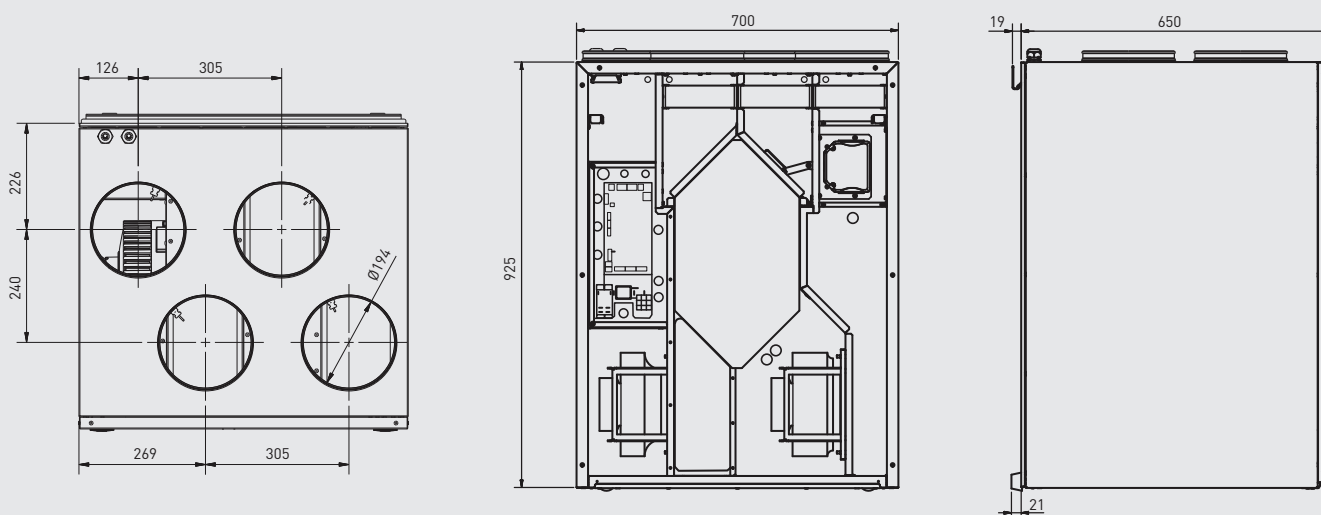
| Modelo | A | B | C | E | F | G | H | I | J | K | L | M |
|------------------|------|------|-----|------|-----|----|------|------|----|-----|-----|-----|
| CAD-COMPACT 2500 | 1845 | 1495 | 453 | 1670 | 127 | 41 | 1888 | 1343 | 17 | 385 | 570 | 375 |
| CAD-COMPACT 3200 | 2038 | 1325 | 541 | 1489 | 113 | 43 | 2081 | 1176 | 12 | 552 | 470 | 450 |
| CAD-COMPACT 4500 | 2207 | 1993 | 598 | 2156 | 165 | 79 | 2250 | 1844 | 12 | 594 | 700 | 440 |

CAD-HE EC

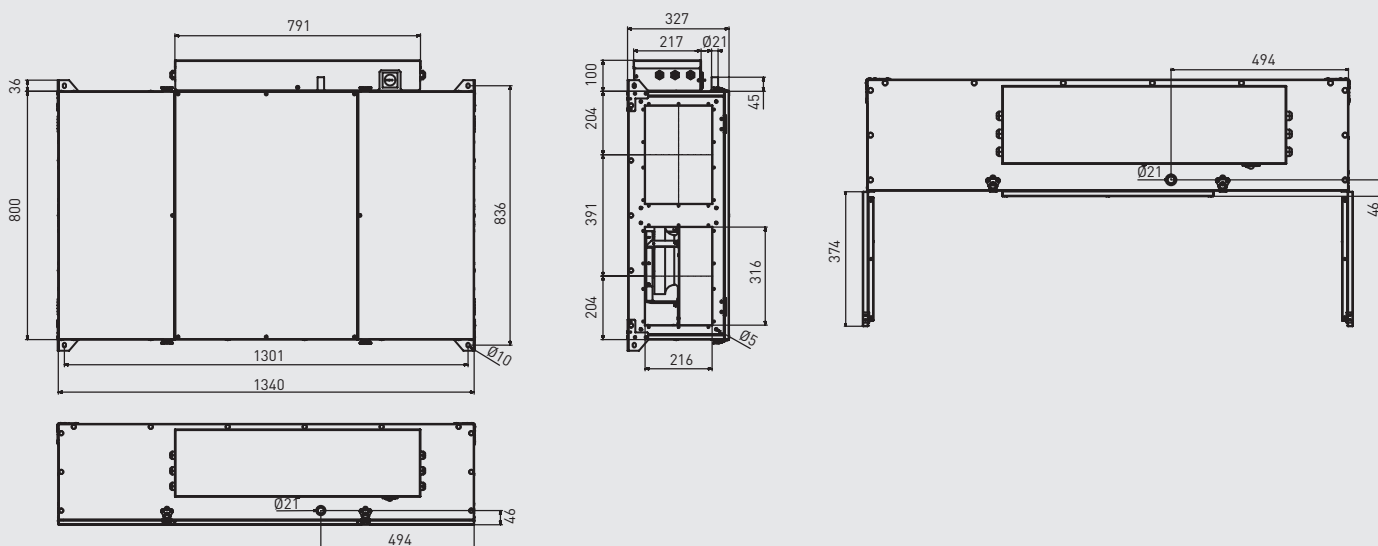
VERSIÓN VERTICAL (mm) - Modelos 325 / 450



VERSIÓN VERTICAL (mm) - Modelos 575



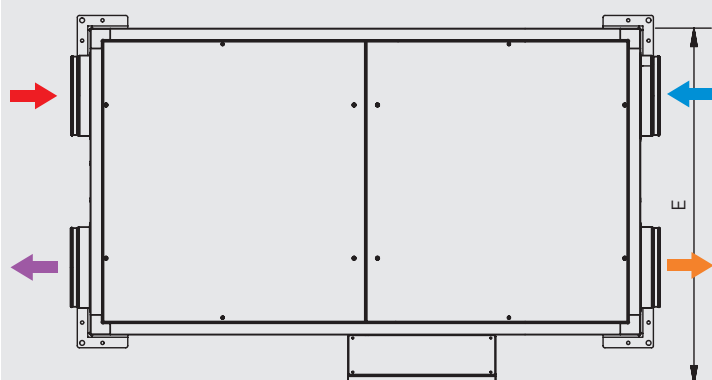
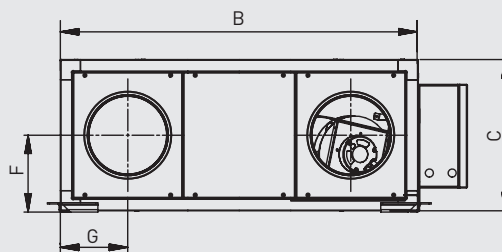
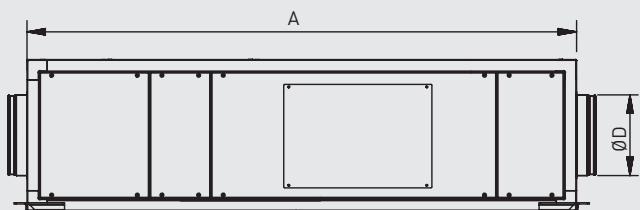
VERSIÓN HORIZONTAL (mm)



CADB/T-HE BASIC

CADB/T-HE 04 a 33 LH

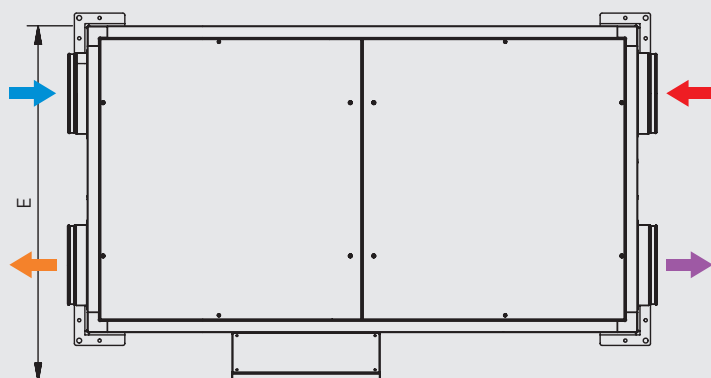
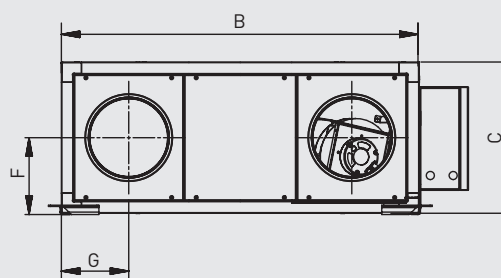
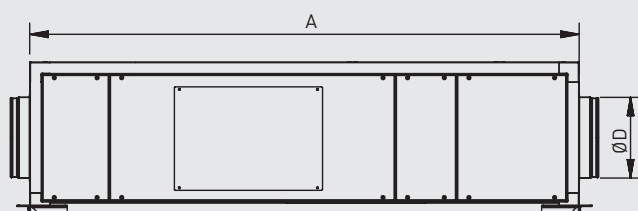
- ← TOMA AIRE EXTERIOR
- EXTRACCIÓN AIRE INTERIOR
- ← IMPULSIÓN AIRE NUEVO
- EXPULSIÓN AIRE INTERIOR



| Modelo | A | B | C | D | E | F | G |
|--------|------|------|-----|-----|------|-----|-----|
| 04 | 1520 | 760 | 375 | 200 | 885 | 187 | 167 |
| 08 | 1750 | 910 | 425 | 250 | 1035 | 212 | 198 |
| 12 | 1700 | 1050 | 425 | 315 | 1175 | 212 | 225 |
| 16 | 1950 | 1240 | 450 | 315 | 1365 | 225 | 245 |
| 21 | 2300 | 1640 | 550 | 400 | 1765 | 275 | 300 |
| 27 | 2300 | 1640 | 550 | 400 | 1765 | 275 | 300 |
| 33 | 2300 | 1640 | 650 | 400 | 1765 | 325 | 300 |

CADB/T-HE 04 a 33 RH

- ← TOMA AIRE EXTERIOR
- EXTRACCIÓN AIRE INTERIOR
- ← IMPULSIÓN AIRE NUEVO
- EXPULSIÓN AIRE INTERIOR

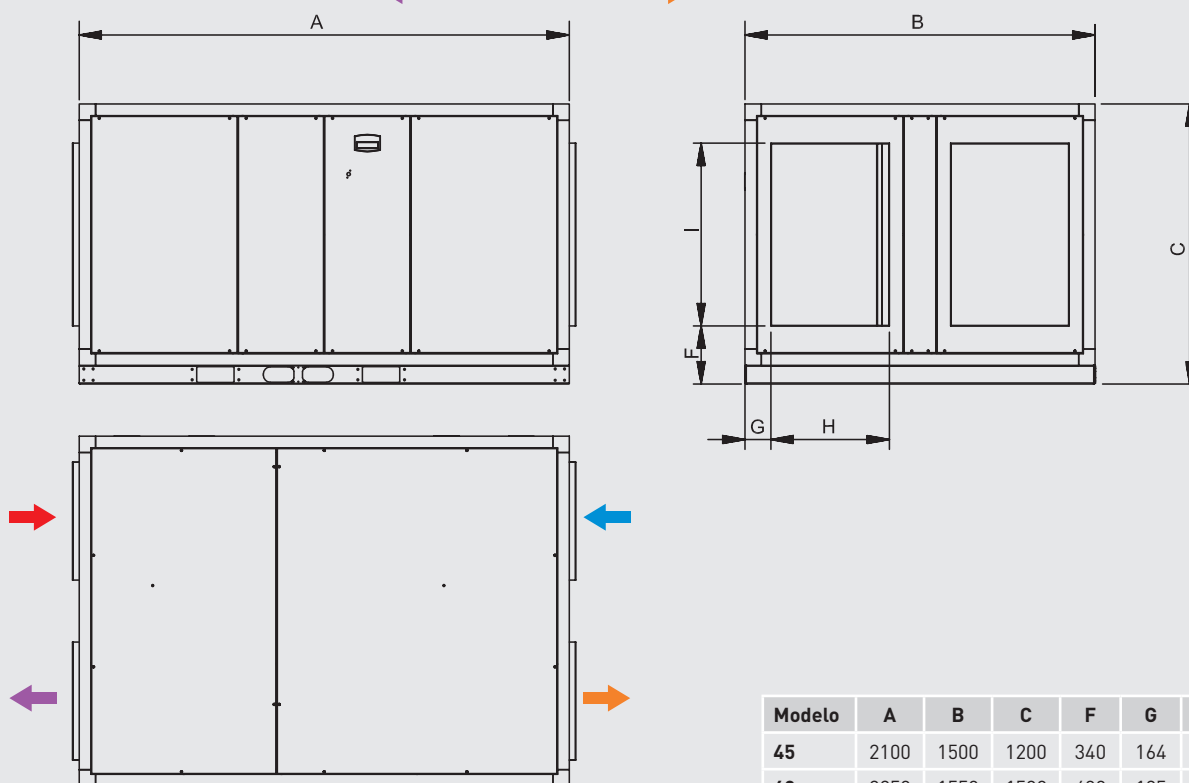


| Modelo | A | B | C | D | E | F | G |
|--------|------|------|-----|-----|------|-----|-----|
| 04 | 1520 | 760 | 375 | 200 | 885 | 187 | 167 |
| 08 | 1750 | 910 | 425 | 250 | 1035 | 212 | 198 |
| 12 | 1700 | 1050 | 425 | 315 | 1175 | 212 | 225 |
| 16 | 1950 | 1240 | 450 | 315 | 1365 | 225 | 245 |
| 21 | 2300 | 1640 | 550 | 400 | 1765 | 275 | 300 |
| 27 | 2300 | 1640 | 550 | 400 | 1765 | 275 | 300 |
| 33 | 2300 | 1640 | 650 | 400 | 1765 | 325 | 300 |

CADB/T-HE BASIC

CADT-HE 45 a 60 LH

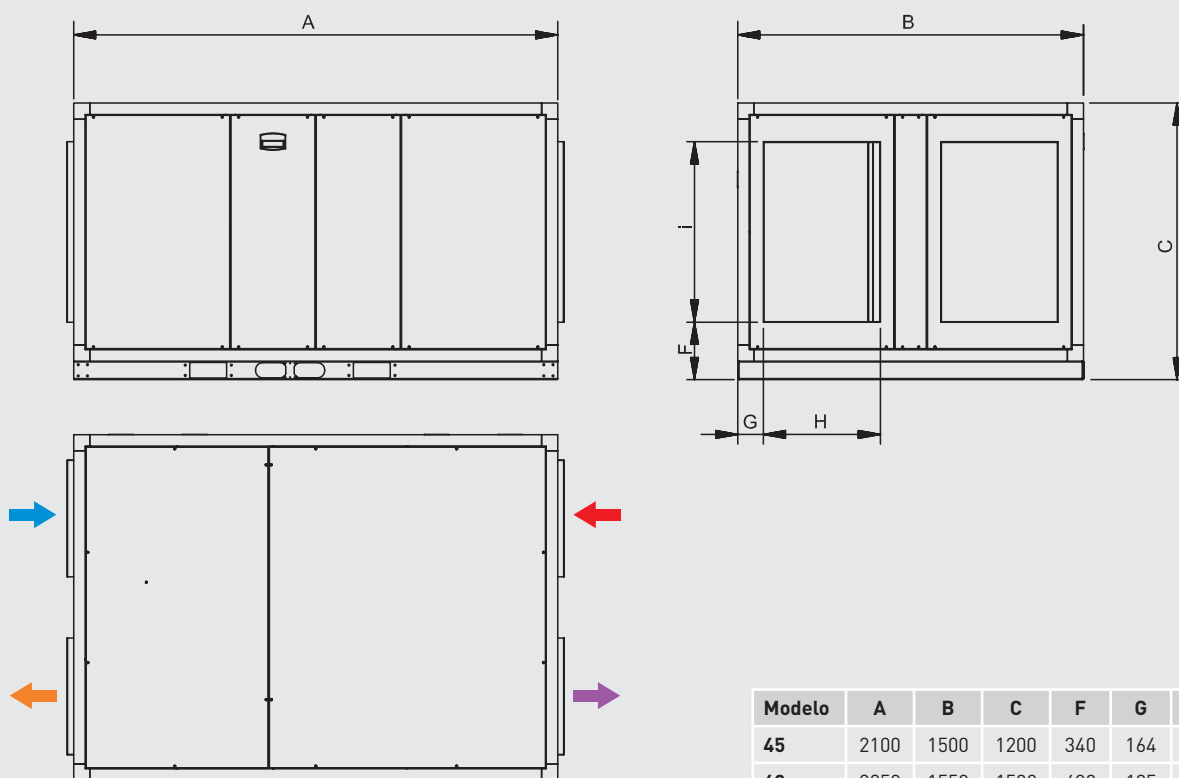
- TOMA AIRE EXTERIOR
- EXTRACCIÓN AIRE INTERIOR
- IMPULSIÓN AIRE NUEVO
- EXPULSIÓN AIRE INTERIOR



| Modelo | A | B | C | F | G | H | I |
|--------|------|------|------|-----|-----|-----|-----|
| 45 | 2100 | 1500 | 1200 | 340 | 164 | 400 | 600 |
| 60 | 2250 | 1550 | 1580 | 480 | 125 | 500 | 700 |

CADT-HE 45 a 60 RH

- TOMA AIRE EXTERIOR
- EXTRACCIÓN AIRE INTERIOR
- IMPULSIÓN AIRE NUEVO
- EXPULSIÓN AIRE INTERIOR

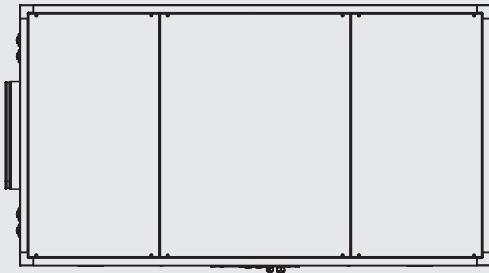
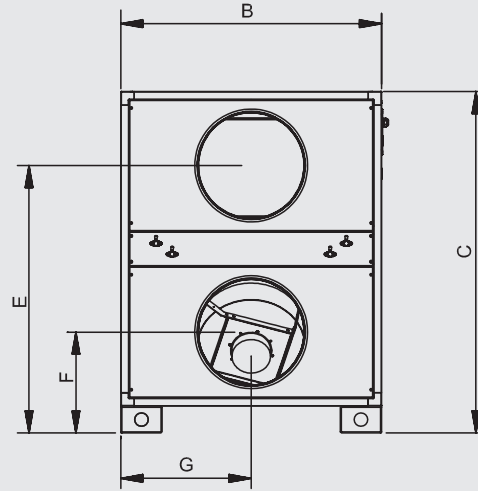
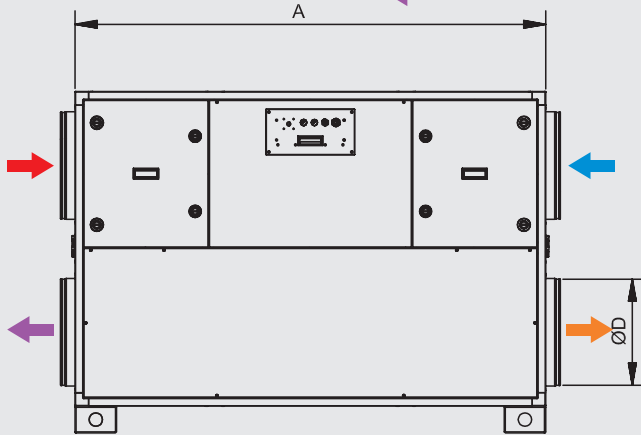


| Modelo | A | B | C | F | G | H | I |
|--------|------|------|------|-----|-----|-----|-----|
| 45 | 2100 | 1500 | 1200 | 340 | 164 | 400 | 600 |
| 60 | 2250 | 1550 | 1580 | 480 | 125 | 500 | 700 |

CADB/T-HE BASIC

CADB/T-HE 04 a 33 LV

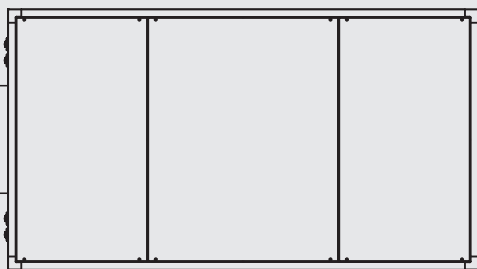
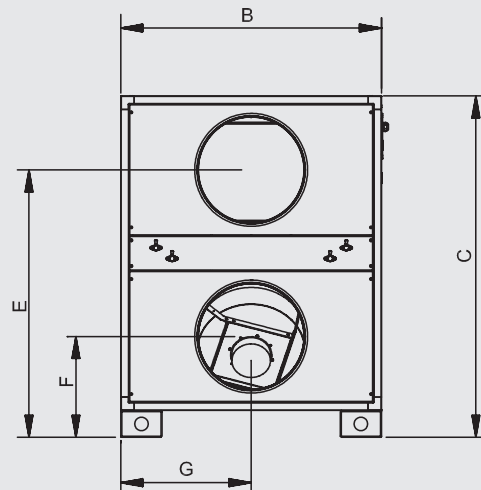
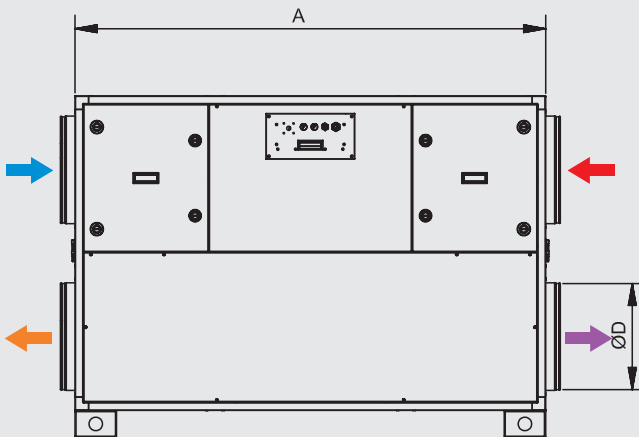
- ← TOMA AIRE EXTERIOR
- EXTRACCIÓN AIRE INTERIOR
- ← IMPULSIÓN AIRE NUEVO
- EXPULSIÓN AIRE INTERIOR



| Modelo | A | B | C | D | E | F | G |
|--------|------|------|------|-----|-----|-----|-----|
| 04 | 1125 | 540 | 920 | 200 | 732 | 287 | 270 |
| 08 | 1275 | 610 | 1020 | 250 | 808 | 312 | 305 |
| 12 | 1325 | 770 | 1020 | 315 | 808 | 312 | 385 |
| 16 | 1475 | 770 | 1070 | 315 | 845 | 325 | 385 |
| 21 | 1750 | 970 | 1270 | 400 | 995 | 375 | 485 |
| 27 | 1750 | 970 | 1270 | 400 | 995 | 375 | 485 |
| 33 | 1750 | 1170 | 1270 | 400 | 995 | 375 | 585 |

CADB/T-HE 04 a 33 RV

- ← TOMA AIRE EXTERIOR
- EXTRACCIÓN AIRE INTERIOR
- ← IMPULSIÓN AIRE NUEVO
- EXPULSIÓN AIRE INTERIOR

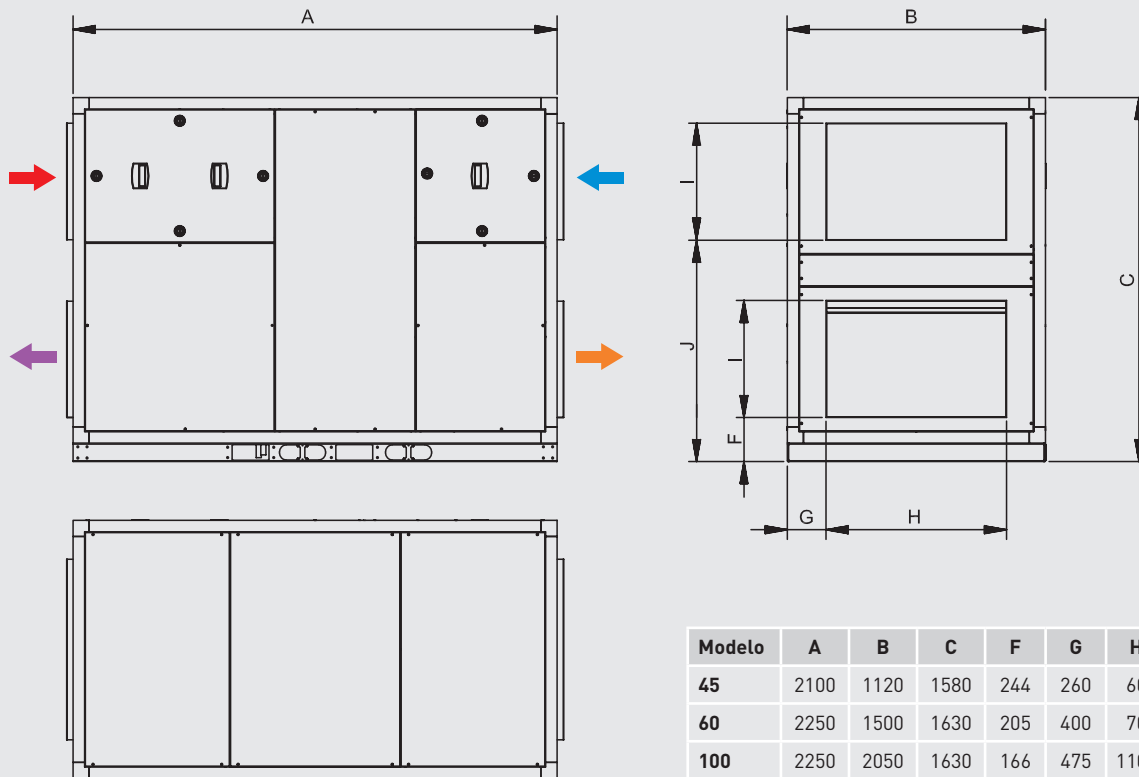


| Modelo | A | B | C | D | E | F | G |
|--------|------|------|------|-----|-----|-----|-----|
| 04 | 1125 | 540 | 920 | 200 | 732 | 287 | 270 |
| 08 | 1275 | 610 | 1020 | 250 | 808 | 312 | 305 |
| 12 | 1325 | 770 | 1020 | 315 | 808 | 312 | 385 |
| 16 | 1475 | 770 | 1070 | 315 | 845 | 325 | 385 |
| 21 | 1750 | 970 | 1270 | 400 | 995 | 375 | 485 |
| 27 | 1750 | 970 | 1270 | 400 | 995 | 375 | 485 |
| 33 | 1750 | 1170 | 1270 | 400 | 995 | 375 | 585 |

CADB/T-HE BASIC

CADT-HE 45 a 100 LV

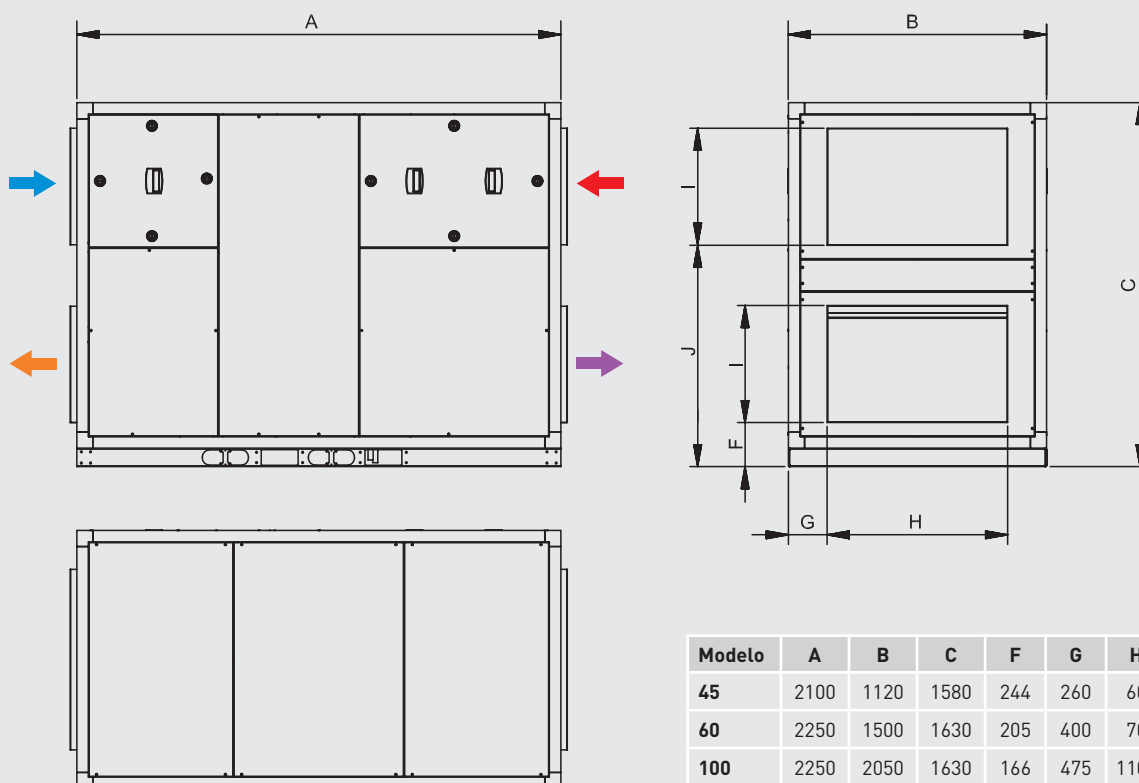
- ← TOMA AIRE EXTERIOR
- EXTRACCIÓN AIRE INTERIOR
- ← IMPULSIÓN AIRE NUEVO
- EXPULSIÓN AIRE INTERIOR



| Modelo | A | B | C | F | G | H | I | J |
|--------|------|------|------|-----|-----|------|-----|------|
| 45 | 2100 | 1120 | 1580 | 244 | 260 | 600 | 400 | 1015 |
| 60 | 2250 | 1500 | 1630 | 205 | 400 | 700 | 500 | 1005 |
| 100 | 2250 | 2050 | 1630 | 166 | 475 | 1100 | 610 | 930 |

CADT-HE 45 a 100 RV

- ← TOMA AIRE EXTERIOR
- EXTRACCIÓN AIRE INTERIOR
- ← IMPULSIÓN AIRE NUEVO
- EXPULSIÓN AIRE INTERIOR

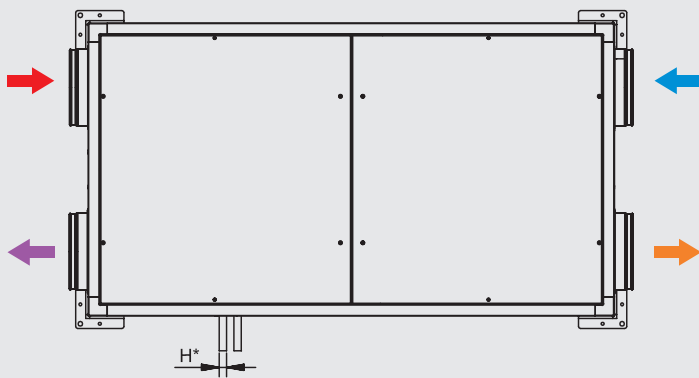
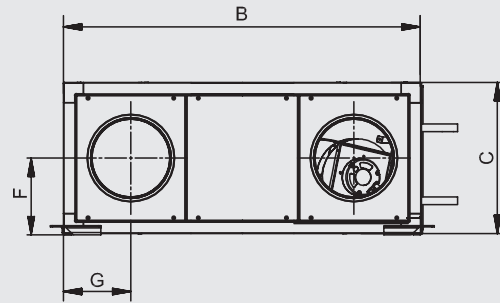
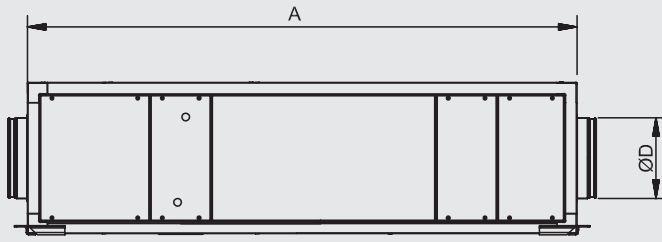


| Modelo | A | B | C | F | G | H | I | J |
|--------|------|------|------|-----|-----|------|-----|------|
| 45 | 2100 | 1120 | 1580 | 244 | 260 | 600 | 400 | 1015 |
| 60 | 2250 | 1500 | 1630 | 205 | 400 | 700 | 500 | 1005 |
| 100 | 2250 | 2050 | 1630 | 166 | 475 | 1100 | 610 | 930 |

CADB/T-HE ECOWATT

CADB/T-HE 04 a 33 LH

- ← TOMA AIRE EXTERIOR
- EXTRACCIÓN AIRE INTERIOR
- ← IMPULSIÓN AIRE NUEVO
- EXPULSIÓN AIRE INTERIOR

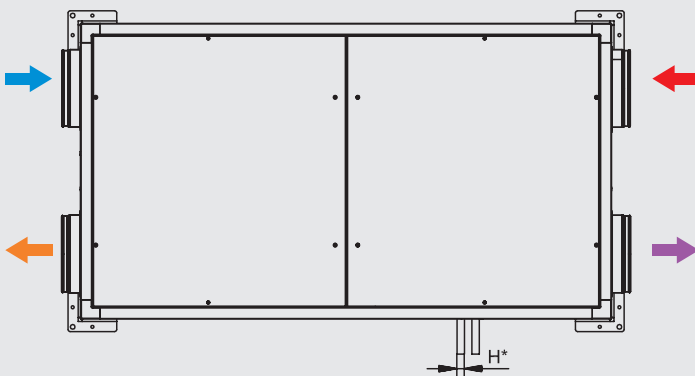
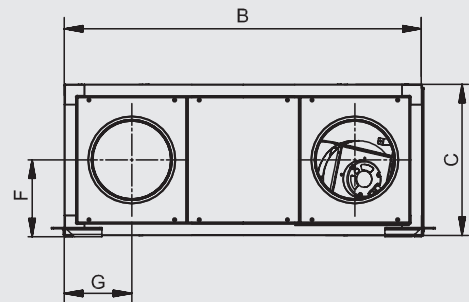
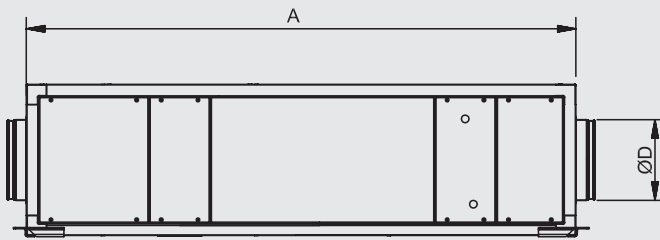


| Modelo | A | B | C | D | F | G | H* |
|--------|------|------|-----|-----|-----|-----|---------|
| 04 | 1520 | 760 | 375 | 200 | 187 | 167 | 1/2" GM |
| 08 | 1750 | 910 | 425 | 250 | 212 | 198 | 1/2" GM |
| 12 | 1700 | 1050 | 425 | 315 | 212 | 225 | 1/2" GM |
| 16 | 1950 | 1240 | 450 | 315 | 225 | 245 | 1/2" GM |
| 21 | 2300 | 1640 | 550 | 400 | 275 | 300 | 1/2" GM |
| 27 | 2300 | 1640 | 550 | 400 | 275 | 300 | 1/2" GM |
| 33 | 2300 | 1640 | 650 | 400 | 325 | 300 | 1/2" GM |

H*: Solamente en versiones -DC

CADB/T-HE 04 a 33 RH

- ← TOMA AIRE EXTERIOR
- EXTRACCIÓN AIRE INTERIOR
- ← IMPULSIÓN AIRE NUEVO
- EXPULSIÓN AIRE INTERIOR



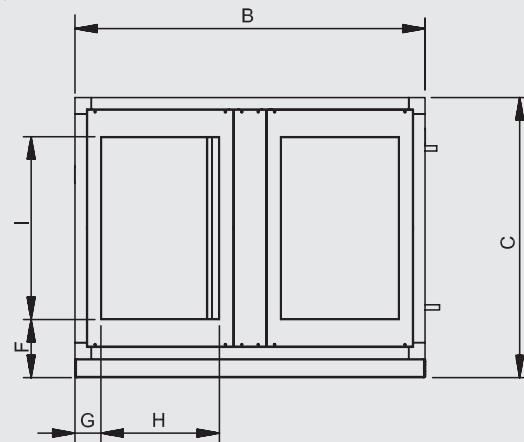
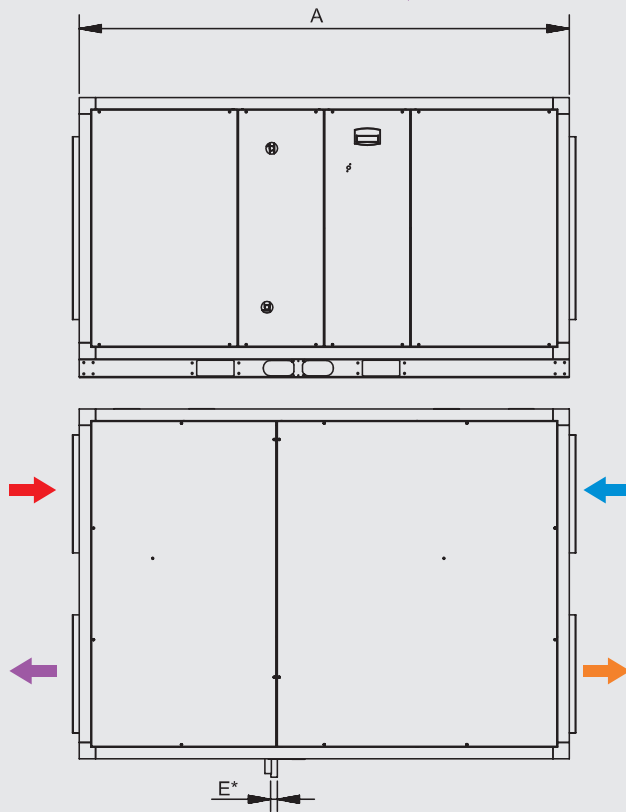
| Modelo | A | B | C | D | F | G | H* |
|--------|------|------|-----|-----|-----|-----|---------|
| 04 | 1520 | 760 | 375 | 200 | 187 | 167 | 1/2" GM |
| 08 | 1750 | 910 | 425 | 250 | 212 | 198 | 1/2" GM |
| 12 | 1700 | 1050 | 425 | 315 | 212 | 225 | 1/2" GM |
| 16 | 1950 | 1240 | 450 | 315 | 225 | 245 | 1/2" GM |
| 21 | 2300 | 1640 | 550 | 400 | 275 | 300 | 1/2" GM |
| 27 | 2300 | 1640 | 550 | 400 | 275 | 300 | 1/2" GM |
| 33 | 2300 | 1640 | 650 | 400 | 325 | 300 | 1/2" GM |

H*: Solamente en versiones -DC

CADB/T-HE ECOWATT

CADT-HE 45 y 60 LH

- ← TOMA AIRE EXTERIOR
- EXTRACCIÓN AIRE INTERIOR
- ← IMPULSIÓN AIRE NUEVO
- EXPULSIÓN AIRE INTERIOR

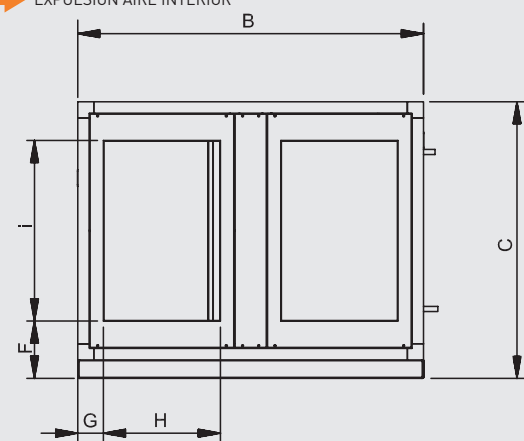
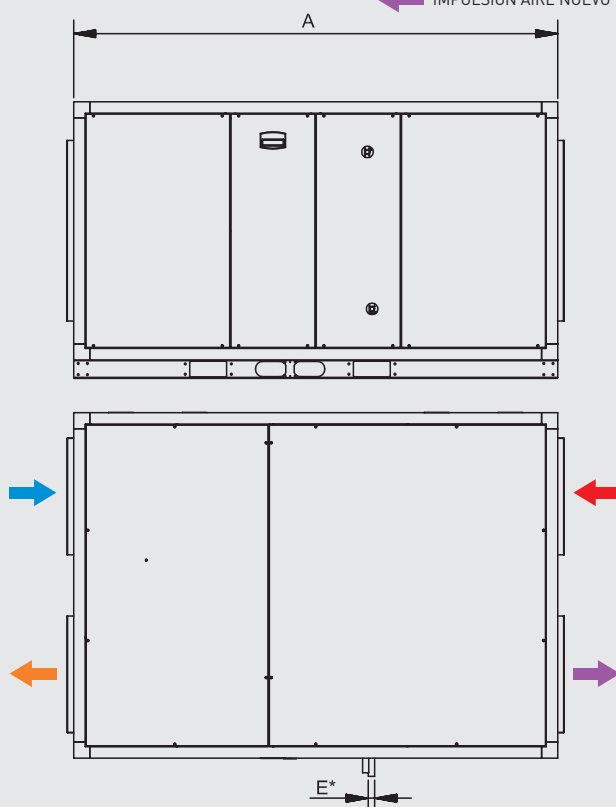


| Modelo | A | B | C | E* | F | G | H | I |
|--------|------|------|------|---------|-----|-----|-----|-----|
| 45 | 2100 | 1500 | 1200 | 3/4" GM | 340 | 164 | 400 | 600 |
| 60 | 2250 | 1550 | 1580 | 3/4" GM | 480 | 125 | 500 | 700 |

E*: Solamente en versiones -DC

CADT-HE 45 y 60 RH

- ← TOMA AIRE EXTERIOR
- EXTRACCIÓN AIRE INTERIOR
- ← IMPULSIÓN AIRE NUEVO
- EXPULSIÓN AIRE INTERIOR



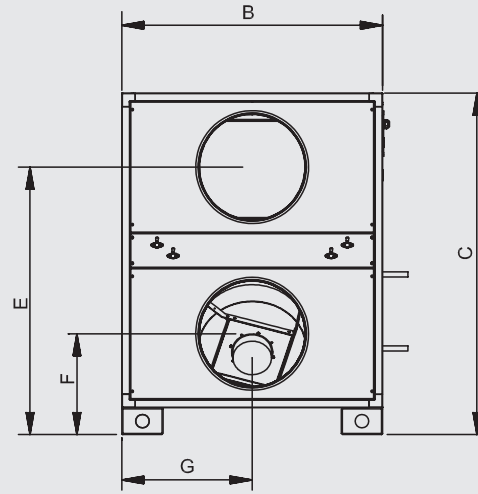
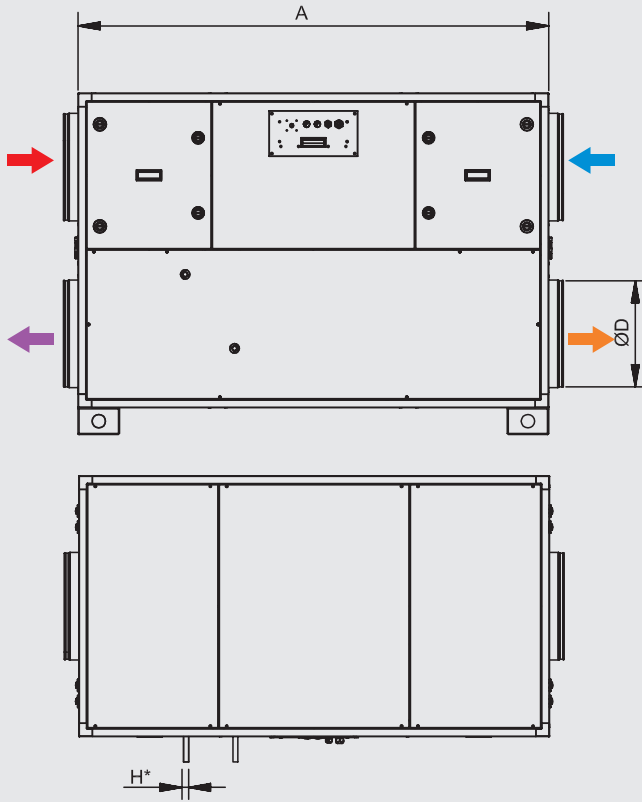
| Modelo | A | B | C | E* | F | G | H | I |
|--------|------|------|------|---------|-----|-----|-----|-----|
| 45 | 2100 | 1500 | 1200 | 3/4" GM | 340 | 164 | 400 | 600 |
| 60 | 2250 | 1550 | 1580 | 3/4" GM | 480 | 125 | 500 | 700 |

E*: Solamente en versiones -DC

CADB/T-HE ECOWATT

CADB/T-HE 04 a 33 LV

- ← TOMA AIRE EXTERIOR
- EXTRACCIÓN AIRE INTERIOR
- ← IMPULSIÓN AIRE NUEVO
- EXPULSIÓN AIRE INTERIOR

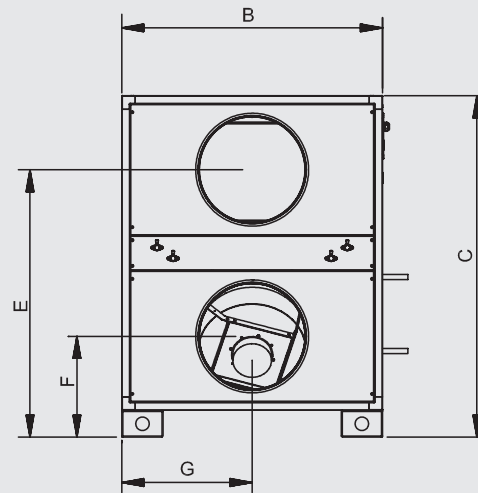
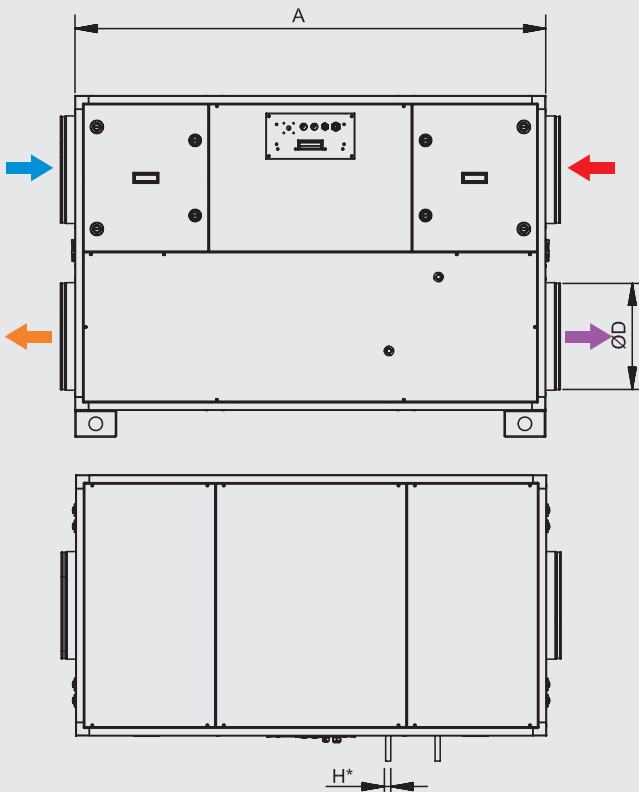


| Modelo | A | B | C | D | E | F | G | H* |
|--------|------|------|------|-----|-----|-----|-----|---------|
| 04 | 1125 | 540 | 920 | 200 | 732 | 287 | 270 | 1/2" GM |
| 08 | 1275 | 610 | 1020 | 250 | 808 | 312 | 305 | 1/2" GM |
| 12 | 1325 | 770 | 1020 | 315 | 808 | 312 | 385 | 1/2" GM |
| 16 | 1475 | 770 | 1070 | 315 | 845 | 325 | 385 | 1/2" GM |
| 21 | 1750 | 970 | 1270 | 400 | 995 | 375 | 485 | 1/2" GM |
| 27 | 1750 | 970 | 1270 | 400 | 995 | 375 | 485 | 1/2" GM |
| 33 | 1750 | 1170 | 1270 | 400 | 995 | 375 | 585 | 1/2" GM |

H*: Solamente en versiones -DC

CADB/T-HE 04 a 33 RV

- ← TOMA AIRE EXTERIOR
- EXTRACCIÓN AIRE INTERIOR
- ← IMPULSIÓN AIRE NUEVO
- EXPULSIÓN AIRE INTERIOR



| Modelo | A | B | C | D | E | F | G | H* |
|--------|------|------|------|-----|-----|-----|-----|---------|
| 04 | 1125 | 540 | 920 | 200 | 732 | 287 | 270 | 1/2" GM |
| 08 | 1275 | 610 | 1020 | 250 | 808 | 312 | 305 | 1/2" GM |
| 12 | 1325 | 770 | 1020 | 315 | 808 | 312 | 385 | 1/2" GM |
| 16 | 1475 | 770 | 1070 | 315 | 845 | 325 | 385 | 1/2" GM |
| 21 | 1750 | 970 | 1270 | 400 | 995 | 375 | 485 | 1/2" GM |
| 27 | 1750 | 970 | 1270 | 400 | 995 | 375 | 485 | 1/2" GM |
| 33 | 1750 | 1170 | 1270 | 400 | 995 | 375 | 585 | 1/2" GM |

H*: Solamente en versiones -DC

CADB/T-HE ECOWATT

CADT-HE 45 a 100 LV

← TOMA AIRE EXTERIOR → EXTRACCIÓN AIRE INTERIOR
← IMPULSIÓN AIRE NUEVO → EXPULSIÓN AIRE INTERIOR

| Modelo | A | B | C | E* | F | G | H | I | J |
|--------|------|------|------|---------|-----|-----|------|-----|------|
| 45 | 2100 | 1120 | 1580 | 3/4" GM | 244 | 260 | 600 | 400 | 1015 |
| 60 | 2250 | 1500 | 1630 | 3/4" GM | 205 | 400 | 700 | 500 | 1005 |
| 100 | 2250 | 2050 | 1630 | 3/4" GM | 166 | 475 | 1100 | 610 | 930 |

E*: Solamente en versiones -DC

CADT-HE 45 a 100 RV

← TOMA AIRE EXTERIOR → EXTRACCIÓN AIRE INTERIOR
← IMPULSIÓN AIRE NUEVO → EXPULSIÓN AIRE INTERIOR

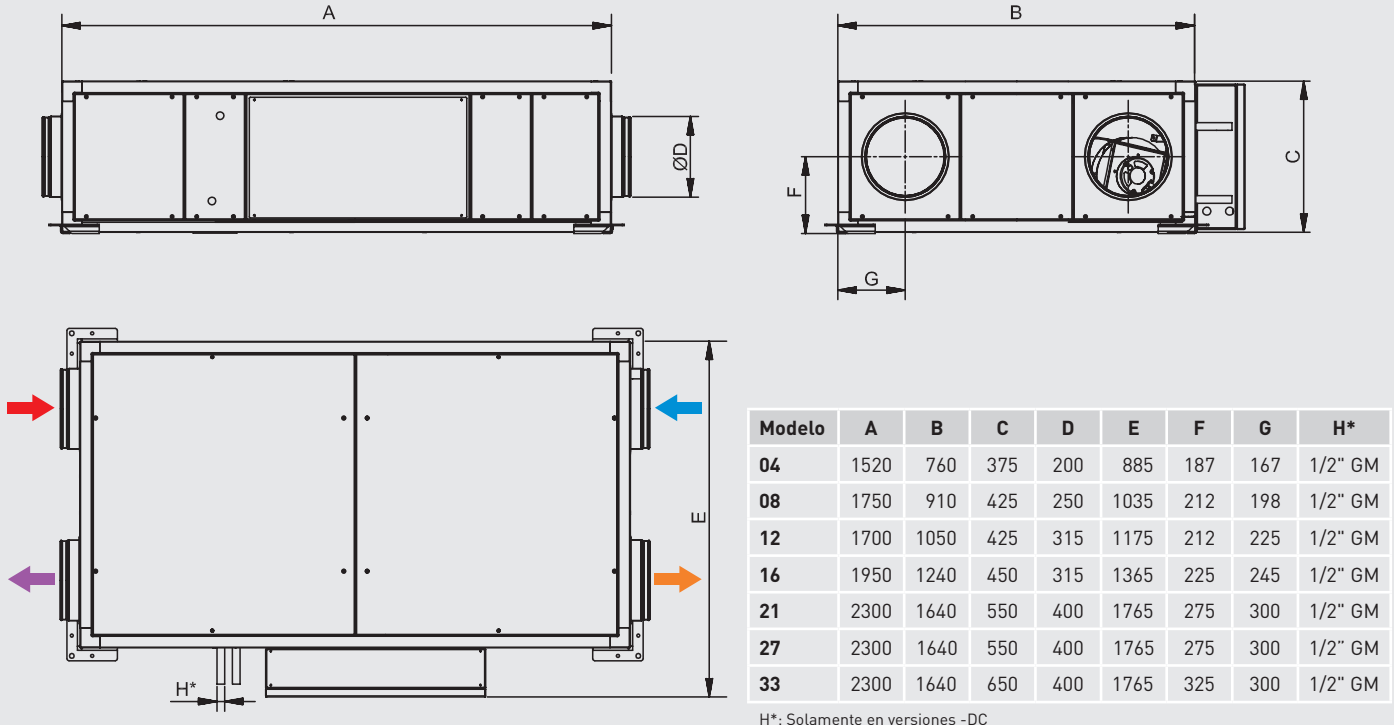
| Modelo | A | B | C | E* | F | G | H | I | J |
|--------|------|------|------|---------|-----|-----|------|-----|------|
| 45 | 2100 | 1120 | 1580 | 3/4" GM | 244 | 260 | 600 | 400 | 1015 |
| 60 | 2250 | 1500 | 1630 | 3/4" GM | 205 | 400 | 700 | 500 | 1005 |
| 100 | 2250 | 2050 | 1630 | 3/4" GM | 166 | 475 | 1100 | 610 | 930 |

E*: Solamente en versiones -DC

CADB/T-HE PRO-REG

CADB/T-HE 04 a 33 LH

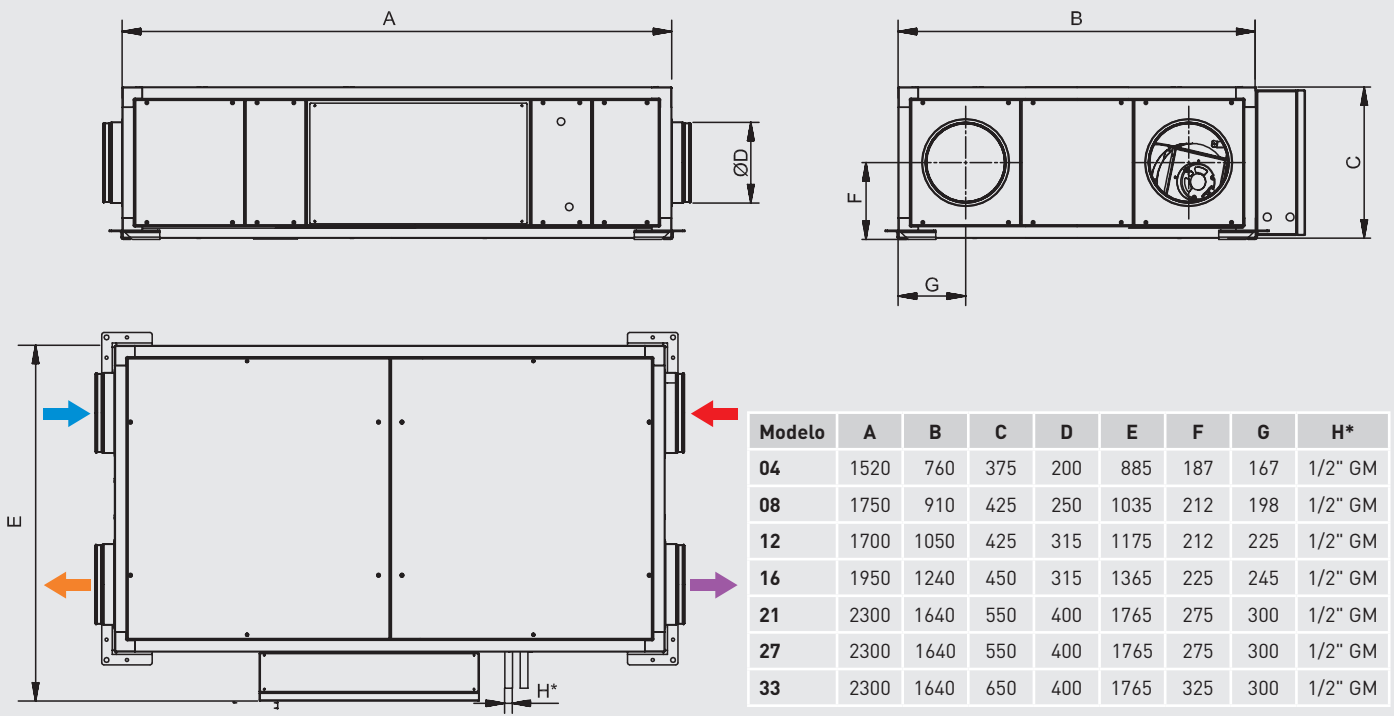
- ← TOMA AIRE EXTERIOR
- EXTRACCIÓN AIRE INTERIOR
- ← IMPULSIÓN AIRE NUEVO
- EXPULSIÓN AIRE INTERIOR



H*: Solamente en versiones -DC

CADB/T-HE 04 a 33 RH

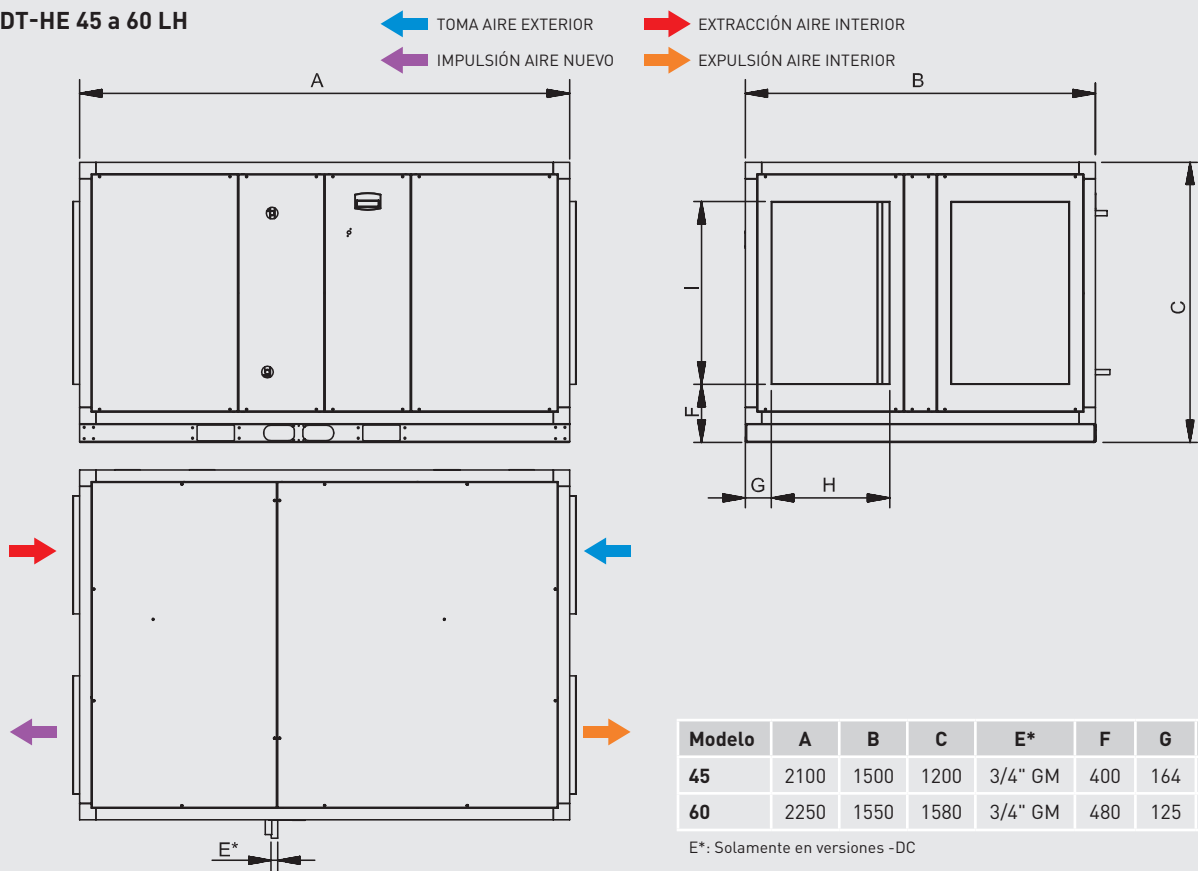
- ← TOMA AIRE EXTERIOR
- EXTRACCIÓN AIRE INTERIOR
- ← IMPULSIÓN AIRE NUEVO
- EXPULSIÓN AIRE INTERIOR



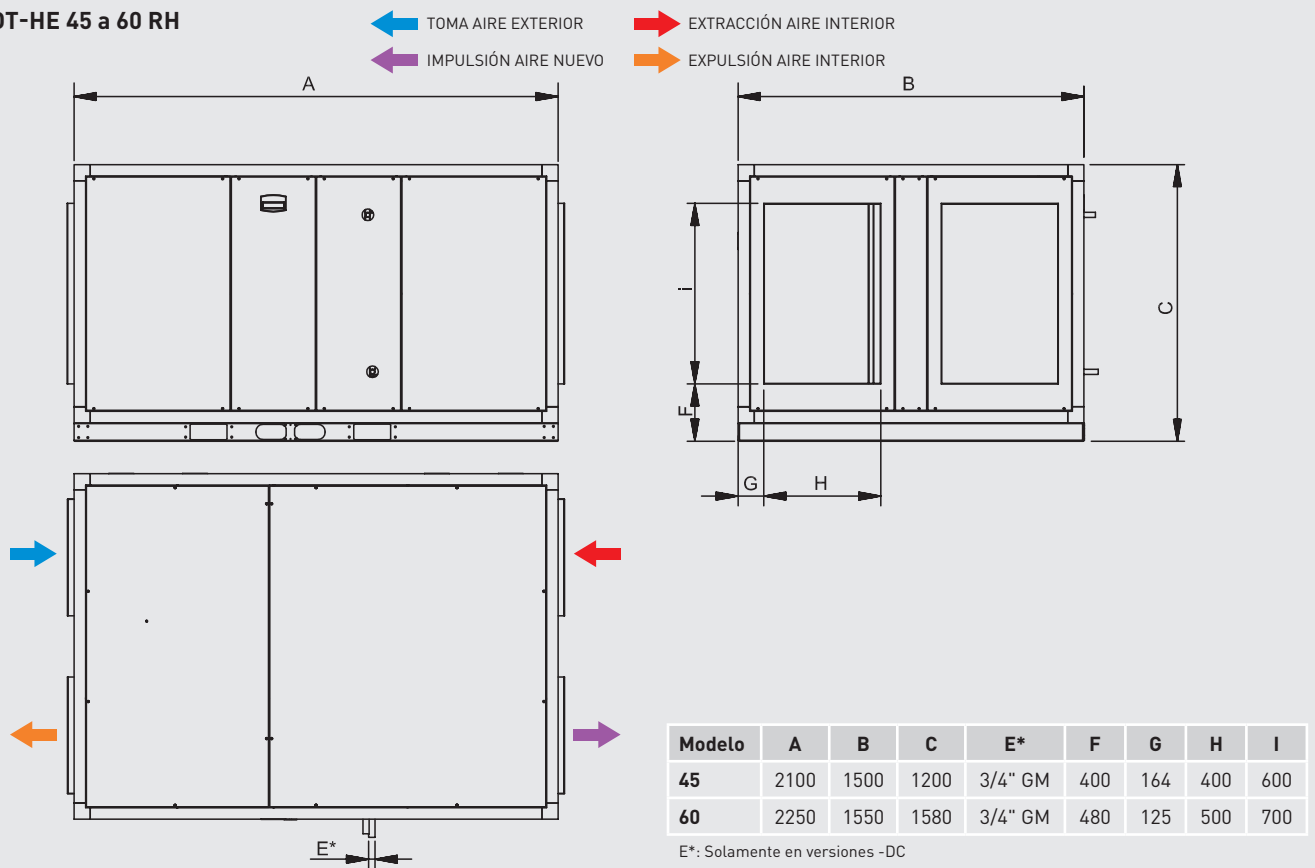
H*: Solamente en versiones -DC

CADB/T-HE PRO-REG

CADT-HE 45 a 60 LH



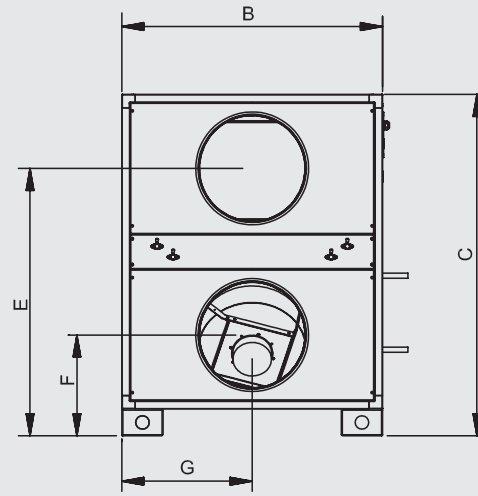
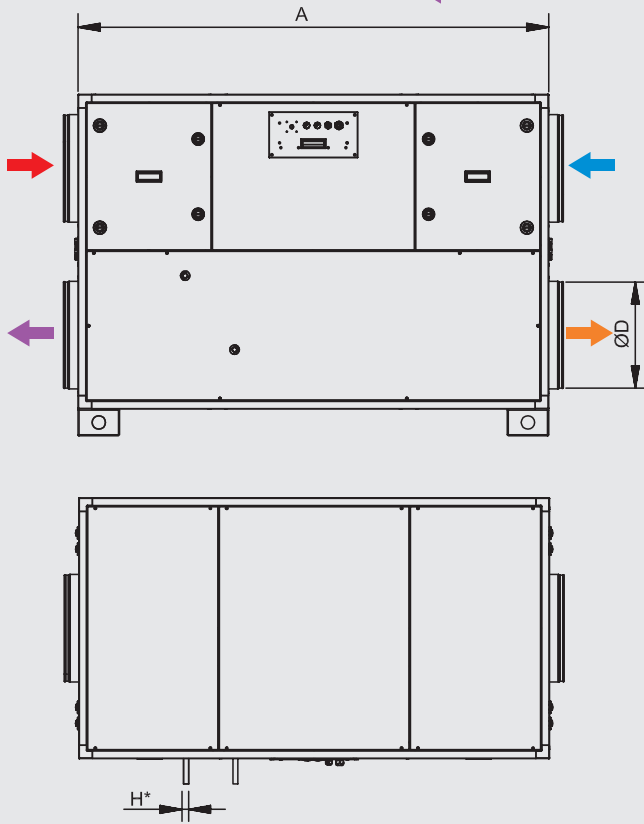
CADT-HE 45 a 60 RH



CADB/T-HE PRO-REG

CADB/T-HE 04 a 33 LV

- TOMA AIRE EXTERIOR
- EXTRACCIÓN AIRE INTERIOR
- IMPULSIÓN AIRE NUEVO
- EXPULSIÓN AIRE INTERIOR

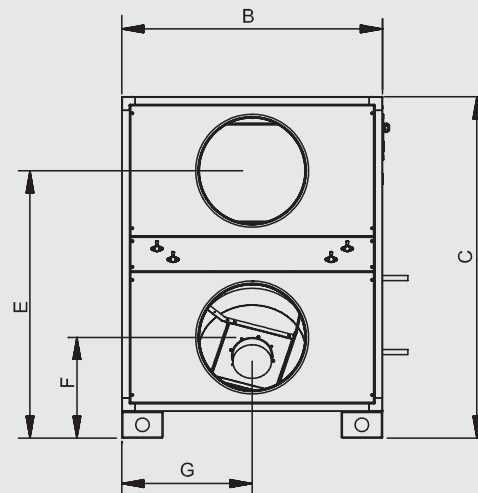
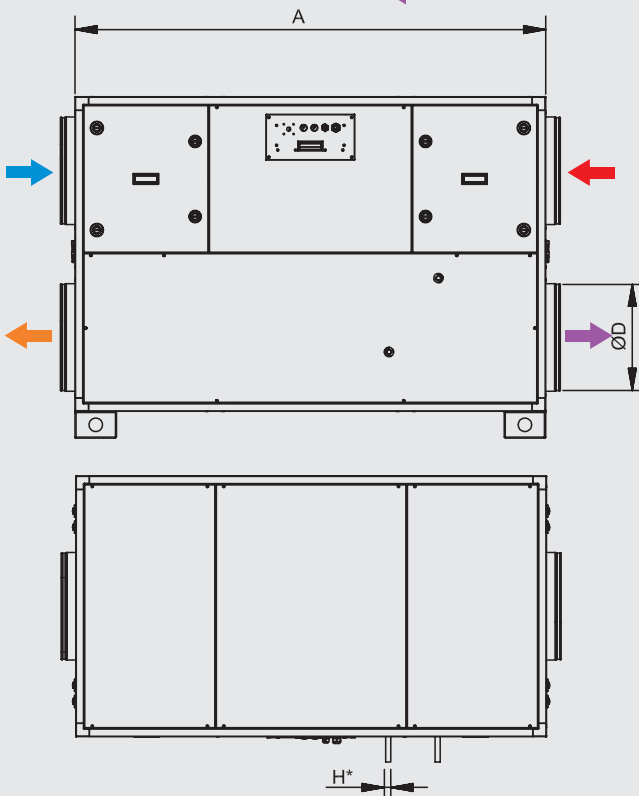


| Modelo | A | B | C | D | E | F | G | H* |
|--------|------|------|------|-----|-----|-----|-----|---------|
| 04 | 1125 | 540 | 920 | 200 | 732 | 287 | 270 | 1/2" GM |
| 08 | 1275 | 610 | 1020 | 250 | 808 | 312 | 305 | 1/2" GM |
| 12 | 1325 | 770 | 1020 | 315 | 808 | 312 | 385 | 1/2" GM |
| 16 | 1475 | 770 | 1070 | 315 | 845 | 325 | 385 | 1/2" GM |
| 21 | 1750 | 970 | 1270 | 400 | 995 | 375 | 485 | 1/2" GM |
| 27 | 1750 | 970 | 1270 | 400 | 995 | 375 | 485 | 1/2" GM |
| 33 | 1750 | 1170 | 1270 | 400 | 995 | 375 | 585 | 1/2" GM |

H*: Solamente en versiones -DC

CADB/T-HE 04 a 33 RV

- TOMA AIRE EXTERIOR
- EXTRACCIÓN AIRE INTERIOR
- IMPULSIÓN AIRE NUEVO
- EXPULSIÓN AIRE INTERIOR

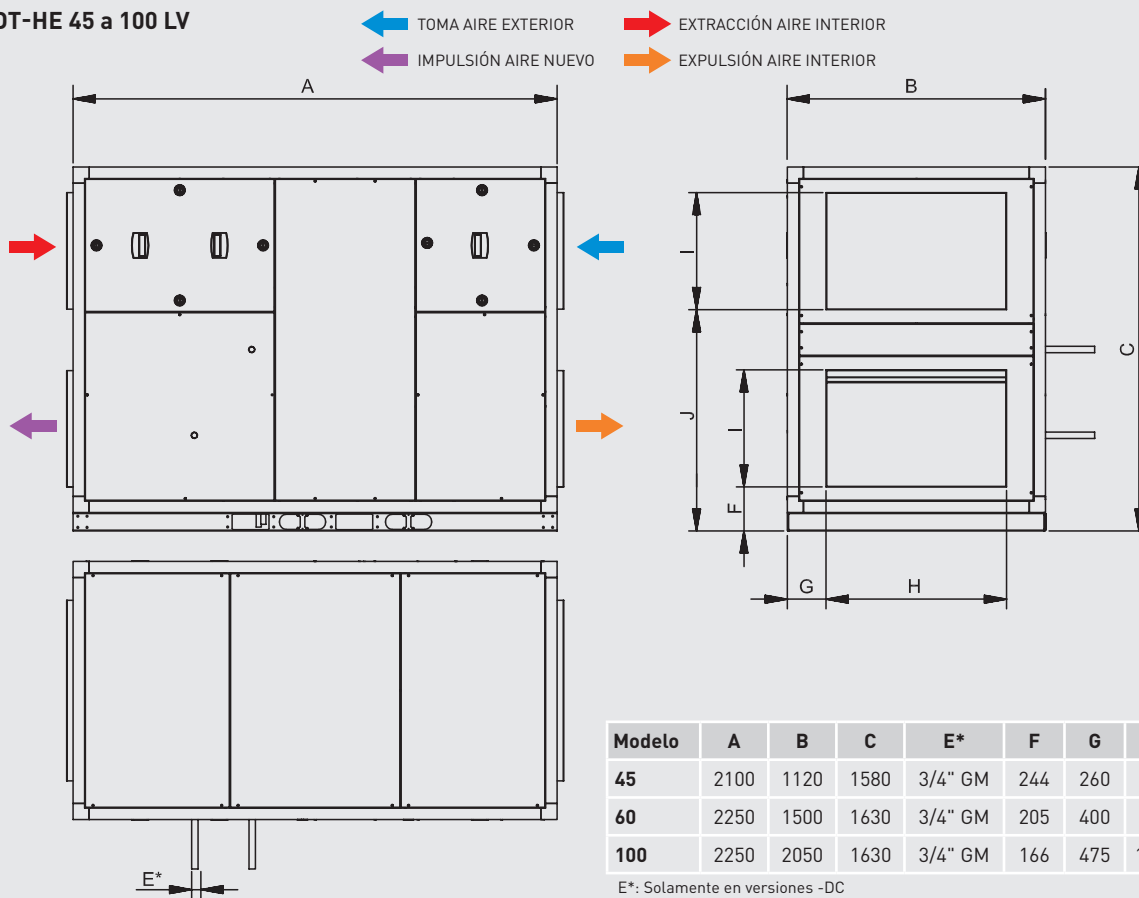


| Modelo | A | B | C | D | E | F | G | H* |
|--------|------|------|------|-----|-----|-----|-----|---------|
| 04 | 1125 | 540 | 920 | 200 | 732 | 287 | 270 | 1/2" GM |
| 08 | 1275 | 610 | 1020 | 250 | 808 | 312 | 305 | 1/2" GM |
| 12 | 1325 | 770 | 1020 | 315 | 808 | 312 | 385 | 1/2" GM |
| 16 | 1475 | 770 | 1070 | 315 | 845 | 325 | 385 | 1/2" GM |
| 21 | 1750 | 970 | 1270 | 400 | 995 | 375 | 485 | 1/2" GM |
| 27 | 1750 | 970 | 1270 | 400 | 995 | 375 | 485 | 1/2" GM |
| 33 | 1750 | 1170 | 1270 | 400 | 995 | 375 | 585 | 1/2" GM |

H*: Solamente en versiones -DC

CADB/T-HE PRO-REG

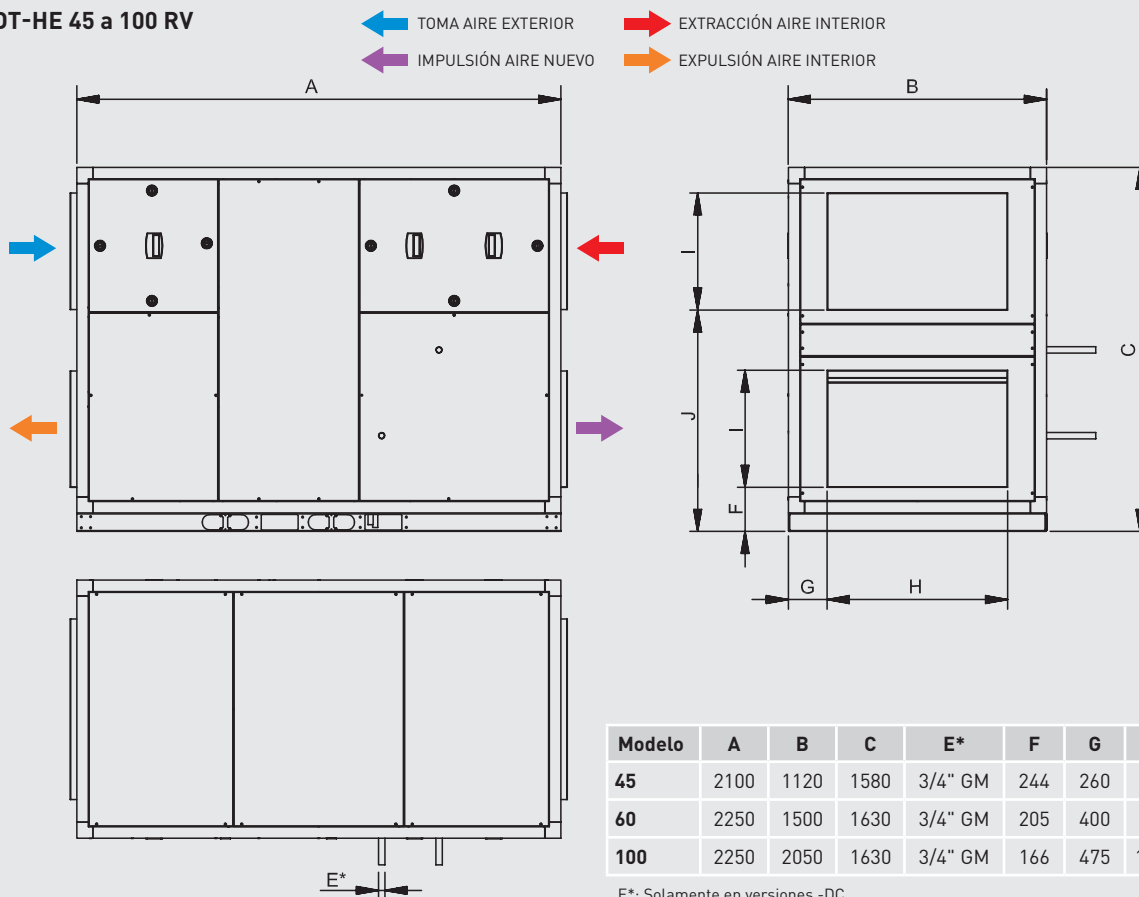
CADT-HE 45 a 100 LV



| Modelo | A | B | C | E* | F | G | H | I | J |
|--------|------|------|------|---------|-----|-----|------|-----|------|
| 45 | 2100 | 1120 | 1580 | 3/4" GM | 244 | 260 | 600 | 400 | 1015 |
| 60 | 2250 | 1500 | 1630 | 3/4" GM | 205 | 400 | 700 | 500 | 1005 |
| 100 | 2250 | 2050 | 1630 | 3/4" GM | 166 | 475 | 1100 | 610 | 930 |

E*: Solamente en versiones -DC

CADT-HE 45 a 100 RV

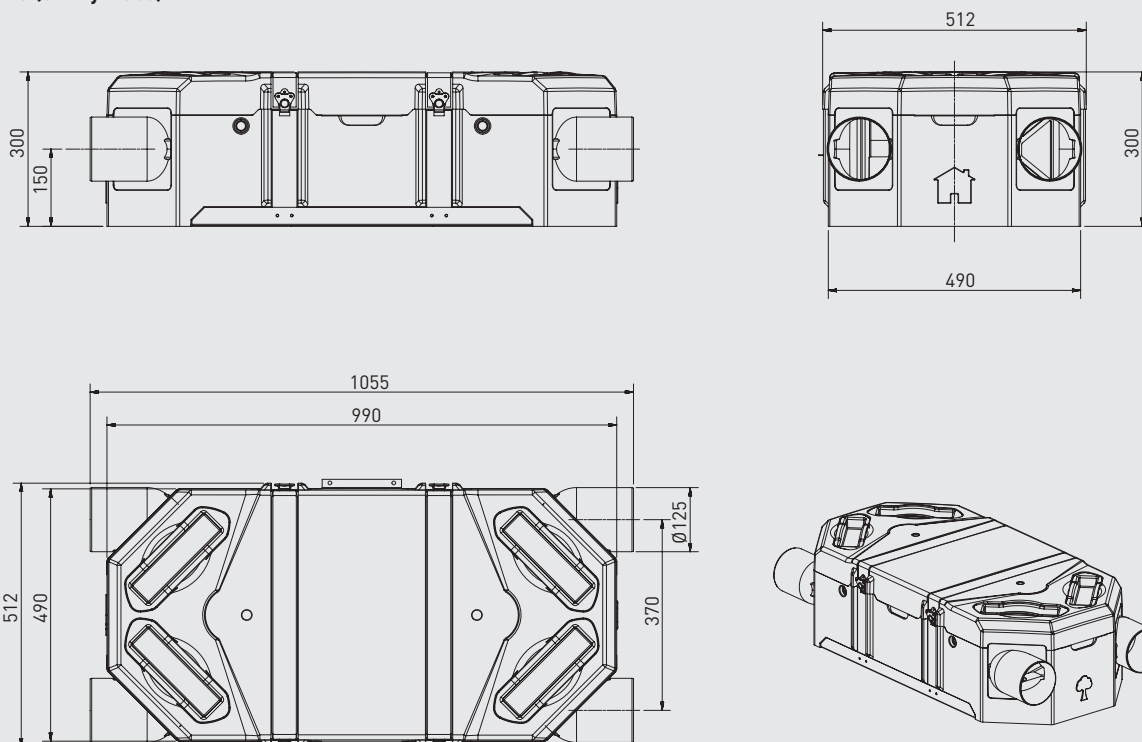


| Modelo | A | B | C | E* | F | G | H | I | J |
|--------|------|------|------|---------|-----|-----|------|-----|------|
| 45 | 2100 | 1120 | 1580 | 3/4" GM | 244 | 260 | 600 | 400 | 1015 |
| 60 | 2250 | 1500 | 1630 | 3/4" GM | 205 | 400 | 700 | 500 | 1005 |
| 100 | 2250 | 2050 | 1630 | 3/4" GM | 166 | 475 | 1100 | 610 | 930 |

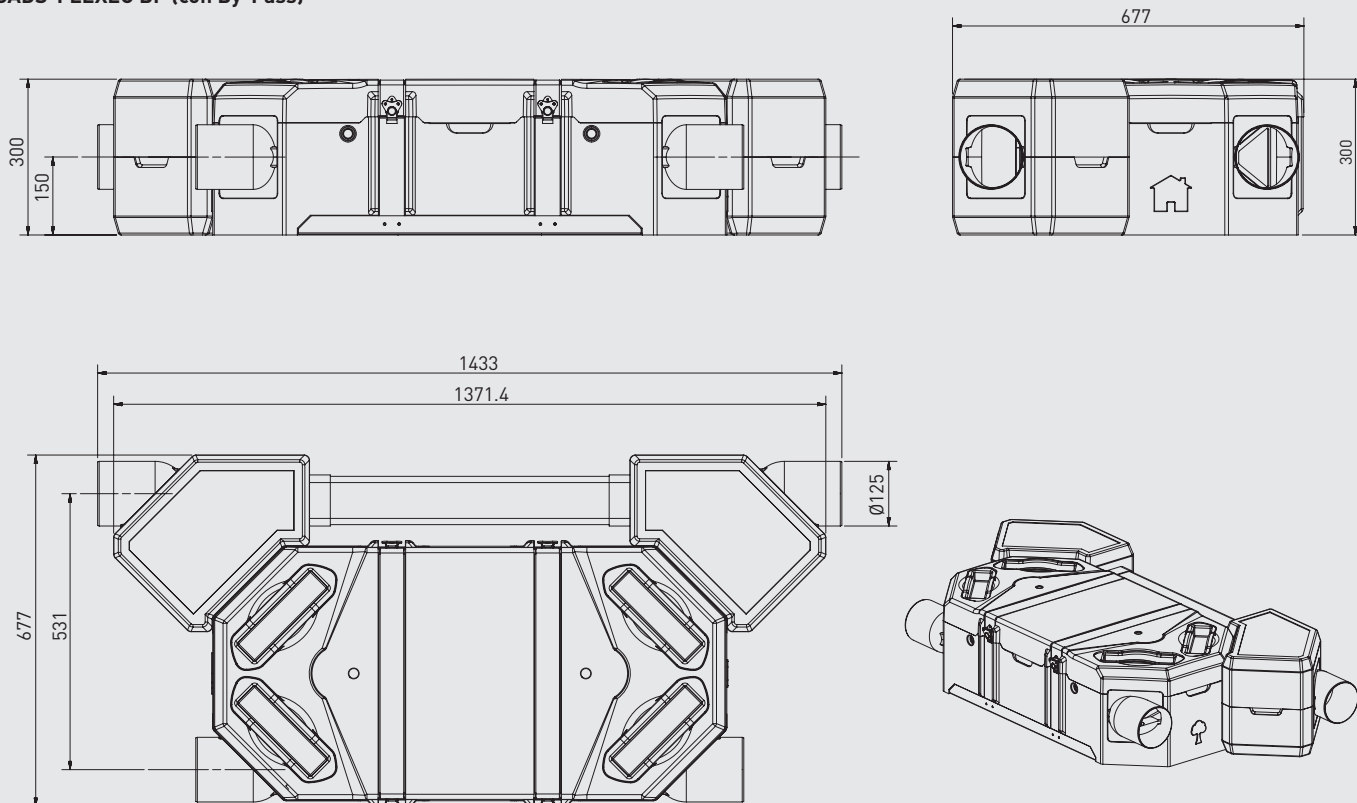
E*: Solamente en versiones -DC

CADS-FLEXEO

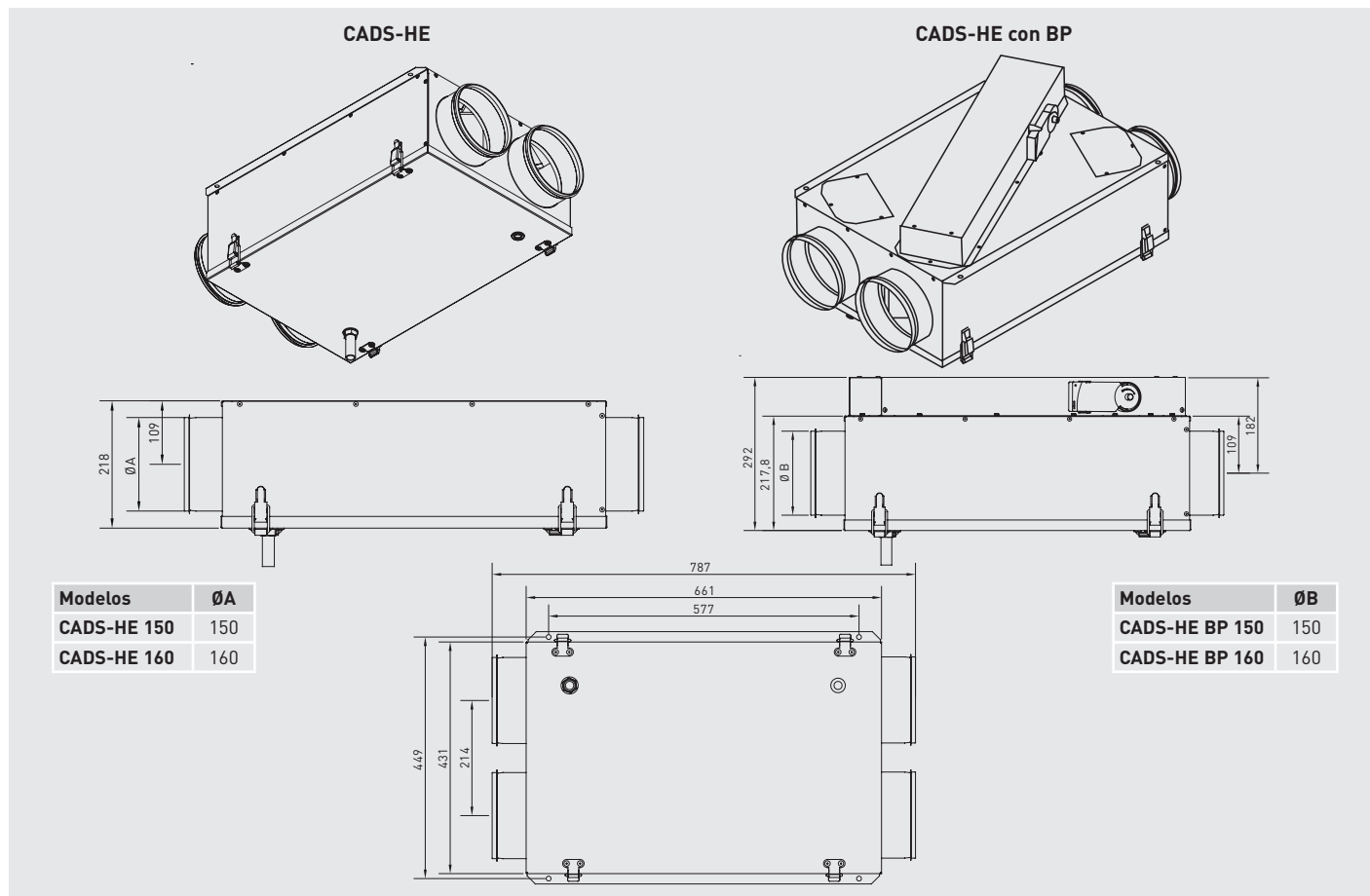
CADS-FLEXEO (sin By-Pass)



CADS-FLEXEO BP (con By-Pass)

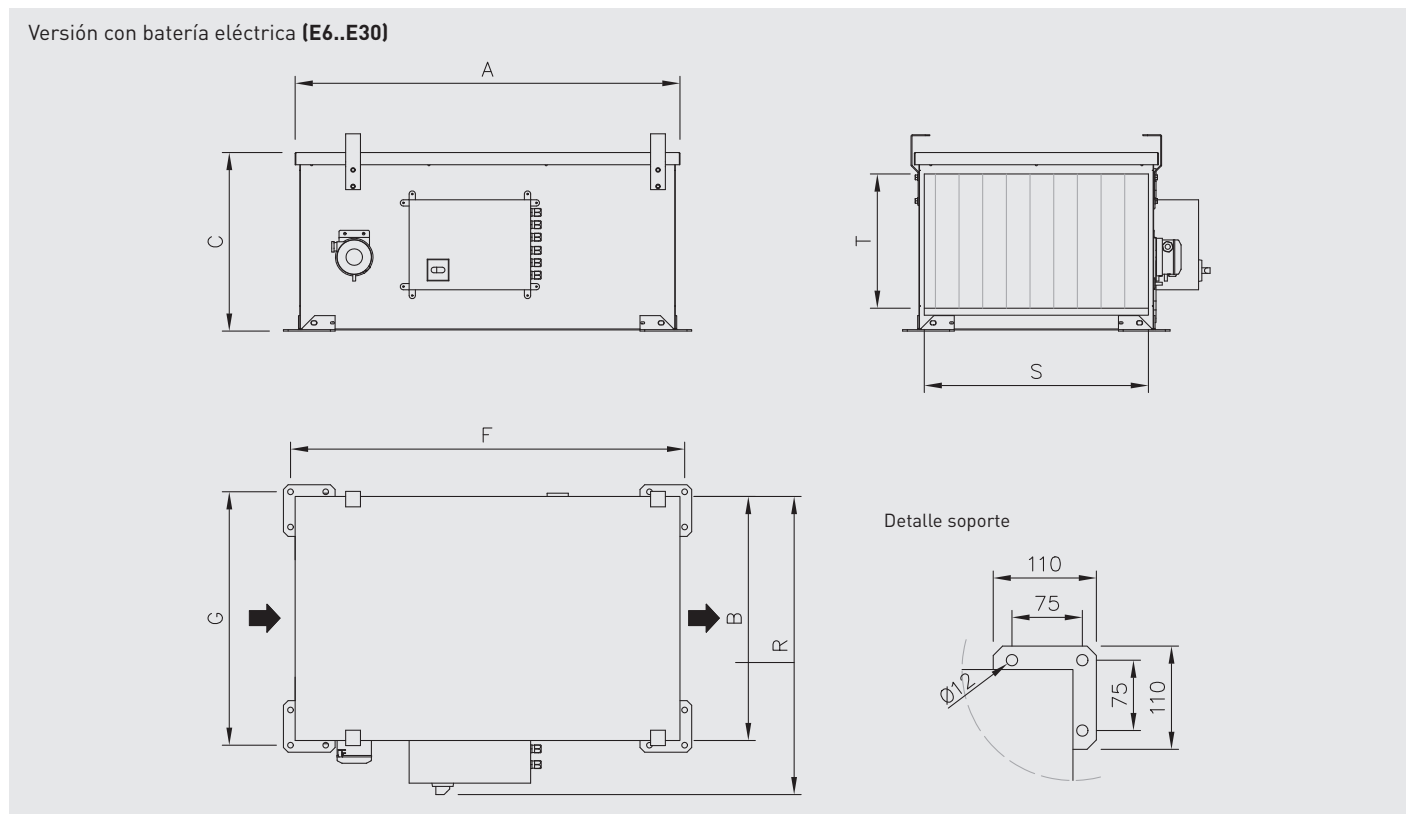


CADS-HE



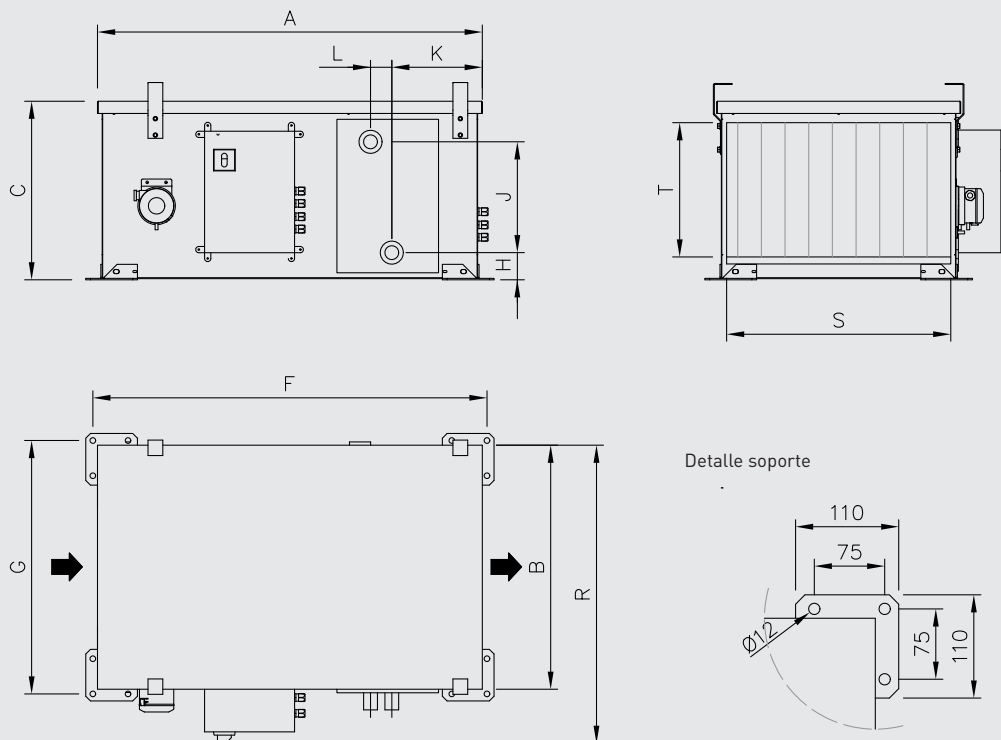
CAIB/T PRO-REG

Versión con batería eléctrica (E6..E30)

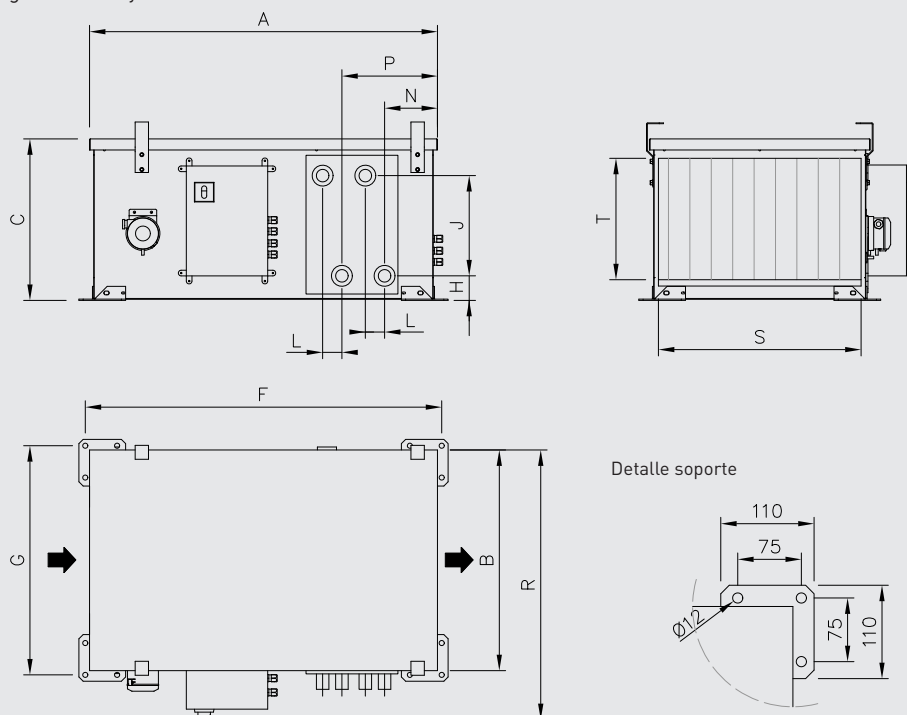


CAIB/T PRO-REG

Versión con batería de agua caliente, fría o versión con batería de agua reversible (H3 / C4/ R3)

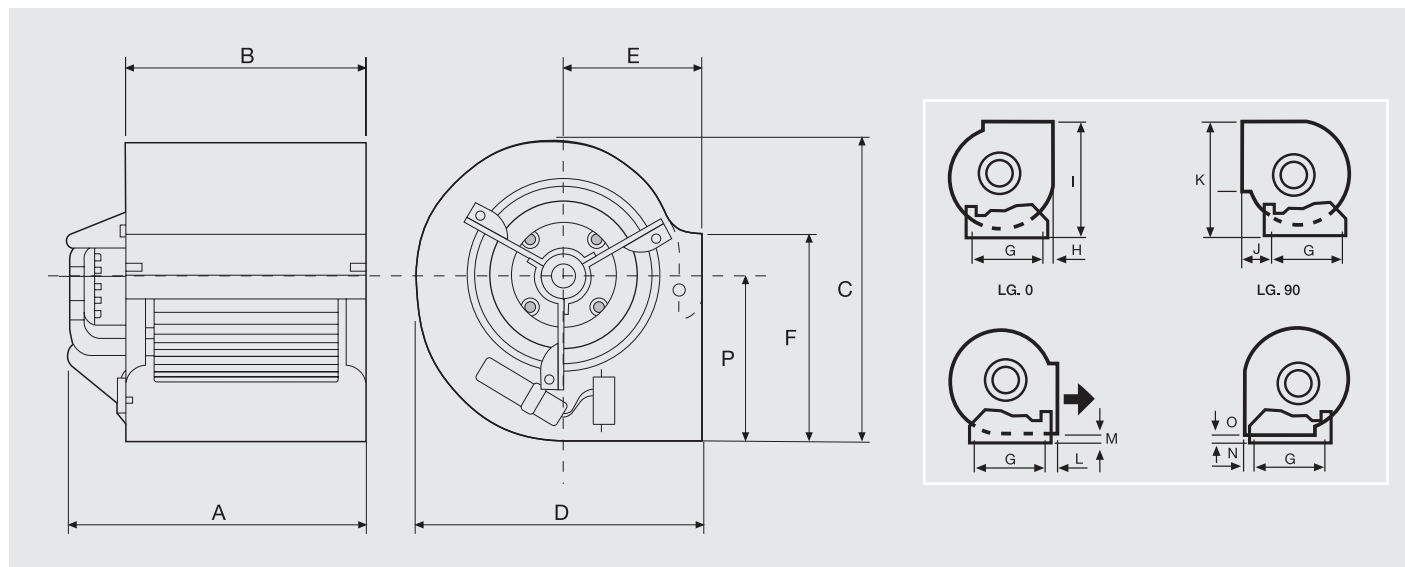


Versión con batería de agua caliente y fría (H3 C4)



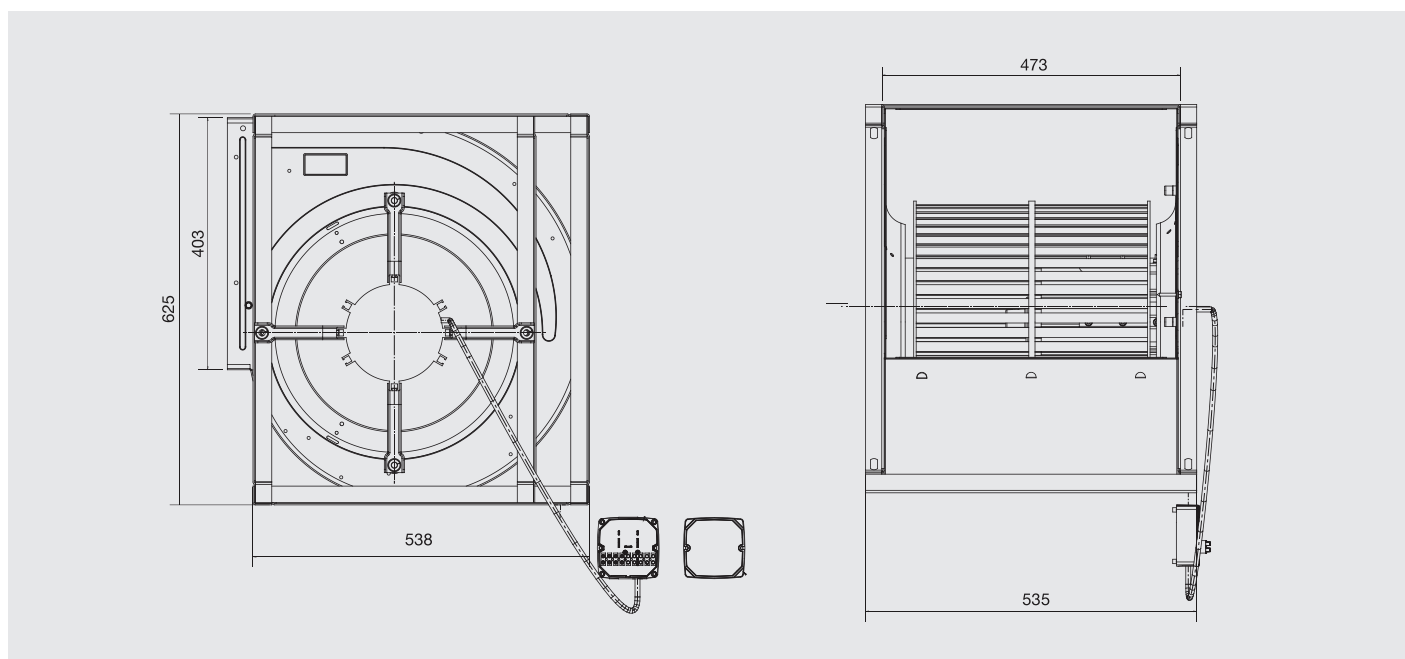
| Modelo | Dimensiones de la caja (mm) | | | | Anclajes (mm) | | Baterías de agua (mm) | | | | | | Entrada/Salida de aire | | Peso (kg) | | |
|-----------|-----------------------------|-----|-----|-----|---------------|-----|-----------------------|-----|-----|----|-----|-----|------------------------|-----|-----------|------------|-------|
| | A | B | C | R | F | G | H | J | K | L | N | P | S | T | E | H3, R3, C4 | H3 C4 |
| CAIB/T-10 | 819 | 520 | 385 | 720 | 840 | 540 | 89 | 210 | 150 | 52 | - | - | 396 | 266 | 55 | 58 | 67 |
| CAIB/T-20 | 1119 | 670 | 615 | 870 | 1140 | 690 | 112 | 390 | 250 | 52 | 178 | 326 | 546 | 495 | 99 | 104 | 127 |
| CAIB/T-30 | 1119 | 670 | 615 | 870 | 1140 | 690 | 112 | 390 | 250 | 52 | 178 | 326 | 546 | 495 | 103 | 115 | 131 |
| CAIB/T-40 | 1119 | 670 | 615 | 870 | 1140 | 690 | 112 | 390 | 250 | 52 | 178 | 326 | 546 | 495 | 112 | 121 | 140 |

CBM

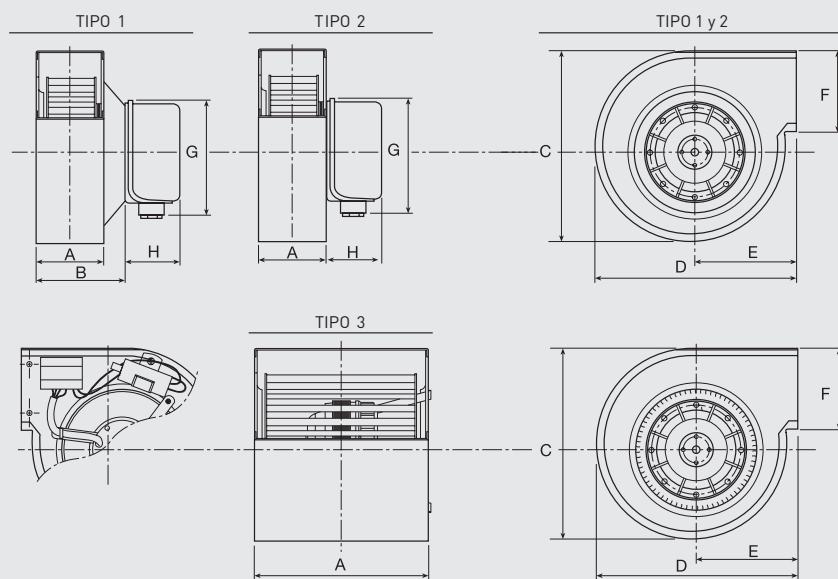


| Modelo | A | B | C | D | E | F | G | H | I | J | K | L | M | N | O | P |
|-----------------------|-----------------|-----|-----|-----|-----|-----|-----|------|-------|------|-------|------|------|------|-----|-----|
| CBM-7/7 72 6P C VR | 270 | 233 | 327 | 308 | 145 | 207 | 225 | 47,6 | 314 | 57 | 333 | 28 | 16,4 | 8,6 | 6 | 187 |
| CBM-7/7 147 4P RE VR | VER GAMA CBM-RE | | | | | | | | | | | | | | | |
| CBM-9/9 200 6P RE VR | VER GAMA CBM-RE | | | | | | | | | | | | | | | |
| CBM-9/9 373 4P C VR | 348 | 300 | 390 | 381 | 184 | 260 | 296 | 34,5 | 382 | 69 | 395,5 | 68,5 | 39 | 34,5 | 6 | 221 |
| CBM-9/9 550 4P C VR | 371 | 300 | 390 | 381 | 184 | 260 | 296 | 34,5 | 382 | 69 | 395,5 | 68,5 | 39 | 34,5 | 6 | 221 |
| CBM-10/10 245 6P C VR | 377 | 333 | 443 | 423 | 200 | 288 | 339 | 39 | 427 | 67 | 451,5 | 67 | 40 | 39 | 8 | 249 |
| CBM-10/10 373 4P C VR | 430 | 333 | 443 | 423 | 200 | 288 | 339 | 39 | 427 | 67 | 451,5 | 67 | 40 | 39 | 8 | 249 |
| CBM-10/10 550 4P C VR | 430 | 333 | 443 | 423 | 200 | 288 | 339 | 39 | 427 | 67 | 451,5 | 67 | 40 | 39 | 8 | 249 |
| CBM-12/9 736 6P C VR | 419 | 311 | 521 | 490 | 229 | 341 | 407 | 40,5 | 496,5 | 69,5 | 528,5 | 69,5 | 38,5 | 41,5 | 4,5 | 293 |
| CBM-12/12 550 6P VR | 459 | 396 | 521 | 490 | 229 | 341 | 407 | 40,5 | 496,5 | 69,5 | 528,5 | 69,5 | 38,5 | 41,5 | 4,5 | 293 |
| CBM-12/12 736 6P C VR | 459 | 396 | 521 | 490 | 229 | 341 | 407 | 40,5 | 496,5 | 69,5 | 528,5 | 69,5 | 38,5 | 41,5 | 4,5 | 293 |
| CBM-12/9 1100 6PT C | 416 | 311 | 521 | 490 | 229 | 341 | 407 | 40,5 | 496,5 | 69,5 | 528,5 | 69,5 | 38,5 | 41,5 | 4,5 | 293 |
| CBM-12/12 1100 6PT C | 460 | 396 | 521 | 490 | 229 | 341 | 407 | 40,5 | 496,5 | 69,5 | 528,5 | 69,5 | 38,5 | 41,5 | 4,5 | 293 |

Dimensiones modelo CBM-T-15/15 (mm)



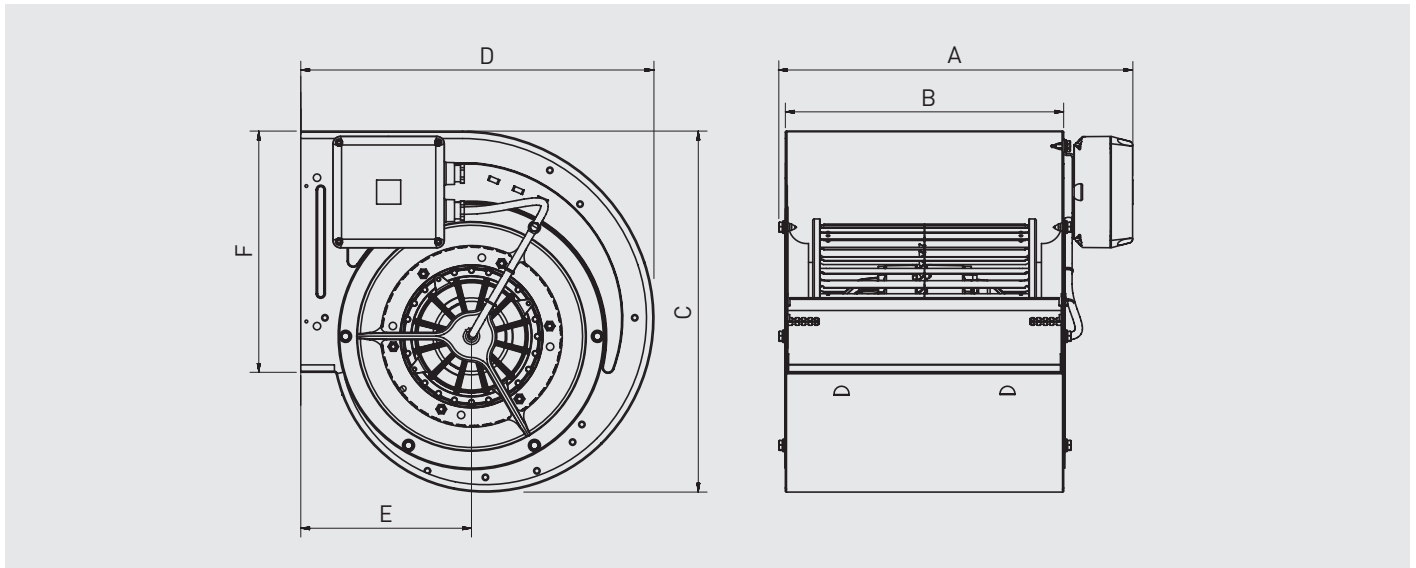
CBM Pequeña



| Modelo | Esquema | A | B | C | D | E | F | G | H |
|---------------|---------|-----|----|-----|-----|-----|-----|-----|-----|
| CBM/2-133/046 | TIPO 1 | 63 | 80 | 182 | 175 | 88 | 69 | 100 | 46 |
| CBM/2-133/062 | TIPO 1 | 78 | 99 | 182 | 175 | 88 | 69 | 100 | 46 |
| CBM/2-140/059 | TIPO 2 | 98 | - | 244 | 224 | 103 | 94 | 100 | 46 |
| CBM/2-160/062 | TIPO 2 | 98 | - | 244 | 224 | 103 | 94 | 100 | 46 |
| CBM/4-160/062 | TIPO 2 | 98 | - | 244 | 224 | 103 | 94 | 100 | 46 |
| CBM/4-180/075 | TIPO 2 | 110 | - | 261 | 268 | 145 | 122 | 100 | 46 |
| CBM/4-180/092 | TIPO 2 | 136 | - | 332 | 296 | 133 | 136 | 100 | 46 |
| CBM/2-133/190 | TIPO 3 | 215 | - | 181 | 178 | 90 | 69 | - | 30* |
| CBM/2-146/180 | TIPO 3 | 224 | - | 217 | 203 | 95 | 102 | - | 30* |
| CBM/4-133/190 | TIPO 3 | 233 | - | 212 | 203 | 97 | 102 | - | 30* |
| CBM/4-160/150 | TIPO 3 | 175 | - | 242 | 225 | 114 | 104 | - | 30* |
| CBM/4-180/184 | TIPO 3 | 224 | - | 260 | 270 | 143 | 123 | - | 30* |
| CBM/6-180/184 | TIPO 3 | 224 | - | 260 | 270 | 143 | 123 | - | 30* |

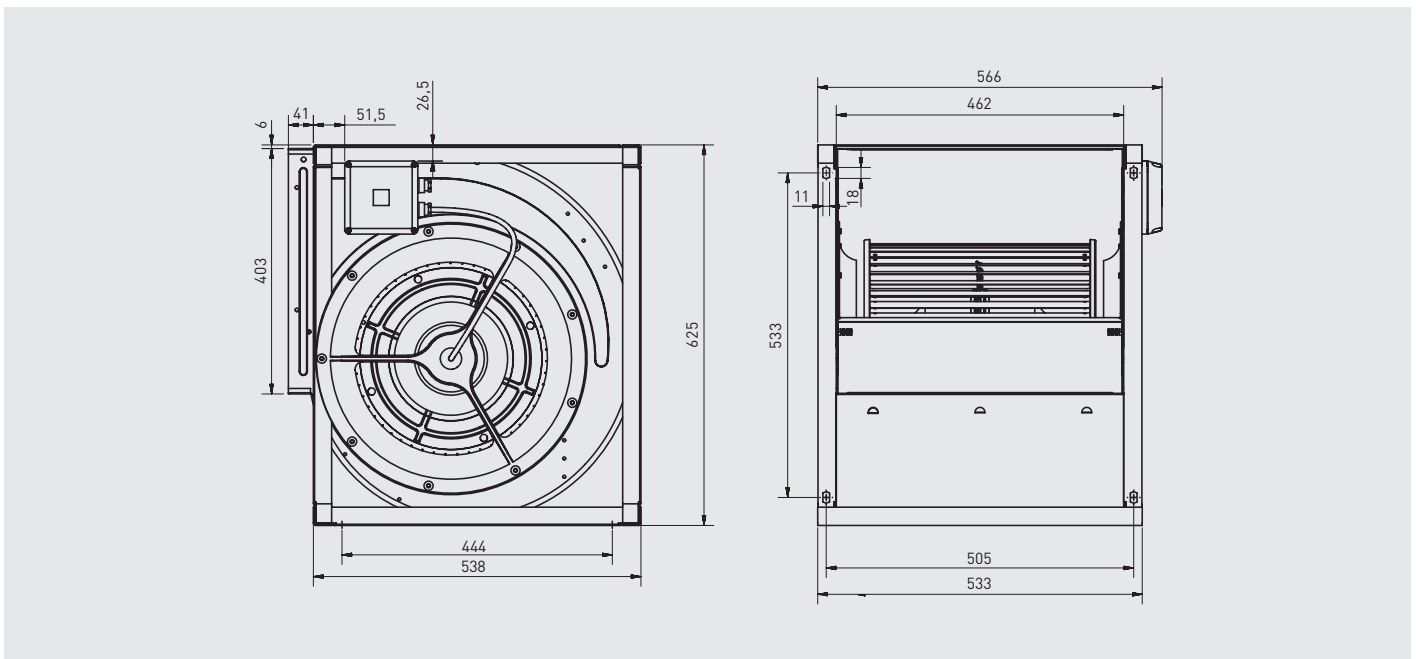
* Espesor caja de bornes y condensador en el lateral.

CBM-RE

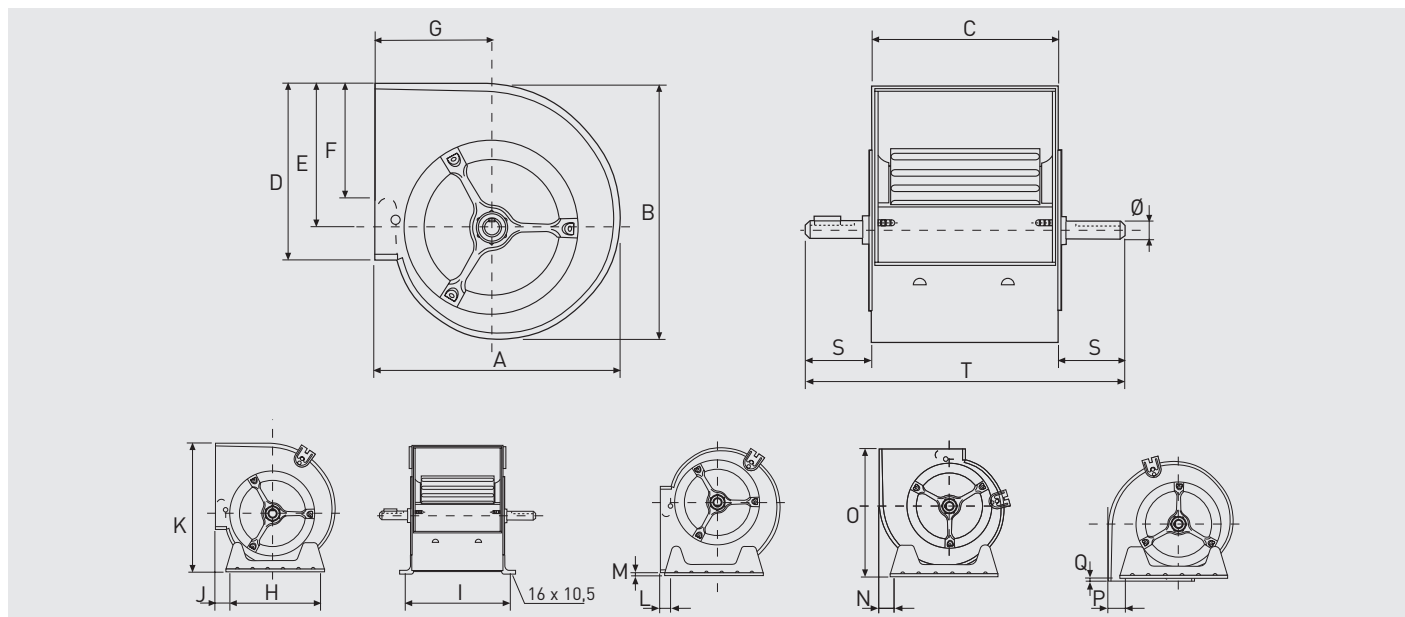


| Modelo | A | B | C | D | E | F |
|-----------|-----|-----|-----|-----|-----|-----|
| CBM-7/7 | 296 | 233 | 328 | 309 | 145 | 207 |
| CBM-7/9 | 363 | 300 | 328 | 309 | 145 | 207 |
| CBM-9/7 | 316 | 233 | 390 | 381 | 184 | 260 |
| CBM-9/9 | 382 | 300 | 390 | 381 | 184 | 260 |
| CBM-10/8 | 340 | 267 | 443 | 423 | 200 | 288 |
| CBM-10/10 | 407 | 333 | 443 | 423 | 200 | 288 |
| CBM-12/9 | 382 | 311 | 521 | 490 | 229 | 341 |
| CBM-12/12 | 466 | 396 | 521 | 490 | 229 | 341 |

Dimensiones modelo CBM-15/15 2200 6PT RE VR K (mm)



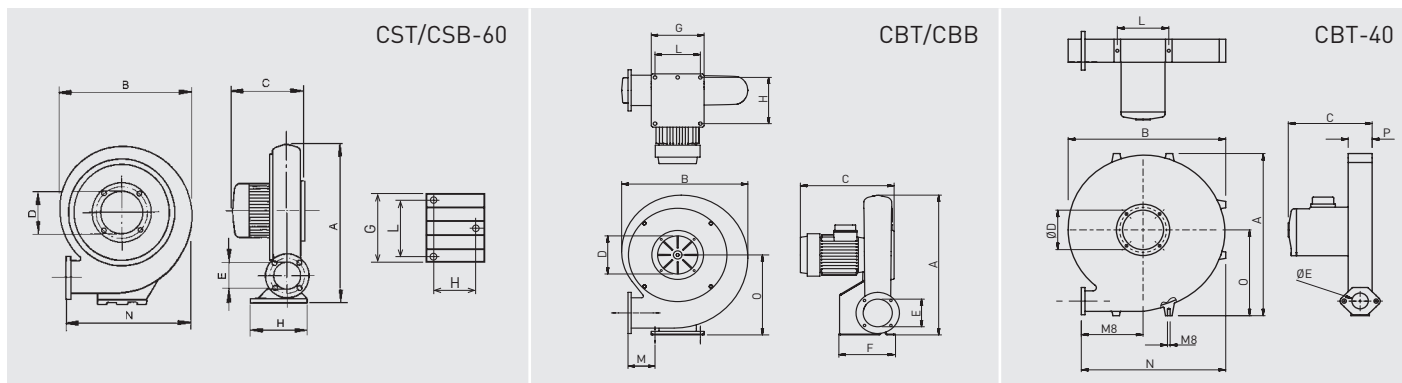
CBP



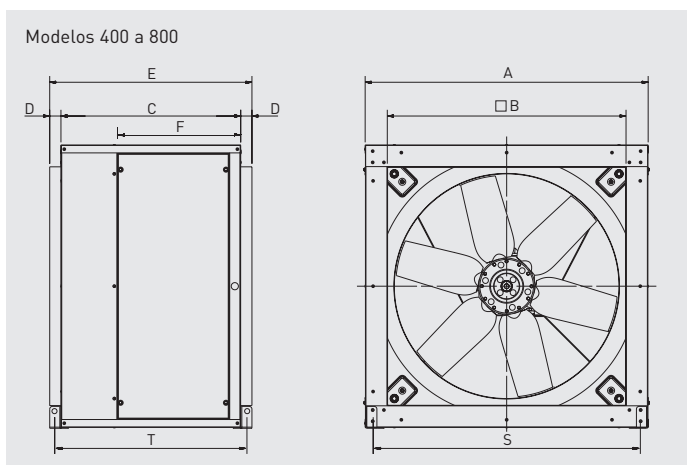
| Modelo | A | B | C | D | E | F | G | H | I | J | K | L | M | N | O | P | Q | S | T | Ø |
|-----------|-----|-----|-----|-----|-----|-----|-----|-----|-------|------|-------|------|------|------|-------|------|-----|------|-----|----|
| CBP-7/7 | 307 | 327 | 232 | 207 | 187 | 148 | 146 | 227 | 259 | 20,6 | 329,3 | 17,5 | 4,5 | 32 | 309,5 | 14,5 | 4,7 | 49 | 330 | 20 |
| CBP-9/7 | 380 | 392 | 232 | 260 | 221 | 180 | 184 | 296 | 259 | 68,5 | 395,5 | 68,5 | 39 | 34,5 | 382 | 34,5 | 6 | 79 | 390 | 20 |
| CBP-9/9 | 380 | 392 | 300 | 260 | 218 | 180 | 184 | 296 | 327 | 68,5 | 395,5 | 68,5 | 39 | 34,5 | 382 | 34,5 | 6 | 60 | 420 | 20 |
| CBP-10/8 | 422 | 441 | 266 | 289 | 247 | 213 | 201 | 339 | 293 | 67 | 450,5 | 67 | 40 | 39 | 427 | 39 | 8 | 62 | 390 | 20 |
| CBP-10/10 | 422 | 441 | 333 | 289 | 247 | 213 | 201 | 339 | 360 | 67 | 450,5 | 67 | 40 | 39 | 427 | 39 | 8 | 63,5 | 460 | 20 |
| CBP-12/9 | 493 | 524 | 311 | 341 | 293 | 240 | 229 | 407 | 338 | 69,5 | 528 | 69,5 | 38,4 | 40,5 | 496,4 | 41,4 | 4,5 | 59,5 | 430 | 25 |
| CBP-12/12 | 493 | 524 | 396 | 341 | 293 | 240 | 229 | 407 | 423 | 69,5 | 528 | 69,5 | 38,4 | 40,5 | 496,4 | 41,4 | 4,5 | 70 | 536 | 25 |
| CBP-15/15 | 573 | 613 | 473 | 403 | 343 | 270 | 267 | 494 | 499,5 | 62,5 | 625 | 68,5 | 37 | 44,5 | 575 | 48,5 | 8 | 71 | 615 | 25 |
| CBP-18/18 | 685 | 743 | 556 | 479 | 418 | 290 | 314 | 608 | 585 | 44,2 | 751 | 52,5 | 44 | 91,4 | 689,4 | 91,4 | 4,6 | 68 | 692 | 25 |

CBT-N

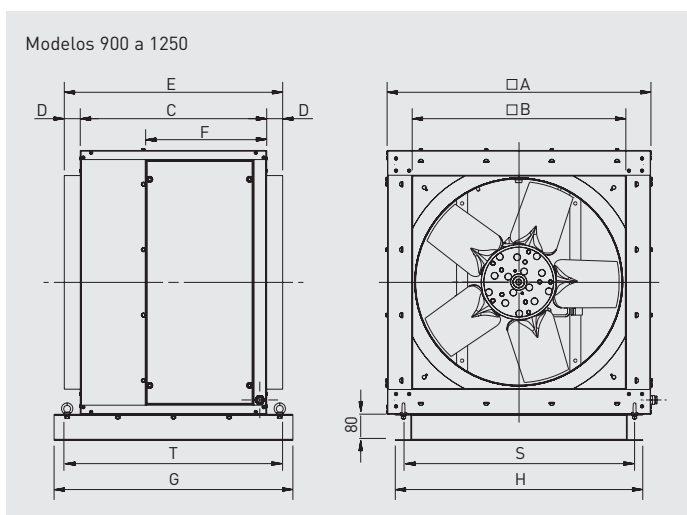
| Modelo | A | B | C | Ø D | Ø E | F | G | H | L | M | N | O |
|---------------------|-----|-----|-----|-----|-----|-----|-----|-----|-----|-----|-----|-----|
| CST/B-60 | 327 | 281 | 165 | 110 | 60 | 150 | 120 | 110 | 60 | 135 | 291 | 190 |
| CBT-40 | 411 | 385 | 197 | 114 | 40 | 52 | - | - | 128 | 150 | 352 | 217 |
| CBT/CBB-60N | 375 | 332 | 258 | 110 | 60 | 125 | 122 | 98 | 100 | 97 | 324 | 206 |
| CBT/CBB-80N | 450 | 390 | 286 | 125 | 80 | 147 | 140 | 120 | 118 | 97 | 374 | 256 |
| CBT/CBB-100N | 511 | 434 | 328 | 140 | 100 | 201 | 184 | 170 | 158 | 101 | 415 | 294 |
| CBT/CBB-130N | 603 | 508 | 353 | 160 | 130 | 216 | 230 | 185 | 204 | 88 | 480 | 348 |



CGT

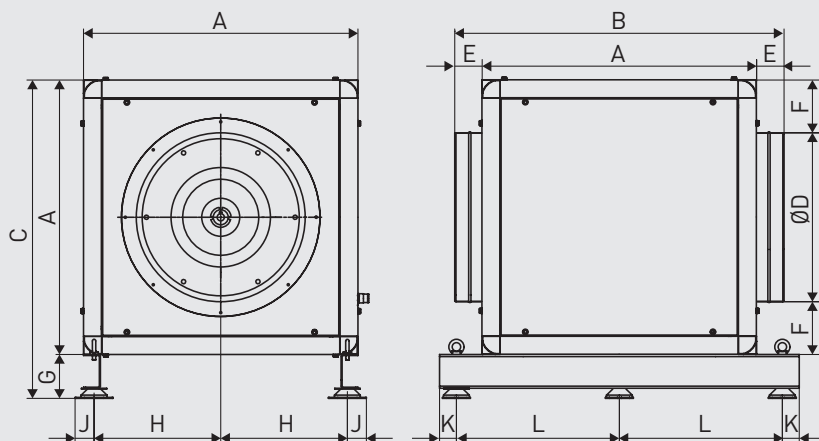


| Modelo | □ A | □ B | C | D | E | F | S | T |
|------------|--------|-----|-----|----|-----|-----|-------|-----|
| 400 | 509 | 423 | 440 | 40 | 520 | 304 | 476,5 | 468 |
| 450 | 567,6 | 473 | 483 | 40 | 563 | 317 | 535,1 | 511 |
| 500 | 638 | 523 | 525 | 40 | 605 | 331 | 594,5 | 561 |
| 560 | 718,6 | 583 | 570 | 40 | 650 | 370 | 675 | 606 |
| 630 | 808 | 653 | 570 | 40 | 650 | 370 | 754,5 | 616 |
| 710 | 907,6 | 750 | 640 | 40 | 720 | 438 | 854,1 | 686 |
| 800 | 1007,6 | 850 | 640 | 40 | 720 | 438 | 954,1 | 686 |



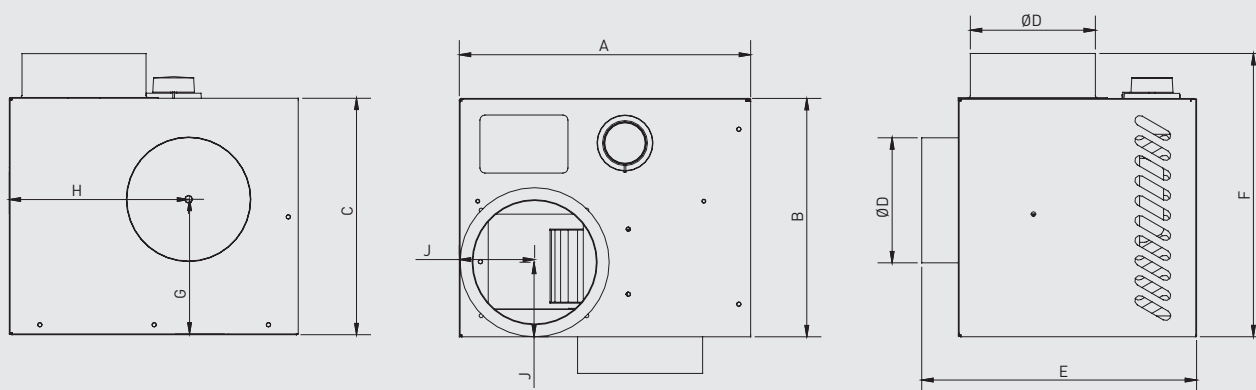
| Modelo | □ A | □ B | C | D | E | F | G | H | S | T |
|-------------|--------|------|-----|----|-----|-----|------|--------|--------|-----|
| 900 | 1126,5 | 950 | 700 | 50 | 700 | 503 | 860 | 1076,5 | 1026,5 | 780 |
| 1000 | 1256,5 | 1055 | 700 | 50 | 700 | 503 | 860 | 1206,5 | 1156,5 | 780 |
| 1250 | 1476,5 | 1275 | 900 | 50 | 900 | 310 | 1060 | 1426,5 | 1376,5 | 980 |

CHAT-N



| Modelo | A | B | C | D | E | F | G | H | J | K | L |
|--------------|------|------|------|-----|----|-------|-----|-------|----|----|-------|
| CHAT/ -400 N | 650 | 780 | 754 | 400 | 65 | 125 | 104 | 300 | 45 | 40 | 386 |
| CHAT/ -450 N | 650 | 760 | 754 | 448 | 55 | 101 | 104 | 300 | 45 | 40 | 386 |
| CHAT/ -500 N | 800 | 910 | 904 | 498 | 55 | 151 | 104 | 375 | 45 | 40 | 461 |
| CHAT/ -560 N | 860 | 970 | 964 | 558 | 55 | 151 | 104 | 405 | 45 | 40 | 470 |
| CHAT/ -630 N | 980 | 1090 | 1084 | 628 | 55 | 176 | 104 | 465 | 45 | 40 | 530 |
| CHAT/ -710 N | 1037 | 1147 | 1141 | 708 | 55 | 164,5 | 104 | 493,5 | 45 | 40 | 558,5 |
| CHAT/ -800 N | 1200 | 1310 | 1304 | 798 | 55 | 201 | 104 | 575 | 45 | 40 | 640 |

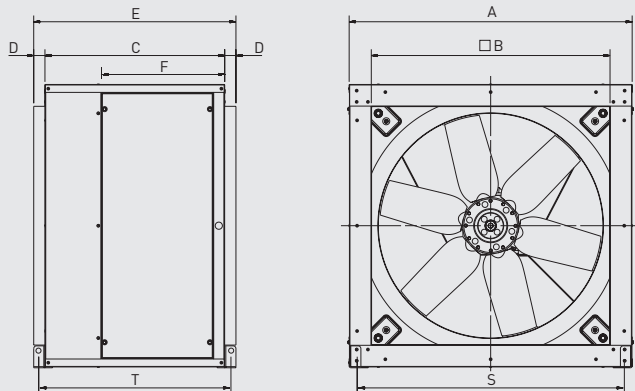
CHEMINAIR



| Modelo | A | B | C | ØD | E | F | G | H | J | Peso (kg) |
|---------------|-----|-----|-----|-----|-----|-----|-----|-----|----|-----------|
| CHEMINAIR 400 | 292 | 238 | 238 | 125 | 275 | 283 | 136 | 180 | 75 | 6 |
| CHEMINAIR 600 | 343 | 278 | 258 | 160 | 315 | 283 | 154 | 214 | 92 | 7,7 |

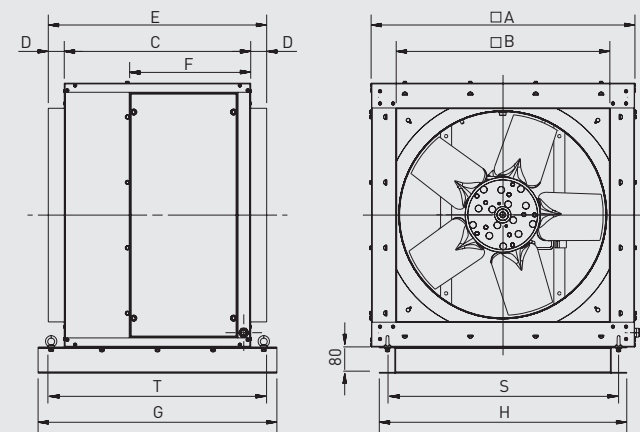
CHGT

Modelos 400 a 800



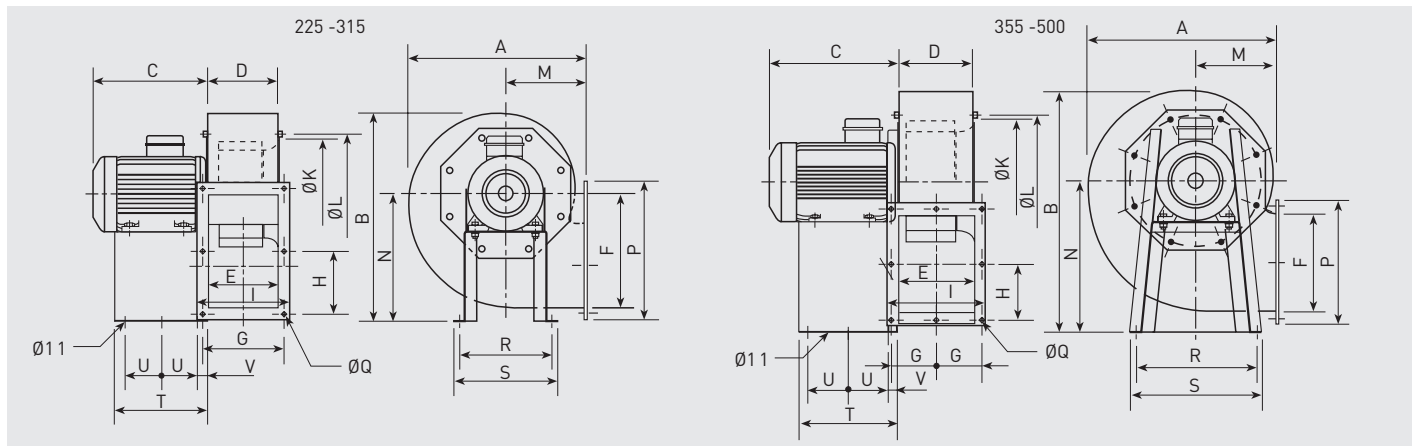
| Modelo | □A | □B | C | D | E | F | S | T |
|--------|--------|-----|-----|----|-----|-----|-------|-----|
| 400 | 509 | 423 | 440 | 40 | 520 | 304 | 476,5 | 468 |
| 450 | 567,6 | 473 | 483 | 40 | 563 | 317 | 535,1 | 511 |
| 500 | 638 | 523 | 525 | 40 | 605 | 331 | 594,5 | 561 |
| 560 | 718,6 | 583 | 570 | 40 | 650 | 370 | 675 | 606 |
| 630 | 808 | 653 | 570 | 40 | 650 | 370 | 754,5 | 616 |
| 710 | 907,6 | 750 | 640 | 40 | 720 | 438 | 854,1 | 686 |
| 800 | 1007,6 | 850 | 640 | 40 | 720 | 438 | 954,1 | 686 |

Modelos 900 a 1250



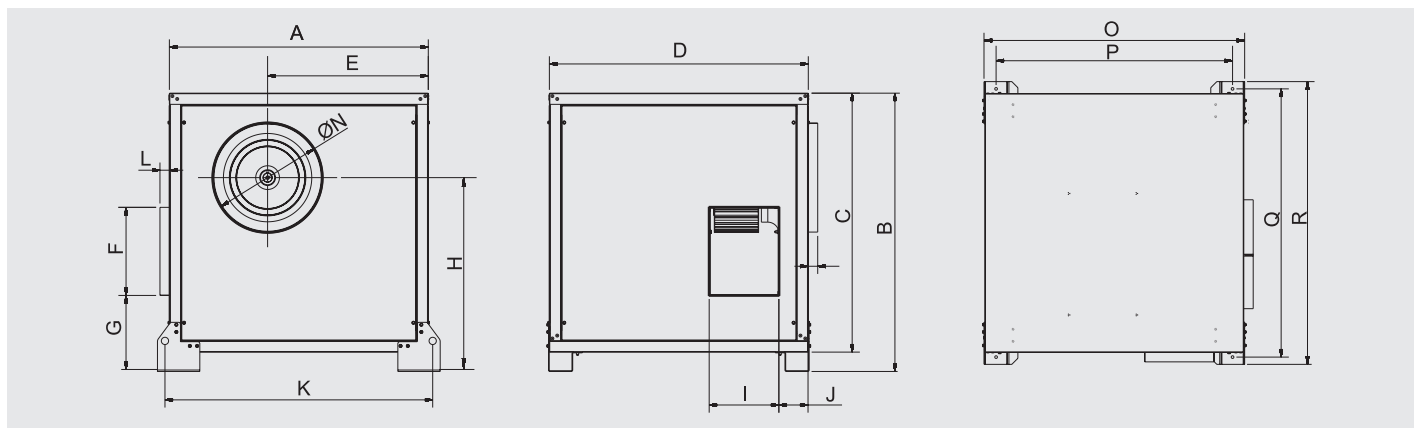
| Modelo | □A | □B | C | D | E | F | G | H | S | T |
|--------|--------|------|-----|----|-----|-----|------|--------|--------|-----|
| 900 | 1126,5 | 950 | 700 | 50 | 700 | 503 | 860 | 1076,5 | 1026,5 | 780 |
| 1000 | 1256,5 | 1055 | 700 | 50 | 700 | 503 | 860 | 1206,5 | 1156,5 | 780 |
| 1250 | 1476,5 | 1275 | 900 | 50 | 900 | 310 | 1060 | 1426,5 | 1376,5 | 980 |

CHMT



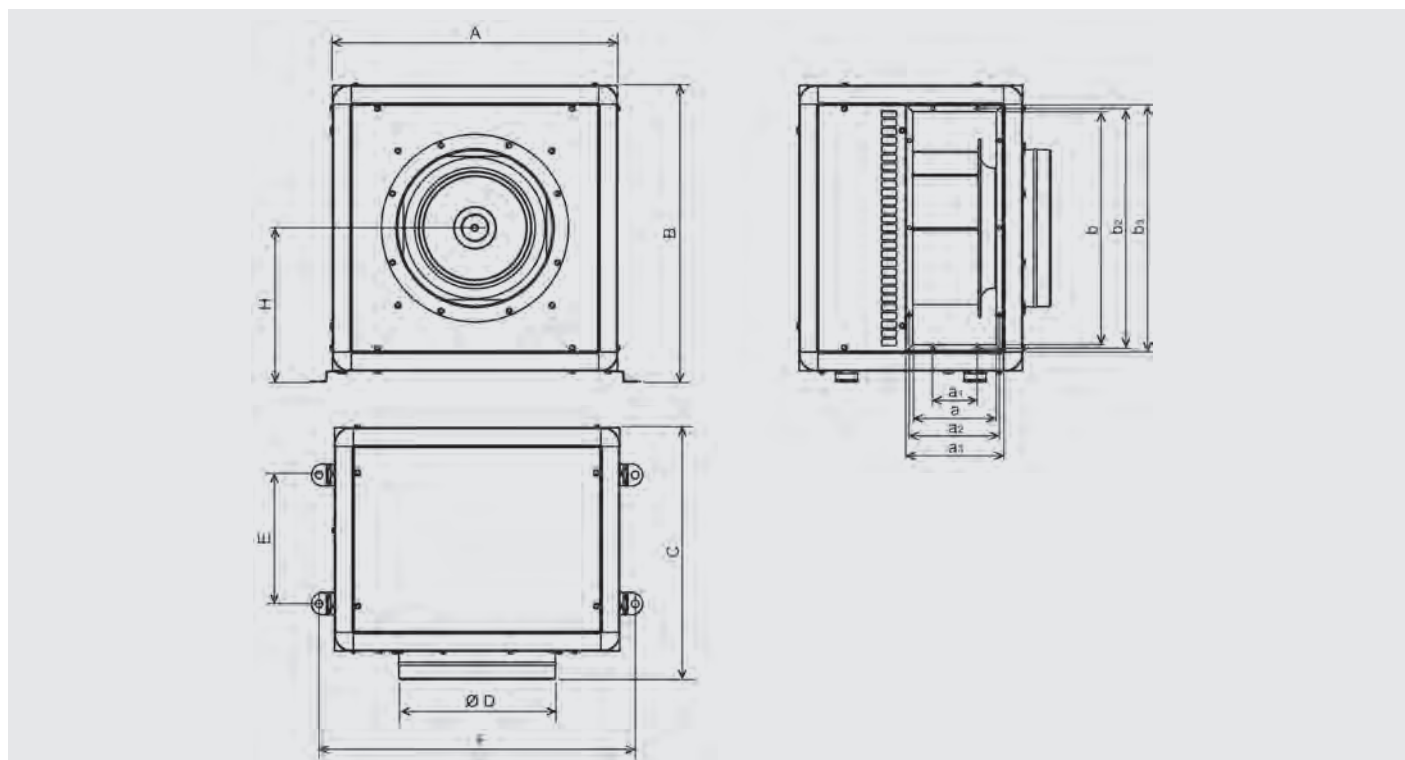
| Modelo CHMT | A | B | C máx. | D | E | F | G | H | I | K | L | M | N | P | Q | R | S | T | U | V |
|-------------|-----|-----|--------|-----|-----|-----|-------|-----|-----|-----|-----|-----|-----|-----|------|-----|-----|-----|---------|----|
| 225/90 | 386 | 452 | 240 | 144 | 140 | 216 | 180 | 128 | 203 | 234 | 256 | 181 | 280 | 279 | 10 | 220 | 250 | 200 | 3x50 | 29 |
| 250/100 | 427 | 503 | 290 | 168 | 165 | 250 | 205 | 145 | 228 | 252 | 282 | 197 | 310 | 313 | 10,5 | 228 | 260 | 225 | 3x74 | 27 |
| 280/115 | 467 | 547 | 320 | 183 | 180 | 300 | 220 | 170 | 243 | 292 | 320 | 215 | 340 | 363 | 10,5 | 245 | 275 | 240 | 2x95 | 27 |
| 315/130 | 525 | 630 | 340 | 203 | 200 | 320 | 240 | 180 | 263 | 325 | 354 | 238 | 390 | 383 | 11 | 322 | 352 | 230 | 2x140 | 20 |
| 355/145 | 566 | 707 | 435 | 231 | 227 | 280 | 133 | 159 | 291 | 365 | 394 | 250 | 445 | 343 | 11 | 420 | 450 | 333 | 2x136,5 | 30 |
| 400/165 | 628 | 792 | 435 | 254 | 249 | 320 | 150 | 185 | 334 | 410 | 438 | 270 | 495 | 404 | 11 | 402 | 438 | 327 | 2x133,5 | 30 |
| 450/185 | 709 | 898 | 391 | 288 | 284 | 360 | 164 | 202 | 368 | 463 | 485 | 302 | 560 | 444 | 11 | 502 | 538 | 340 | 2x140 | 30 |
| 500/205 | 795 | 984 | 526 | 319 | 315 | 450 | 182,5 | 250 | 409 | 513 | 535 | 345 | 610 | 544 | 11 | 613 | 653 | 435 | 2x187,5 | 30 |

CHMTC



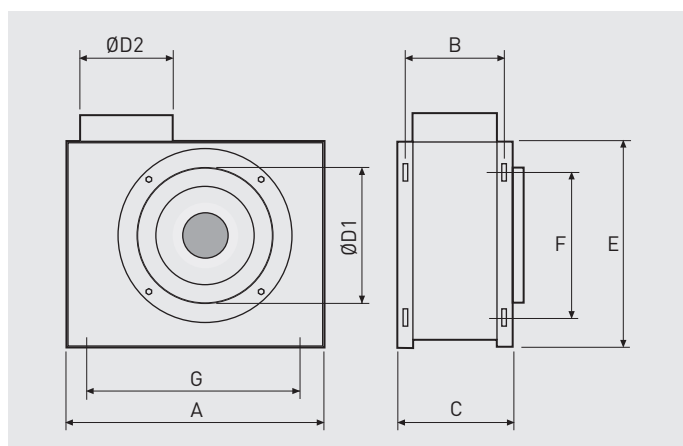
| Modelo | A | B | C | D | E | F | G | H | I | J | K | L | M | N | O | P | Q | R |
|------------|------|------|------|------|-----|-----|-----|-----|-----|-----|------|----|----|-----|------|------|------|------|
| CHMTC- 225 | 660 | 740 | 660 | 660 | 380 | 253 | 190 | 431 | 168 | 105 | 696 | 40 | 40 | 224 | 668 | 568 | 698 | 758 |
| CHMTC- 250 | 660 | 740 | 660 | 660 | 383 | 253 | 190 | 461 | 168 | 105 | 696 | 40 | 40 | 250 | 668 | 568 | 698 | 758 |
| CHMTC- 280 | 800 | 880 | 800 | 800 | 480 | 303 | 219 | 521 | 183 | 111 | 836 | 40 | 40 | 280 | 807 | 707 | 838 | 898 |
| CHMTC- 315 | 800 | 880 | 800 | 800 | 458 | 303 | 268 | 571 | 203 | 111 | 836 | 40 | 40 | 280 | 807 | 707 | 838 | 898 |
| CHMTC- 355 | 880 | 960 | 880 | 880 | 526 | 283 | 263 | 646 | 231 | 115 | 916 | 40 | 40 | 355 | 887 | 787 | 918 | 978 |
| CHMTC- 400 | 970 | 1050 | 970 | 970 | 596 | 324 | 283 | 716 | 254 | 120 | 1006 | 40 | 40 | 400 | 977 | 877 | 1008 | 1068 |
| CHMTC- 450 | 1070 | 1150 | 1070 | 1070 | 664 | 364 | 314 | 801 | 288 | 120 | 1106 | 40 | 40 | 450 | 1077 | 977 | 1108 | 1168 |
| CHMTC- 500 | 1160 | 1240 | 1160 | 1160 | 711 | 454 | 299 | 841 | 319 | 120 | 1196 | 40 | 40 | 500 | 1160 | 1067 | 1198 | 1258 |

CHVB/CHVT



| Modelo | A | B | C | D | E | F | H | a | a1 | a2 | a3 | b | b2 | b3 |
|-----------------|-----|-----|-----|-----|-----|-----|-----|-----|-----|-----|-----|-----|-----|-----|
| CHVB/4-3000/315 | 548 | 573 | 527 | 315 | 247 | 618 | 299 | 149 | 118 | 162 | 183 | 429 | 441 | 463 |
| CHVB/4-4000/355 | 648 | 673 | 572 | 355 | 292 | 718 | 349 | 187 | 167 | 201 | 221 | 529 | 541 | 563 |
| CHVB/4-6000/400 | 798 | 823 | 586 | 400 | 306 | 868 | 424 | 196 | 169 | 210 | 230 | 679 | 694 | 713 |
| CHVT/4-3000/315 | 548 | 573 | 527 | 315 | 247 | 618 | 299 | 149 | 118 | 162 | 183 | 429 | 441 | 463 |
| CHVT/4-4000/355 | 648 | 673 | 572 | 355 | 292 | 718 | 349 | 187 | 167 | 201 | 221 | 529 | 541 | 563 |
| CHVT/4-6000/400 | 798 | 823 | 586 | 400 | 306 | 868 | 424 | 196 | 169 | 210 | 230 | 679 | 694 | 713 |

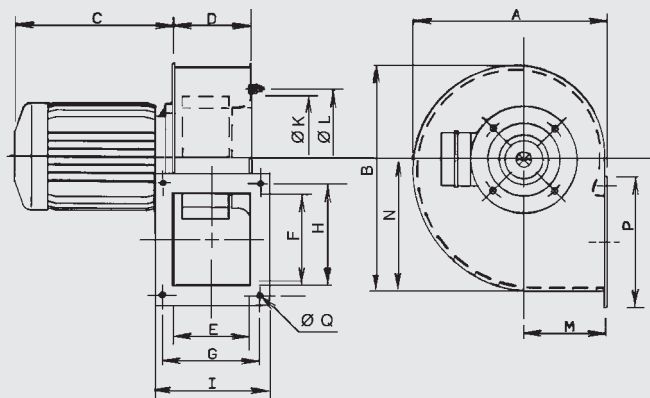
CKB-N



| Modelo | A | B | C | D1 | D2 | E | F | G |
|------------|-----|-----|-----|-----|-----|-----|-----|-----|
| CKB-800 N | 408 | 163 | 183 | 198 | 148 | 338 | 265 | 295 |
| CKB-1500 N | 469 | 193 | 213 | 248 | 198 | 419 | 346 | 355 |

CMB/CMT

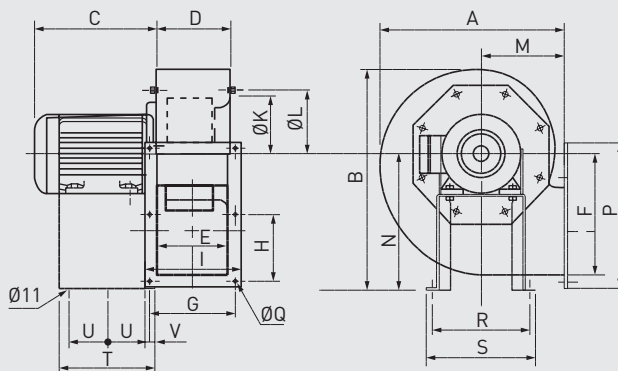
Serie 1



| Modelo | A | B | C1 | | D | E | F | G | H | I | K | L | M | N | P | Q |
|--------|-----|-----|-----|-----|-------|-----|-----|-----|-----|-----|-------|-----|-----|-----|-----|-----|
| | | | 2* | 4* | | | | | | | | | | | | |
| 120/50 | 180 | 203 | 153 | 153 | 74,5 | 72 | 85 | 92 | 105 | 106 | 113 | 132 | 81 | 116 | 118 | 5,5 |
| 140/50 | 222 | 249 | 177 | 153 | 82,5 | 80 | 105 | 105 | 128 | 123 | 144 | 152 | 100 | 147 | 147 | 7 |
| 160/60 | 254 | 293 | 207 | 153 | 102,5 | 100 | 120 | 128 | 148 | 153 | 166 | 180 | 109 | 171 | 172 | 7 |
| 180/75 | 302 | 347 | 232 | 177 | 117,5 | 115 | 140 | 145 | 170 | 168 | 187,5 | 210 | 128 | 203 | 192 | 9 |
| 200/60 | 300 | 347 | 207 | - | 107,5 | 105 | 100 | 135 | 128 | 158 | 209 | 230 | 128 | 203 | 152 | 9 |
| 200/80 | 321 | 375 | 232 | 207 | 132,5 | 130 | 160 | 160 | 188 | 183 | 209 | 230 | 138 | 222 | 212 | 9 |

* Número de polos.

Serie 2

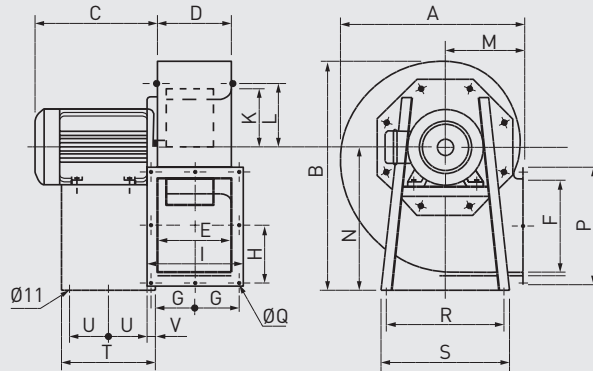


| Modelo | A | B | C1 | | D | E | F | G | H | I | K | L | M | N | P | Q | R | S | T | U | V |
|---------|-----|-----|-----|-----|-----|-----|-----|-----|-----|-----|-----|-----|-----|-----|-----|----|-----|-----|-----|-------|----|
| | | | 2* | 4* | | | | | | | | | | | | | | | | | |
| 225/90 | 386 | 452 | 248 | 235 | 144 | 140 | 216 | 180 | 128 | 203 | 234 | 256 | 181 | 280 | 279 | 10 | 220 | 250 | 200 | 3x50 | 29 |
| 250/100 | 425 | 501 | 300 | 248 | 169 | 165 | 250 | 205 | 145 | 228 | 261 | 282 | 197 | 310 | 313 | 10 | 228 | 260 | 225 | 3x74 | 27 |
| 280/115 | 471 | 553 | 320 | 300 | 184 | 184 | 300 | 220 | 170 | 243 | 293 | 320 | 216 | 340 | 363 | 10 | 245 | 275 | 240 | 2x95 | 27 |
| 315/130 | 524 | 628 | - | 320 | 206 | 200 | 320 | 240 | 180 | 263 | 326 | 354 | 238 | 390 | 383 | 11 | 322 | 352 | 230 | 2x140 | 20 |

* Número de polos.

CMB/CMT

Serie 3



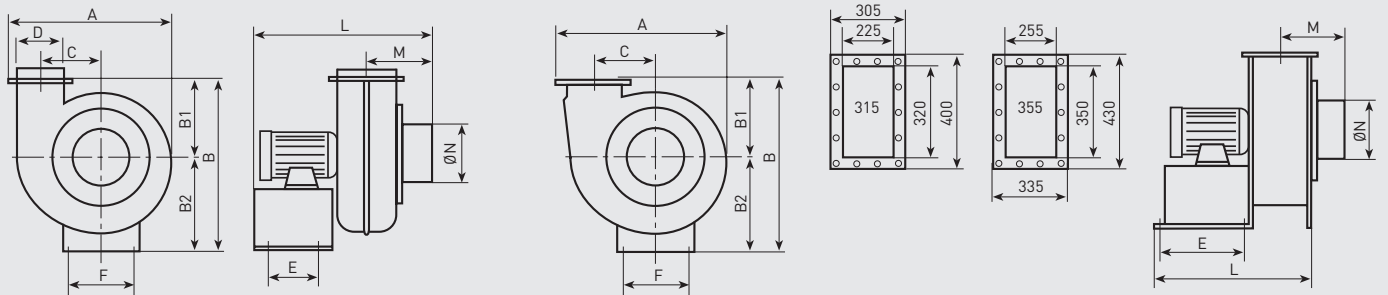
| Modelo | A | B | C máx. | | D | E | F | G | H | I | K | L | M | N | P | Q | R | S | T | U | V |
|---------|-----|-----|--------|-----|-----|-----|-----|-------|-----|-----|-----|-----|-----|-----|-----|----|-----|-----|-----|---------|----|
| | | | /4* | /6* | | | | | | | | | | | | | | | | | |
| 355/145 | 572 | 713 | 390 | 320 | 231 | 228 | 280 | 133 | 159 | 291 | 367 | 394 | 250 | 445 | 343 | 11 | 420 | 450 | 333 | 2x136,5 | 30 |
| 400/165 | 632 | 796 | 425 | 340 | 254 | 250 | 320 | 150 | 185 | 334 | 413 | 438 | 270 | 495 | 404 | 11 | 402 | 438 | 327 | 2x133,5 | 30 |
| 450/185 | 709 | 898 | 425 | 340 | 288 | 284 | 360 | 164 | 202 | 368 | 463 | 485 | 302 | 560 | 444 | 11 | 502 | 538 | 340 | 2x140 | 30 |
| 500/205 | 795 | 984 | 550 | - | 319 | 315 | 450 | 182,5 | 250 | 409 | 513 | 535 | 345 | 610 | 544 | 11 | 613 | 653 | 435 | 2x187,5 | 30 |

* Número de polos.

CMPB/CMPT (1)

CMPB/CMPT-140 a 250

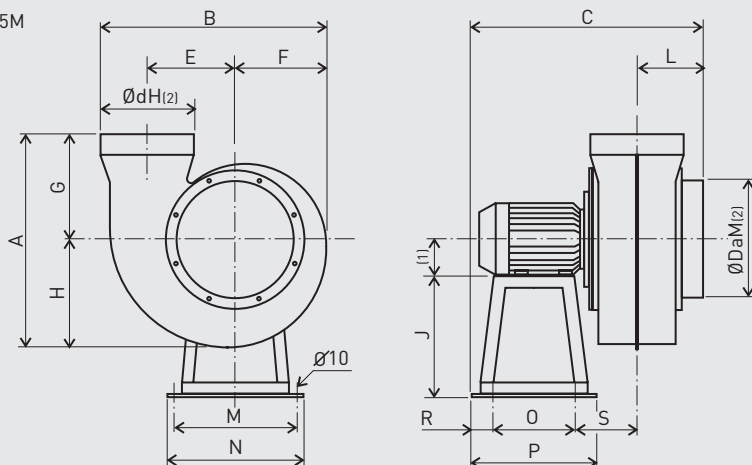
CMPT-315 y 355



| Modelo | A | B | B1 | B2 | C | E | F | L | M | ØN | ØD |
|--------|-----|-----|-----|-----|-----|-----|-----|-----|-----|-----|-----|
| 140 | 410 | 480 | 180 | 250 | 130 | 125 | 210 | 350 | 100 | 140 | 140 |
| 160 | 445 | 525 | 200 | 260 | 150 | 125 | 210 | 440 | 130 | 160 | 160 |
| 200 | 590 | 700 | 275 | 360 | 240 | 160 | 295 | 480 | 182 | 200 | 200 |
| 250 | 790 | 905 | 375 | 465 | 290 | 200 | 486 | 620 | 215 | 250 | 250 |
| 315 | 913 | 840 | 380 | 460 | 340 | 305 | 390 | 598 | 220 | 315 | - |
| 355 | 990 | 907 | 395 | 512 | 375 | 320 | 380 | 621 | 260 | 355 | - |

CMPB/CMPT (2)

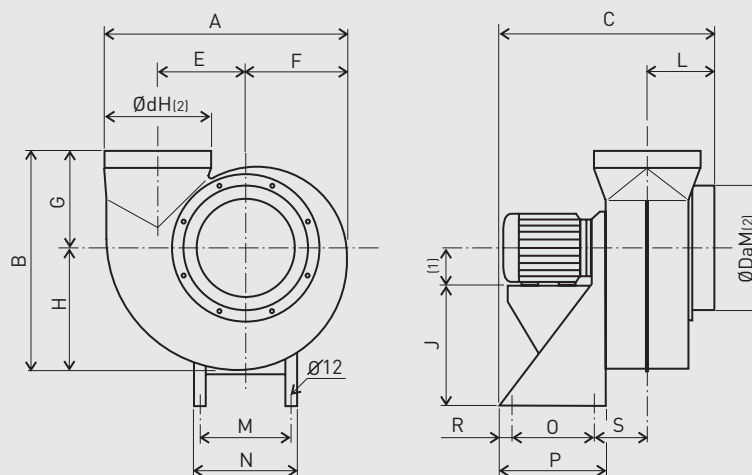
CMPB/CMPT-14, 20, 23, 24, 25 y 25M



[1] Tamaño motor: para dimensión, ver cuadro de características. [2] M: Brida macho, H: Brida hembra

| Modelo | A | B | C | Da | E | F | G | H | J | L | M | N | O | P | R | S | a | b | d |
|---------------|-----|-----|-----|-----|-----|-----|-----|-----|-----|-----|-----|-----|-----|-----|----|-----|---|---|-----|
| CMPB/CMPT-14 | 325 | 284 | 332 | 125 | 103 | 118 | 189 | 136 | 130 | 87 | 175 | 200 | 130 | 200 | 35 | 80 | - | - | 125 |
| CMPB/CMPT-20 | 501 | 418 | 420 | 200 | 148 | 170 | 300 | 201 | 200 | 120 | 215 | 240 | 170 | 240 | 35 | 95 | - | - | 200 |
| CMPB/CMPT-23 | 456 | 485 | 505 | 250 | 183 | 202 | 220 | 236 | 250 | 145 | 255 | 280 | 175 | 280 | 53 | 132 | - | - | 200 |
| CMPB/CMPT-24 | 570 | 520 | 487 | 250 | 185 | 210 | 320 | 250 | 250 | 129 | 255 | 280 | 175 | 280 | 53 | 130 | - | - | 250 |
| CMPB/CMPT-25 | 570 | 520 | 487 | 250 | 185 | 210 | 320 | 250 | 250 | 129 | 255 | 280 | 175 | 280 | 53 | 130 | - | - | 250 |
| CMPB/CMPT-25M | 456 | 485 | 505 | 250 | 183 | 202 | 220 | 236 | 250 | 145 | 255 | 280 | 175 | 280 | 53 | 132 | - | - | 200 |

CMPB/CMPT-30

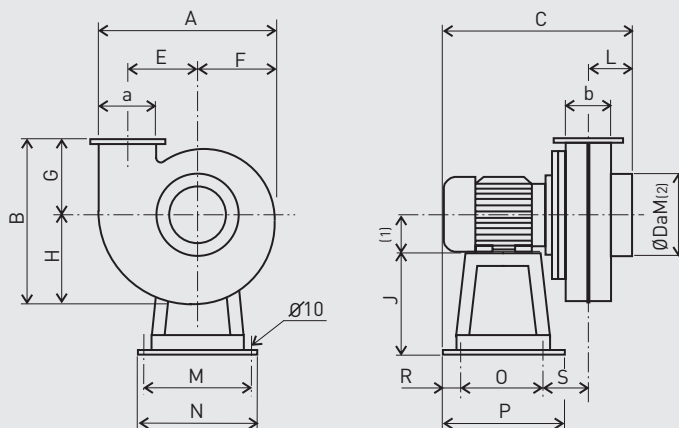


[1] Tamaño motor: para dimensión, ver cuadro de características. [2] M: Brida macho, H: Brida hembra

| Modelo | A | B | C | Da | E | F | G | H | J | L | M | N | O | P | R | S | a | b | d |
|--------------|-----|-----|-----|-----|-----|-----|-----|-----|-----|-----|-----|-----|-----|-----|----|-----|---|---|-----|
| CMPB/CMPT-30 | 598 | 545 | 565 | 315 | 222 | 251 | 245 | 300 | 310 | 185 | 234 | 260 | 175 | 275 | 50 | 155 | - | - | 250 |

CMPB/CMPT (2)

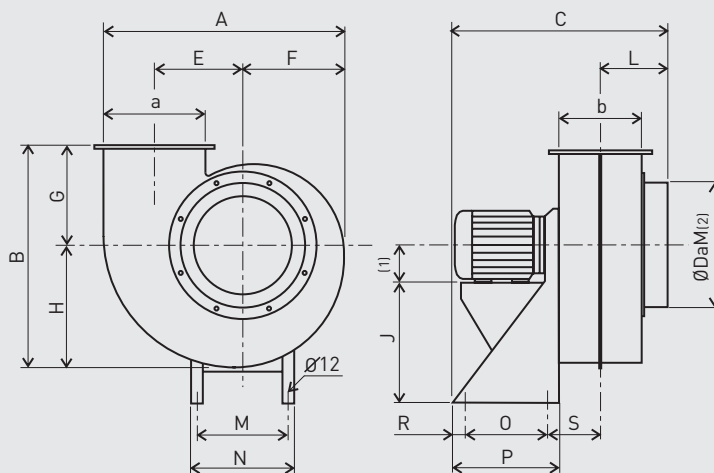
CMPB/CMPT-20A y 25A



(1) Tamaño motor: para dimensión, ver cuadro de características. (2) M: Brida macho

| Modelo | A | B | C | Da | E | F | G | H | J | L | M | N | O | P | R | S | a | b | d |
|---------------|-----|-----|-----|-----|-----|-----|-----|-----|-----|-----|-----|-----|-----|-----|----|-----|-----|-----|---|
| CMPB/CMPT-20A | 349 | 325 | 370 | 160 | 140 | 157 | 148 | 177 | 200 | 85 | 215 | 240 | 170 | 240 | 35 | 80 | 105 | 90 | - |
| CMPB/CMPT-25A | 433 | 394 | 444 | 160 | 175 | 193 | 175 | 219 | 250 | 104 | 255 | 280 | 175 | 280 | 53 | 112 | 130 | 115 | - |

CMPB/CMPT-30A, 35 y CMPT 42

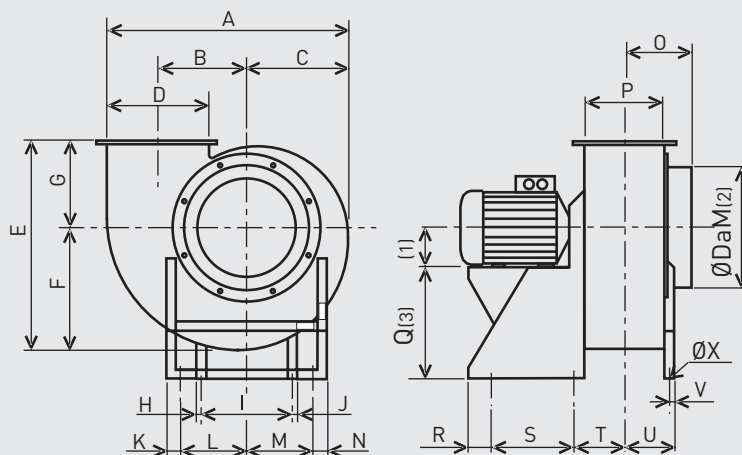


(1) Tamaño motor: para dimensión, ver cuadro de características. (2) M: Brida macho

| Modelo | A | B | C | Da | E | F | G | H | J | L | M | N | O | P | R | S | a | b | d |
|---------------|-----|-----|-----|-----|-----|-----|-----|-----|-----|-----|-----|-----|-----|-----|----|-----|-----|-----|---|
| CMPB/CMPT-30A | 525 | 494 | 510 | 200 | 211 | 237 | 225 | 269 | 310 | 155 | 234 | 260 | 175 | 275 | 50 | 130 | 155 | 140 | - |
| CMPB/CMPT-35 | 696 | 626 | 660 | 355 | 259 | 297 | 275 | 353 | 320 | 210 | 285 | 380 | 200 | 300 | 50 | 170 | 280 | 225 | - |
| CMPT-42 | 835 | 724 | 810 | 400 | 310 | 357 | 300 | 424 | 410 | 245 | 315 | 350 | 250 | 350 | 50 | 197 | 335 | 270 | - |

CMPB/CMPT (2)

CMPT-50, 60 y 70

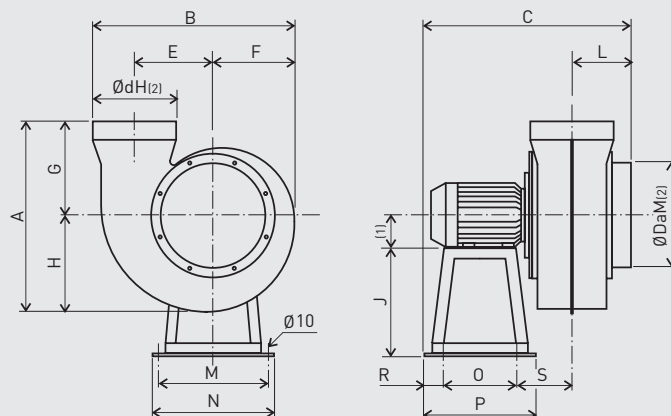


(1) Tamaño motor: para dimensión, ver cuadro de características. (2) M: Brida macho. (3) Esta dimensión es diferente en versión RD/LG270.

| Modelo | A | B | C | D | E | F | G | H | I | J | K | L | M | N | O | P | Q | R | S | T | U | V | X | Da |
|----------------|------|-----|-----|-----|------|-----|-----|----|-----|----|----|-----|-----|----|-----|-----|-----|----|-----|-----|-----|----|----|-----|
| CMPT-50 | 993 | 370 | 423 | 400 | 861 | 503 | 358 | 20 | 380 | 20 | 60 | 275 | 275 | 60 | 280 | 320 | 470 | 60 | 360 | 231 | 201 | 20 | 14 | 500 |
| CMPT-60 | 1191 | 444 | 507 | 480 | 1029 | 603 | 426 | 25 | 450 | 25 | 60 | 355 | 355 | 60 | 325 | 385 | 540 | 60 | 360 | 270 | 250 | 25 | 14 | 600 |
| CMPT-70 | 1387 | 518 | 483 | 560 | 1193 | 701 | 492 | 25 | 520 | 25 | 70 | 385 | 385 | 70 | 365 | 450 | 700 | 70 | 350 | 310 | 285 | 25 | 14 | 700 |

CMPT ATEX

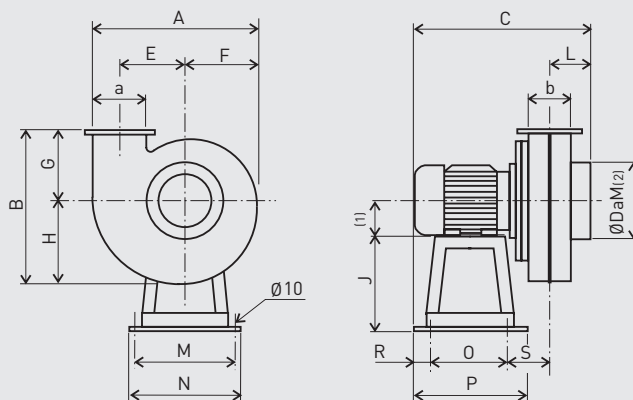
CMPT 14, 20 y 25



(1) Tamaño motor: para dimensión, ver cuadro de características. (2) M: Brida macho, H: Brida hembra

| Modelo | A | B | C | Da | E | F | G | H | J | L | M | N | O | P | R | S | a | b | d |
|---------|-----|-----|-----|-----|-----|-----|-----|-----|-----|-----|-----|-----|-----|-----|----|-----|---|---|-----|
| CMPT 14 | 325 | 284 | 317 | 125 | 103 | 118 | 189 | 136 | 130 | 72 | 175 | 200 | 130 | 200 | 35 | 80 | - | - | 125 |
| CMPT 20 | 501 | 418 | 420 | 200 | 148 | 170 | 300 | 201 | 200 | 120 | 215 | 240 | 170 | 240 | 35 | 95 | - | - | 200 |
| CMPT 25 | 570 | 520 | 487 | 250 | 185 | 210 | 320 | 250 | 250 | 129 | 255 | 280 | 175 | 280 | 53 | 130 | - | - | 250 |

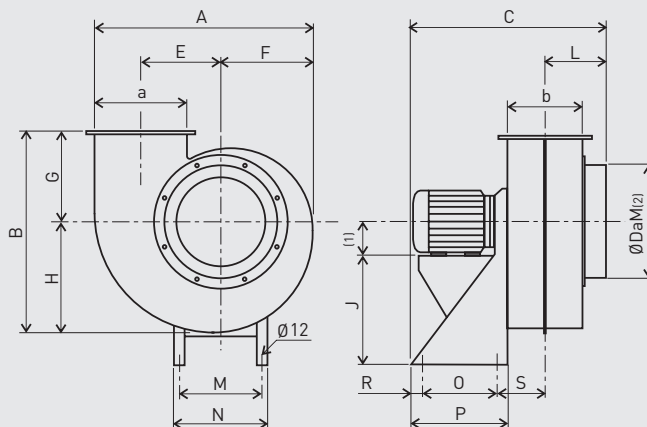
CMPT 20A



(1) Tamaño motor: para dimensión, ver cuadro de características. (2) M: Brida macho, H: Brida hembra

| Modelo | A | B | C | Da | E | F | G | H | J | L | M | N | O | P | R | S | a | b |
|----------|-----|-----|-----|-----|-----|-----|-----|-----|-----|----|-----|-----|-----|-----|----|----|-----|----|
| CMPT 20A | 349 | 325 | 370 | 160 | 140 | 157 | 148 | 177 | 200 | 85 | 215 | 240 | 170 | 240 | 35 | 80 | 105 | 90 |

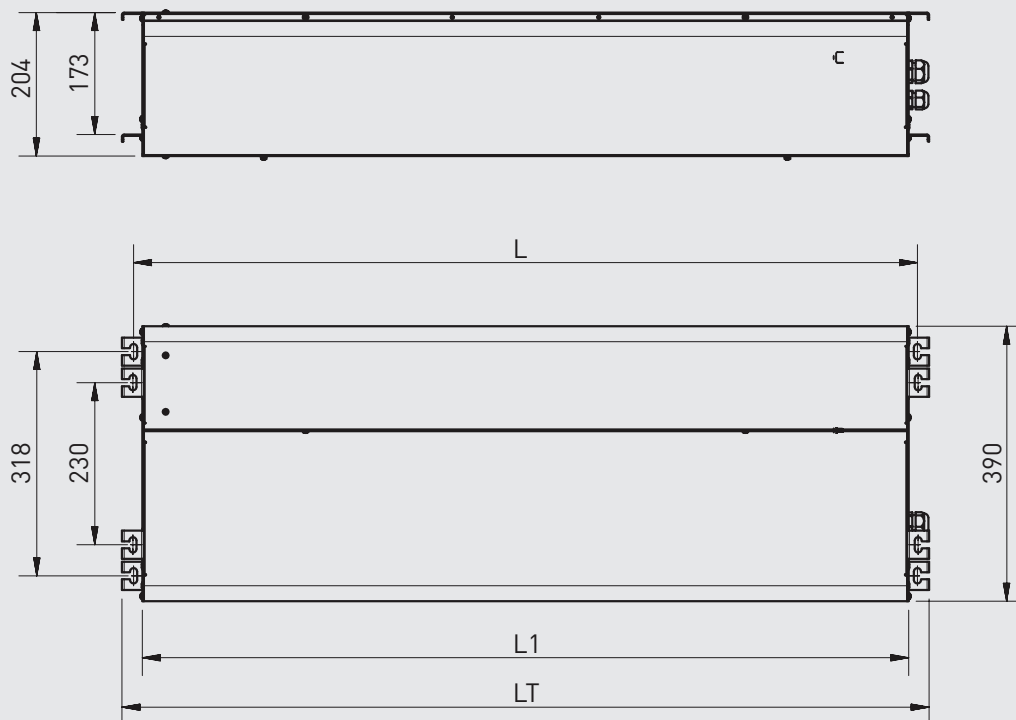
CMPT 30, 35 y 42



(1) Tamaño motor: para dimensión, ver cuadro de características. (2) M: Brida macho

| Modelo | A | B | C | Da | E | F | G | H | J | L | M | N | O | P | R | S | a | b |
|---------|-----|-----|-----|-----|-----|-----|-----|-----|-----|-----|-----|-----|-----|-----|----|-----|-----|-----|
| CMPT 30 | 593 | 515 | 565 | 315 | 222 | 251 | 215 | 300 | 310 | 185 | 234 | 260 | 175 | 275 | 50 | 155 | 240 | 195 |
| CMPT 35 | 696 | 626 | 660 | 355 | 259 | 297 | 275 | 353 | 320 | 210 | 285 | 380 | 200 | 300 | 50 | 170 | 280 | 225 |
| CMPT 42 | 835 | 724 | 810 | 400 | 310 | 357 | 300 | 424 | 410 | 245 | 315 | 350 | 250 | 350 | 50 | 197 | 335 | 270 |

COR-FT

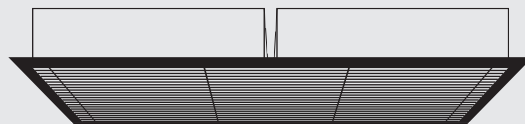
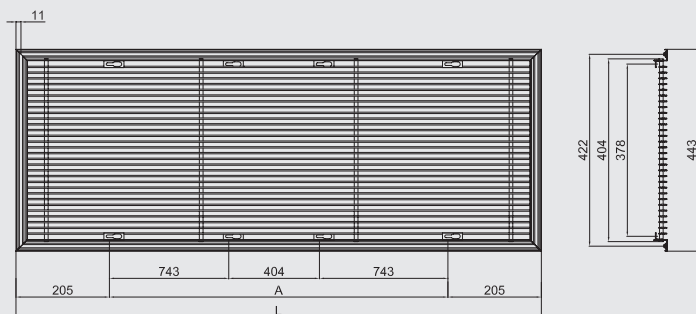


| Modelo | Dimensiones (mm) | | |
|--------|------------------|------|------|
| | L | L1 | LT |
| 1000 | 1115 | 1087 | 1145 |
| 1500 | 1722 | 1694 | 1752 |

REJAS PARA CORTINAS DE FALSO TECHO

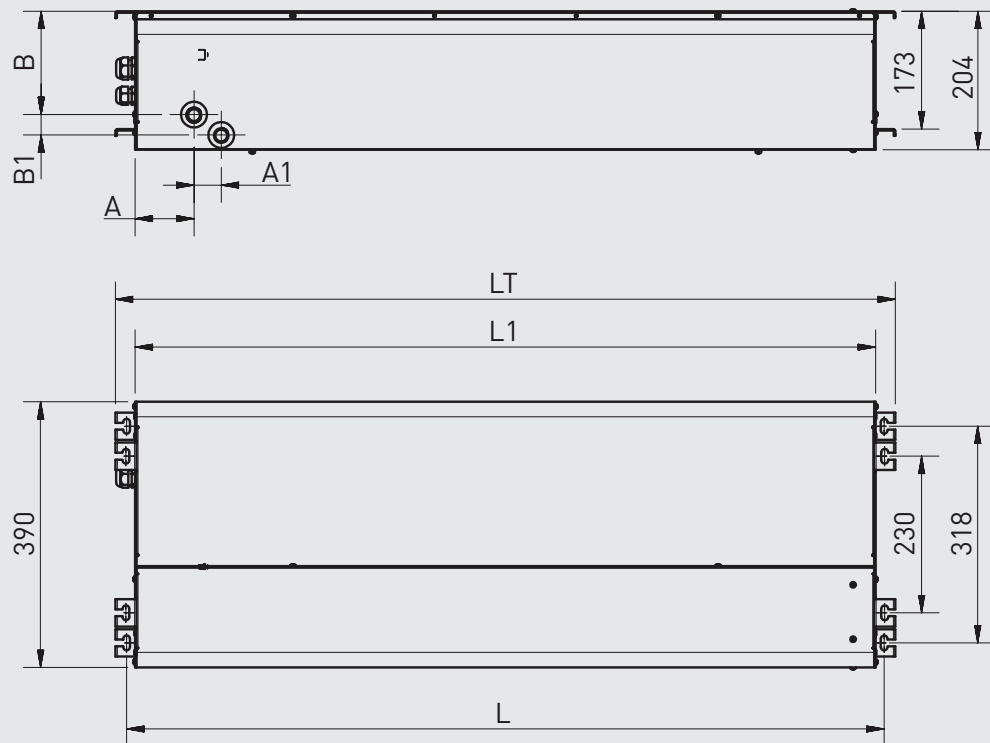
Dimensiones reja (mm)
La reja no se incluye con el producto.
Debe pedirse por separado.

| Modelo | Dimensiones (mm) | | Peso (kg) |
|------------------|------------------|------|-----------|
| | L | A | |
| REJA COR-FT 1000 | 1153 | 743 | 5 |
| REJA COR-FT 1500 | 1760 | 1350 | 7 |
| REJA COR-FT-2000 | 2300 | 1890 | 10 |



2 un. COR-1000 FT o COR-1000 FTW + 1 REJA COR-FT 2000

COR-FTW

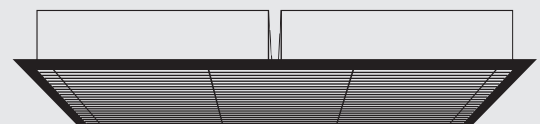
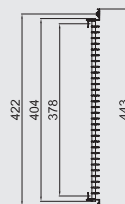
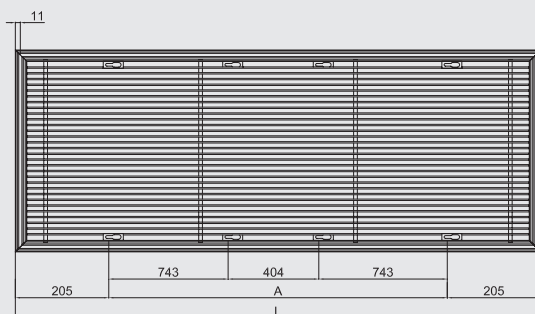


| Modelo | Dimensiones (mm) | | | | | | |
|-------------|------------------|----|-------|----|------|------|------|
| | A | A1 | B | B1 | L | L1 | LT |
| 1000 | 86,5 | 40 | 151,5 | 30 | 1115 | 1087 | 1145 |
| 1500 | 86,5 | 40 | 151,5 | 30 | 1722 | 1694 | 1752 |

REJAS PARA CORTINAS DE FALSO TECHO

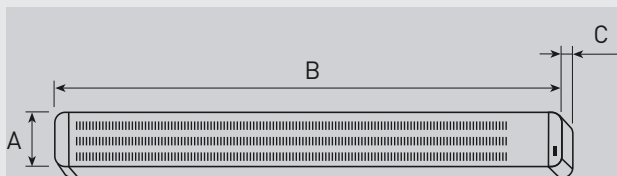
Dimensiones reja (mm)
La reja no se incluye con el producto.
Debe pedirse por separado.

| Modelo | Dimensiones (mm) | | Peso (kg) |
|-------------------------|------------------|------|-----------|
| | L | A | |
| REJA COR-FT 1000 | 1153 | 743 | 5 |
| REJA COR-FT 1500 | 1760 | 1350 | 7 |
| REJA COR-FT-2000 | 2300 | 1890 | 10 |



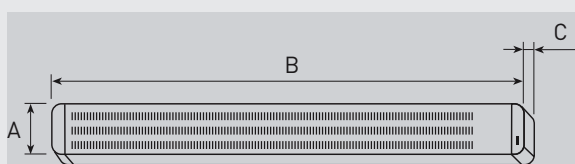
2 un. COR-1000 FT o COR-1000 FTW + 1 REJA COR-FT 2000

COR-IND



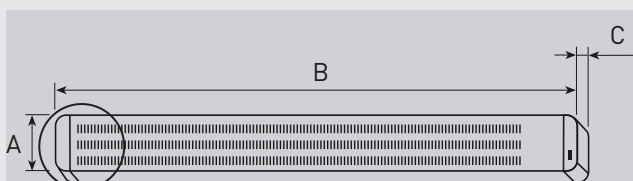
| Modelo | Dimensiones (mm) |
|--------|------------------------|
| 1000 | A: 315 B: 1.390 C: 405 |
| 1500 | A: 315 B: 1.970 C: 405 |

COR-IND M

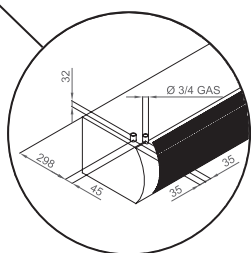


| Modelo | Dimensiones (mm) |
|--------|------------------------|
| 1000 | A: 315 B: 1.390 C: 405 |
| 1500 | A: 315 B: 1.970 C: 405 |

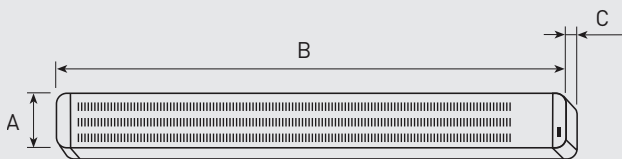
COR-IND MW



| Modelo | Dimensiones (mm) |
|--------|------------------------|
| 1000 | A: 315 B: 1.390 C: 405 |
| 1500 | A: 315 B: 1.970 C: 405 |



COR-N



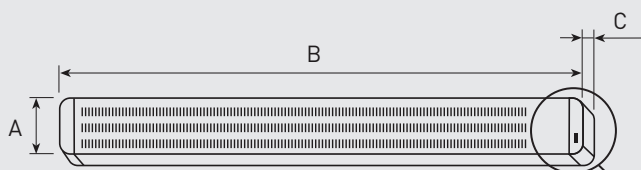
| Modelo | Dimensiones (mm) |
|--------|------------------------|
| 1000 | A: 210 B: 1.080 C: 250 |
| 1500 | A: 210 B: 1.686 C: 250 |
| 2000 | A: 210 B: 2.186 C: 250 |

COR-N RF

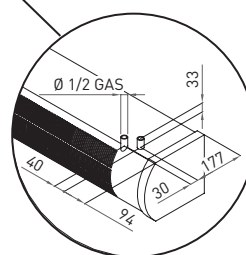


| Modelo | Dimensiones (mm) |
|--------|------------------------|
| 1000 | A: 210 B: 1.080 C: 250 |
| 1500 | A: 210 B: 1.686 C: 250 |
| 2000 | A: 210 B: 2.186 C: 250 |

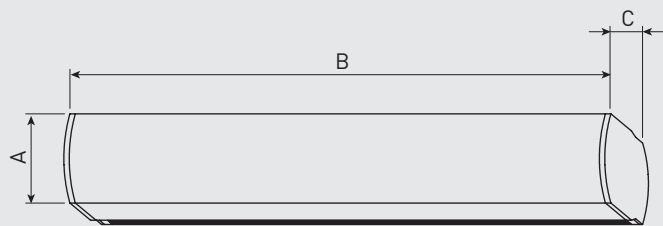
COR-NW



| Modelo | Dimensiones (mm) |
|--------|------------------------|
| 1000 | A: 210 B: 1.080 C: 250 |
| 1500 | A: 210 B: 1.686 C: 250 |
| 2000 | A: 210 B: 2.186 C: 250 |

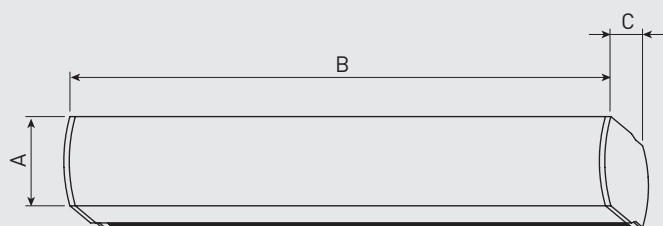


COR-PRO



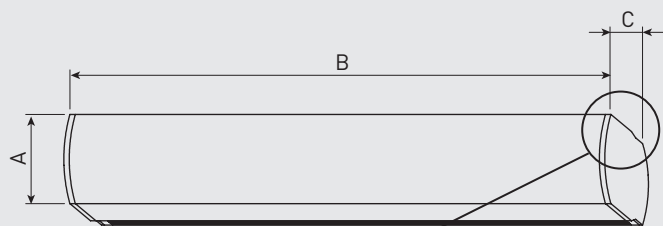
| Modelo | Dimensiones (mm) |
|--------|------------------------|
| 1000 | A: 330 B: 1.000 C: 700 |
| 1500 | A: 330 B: 1.500 C: 700 |
| 2000 | A: 330 B: 2.000 C: 700 |

COR-PRO-N

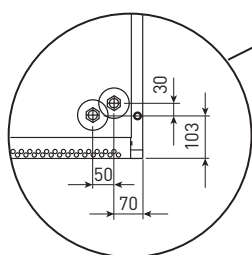


| Modelo | Dimensiones (mm) |
|--------|------------------------|
| 1000 | A: 290 B: 1.000 C: 515 |
| 1500 | A: 290 B: 1.500 C: 515 |
| 2000 | A: 290 B: 2.000 C: 515 |
| 2500 | A: 290 B: 2.500 C: 515 |

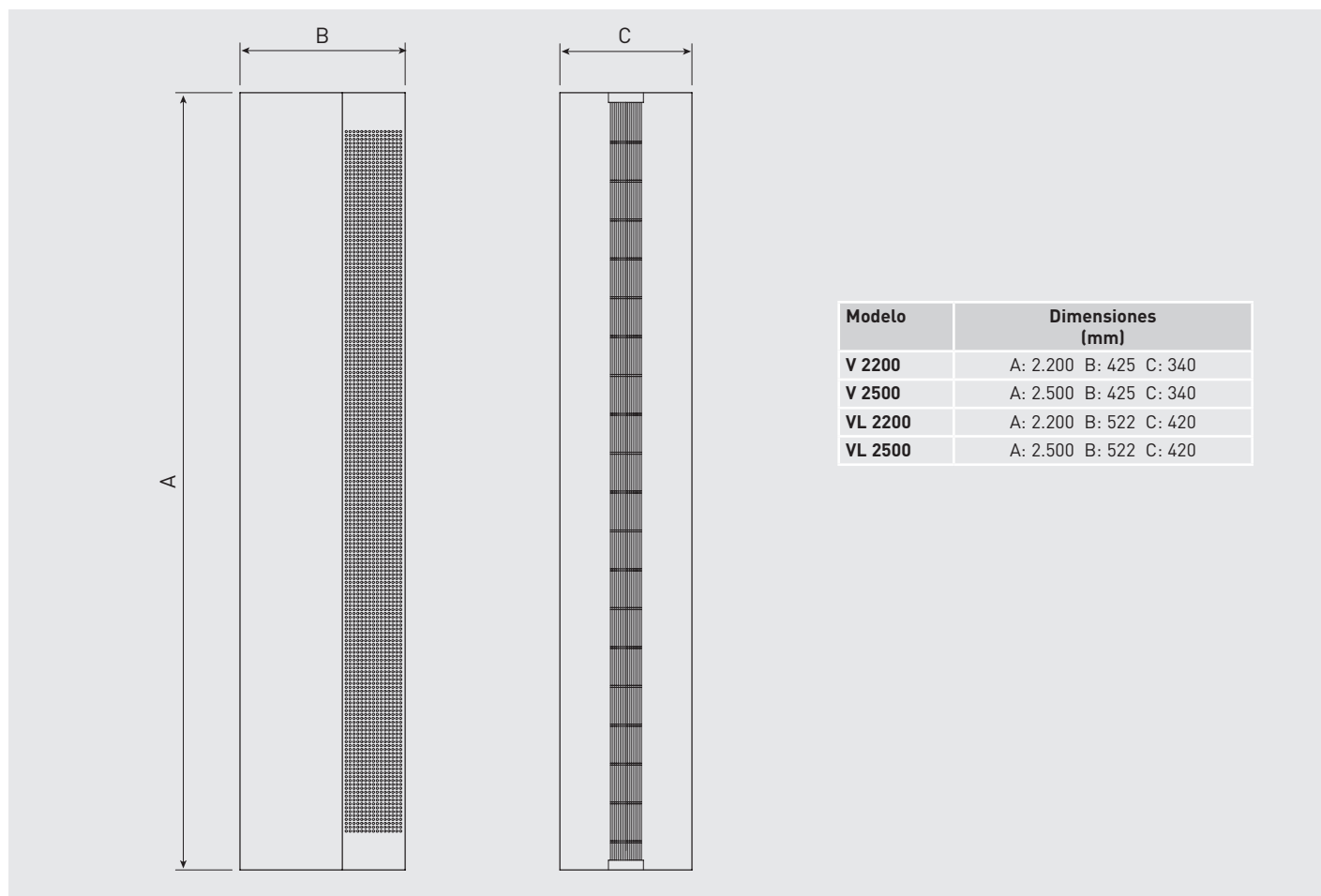
COR-PRO-N W



| Modelo | Dimensiones (mm) |
|--------|------------------------|
| 1000 | A: 290 B: 1.000 C: 515 |
| 1500 | A: 290 B: 1.500 C: 515 |
| 2000 | A: 290 B: 2.000 C: 515 |
| 2500 | A: 290 B: 2.500 C: 515 |

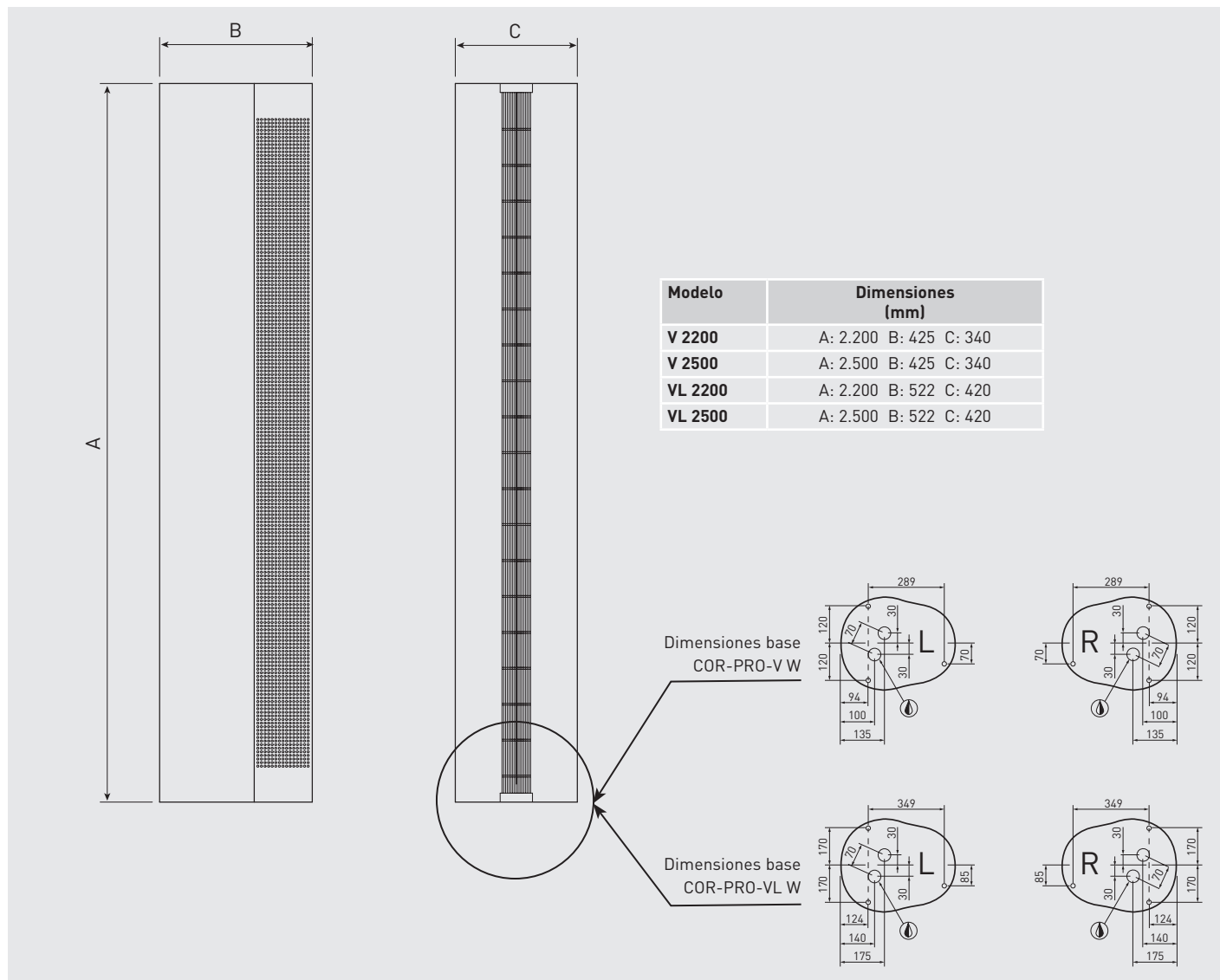


COR-PRO-V

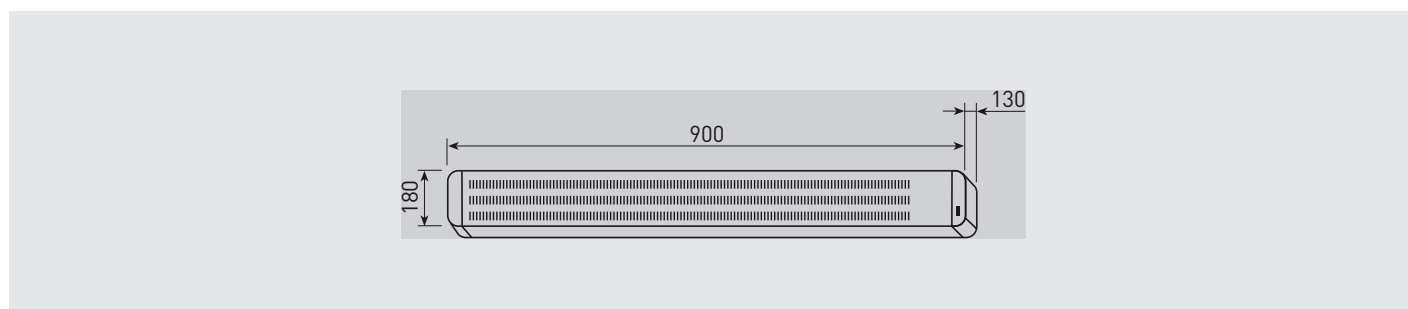


| Modelo | Dimensiones (mm) |
|---------|------------------------|
| V 2200 | A: 2.200 B: 425 C: 340 |
| V 2500 | A: 2.500 B: 425 C: 340 |
| VL 2200 | A: 2.200 B: 522 C: 420 |
| VL 2500 | A: 2.500 B: 522 C: 420 |

COR-PRO-V W

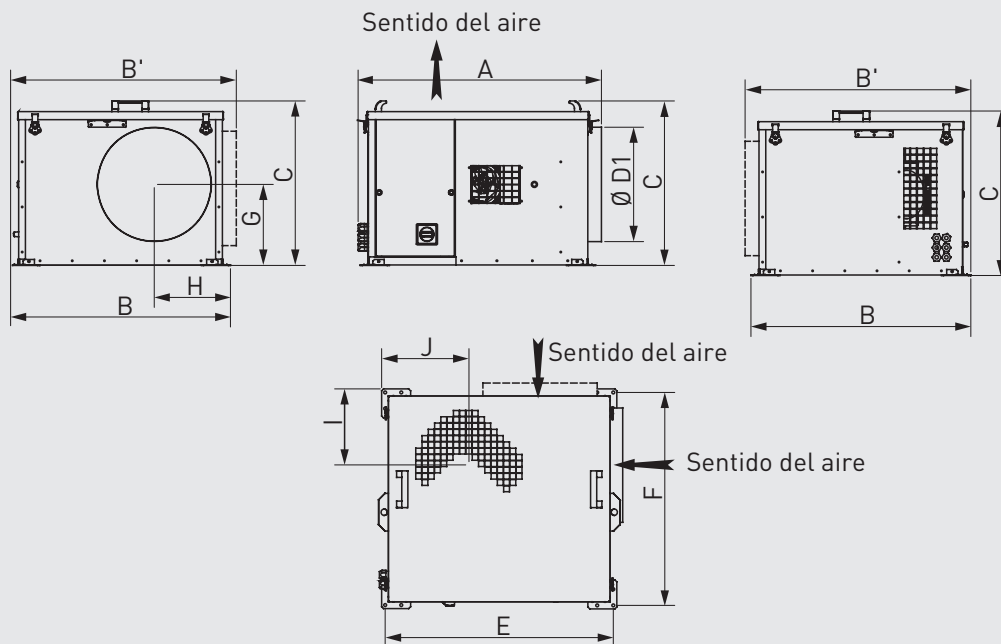


COR-S



CRCB ECOWATT

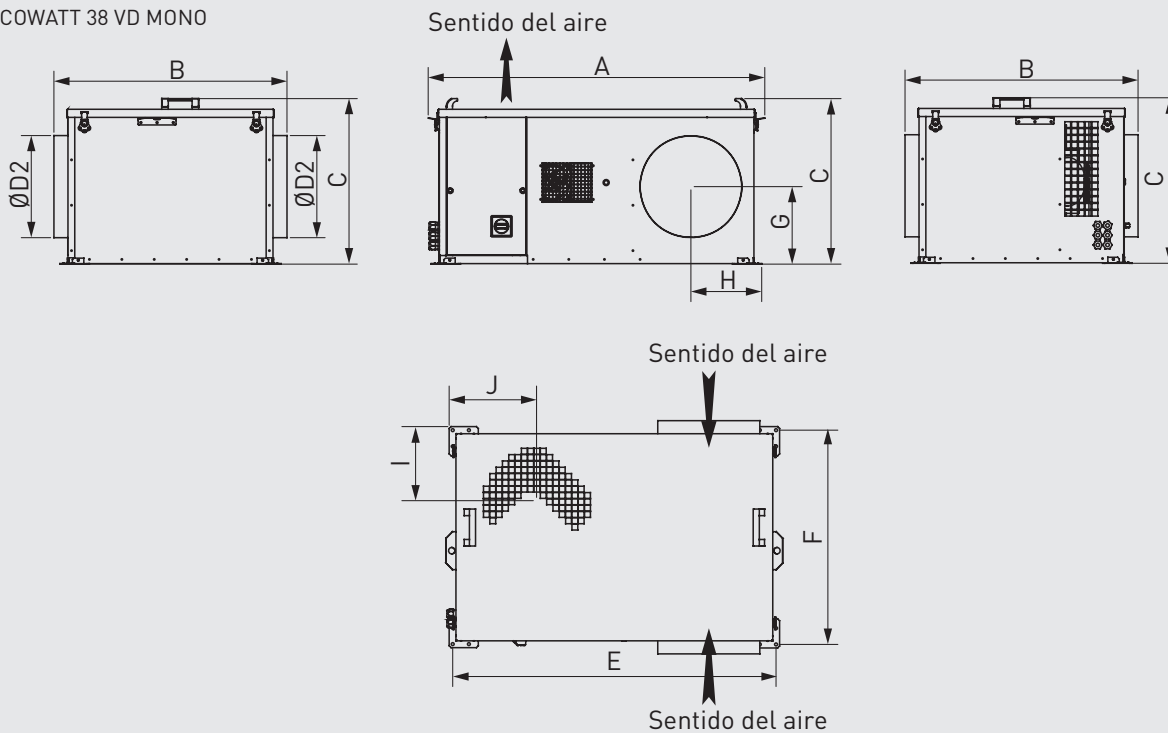
CRCB ECOWATT 30/38 VM MONO



| Modelo | A | B | B' | C* | D1 | E | F | G | H | I | J |
|--------------------------------|------|-----|-----|-----|-----|------|-----|-----|-----|-----|-----|
| CRCB ECOWATT 30 VM MONO | 973 | 820 | 873 | 565 | 400 | 892 | 797 | 267 | 271 | 248 | 286 |
| CRCB ECOWATT 38 VM MONO | 1106 | 938 | 971 | 637 | 500 | 1036 | 907 | 306 | 331 | 315 | 350 |

* Versiones IS: +27 mm.

CRCB ECOWATT 38 VD MONO

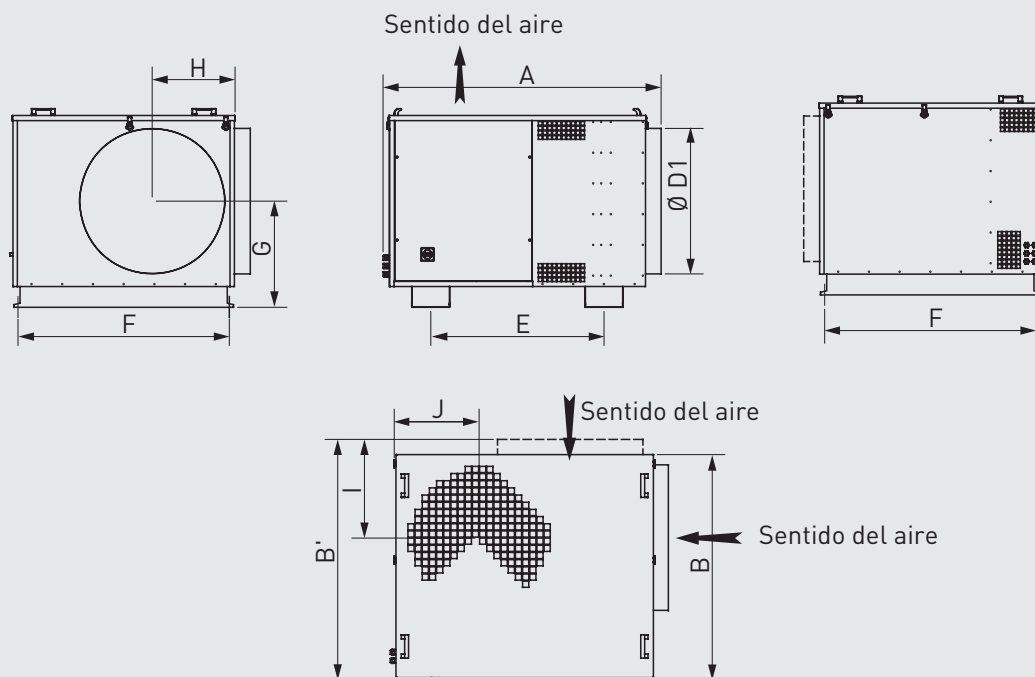


| Modelo | A | B | C* | D1 | D2 | E | F | G | H | I | J |
|--------------------------------|------|------|-----|-----|-----|------|-----|-----|-----|-----|-----|
| CRCB ECOWATT 38 VD MONO | 1426 | 1025 | 637 | 500 | 400 | 1396 | 909 | 306 | 281 | 315 | 350 |

* Versiones IS: +27 mm.

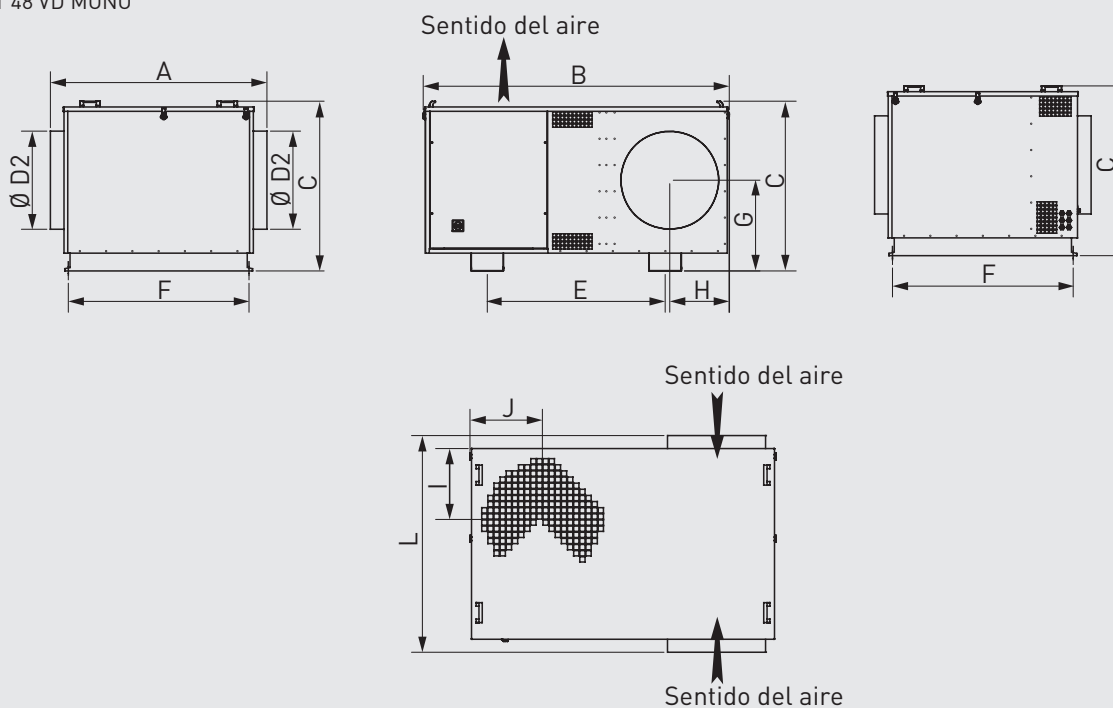
CRCB ECOWATT

CRCB ECOWATT 48 VM MONO



| Modelo | A | B | B' | C* | D1 | E | F | G | H | I | J |
|-------------------------|------|-----|------|-----|-----|-----|-----|-----|-----|-----|-----|
| CRCB ECOWATT 48 VM MONO | 1119 | 985 | 1065 | 800 | 560 | 700 | 918 | 433 | 330 | 320 | 340 |

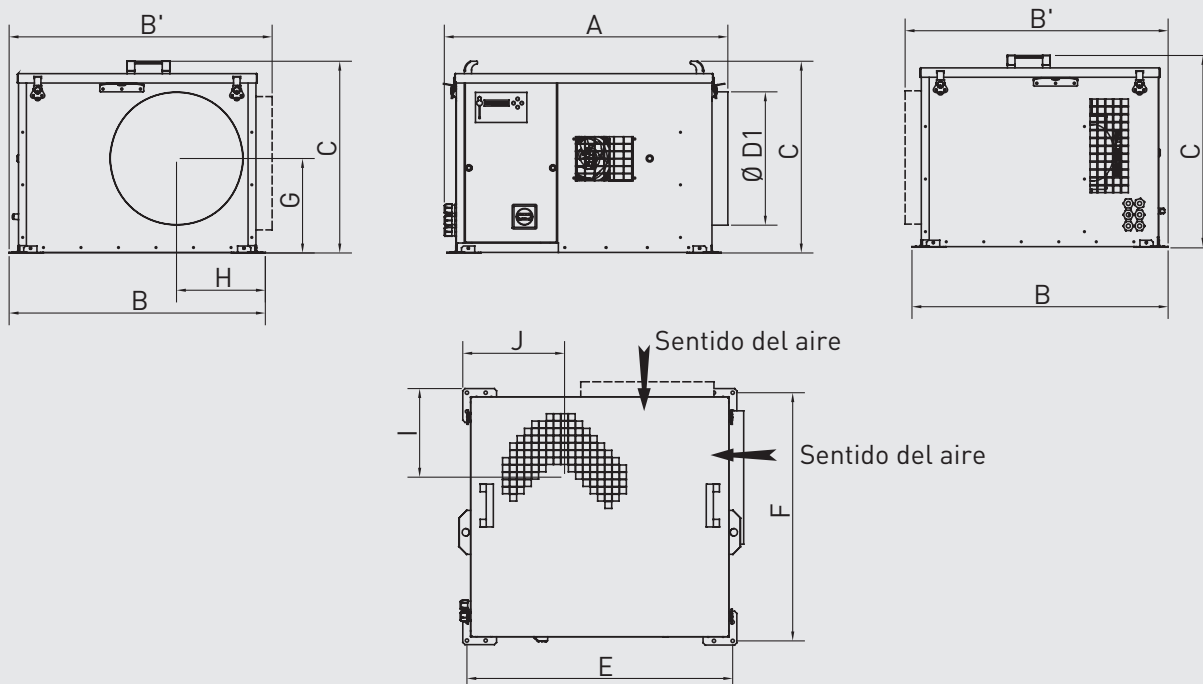
CRCB ECOWATT 48 VD MONO



| Modelo | A | B | C* | D1 | D2 | E | F | G | H | I | J |
|-------------------------|------|------|-----|-----|-----|-----|-----|-----|-----|-----|-----|
| CRCB ECOWATT 48 VD MONO | 1444 | 1105 | 800 | 560 | 450 | 990 | 918 | 433 | 270 | 320 | 340 |

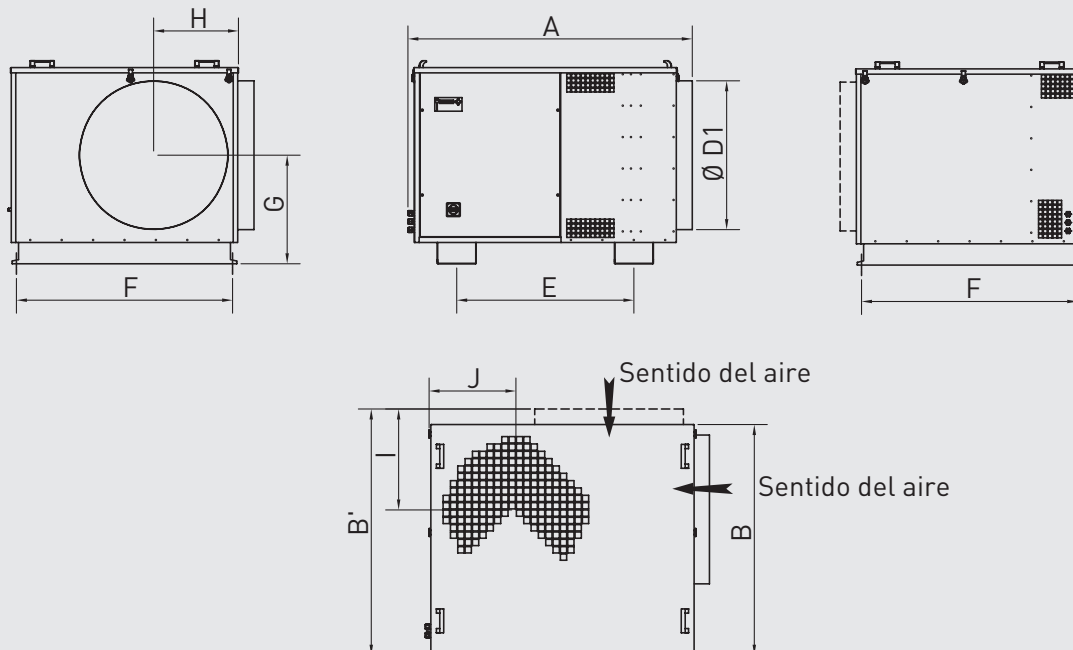
CRCB ECOWATT PR

CRCB ECOWATT PR 30/38 VM MONO



| Modelo | A | B | B' | C | D1 | E | F | G | H | I | J |
|----------------------------|------|-----|-----|-----|-----|------|-----|-----|-----|-----|-----|
| CRCB ECOWATT PR 30 VM MONO | 973 | 820 | 873 | 565 | 400 | 892 | 797 | 267 | 271 | 248 | 286 |
| CRCB ECOWATT PR 38 VM MONO | 1106 | 938 | 971 | 637 | 500 | 1036 | 907 | 306 | 331 | 315 | 350 |

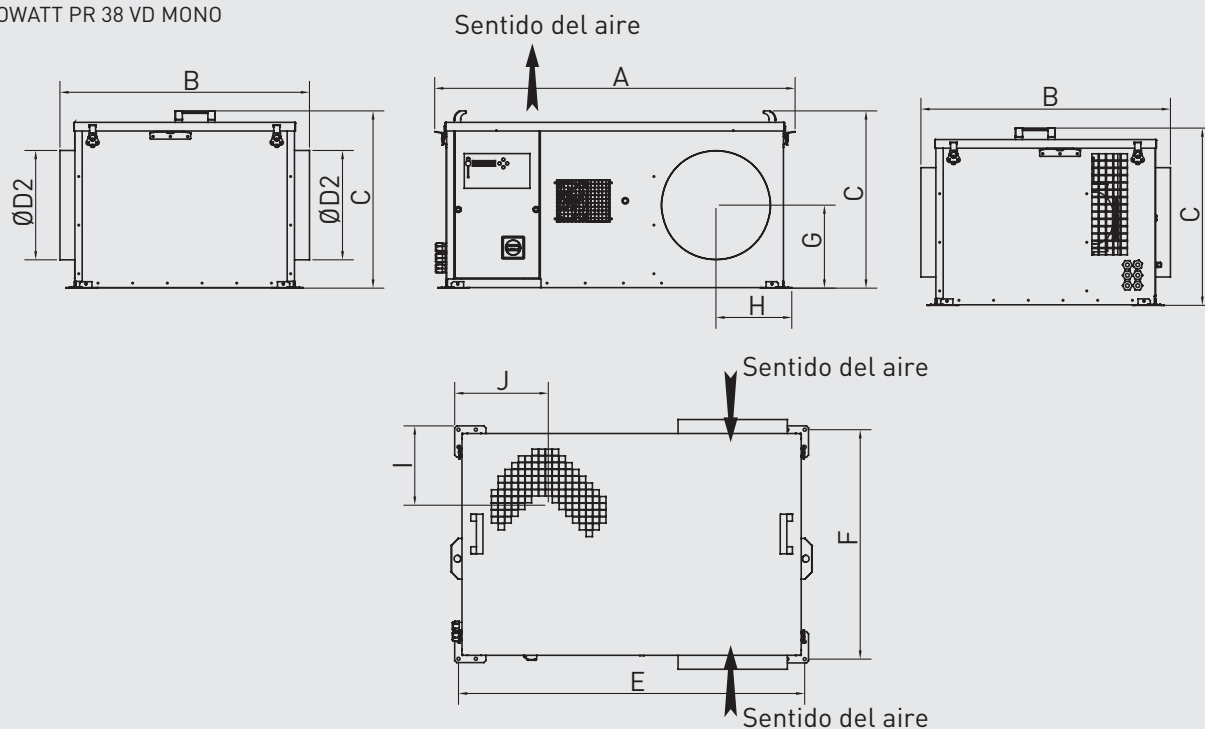
CRCB ECOWATT PR 48 VM MONO



| Modelo | A | B | B' | C | D1 | E | F | G | H | I | J |
|----------------------------|------|-----|------|-----|-----|-----|-----|-----|-----|-----|-----|
| CRCB ECOWATT PR 48 VM MONO | 1119 | 985 | 1065 | 800 | 560 | 700 | 918 | 433 | 330 | 320 | 340 |

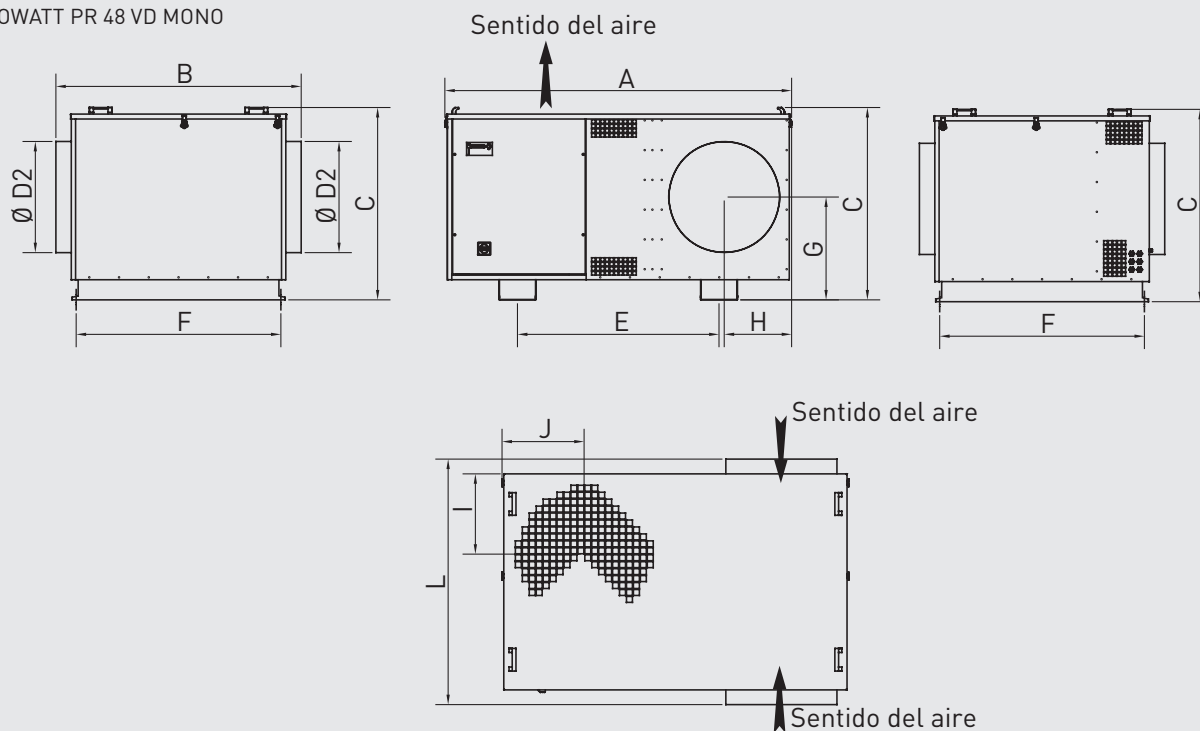
CRCB ECOWATT PR

CRCB ECOWATT PR 38 VD MONO



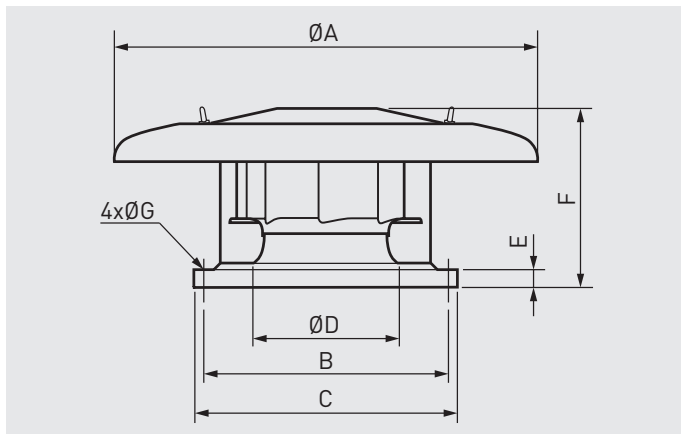
| Modelo | A | B | C | D1 | D2 | E | F | G | H | I | J |
|----------------------------|------|------|-----|-----|-----|------|-----|-----|-----|-----|-----|
| CRCB ECOWATT PR 38 VD MONO | 1426 | 1025 | 637 | 500 | 400 | 1396 | 909 | 306 | 281 | 315 | 350 |

CRCB ECOWATT PR 48 VD MONO



| Modelo | A | B | C | D1 | D2 | E | F | G | H | I | J |
|----------------------------|------|------|-----|-----|-----|-----|-----|-----|-----|-----|-----|
| CRCB ECOWATT PR 48 VD MONO | 1444 | 1105 | 800 | 560 | 450 | 990 | 918 | 433 | 270 | 320 | 340 |

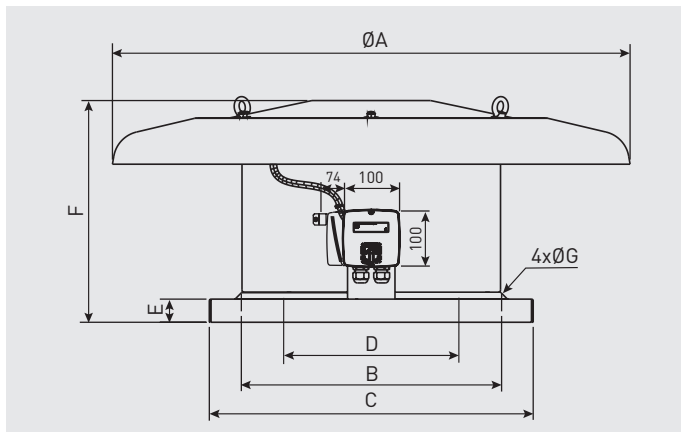
CRHB-N / CRHT-N



| Modelo | ØA | B | C | ØD | E | F | ØG |
|--------|------|-----|-----|-----|----|----------|----|
| 225N | 570 | 245 | 326 | 183 | 35 | 209 | 10 |
| 250N | 570 | 245 | 326 | 204 | 35 | 209 | 10 |
| 280N | 640 | 330 | 435 | 228 | 40 | 273,5 | 12 |
| 315N | 895 | 450 | 560 | 257 | 40 | 324 | 12 |
| 355N | 895 | 450 | 560 | 289 | 40 | 349 | 12 |
| 400N | 1150 | 535 | 630 | 326 | 40 | 363 | 12 |
| 450N | 1150 | 535 | 630 | 367 | 40 | 409/397* | 12 |
| 500N | 1150 | 590 | 710 | 407 | 40 | 435/424* | 14 |
| 560N | 1150 | 750 | 900 | 455 | 40 | 486 | 14 |
| 630N | 1150 | 750 | 900 | 513 | 40 | 548 | 14 |

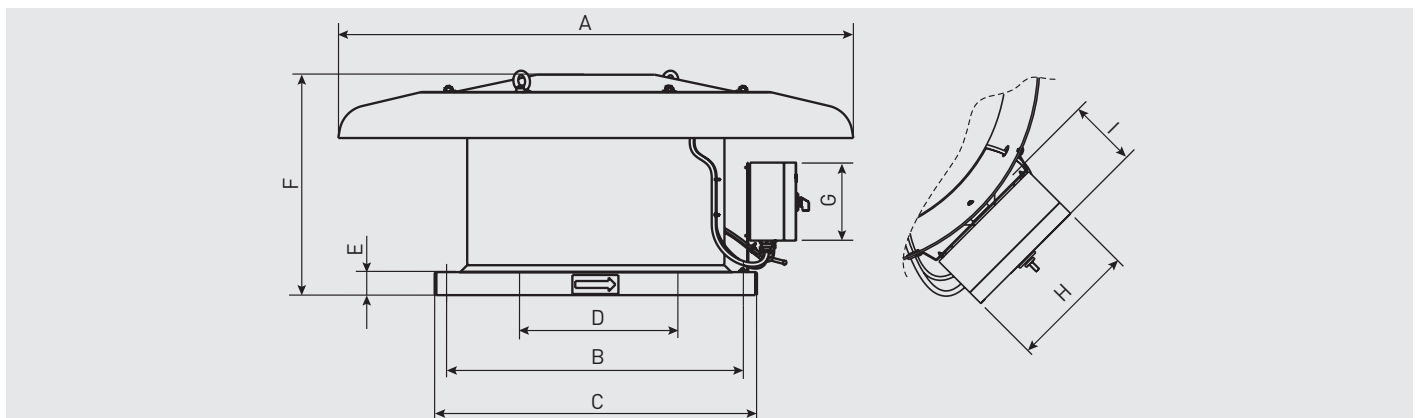
* 4p / 6p

CRHB-N / CRHT-N ECOWATT



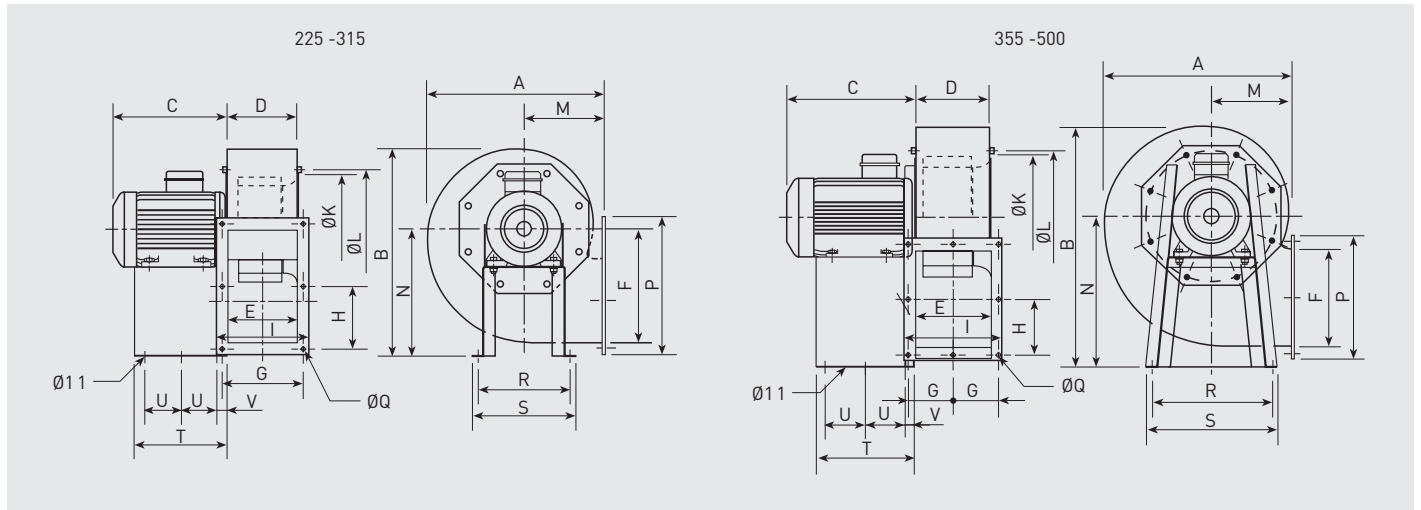
| Modelo | ØA | ∅B | ∅C | ØD | E | F | G | H | I | J |
|--------|------|-----|-----|-----|----|-------|----|-----|-----|----|
| 250 | 570 | 245 | 326 | 204 | 35 | 228 | 10 | 100 | 100 | 74 |
| 280 | 640 | 330 | 435 | 228 | 40 | 273,5 | 12 | 100 | 100 | 74 |
| 315 | 895 | 450 | 560 | 257 | 40 | 324 | 12 | 100 | 100 | 74 |
| 355 | 895 | 450 | 560 | 289 | 40 | 367 | 12 | 100 | 100 | 74 |
| 400 | 1150 | 535 | 630 | 326 | 40 | 363 | 12 | 100 | 100 | 74 |
| 450 | 1150 | 535 | 630 | 367 | 40 | 397 | 12 | 100 | 100 | 74 |
| 500 | 1150 | 590 | 710 | 407 | 40 | 424 | 14 | 100 | 100 | 74 |
| 560 | 1300 | 750 | 900 | 455 | 50 | 518 | 14 | 100 | 100 | 74 |
| 630 | 1300 | 750 | 900 | 513 | 50 | 555 | 14 | 100 | 100 | 74 |

CRHB/T-N ECOWATT PLUS



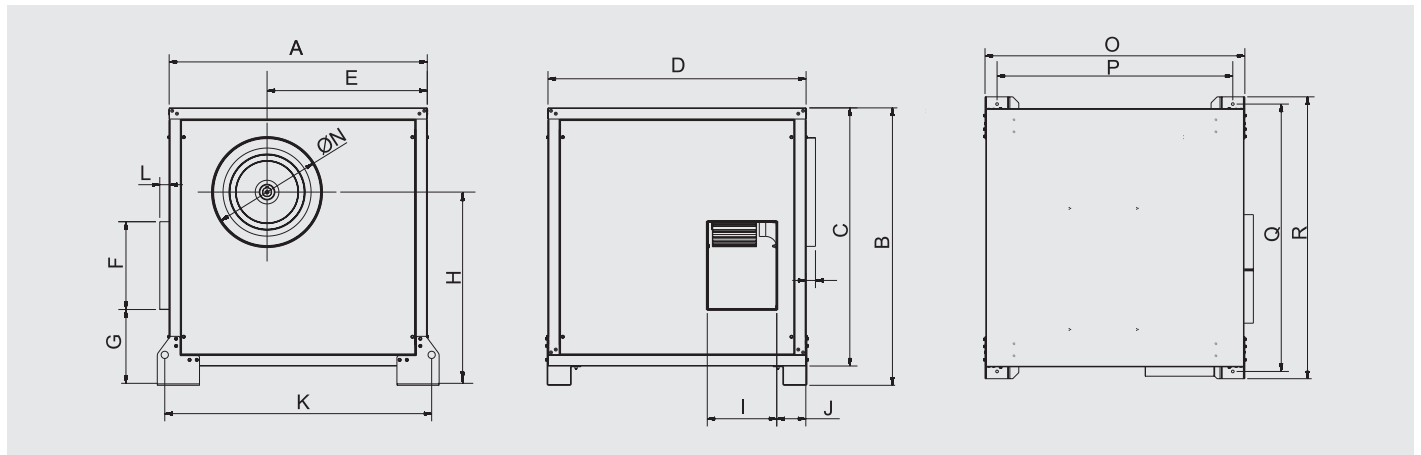
| Modelo | ØA | ∅B | ∅C | ØD | E | F | G | H | I |
|--------|------|-----|-----|-----|----|-------|-----|-----|-----|
| 280 | 640 | 330 | 435 | 228 | 40 | 273,5 | 136 | 171 | 92 |
| 315 | 895 | 450 | 560 | 257 | 40 | 324 | 136 | 171 | 92 |
| 355 | 895 | 450 | 560 | 289 | 40 | 367 | 136 | 171 | 92 |
| 400 | 1150 | 535 | 630 | 326 | 40 | 363 | 170 | 190 | 110 |
| 450 | 1150 | 535 | 630 | 367 | 40 | 397 | 170 | 190 | 110 |
| 500 | 1150 | 590 | 710 | 407 | 40 | 424 | 170 | 190 | 110 |

CRMT



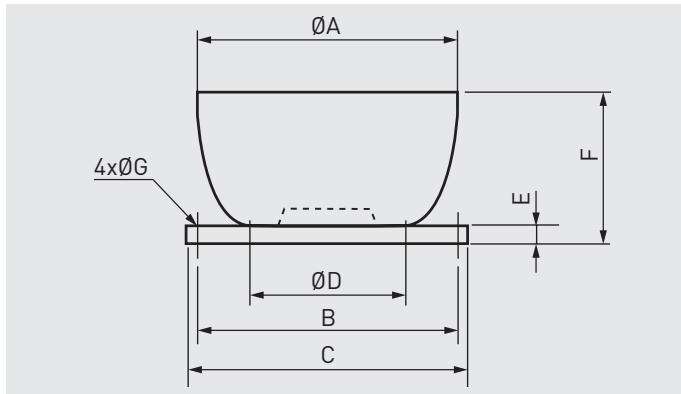
| Modelo CRMT | A | B | C máx. | D | E | F | G | H | I | K | L | M | N | P | Q | R | S | T | U | V |
|-------------|-----|-----|--------|-----|-----|-----|-------|-----|-----|-----|-----|-----|-----|-----|------|-----|-----|-----|---------|----|
| 225/90 | 388 | 454 | 315 | 143 | 140 | 216 | 180 | 128 | 203 | 234 | 256 | 181 | 280 | 279 | 10,5 | 220 | 250 | 230 | 3x50 | 29 |
| 250/100 | 427 | 503 | 370 | 168 | 165 | 250 | 205 | 145 | 228 | 252 | 282 | 197 | 310 | 313 | 10,5 | 228 | 260 | 280 | 3x74 | 27 |
| 280/115 | 467 | 547 | 420 | 183 | 180 | 300 | 220 | 170 | 243 | 292 | 320 | 215 | 340 | 363 | 10,5 | 245 | 275 | 315 | 2x95 | 27 |
| 315/130 | 525 | 630 | 440 | 203 | 200 | 320 | 240 | 180 | 263 | 325 | 354 | 238 | 390 | 383 | 11 | 322 | 352 | 320 | 2x140 | 20 |
| 355/145 | 566 | 707 | 540 | 231 | 227 | 280 | 133 | 159 | 291 | 365 | 394 | 250 | 445 | 343 | 11 | 420 | 450 | 405 | 2x136,5 | 30 |
| 400/165 | 628 | 792 | 555 | 254 | 249 | 320 | 150 | 185 | 334 | 410 | 438 | 270 | 495 | 404 | 11 | 402 | 438 | 420 | 2x133,5 | 30 |
| 450/185 | 704 | 892 | 555 | 288 | 283 | 360 | 164 | 202 | 368 | 460 | 485 | 302 | 560 | 444 | 11 | 502 | 538 | 420 | 2x140 | 30 |
| 500/205 | 790 | 980 | 702 | 319 | 314 | 454 | 182,5 | 250 | 409 | 510 | 535 | 345 | 610 | 544 | 11 | 613 | 653 | 540 | 2x187,5 | 30 |

CRMTC



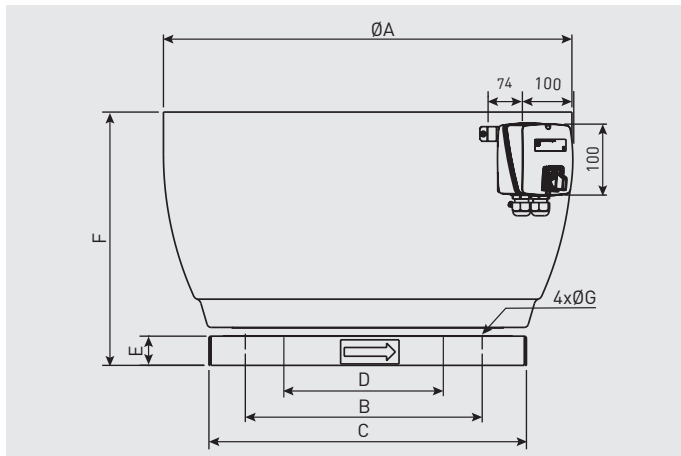
| Modelo | A | B | C | D | E | F | G | H | I | J | K | L | M | N | O | P | Q | R |
|------------|------|------|------|------|-----|-----|-----|-----|-----|-----|------|----|----|-----|------|------|------|------|
| CRMTC- 225 | 660 | 740 | 660 | 660 | 380 | 253 | 190 | 431 | 168 | 105 | 696 | 40 | 40 | 224 | 668 | 568 | 698 | 758 |
| CRMTC- 250 | 660 | 740 | 660 | 660 | 383 | 253 | 190 | 461 | 168 | 105 | 696 | 40 | 40 | 250 | 668 | 568 | 698 | 758 |
| CRMTC- 280 | 800 | 880 | 800 | 800 | 480 | 303 | 219 | 521 | 183 | 111 | 836 | 40 | 40 | 280 | 807 | 707 | 838 | 898 |
| CRMTC- 315 | 800 | 880 | 800 | 800 | 458 | 303 | 268 | 571 | 203 | 111 | 836 | 40 | 40 | 280 | 807 | 707 | 838 | 898 |
| CRMTC- 315 | 800 | 880 | 800 | 800 | 458 | 303 | 268 | 571 | 203 | 111 | 836 | 40 | 40 | 280 | 807 | 707 | 838 | 898 |
| CRMTC- 355 | 880 | 960 | 880 | 880 | 526 | 283 | 263 | 646 | 231 | 115 | 916 | 40 | 40 | 355 | 887 | 787 | 918 | 978 |
| CRMTC- 400 | 970 | 1050 | 970 | 970 | 596 | 324 | 283 | 716 | 254 | 120 | 1006 | 40 | 40 | 400 | 977 | 877 | 1008 | 1068 |
| CRMTC- 450 | 1070 | 1150 | 1070 | 1070 | 664 | 364 | 314 | 801 | 288 | 120 | 1106 | 40 | 40 | 450 | 1077 | 977 | 1108 | 1168 |
| CRMTC- 500 | 1160 | 1240 | 1160 | 1160 | 711 | 454 | 299 | 841 | 319 | 120 | 1196 | 40 | 40 | 500 | 1160 | 1067 | 1198 | 1258 |

CRVB-N / CRVT-N



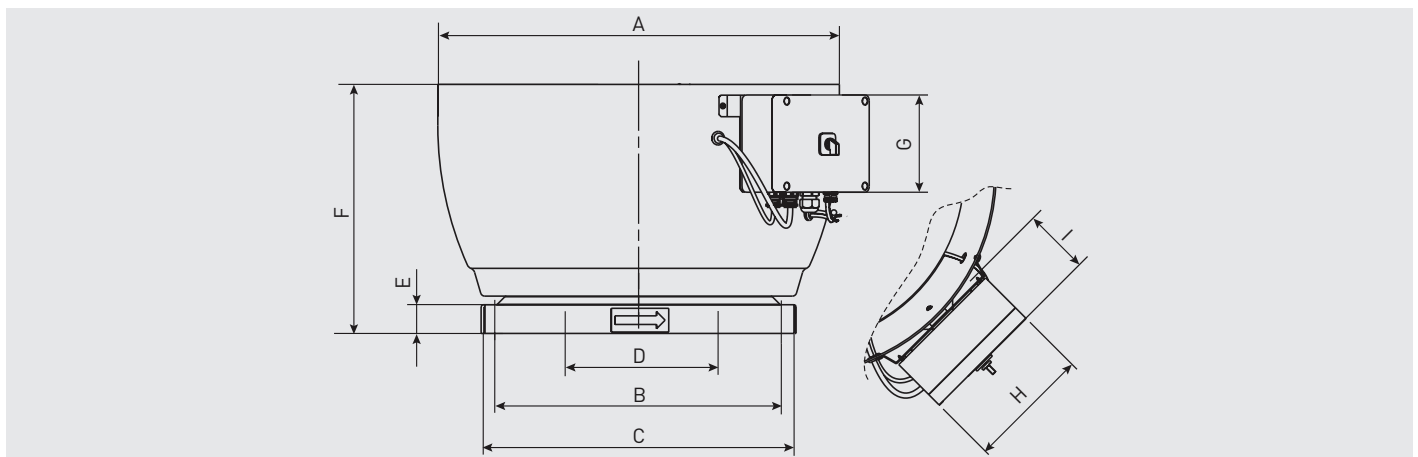
| Modelo | ØA | B | C | ØD | E | F | ØG |
|--------|------|-----|-----|-----|----|-----|----|
| 225N | 434 | 245 | 326 | 183 | 35 | 260 | 10 |
| 250N | 434 | 245 | 326 | 204 | 35 | 260 | 10 |
| 280N | 560 | 330 | 435 | 228 | 40 | 335 | 12 |
| 315N | 754 | 450 | 560 | 257 | 40 | 395 | 12 |
| 355N | 754 | 450 | 560 | 289 | 40 | 395 | 12 |
| 400N | 857 | 535 | 630 | 326 | 40 | 459 | 12 |
| 450N | 857 | 535 | 630 | 367 | 40 | 459 | 12 |
| 500N | 950 | 590 | 710 | 407 | 40 | 530 | 14 |
| 560N | 1216 | 750 | 900 | 455 | 40 | 580 | 14 |
| 630N | 1216 | 750 | 900 | 513 | 40 | 580 | 14 |

CRVB-N ECOWATT / CRVT-N ECOWATT



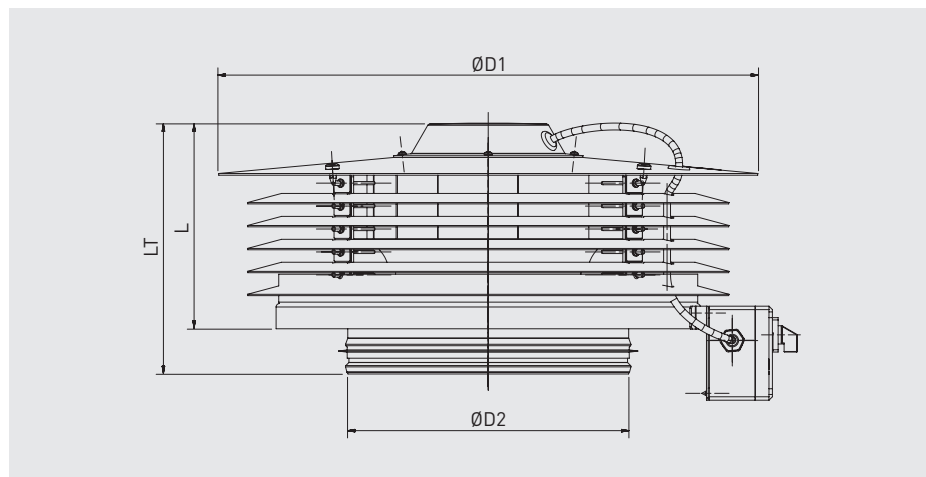
| Modelo | ØA | ØB | ØC | ØD | E | F | G | H | I | J |
|--------|------|-----|-----|-----|----|-----|----|-----|-----|----|
| 250 | 434 | 245 | 326 | 204 | 35 | 260 | 10 | 100 | 100 | 74 |
| 280 | 560 | 330 | 435 | 228 | 40 | 335 | 12 | 100 | 100 | 74 |
| 315 | 754 | 450 | 560 | 257 | 40 | 395 | 12 | 100 | 100 | 74 |
| 355 | 754 | 450 | 560 | 289 | 40 | 395 | 12 | 100 | 100 | 74 |
| 400 | 857 | 535 | 630 | 326 | 40 | 459 | 12 | 100 | 100 | 74 |
| 450 | 857 | 535 | 630 | 367 | 40 | 459 | 12 | 100 | 100 | 74 |
| 500 | 950 | 590 | 710 | 407 | 40 | 530 | 14 | 100 | 100 | 74 |
| 560 | 1216 | 750 | 900 | 455 | 50 | 581 | 14 | 100 | 100 | 74 |
| 630 | 1216 | 750 | 900 | 513 | 50 | 581 | 14 | 100 | 100 | 74 |

CRVB/T-N ECOWATT PLUS



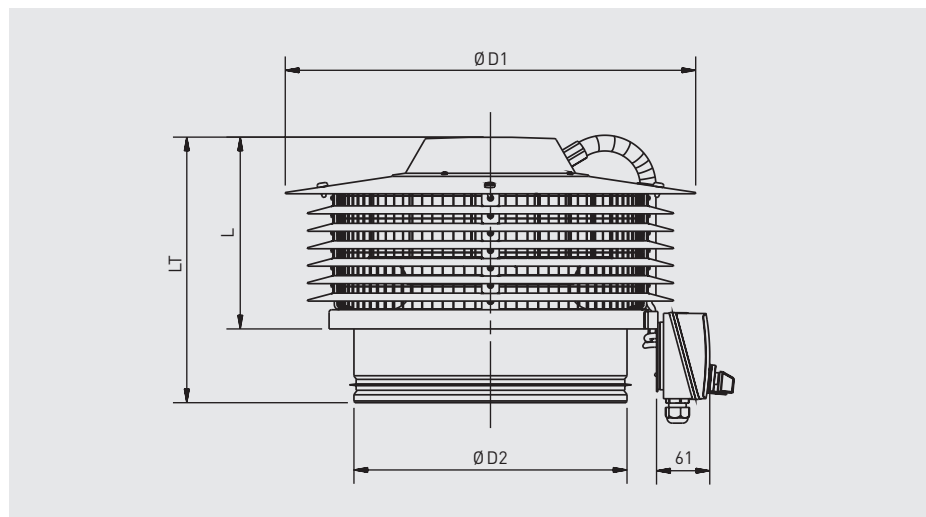
| Modelo | ØA | ØB | ØC | ØD | E | F | G | H | I |
|--------|-----|-----|-----|-----|----|-----|-----|-----|-----|
| 250 | 434 | 245 | 326 | 204 | 35 | 260 | 136 | 136 | 92 |
| 280 | 560 | 330 | 435 | 228 | 40 | 335 | 136 | 171 | 92 |
| 315 | 754 | 450 | 560 | 257 | 40 | 395 | 136 | 171 | 92 |
| 355 | 754 | 450 | 560 | 289 | 40 | 395 | 136 | 171 | 92 |
| 400 | 857 | 535 | 630 | 326 | 40 | 459 | 170 | 190 | 110 |
| 450 | 857 | 535 | 630 | 367 | 40 | 459 | 170 | 190 | 110 |
| 500 | 950 | 590 | 710 | 407 | 40 | 530 | 170 | 190 | 110 |

CTB



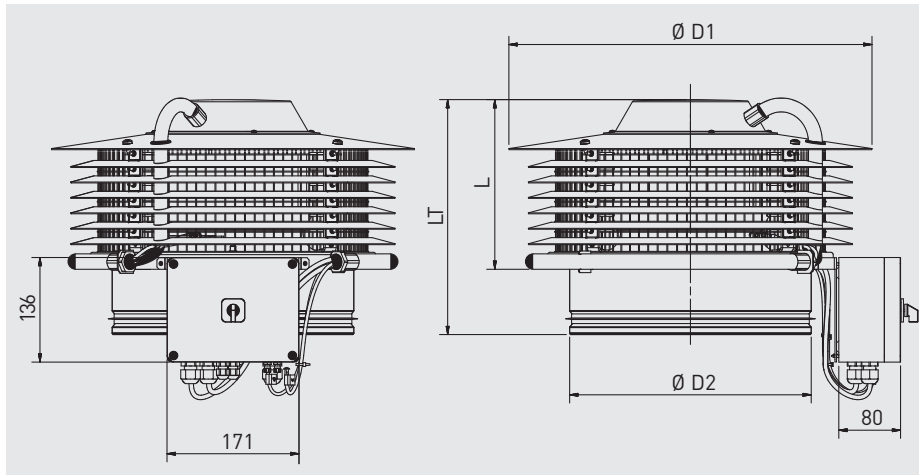
| Modelo | D1 | D2 | L | LT |
|----------------|-----|-----|-----|-----|
| CTB/4-400/160 | 410 | 159 | 143 | 229 |
| CTB/4-500/200 | 410 | 199 | 156 | 242 |
| CTB/4-800/250 | 470 | 249 | 179 | 266 |
| CTB/4-1300/315 | 470 | 314 | 202 | 288 |

CTB ECOWATT



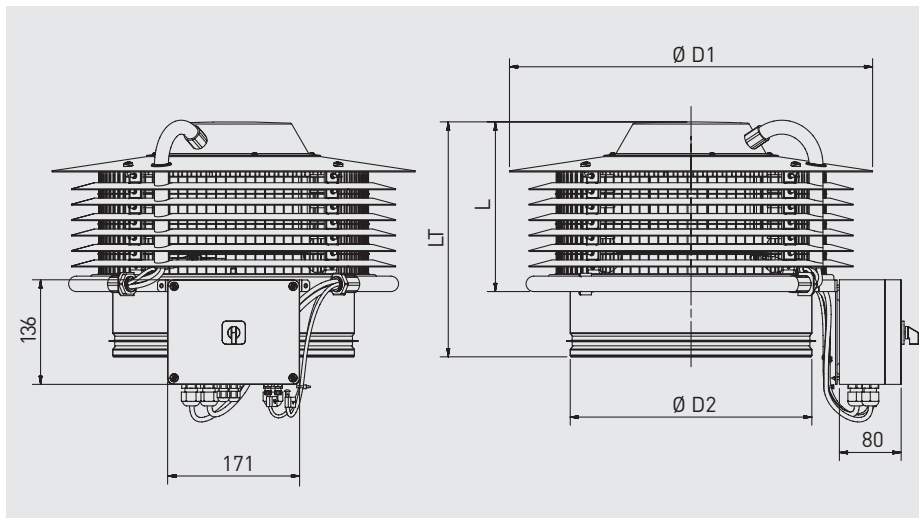
| Modelo | D1 | D2 | L | LT |
|----------------|-----|-----|-----|-----|
| CTB/4-400/160 | 410 | 159 | 143 | 229 |
| CTB/4-500/200 | 410 | 199 | 156 | 242 |
| CTB/4-800/250 | 470 | 249 | 179 | 266 |
| CTB/4-1300/315 | 470 | 314 | 202 | 288 |

CTB ECOWATT PLUS



| Modelo | D1 | D2 | L | LT |
|----------------|-----|-----|-----|-----|
| CTB/4-400/160 | 410 | 159 | 143 | 229 |
| CTB/4-500/200 | 410 | 199 | 156 | 242 |
| CTB/4-800/250 | 470 | 249 | 179 | 266 |
| CTB/4-1300/315 | 470 | 314 | 202 | 288 |

CTBH ECOWATT

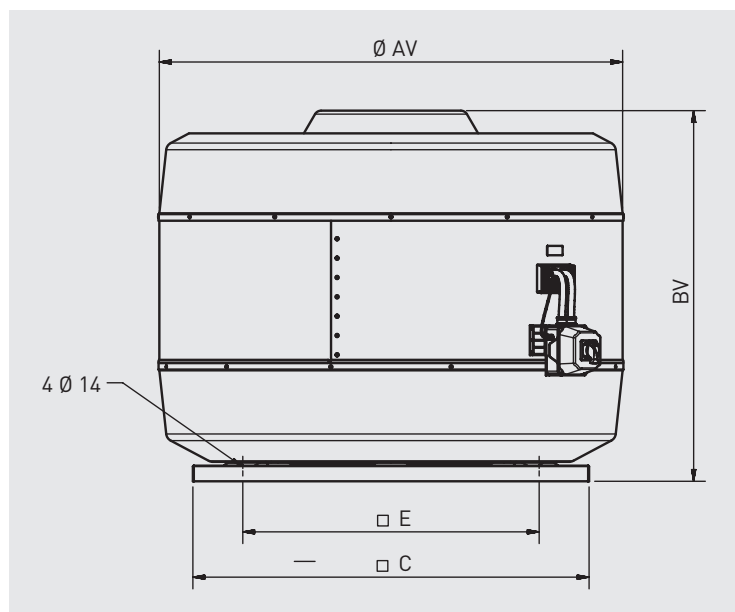


| Modelo | D1 | D2 | L | L2 |
|-------------------|-----|-----|-----|-----|
| CTBH 500 ECOWATT | 410 | 200 | 156 | 242 |
| CTBH 800 ECOWATT | 470 | 250 | 179 | 266 |
| CTBH 1300 ECOWATT | 470 | 315 | 202 | 288 |

Regulación de funcionamiento según la temperatura

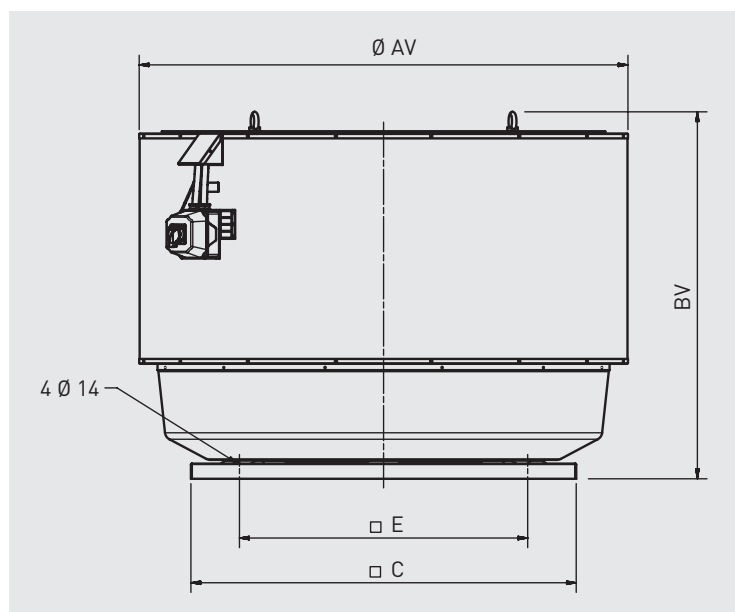
| Numero de plantas del edificio | Temperatura de funcionamiento |
|--------------------------------|-------------------------------|
| 1 hasta 5 | > 0°C |
| 6 hasta 10 | > 5°C |
| 11 hasta 15 | > 10°C |
| ≥ 16 | > 15°C |

CTVT HP



CTVT Versión estándar

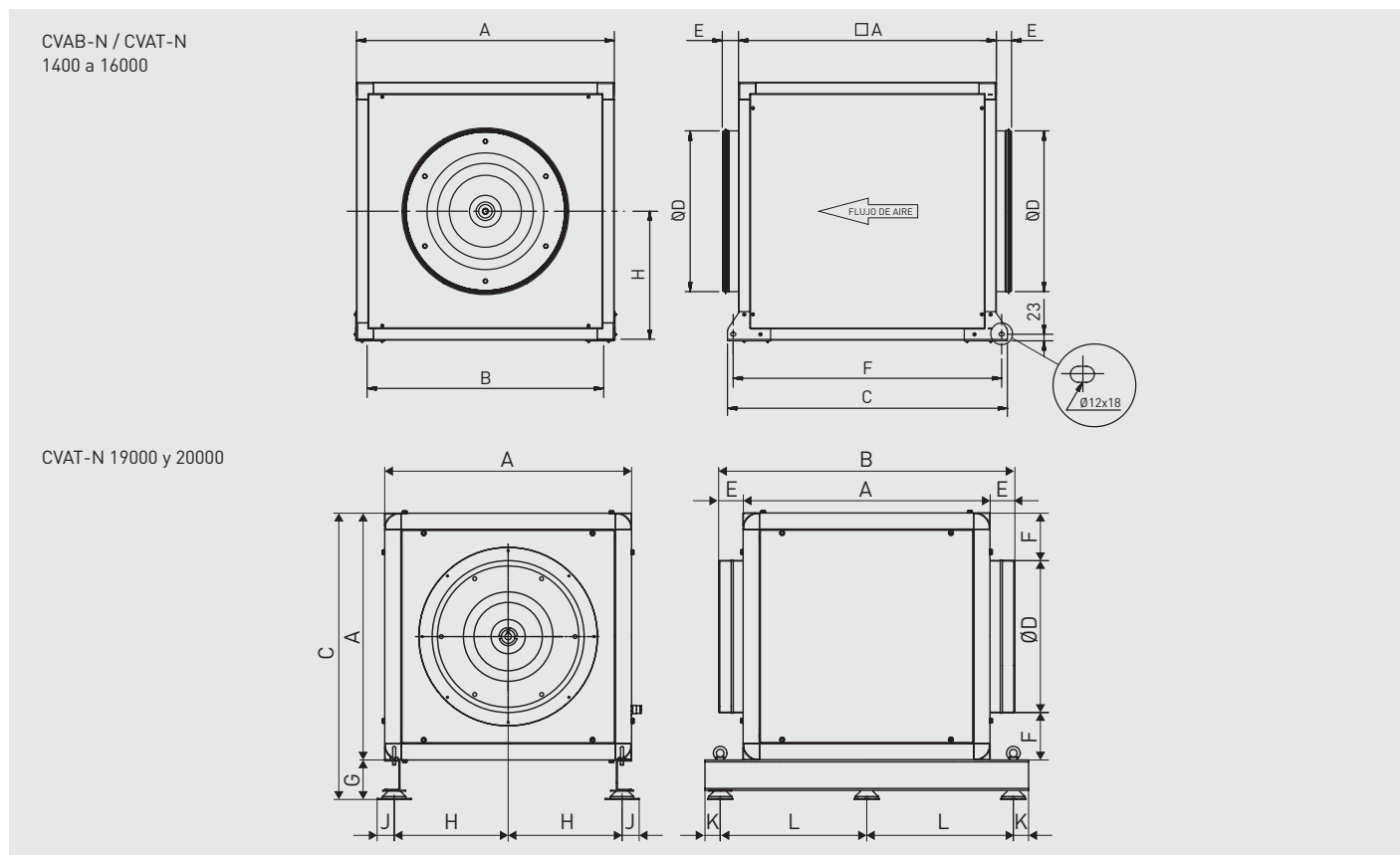
| Modelo | AV | BV | C | E |
|-----------------|------|------|------|-----|
| CTVT/4-632-5,5 | 1216 | 930 | 905 | 750 |
| CTVT/4-631-7,5 | 1216 | 930 | 905 | 750 |
| CTVT/4-712-11 | 1485 | 1146 | 1270 | 950 |
| CTVT/4-711-15 | 1485 | 1188 | 1270 | 950 |
| CTVT/4-802-18,5 | 1485 | 1207 | 1270 | 950 |
| CTVT/4-801-22 | 1485 | 1225 | 1270 | 950 |
| CTVT/4-902-30 | 1485 | 1345 | 1270 | 950 |



CTVT INS Versión acústica

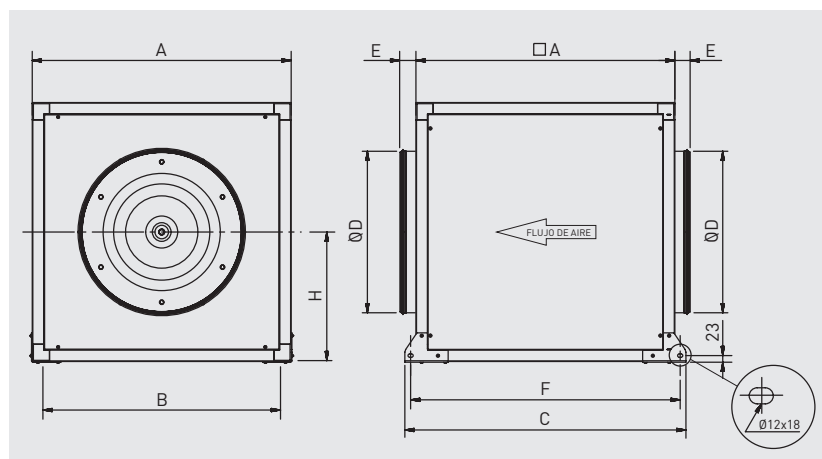
| Modelo | AV | BV | C | E |
|---------------------|------|------|------|-----|
| CTVT/4-632-5,5-INS | 1342 | 978 | 905 | 750 |
| CTVT/4-631-7,5-INS | 1342 | 978 | 905 | 750 |
| CTVT/4-712-11-INS | 1611 | 1163 | 1270 | 950 |
| CTVT/4-711-15-INS | 1611 | 1250 | 1270 | 950 |
| CTVT/4-802-18,5-INS | 1611 | 1274 | 1270 | 950 |
| CTVT/4-801-22-INS | 1611 | 1292 | 1270 | 950 |
| CTVT/4-902-30-INS | 1611 | 1432 | 1270 | 950 |

CVAB-N / CVAT-N



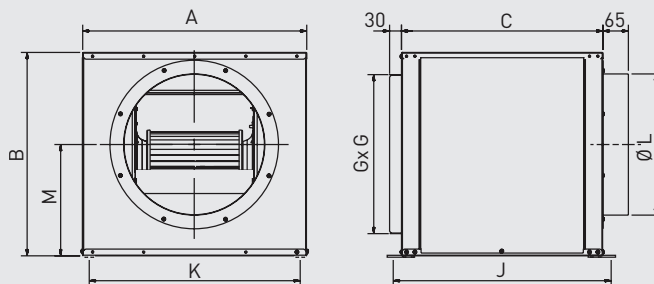
| Modelo | A | B | C | D | E | F | G | H | J | K | L |
|--------------|------|------|------|-----|----|-------|-----|-------|----|----|-------|
| 1400/250N D | 500 | 457 | 574 | 250 | 58 | 534 | - | 250 | - | - | - |
| 2000/315N D | 500 | 457 | 574 | 315 | 58 | 534 | - | 250 | - | - | - |
| 3000/355N D | 650 | 607 | 724 | 355 | 58 | 684 | - | 325 | - | - | - |
| 4000/400N D | 650 | 607 | 724 | 400 | 58 | 684 | - | 325 | - | - | - |
| 6000/450N D | 750 | 707 | 824 | 450 | 58 | 784 | - | 375 | - | - | - |
| 9000/500N D | 800 | 757 | 874 | 500 | 58 | 834 | - | 400 | - | - | - |
| 12000/560N D | 900 | 826 | 977 | 560 | 58 | 937 | - | 450 | - | - | - |
| 16000/630N D | 1000 | 959 | 1077 | 630 | 58 | 1037 | - | 500 | - | - | - |
| 15000/710N D | 1100 | 1059 | 1177 | 710 | 58 | 1137 | - | 550 | - | - | - |
| 20000/710N D | 1037 | 1147 | 1141 | 708 | 55 | 164,5 | 104 | 493,5 | 45 | 40 | 558,5 |
| 19000/800N D | 1200 | 1310 | 1304 | 798 | 55 | 201 | 104 | 575 | 45 | 40 | 640 |

CVAB/T-N ECOWATT



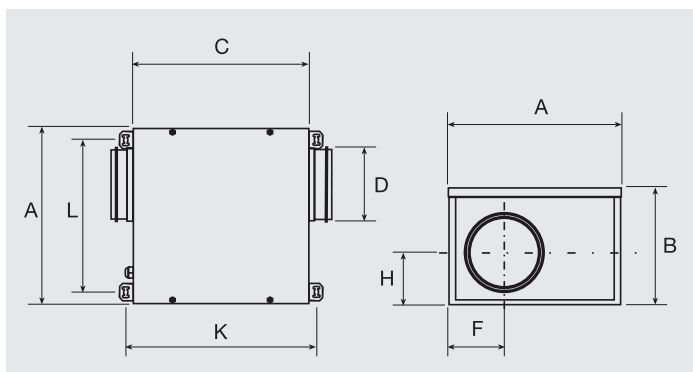
| Modelo CVAB-N/ CVAT-N ECOWATT | A | B | C | D | E | F | H |
|----------------------------------|-----|-----|-----|-----|----|-----|-----|
| 1400/250 N | 500 | 457 | 574 | 250 | 58 | 534 | 250 |
| 2000/315 N | 500 | 457 | 574 | 315 | 58 | 534 | 250 |
| 3000/355 N | 650 | 607 | 724 | 355 | 58 | 684 | 325 |
| 4000/400 N | 650 | 607 | 724 | 400 | 58 | 684 | 325 |
| 6000/450 N | 750 | 707 | 824 | 450 | 58 | 784 | 375 |
| 9000/500 N | 800 | 757 | 874 | 500 | 58 | 834 | 400 |
| 12000/560 N | 900 | 826 | 977 | 560 | 58 | 937 | 450 |

CVB/CVT CENTRIBOX



| Modelo | A | B | C | G | J | K | Ø L | M |
|---------|-----|-----|-----|-----|-----|-----|-----|-----|
| 180/180 | 455 | 441 | 408 | 325 | 436 | 422 | 250 | 245 |
| 240/240 | 565 | 521 | 508 | 400 | 536 | 532 | 355 | 282 |
| 270/200 | 605 | 581 | 558 | 450 | 586 | 572 | 400 | 322 |
| 270/270 | 605 | 581 | 558 | 450 | 586 | 572 | 400 | 322 |
| 320/240 | 685 | 669 | 608 | 500 | 636 | 652 | 500 | 376 |
| 320/320 | 685 | 669 | 608 | 500 | 636 | 652 | 500 | 376 |

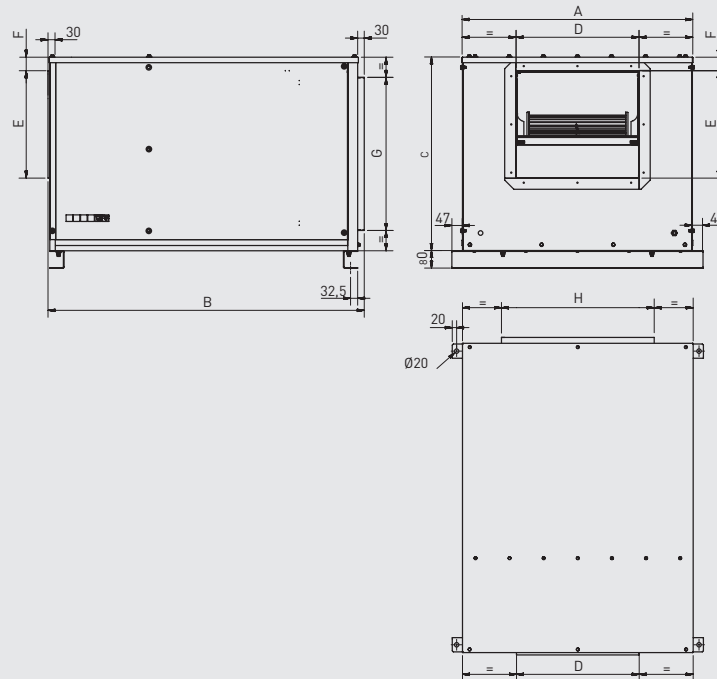
CVB SLIMBOX



| Modelo | A | B | C | Ø D | F | H | L | K |
|-----------------|-------|-------|-------|---------|-------|-------|-------|-------|
| CVB-350/125 | 308,5 | 213 | 315,5 | 125 | 97 | 93,7 | 271,6 | 340 |
| CVB-600/150-160 | 308,5 | 213 | 315,5 | 150/160 | 97 | 93,7 | 271,6 | 340 |
| CVB-900/200 | 431,1 | 246,5 | 421,1 | 200 | 118 | 117,7 | 394,2 | 445,5 |
| CVB-1100/250 | 445,5 | 305 | 343,5 | 250 | 221,5 | 163,2 | 408,6 | 368 |

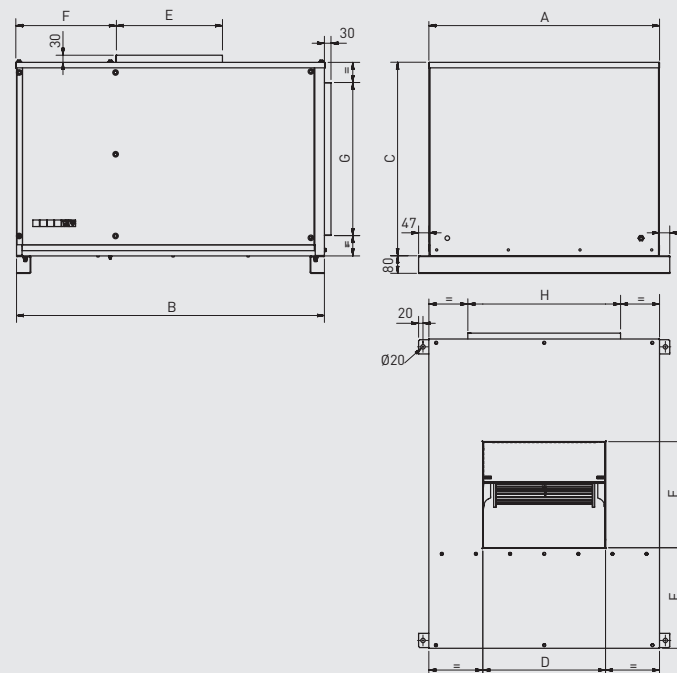
CVHN

CVHN 9-10-12-15-18 Horizontal



| Modelo | A | B | C | D | E | F | G | H |
|--------------|------|------|-----|-----|-----|----|-----|-----|
| CVHN-H 9/9 | 598 | 897 | 596 | 305 | 274 | 50 | 400 | 400 |
| CVHN-H 10/10 | 648 | 962 | 622 | 336 | 304 | 50 | 450 | 450 |
| CVHN-H 12/12 | 753 | 1112 | 687 | 400 | 345 | 53 | 500 | 500 |
| CVHN-H 15/15 | 953 | 1267 | 780 | 483 | 410 | 76 | 600 | 600 |
| CVHN-H 18/18 | 1053 | 1443 | 884 | 561 | 490 | 62 | 700 | 700 |

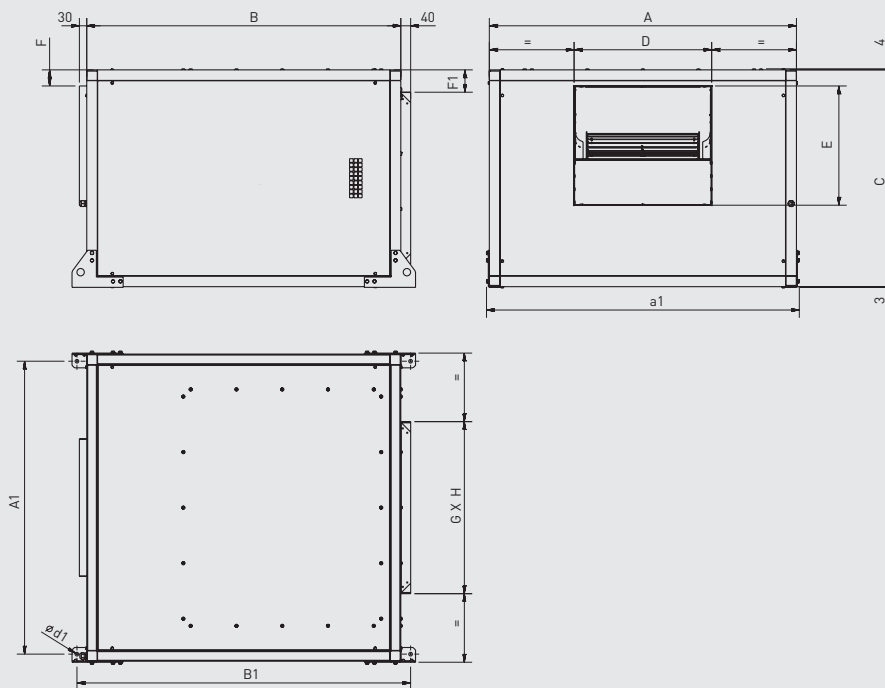
CVHN 9-10-12-15-18 Vertical



| Modelo | A | B | C | D | E | F | G | H |
|--------------|------|------|-----|-----|-----|-----|-----|-----|
| CVHN-V 9/9 | 598 | 897 | 596 | 305 | 274 | 360 | 400 | 400 |
| CVHN-V 10/10 | 648 | 962 | 622 | 336 | 304 | 369 | 450 | 450 |
| CVHN-V 12/12 | 753 | 1112 | 687 | 400 | 345 | 408 | 500 | 500 |
| CVHN-V 15/15 | 953 | 1267 | 780 | 483 | 410 | 446 | 600 | 600 |
| CVHN-V 18/18 | 1053 | 1443 | 884 | 561 | 490 | 458 | 700 | 700 |

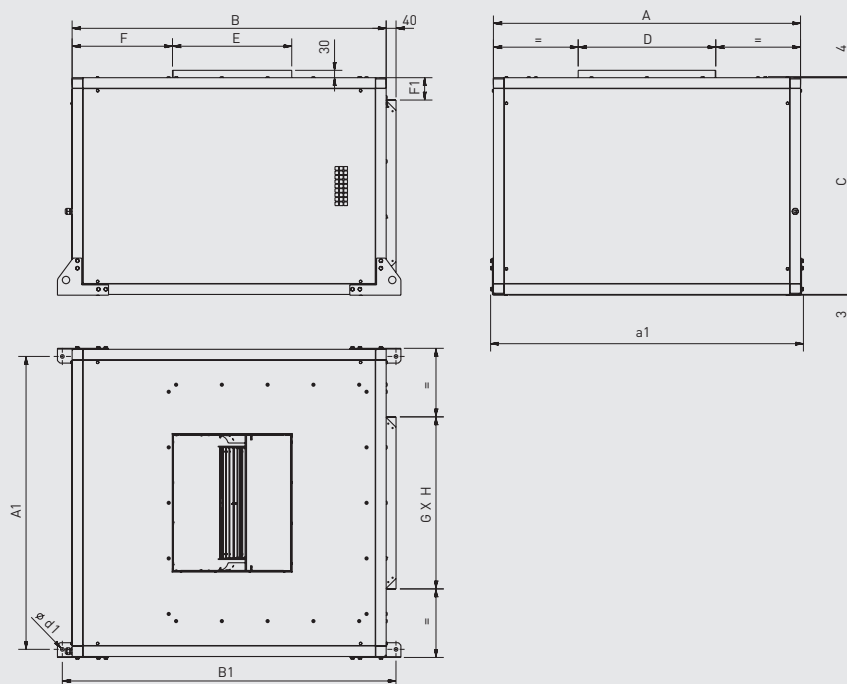
CVHT

CVHT 9-10-12-15-18 Horizontal



| Modelo | A | A1 | a1 | B | B1 | C | D | $\phi d1$ | E | F | F1 | GxH |
|--------------|------|------|------|------|------|-------|-----|-----------|-------|------|-------|---------|
| CVHT-9/9-H | 759 | 701 | 782 | 783 | 863 | 592 | 304 | 15 | 264 | 65,5 | 96 | 400x400 |
| CVHT-10/10-H | 821 | 763 | 844 | 837 | 917 | 618 | 337 | 15 | 293,5 | 65,5 | 84 | 450x450 |
| CVHT-12/12-H | 945 | 887 | 968 | 959 | 1039 | 680,5 | 400 | 15 | 345 | 65,5 | 90,25 | 500x500 |
| CVHT-15/15-H | 1104 | 1046 | 1127 | 1092 | 1172 | 776 | 476 | 15 | 407 | 65,5 | 88 | 600x600 |
| CVHT-18/18-H | 1250 | 1192 | 1273 | 1278 | 1358 | 882 | 560 | 15 | 485 | 65,5 | 91 | 700x700 |

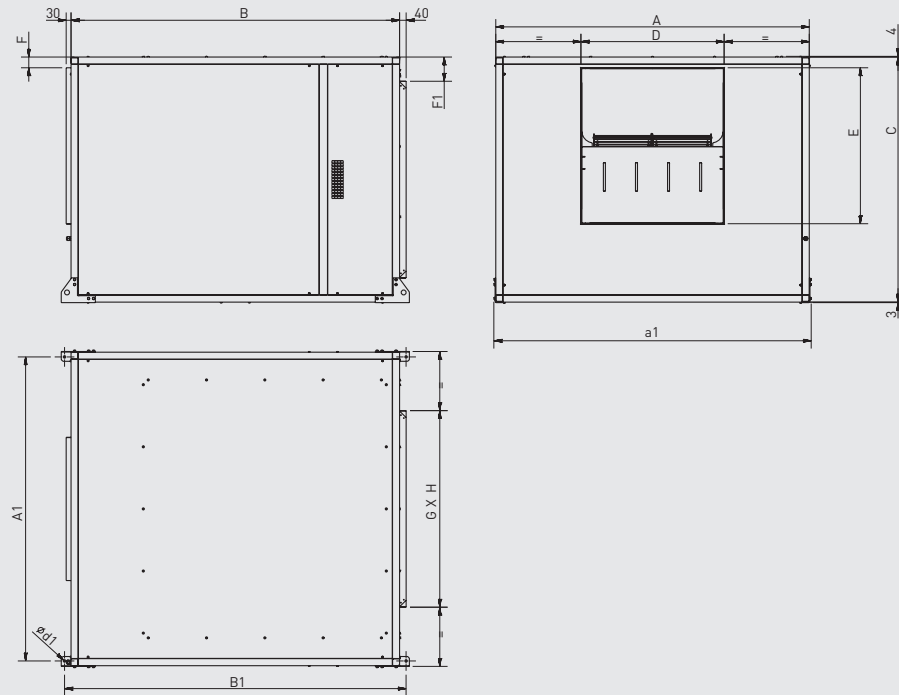
CVHT 9-10-12-15-18 Vertical



| Modelo | A | A1 | a1 | B | B1 | C | D | $\phi d1$ | E | F | F1 | GxH |
|--------------|------|------|------|------|------|-------|-----|-----------|-------|-------|-------|---------|
| CVHT-9/9-V | 759 | 701 | 782 | 783 | 863 | 592 | 304 | 15 | 264 | 316,5 | 96 | 400x400 |
| CVHT-10/10-V | 821 | 763 | 844 | 837 | 917 | 618 | 337 | 15 | 293,5 | 316,5 | 84 | 450x450 |
| CVHT-12/12-V | 945 | 887 | 968 | 959 | 1039 | 680,5 | 400 | 15 | 345 | 343,5 | 90,25 | 500x500 |
| CVHT-15/15-V | 1104 | 1046 | 1127 | 1092 | 1172 | 776 | 476 | 15 | 407 | 368,5 | 88 | 600x600 |
| CVHT-18/18-V | 1250 | 1192 | 1273 | 1278 | 1358 | 882 | 560 | 15 | 485 | 408,5 | 91 | 700x700 |

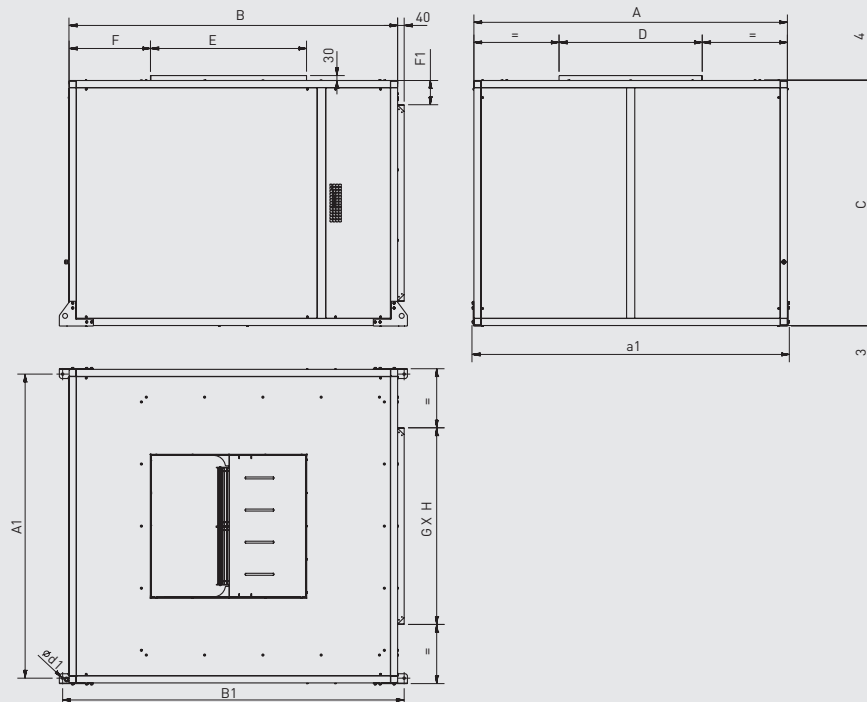
CVHT

CVHT 20-22-25-30 Horizontal



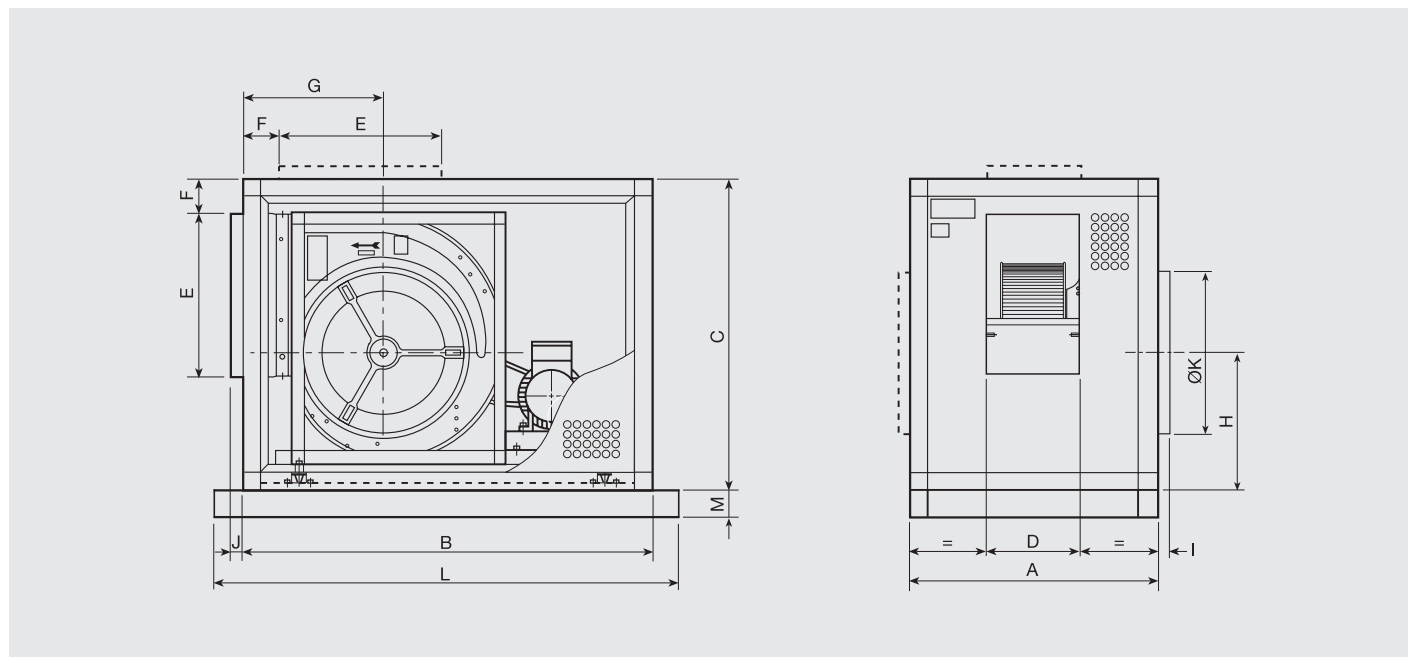
| Modelo | A | A1 | a1 | B | B1 | C | D | ø d1 | E | F | F1 | GxH |
|--------------|------|------|------|------|------|--------|-------|------|-------|------|--------|-----------|
| CVHT-20/20-H | 1414 | 1356 | 1437 | 1495 | 1575 | 1051 | 636 | 15 | 631 | 65,5 | 125,5 | 800x800 |
| CVHT-22/22-H | 1542 | 1448 | 1565 | 1638 | 1718 | 1142,5 | 697,5 | 15 | 705,5 | 65,5 | 121,25 | 900x900 |
| CVHT-25/25-H | 1697 | 1639 | 1720 | 1800 | 1880 | 1278 | 801 | 15 | 805 | 65,5 | 139 | 1000x1000 |
| CVHT-30/28-H | 1914 | 1856 | 1937 | 2005 | 2084 | 1495,5 | 874,5 | 15 | 952,5 | 65,5 | 147,75 | 1200x1200 |

CVHT 20-22-25-30 Vertical



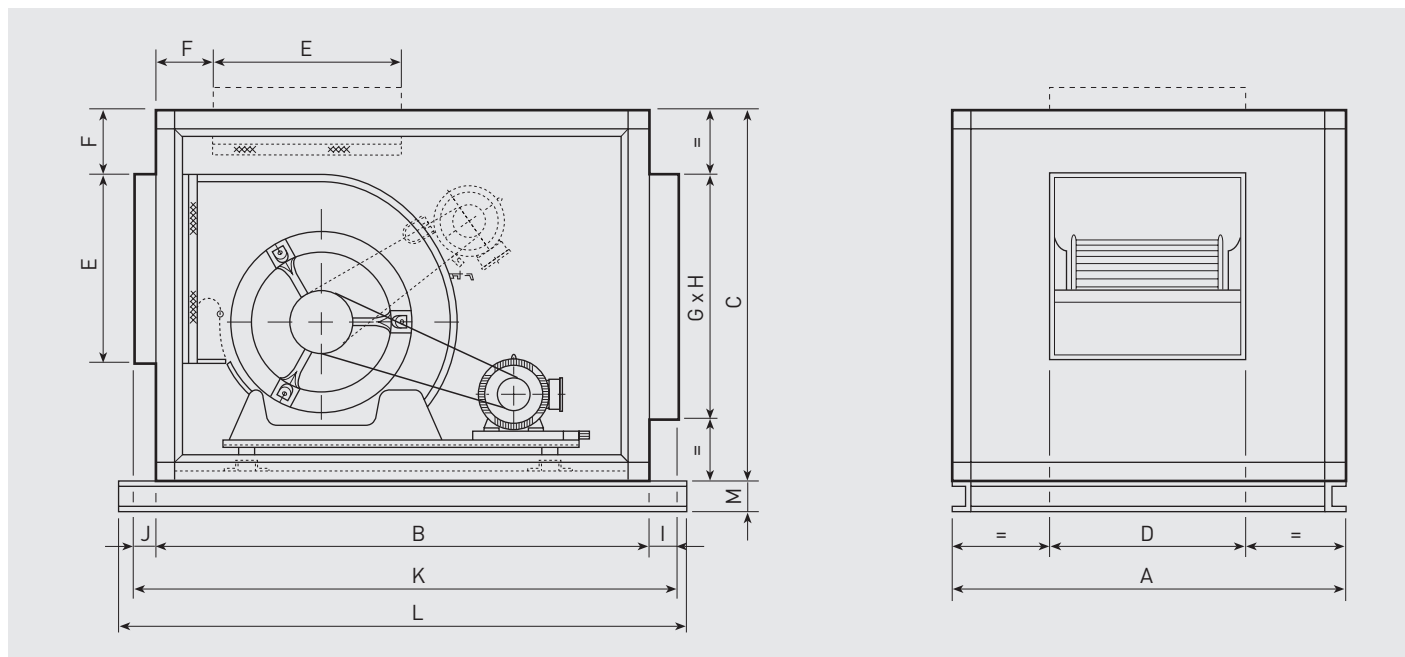
| Modelo | A | A1 | a1 | B | B1 | C | D | ø d1 | E | F | F1 | GxH |
|--------------|------|------|------|------|------|--------|-------|------|-------|-------|--------|-----------|
| CVHT-20/20-V | 1414 | 1356 | 1437 | 1495 | 1575 | 1051 | 636 | 15 | 631 | 451,5 | 125,5 | 800x800 |
| CVHT-22/22-V | 1542 | 1484 | 1565 | 1638 | 1718 | 1142,5 | 697,5 | 15 | 705,5 | 498 | 121,25 | 900x900 |
| CVHT-25/25-V | 1697 | 1639 | 1720 | 1800 | 1880 | 1278 | 801 | 15 | 805 | 497,5 | 139 | 1000x1000 |
| CVHT-30/28-V | 1914 | 1856 | 1937 | 2005 | 2084 | 1495,5 | 874,5 | 15 | 952,5 | 496,5 | 147,75 | 1200x1200 |

CVST



| Modelo | A | B | C | D | E | F | G | H | I | J | K | L | M |
|---------|-----|------|------|-----|-----|-----|-----|-----|----|----|-----|------|----|
| 9/4 H | 483 | 800 | 554 | 152 | 260 | 96 | 289 | 248 | 40 | 30 | 250 | - | - |
| 9/4 V | 483 | 800 | 554 | 152 | 260 | 96 | 311 | 268 | 40 | 30 | 250 | - | - |
| 10/6 H | 554 | 850 | 605 | 208 | 289 | 90 | 265 | 266 | 40 | 30 | 275 | - | - |
| 10/6 V | 554 | 850 | 605 | 208 | 289 | 94 | 341 | 296 | 40 | 30 | 275 | - | - |
| 12/6 H | 554 | 950 | 675 | 208 | 341 | 82 | 333 | 302 | 40 | 30 | 325 | - | - |
| 12/6 V | 554 | 950 | 675 | 208 | 341 | 82 | 381 | 337 | 40 | 30 | 325 | - | - |
| 15/8 H | 605 | 1018 | 775 | 258 | 403 | 88 | 307 | 343 | 40 | 30 | 402 | - | - |
| 15/8 V | 605 | 1018 | 775 | 258 | 403 | 88 | 431 | 379 | 40 | 30 | 402 | - | - |
| 18/8 H | 675 | 1250 | 900 | 268 | 479 | 88 | 389 | 395 | 40 | 30 | 470 | - | - |
| 18/8 V | 675 | 1250 | 900 | 268 | 479 | 88 | 505 | 447 | 40 | 30 | 470 | - | - |
| 20/10 H | 775 | 1350 | 1140 | 333 | 626 | 137 | 475 | 491 | 40 | 30 | 560 | 1510 | 80 |
| 20/10 V | 775 | 1500 | 1018 | 333 | 626 | 137 | 678 | 562 | 40 | 30 | 560 | 1660 | 80 |
| 22/11 H | 850 | 1500 | 1250 | 368 | 697 | 161 | 478 | 529 | 40 | 30 | 614 | 1660 | 80 |
| 22/11 V | 850 | 1600 | 1086 | 368 | 697 | 161 | 718 | 612 | 40 | 30 | 614 | 1760 | 80 |
| 25/13 H | 900 | 1600 | 1350 | 423 | 794 | 122 | 486 | 593 | 40 | 30 | 699 | 1760 | 80 |
| 25/13 V | 900 | 1800 | 1190 | 423 | 794 | 122 | 788 | 669 | 40 | 30 | 699 | 1960 | 80 |
| 30/14 H | 950 | 1900 | 1600 | 463 | 945 | 150 | 648 | 696 | 40 | 30 | 797 | 2060 | 80 |
| 30/14 V | 950 | 2000 | 1390 | 463 | 945 | 150 | 899 | 792 | 40 | 30 | 797 | 2160 | 80 |

CVTT



| Modelo | A | B | C | D | E | F | G | H | I | J | K | L | M |
|---------------------|------|------|------|-----|-----|-----|------|------|----|----|------|------|----|
| Descarga horizontal | | | | | | | | | | | | | |
| CVTT-7/7 - H | 554 | 710 | 483 | 232 | 222 | 92 | 325 | 325 | 30 | 30 | 780 | - | - |
| CVTT-9/9 - H | 605 | 800 | 554 | 300 | 260 | 96 | 400 | 400 | 30 | 30 | 870 | - | - |
| CVTT-10/10 - H | 710 | 850 | 605 | 333 | 289 | 94 | 450 | 450 | 30 | 30 | 920 | - | - |
| CVTT-12/12 - H | 775 | 950 | 675 | 396 | 341 | 82 | 500 | 500 | 30 | 30 | 1020 | - | - |
| CVTT-15/15 - H | 950 | 1018 | 775 | 473 | 403 | 88 | 600 | 600 | 30 | 30 | 1088 | - | - |
| CVTT-18/18 - H | 1018 | 1250 | 900 | 556 | 479 | 82 | 700 | 700 | 30 | 30 | 1320 | - | - |
| CVTT-20/20 - H | 1250 | 1350 | 1140 | 630 | 630 | 137 | 800 | 800 | 30 | 30 | 1420 | 1510 | 80 |
| CVTT-22/22 - H | 1350 | 1500 | 1250 | 695 | 700 | 161 | 900 | 900 | 30 | 30 | 1570 | 1660 | 80 |
| CVTT-25/25 - H | 1500 | 1600 | 1350 | 796 | 800 | 122 | 1000 | 1000 | 30 | 30 | 1670 | 1760 | 80 |
| CVTT-30/28 - H | 1700 | 1900 | 1600 | 870 | 945 | 150 | 1200 | 1200 | 30 | 30 | 1970 | 2060 | 80 |
| Descarga vertical | | | | | | | | | | | | | |
| CVTT-7/7 - V | 554 | 710 | 483 | 232 | 222 | 92 | 325 | 325 | 30 | 30 | 780 | - | - |
| CVTT-9/9 - V | 605 | 800 | 554 | 300 | 260 | 96 | 400 | 400 | 30 | 30 | 870 | - | - |
| CVTT-10/10 - V | 710 | 850 | 605 | 333 | 289 | 94 | 450 | 450 | 30 | 30 | 920 | - | - |
| CVTT-12/12 - V | 775 | 950 | 675 | 396 | 341 | 82 | 500 | 500 | 30 | 30 | 1020 | - | - |
| CVTT-15/15 - V | 950 | 1018 | 775 | 473 | 403 | 88 | 600 | 600 | 30 | 30 | 1088 | - | - |
| CVTT-18/18 - V | 1018 | 1250 | 900 | 556 | 479 | 82 | 700 | 700 | 30 | 30 | 1320 | - | - |
| CVTT-20/20 - V | 1250 | 1500 | 1018 | 630 | 630 | 137 | 800 | 800 | 30 | 30 | 1540 | 1660 | 80 |
| CVTT-22/22 - V | 1350 | 1600 | 1086 | 695 | 700 | 161 | 900 | 900 | 30 | 30 | 1640 | 1760 | 80 |
| CVTT-25/25 - V | 1500 | 1800 | 1190 | 796 | 800 | 128 | 1000 | 1000 | 30 | 30 | 1840 | 1960 | 80 |
| CVTT-30/28 - V | 1700 | 2000 | 1390 | 870 | 945 | 128 | 1200 | 1200 | 30 | 30 | 2040 | 2160 | 80 |

CXRT-N F400 (modelos desde 251 hasta 501)

DESCARGA ORIENTABLE

ORIENTACIONES

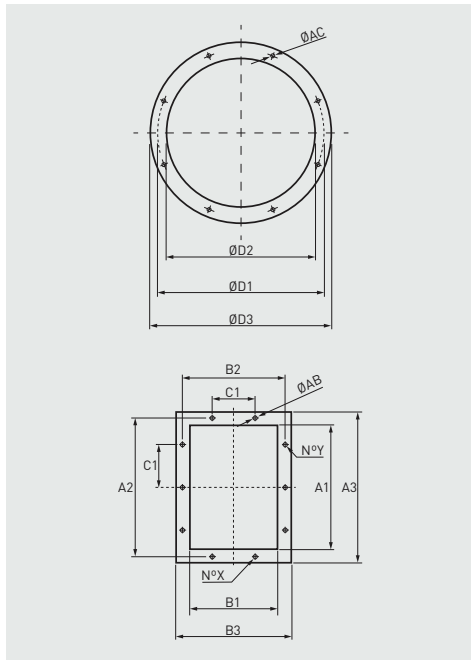
| | | | | | | | | |
|----|----|-----|-----|------|------|------|------|------|
| LG | 0° | 45° | 90° | 135° | 180° | 225° | 270° | 315° |
| | 0° | 45° | 90° | 135° | 180° | 225° | 270° | 315° |
| RD | | | | | | | | |
| | H | H1 | | | H2 | | H3 | |

Para los ventiladores con orientaciones 180° y 225°, contactar con oficina técnica

| Tipo | | Ventilador | | | | | | | | | | | | | Base | | | | | | |
|--------------|----------|------------|-----|-----|------|-----|-----|-----|-----|-----|-----|------|-------|-----|------|-----|-----|-----|-----|----|------|
| Ventilador | Motor GR | A* | B | C | Ø D1 | E | F | G | H | | | HT | mxl | Y | LT | L | P | M | R | S | Ø AA |
| | | | | | | | | | | | | | | | | | | | | | |
| | | | | | | | | | | | | | | | | | | | | | |
| CXRT-N 251/2 | 71B2 | 435 | 245 | 210 | 292 | 150 | 195 | 93 | 315 | 195 | 315 | 525 | M8X20 | 139 | 440 | 225 | 203 | 215 | 156 | 14 | 10 |
| CXRT-N 251/2 | 80A2 | 449 | 245 | 210 | 292 | 150 | 195 | 93 | 315 | 195 | 315 | 525 | M8X20 | 139 | 440 | 225 | 203 | 225 | 166 | 14 | 10 |
| CXRT-N 281/2 | 80B2 | 485 | 270 | 235 | 332 | 171 | 200 | 104 | 375 | 200 | 375 | 610 | M8X20 | 150 | 470 | 225 | 203 | 225 | 166 | 14 | 10 |
| CXRT-N 311/2 | 90L2 | 550 | 300 | 260 | 366 | 196 | 225 | 116 | 400 | 225 | 400 | 660 | M8X20 | 178 | 525 | 260 | 234 | 260 | 183 | 17 | 10 |
| CXRT-N 351/2 | 100LA2 | 610 | 340 | 295 | 405 | 215 | 255 | 129 | 450 | 255 | 450 | 745 | M8X20 | 154 | 595 | 324 | 289 | 295 | 249 | 23 | 12 |
| CXRT-N 401/2 | 132SA2 | 735 | 375 | 330 | 448 | 243 | 285 | 146 | 500 | 285 | 500 | 830 | M8X20 | 170 | 660 | 372 | 337 | 360 | 314 | 23 | 12 |
| CXRT-N 401/4 | 80A4 | 570 | 375 | 330 | 448 | 243 | 285 | 146 | 500 | 285 | 500 | 830 | M8X20 | 192 | 660 | 225 | 203 | 225 | 166 | 14 | 10 |
| CXRT-N 402/2 | 112M2 | 680 | 375 | 330 | 448 | 243 | 285 | 146 | 500 | 285 | 500 | 830 | M8X20 | 170 | 660 | 324 | 289 | 310 | 264 | 23 | 12 |
| CXRT-N 451/2 | 160MB2 | 860 | 425 | 370 | 497 | 273 | 320 | 162 | 560 | 320 | 560 | 930 | M8X25 | 193 | 745 | 440 | 395 | 470 | 414 | 28 | 14 |
| CXRT-N 451/4 | 90S4 | 640 | 425 | 370 | 497 | 273 | 320 | 162 | 560 | 320 | 560 | 930 | M8X25 | 225 | 745 | 260 | 234 | 260 | 183 | 17 | 10 |
| CXRT-N 452/2 | 132SB2 | 770 | 425 | 370 | 497 | 273 | 320 | 162 | 560 | 320 | 560 | 930 | M8X25 | 188 | 745 | 372 | 337 | 360 | 314 | 23 | 12 |
| CXRT-N 501/4 | 100LA4 | 715 | 470 | 410 | 551 | 301 | 360 | 182 | 600 | 360 | 600 | 1010 | M8X25 | 208 | 830 | 324 | 289 | 295 | 249 | 23 | 12 |
| CXRT-N 501/6 | 80B6 | 640 | 470 | 410 | 551 | 301 | 360 | 182 | 600 | 360 | 600 | 1010 | M8X25 | 230 | 830 | 225 | 203 | 225 | 166 | 14 | 10 |
| CXRT-N 502/4 | 90L4 | 680 | 470 | 410 | 551 | 301 | 360 | 182 | 600 | 360 | 600 | 1010 | M8X25 | 245 | 830 | 260 | 234 | 260 | 183 | 17 | 10 |
| CXRT-N 502/6 | 80B6 | 640 | 470 | 410 | 551 | 301 | 360 | 182 | 600 | 360 | 600 | 1010 | M8X25 | 230 | 830 | 225 | 203 | 225 | 166 | 14 | 10 |

¹ Con rodete de refrigeración
* Según tamaño motor

CXRT-N F400 (modelos desde 251 hasta 501)



| Modelo | Brida aspiración | | | | | |
|--------|------------------|------|------|------|------|----------|
| | Tipo brida | Ø D1 | Ø D2 | Ø D3 | Ø AC | Agujeros |
| 251 | 250 | 292 | 254 | 324 | 10 | 8 |
| 281 | 280 | 332 | 285 | 365 | 10 | 8 |
| 311 | 315 | 366 | 320 | 400 | 10 | 8 |
| 351 | 355 | 405 | 360 | 440 | 10 | 8 |
| 401 | 400 | 448 | 405 | 485 | 10 | 12 |
| 451 | 450 | 497 | 455 | 535 | 10 | 12 |
| 501 | 500 | 551 | 505 | 585 | 10 | 12 |

| Modelo | Brida descarga | | | | | | | | | | |
|--------|----------------|-----|-----|-----|-----|-----|-----|-----|------|-----|-----|
| | Tipo brida | A1 | B1 | A2 | B2 | A3 | B3 | C1 | Ø AB | N°X | N°Y |
| 251 | 250x180 | 256 | 183 | 292 | 219 | 326 | 253 | 112 | 12 | 2+2 | 3+3 |
| 281 | 280x200 | 288 | 205 | 332 | 249 | 368 | 285 | 125 | 12 | 2+2 | 3+3 |
| 311 | 315x224 | 322 | 229 | 366 | 273 | 402 | 309 | 125 | 12 | 2+2 | 3+3 |
| 351 | 355x250 | 361 | 256 | 405 | 300 | 441 | 336 | 125 | 12 | 2+2 | 3+3 |
| 401 | 400x280 | 404 | 288 | 448 | 332 | 484 | 368 | 125 | 12 | 3+3 | 4+4 |
| 451 | 450x315 | 453 | 322 | 497 | 366 | 533 | 402 | 125 | 12 | 3+3 | 4+4 |
| 501 | 500x355 | 507 | 361 | 551 | 405 | 587 | 441 | 125 | 12 | 3+3 | 4+4 |

CXRT-N F400 (modelos desde 561 hasta 631)

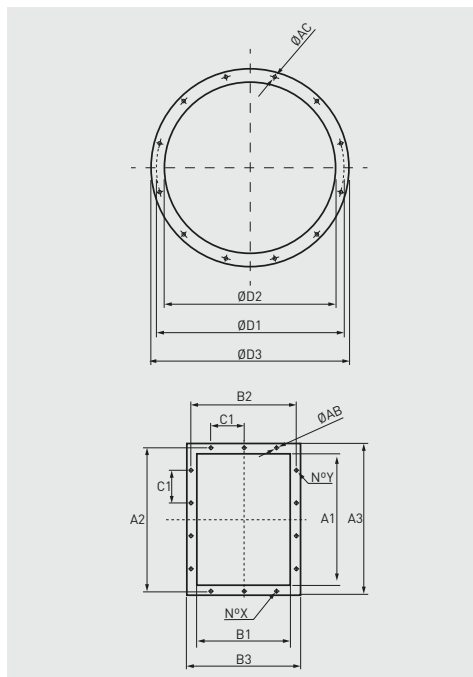
ORIENTACIONES

| | | | | | | | | | |
|----|----|-----|-----|------|------|------|------|------|--|
| LG | 0° | 45° | 90° | 135° | 180° | 225° | 270° | 315° | |
| | 0° | 45° | 90° | 135° | 180° | 225° | 270° | 315° | |
| RD | H1 | | | H2 | | | H3 | | |

Para los ventiladores con orientaciones 180° y 225°, contactar con oficina técnica

| Tipo | | Ventilador | | | | | | | | | | | Base | | | | | | | | | | | | | | | | |
|--------------|----------|------------|-----|-----|------|-----|-----|-----|-----|-----|-----|------|-------|-----|------|-----|-----|-----|-----|-----|-----|----|-----|----|-----|----|-----|------|------|
| Ventilador | Motor GR | A* | B | C | Ø D1 | E | F | G | H | | | HT | mxl | Y | LT | L | P | L1 | P1 | M | N | O | R | S | T | U | V | Ø AA | Ø AE |
| | | | | | | | | | | H1 | H2 | H3 | | | | | | | | | | | | | | | | | |
| CXRT-N 561/4 | 112M4 | 810 | 525 | 455 | 629 | 331 | 400 | 207 | 670 | 400 | 670 | 1125 | M8X30 | 229 | 925 | 324 | 289 | 672 | 632 | 310 | 410 | 52 | 264 | 23 | 462 | 23 | 772 | 12 | 17 |
| CXRT-N 561/6 | 90L6 | 735 | 525 | 455 | 629 | 331 | 400 | 207 | 670 | 400 | 670 | 1125 | M8X30 | 266 | 925 | 260 | 234 | 672 | 632 | 260 | 410 | 52 | 183 | 17 | 499 | 23 | 722 | 10 | 12 |
| CXRT-N 562/4 | 100LB4 | 770 | 525 | 455 | 629 | 331 | 400 | 207 | 670 | 400 | 670 | 1125 | M8X30 | 229 | 925 | 324 | 289 | 672 | 632 | 295 | 410 | 52 | 249 | 23 | 462 | 23 | 757 | 12 | 17 |
| CXRT-N 562/6 | 90S6 | 735 | 525 | 455 | 629 | 331 | 400 | 207 | 670 | 400 | 670 | 1125 | M8X30 | 266 | 925 | 260 | 234 | 672 | 632 | 260 | 410 | 52 | 183 | 17 | 499 | 23 | 722 | 10 | 12 |
| CXRT-N 631/4 | 132MA4 | 915 | 590 | 515 | 698 | 375 | 450 | 232 | 750 | 450 | 750 | 1265 | M8X30 | 255 | 1040 | 372 | 337 | 762 | 702 | 360 | 461 | 52 | 314 | 23 | 513 | 23 | 873 | 12 | 17 |
| CXRT-N 631/6 | 112M6 | 855 | 590 | 515 | 698 | 375 | 450 | 232 | 750 | 450 | 750 | 1265 | M8X30 | 255 | 1040 | 324 | 289 | 762 | 702 | 310 | 461 | 52 | 264 | 23 | 513 | 23 | 823 | 12 | 17 |
| CXRT-N 632/4 | 132SA4 | 915 | 590 | 515 | 698 | 375 | 450 | 232 | 750 | 450 | 750 | 1265 | M8X30 | 255 | 1040 | 372 | 337 | 762 | 702 | 360 | 461 | 52 | 314 | 23 | 513 | 23 | 873 | 12 | 17 |
| CXRT-N 632/6 | 100LA6 | 815 | 590 | 515 | 698 | 375 | 450 | 232 | 750 | 450 | 750 | 1265 | M8X30 | 255 | 1040 | 324 | 289 | 762 | 702 | 295 | 461 | 52 | 249 | 23 | 513 | 23 | 808 | 12 | 17 |

¹ Con rodete de refrigeración
* Según tamaño motor



| Modelo | Brida aspiración | | | | | |
|--------|------------------|------|------|------|------|----------|
| | Tipo brida | Ø D1 | Ø D2 | Ø D3 | Ø AC | Agujeros |
| 561 | 560 | 629 | 566 | 666 | 10 | 12 |
| 631 | 630 | 698 | 636 | 736 | 10 | 12 |

| Modelo | Brida descarga | | | | | | | | | | |
|--------|----------------|-----|-----|-----|-----|-----|-----|-----|------|-----|-----|
| | Tipo brida | A1 | B1 | A2 | B2 | A3 | B3 | C1 | Ø AB | N°X | N°Y |
| 561 | 560x400 | 569 | 404 | 629 | 464 | 669 | 504 | 160 | 14 | 3+3 | 4+4 |
| 631 | 630x450 | 638 | 453 | 698 | 513 | 738 | 553 | 160 | 14 | 3+3 | 4+4 |

CXRT-N F400 (modelos desde 711 hasta 1401)

DESCARGA NO ORIENTABLE

ORIENTACIONES

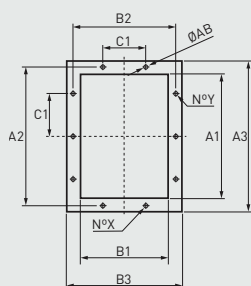
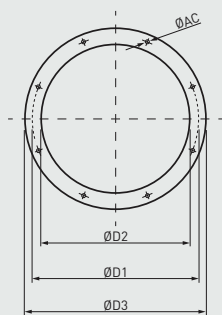
| | | | | | | | | |
|------|----|-----|-----|------|------|------|------|------|
| | 0° | 45° | 90° | 135° | 180° | 225° | 270° | 315° |
| | | | | | | | | |
| | H1 | | | H2 | | | H3 | |

Para los ventiladores con orientaciones 180° y 225°, contactar con oficina técnica

| Tipo Ventilador | Motor GR | Ventilador | | | | | | | | | | | | Base | | | | | | | | | | | | | |
|-----------------|----------|------------|------|------|------|-----|------|-----|------|------|------|------|--------|------|------|------|------|-----|------|----|-----|-----|----|------|----|------|-----|
| | | A* | B | C | ØD1 | E | F | G | H | | | HT | mxl | Y | LT | L | L1 | M | N | O | P2 | R | S | T | U | V | ØAA |
| | | | | | | | | | H1 | H2 | H3 | | | | | | | | | | | | | | | | |
| CXRT-N 711/4 | 160L4 | 1065 | 665 | 565 | 775 | 431 | 500 | 258 | 670 | 500 | 850 | 1415 | M10X30 | 314 | 1165 | 836 | 896 | 471 | 507 | 60 | 386 | 372 | 39 | 600 | 27 | 1038 | 19 |
| CXRT-N 711/6 | 132MA6 | 980 | 665 | 565 | 775 | 431 | 500 | 258 | 670 | 500 | 850 | 1415 | M10X30 | 314 | 1165 | 836 | 896 | 362 | 507 | 60 | 386 | 263 | 39 | 600 | 27 | 929 | 19 |
| CXRT-N 712/4 | 160M4 | 1065 | 665 | 565 | 775 | 431 | 500 | 258 | 670 | 500 | 850 | 1415 | M10X30 | 314 | 1165 | 836 | 896 | 471 | 507 | 60 | 386 | 372 | 39 | 600 | 27 | 1038 | 19 |
| CXRT-N 712/6 | 132SA6 | 980 | 665 | 565 | 775 | 431 | 500 | 258 | 670 | 500 | 850 | 1415 | M10X30 | 314 | 1165 | 836 | 896 | 362 | 507 | 60 | 386 | 263 | 39 | 600 | 27 | 929 | 19 |
| CXRT-N 801/4 | 180L4 | 1230 | 740 | 630 | 861 | 482 | 560 | 290 | 750 | 560 | 950 | 1580 | M10X30 | 345 | 1300 | 926 | 986 | 540 | 569 | 60 | 431 | 441 | 39 | 662 | 27 | 1169 | 19 |
| CXRT-N 801/6 | 160M6 | 1130 | 740 | 630 | 861 | 482 | 560 | 290 | 750 | 560 | 950 | 1580 | M10X30 | 345 | 1300 | 926 | 986 | 471 | 569 | 60 | 431 | 372 | 39 | 662 | 27 | 1100 | 19 |
| CXRT-N 802/4 | 180M4 | 1230 | 740 | 630 | 861 | 482 | 560 | 290 | 750 | 560 | 950 | 1580 | M10X30 | 345 | 1300 | 926 | 986 | 540 | 569 | 60 | 431 | 441 | 39 | 662 | 27 | 1169 | 19 |
| CXRT-N 802/6 | 132MB6 | 1045 | 740 | 630 | 861 | 482 | 560 | 290 | 750 | 560 | 950 | 1580 | M10X30 | 345 | 1300 | 926 | 986 | 362 | 569 | 60 | 431 | 263 | 39 | 662 | 27 | 991 | 19 |
| CXRT-N 901/4 | 225M4 | 1390 | 830 | 705 | 958 | 543 | 630 | 321 | 850 | 630 | 1060 | 1765 | M10X30 | 379 | 1460 | 1026 | 1086 | 540 | 638 | 60 | 481 | 441 | 39 | 731 | 27 | 1238 | 19 |
| CXRT-N 901/6 | 180L6 | 1300 | 830 | 705 | 958 | 543 | 630 | 321 | 850 | 630 | 1060 | 1765 | M10X30 | 379 | 1460 | 1026 | 1086 | 543 | 638 | 60 | 481 | 441 | 39 | 731 | 27 | 1238 | 19 |
| CXRT-N 902/4 | 225S4 | 1390 | 830 | 705 | 958 | 543 | 630 | 321 | 850 | 630 | 1060 | 1765 | M10X30 | 379 | 1460 | 1026 | 1086 | 540 | 638 | 60 | 481 | 441 | 39 | 731 | 27 | 1238 | 19 |
| CXRT-N 902/6 | 160L6 | 1200 | 830 | 705 | 958 | 543 | 630 | 321 | 850 | 630 | 1060 | 1765 | M10X30 | 379 | 1460 | 1026 | 1086 | 474 | 638 | 60 | 481 | 372 | 39 | 731 | 27 | 1169 | 19 |
| CXRT-N 1001/6 | 200L6 | 1435 | 935 | 795 | 1067 | 610 | 710 | 361 | 950 | 710 | 1180 | 1975 | M10X30 | 413 | 1645 | 1128 | 1188 | 500 | 715 | 60 | 528 | 400 | 45 | 803 | 27 | 1275 | 19 |
| CXRT-N 1002/6 | 200LR6 | 1435 | 935 | 795 | 1067 | 610 | 710 | 361 | 950 | 710 | 1180 | 1975 | M10X30 | 413 | 1645 | 1128 | 1188 | 500 | 715 | 60 | 528 | 400 | 45 | 803 | 27 | 1275 | 19 |
| CXRT-N 1121/6 | 250M6 | 1640 | 1065 | 895 | 1200 | 683 | 800 | 402 | 1060 | 800 | 1320 | 2215 | M10X30 | 481 | 1865 | 1268 | 1348 | 600 | 801 | 80 | 589 | 475 | 45 | 926 | 35 | 1481 | 24 |
| CXRT-N 1122/6 | 225M6 | 1574 | 1065 | 895 | 1200 | 683 | 800 | 402 | 1060 | 800 | 1320 | 2215 | M10X30 | 481 | 1865 | 1268 | 1348 | 540 | 801 | 80 | 589 | 415 | 45 | 926 | 35 | 1421 | 24 |
| CXRT-N 1251/6 | 315S6 | 1895 | 1180 | 1005 | 1337 | 770 | 900 | 451 | 1180 | 900 | 1500 | 2505 | M10x40 | 530 | 2080 | 1400 | 1480 | 816 | 898 | 80 | 655 | 691 | 45 | 1023 | 35 | 1794 | 24 |
| CXRT-N 1252/6 | 280M6 | 1885 | 1180 | 1005 | 1337 | 770 | 900 | 451 | 1180 | 900 | 1500 | 2505 | M10x40 | 529 | 2080 | 1400 | 1480 | 690 | 898 | 80 | 655 | 565 | 45 | 1023 | 35 | 1668 | 24 |
| CXRT-N 1401/6 | 315MA6 | 2005 | 1365 | 1115 | 1491 | 854 | 1000 | 506 | 1320 | 1000 | 1700 | 2815 | M10x40 | 604 | 2365 | 1560 | 1640 | 800 | 1007 | 80 | 725 | 645 | 55 | 1152 | 35 | 1887 | 24 |
| CXRT-N 1402/6 | 315M6 | 2005 | 1365 | 1115 | 1491 | 854 | 1000 | 506 | 1320 | 1000 | 1700 | 2815 | M10x40 | 604 | 2365 | 1560 | 1640 | 800 | 1007 | 80 | 725 | 645 | 55 | 1152 | 35 | 1887 | 24 |

1 Con rodete de refrigeración
* Según tamaño motor

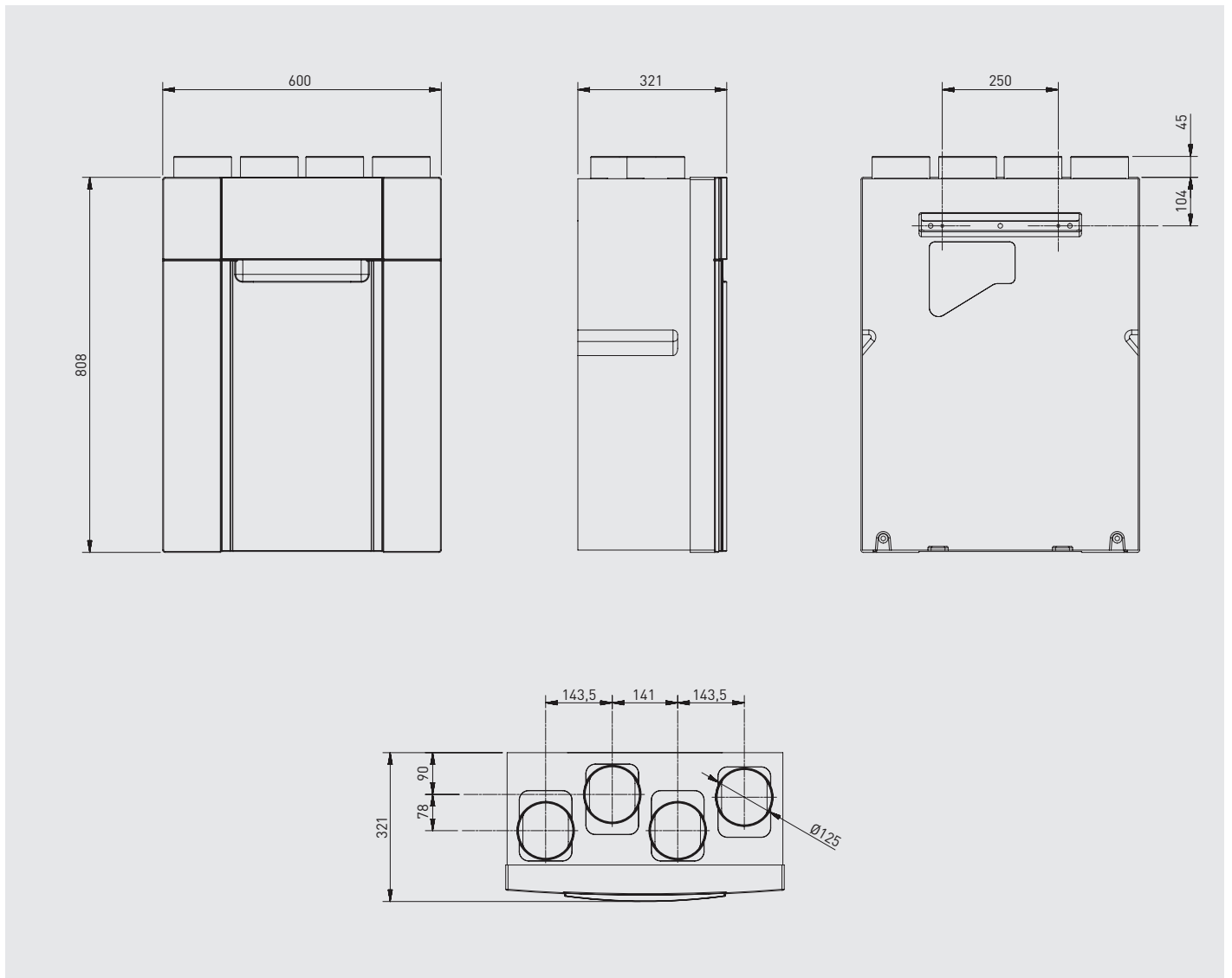
CXRT-N F400 (modelos desde 711 hasta 1401)



| Modelo | Brida aspiración | | | | | |
|-------------|------------------|------|------|------|------|----------|
| | Tipo brida | Ø D1 | Ø D2 | Ø D3 | Ø AC | Agujeros |
| 711 | 710 | 775 | 716 | 816 | 12 | 16 |
| 801 | 800 | 861 | 806 | 906 | 12 | 16 |
| 901 | 900 | 958 | 906 | 1006 | 12 | 16 |
| 1001 | 1000 | 1067 | 1007 | 1107 | 12 | 24 |
| 1121 | 1120 | 1200 | 1128 | 1248 | 12 | 24 |
| 1251 | 1250 | 1337 | 1260 | 1380 | 12 | 24 |
| 1401 | 1400 | 1491 | 1420 | 1540 | 12 | 32 |

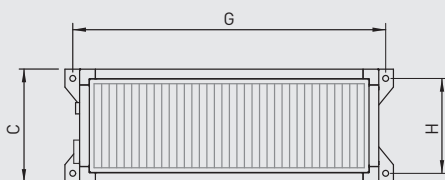
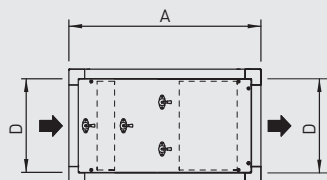
| Modelo | Brida descarga | | | | | | | | | | |
|-------------|----------------|------|------|------|------|------|------|-----|------|-----|-----|
| | Tipo brida | A1 | B1 | A2 | B2 | A3 | B3 | C1 | Ø AB | N°X | N°Y |
| 711 | 710x500 | 715 | 507 | 775 | 567 | 815 | 607 | 160 | 14 | 3+3 | 5+5 |
| 801 | 800x560 | 801 | 569 | 871 | 639 | 921 | 689 | 200 | 14 | 3+3 | 4+4 |
| 901 | 900x630 | 898 | 638 | 968 | 708 | 1018 | 758 | 200 | 14 | 4+4 | 5+5 |
| 1001 | 1000x710 | 1007 | 715 | 1077 | 785 | 1127 | 835 | 200 | 14 | 4+4 | 5+5 |
| 1121 | 1120x800 | 1130 | 801 | 1210 | 881 | 1270 | 941 | 200 | 18 | 4+4 | 6+6 |
| 1251 | 1250x900 | 1267 | 898 | 1347 | 978 | 1407 | 1038 | 200 | 18 | 5+5 | 7+7 |
| 1401 | 1400x1000 | 1421 | 1007 | 1501 | 1087 | 1561 | 1147 | 200 | 18 | 5+5 | 7+7 |

DOME0

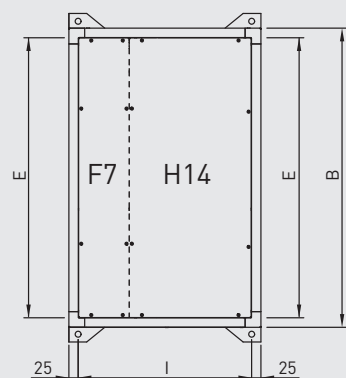


FB F7 H14

Versión para integrar en unidades UTC / UTBS
Modelos FB-2 a FB-9

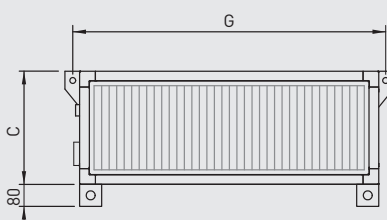
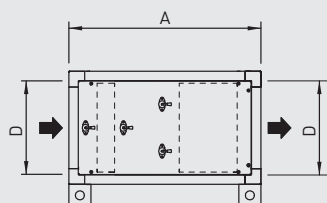


Unidad vista desde la aspiración

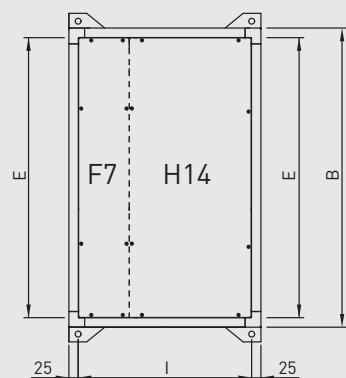


| Módulo de filtración | A | B | C | D | E | G | H | I |
|----------------------|------|------|------|-----|------|------|------|-----|
| FB 2 F7 H14 | 750 | 1100 | 410 | 349 | 1039 | 1130 | 360 | 700 |
| FB 4 F7 H14 | 750 | 1500 | 410 | 349 | 1438 | 1530 | 360 | 700 |
| FB 6 F7 H14 | 750 | 1900 | 500 | 436 | 1838 | 1930 | 450 | 700 |
| FB 9 F7 H14 | 750 | 1900 | 650 | 589 | 1838 | 1930 | 600 | 700 |
| FB 12 F7 H14 | 750 | 2100 | 750 | 689 | 2037 | 2176 | 700 | 700 |
| FB 15 F7 H14 | 1000 | 2250 | 900 | 839 | 2189 | 2326 | 850 | 700 |
| FB 18 F7 H14 | 1000 | 2250 | 1050 | 989 | 2189 | 2326 | 1000 | 700 |

Modelos FB-12 a FB-18



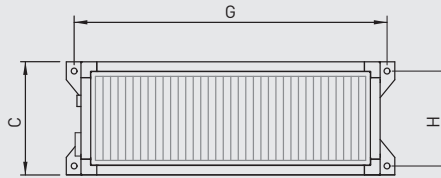
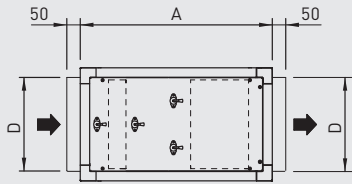
Unidad vista desde la aspiración



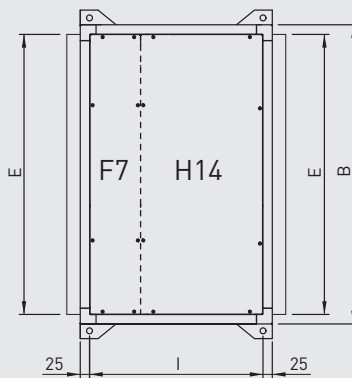
| Módulo de filtración | A | B | C | D | E | G | I |
|----------------------|------|------|------|-----|------|------|-----|
| FB 2 F7 H14 | 750 | 1100 | 410 | 349 | 1039 | 1130 | 700 |
| FB 4 F7 H14 | 750 | 1500 | 410 | 349 | 1438 | 1530 | 700 |
| FB 6 F7 H14 | 750 | 1900 | 500 | 436 | 1838 | 1930 | 700 |
| FB 9 F7 H14 | 750 | 1900 | 650 | 589 | 1838 | 1930 | 700 |
| FB 12 F7 H14 | 750 | 2100 | 750 | 689 | 2037 | 2176 | 700 |
| FB 15 F7 H14 | 1000 | 2250 | 900 | 839 | 2189 | 2326 | 700 |
| FB 18 F7 H14 | 1000 | 2250 | 1050 | 989 | 2189 | 2326 | 700 |

FB F7 H14

Versión para integrar en redes de conductos
Modelos FB-2 a FB-9

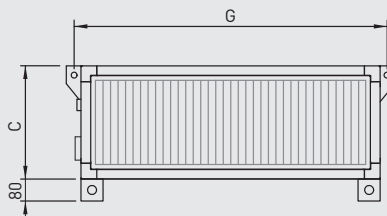
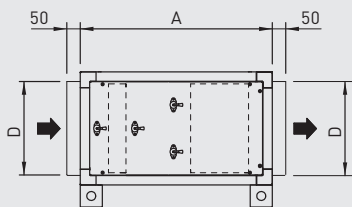


Unidad vista desde la aspiración

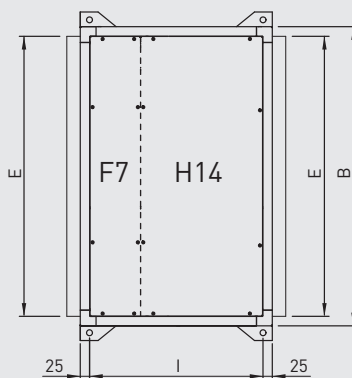


| Módulo de filtración | A | B | C | D | E | G | H | I |
|----------------------|------|------|------|-----|------|------|------|-----|
| FB 2 F7 H14 | 750 | 1100 | 410 | 349 | 1039 | 1130 | 360 | 700 |
| FB 4 F7 H14 | 750 | 1500 | 410 | 349 | 1438 | 1530 | 360 | 700 |
| FB 6 F7 H14 | 750 | 1900 | 500 | 436 | 1838 | 1930 | 450 | 700 |
| FB 9 F7 H14 | 750 | 1900 | 650 | 589 | 1838 | 1930 | 600 | 700 |
| FB 12 F7 H14 | 750 | 2100 | 750 | 689 | 2037 | 2176 | 700 | 700 |
| FB 15 F7 H14 | 1000 | 2250 | 900 | 839 | 2189 | 2326 | 850 | 700 |
| FB 18 F7 H14 | 1000 | 2250 | 1050 | 989 | 2189 | 2326 | 1000 | 700 |

Modelos FB-12 a FB-18

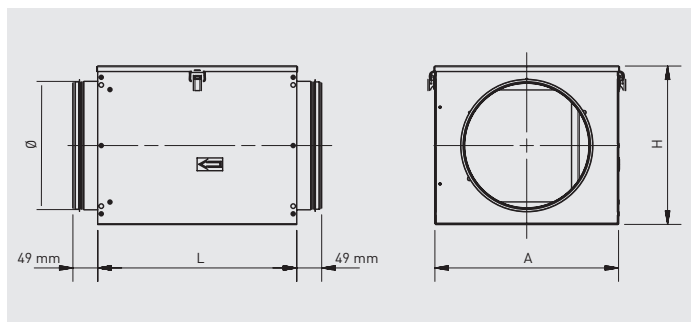


Unidad vista desde la aspiración



| Módulo de filtración | A | B | C | D | E | G | I |
|----------------------|------|------|------|-----|------|------|-----|
| FB 2 F7 H14 | 750 | 1100 | 410 | 349 | 1039 | 1130 | 700 |
| FB 4 F7 H14 | 750 | 1500 | 410 | 349 | 1438 | 1530 | 700 |
| FB 6 F7 H14 | 750 | 1900 | 500 | 436 | 1838 | 1930 | 700 |
| FB 9 F7 H14 | 750 | 1900 | 650 | 589 | 1838 | 1930 | 700 |
| FB 12 F7 H14 | 750 | 2100 | 750 | 689 | 2037 | 2176 | 700 |
| FB 15 F7 H14 | 1000 | 2250 | 900 | 839 | 2189 | 2326 | 700 |
| FB 18 F7 H14 | 1000 | 2250 | 1050 | 989 | 2189 | 2326 | 700 |

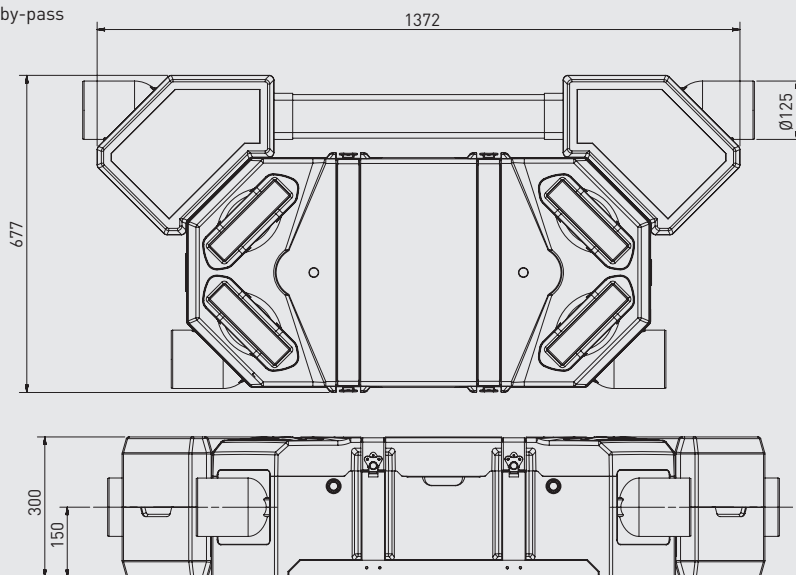
FBL-N



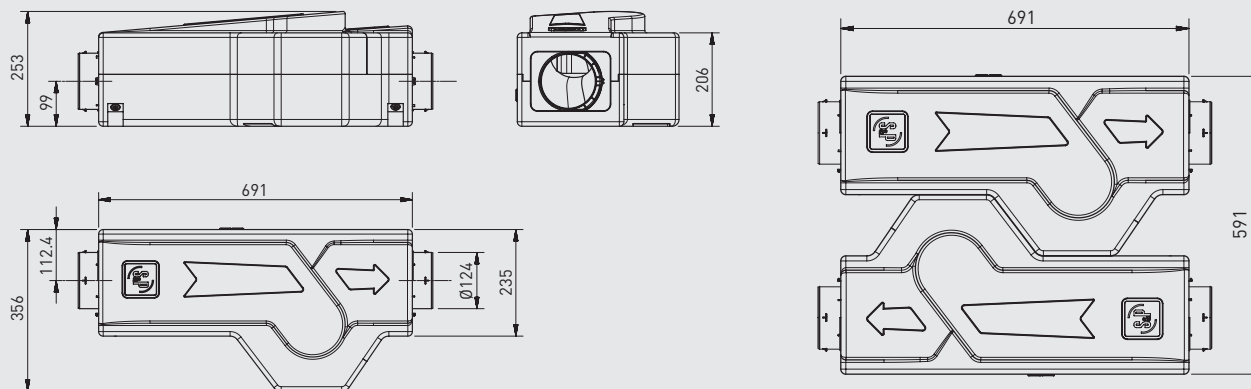
| Modelo | L | A | H |
|--------------|------|------|-----|
| FBL-N-125 | 250 | 260 | 200 |
| FBL-N-160 | 290 | 260 | 250 |
| FBL-N-200 | 290 | 260 | 310 |
| FBL-N-250 | 390 | 360 | 310 |
| FBL-N-315 | 490 | 460 | 450 |
| FBL-N-355/18 | 540 | 510 | 450 |
| FBL-N-355/23 | 590 | 560 | 480 |
| FBL-N-400 | 690 | 660 | 480 |
| FBL-N-450 | 770 | 740 | 550 |
| FBL-N-500 | 970 | 940 | 600 |
| FBL-N-630 | 1040 | 1010 | 770 |

FLEXEO 3V

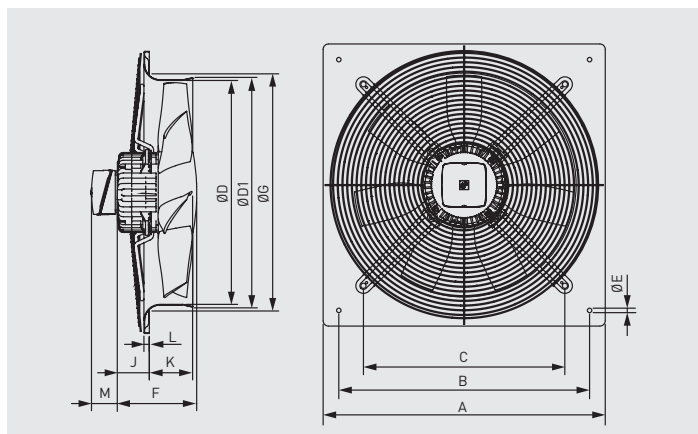
Recuperador de calor estático con by-pass



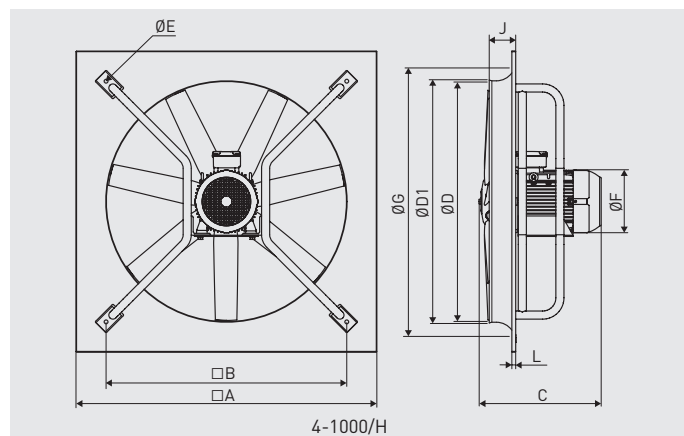
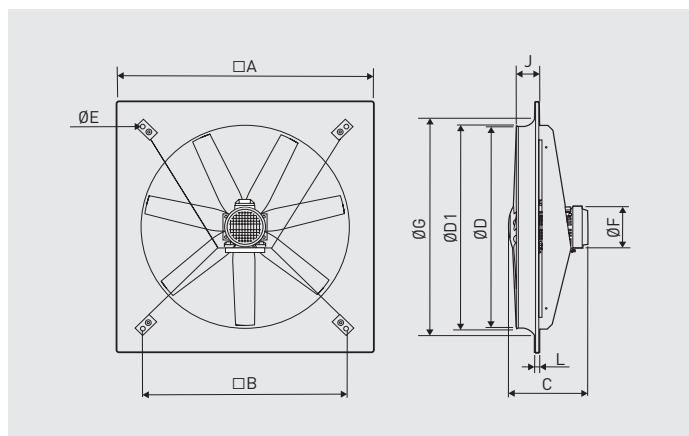
Ventiladores de impulsión y de extracción



HCFB/HCFT - HCBB/HCBT

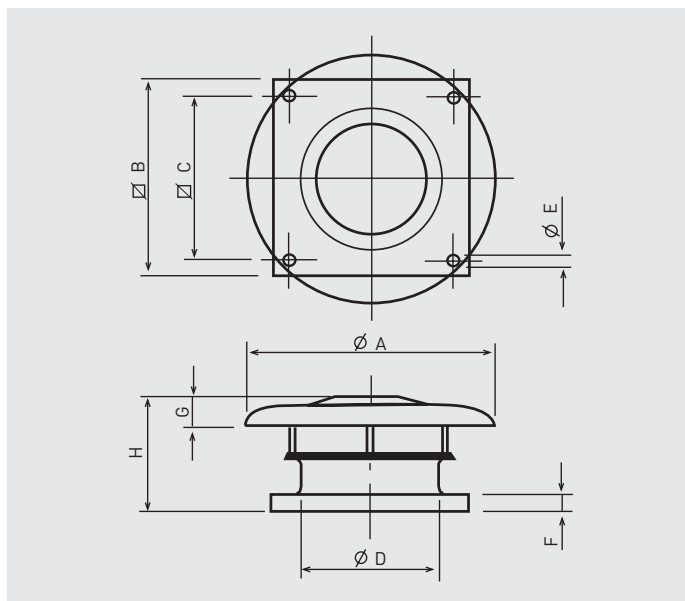


| Modelo | A | B | C | Ø D | Ø D1 | Ø E | F | | | Ø G | J | | | K | L | M | |
|--------|-----|-----|-----|-----|------|-----|-----------------|-------|-------|-----|-----------------|-------|------|------|------|-----|------|
| | | | | | | | Número de polos | | | | Número de polos | | | | | Tri | Mono |
| | | | | | | | /2 | /4 | /6 | | /2 | /4 | /6 | | | | |
| 250 | 315 | 260 | 220 | 254 | 261 | 10 | | 122 | | 294 | | 59 | | 53 | 12 | 60 | 65 |
| 315 | 400 | 330 | 280 | 315 | 320 | 10 | 129 | 122 | 122 | 329 | 45 | 32 | 32 | 68 | 12 | 60 | 65 |
| 355 | 450 | 380 | 315 | 355 | 363 | 10 | 129 | 129 | 129 | 371 | 45 | 45 | 45 | 75 | 12 | 60 | 65 |
| 400 | 500 | 420 | 355 | 400 | 410 | 10 | | 129 | 129 | 422 | | 40,5 | 40,5 | 78 | 12 | 60 | 65 |
| 450 | 560 | 480 | 400 | 450 | 457 | 10 | | 150 | 150 | 476 | | 48 | 48 | 91 | 12 | 60 | 65 |
| 500 | 630 | 560 | 450 | 500 | 512 | 10 | | 150 | 150 | 536 | | 44,5 | 44,5 | 97 | 12 | 60 | 65 |
| 560 | 710 | 630 | 510 | 560 | 570 | 10 | | 218,5 | 150 | 596 | | 110,5 | 42 | 98,5 | 12 | 60 | 65 |
| 630 | 800 | 710 | 580 | 630 | 640 | 12 | | 218,5 | 150 | 674 | | 110,5 | 41 | 103 | 12 | 60 | 65 |
| 710 | 900 | 800 | 636 | 710 | 720 | 12 | | 220 | 218,5 | 733 | | 114 | 134 | 91,5 | 16,5 | 60 | 65 |



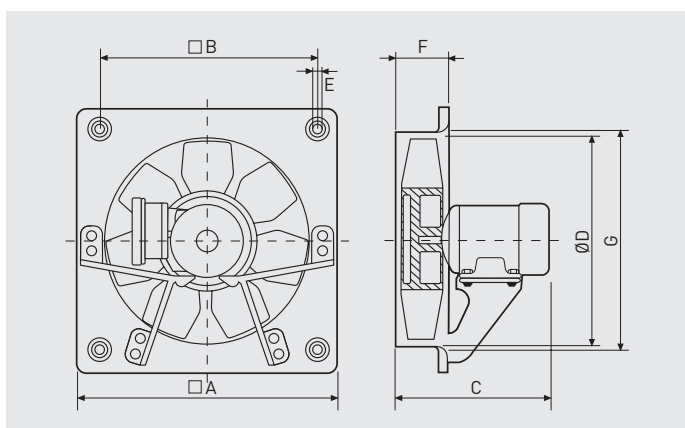
| Modelo | A | B | Ø D | Ø D1 | Ø E | J | Ø G | C | | | | Ø F | | | |
|----------|------|------|------|------|-----|-----|------|-----|-----|-----|-----|-----|-----|-----|-----|
| | | | | | | | | /4 | | /6 | | /4 | | /6 | |
| | | | | | | | | L | H | L | H | L | H | L | H |
| 800 | 1000 | 800 | 800 | 810 | 18 | 92 | 926 | 363 | 445 | 318 | 363 | 180 | 200 | 160 | 180 |
| 900 | 1120 | 900 | 900 | 910 | 18 | 120 | 1060 | 445 | 502 | 393 | 400 | 200 | 275 | 180 | 200 |
| 1000 | 1250 | 1000 | 1000 | 1010 | 18 | 110 | 1154 | 445 | - | 393 | 400 | 200 | - | 180 | 200 |
| 4-1000/H | 1250 | 1000 | 1000 | 1010 | 16 | 110 | 1154 | - | 502 | - | - | - | 275 | - | - |

HCTB / HCTT



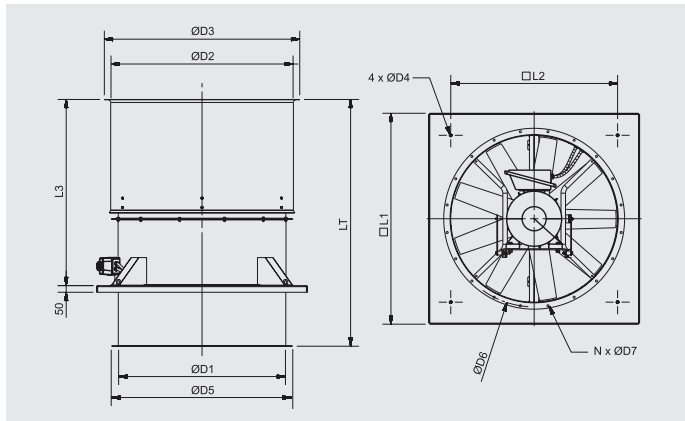
| Modelo | Ø A | □ B | □ C | Ø D | Ø E | F | G | H |
|--------|------|------|-----|------|-----|----|-----|-----|
| 315 | 640 | 560 | 450 | 315 | 12 | 40 | 70 | 352 |
| 355 | 760 | 630 | 535 | 355 | 12 | 40 | 80 | 372 |
| 400 | 760 | 630 | 535 | 400 | 12 | 40 | 80 | 372 |
| 450 | 895 | 710 | 590 | 450 | 14 | 40 | 110 | 416 |
| 500 | 895 | 710 | 590 | 500 | 14 | 40 | 110 | 436 |
| 560 | 1150 | 905 | 750 | 560 | 14 | 50 | 165 | 508 |
| 630 | 1150 | 905 | 750 | 630 | 14 | 50 | 165 | 508 |
| 710 | 1350 | 1100 | 840 | 710 | 14 | 50 | 200 | 549 |
| 800 | 1350 | 1100 | 840 | 800 | 14 | 50 | 200 | 729 |
| 900 | 1580 | 1250 | 950 | 900 | 14 | 50 | 200 | 763 |
| 1000 | 1580 | 1250 | 950 | 1000 | 14 | 50 | 200 | 763 |

HDB / HDT



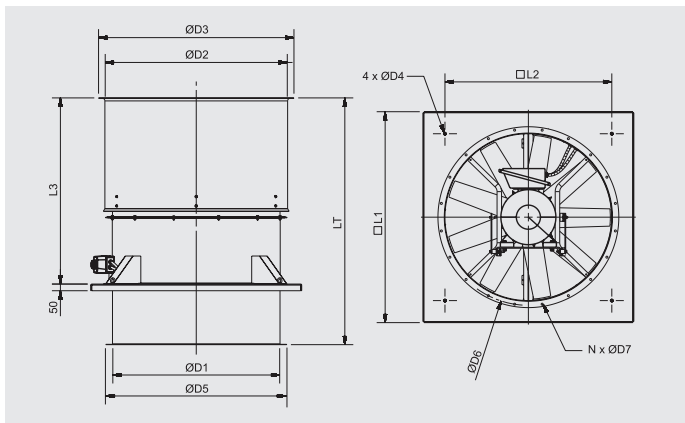
| Modelo | □ A | □ B | C | | | Ø D | E | F | Ø G |
|---------|-----|-----|-----------------|-----|-----|-----|----|-----|-----|
| | | | Número de polos | | | | | | |
| | | | /4 | /6 | /8 | | | | |
| HDT/315 | 400 | 330 | 323 | - | - | 315 | 10 | 85 | 329 |
| HDT/355 | 450 | 380 | 325 | 325 | - | 355 | 10 | 87 | 371 |
| HDT/400 | 500 | 420 | 336 | 336 | - | 400 | 10 | 90 | 422 |
| HDT/450 | 560 | 480 | 360 | 349 | 349 | 450 | 10 | 106 | 476 |
| HDT/560 | 710 | 630 | 435 | 435 | 368 | 560 | 10 | 112 | 596 |

HGHT-V



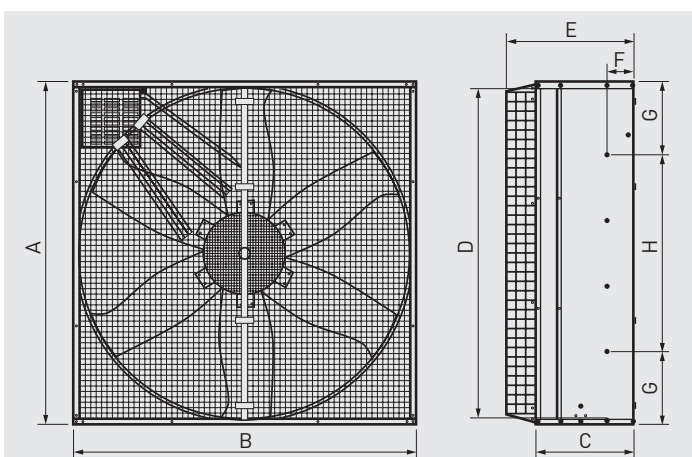
| HGHT-V | D1 | D2 | D3 | D4 | D5 | D6 | D7 | N | L1 | L2 | L3 | LT |
|--------|------|------|------|----|------|------|----|----|------|------|------|------|
| 800 | 800 | 912 | 1012 | 14 | 890 | 860 | 12 | 16 | 1100 | 840 | 1015 | 1198 |
| 900 | 900 | 1013 | 1113 | 14 | 1005 | 970 | 15 | 16 | 1250 | 950 | 1135 | 1463 |
| 1000 | 1000 | 1113 | 1213 | 14 | 1105 | 1070 | 15 | 16 | 1270 | 950 | 1215 | 1543 |
| 1250 | 1250 | 1364 | 1464 | 16 | 1355 | 1320 | 15 | 20 | 1580 | 1250 | 1394 | 1848 |

HGTT-V



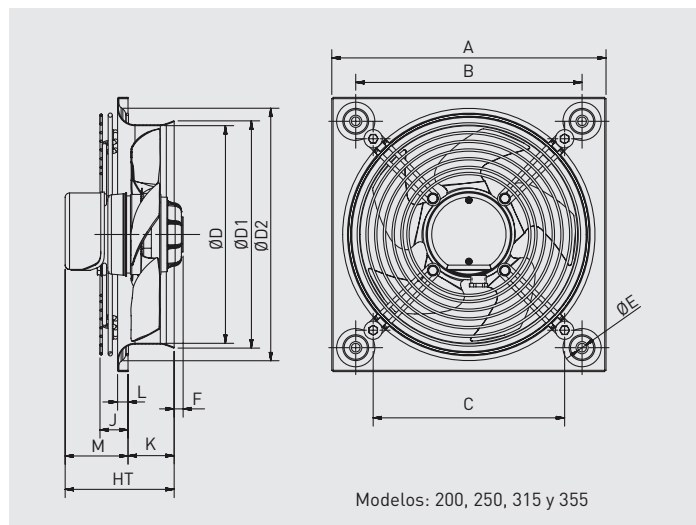
| HGTT-V | D1 | D2 | D3 | D4 | D5 | D6 | D7 | N | L1 | L2 | L3 | LT |
|--------|------|------|------|----|------|------|----|----|------|------|------|------|
| 800 | 800 | 912 | 1012 | 14 | 890 | 860 | 12 | 16 | 1100 | 840 | 1015 | 1198 |
| 900 | 900 | 1013 | 1113 | 14 | 1005 | 970 | 15 | 16 | 1250 | 950 | 1135 | 1463 |
| 1000 | 1000 | 1113 | 1213 | 14 | 1105 | 1070 | 15 | 16 | 1270 | 950 | 1215 | 1543 |
| 1250 | 1250 | 1364 | 1464 | 16 | 1355 | 1320 | 15 | 20 | 1580 | 1250 | 1394 | 1848 |

HIB-P / HIT-P

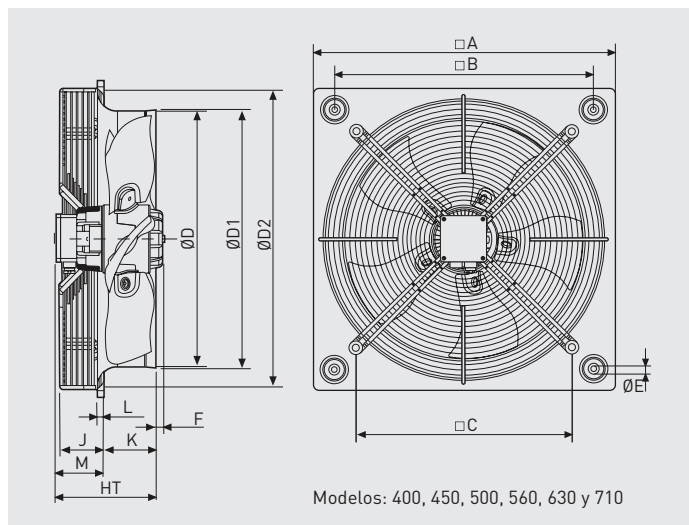


| Modelo | A | B | C | D | E | F | G | H |
|------------------|------|------|-----|------|-----|-------|-----|-----|
| HIT / HIB 800 P | 905 | 907 | 530 | 645 | 780 | 252,5 | 225 | 455 |
| HIT / HIB 1000 P | 1145 | 1145 | 400 | 1060 | 515 | 109 | 225 | 692 |
| HIT / HIB 1250 P | 1380 | 1380 | 400 | 1340 | 515 | 114 | 292 | 795 |

HXBR / HXTR

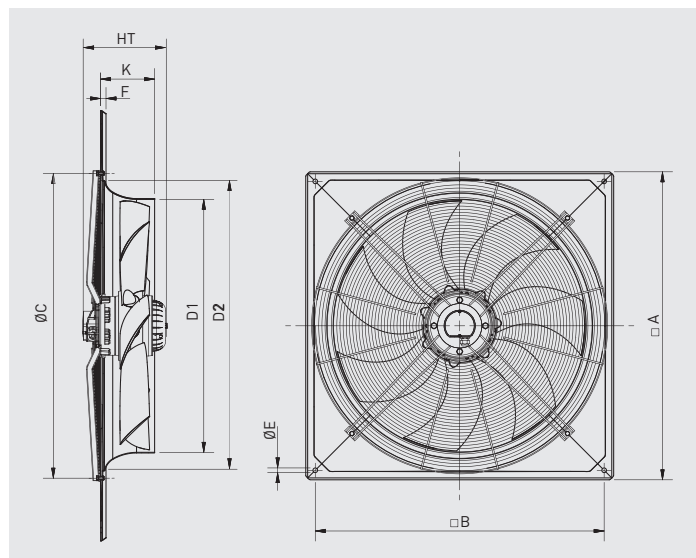


Modelos: 200, 250, 315 y 355



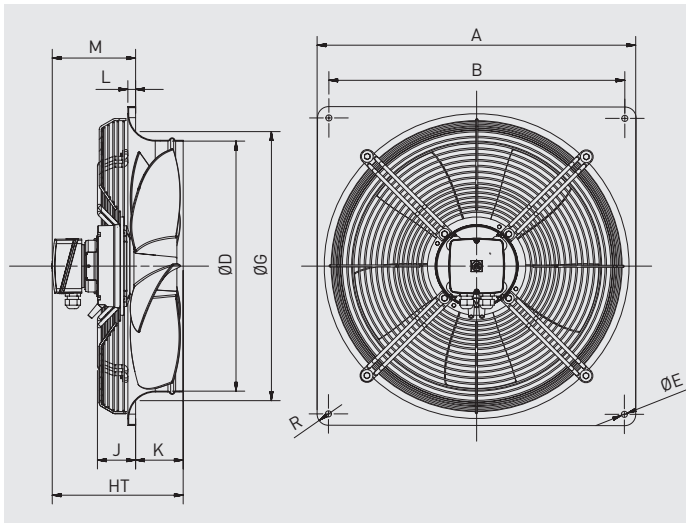
Modelos: 400, 450, 500, 560, 630 y 710

| Modelo | A | B | C | D | D1 | D2 | E | F | | | | | | HT | | J | K | L | M | |
|--------|-----|-----|-----|-----|-----|-----|-----|------------|----|----|-----------|----|----|------------|-----------|-----|-----|----|------------|-----------|
| | | | | | | | | Monofásico | | | Trifásico | | | Monofásico | Trifásico | | | | Monofásico | Trifásico |
| | | | | | | | | /2 | /4 | /6 | /2 | /4 | /6 | | | | | | | |
| 200 | 312 | 260 | 173 | 200 | 203 | 227 | 4,5 | 25,5 | - | - | - | - | - | 100 | - | 13 | 46 | 6 | 54 | - |
| 250 | 315 | 260 | 220 | 250 | 261 | 294 | 10 | 10,5 | 0 | - | 10,5 | 0 | - | 126 | 126 | 33 | 53 | 12 | 73 | 73 |
| 315 | 400 | 330 | 280 | 315 | 320 | 329 | 10 | - | 0 | - | - | 0 | - | 149 | 149 | 41 | 68 | 12 | 82 | 82 |
| 355 | 450 | 380 | 315 | 355 | 363 | 371 | 10 | - | 0 | - | - | 0 | - | 156 | 156 | 41 | 75 | 12 | 82 | 82 |
| 400 | 500 | 420 | 355 | 400 | 410 | 422 | 10 | - | 12 | 0 | - | 0 | 0 | 200 | 176 | 92 | 78 | 12 | 122 | 97 |
| 450 | 560 | 480 | 400 | 450 | 457 | 476 | 10 | - | 0 | 0 | - | 0 | 0 | 204 | 179 | 68 | 91 | 12 | 114 | 89 |
| 500 | 630 | 560 | 450 | 500 | 512 | 536 | 10 | - | 13 | 0 | - | 13 | 0 | 201 | 176 | 60 | 97 | 12 | 104 | 79 |
| 560 | 710 | 630 | 510 | 560 | 570 | 596 | 10 | - | 20 | 2 | - | 20 | 0 | 213 | 188 | 70 | 99 | 12 | 114 | 89 |
| 630 | 800 | 710 | 580 | 630 | 640 | 674 | 12 | - | 25 | 25 | - | 25 | 7 | 207 | 182 | 60 | 103 | 12 | 104 | 79 |
| 710 | 900 | 800 | 637 | 710 | 720 | 733 | 12 | - | - | - | - | - | 11 | - | 206 | 115 | 92 | 17 | - | 115 |



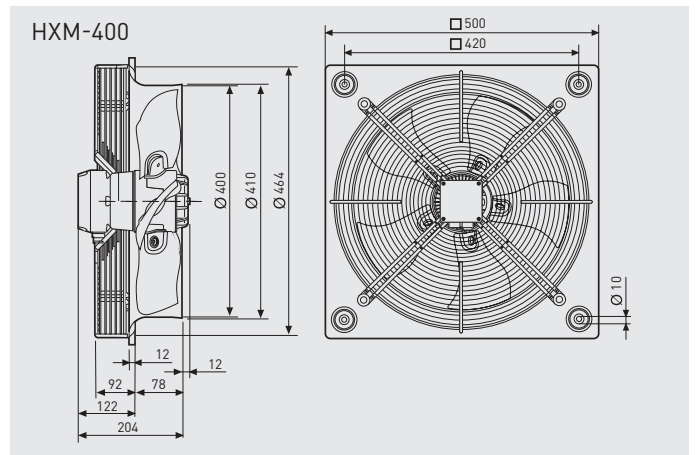
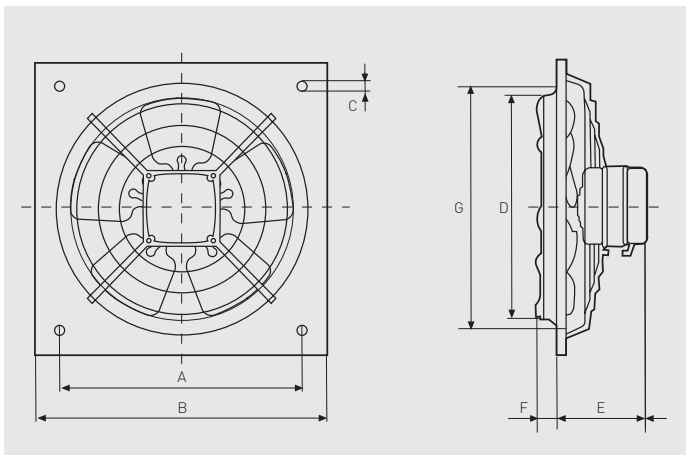
| Modelo | A | B | C | D1 | D2 | E | F | HT | K |
|--------|-----|-----|-----|-----|-----|------|----|-----|-----|
| 6-800 | 970 | 910 | 960 | 797 | 914 | 14,5 | 17 | 262 | 170 |
| 8-800 | 970 | 910 | 960 | 797 | 914 | 14,5 | 17 | 245 | 170 |
| 12-800 | 970 | 910 | 960 | 797 | 914 | 14,5 | 17 | 467 | 170 |

HXBR ECOWATT



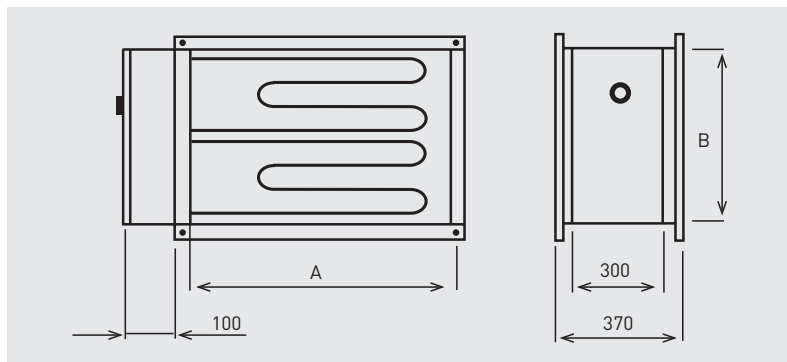
| Modelo | A | B | D | E | G | HT | J | K | L | M | R |
|--------|-----|-----|-----|----|-----|-----|----|----|----|-----|----|
| 200 | 312 | 260 | 200 | 7 | 210 | 190 | 70 | 46 | 6 | 138 | 20 |
| 250 | 370 | 320 | 254 | 7 | 264 | 190 | 70 | 48 | 6 | 136 | 20 |
| 300 | 430 | 380 | 305 | 9 | 324 | 190 | 55 | 71 | 11 | 108 | 20 |
| 315 | 430 | 380 | 317 | 9 | 330 | 190 | 55 | 71 | 11 | 108 | 20 |
| 355 | 485 | 435 | 358 | 9 | 378 | 190 | 56 | 74 | 12 | 104 | 20 |
| 400 | 540 | 490 | 403 | 9 | 426 | 232 | 62 | 88 | 12 | 132 | 20 |
| 450 | 576 | 535 | 452 | 11 | 487 | 237 | 69 | 86 | 14 | 137 | 20 |

HXM



| Modelo | ∅A | ∅B | ∅C | ∅D | E | F | ∅G |
|---------|-------|-----|------|-----|-----|------|-----|
| HXM-200 | 222,5 | 266 | 9,5 | 205 | 88 | 19,5 | 211 |
| HXM-250 | 275,5 | 333 | 9,5 | 255 | 99 | 31,5 | 261 |
| HXM-300 | 336,5 | 400 | 10,5 | 305 | 99 | 35,5 | 311 |
| HXM-350 | 390,5 | 465 | 10,5 | 361 | 106 | 34,5 | 371 |

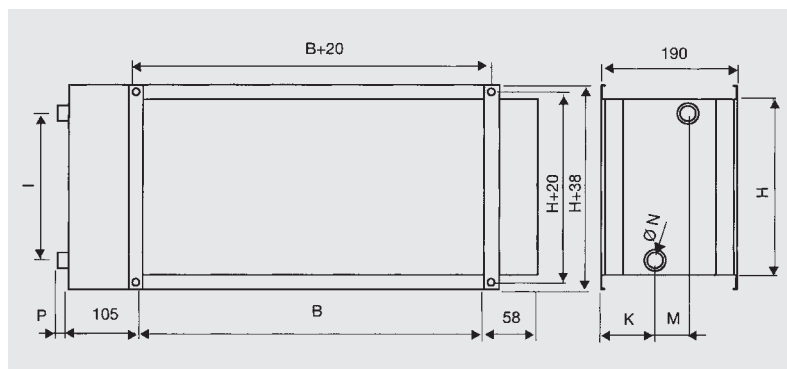
IBE



Distancia mínima entre Ventilador y Batería, 2.5xA (anchura interna de la brida)

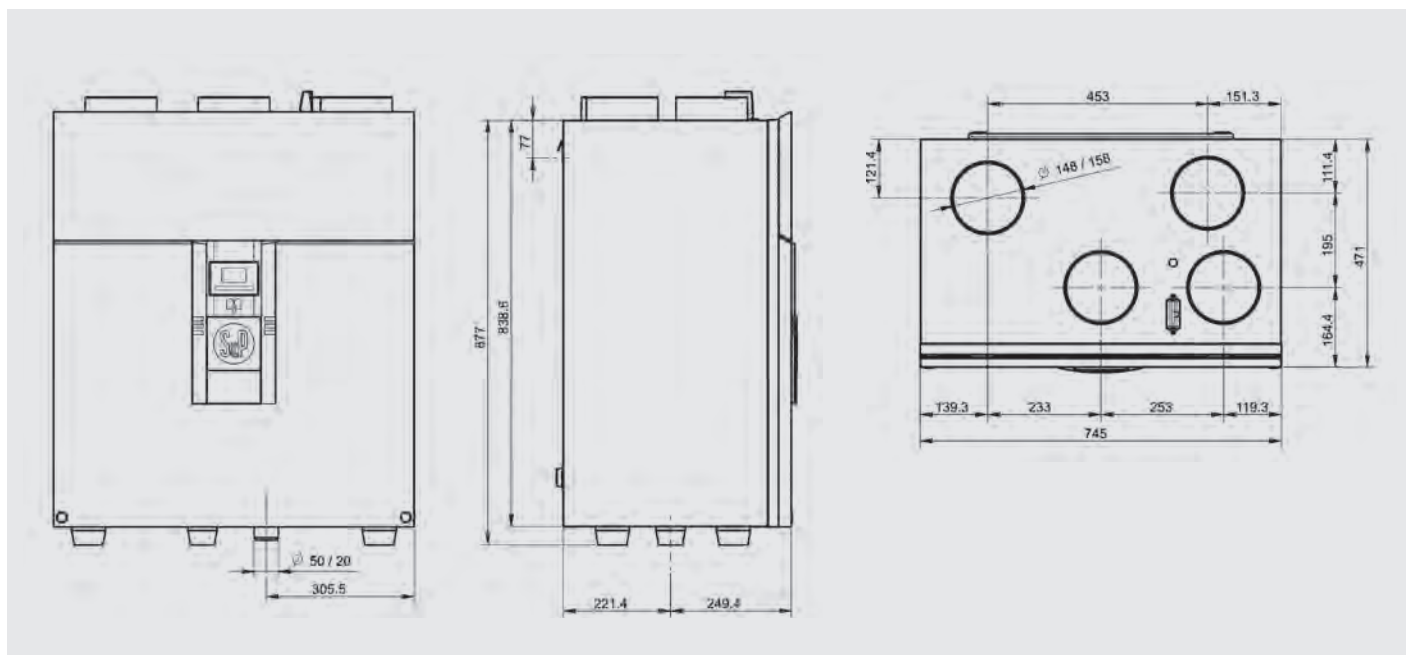
| Modelo | A | B |
|---------|------|-----|
| IBE-200 | 400 | 198 |
| IBE-225 | 500 | 248 |
| IBE-315 | 600 | 348 |
| IBE-355 | 700 | 398 |
| IBE-400 | 800 | 498 |
| IBE-450 | 1000 | 498 |

IBW

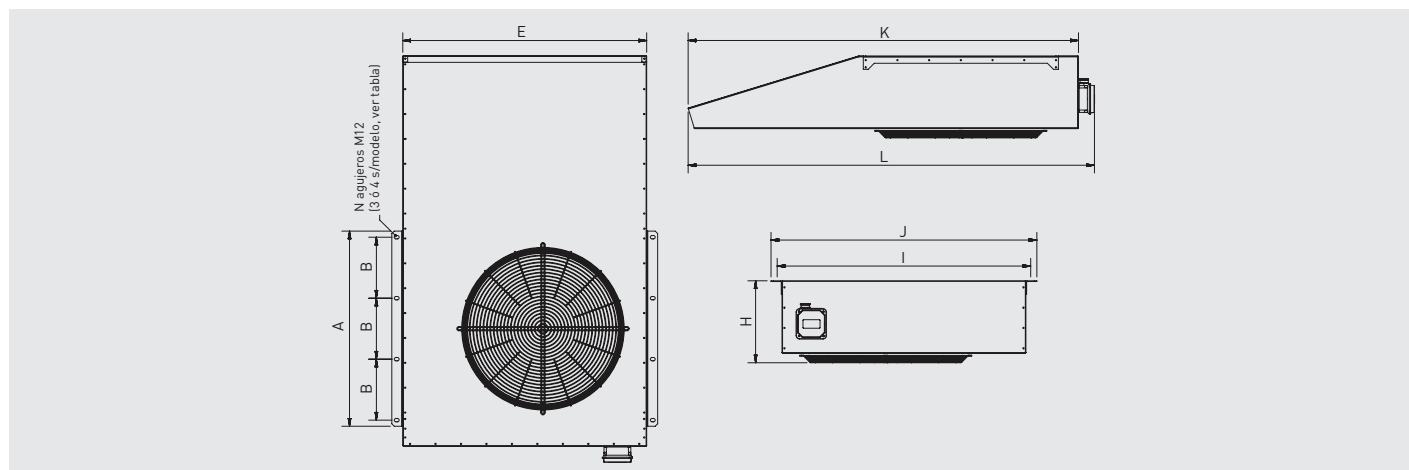


| Modelo | B | H | I | K | M | P |
|---------|------|-----|-----|----|----|----|
| IBW-200 | 400 | 200 | 150 | 84 | 43 | 28 |
| IBW-225 | 500 | 250 | 200 | 62 | 65 | 28 |
| IBW-315 | 600 | 350 | 230 | 84 | 43 | 28 |
| IBW-355 | 700 | 400 | 350 | 66 | 58 | 35 |
| IBW-400 | 800 | 500 | 450 | 82 | 47 | 35 |
| IBW-450 | 1000 | 500 | 450 | 66 | 58 | 35 |

IDEO

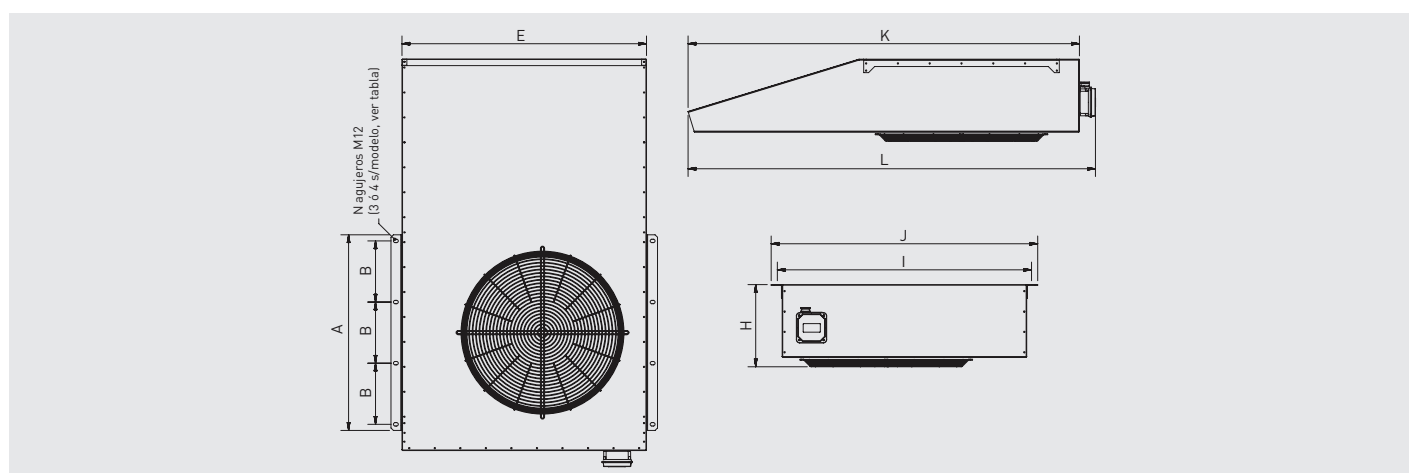


IFFT



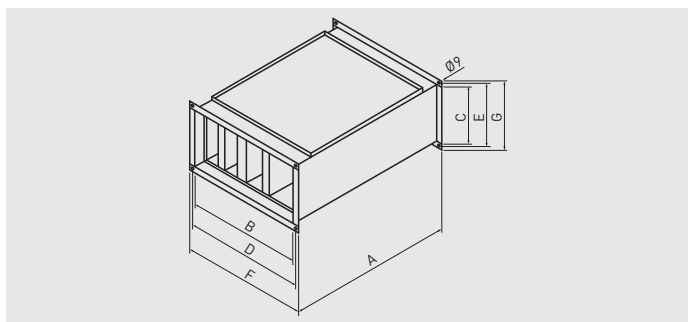
| Modelo | A | B | E | H | I | J | K | L | N |
|--------|-----|-----|------|-----|------|------|------|------|---|
| 50 | 600 | 275 | 800 | 272 | 844 | 890 | 1232 | 1298 | 3 |
| 75 | 800 | 250 | 1000 | 337 | 1044 | 1090 | 1600 | 1666 | 4 |
| 100 | 800 | 250 | 1000 | 337 | 1044 | 1090 | 1600 | 1666 | 4 |

IFHT



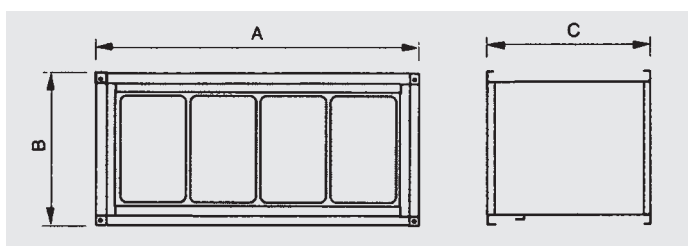
| Modelo | A | B | E | H | I | J | K | L | N |
|--------|-----|-----|------|-----|------|------|------|------|---|
| 50 | 600 | 275 | 800 | 272 | 844 | 890 | 1232 | 1298 | 3 |
| 75 | 800 | 250 | 1000 | 337 | 1044 | 1090 | 1600 | 1666 | 4 |
| 100 | 800 | 250 | 1000 | 337 | 1044 | 1090 | 1600 | 1666 | 4 |

IFL-F



| Modelo | A | B | C | D | E | F | G |
|-----------|-----|------|-----|------|-----|------|-----|
| IFL-200 F | 580 | 400 | 200 | 420 | 220 | 440 | 240 |
| IFL-225 F | 580 | 500 | 250 | 520 | 270 | 540 | 290 |
| IFL-315 F | 580 | 600 | 350 | 620 | 370 | 640 | 390 |
| IFL-355 F | 580 | 700 | 400 | 720 | 420 | 740 | 440 |
| IFL-400 F | 580 | 800 | 500 | 820 | 520 | 840 | 540 |
| IFL-450 F | 580 | 1000 | 500 | 1020 | 520 | 1040 | 540 |

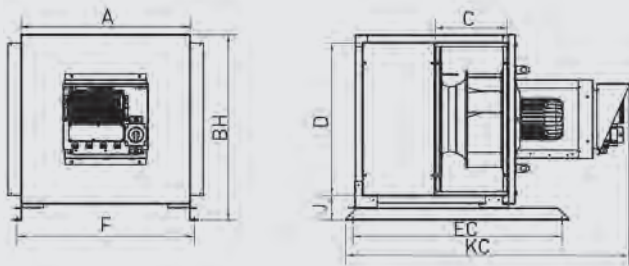
IFL-G4



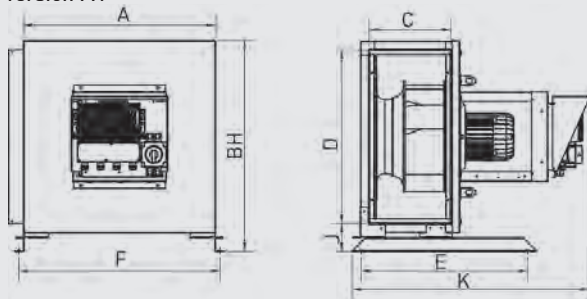
| Modelo | A | B | C |
|------------|------|-----|-----|
| IFL-200 G4 | 440 | 240 | 190 |
| IFL-225 G4 | 540 | 290 | 190 |
| IFL-315 G4 | 640 | 390 | 190 |
| IFL-355 G4 | 740 | 440 | 190 |
| IFL-400 G4 | 840 | 540 | 190 |
| IFL-450 G4 | 1040 | 540 | 190 |

ILHB-ILHT ECOWATT

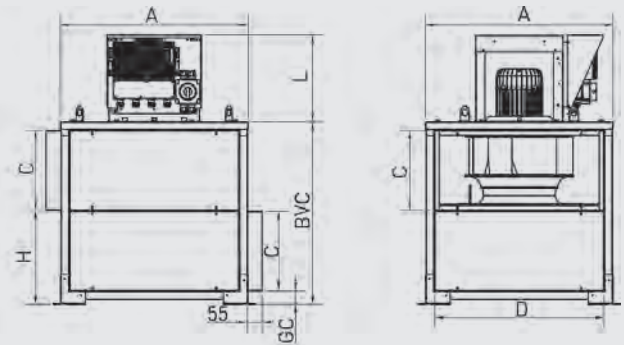
Montaje con el motor en posición horizontal.
Versión CC



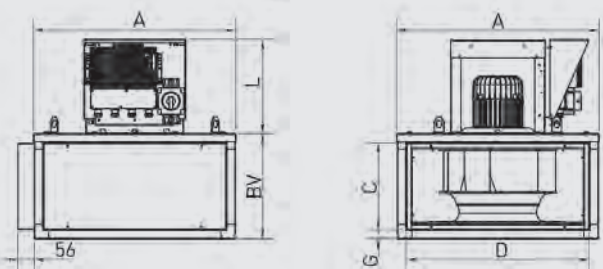
Versión MV



Montaje con el motor en posición vertical.
Versión CC



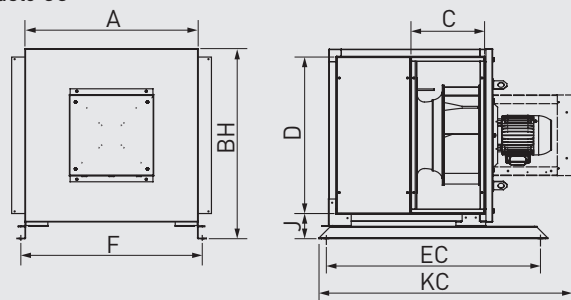
Versión MV



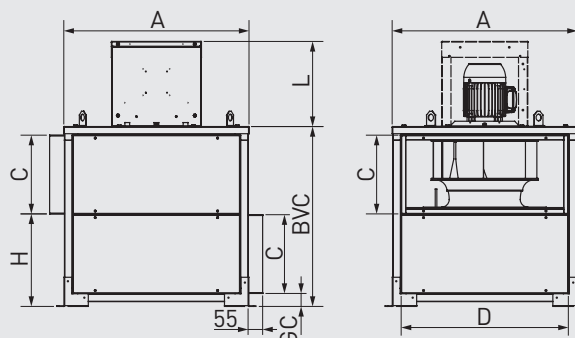
| Modelo | A | BH | BV | BVC | C | D | E | EC | F | G | GC | H | J | K | KC | L |
|--------|------|------|-----|------|-----|------|-----|------|------|----|----|-----|-----|------|------|-----|
| 355 | 627 | 695 | 327 | 645 | 263 | 559 | 606 | 790 | 660 | 31 | 50 | 315 | 102 | 826 | 1103 | 321 |
| 400 | 699 | 767 | 361 | 678 | 297 | 631 | 606 | 864 | 732 | 31 | 50 | 349 | 102 | 860 | 1170 | 321 |
| 450 | 779 | 847 | 392 | 738 | 326 | 711 | 606 | 990 | 812 | 31 | 50 | 378 | 102 | 892 | 1230 | 321 |
| 500 | 858 | 925 | 424 | 784 | 338 | 768 | 700 | 1039 | 890 | 42 | 62 | 402 | 112 | 954 | 1294 | 351 |
| 630 | 1066 | 1133 | 488 | 912 | 403 | 977 | 700 | 1183 | 1098 | 42 | 62 | 466 | 112 | 1018 | 1422 | 351 |
| 710 | 1194 | 1261 | 551 | 1032 | 462 | 1104 | 906 | 1325 | 1226 | 42 | 62 | 526 | 112 | 1070 | 1533 | 446 |

ILHT

Modelo CC



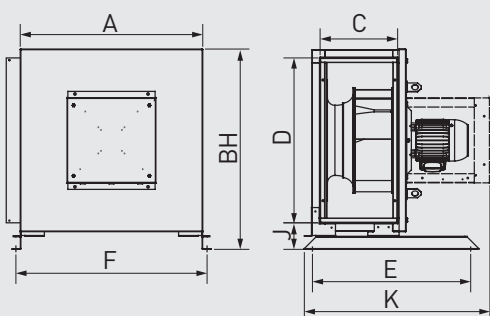
Montaje con el motor en posición horizontal.



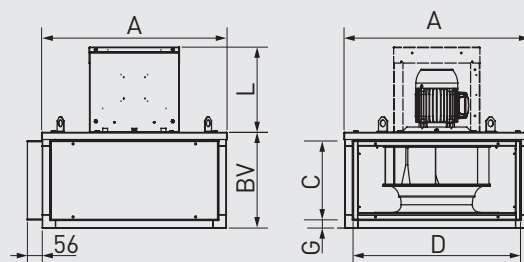
Montaje con el motor en posición vertical.

| Modelo CC | A | BH | BVC | C | D | EC | F | GC | H | J | KC | L |
|-----------|------|------|------|-----|------|------|------|----|-----|-----|------|-----|
| 355 | 627 | 695 | 645 | 263 | 559 | 790 | 660 | 50 | 315 | 102 | 954 | 321 |
| 400 | 699 | 767 | 678 | 297 | 631 | 864 | 732 | 50 | 349 | 102 | 1022 | 321 |
| 450 | 779 | 847 | 738 | 326 | 711 | 990 | 812 | 50 | 378 | 102 | 1081 | 321 |
| 500 | 858 | 925 | 784 | 338 | 768 | 1039 | 890 | 62 | 402 | 112 | 1145 | 351 |
| 560 | 954 | 1021 | 817 | 354 | 864 | 1139 | 986 | 62 | 419 | 112 | 1178 | 351 |
| 630 | 1066 | 1133 | 912 | 403 | 977 | 1183 | 1098 | 62 | 466 | 112 | 1273 | 351 |
| 710 | 1194 | 1261 | 1032 | 462 | 1104 | 1325 | 1226 | 62 | 526 | 112 | 1488 | 446 |
| 800 | 1338 | 1420 | 1084 | 488 | 1248 | 1379 | 1370 | 62 | 552 | 112 | 1540 | 446 |

Modelo MV



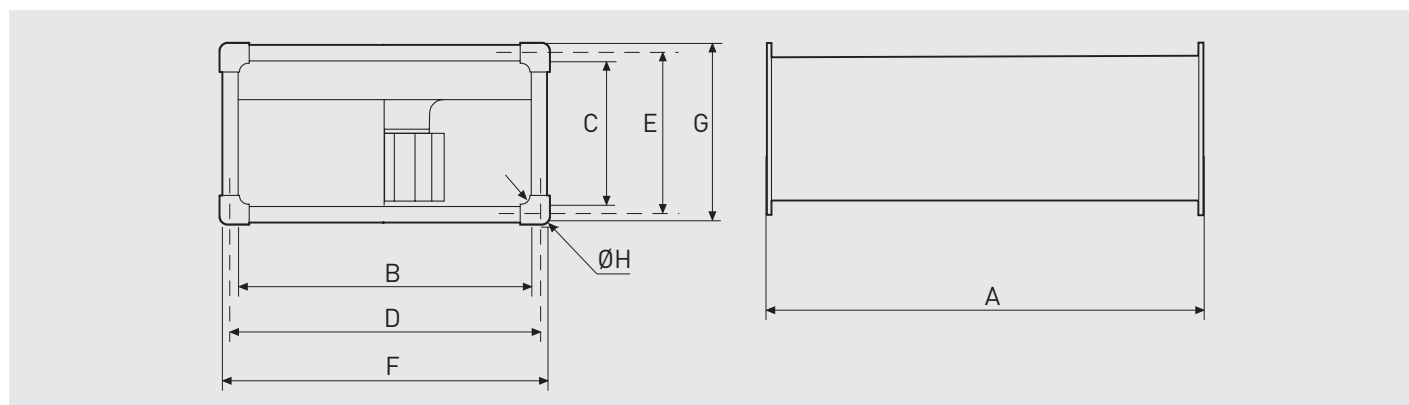
Montaje con el motor en posición horizontal.



Montaje con el motor en posición vertical.

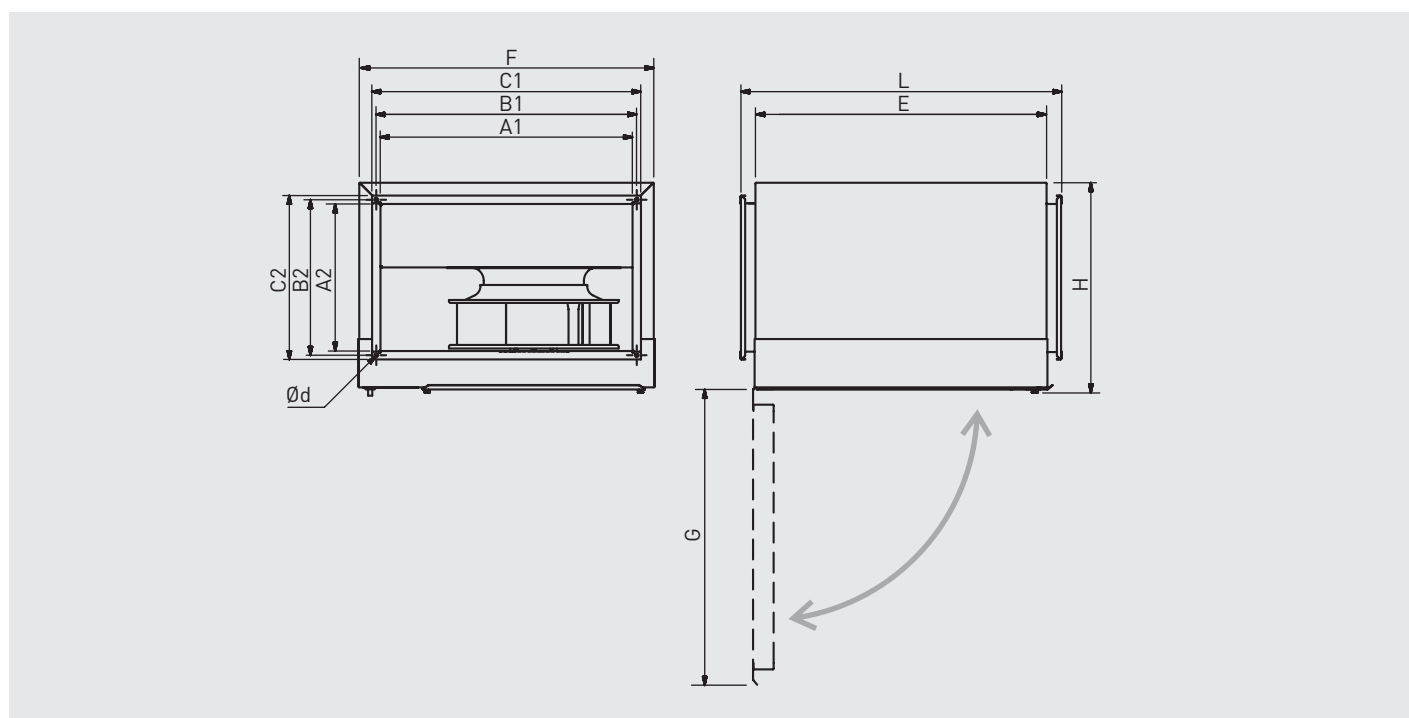
| Modelo MV | A | BH | BV | C | D | E | F | G | J | K | L |
|-----------|------|------|-----|-----|------|-----|------|----|-----|------|-----|
| 355 | 627 | 695 | 327 | 263 | 559 | 606 | 660 | 31 | 102 | 677 | 321 |
| 400 | 699 | 767 | 361 | 297 | 631 | 606 | 732 | 31 | 102 | 711 | 321 |
| 450 | 779 | 847 | 392 | 326 | 711 | 606 | 812 | 31 | 102 | 743 | 321 |
| 500 | 858 | 925 | 424 | 338 | 768 | 700 | 890 | 42 | 112 | 805 | 351 |
| 560 | 954 | 1021 | 441 | 354 | 864 | 700 | 986 | 42 | 112 | 822 | 351 |
| 630 | 1066 | 1133 | 488 | 403 | 977 | 700 | 1098 | 42 | 112 | 869 | 351 |
| 710 | 1194 | 1261 | 551 | 462 | 1104 | 906 | 1226 | 42 | 112 | 994 | 446 |
| 800 | 1338 | 1420 | 574 | 488 | 1248 | 906 | 1370 | 42 | 112 | 1050 | 446 |

ILT ATEX



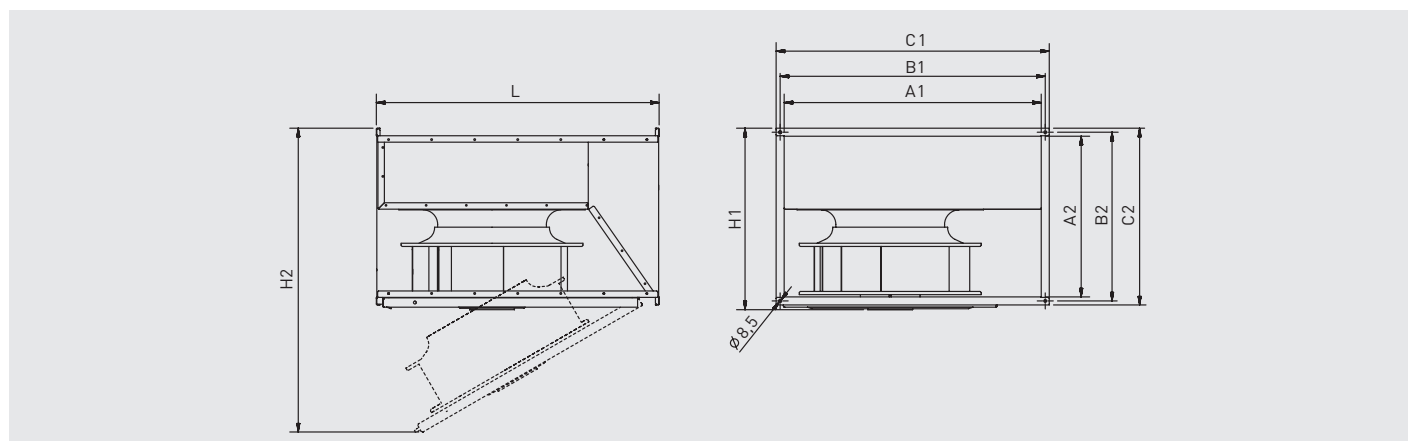
| Modelo | A | B | C | D | E | F | G | Ø H |
|--------|-----|-----|-----|-----|-----|-----|-----|-----|
| 225 | 535 | 500 | 248 | 520 | 270 | 540 | 290 | 9 |
| 250 | 565 | 500 | 298 | 520 | 320 | 540 | 340 | 9 |
| 285 | 645 | 600 | 298 | 620 | 320 | 640 | 340 | 9 |
| 315 | 725 | 600 | 348 | 620 | 370 | 640 | 390 | 9 |

IRAB-N / IRAT-N



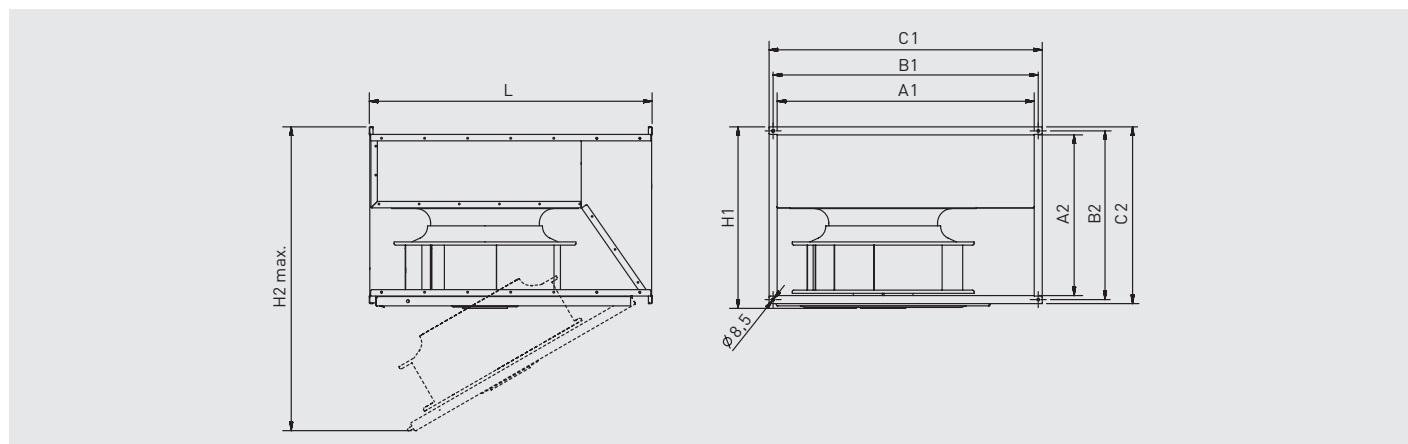
| Modelo | A1 | A2 | B1 | B2 | C1 | C2 | d | E | F | G | H | L |
|--------|------|-----|------|-----|------|-----|---|------|------|-----|-----|------|
| 315 | 600 | 350 | 620 | 370 | 640 | 390 | 9 | 697 | 705 | 704 | 500 | 765 |
| 355 | 700 | 400 | 720 | 420 | 740 | 440 | 9 | 770 | 804 | 777 | 550 | 840 |
| 400 | 800 | 500 | 820 | 520 | 850 | 550 | 9 | 861 | 905 | 868 | 647 | 930 |
| 450 | 1000 | 500 | 1020 | 520 | 1050 | 550 | 9 | 1961 | 1104 | 968 | 655 | 1030 |

IRB-IRT



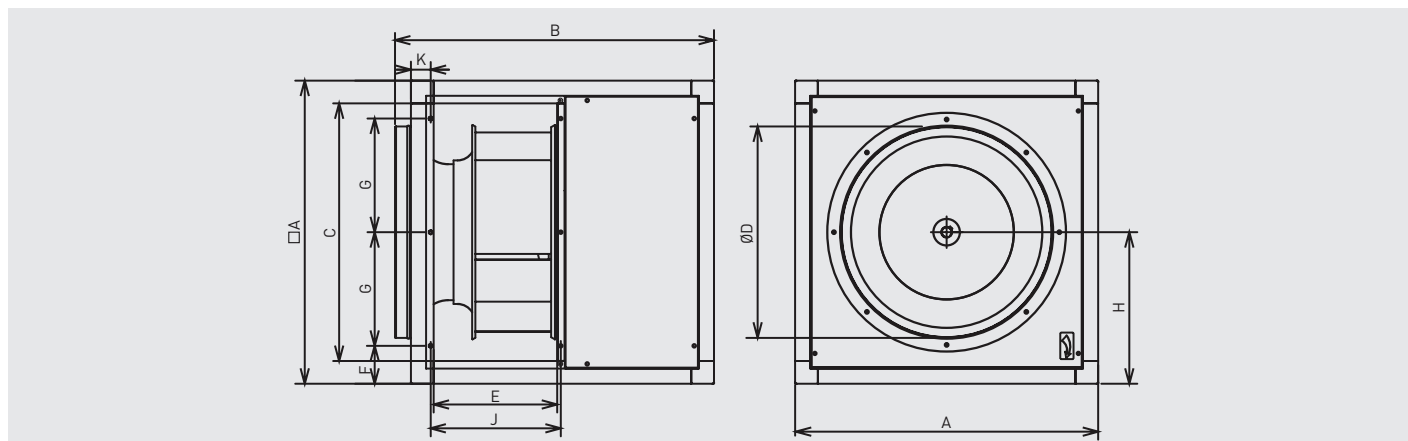
| Modelo | A1 | A2 | B1 | B2 | C1 | C2 | H1 | H2 | L |
|--------|------|-----|------|-----|------|-----|-----|------|-----|
| 180 | 300 | 150 | 320 | 170 | 340 | 190 | 200 | 480 | 375 |
| 200 | 400 | 200 | 420 | 220 | 440 | 240 | 250 | 650 | 500 |
| 225 | 500 | 250 | 520 | 270 | 540 | 290 | 300 | 730 | 530 |
| 315 | 600 | 350 | 620 | 370 | 640 | 390 | 405 | 1020 | 720 |
| 355 | 700 | 400 | 720 | 420 | 740 | 440 | 460 | 1135 | 790 |
| 400 | 800 | 500 | 820 | 520 | 845 | 545 | 565 | 1330 | 880 |
| 450 | 1000 | 500 | 1020 | 520 | 1045 | 545 | 565 | 1430 | 980 |

IRB/T ECOWATT



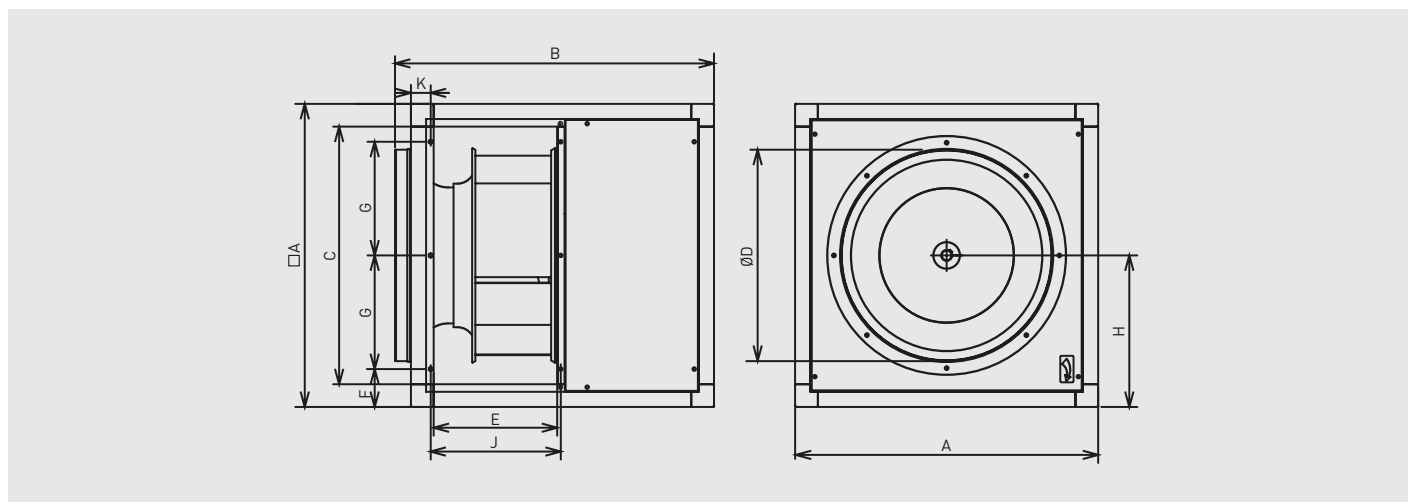
| Modelo | A1 | A2 | B1 | B2 | C1 | C2 | H1 | H2 max. | L |
|--------|-----|-----|-----|-----|-----|-----|-----|---------|-----|
| 180 | 300 | 150 | 320 | 170 | 340 | 190 | 205 | 480 | 375 |
| 200 | 400 | 200 | 420 | 220 | 440 | 240 | 255 | 650 | 500 |
| 225 | 500 | 250 | 520 | 270 | 540 | 290 | 305 | 730 | 530 |
| 315A | 600 | 350 | 620 | 370 | 640 | 390 | 405 | 1020 | 720 |
| 315B | 600 | 350 | 620 | 370 | 640 | 390 | 430 | 1020 | 720 |
| 315 | 600 | 350 | 620 | 370 | 640 | 390 | 430 | 1020 | 720 |
| 355 | 700 | 400 | 720 | 420 | 740 | 440 | 480 | 1135 | 790 |
| 400 | 800 | 500 | 820 | 520 | 850 | 550 | 585 | 1330 | 880 |
| 400B | 800 | 500 | 820 | 520 | 850 | 550 | 629 | 1330 | 880 |

KABB-KABT



| Modelo | A | B | C | D | E | F | G | H | J | K |
|------------------|-----|-----|-----|-----|-----|-----|-------|-----|-------|------|
| KABB/4-3000/315 | 505 | 547 | 405 | 315 | 204 | 100 | 152,5 | 253 | 225,5 | 40 |
| KABB/4-4000/355 | 550 | 592 | 450 | 355 | 230 | 100 | 175 | 275 | 248 | 40,5 |
| KABT/4-3000/315 | 505 | 547 | 405 | 315 | 204 | 100 | 152,5 | 253 | 225,5 | 40 |
| KABT/4-4000/355 | 550 | 592 | 450 | 355 | 230 | 100 | 175 | 275 | 248 | 40,5 |
| KABT/4-6000/450 | 630 | 675 | 530 | 450 | 248 | 100 | 215 | 315 | 269 | 40 |
| KABT/4-9000/500 | 710 | 753 | 590 | 500 | 276 | 100 | 255 | 355 | 293 | 51,5 |
| KABT/4-12000/560 | 800 | 844 | 680 | 560 | 326 | 100 | 300 | 400 | 343,5 | 51,5 |

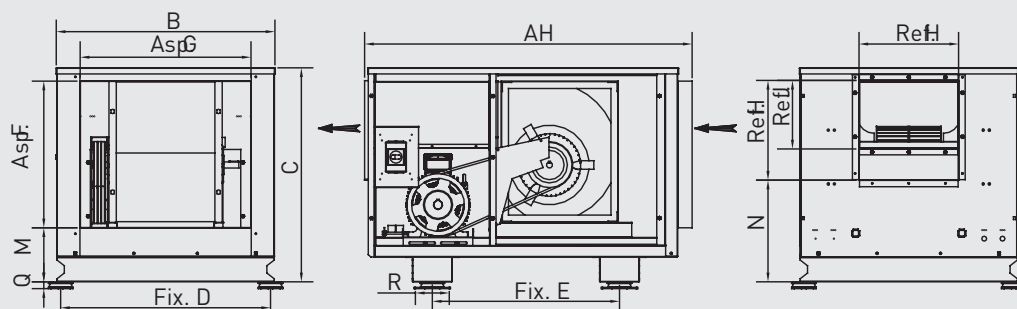
KABB-KABT ECOWATT



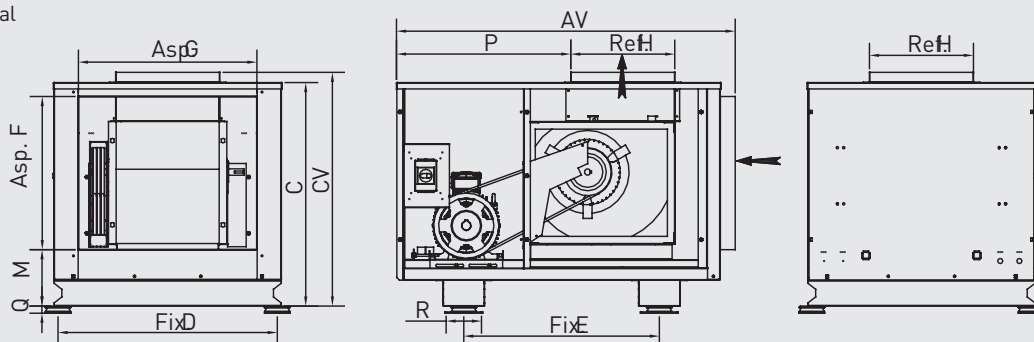
| Modelo | A | B | C | D | E | F | G | H | J | K |
|----------------|-----|-----|-----|-----|-----|-----|-------|-----|-------|------|
| KABB-3000/315 | 505 | 547 | 405 | 315 | 204 | 100 | 152,5 | 253 | 225,5 | 40 |
| KABB-4000/355 | 550 | 592 | 450 | 355 | 230 | 100 | 175 | 275 | 248 | 40,5 |
| KABB-6000/450 | 630 | 675 | 530 | 450 | 248 | 100 | 215 | 315 | 269 | 40 |
| KABT-9000/500 | 710 | 753 | 590 | 500 | 276 | 100 | 255 | 355 | 293 | 51,5 |
| KABT-12000/560 | 800 | 844 | 680 | 560 | 326 | 100 | 300 | 400 | 343,5 | 51,5 |

KCTR

Configuración horizontal

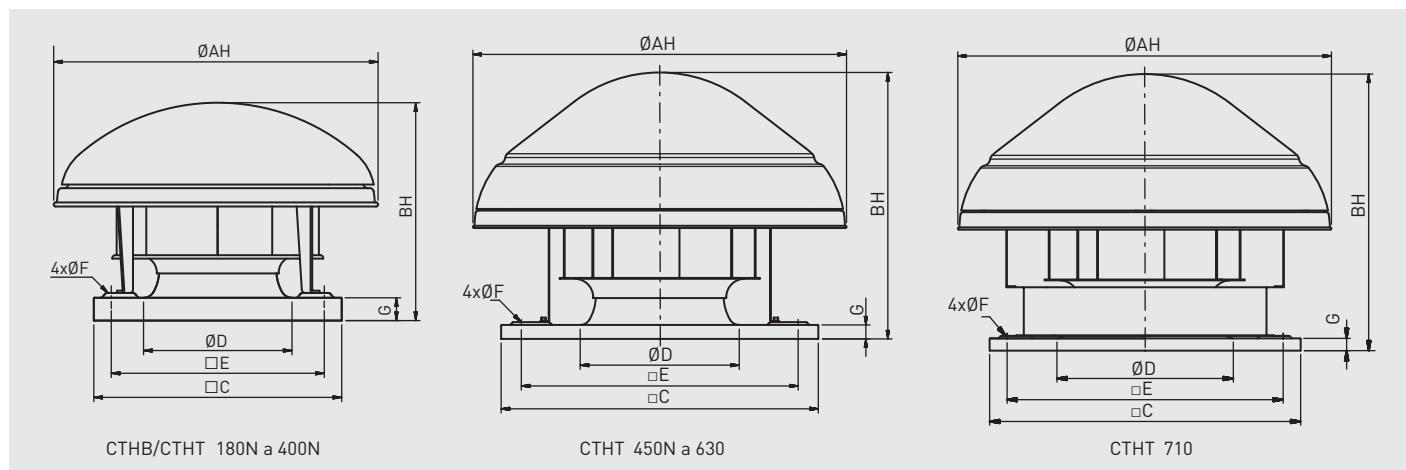


Configuración vertical

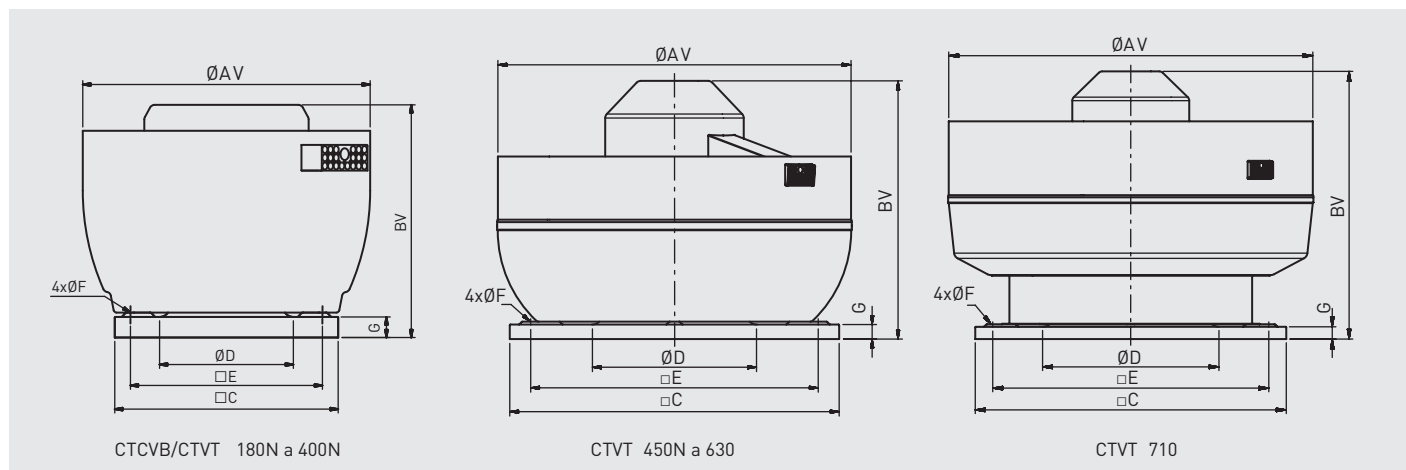


| Modelo | AH | AV | B | C | CV | D | E | F | G | H | J | M | N | P | Q | R | Max. IEC Motor (tamaño) |
|--------|------|------|------|------|------|------|------|-----|------|-----|-----|-----|-----|-------|----|-----|-------------------------|
| 250 | 1130 | 1118 | 727 | 784 | 824 | 679 | 766 | 500 | 600 | 324 | 209 | 221 | 411 | 569 | 28 | 125 | 132 |
| 315 | 1360 | 1329 | 896 | 876 | 916 | 860 | 767 | 600 | 700 | 408 | 281 | 221 | 416 | 683,5 | 28 | 125 | 132 |
| 355 | 1490 | 1457 | 1006 | 990 | 1030 | 966 | 897 | 700 | 800 | 457 | 321 | 221 | 476 | 744 | 28 | 125 | 160 |
| 400 | 1594 | 1565 | 1120 | 1036 | 1078 | 1071 | 926 | 800 | 900 | 509 | 353 | 184 | 471 | 753 | 28 | 125 | 160 |
| 450 | 1761 | 1734 | 1191 | 1119 | 1162 | 1143 | 1130 | 900 | 1000 | 570 | 381 | 184 | 486 | 825 | 39 | 182 | 180 |
| 500 | 1919 | 1891 | 1387 | 1222 | 1264 | 1340 | 1180 | 900 | 1000 | 640 | 467 | 249 | 521 | 964 | 39 | 182 | 200 |

MAX-TEMP CTHB/CTHT - CTVB/CTVT

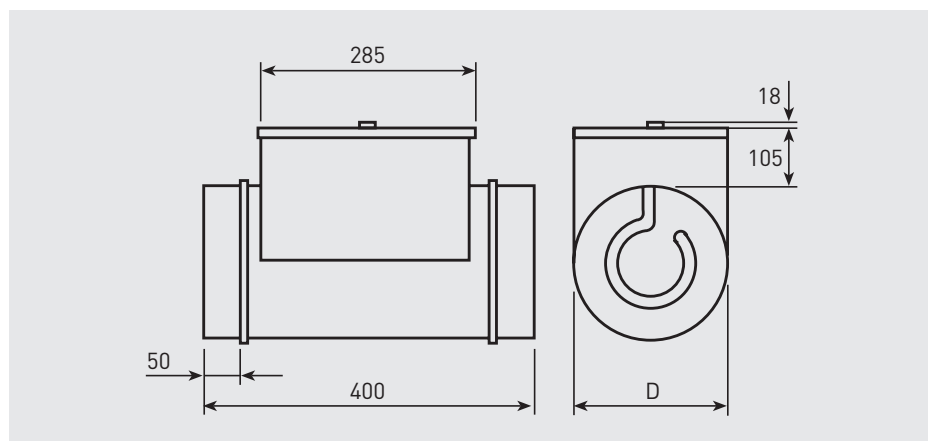


| CTHB/CTHT | ØAH | BH | □C | ØD | □E | ØF | G |
|-----------|------|------|------|-----|-----|----|----|
| 180N | 415 | 296 | 300 | 212 | 245 | 10 | 35 |
| 200N | 570 | 345 | 435 | 234 | 330 | 12 | 40 |
| 225N | 570 | 382 | 435 | 261 | 330 | 12 | 40 |
| 250N | 778 | 432 | 560 | 289 | 450 | 12 | 40 |
| 315N | 778 | 472 | 560 | 326 | 450 | 12 | 40 |
| 400N | 850 | 540 | 630 | 420 | 535 | 12 | 40 |
| 450N | 962 | 713 | 710 | 457 | 590 | 14 | 40 |
| 500N | 1214 | 824 | 905 | 507 | 750 | 14 | 50 |
| 560N | 1214 | 874 | 905 | 569 | 750 | 14 | 50 |
| 630N | 1336 | 1029 | 1100 | 639 | 840 | 14 | 50 |
| 630H | 1336 | 1044 | 1100 | 651 | 840 | 14 | 50 |
| 710N | 1336 | 1127 | 1100 | 720 | 840 | 14 | 50 |
| 710H | 1336 | 1139 | 1100 | 733 | 840 | 14 | 50 |



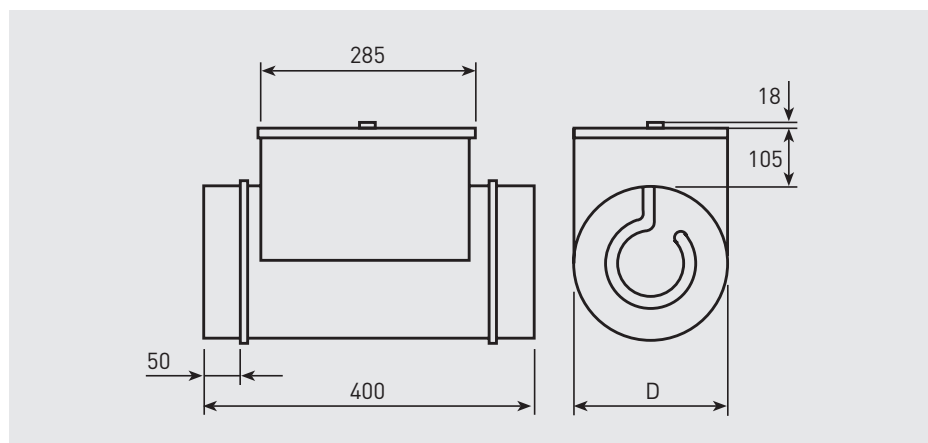
| CTVB/CTVT | AV | BV | □C | ØD | □E | ØF | G |
|-----------|------|------|------|-----|-----|----|----|
| 180N | 431 | 378 | 300 | 212 | 245 | 10 | 35 |
| 200N | 560 | 415 | 435 | 234 | 330 | 12 | 40 |
| 225N | 560 | 453 | 435 | 261 | 330 | 12 | 40 |
| 250N | 750 | 504 | 560 | 289 | 450 | 12 | 40 |
| 315N | 750 | 545 | 560 | 326 | 450 | 12 | 40 |
| 400N | 857 | 605 | 630 | 420 | 535 | 12 | 40 |
| 450N | 950 | 741 | 710 | 457 | 590 | 14 | 40 |
| 500N | 1216 | 832 | 905 | 507 | 750 | 14 | 50 |
| 560N | 1216 | 832 | 905 | 569 | 750 | 14 | 50 |
| 630N | 1327 | 1053 | 1100 | 639 | 840 | 14 | 50 |
| 630H | 1332 | 1067 | 1100 | 651 | 840 | 14 | 50 |
| 710N | 1485 | 1161 | 1100 | 720 | 840 | 14 | 50 |
| 710H | 1485 | 1161 | 1100 | 733 | 840 | 14 | 50 |

MBE



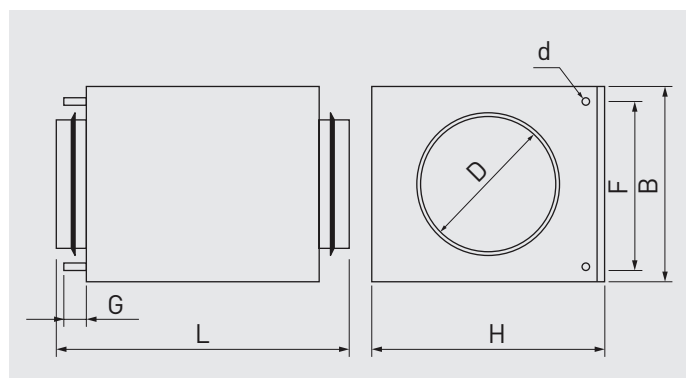
| Modelo | D |
|---------|-----|
| MBE-100 | 100 |
| MBE-125 | 125 |
| MBE-160 | 160 |
| MBE-200 | 200 |
| MBE-250 | 250 |
| MBE-315 | 315 |
| MBE-355 | 355 |
| MBE-400 | 400 |
| MBE-500 | 500 |

MBE-R



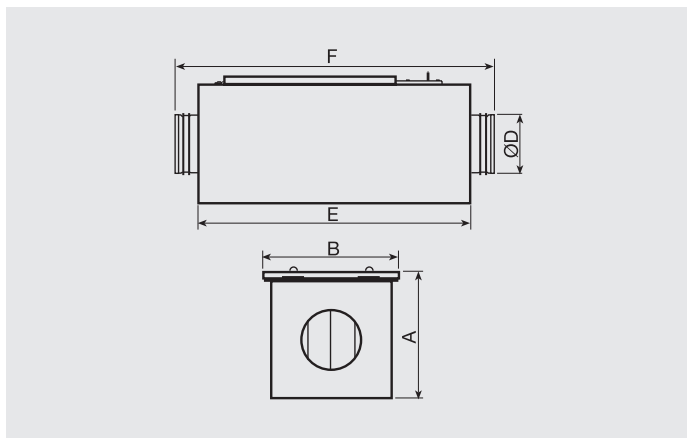
| Modelo | D |
|---------|-----|
| MBE-100 | 100 |
| MBE-125 | 125 |
| MBE-160 | 160 |
| MBE-200 | 200 |
| MBE-250 | 250 |
| MBE-315 | 315 |
| MBE-355 | 355 |
| MBE-400 | 400 |
| MBE-500 | 500 |

MBW



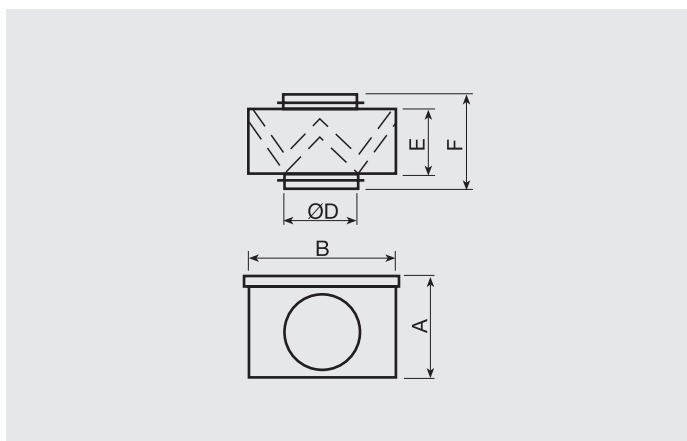
| Modelo | D | B | H | d | F | G | L |
|---------|-----|-----|-----|----|-----|----|-----|
| MBW-100 | 100 | 183 | 225 | 10 | 140 | 40 | 380 |
| MBW-125 | 125 | 183 | 225 | 10 | 140 | 40 | 380 |
| MBW-160 | 160 | 258 | 305 | 10 | 215 | 40 | 380 |
| MBW-200 | 200 | 258 | 305 | 10 | 215 | 40 | 380 |
| MBW-250 | 250 | 333 | 385 | 22 | 290 | 40 | 380 |
| MBW-315 | 315 | 408 | 460 | 22 | 365 | 40 | 380 |
| MBW-355 | 355 | 479 | 534 | 22 | 400 | 65 | 430 |
| MBW-400 | 400 | 479 | 534 | 22 | 400 | 65 | 430 |
| MBW-450 | 450 | 529 | 685 | 22 | 425 | 65 | 465 |
| MBW-500 | 500 | 529 | 685 | 22 | 425 | 65 | 465 |

MFL-F



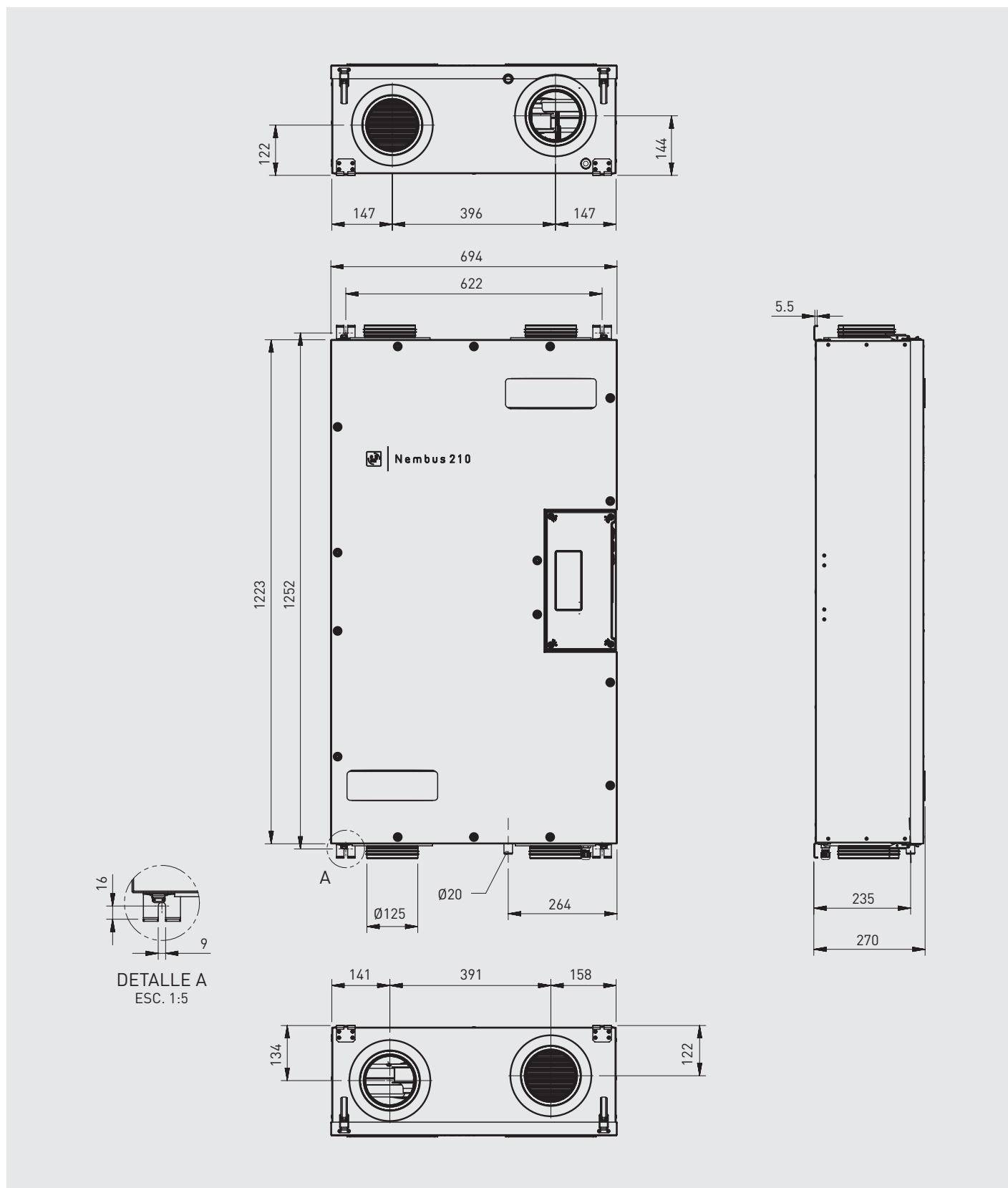
| Modelo | A | B | D Ø cond. | E | F |
|-----------|-----|-----|-----------|-----|-----|
| MFL-100 F | 213 | 220 | 100 | 450 | 522 |
| MFL-125 F | 213 | 220 | 125 | 450 | 522 |
| MFL-150 F | 213 | 220 | 150 | 450 | 522 |
| MFL-160 F | 213 | 220 | 160 | 450 | 522 |
| MFL-200 F | 258 | 265 | 200 | 450 | 530 |
| MFL-250 F | 308 | 315 | 250 | 500 | 584 |
| MFL-315 F | 358 | 365 | 315 | 550 | 634 |
| MFL-355 F | 458 | 465 | 355 | 650 | 782 |
| MFL-400 F | 458 | 465 | 400 | 650 | 782 |
| MFL-450 F | 548 | 545 | 450 | 700 | 850 |
| MFL-500 F | 548 | 545 | 500 | 700 | 850 |
| MFL-560 F | 603 | 600 | 560 | 750 | 910 |
| MFL-630 F | 663 | 660 | 630 | 800 | 960 |

MFL-G4

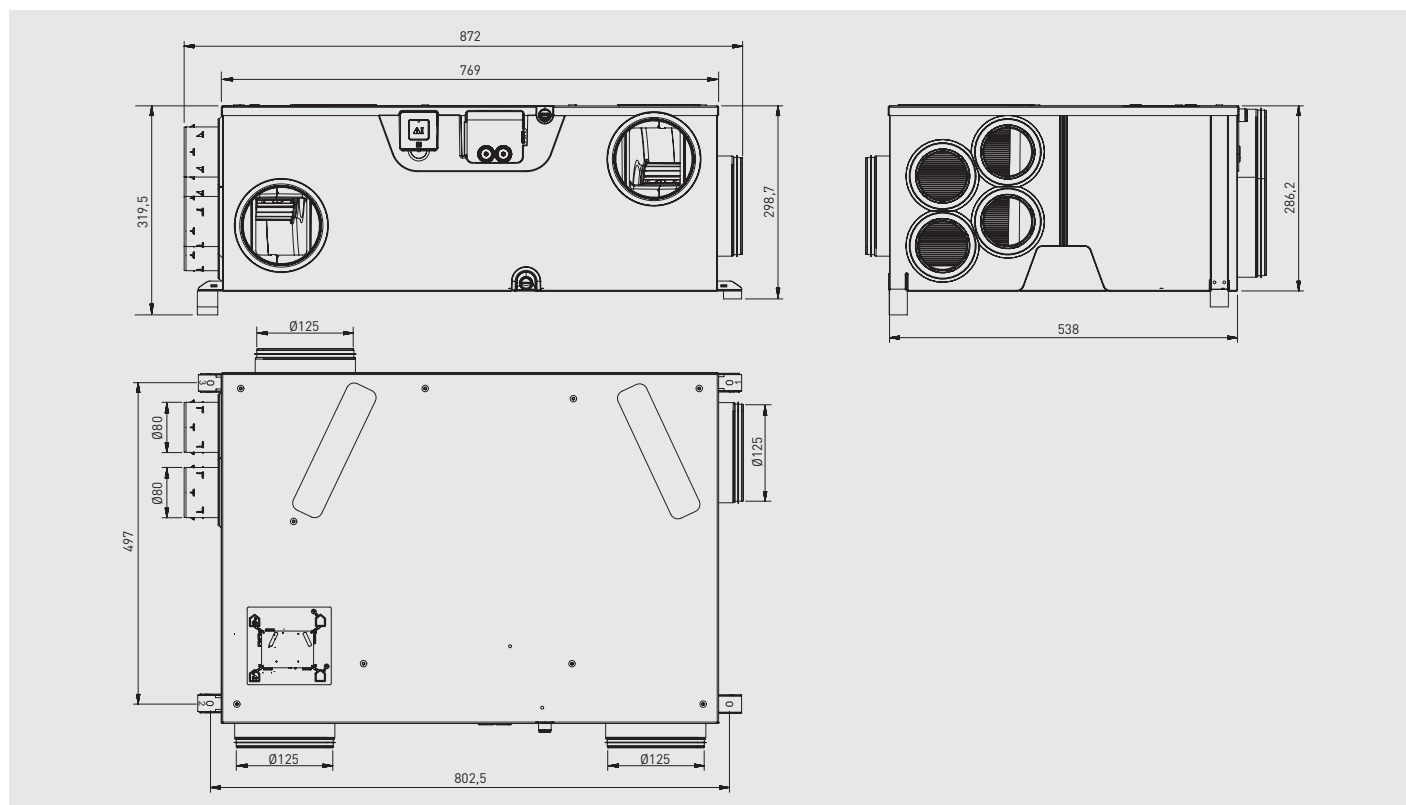


| Modelo | A | B | D | E | F |
|------------|-----|-----|-----|-----|-----|
| MFL-100 G4 | 206 | 229 | 100 | 154 | 212 |
| MFL-125 G4 | 206 | 229 | 125 | 154 | 218 |
| MFL-150 G4 | 206 | 229 | 150 | 154 | 218 |
| MFL-160 G4 | 206 | 229 | 160 | 154 | 218 |
| MFL-200 G4 | 246 | 269 | 200 | 154 | 218 |
| MFL-250 G4 | 296 | 319 | 250 | 154 | 248 |
| MFL-315 G4 | 346 | 369 | 315 | 154 | 248 |
| MFL-355 G4 | 446 | 469 | 355 | 154 | 248 |
| MFL-400 G4 | 446 | 469 | 400 | 154 | 248 |
| MFL-450 G4 | 546 | 569 | 450 | 154 | 248 |
| MFL-500 G4 | 546 | 569 | 500 | 154 | 248 |
| MFL-560 G4 | 606 | 629 | 560 | 154 | 248 |
| MFL-630 G4 | 666 | 689 | 630 | 154 | 248 |

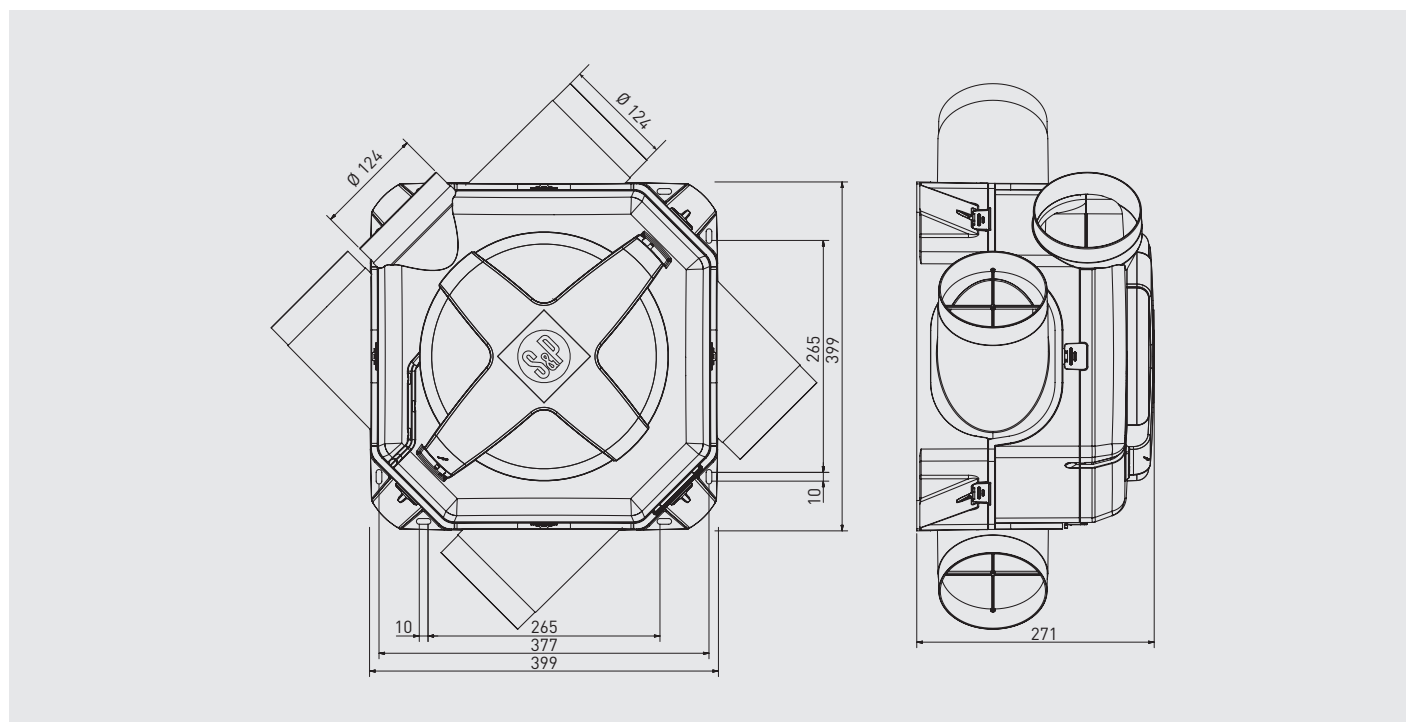
NEMBUS



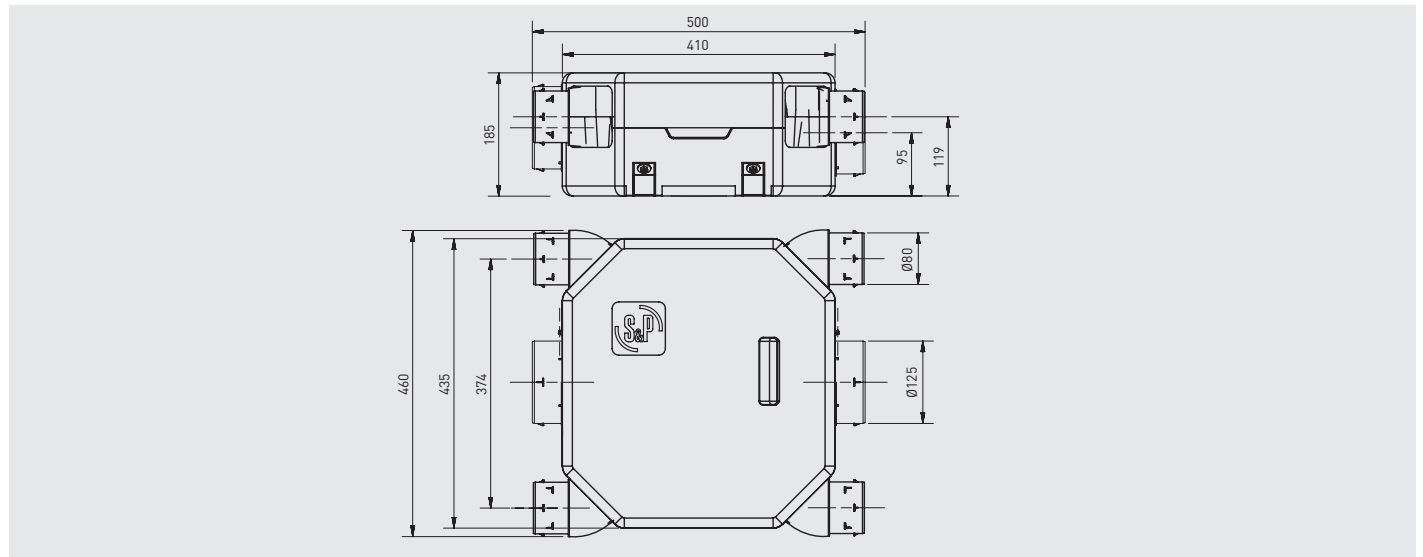
ORKA



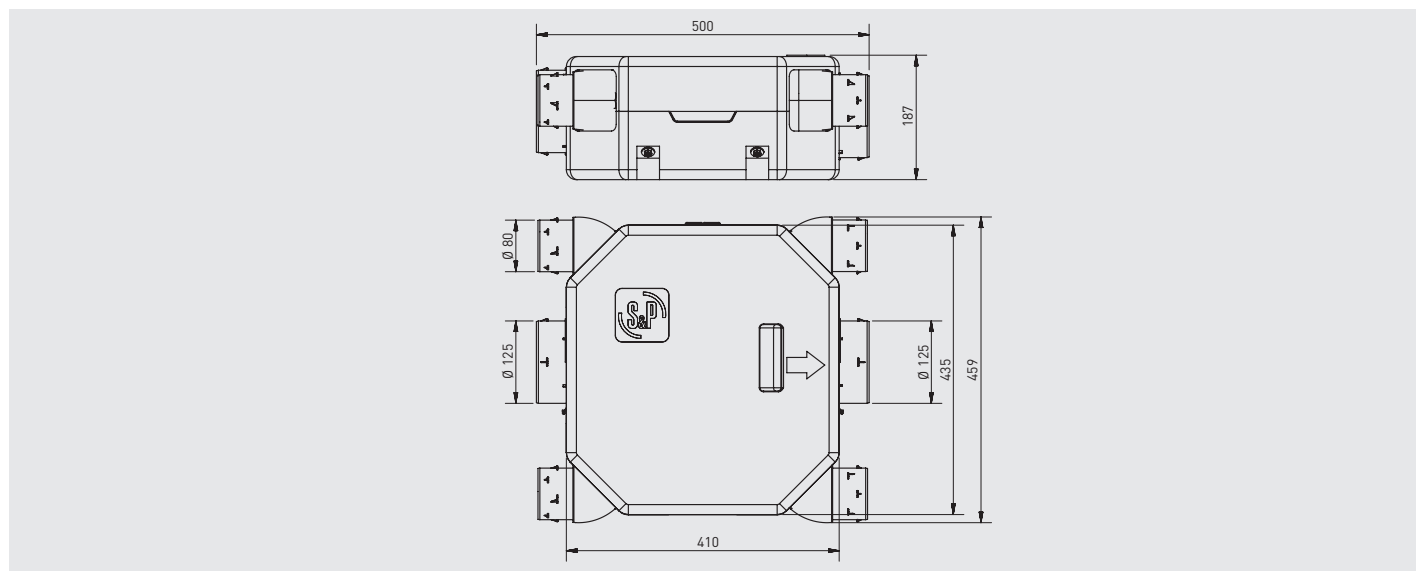
OZE0-E ECOWATT 2 y OZE0 E ECOWATT CONTROL C02



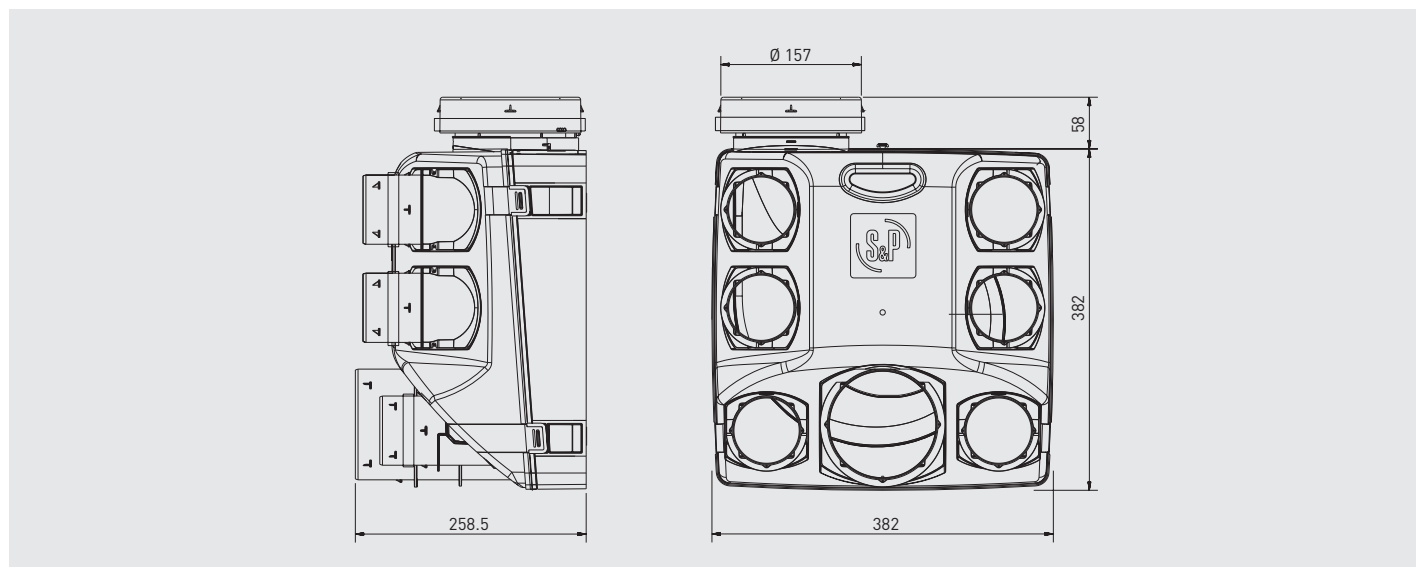
OZEO FLAT AUTO 2V



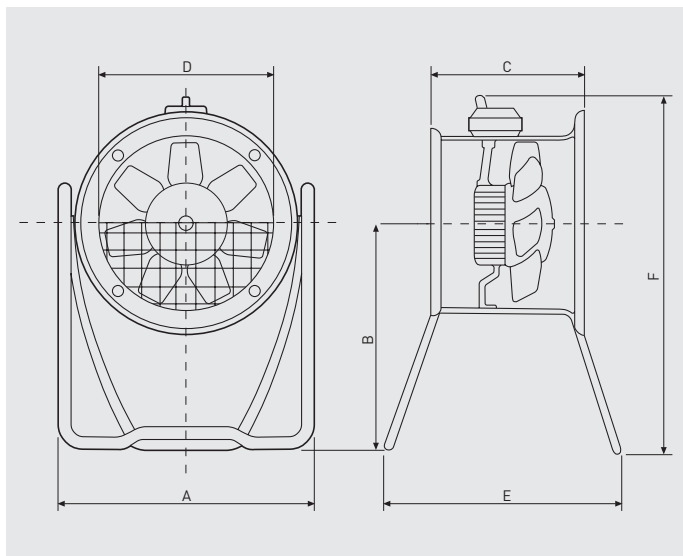
OZEO FLAT H 2 y OZEO FLAT H ECOWATT



OZEO H ST 2 y OZEO H ECOWATT 2

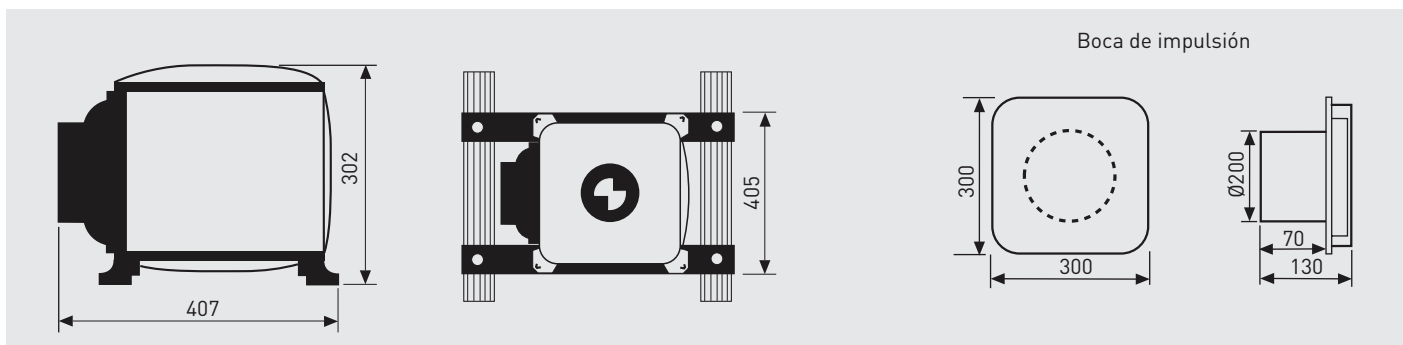


PBB/PBT

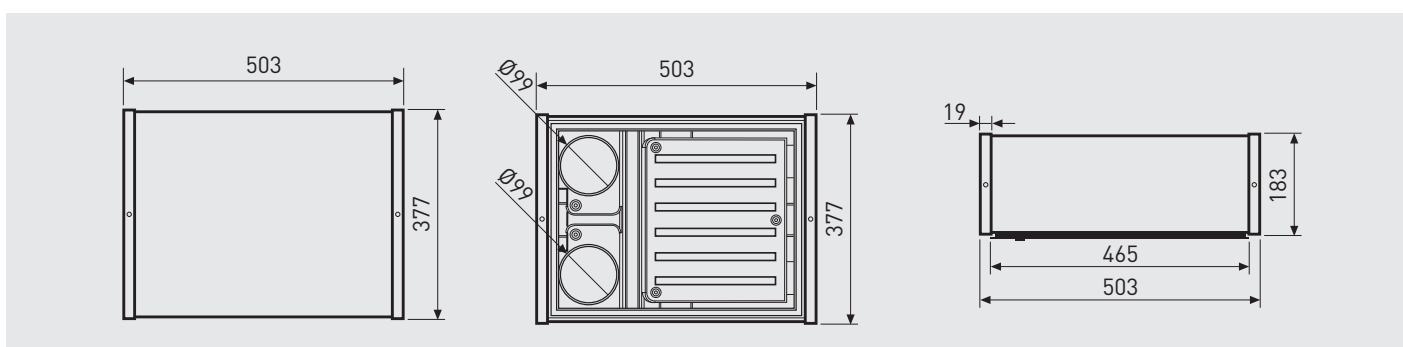


| Modelo | A | B | C | ØD | E | F |
|--------|-----|-----|-----|-----|-----|------|
| 315 | 439 | 400 | 211 | 315 | 470 | 642 |
| 400 | 600 | 557 | 227 | 400 | 560 | 841 |
| 450 | 650 | 616 | 237 | 450 | 560 | 925 |
| 560 | 780 | 473 | 307 | 560 | 500 | 837 |
| 630 | 890 | 750 | 307 | 630 | 840 | 1149 |

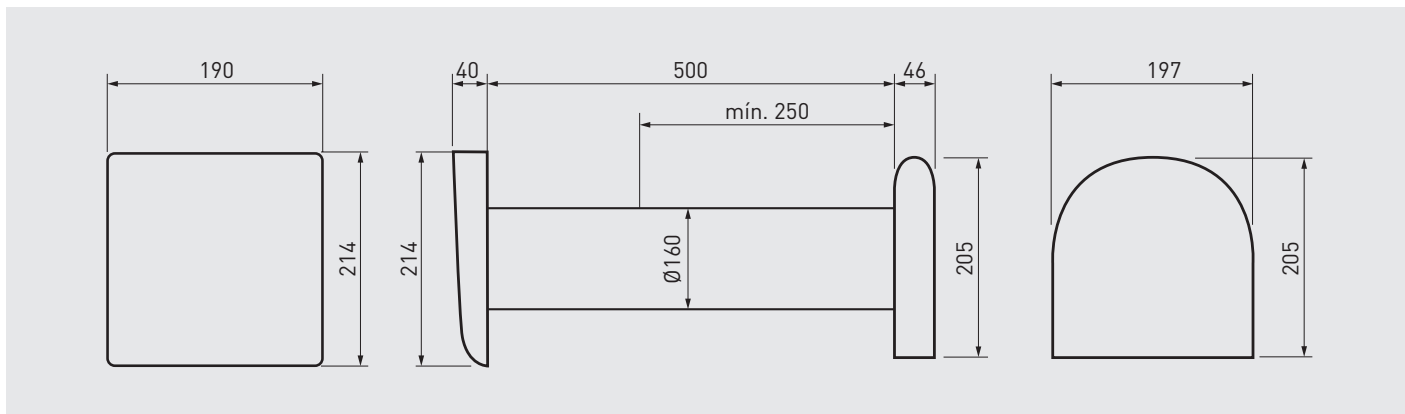
PIV



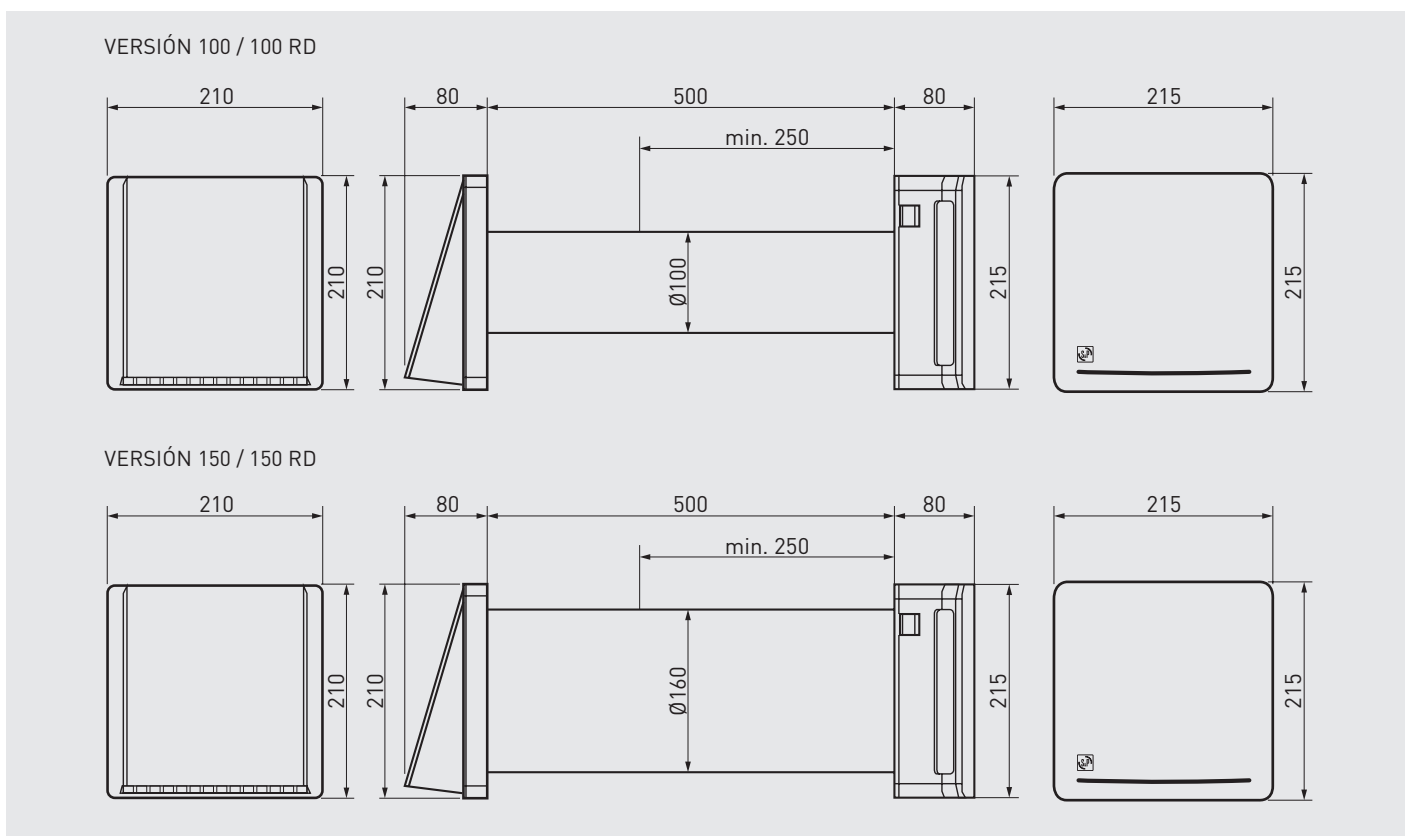
PIV W



PULSE

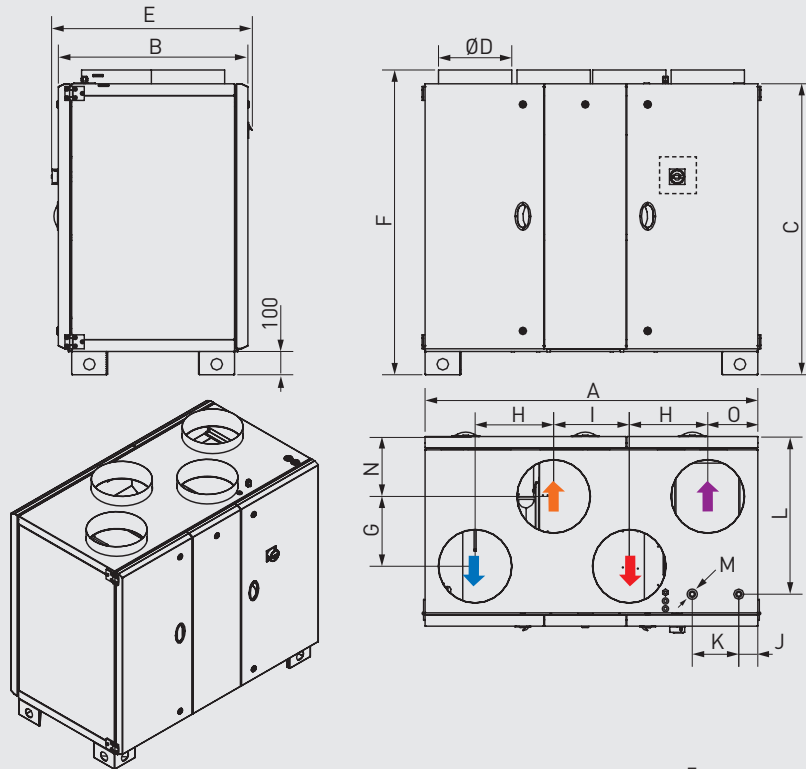


RESPIRO

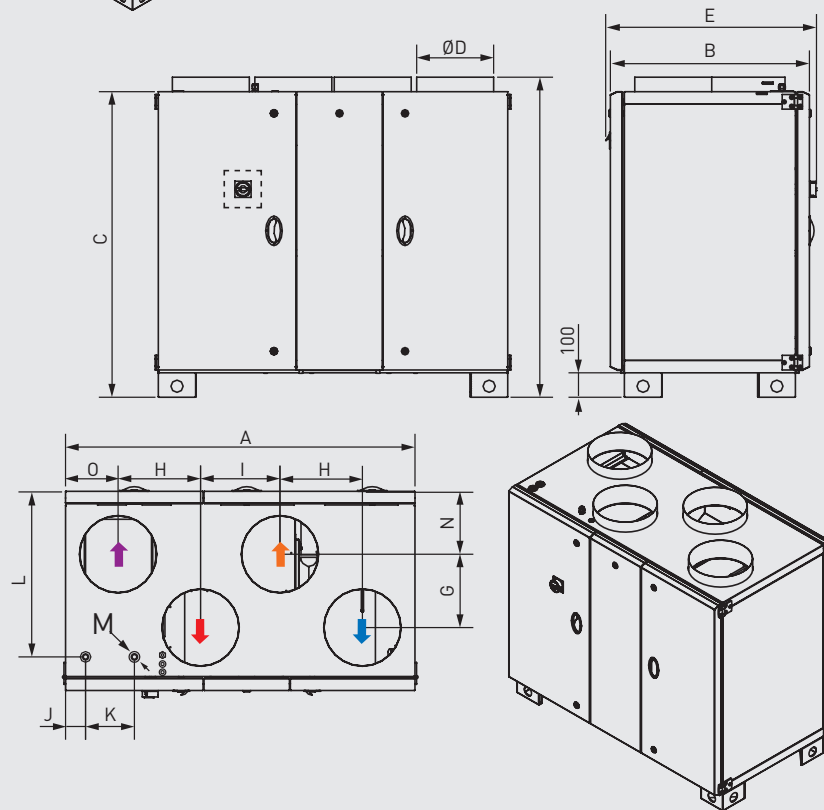


RHE

RHE VDR 700 a 3500
Descarga vertical
Conexiones lado interior
a la derecha



RHE VDL 700 a 3500
Descarga vertical
Conexiones lado interior
a la izquierda

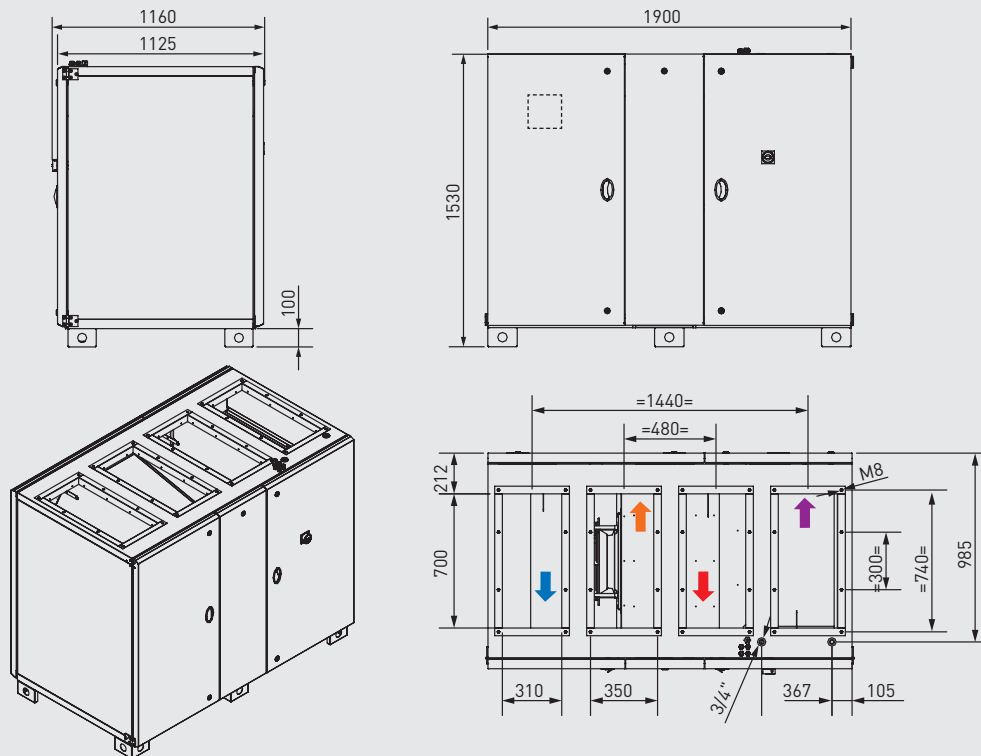


- Conexión del conducto de aire exterior
- Conexión del conducto de aire de impulsión
- Conexión del conducto del aire de extracción
- Conexión del conducto de aire de expulsión
- Posición control

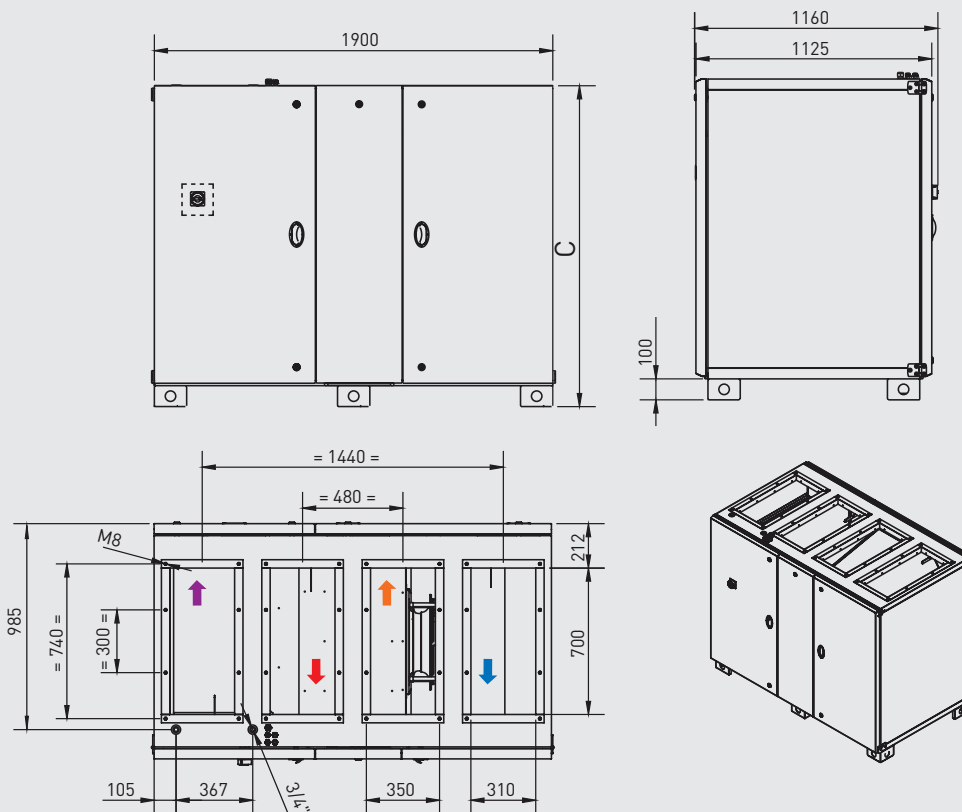
| Modelo | A | B | C | ØD | E | F | G | H | I | J | K | L | M | N | O | Peso (kg) |
|------------------------|------|------|------|-----|------|------|-----|-----|-----|-----|-----|-----|------|-----|-----|-----------|
| RHE 700/1300 VD | 1285 | 715 | 1125 | 250 | 750 | 1185 | 200 | 310 | 300 | 101 | 195 | 569 | 1/2" | 258 | 183 | 196 |
| RHE 1900 VD | 1490 | 815 | 1250 | 315 | 850 | 1309 | 300 | 355 | 350 | 90 | 255 | 689 | 1/2" | 258 | 215 | 257 |
| RHE 2500 VD | 1740 | 965 | 1350 | 355 | 1000 | 1410 | 400 | 420 | 400 | 105 | 307 | 825 | 3/4" | 283 | 250 | 328 |
| RHE 3500 VD | 1900 | 1125 | 1530 | 450 | 1156 | 1590 | 450 | 460 | 400 | 105 | 367 | 985 | 3/4" | 338 | 290 | 395 |

RHE

RHE VDL 4500
Descarga vertical
Conexiones lado interior
a la derecha



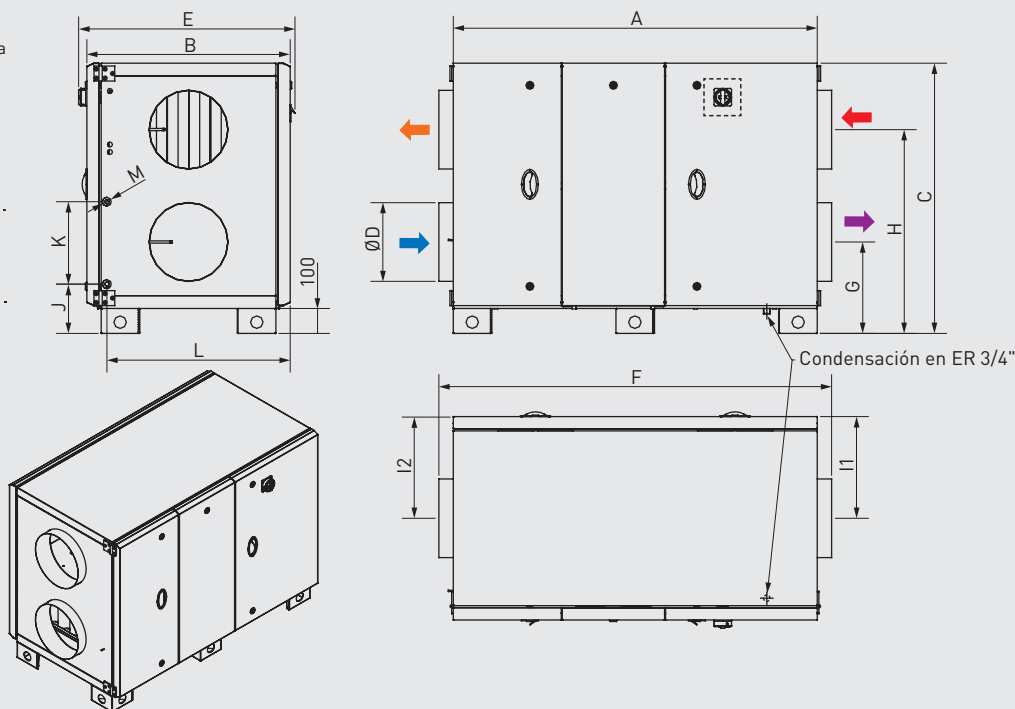
RHE VDL 4500
Descarga vertical
Conexiones lado interior
a la izquierda



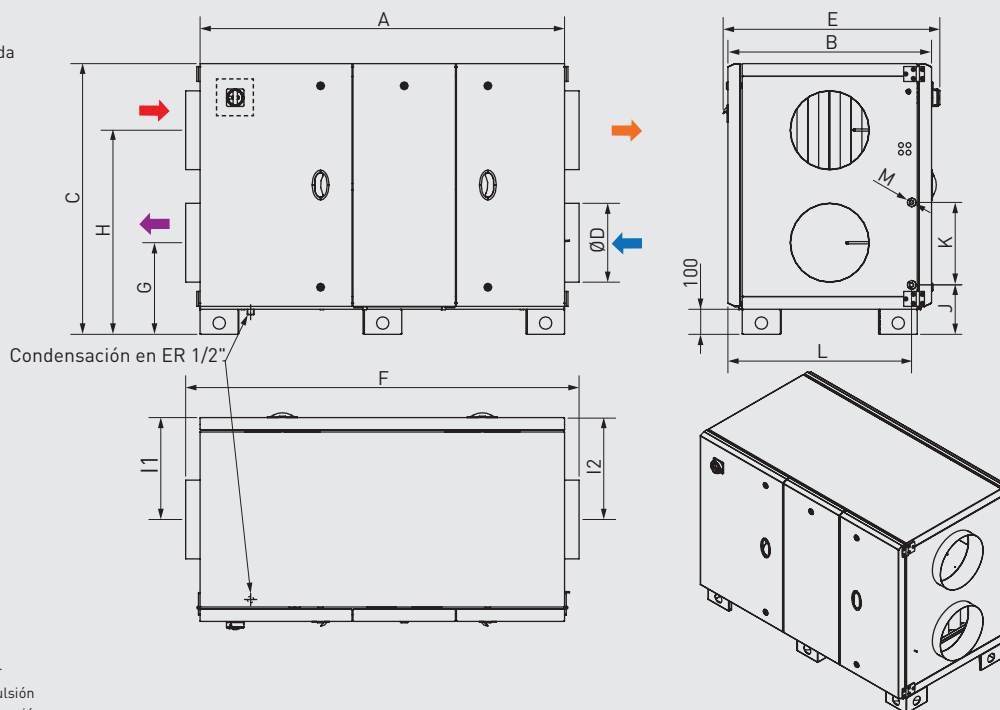
- Conexión del conducto de aire exterior
- Conexión del conducto de aire de impulsión
- Conexión del conducto del aire de extracción
- Conexión del conducto de aire de expulsión
- Posición control

RHE

RHE HDR 700 a 4500
Descarga horizontal
 Conexiones lado interior a la derecha



RHE HDL 700 a 4500
Descarga horizontal
 Conexiones lado interior a la izquierda



- Conexión del conducto de aire exterior
- Conexión del conducto de aire de impulsión
- Conexión del conducto del aire de extracción
- Conexión del conducto de aire de expulsión
- Posición control

| Modelo | A | B | C | ØD | E | F | G | H | I1 | I2 | J | K | L | M | Peso (kg) |
|-----------------|------|------|------|-----|------|------|-----|------|-------|-------|-----|-----|------|------|-----------|
| RHE 700/1300 HD | 1309 | 715 | 983 | 315 | 763 | 1425 | 329 | 754 | 327,5 | 357,5 | 210 | 255 | 625 | 1/2" | 173 |
| RHE 1900 HD | 1459 | 815 | 1085 | 355 | 851 | 1575 | 356 | 826 | 407,5 | 407,5 | 194 | 337 | 719 | 3/4" | 217 |
| RHE 2500 HD | 1558 | 965 | 1183 | 400 | 1000 | 1675 | 379 | 904 | 482,5 | 482,5 | 204 | 367 | 869 | 3/4" | 242 |
| RHE 3500 HD | 1558 | 1125 | 1363 | 450 | 1160 | 1675 | 436 | 1026 | 562,5 | 562,5 | 204 | 457 | 1030 | 3/4" | 323 |
| RHE 4500 HD | 1558 | 1125 | 1363 | 500 | 1160 | 1675 | 436 | 1026 | 562,5 | 562,5 | 204 | 457 | 1030 | 3/4" | 326 |

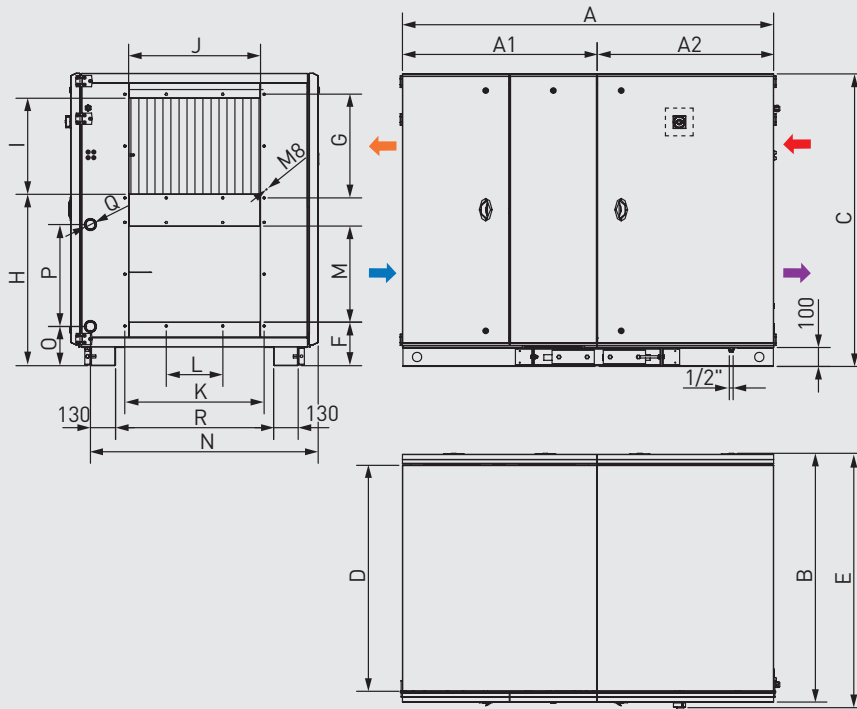
RHE

RHE HDR 6000 a 10000

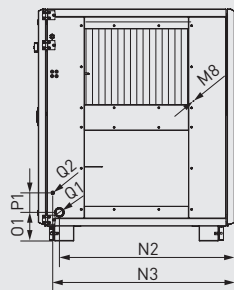
Descarga horizontal

Conexiones lado interior a la derecha

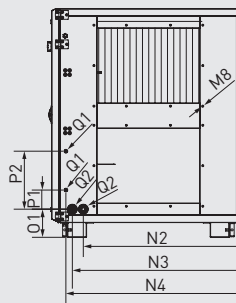
Estos modelos se suministran en 2 módulos, que se unen fácilmente en el momento de la instalación.



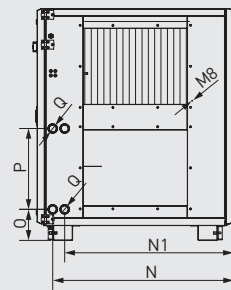
RHE 6000 DX
con batería de expansión directa



RHE 8000/10000 DX
con batería de expansión directa



RHE DC/DF
con batería de agua caliente/fría reversible



- Conexión del conducto de aire exterior
- Conexión del conducto de aire de impulsión
- Conexión del conducto del aire de extracción
- Conexión del conducto de aire de expulsión
- Posición control

| Modelo | A | A1* | A2 | B | C | D | E | F | G | H | I | J | K |
|--------------|------|------|------|------|------|------|------|-----|-----|------|-----|------|------|
| RHE 6000 HD | 1972 | 1034 | 938 | 1315 | 1553 | 1200 | 1350 | 235 | 550 | 915 | 510 | 700 | 740 |
| RHE 8000 HD | 2112 | 1114 | 998 | 1565 | 1803 | 1450 | 1600 | 245 | 650 | 1050 | 610 | 900 | 940 |
| RHE 10000 HD | 2412 | 1263 | 1149 | 1735 | 1971 | 1620 | 1770 | 285 | 650 | 1175 | 610 | 1100 | 1140 |

* Hay que contar con 50 mm adicionales que quedan encajados en el módulo anexo.

| Modelo | L | M | N | N1 | N2 | N3 | N4 | O | O1 | P | P1 | P2 | Q* | Q1 | Q2 | R |
|--------------|-----|-----|------|------|------|------|------|-----|-----|-----|-----|-----|---------------|------|------|------|
| RHE 6000 HD | 300 | 510 | 1210 | 1131 | 1174 | 1218 | - | 208 | 213 | 541 | 109 | - | 1" (1"1/4) | 12,7 | 28,5 | 840 |
| RHE 8000 HD | 300 | 610 | 1434 | 1334 | 1364 | 1410 | 1410 | 216 | 213 | 653 | 172 | 422 | 1"1/4 (1"1/2) | 15,8 | 22,2 | 1090 |
| RHE 10000 HD | 600 | 610 | 1614 | 1514 | 1580 | 1580 | 1610 | 214 | 213 | 743 | 217 | 522 | 1"1/4 (1"1/2) | 22,2 | 28,5 | 1260 |

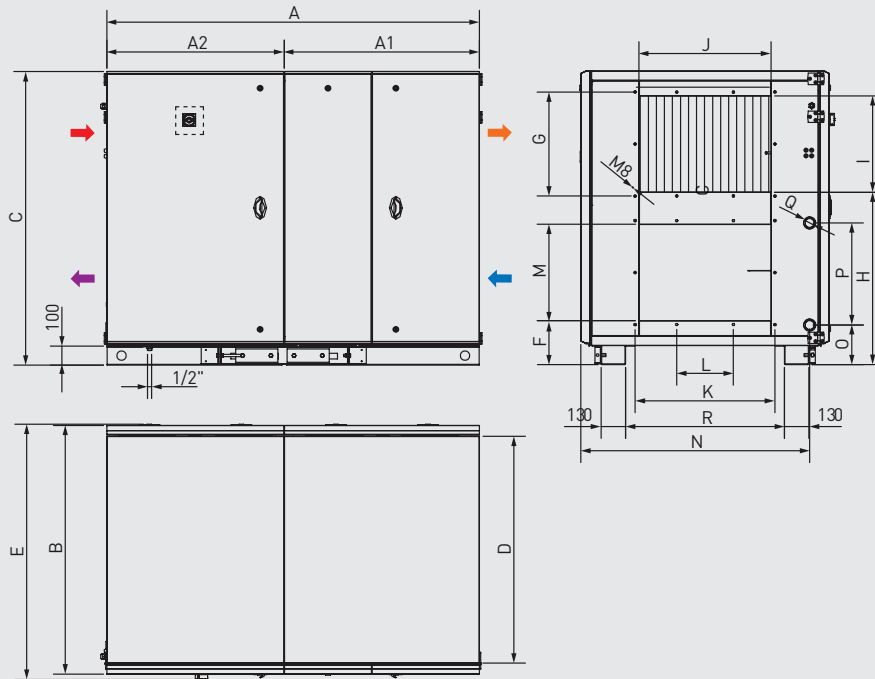
* Hay que contar con 50 mm adicionales que quedan encajados en el módulo anexo.

| Modelo | Peso (kg) | | | | | | | | | | | | | | | | | |
|--------------|-----------|---------|-----|-----|---------|-----|-----|---------|-----|-----|---------|-----|-------|---------|-----|-----|---------|-----|
| | Versiones | | | | | | | | | | | | | | | | | |
| | D | | | DI | | | DC | | | DFR | | | DC/DF | | | DX | | |
| A1 | A2 | A1 + A2 | A1 | A2 | A1 + A2 | A1 | A2 | A1 + A2 | A1 | A2 | A1 + A2 | A1 | A2 | A1 + A2 | A1 | A2 | A1 + A2 | |
| RHE 6000 HD | 345 | 224 | 569 | 345 | 251 | 596 | 345 | 245 | 590 | 345 | 252 | 597 | 345 | 273 | 618 | 345 | 262 | 607 |
| RHE 8000 HD | 457 | 285 | 742 | 457 | 322 | 779 | 457 | 313 | 770 | 457 | 323 | 780 | 457 | 352 | 809 | 457 | 337 | 794 |
| RHE 10000 HD | 550 | 354 | 904 | 550 | 398 | 948 | 550 | 388 | 938 | 550 | 400 | 950 | 550 | 434 | 984 | 550 | 416 | 966 |

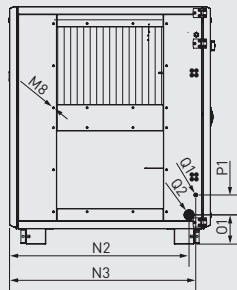
RHE

RHE HDL 6000 a 10000
Descarga horizontal
 Conexiones lado interior a la izquierda

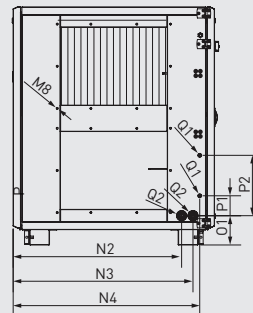
Estos modelos se suministran en 2 módulos, que se unen fácilmente en el momento de la instalación.



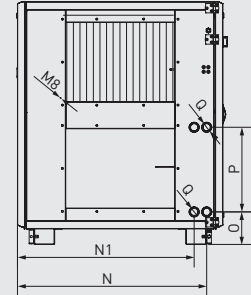
RHE 6000 DX
con batería de expansión directa



RHE 8000/10000 DX
con batería de expansión directa



RHE DC/DF
con batería de agua caliente/fría reversible



- Conexión del conducto de aire exterior
- Conexión del conducto de aire de impulsión
- Conexión del conducto del aire de extracción
- Conexión del conducto de aire de expulsión
- Posición control

| Modelo | A | A1* | A2 | B | C | D | E | F | G | H | I | J | K |
|--------------|------|------|------|------|------|------|------|-----|-----|------|-----|------|------|
| RHE 6000 HD | 1972 | 1034 | 938 | 1315 | 1553 | 1200 | 1350 | 235 | 550 | 915 | 510 | 700 | 740 |
| RHE 8000 HD | 2112 | 1114 | 998 | 1565 | 1803 | 1450 | 1600 | 245 | 650 | 1050 | 610 | 900 | 940 |
| RHE 10000 HD | 2412 | 1263 | 1149 | 1735 | 1971 | 1620 | 1770 | 285 | 650 | 1175 | 610 | 1100 | 1140 |

* Hay que contar con 50 mm adicionales que quedan encajados en el módulo anexo.

| Modelo | L | M | N | N1 | N2 | N3 | N4 | O | O1 | P | P1 | P2 | Q* | Q1 | Q2 | R |
|--------------|-----|-----|------|------|------|------|------|-----|-----|-----|-----|-----|--------------|------|------|------|
| RHE 6000 HD | 300 | 510 | 1210 | 1131 | 1174 | 1218 | - | 208 | 213 | 541 | 109 | - | 1"11/4 | 12,7 | 28,5 | 840 |
| RHE 8000 HD | 300 | 610 | 1434 | 1334 | 1364 | 1410 | 1410 | 216 | 213 | 653 | 172 | 422 | 1"1/4(1"1/2) | 15,8 | 22,2 | 1090 |
| RHE 10000 HD | 600 | 610 | 1614 | 1514 | 1580 | 1580 | 1610 | 214 | 213 | 743 | 217 | 522 | 1"1/4(1"1/2) | 22,2 | 28,5 | 1260 |

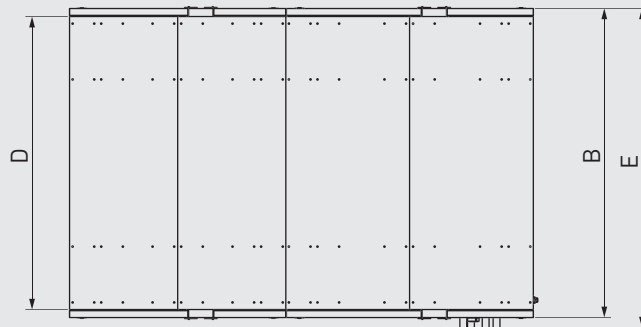
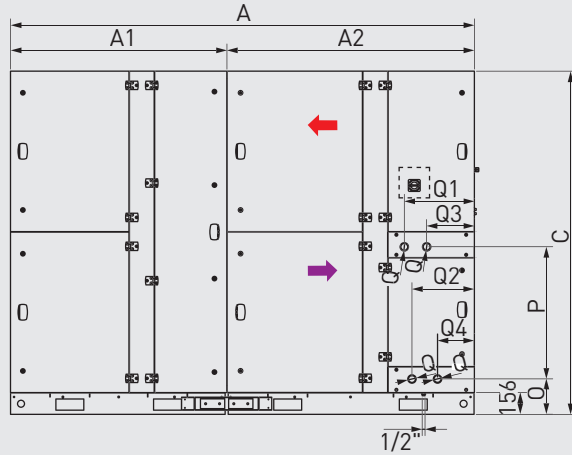
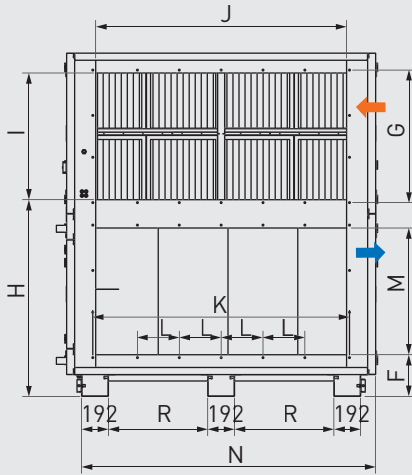
* Hay que contar con 50 mm adicionales que quedan encajados en el módulo anexo.

| Modelo | Peso (kg) | | | | | | | | | | | | | | | | | |
|--------------|-----------|---------|-----|-----|---------|-----|-----|---------|-----|-----|---------|-----|-------|---------|-----|-----|---------|-----|
| | Versiones | | | | | | | | | | | | | | | | | |
| | D | | | DI | | | DC | | | DFR | | | DC/DF | | | DX | | |
| A1 | A2 | A1 + A2 | A1 | A2 | A1 + A2 | A1 | A2 | A1 + A2 | A1 | A2 | A1 + A2 | A1 | A2 | A1 + A2 | A1 | A2 | A1 + A2 | |
| RHE 6000 HD | 345 | 224 | 569 | 345 | 251 | 596 | 345 | 245 | 590 | 345 | 252 | 597 | 345 | 273 | 618 | 345 | 262 | 607 |
| RHE 8000 HD | 457 | 285 | 742 | 457 | 322 | 779 | 457 | 313 | 770 | 457 | 323 | 780 | 457 | 352 | 809 | 457 | 337 | 794 |
| RHE 10000 HD | 550 | 354 | 904 | 550 | 398 | 948 | 550 | 388 | 938 | 550 | 400 | 950 | 550 | 434 | 984 | 550 | 416 | 966 |

RHE

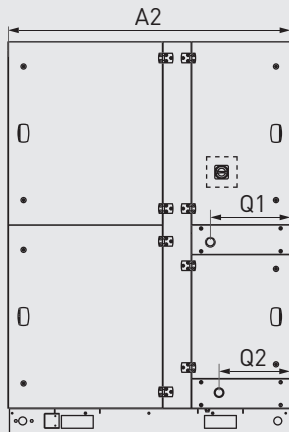
RHE HDR 15000
Descarga horizontal
Conexiones lado interior a la derecha

Estos modelos se suministran en 2 módulos, que se unen fácilmente en el momento de la instalación.

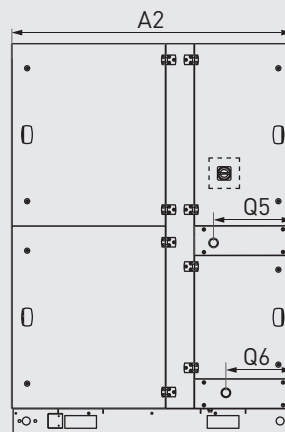


- Conexión del conducto de aire exterior
- Conexión del conducto de aire de impulsión
- Conexión del conducto del aire de extracción
- Conexión del conducto de aire de expulsión
- Posición control

RHE DC y DFR



RHE DFR4R



| Modelo | A | A1* | A2 | B | C | D | E | F | G | H | I | J | K |
|--------------|------|------|------|------|------|------|------|-----|-----|------|-----|------|------|
| RHE 15000 HD | 3325 | 1552 | 1774 | 2215 | 2460 | 2100 | 2288 | 298 | 950 | 1409 | 908 | 1798 | 1840 |

* Hay que contar con 50 mm adicionales que quedan encajados en el módulo anexo.

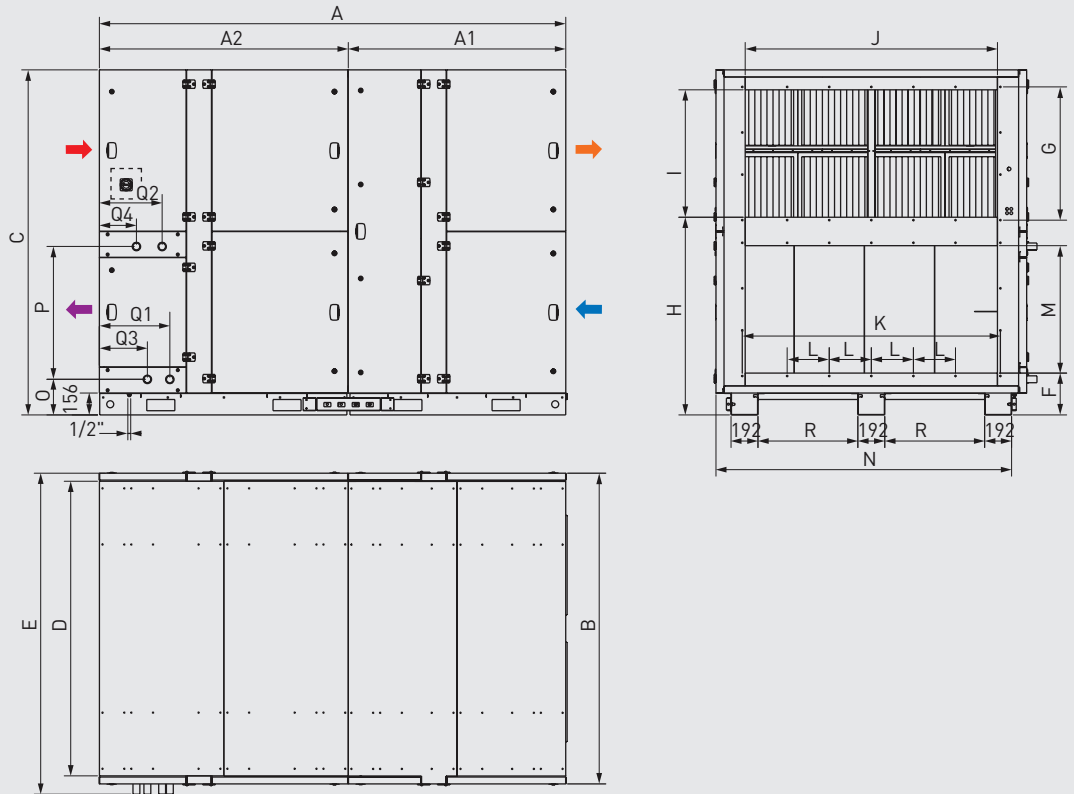
| Modelo | L | M | N | N1 | O | P | Q | Q1 | Q2 | Q3 | Q4 | Q5 | Q6 | R |
|--------------|-----|-----|------|-----|-----|-----|-------|-----|-----|-----|-----|-----|-----|-----|
| RHE 15000 HD | 300 | 908 | 2107 | 254 | 254 | 947 | 1"1/2 | 502 | 447 | 342 | 264 | 498 | 420 | 712 |

| Modelo | Peso (kg) | | | | | | | | | | | | | | |
|--------------|-----------|-----|---------|-----|-----|---------|-----|-----|---------|-----|-----|---------|-------|-----|---------|
| | Versiones | | | | | | | | | | | | | | |
| | D | | | DI | | | DC | | | DFR | | | DC/DF | | |
| | A1 | A2 | A1 + A2 | A1 | A2 | A1 + A2 | A1 | A2 | A1 + A2 | A1 | A2 | A1 + A2 | A1 | A2 | A1 + A2 |
| RHE 15000 HD | 930 | 710 | 1640 | 930 | 800 | 1730 | 930 | 750 | 1680 | 930 | 790 | 1720 | 930 | 830 | 1760 |

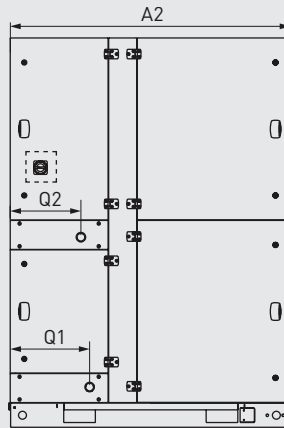
RHE

RHE HDL 15000
Descarga horizontal
 Conexiones lado interior a la izquierda

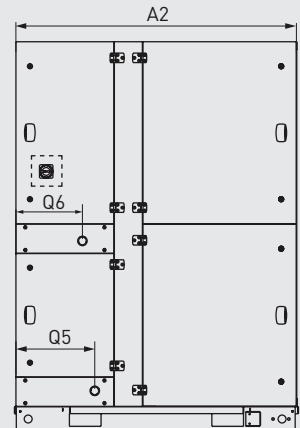
Estos modelos se suministran en 2 módulos, que se unen fácilmente en el momento de la instalación.



RHE DC y DFR



RHE DFR4R



- Conexión del conducto de aire exterior
- Conexión del conducto de aire de impulsión
- Conexión del conducto del aire de extracción
- Conexión del conducto de aire de expulsión
- Posición control

| Modelo | A | A1* | A2 | B | C | D | E | F | G | H | I | J | K |
|--------------|------|------|------|------|------|------|------|-----|-----|------|-----|------|------|
| RHE 15000 HD | 3325 | 1552 | 1774 | 2215 | 2460 | 2100 | 2288 | 298 | 950 | 1409 | 908 | 1798 | 1840 |

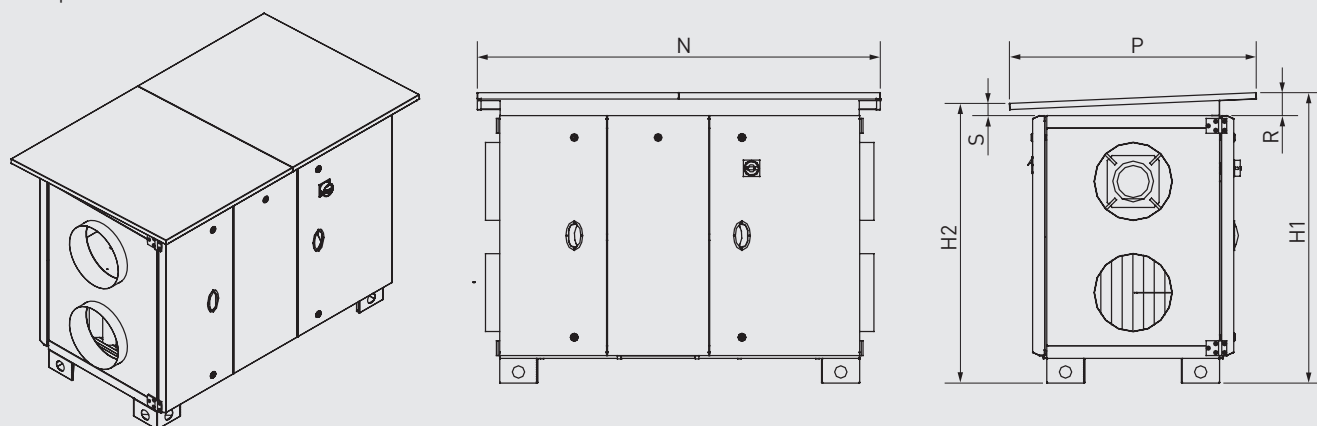
* Hay que contar con 50 mm adicionales que quedan encajados en el módulo anexo.

| Modelo | L | M | N | N1 | O | P | Q | Q1 | Q2 | Q3 | Q4 | Q5 | Q6 | R |
|--------------|-----|-----|------|-----|-----|-----|-------|-----|-----|-----|-----|-----|-----|-----|
| RHE 15000 HD | 300 | 908 | 2107 | 254 | 254 | 947 | 1"1/2 | 502 | 447 | 342 | 264 | 498 | 420 | 712 |

| Modelo | Peso (kg) | | | | | | | | | | | | | | |
|--------------|-----------|-----|---------|-----|-----|---------|-----|-----|---------|-----|-----|---------|-------|-----|---------|
| | Versiones | | | | | | | | | | | | | | |
| | D | | | DI | | | DC | | | DFR | | | DC/DF | | |
| | A1 | A2 | A1 + A2 | A1 | A2 | A1 + A2 | A1 | A2 | A1 + A2 | A1 | A2 | A1 + A2 | A1 | A2 | A1 + A2 |
| RHE 15000 HD | 930 | 710 | 1640 | 930 | 800 | 1730 | 930 | 750 | 1680 | 930 | 790 | 1720 | 930 | 830 | 1760 |

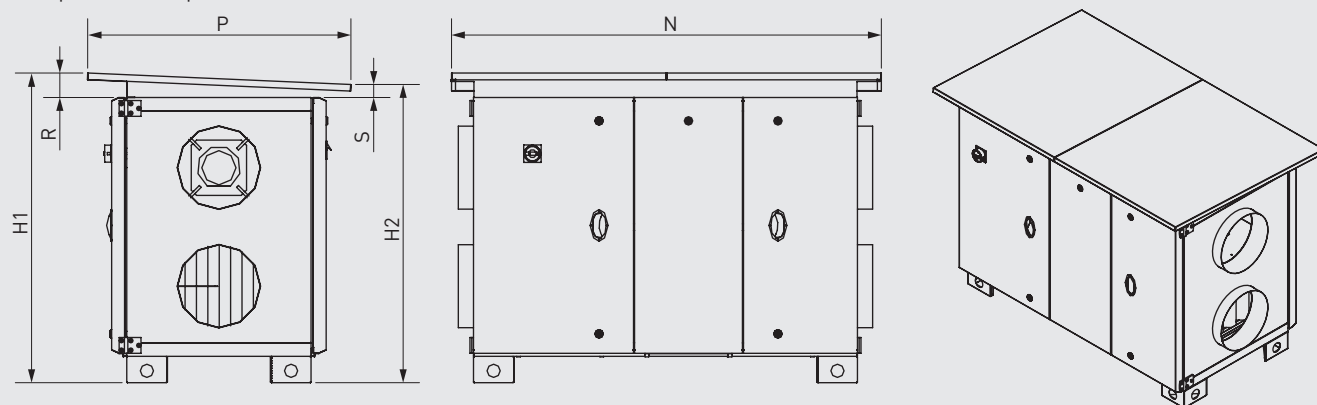
RHE

Versión para intemperie
Acceso por el lado derecho



□ Posición control

Versión para intemperie
Acceso por el lado izquierdo

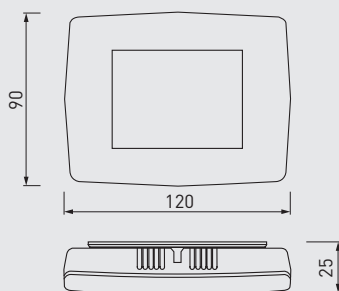


□ Posición control

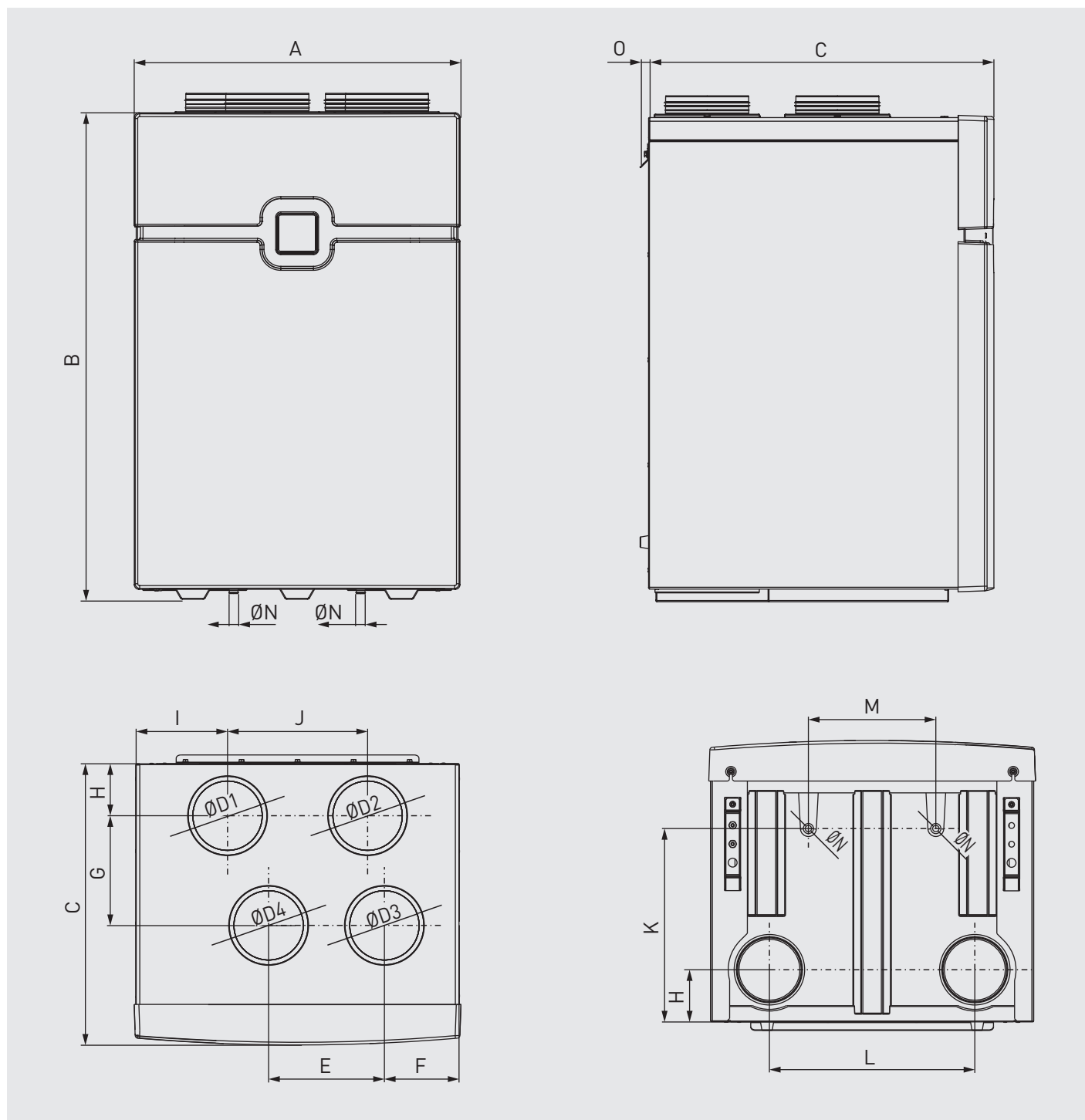
| Modelo | H1 | H2 | N | P | R | S | Peso (kg) |
|---------------------|------|------|------|------|-----|----|-----------|
| RHE 700/1300 HD OI | 1068 | 1036 | 1568 | 900 | 85 | 54 | 192 |
| RHE 1900 HD OI | 1171 | 1136 | 1719 | 1000 | 89 | 54 | 239 |
| RHE 2500 HD OI | 1276 | 1236 | 1818 | 1150 | 94 | 54 | 268 |
| RHE 3500/4500 HD OI | 1462 | 1416 | 1818 | 1309 | 99 | 54 | 355 |
| RHE 6000 HD OI | 1659 | 1606 | 2232 | 1500 | 106 | 54 | 570 |
| RHE 8000 HD OI | 1917 | 1856 | 2372 | 1750 | 115 | 54 | 838 |
| RHE 10000 HD OI | 2093 | 2026 | 2672 | 1920 | 122 | 54 | 1034 |

ETD
Panel remoto táctil

Se entrega con cable de 10 m, equipado con conector RJ10 4P 4C, para conectar con el control (puede llegar a utilizarse, si es preciso, un cable de hasta 100 m).



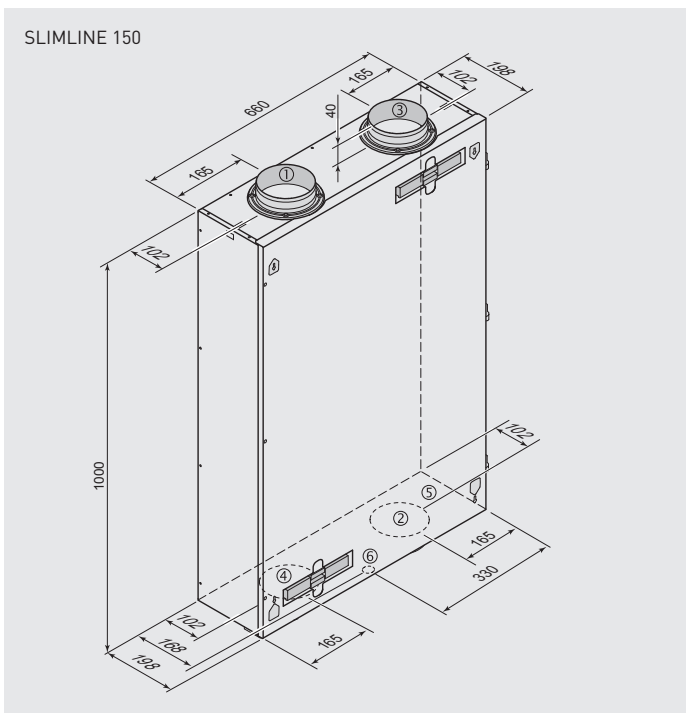
SABIK



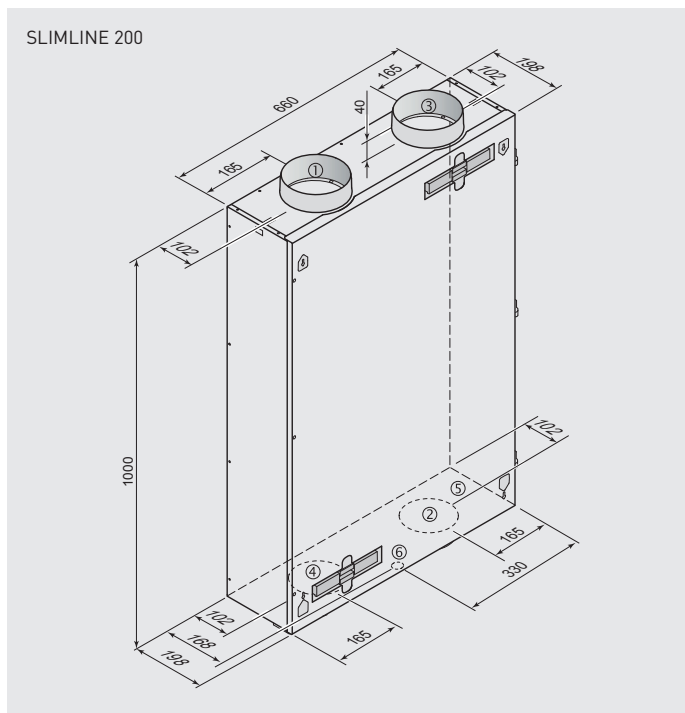
| Modelo | A | B | C | D1 | D2 | D3 | D4 | E | F | G | H | I | J | K | L | M | N | O | Peso (kg) |
|-----------|-----|------|-----|-----|-----|-----|-----|-----|-----|-----|-----|-----|-----|-----|-----|-----|----|----|-----------|
| SABIK 210 | 600 | 995 | 460 | 125 | 125 | 125 | 125 | 215 | 125 | 180 | 94 | 161 | 215 | 313 | 392 | 267 | 21 | 19 | 37 |
| SABIK 350 | 700 | 1046 | 603 | 150 | 150 | 150 | 150 | 248 | 160 | 235 | 111 | 196 | 300 | 414 | 440 | 273 | 21 | 19 | 50 |
| SABIK 500 | 700 | 1046 | 753 | 180 | 180 | 180 | 180 | 257 | 153 | 280 | 126 | 196 | 300 | 493 | 440 | 273 | 21 | 19 | 63 |

SLIMLINE

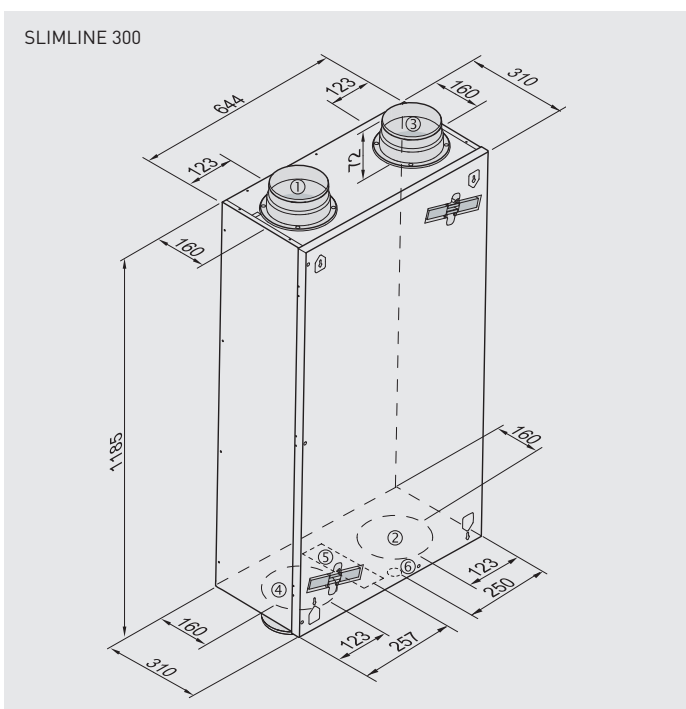
SLIMLINE 150



SLIMLINE 200



SLIMLINE 300



① Impulsión



② Descarga



③ Extracción

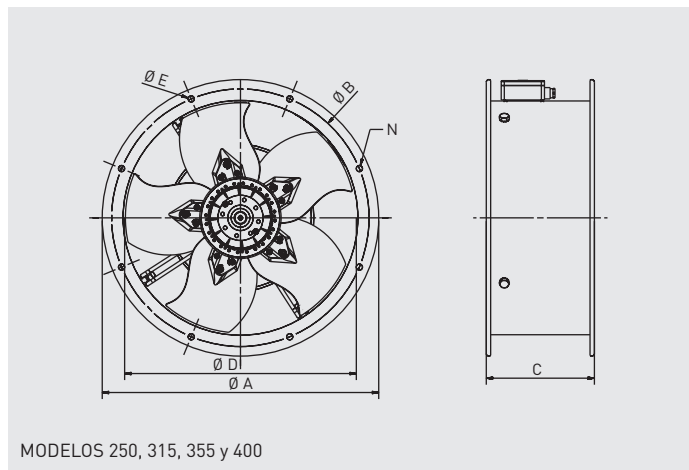


④ Toma de aire exterior

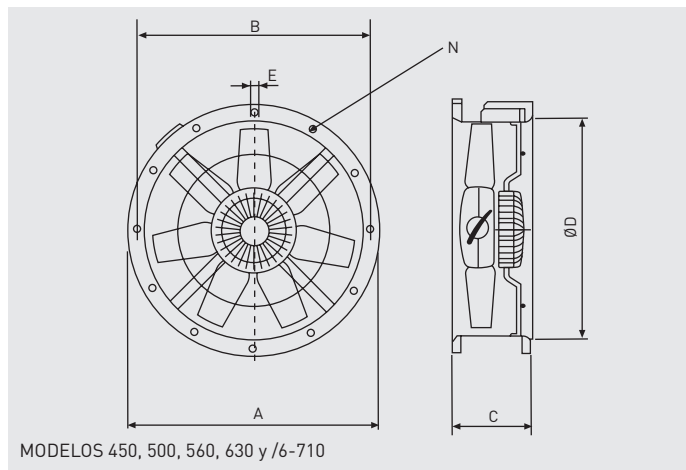
⑤ Conexiones eléctricas

⑥ Conexión salida de condensados

TCBB/TCBT

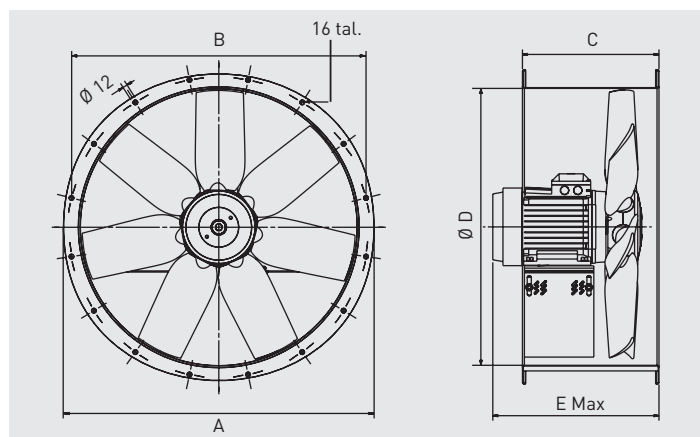


MODELOS 250, 315, 355 y 400



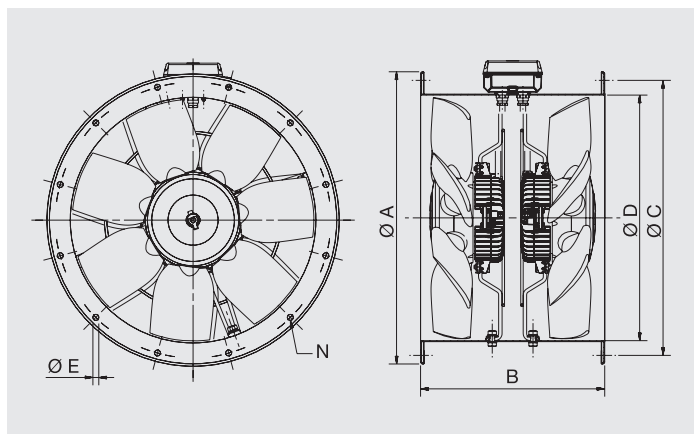
MODELOS 450, 500, 560, 630 y /6-710

| Modelo | Ø A | Ø B | C | Ø D | Ø E | Núm. de taladros N |
|---------------|-----|-----|-----|-----|-----|--------------------|
| 250 | 327 | 292 | 170 | 254 | 10 | 4 |
| 315 | 386 | 355 | 170 | 315 | 10 | 8 |
| 355 | 426 | 395 | 170 | 355 | 10 | 8 |
| 400 (6 polos) | 487 | 450 | 170 | 400 | 12 | 8 |
| 400 (4 polos) | 487 | 450 | 210 | 400 | 12 | 8 |
| 450 | 537 | 500 | 180 | 450 | 12 | 8 |
| 500 | 595 | 560 | 180 | 500 | 12 | 12 |
| 560 | 655 | 620 | 240 | 560 | 12 | 12 |
| 630 | 725 | 690 | 240 | 630 | 12 | 12 |
| 710 (6 polos) | 806 | 770 | 240 | 710 | 12 | 16 |



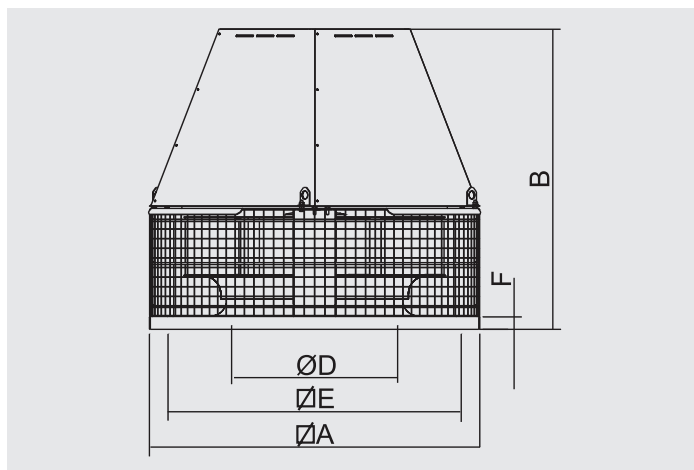
| Modelo | Ø A | B | C | Ø D | E | | |
|-----------------|-----|-----|-----|-----|-------------------------|---------|---------|
| | | | | | 4 polos | 6 polos | 8 polos |
| 710/L (4 polos) | 806 | 770 | 380 | 710 | 415 | - | - |
| 710/H (4 polos) | 806 | 770 | 380 | 710 | 444 | - | - |
| 800/L | 896 | 860 | 380 | 800 | 437 | 408 | 383 |
| 800/K | 896 | 860 | 380 | 800 | 448 | 437 | 408 |
| 800/G | 896 | 860 | 380 | 800 | 447 (5,5kW) 515 (7,5kW) | 448 | 437 |
| 800/H | 896 | 860 | 380 | 800 | 515 | 477 | 437 |

TCBBx2 / TCBTx2



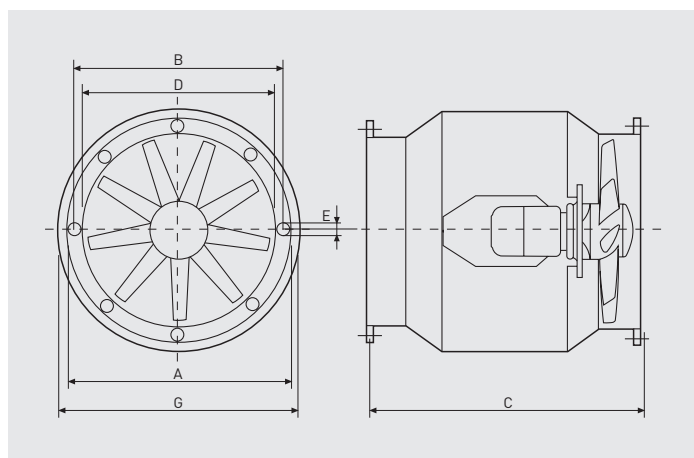
| Modelo | Ø A | B | Ø C | Ø D | Ø E | Núm. de taladros N |
|--------------|-----|-----|-----|-----|-----|--------------------|
| 450 | 537 | 375 | 500 | 450 | 12 | 8 |
| TCBBx2/4-500 | 595 | 520 | 560 | 500 | 12 | 12 |
| TCBTx2/4-500 | 595 | 375 | 560 | 500 | 12 | 12 |
| 560 | 655 | 520 | 620 | 560 | 12 | 12 |
| 630 | 725 | 520 | 690 | 630 | 12 | 12 |

TCDH EXD



| Modelo | A | B | D | E | F |
|--------------|------|-----|-----|-----|----|
| TCDH Exd 010 | 430 | 405 | 181 | 344 | 30 |
| TCDH Exd 020 | 430 | 430 | 217 | 344 | 30 |
| TCDH Exd 030 | 540 | 539 | 256 | 450 | 30 |
| TCDH Exd 040 | 540 | 562 | 294 | 450 | 30 |
| TCDH Exd 060 | 660 | 650 | 326 | 570 | 30 |
| TCDH Exd 080 | 660 | 662 | 362 | 570 | 30 |
| TCDH Exd 105 | 800 | 726 | 399 | 668 | 30 |
| TCDH Exd 110 | 800 | 759 | 444 | 668 | 30 |
| TCDH Exd 140 | 946 | 876 | 490 | 830 | 30 |
| TCDH Exd 195 | 946 | 900 | 537 | 830 | 30 |
| TCDH Exd 250 | 1030 | 940 | 581 | 830 | 40 |

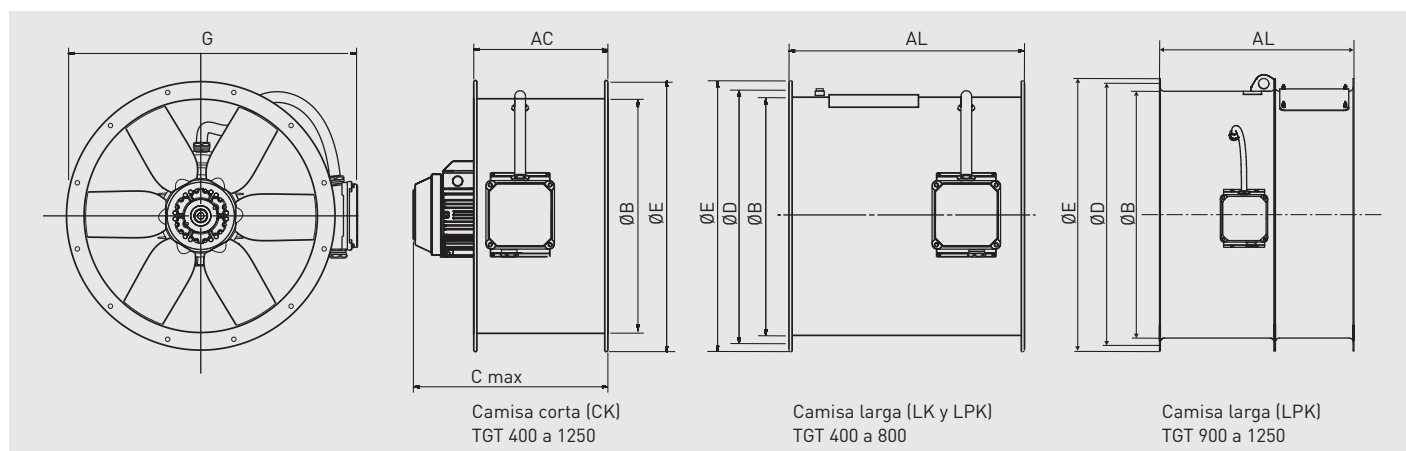
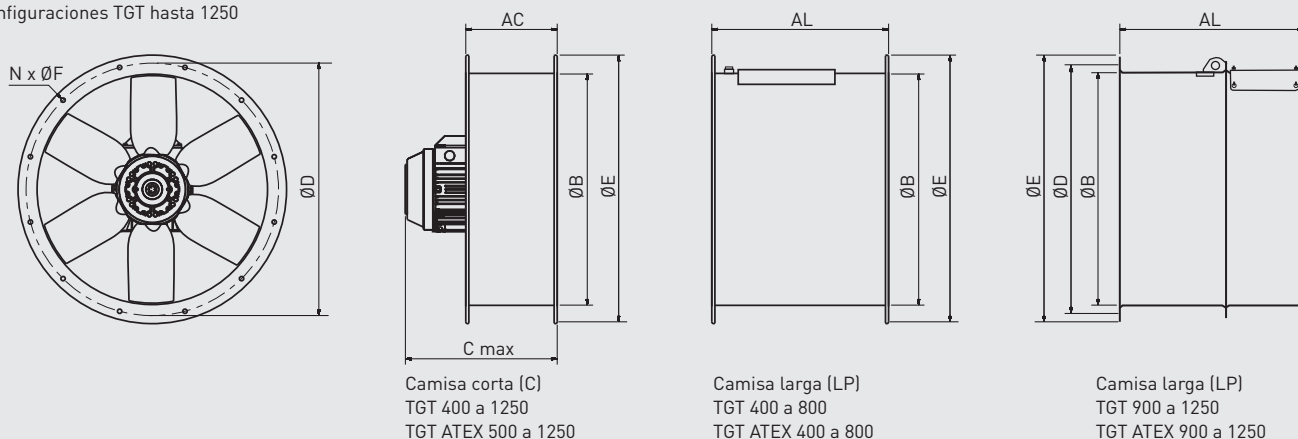
TET



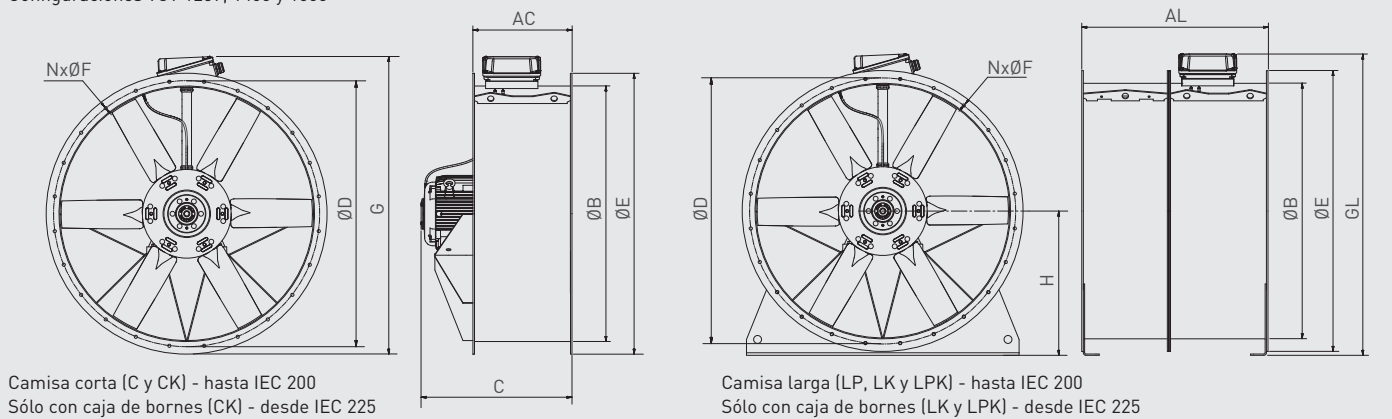
| Modelo | Ø A | B | C | Ø D | Ø E | Ø G |
|-----------|-----|-----|-----|-----|-----|-----|
| TET/2-400 | 484 | 450 | 770 | 400 | 10 | 534 |
| TET/4-400 | 484 | 450 | 770 | 400 | 10 | 534 |
| TET/4-600 | 694 | 664 | 830 | 600 | 12 | 734 |
| TET/6-600 | 694 | 664 | 830 | 600 | 12 | 734 |

TGT

Configuraciones TGT hasta 1250



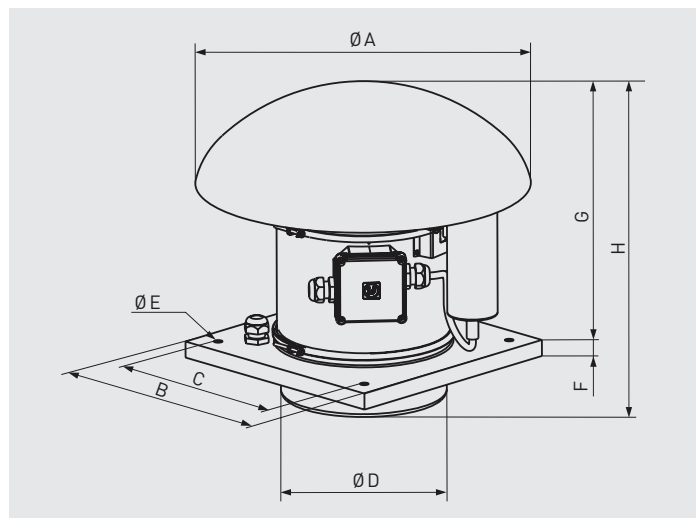
Configuraciones TGT 1257, 1400 y 1600



| Modelo | AC | AL | B | C | D | E | F | G | GL | H | N |
|--------|-----|------|------|------|------|------|----|------|------|-----|----|
| 400 | 250 | 380 | 400 | 402 | 450 | 487 | 12 | 558 | - | - | 8 |
| 450 | 250 | 480 | 450 | 457 | 500 | 537 | 12 | 613 | - | - | 8 |
| 500 | 250 | 480 | 500 | 467 | 560 | 595 | 12 | 662 | - | - | 12 |
| 560 | 280 | 600 | 560 | 564 | 620 | 655 | 12 | 726 | - | - | 12 |
| 630 | 280 | 700 | 630 | 564 | 690 | 725 | 12 | 795 | - | - | 12 |
| 710 | 380 | 600 | 710 | 564 | 770 | 806 | 12 | 849 | - | - | 16 |
| 800 | 380 | 600 | 800 | 564 | 860 | 896 | 12 | 940 | - | - | 16 |
| 900 | 450 | 750 | 900 | 737 | 970 | 1005 | 15 | 1045 | - | - | 16 |
| 1000 | 450 | 780 | 1000 | 767 | 1070 | 1105 | 15 | 1145 | - | - | 16 |
| 1120 | 500 | 1150 | 1120 | 950 | 1190 | 1225 | 15 | 1268 | - | - | 20 |
| 1250 | 500 | 1150 | 1250 | 950 | 1320 | 1355 | 15 | 1421 | - | - | 20 |
| 1257 | 625 | 1175 | 1250 | 830 | 1320 | 1358 | 15 | 1505 | - | - | 20 |
| 1409 | 625 | 1175 | 1400 | 1130 | 1470 | 1512 | 15 | 1659 | 1663 | 781 | 20 |
| 1609 | 625 | 1275 | 1600 | 1250 | 1680 | 1772 | 20 | 1900 | 1910 | 910 | 24 |

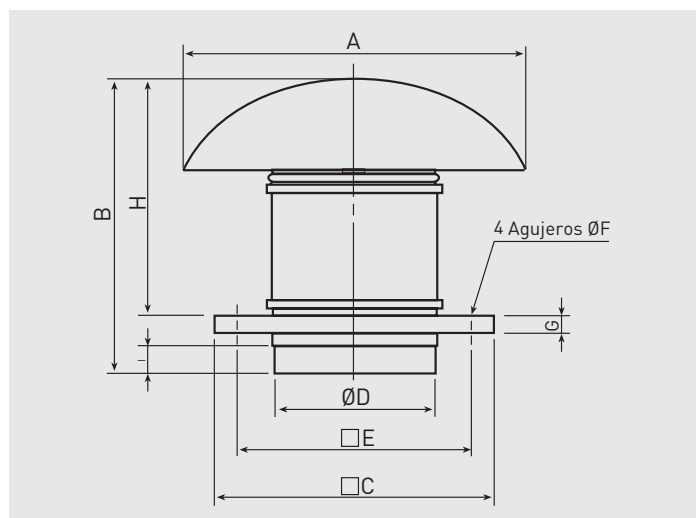
Cotas correspondientes al mayor motor disponible para la gama. Para información más detallada en función del punto de trabajo, por favor consultar Easyvent.

TH ATEX



| Modelo | A | B | C | D | E | F | G | H |
|----------------|-----|-----|-----|-------|------|----|-----|-----|
| TH-800/200 EX | 400 | 300 | 245 | 197,5 | 10,5 | 20 | 316 | 381 |
| TH-1100/250 EX | 546 | 435 | 330 | 248 | 12 | 20 | 372 | 457 |
| TH-1200/315 EX | 735 | 560 | 450 | 312 | 12 | 20 | 450 | 544 |

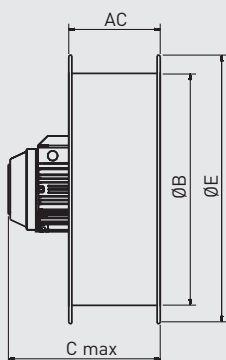
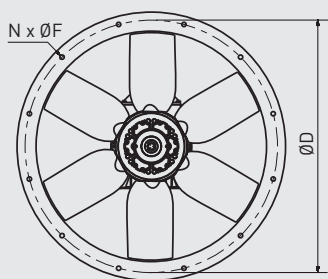
TH-ECOWATT



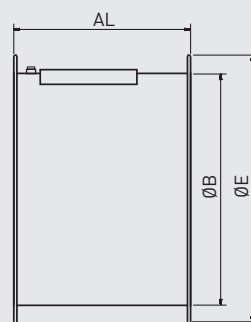
| Modelo | A | B | C | D | E | F | G | H | I |
|---------------------|-----|-----|-----|-----|-----|----|----|-----|----|
| TH-500/150 ECOWATT | 400 | 349 | 300 | 150 | 245 | 10 | 20 | 274 | 33 |
| TH-500/160 ECOWATT | 400 | 339 | 300 | 160 | 245 | 10 | 20 | 274 | 33 |
| TH-800/200 ECOWATT | 400 | 375 | 300 | 198 | 245 | 10 | 20 | 310 | 36 |
| TH-1300/250 ECOWATT | 546 | 457 | 435 | 248 | 330 | 12 | 20 | 372 | 42 |
| TH-2000/315 ECOWATT | 735 | 544 | 560 | 312 | 450 | 12 | 20 | 450 | 50 |

THGT

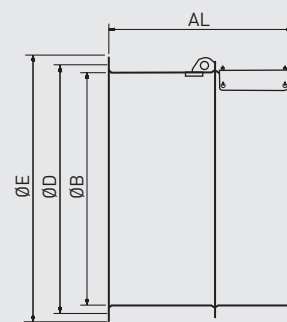
Configuraciones THGT hasta 1250



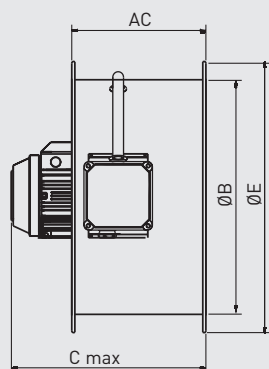
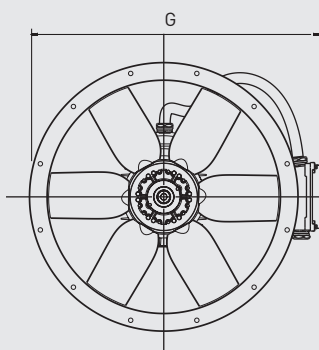
Camisa corta [C]
THGT 400 a 1250



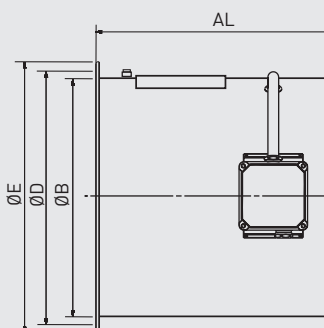
Camisa larga [LP]
THGT 400 a 800



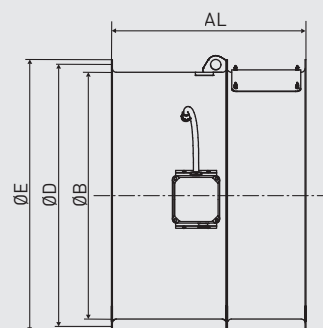
Camisa larga [LP]
THGT 900 a 1250



Camisa corta [CK]
THGT 400 a 1250

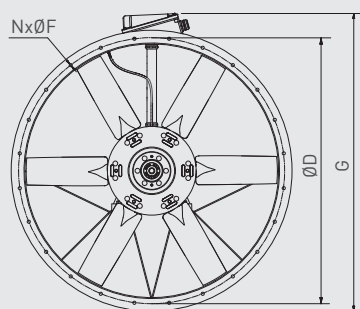


Camisa larga [LK y LPK]
THGT 400 a 800

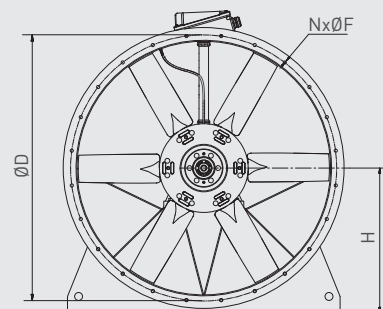
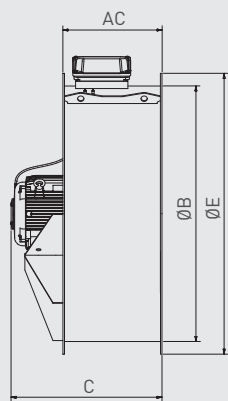


Camisa larga [LPK]
THGT 900 a 1250

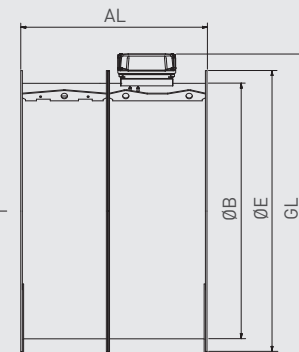
Configuraciones THGT 1257, 1400 y 1600



Camisa corta [C y CK] - hasta IEC 200
Sólo con caja de bornes [CK] - desde IEC 225



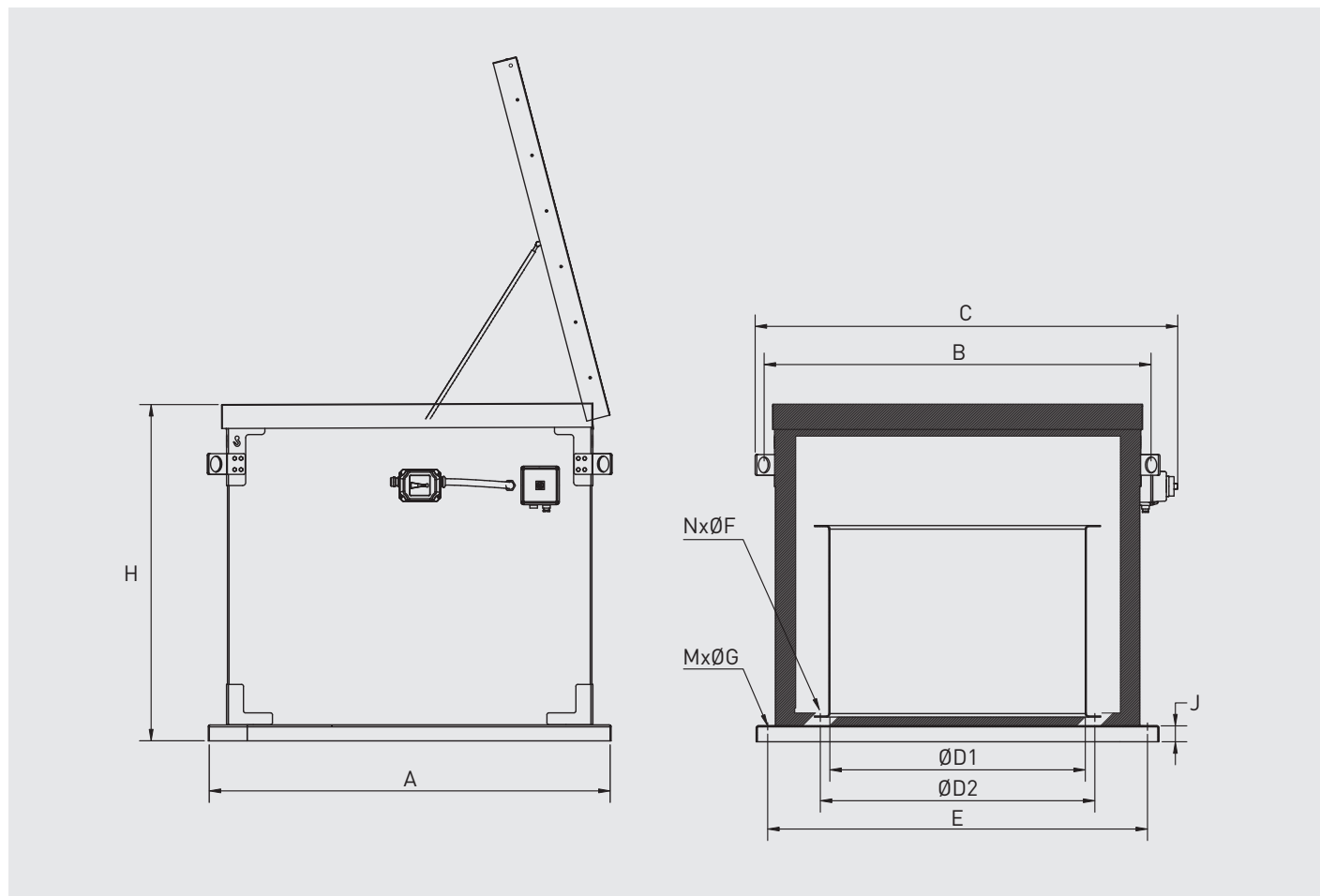
Camisa larga [LP, LK y LPK] - hasta IEC 200
Sólo con caja de bornes [LK y LPK] - desde IEC 225



| Modelo | AC | AL | B | C | D | E | F | G | GL | H | N |
|--------|-----|------|------|------|------|------|----|------|------|-----|----|
| 400 | 250 | 380 | 400 | 402 | 450 | 487 | 12 | 558 | - | - | 8 |
| 450 | 250 | 480 | 450 | 457 | 500 | 537 | 12 | 613 | - | - | 8 |
| 500 | 250 | 480 | 500 | 467 | 560 | 595 | 12 | 662 | - | - | 12 |
| 560 | 280 | 600 | 560 | 564 | 620 | 655 | 12 | 726 | - | - | 12 |
| 630 | 280 | 700 | 630 | 564 | 690 | 725 | 12 | 795 | - | - | 12 |
| 710 | 380 | 600 | 710 | 564 | 770 | 806 | 12 | 849 | - | - | 16 |
| 800 | 380 | 600 | 800 | 564 | 860 | 896 | 12 | 940 | - | - | 16 |
| 900 | 450 | 750 | 900 | 737 | 970 | 1005 | 15 | 1045 | - | - | 16 |
| 1000 | 450 | 780 | 1000 | 767 | 1070 | 1105 | 15 | 1145 | - | - | 16 |
| 1120 | 500 | 1150 | 1120 | 950 | 1190 | 1225 | 15 | 1268 | - | - | 20 |
| 1250 | 500 | 1150 | 1250 | 950 | 1320 | 1355 | 15 | 1421 | - | - | 20 |
| 1257 | 625 | 1175 | 1250 | 830 | 1320 | 1358 | 15 | 1505 | - | - | 20 |
| 1409 | 625 | 1175 | 1400 | 1130 | 1470 | 1512 | 15 | 1659 | 1663 | 781 | 20 |
| 1609 | 625 | 1275 | 1600 | 1250 | 1680 | 1772 | 20 | 1900 | 1910 | 910 | 24 |

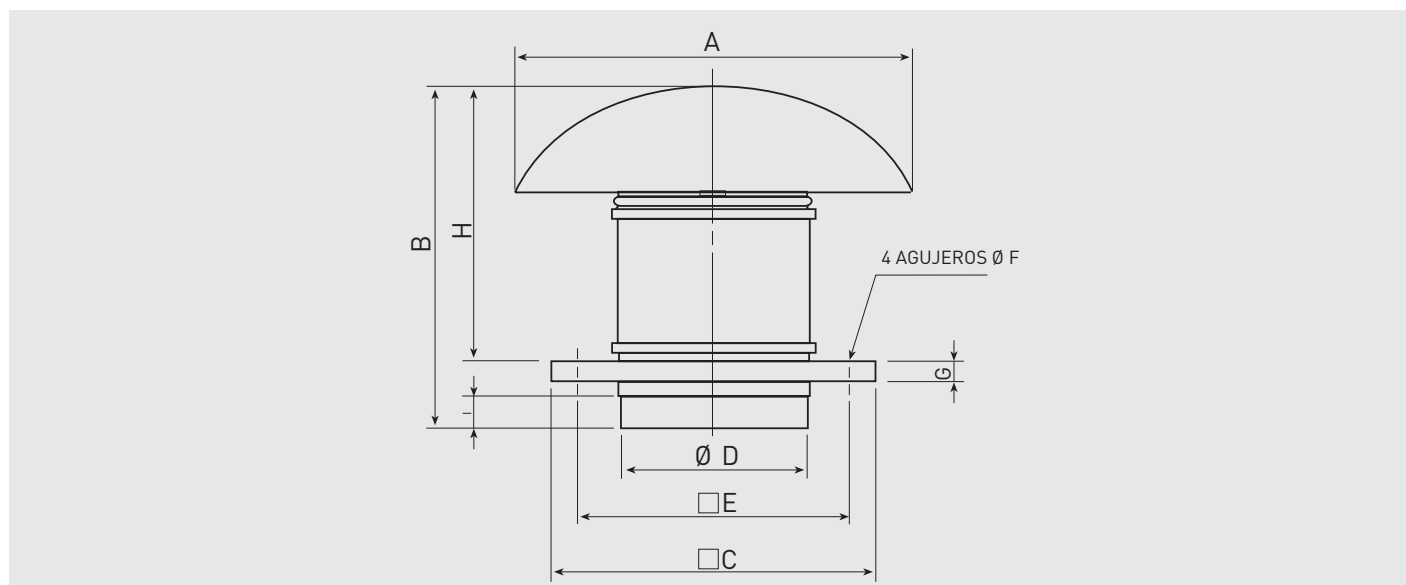
Cotas correspondientes al mayor motor disponible para la gama. Para información más detallada en función del punto de trabajo, por favor consultar Easyvent.

THGT-HATCH



| Tamaño | Modelo | A | H | B | C | ØD1 | ØD2 | E | N | F | M | G | J |
|--------|--------|------|------|------|------|------|------|------|----|----|---|----|----|
| 1 | 500 | 1076 | 1058 | 1032 | 1143 | 500 | 560 | 1009 | 12 | 12 | 4 | 14 | 50 |
| | 560 | | | | | 620 | | | | | | | |
| | 630 | | | | | 690 | | | | | | | |
| 2 | 710 | 1256 | 1058 | 1212 | 1325 | 710 | 770 | 1190 | 16 | 12 | 4 | 14 | 50 |
| | 800 | | | | | 860 | | | | | | | |
| 3 | 900 | 1455 | 1164 | 1412 | 1550 | 900 | 970 | 1390 | 16 | 15 | 4 | 14 | 50 |
| | 1000 | | | | | 1070 | | | | | | | |
| 4 | 1120 | 1704 | 1394 | 1662 | 1815 | 1120 | 1190 | 1640 | 20 | 15 | 4 | 14 | 50 |
| | 1250 | | | | | 1320 | | | | | | | |

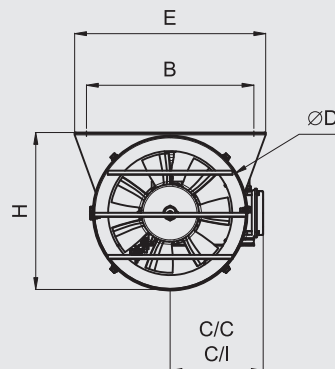
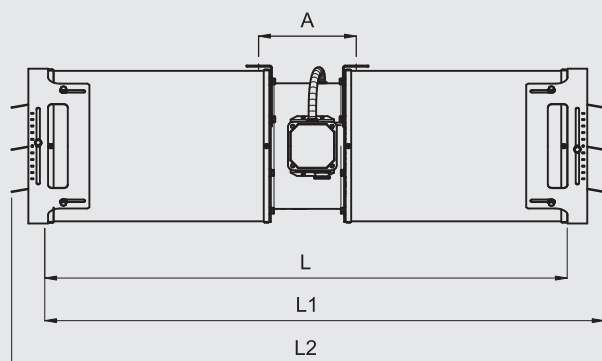
TH-MIXVENT



| Modelo | A | B | C | D | E | F | G | H | I |
|------------|-----|-----|-----|-----|-----|----|----|-----|----|
| TH-500/150 | 400 | 349 | 300 | 150 | 245 | 10 | 20 | 274 | 33 |
| TH-500/160 | 400 | 339 | 300 | 160 | 245 | 10 | 20 | 274 | 33 |
| TH-800 N | 400 | 375 | 300 | 198 | 245 | 10 | 20 | 310 | 36 |
| TH-800 | 400 | 375 | 300 | 198 | 245 | 10 | 20 | 310 | 36 |

TJFT-TJFU

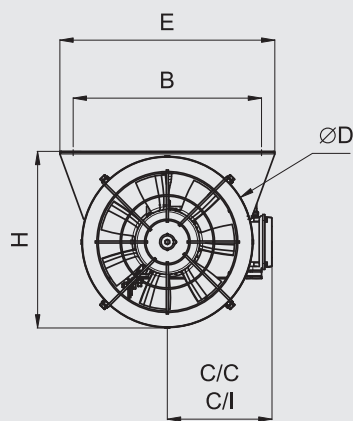
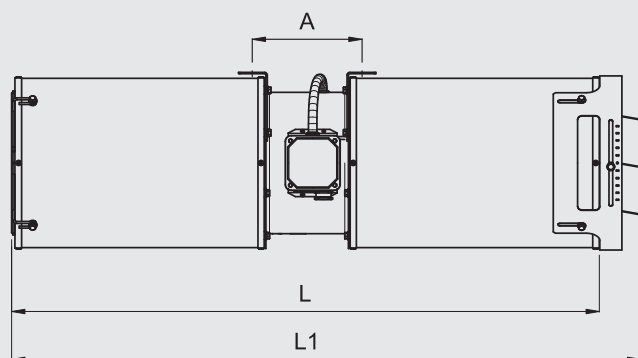
TJFT



L: versión sin deflector. L1: versión unidireccional, con 1 deflector. L2: versión reversible, con 2 deflectores. C/C: versión con caja de conexiones (estándar). C/I: versión con interruptor (opcional)

| Modelo | A | B | C/C | C/I | D | E | H | L | L1 | L2 |
|--------|-----|-----|-------|-------|-----|-----|-----|------|------|------|
| 315 | 310 | 405 | 236 | 279 | 385 | 485 | 397 | 1754 | 1810 | 1967 |
| 355 | 310 | 445 | 259 | 302 | 425 | 525 | 437 | 1754 | 1810 | 1967 |
| 400 | 310 | 506 | 283 | 326 | 486 | 586 | 498 | 1754 | 1810 | 1967 |
| 450 | 539 | 556 | 313,5 | 362,5 | 536 | 636 | 548 | 2499 | 2055 | 2712 |
| 500 | 549 | 620 | 343,5 | 392,5 | 600 | 700 | 612 | 2499 | 2055 | 2712 |
| 560 | 669 | 680 | 376 | 425 | 660 | 760 | 672 | 3019 | 3072 | 3232 |
| 630 | 769 | 750 | 422 | 480 | 730 | 830 | 742 | 3119 | 3173 | 3332 |

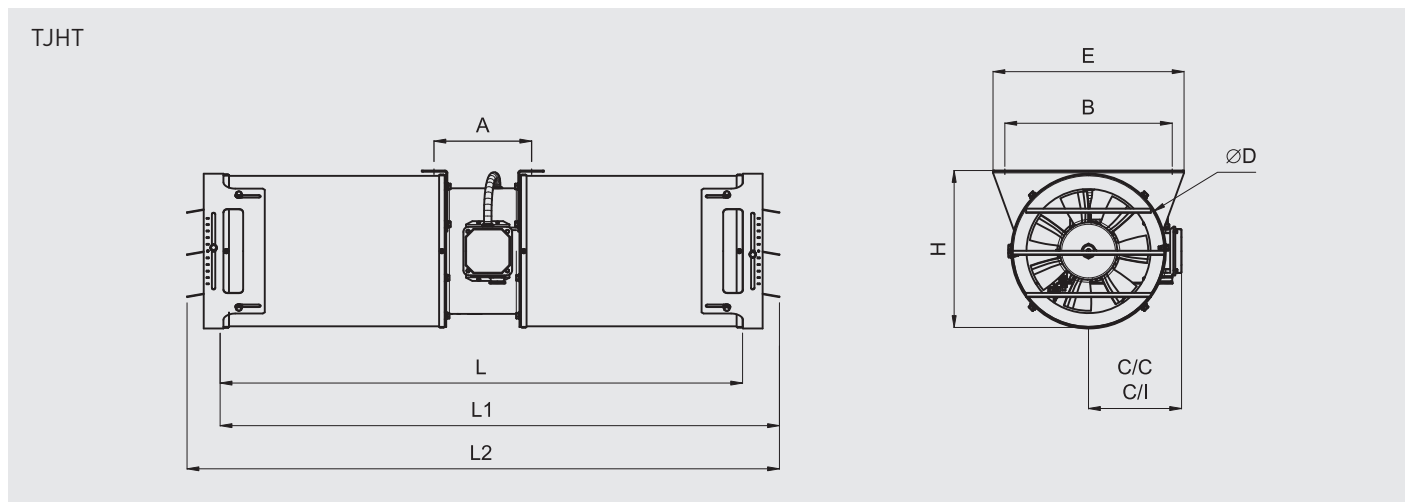
TJFU



L: versión sin deflector. L1: versión unidireccional, con 1 deflector. C/C: versión con caja de conexiones (estándar). C/I: versión con interruptor (opcional)

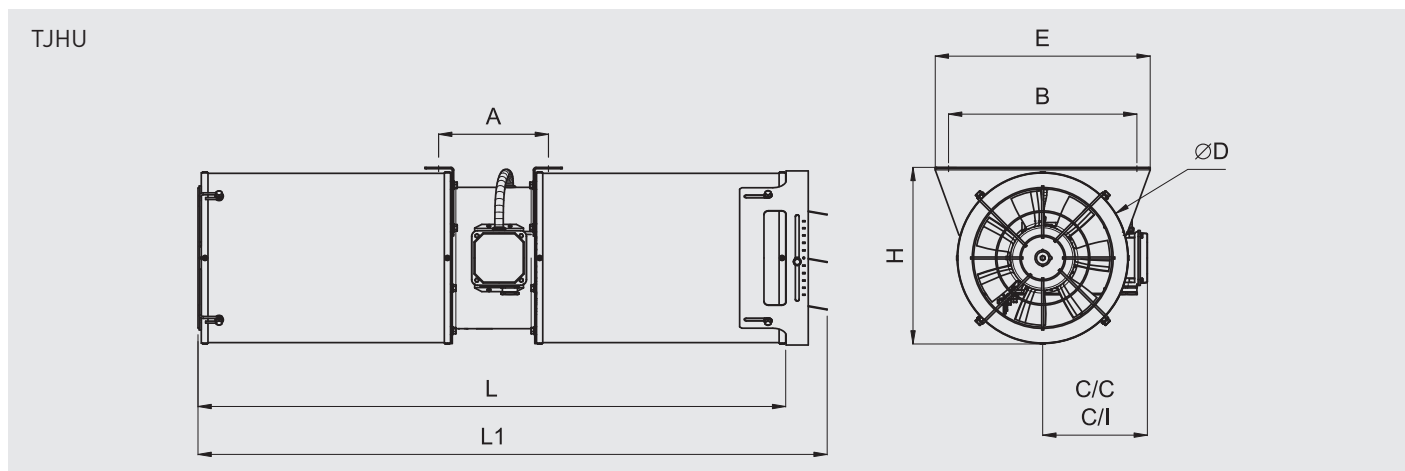
| Modelo | A | B | C/C | C/I | D | E | H | L | L1 |
|--------|-----|-----|-----|-----|-----|-----|-----|------|------|
| 315 | 310 | 405 | 236 | 279 | 385 | 485 | 397 | 1754 | 1810 |
| 355 | 310 | 445 | 259 | 302 | 425 | 525 | 437 | 1754 | 1810 |
| 400 | 310 | 506 | 283 | 326 | 486 | 586 | 498 | 1754 | 1810 |

TJHT-TJHU



L: versión sin deflector. L1: versión unidireccional, con 1 deflector. L2: versión reversible, con 2 deflectores. C/C: versión con caja de conexiones (estándar). C/I: versión con interruptor (opcional)

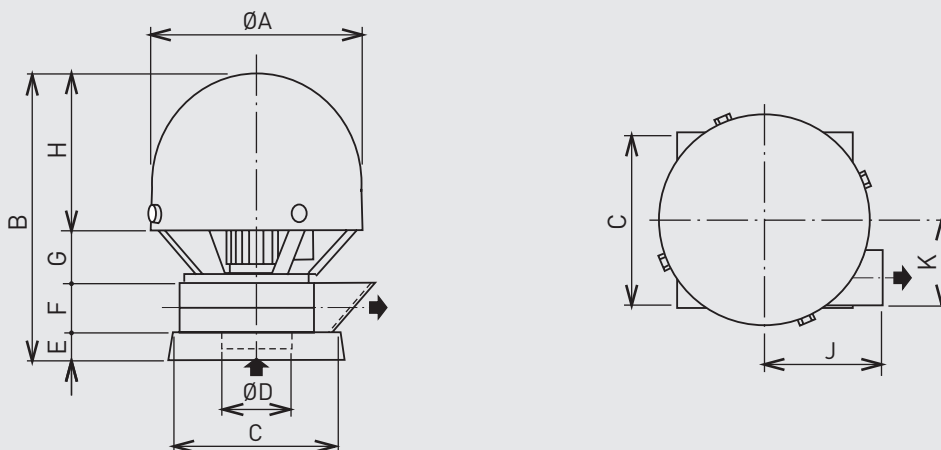
| Modelo | A | B | C/C | C/I | D | E | H | L | L1 | L2 |
|--------|-----|-----|-------|-------|-----|-----|-----|------|------|------|
| 315 | 310 | 405 | 236 | 279 | 385 | 485 | 397 | 1754 | 1810 | 1967 |
| 355 | 310 | 445 | 259 | 302 | 425 | 525 | 437 | 1754 | 1810 | 1967 |
| 400 | 310 | 506 | 283 | 326 | 486 | 586 | 498 | 1754 | 1810 | 1967 |
| 450 | 539 | 556 | 313,5 | 362,5 | 536 | 636 | 548 | 2499 | 2055 | 2712 |
| 500 | 549 | 620 | 343,5 | 392,5 | 600 | 700 | 612 | 2499 | 2055 | 2712 |
| 560 | 669 | 680 | 376 | 425 | 660 | 760 | 672 | 3019 | 3072 | 3232 |
| 630 | 769 | 750 | 422 | 480 | 730 | 830 | 742 | 3119 | 3173 | 3332 |



L: versión sin deflector. L1: versión unidireccional, con 1 deflector. C/C: versión con caja de conexiones (estándar). C/I: versión con interruptor (opcional)

| Modelo | A | B | C/C | C/I | D | E | H | L | L1 |
|--------|-----|-----|-----|-----|-----|-----|-----|------|------|
| 315 | 310 | 405 | 236 | 279 | 385 | 485 | 397 | 1754 | 1810 |
| 355 | 310 | 445 | 259 | 302 | 425 | 525 | 437 | 1754 | 1810 |
| 400 | 310 | 506 | 283 | 326 | 486 | 586 | 498 | 1754 | 1810 |

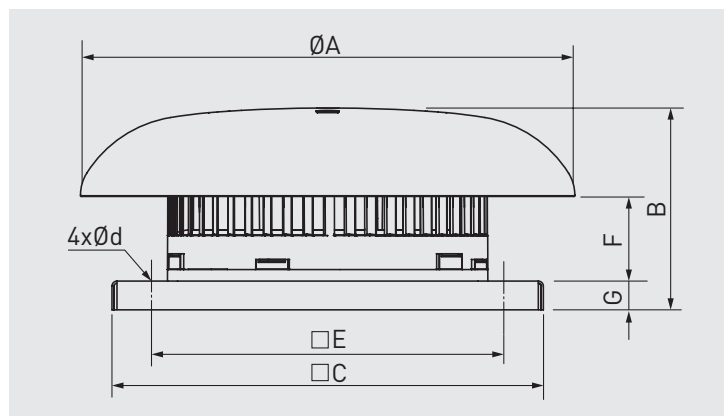
TMPB/TMPT



| Modelo | A | B | C* | D | E | F | G | H | J | K |
|---------------|-----|-----|-----|-----|----|-----|-----|-----|-----|-----|
| TMPB/TMPT-14 | 378 | 512 | 293 | 125 | 50 | 89 | 93 | 280 | 210 | 153 |
| TMPB/TMPT-20 | 385 | 650 | 391 | 200 | 50 | 136 | 104 | 360 | 292 | 235 |
| TMPB/TMPT-24 | 385 | 675 | 491 | 250 | 50 | 166 | 99 | 360 | 351 | 290 |
| TMPB/TMPT-25 | 385 | 675 | 491 | 250 | 50 | 166 | 99 | 360 | 351 | 290 |
| TMPB/TMPT-30 | 385 | 725 | 602 | 315 | 50 | 202 | 113 | 360 | 424 | 347 |
| TMPB/TMPT-20A | 385 | 605 | 391 | 160 | 50 | 94 | 104 | 360 | 253 | 200 |
| TMPB/TMPT-25A | 385 | 629 | 491 | 160 | 50 | 120 | 99 | 360 | 310 | 247 |

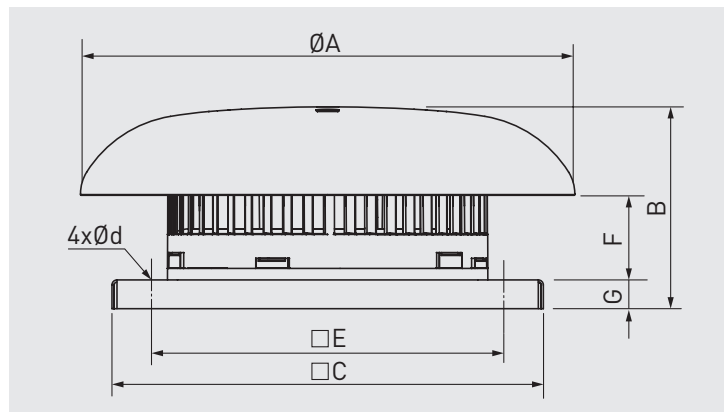
* Dimensión interior.

TPSB



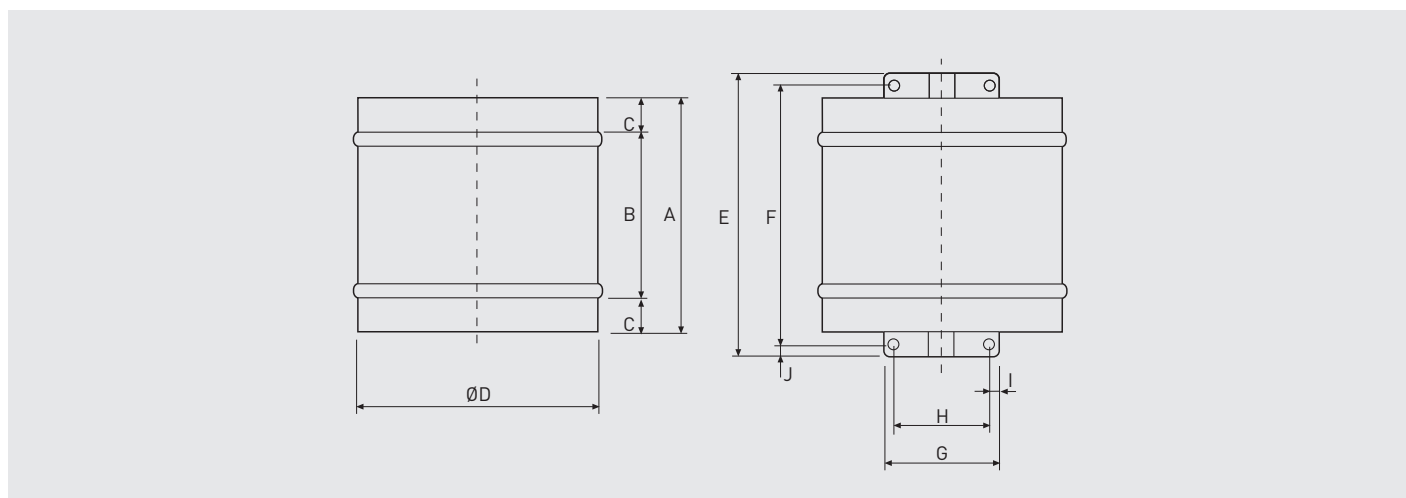
| Modelo | A | B | C | d | E | F | G |
|----------------|-----|-----|-----|----|-----|----|----|
| TPSB/2-190/060 | 344 | 141 | 300 | 10 | 245 | 59 | 20 |
| TPSB/2-225/088 | 452 | 186 | 435 | 10 | 330 | 87 | 20 |
| TPSB/2-250/084 | 452 | 182 | 435 | 10 | 330 | 83 | 20 |

TPSB ECOWATT



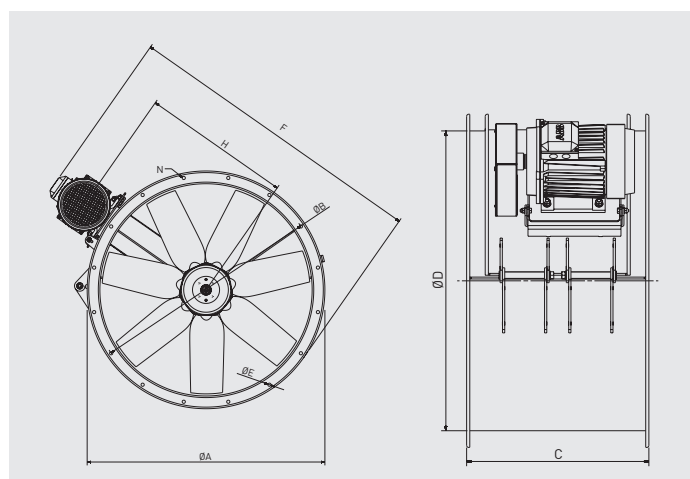
| Modelo | A | B | C | d | E | F | G |
|----------------------|-----|-----|-----|----|-----|----|----|
| TPSB-190/060 ECOWATT | 344 | 141 | 300 | 10 | 245 | 59 | 20 |
| TPSB-225/088 ECOWATT | 452 | 186 | 435 | 10 | 330 | 87 | 20 |
| TPSB-250/084 ECOWATT | 452 | 182 | 435 | 10 | 330 | 83 | 20 |

TRB / TREB



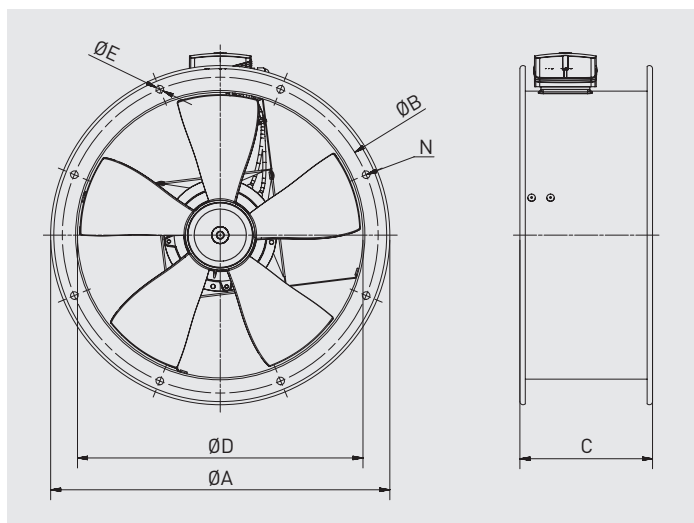
| Modelo | A | B | C | ØD | E | F | G | H | I | J |
|----------|-----|-----|----|-------|-----|-----|-----|----|----|------|
| TRB-200 | 250 | 174 | 38 | 206 | 300 | 269 | 114 | 94 | 10 | 15,5 |
| TRB-250 | 250 | 174 | 38 | 260,4 | 300 | 269 | 114 | 94 | 10 | 15,5 |
| TRB-300 | 250 | 174 | 38 | 308,5 | 300 | 269 | 114 | 94 | 10 | 15,5 |
| TRB-350 | 250 | 174 | 38 | 362,4 | 300 | 269 | 114 | 94 | 10 | 15,5 |
| TREB-200 | 250 | 174 | 38 | 206 | - | - | - | - | - | - |
| TREB-250 | 250 | 174 | 38 | 260,4 | - | - | - | - | - | - |
| TREB-300 | 250 | 174 | 38 | 308,4 | - | - | - | - | - | - |
| TREB-350 | 250 | 174 | 38 | 362,4 | - | - | - | - | - | - |

TTT-N



| Modelo | ØA | ØB | C | ØD | ØE | F | H | Número taladros N |
|-------------|------|------|-----|------|----|------|-----|-------------------|
| TTT/4-450N | 537 | 500 | 442 | 450 | 12 | 733 | 359 | 8 |
| TTT/4-500N | 595 | 560 | 450 | 500 | 12 | 790 | 383 | 12 |
| TTT/4-560N | 655 | 620 | 450 | 560 | 12 | 860 | 422 | 12 |
| TTT/4-630N | 725 | 690 | 450 | 630 | 12 | 943 | 459 | 12 |
| TTT/4-710N | 806 | 770 | 490 | 710 | 12 | 1046 | 507 | 16 |
| TTT/4-800N | 896 | 860 | 490 | 800 | 12 | 1145 | 560 | 16 |
| TTT/4-900N | 1005 | 970 | 600 | 900 | 15 | 1330 | 643 | 16 |
| TTT/4-1000N | 1105 | 1070 | 722 | 1000 | 15 | 1505 | 723 | 16 |

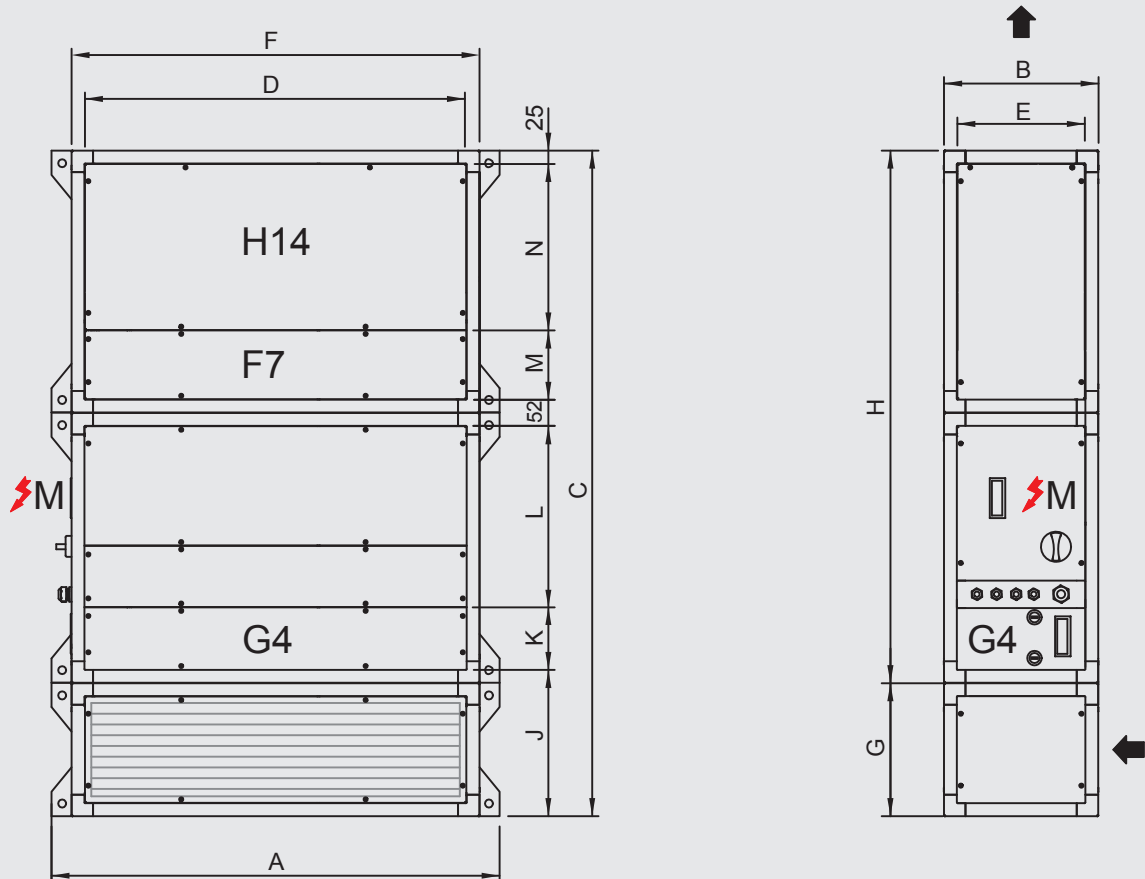
TXBR ECOWATT



| Modelo | ØA | ØB | C | ØD | ØE | Núm. de taladros N |
|--------|-----|-----|-----|-----|----|--------------------|
| 250 | 327 | 292 | 180 | 256 | 10 | 4 |
| 315 | 386 | 355 | 180 | 319 | 10 | 8 |
| 355 | 426 | 395 | 180 | 359 | 10 | 8 |
| 400 | 487 | 450 | 210 | 403 | 12 | 8 |
| 450 | 537 | 500 | 210 | 452 | 12 | 8 |

UP ECOWATT

Unidad montada en vertical con plénum en aspiración (accesorio)
Versión R



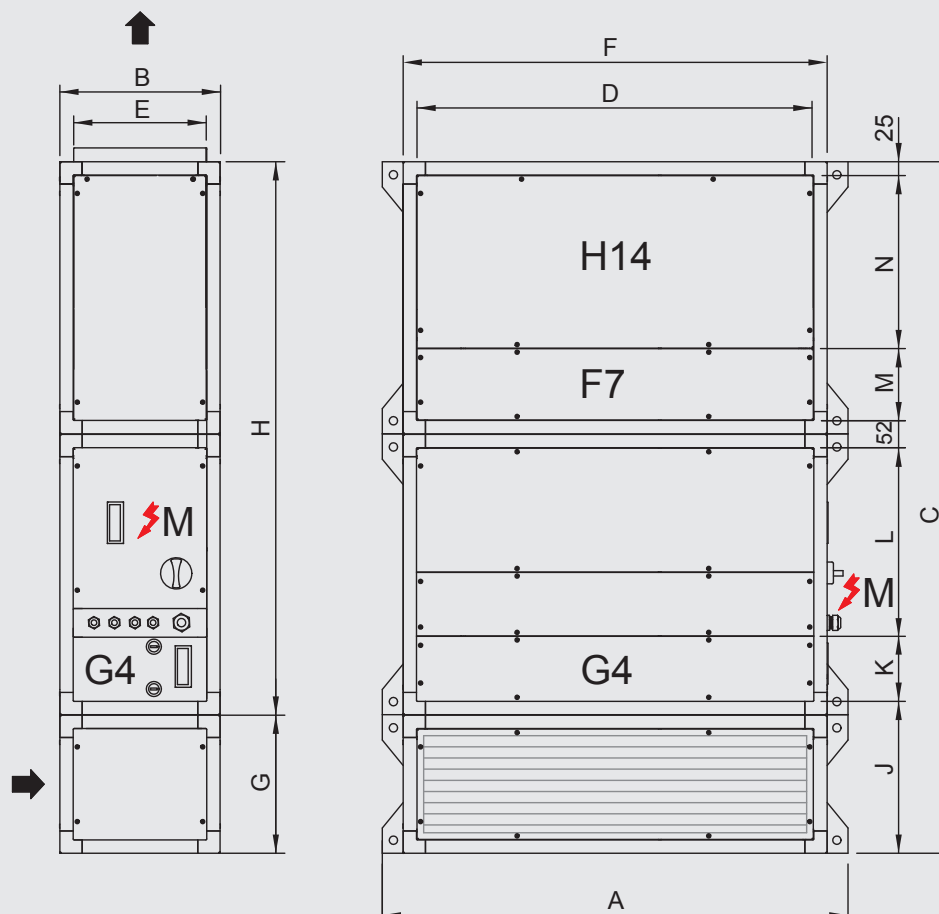
SENTIDO AIRE
 CAJA BORNES MOTORES
 H14 REGISTRO FILTROS H14
 F7 REGISTRO FILTROS F7
 G4 REGISTRO FILTROS G4

| Modelo | A | B | C | D | E | F | G | H | J | K | L | M | N |
|---------|------|-----|------|------|-----|------|-----|------|-----|-----|-----|-----|-----|
| UP 1200 | 822 | 360 | 1874 | 689 | 299 | 750 | 360 | 1514 | 398 | 205 | 485 | 182 | 505 |
| UP 2300 | 1172 | 410 | 1924 | 1039 | 349 | 1100 | 410 | 1514 | 448 | 205 | 485 | 182 | 505 |
| UP 3600 | 1572 | 410 | 1924 | 1439 | 349 | 1500 | 410 | 1514 | 448 | 205 | 485 | 182 | 505 |
| UP 5200 | 1972 | 500 | 2014 | 1839 | 439 | 1900 | 500 | 1514 | 538 | 205 | 485 | 182 | 505 |

UP ECOWATT

Unidad montada en vertical con plénum en aspiración (accesorio)

Versión L

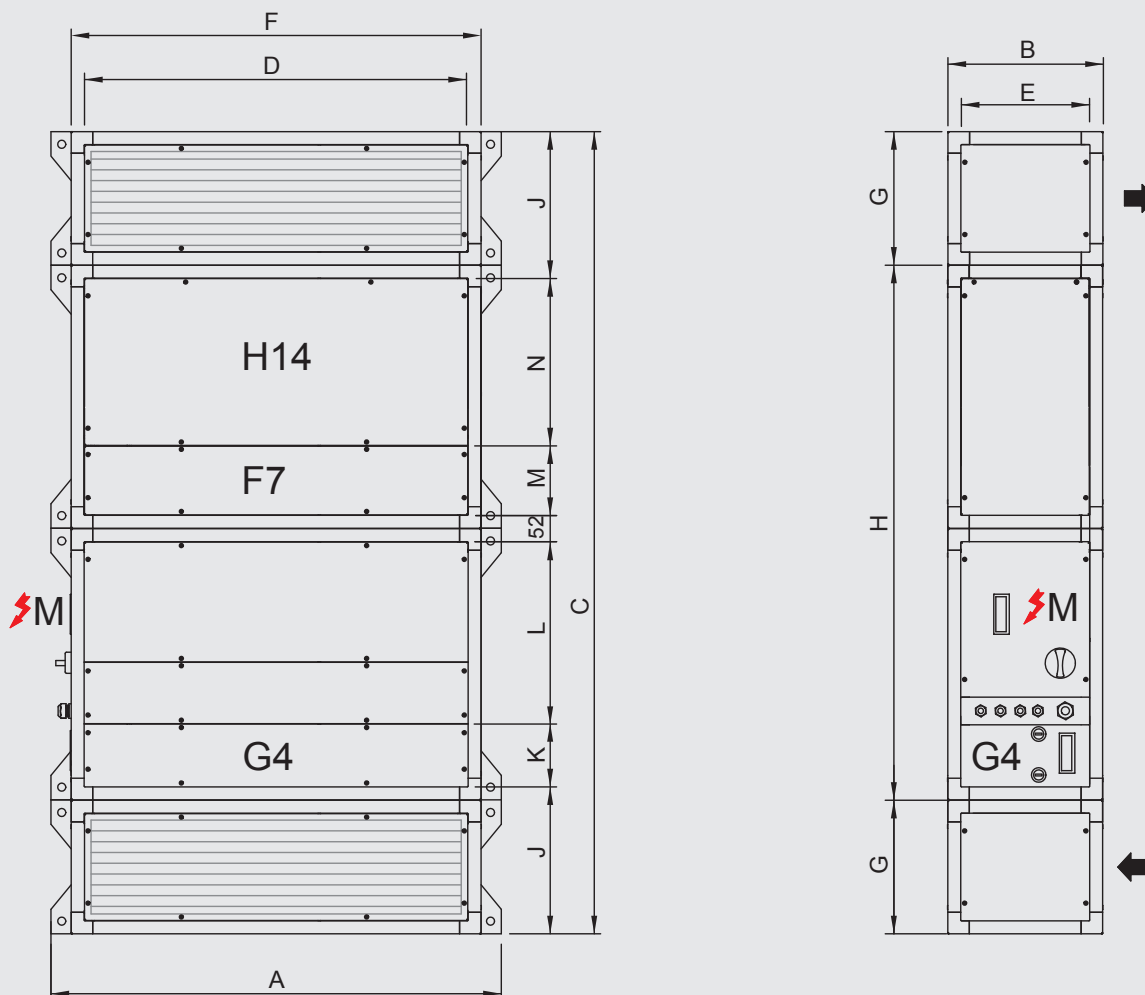


| | | | |
|----|---------------------|-----|----------------------|
| ← | SENTIDO AIRE | H14 | REGISTRO FILTROS H14 |
| ⚡M | CAJA BORNES MOTORES | F7 | REGISTRO FILTROS F7 |
| | | G4 | REGISTRO FILTROS G4 |

| Modelo | A | B | C | D | E | F | G | H | J | K | L | M | N |
|---------|------|-----|------|------|-----|------|-----|------|-----|-----|-----|-----|-----|
| UP 1200 | 822 | 360 | 1874 | 689 | 299 | 750 | 360 | 1514 | 398 | 205 | 485 | 182 | 505 |
| UP 2300 | 1172 | 410 | 1924 | 1039 | 349 | 1100 | 410 | 1514 | 448 | 205 | 485 | 182 | 505 |
| UP 3600 | 1572 | 410 | 1924 | 1439 | 349 | 1500 | 410 | 1514 | 448 | 205 | 485 | 182 | 505 |
| UP 5200 | 1972 | 500 | 2014 | 1839 | 439 | 1900 | 500 | 1514 | 538 | 205 | 485 | 182 | 505 |

UP ECOWATT

Unidad montada en vertical con plenum en aspiración y en descarga (accesorio)
Versión R



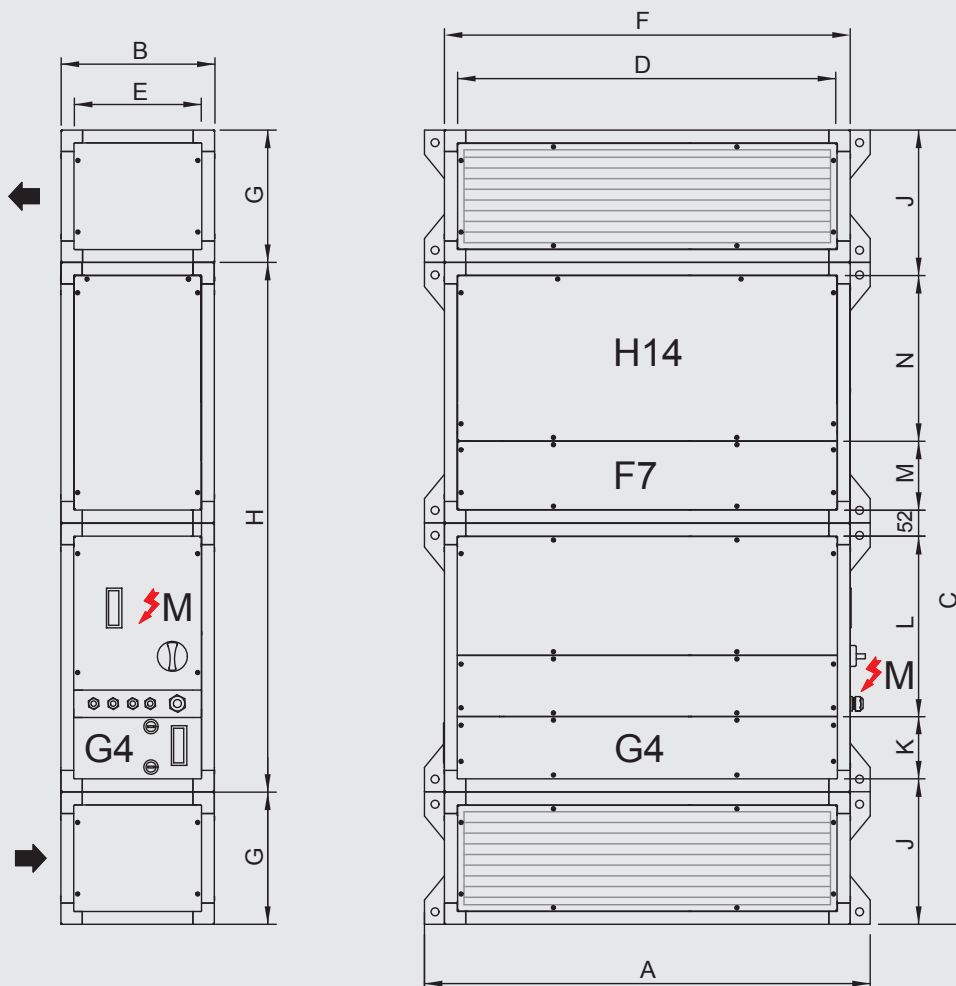
| | | | |
|----|---------------------|-----|----------------------|
| ← | SENTIDO AIRE | H14 | REGISTRO FILTROS H14 |
| ⚡M | CAJA BORNES MOTORES | F7 | REGISTRO FILTROS F7 |
| | | G4 | REGISTRO FILTROS G4 |

| Modelo | A | B | C | D | E | F | G | H | J | K | L | M | N |
|---------|------|-----|------|------|-----|------|-----|------|-----|-----|-----|-----|-----|
| UP 1200 | 822 | 360 | 2241 | 689 | 299 | 750 | 360 | 1521 | 398 | 205 | 485 | 182 | 505 |
| UP 2300 | 1172 | 410 | 2341 | 1039 | 349 | 1100 | 410 | 1521 | 448 | 205 | 485 | 182 | 505 |
| UP 3600 | 1572 | 410 | 2341 | 1439 | 349 | 1500 | 410 | 1521 | 448 | 205 | 485 | 182 | 505 |
| UP 5200 | 1972 | 500 | 2341 | 1839 | 439 | 1900 | 410 | 1521 | 538 | 205 | 485 | 182 | 505 |

UP ECOWATT

Unidad montada en vertical con plenum en aspiración y en descarga (accesorios)

Versión L



SENTIDO AIRE
 CAJA BORNES MOTORES
 H14 REGISTRO FILTROS H14
 F7 REGISTRO FILTROS F7
 G4 REGISTRO FILTROS G4

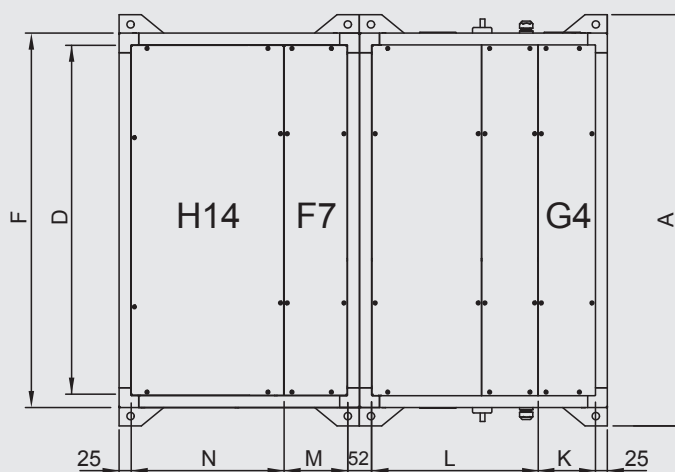
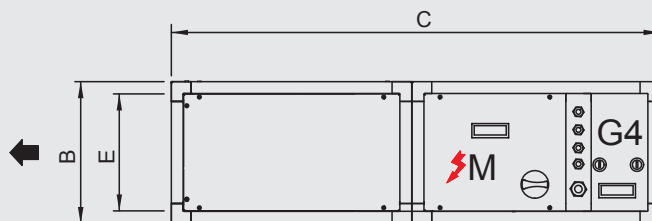
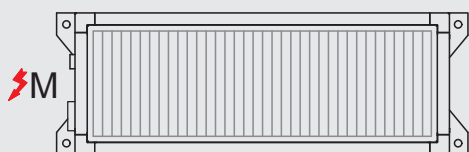
| Modelo | A | B | C | D | E | F | G | H | J | K | L | M | N |
|---------|------|-----|------|------|-----|------|-----|------|-----|-----|-----|-----|-----|
| UP 1200 | 822 | 360 | 2241 | 689 | 299 | 750 | 360 | 1521 | 398 | 205 | 485 | 182 | 505 |
| UP 2300 | 1172 | 410 | 2341 | 1039 | 349 | 1100 | 410 | 1521 | 448 | 205 | 485 | 182 | 505 |
| UP 3600 | 1572 | 410 | 2341 | 1439 | 349 | 1500 | 410 | 1521 | 448 | 205 | 485 | 182 | 505 |
| UP 5200 | 1972 | 500 | 2341 | 1839 | 439 | 1900 | 410 | 1521 | 538 | 205 | 485 | 182 | 505 |

UP ECOWATT

Unidad montada en horizontal

Versión L: Conexión eléctrica por lado izquierdo

Unidad vista desde la aspiración



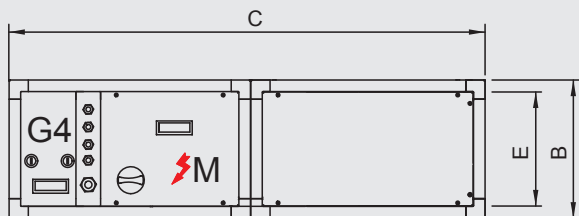
| | | | |
|--|---------------------|-----|----------------------|
| | SENTIDO AIRE | H14 | REGISTRO FILTROS H14 |
| | CAJA BORNES MOTORES | F7 | REGISTRO FILTROS F7 |
| | | G4 | REGISTRO FILTROS G4 |

| Modelo | A | B | C | D | E | F | K | L | M | N |
|---------|------|-----|------|------|-----|------|-----|-----|-----|-----|
| UP 1200 | 822 | 360 | 1514 | 689 | 299 | 750 | 205 | 485 | 182 | 505 |
| UP 2300 | 1172 | 410 | 1514 | 1039 | 349 | 1100 | 205 | 485 | 182 | 505 |
| UP 3600 | 1572 | 410 | 1514 | 1439 | 349 | 1500 | 205 | 485 | 182 | 505 |
| UP 5200 | 1972 | 500 | 1514 | 1839 | 439 | 1900 | 205 | 485 | 182 | 505 |

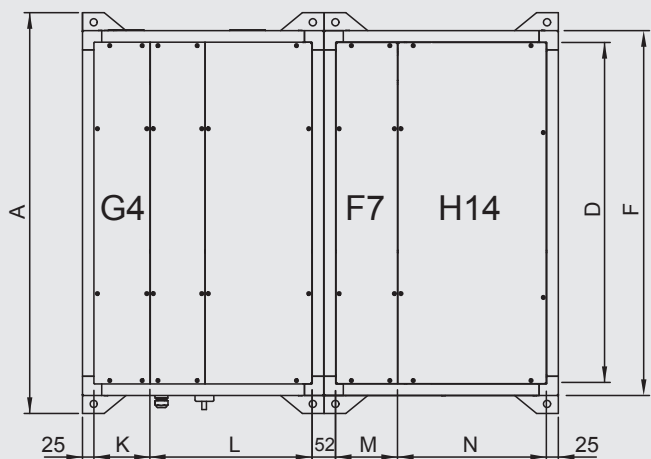
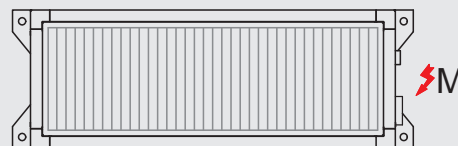
UP ECOWATT

Unidad montada en horizontal

Versión R: Conexión eléctrica por lado derecho



Unidad vista desde la aspiración

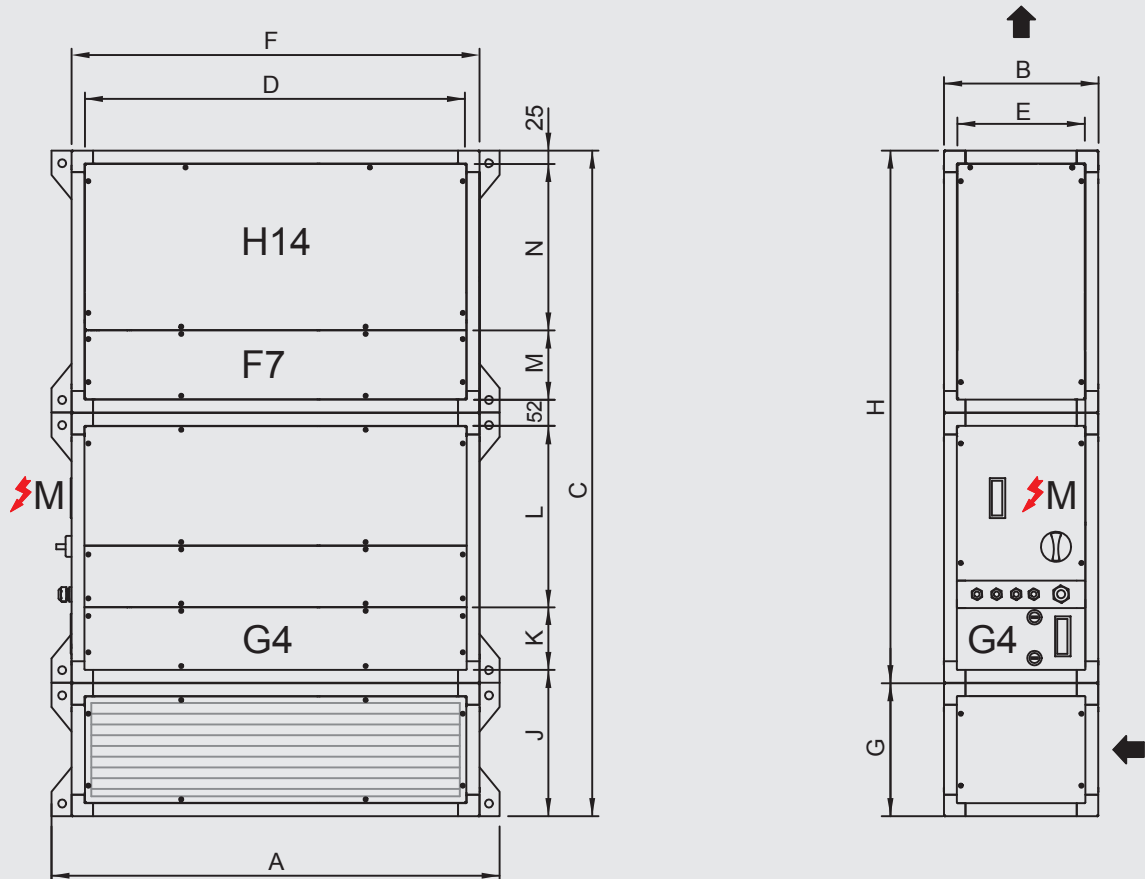


- ← SENTIDO AIRE
- ⚡ M CAJA BORNES MOTORES
- H14 REGISTRO FILTROS H14
- F7 REGISTRO FILTROS F7
- G4 REGISTRO FILTROS G4

| Modelo | A | B | C | D | E | F | K | L | M | N |
|---------|------|-----|------|------|-----|------|-----|-----|-----|-----|
| UP 1200 | 822 | 360 | 1514 | 689 | 299 | 750 | 205 | 485 | 182 | 505 |
| UP 2300 | 1172 | 410 | 1514 | 1039 | 349 | 1100 | 205 | 485 | 182 | 505 |
| UP 3600 | 1572 | 410 | 1514 | 1439 | 349 | 1500 | 205 | 485 | 182 | 505 |
| UP 5200 | 1972 | 500 | 1514 | 1839 | 439 | 1900 | 205 | 485 | 182 | 505 |

UP PRO-REG

Unidad montada en vertical con plénum en aspiración (accesorio)
Versión R



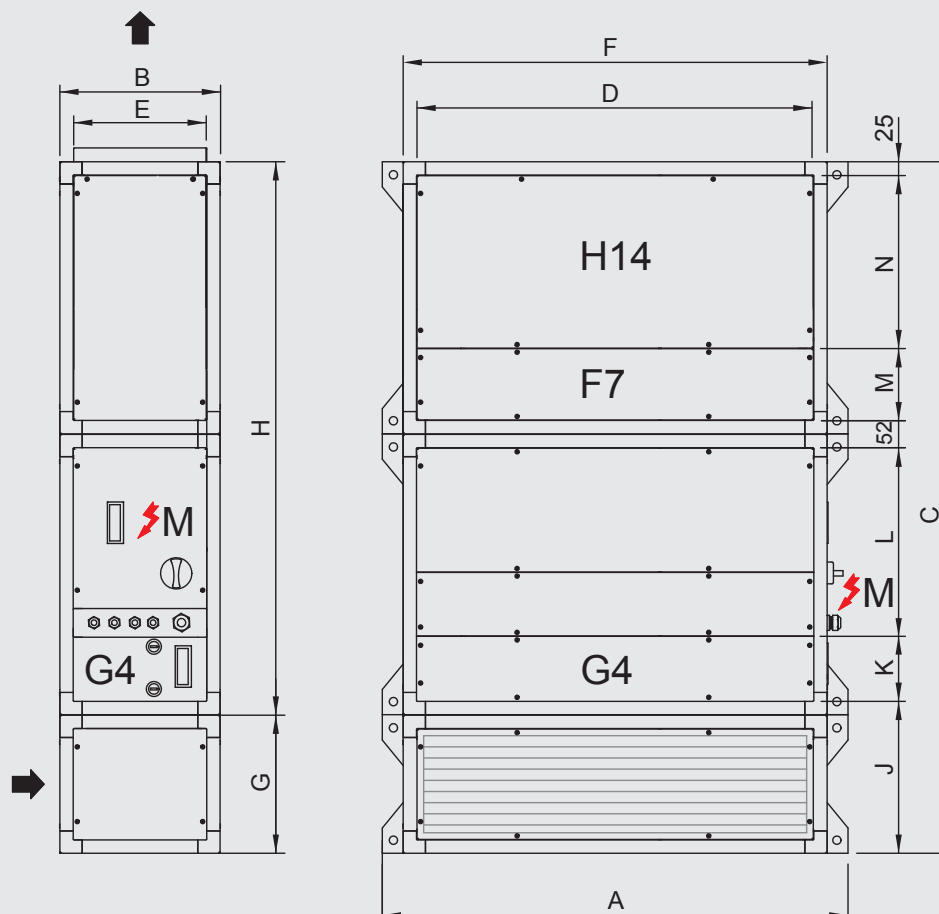
SENTIDO AIRE
 CAJA BORNES MOTORES
 H14 REGISTRO FILTROS H14
 F7 REGISTRO FILTROS F7
 G4 REGISTRO FILTROS G4

| Modelo | A | B | C | D | E | F | G | H | J | K | L | M | N |
|---------|------|-----|------|------|-----|------|-----|------|-----|-----|-----|-----|-----|
| UP 1200 | 822 | 360 | 1874 | 689 | 299 | 750 | 360 | 1514 | 398 | 205 | 485 | 182 | 505 |
| UP 2300 | 1172 | 410 | 1924 | 1039 | 349 | 1100 | 410 | 1514 | 448 | 205 | 485 | 182 | 505 |
| UP 3600 | 1572 | 410 | 1924 | 1439 | 349 | 1500 | 410 | 1514 | 448 | 205 | 485 | 182 | 505 |
| UP 5200 | 1972 | 500 | 2014 | 1839 | 439 | 1900 | 500 | 1514 | 538 | 205 | 485 | 182 | 505 |

UP PRO-REG

Unidad montada en vertical con plénum en aspiración (accesorio)

Versión L

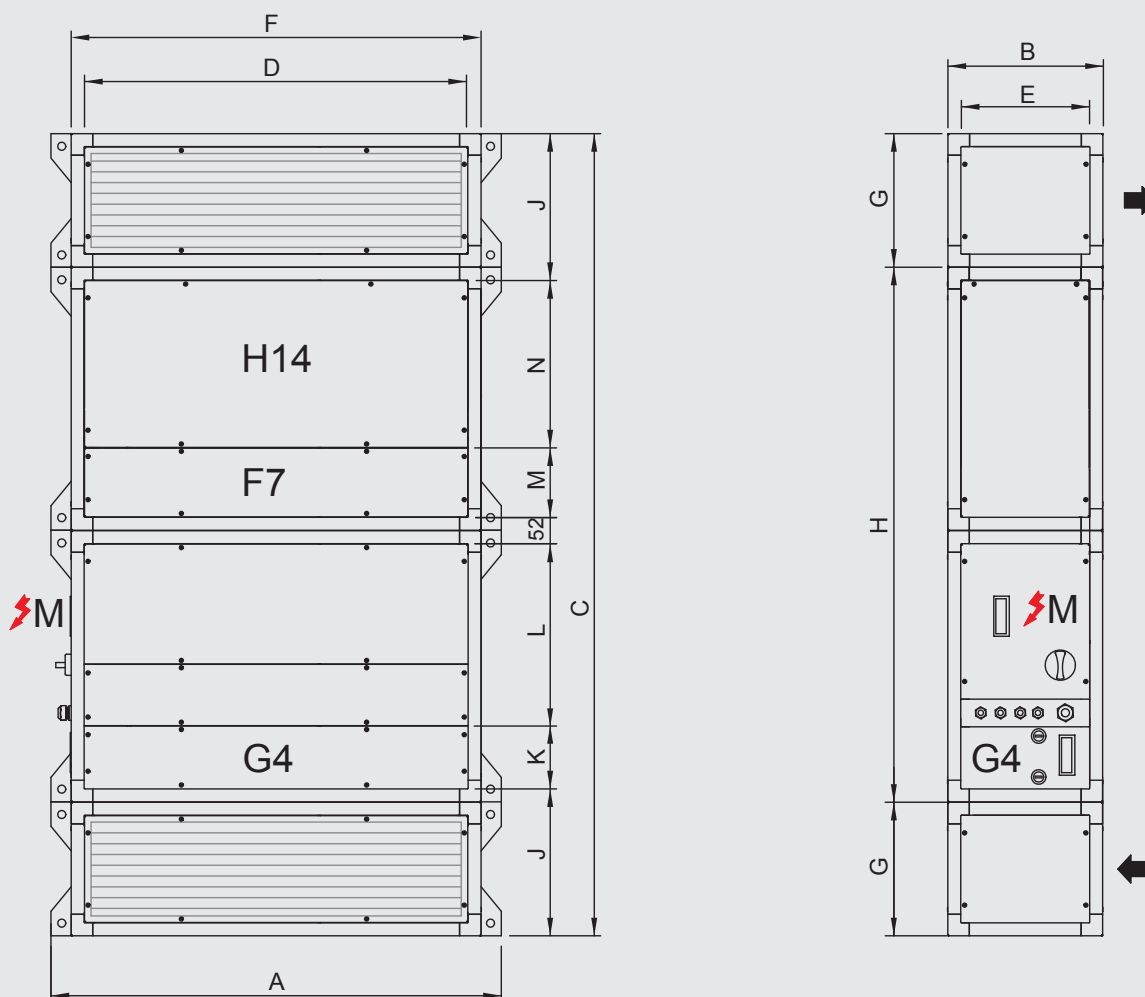


SENTIDO AIRE
 CAJA BORNES MOTORES
 H14 REGISTRO FILTROS H14
 F7 REGISTRO FILTROS F7
 G4 REGISTRO FILTROS G4

| Modelo | A | B | C | D | E | F | G | H | J | K | L | M | N |
|---------|------|-----|------|------|-----|------|-----|------|-----|-----|-----|-----|-----|
| UP 1200 | 822 | 360 | 1874 | 689 | 299 | 750 | 360 | 1514 | 398 | 205 | 485 | 182 | 505 |
| UP 2300 | 1172 | 410 | 1924 | 1039 | 349 | 1100 | 410 | 1514 | 448 | 205 | 485 | 182 | 505 |
| UP 3600 | 1572 | 410 | 1924 | 1439 | 349 | 1500 | 410 | 1514 | 448 | 205 | 485 | 182 | 505 |
| UP 5200 | 1972 | 500 | 2014 | 1839 | 439 | 1900 | 500 | 1514 | 538 | 205 | 485 | 182 | 505 |

UP PRO-REG

Unidad montada en vertical con plenum en aspiración y en descarga (accesorio)
Versión R



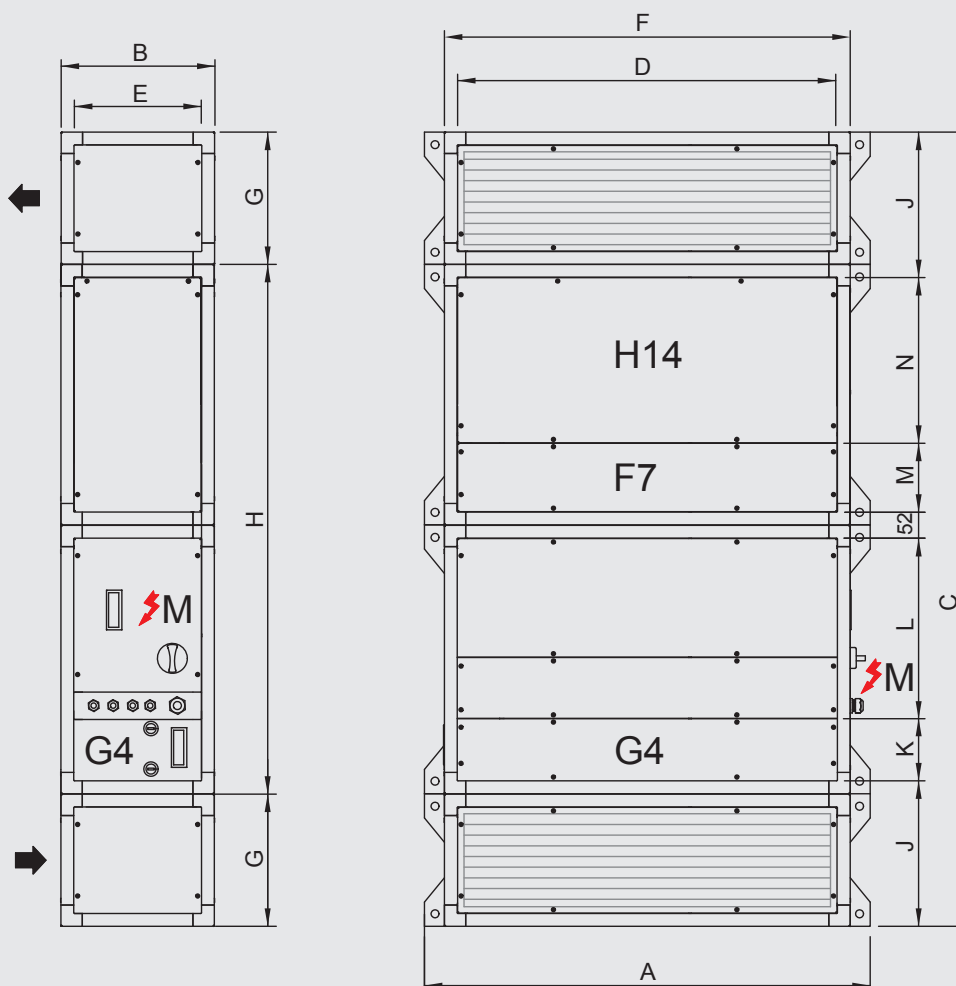
| | | | |
|----|---------------------|-----|----------------------|
| ← | SENTIDO AIRE | H14 | REGISTRO FILTROS H14 |
| ⚡M | CAJA BORNES MOTORES | F7 | REGISTRO FILTROS F7 |
| | | G4 | REGISTRO FILTROS G4 |

| Modelo | A | B | C | D | E | F | G | H | J | K | L | M | N |
|---------|------|-----|------|------|-----|------|-----|------|-----|-----|-----|-----|-----|
| UP 1200 | 822 | 360 | 2241 | 689 | 299 | 750 | 360 | 1521 | 398 | 205 | 485 | 182 | 505 |
| UP 2300 | 1172 | 410 | 2341 | 1039 | 349 | 1100 | 410 | 1521 | 448 | 205 | 485 | 182 | 505 |
| UP 3600 | 1572 | 410 | 2341 | 1439 | 349 | 1500 | 410 | 1521 | 448 | 205 | 485 | 182 | 505 |
| UP 5200 | 1972 | 500 | 2341 | 1839 | 439 | 1900 | 410 | 1521 | 538 | 205 | 485 | 182 | 505 |

UP PRO-REG

Unidad montada en vertical con plenum en aspiración y en descarga (accesorios)

Versión L



SENTIDO AIRE
 CAJA BORNES MOTORES
 H14 REGISTRO FILTROS H14
 F7 REGISTRO FILTROS F7
 G4 REGISTRO FILTROS G4

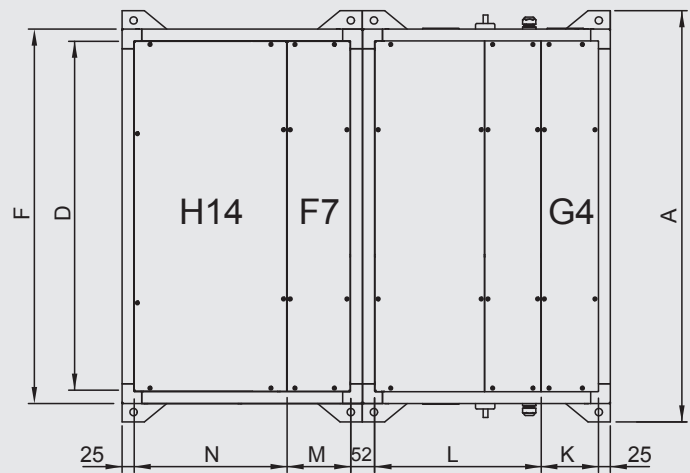
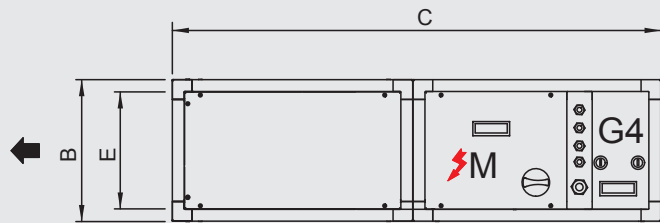
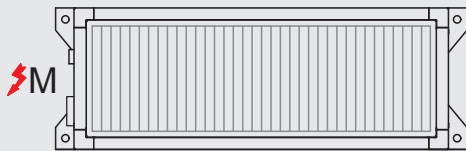
| Modelo | A | B | C | D | E | F | G | H | J | K | L | M | N |
|---------|------|-----|------|------|-----|------|-----|------|-----|-----|-----|-----|-----|
| UP 1200 | 822 | 360 | 2241 | 689 | 299 | 750 | 360 | 1521 | 398 | 205 | 485 | 182 | 505 |
| UP 2300 | 1172 | 410 | 2341 | 1039 | 349 | 1100 | 410 | 1521 | 448 | 205 | 485 | 182 | 505 |
| UP 3600 | 1572 | 410 | 2341 | 1439 | 349 | 1500 | 410 | 1521 | 448 | 205 | 485 | 182 | 505 |
| UP 5200 | 1972 | 500 | 2341 | 1839 | 439 | 1900 | 410 | 1521 | 538 | 205 | 485 | 182 | 505 |

UP PRO-REG

Unidad montada en horizontal

Versión L: Conexión eléctrica por lado izquierdo

Unidad vista desde la aspiración



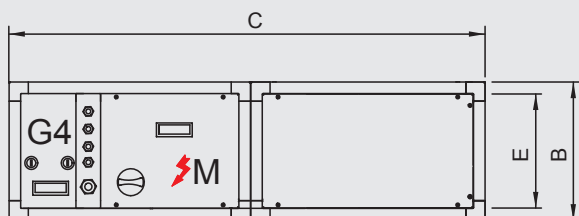
| | | | |
|--|---------------------|-----|----------------------|
| | SENTIDO AIRE | H14 | REGISTRO FILTROS H14 |
| | CAJA BORNES MOTORES | F7 | REGISTRO FILTROS F7 |
| | | G4 | REGISTRO FILTROS G4 |

| Modelo | A | B | C | D | E | F | K | L | M | N |
|---------|------|-----|------|------|-----|------|-----|-----|-----|-----|
| UP 1200 | 822 | 360 | 1514 | 689 | 299 | 750 | 205 | 485 | 182 | 505 |
| UP 2300 | 1172 | 410 | 1514 | 1039 | 349 | 1100 | 205 | 485 | 182 | 505 |
| UP 3600 | 1572 | 410 | 1514 | 1439 | 349 | 1500 | 205 | 485 | 182 | 505 |
| UP 5200 | 1972 | 500 | 1514 | 1839 | 439 | 1900 | 205 | 485 | 182 | 505 |

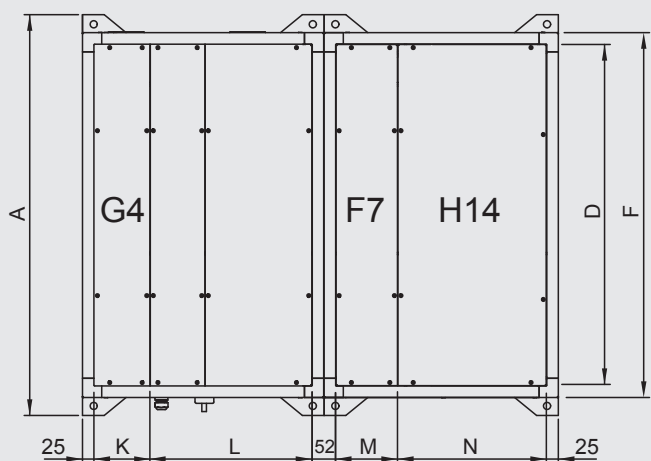
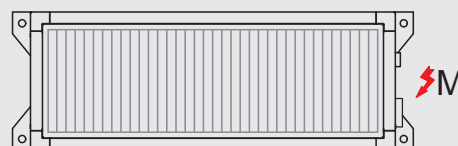
UP PRO-REG

Unidad montada en horizontal

Versión R: Conexión eléctrica por lado derecho



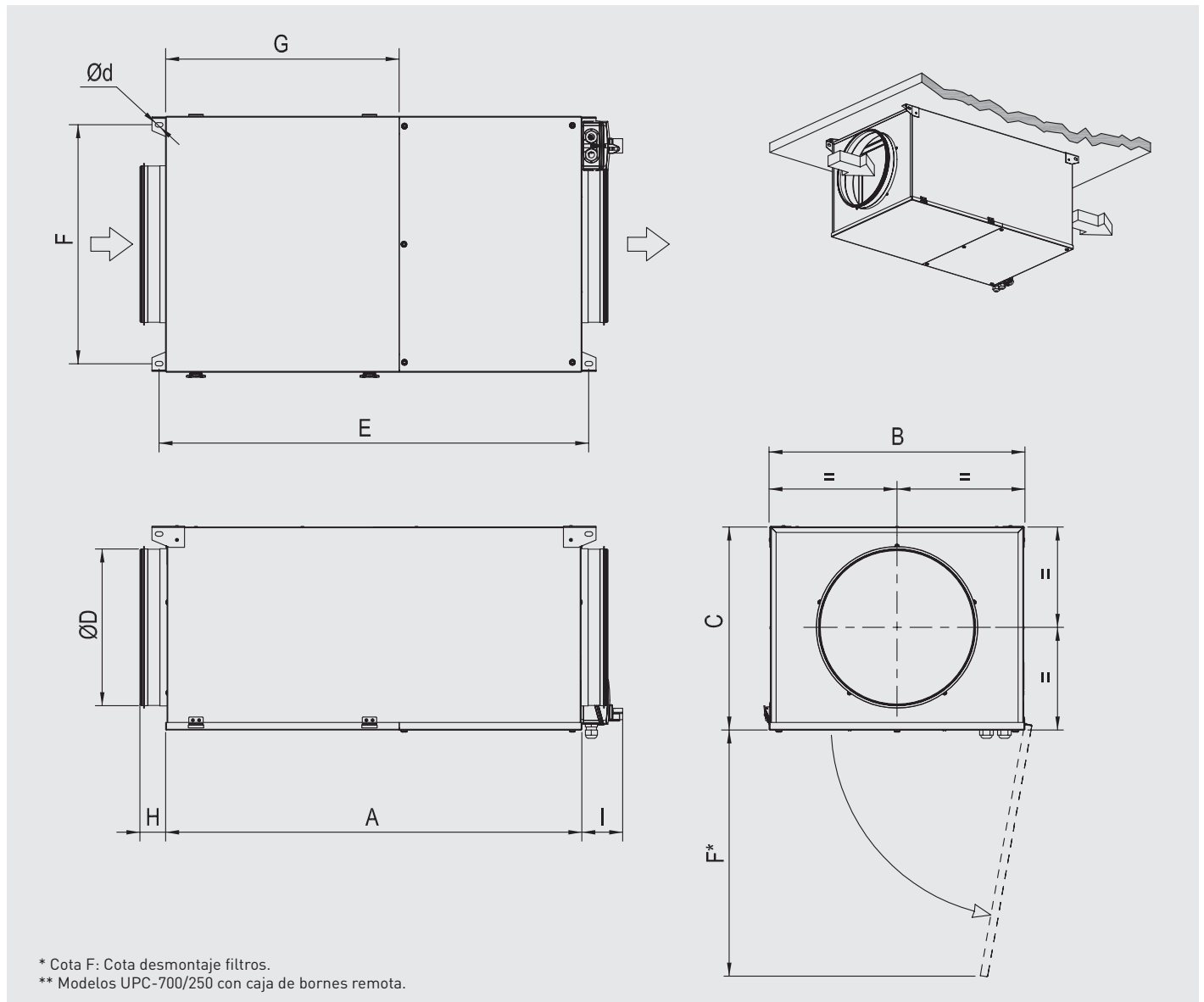
Unidad vista desde la aspiración



- ← SENTIDO AIRE
- ⚡ M CAJA BORNES MOTORES
- H14 REGISTRO FILTROS H14
- F7 REGISTRO FILTROS F7
- G4 REGISTRO FILTROS G4

| Modelo | A | B | C | D | E | F | K | L | M | N |
|---------|------|-----|------|------|-----|------|-----|-----|-----|-----|
| UP 1200 | 822 | 360 | 1514 | 689 | 299 | 750 | 205 | 485 | 182 | 505 |
| UP 2300 | 1172 | 410 | 1514 | 1039 | 349 | 1100 | 205 | 485 | 182 | 505 |
| UP 3600 | 1572 | 410 | 1514 | 1439 | 349 | 1500 | 205 | 485 | 182 | 505 |
| UP 5200 | 1972 | 500 | 1514 | 1839 | 439 | 1900 | 205 | 485 | 182 | 505 |

UPC ECOWATT

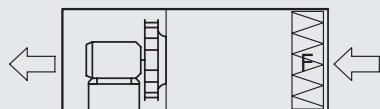


| Modelo | A | B | C | D | E | F | d | G | H | I |
|-----------------------------|------|-----|-----|-----|------|-----|---|-----|----|------|
| UPC-700/250 F7 H13 ECOWATT | 874 | 413 | 334 | 250 | 900 | 400 | 9 | 573 | 52 | 52** |
| UPC-1000/315 F7 H13 ECOWATT | 940 | 513 | 409 | 315 | 967 | 500 | 9 | 573 | 52 | 77 |
| UPC-1600/400 F7 H13 ECOWATT | 1036 | 613 | 459 | 400 | 1063 | 600 | 9 | 573 | 52 | 77 |

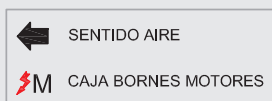
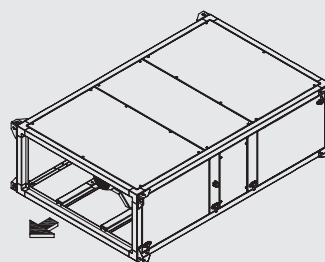
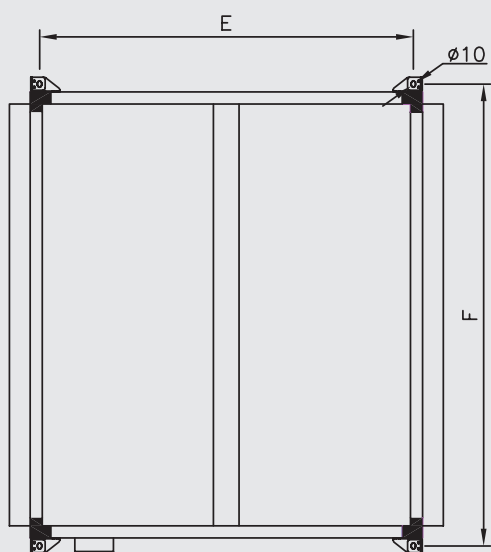
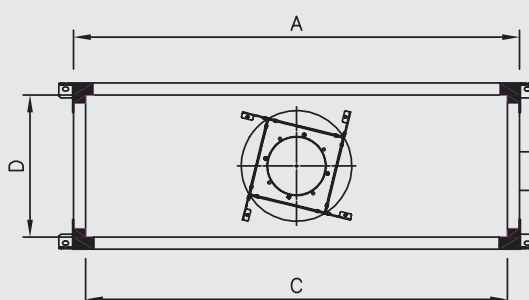
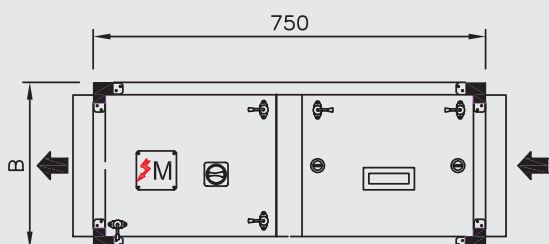
UTBS ECOWATT

Versión corta: Filtro único de tipo M5

Configuración sin baterías



F: Filtro F5

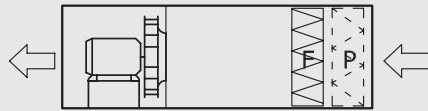


| Modelo | Externas | | Conexiones | | Soportes | | Peso (kg) |
|--------|----------|-----|------------|-----|----------|------|-----------|
| | A | B | C | D | E | F | |
| UTBS-2 | 750 | 360 | 690 | 300 | 704 | 790 | 53 |
| UTBS-3 | 1100 | 410 | 1040 | 350 | 704 | 1140 | 86 |
| UTBS-5 | 1500 | 410 | 1440 | 350 | 704 | 1540 | 110 |
| UTBS-8 | 1900 | 500 | 1840 | 440 | 704 | 1940 | 135 |

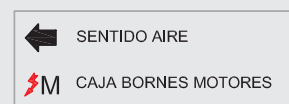
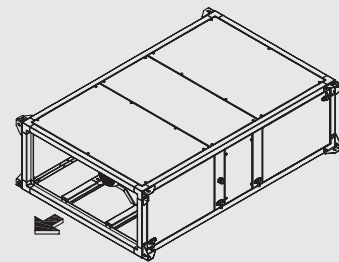
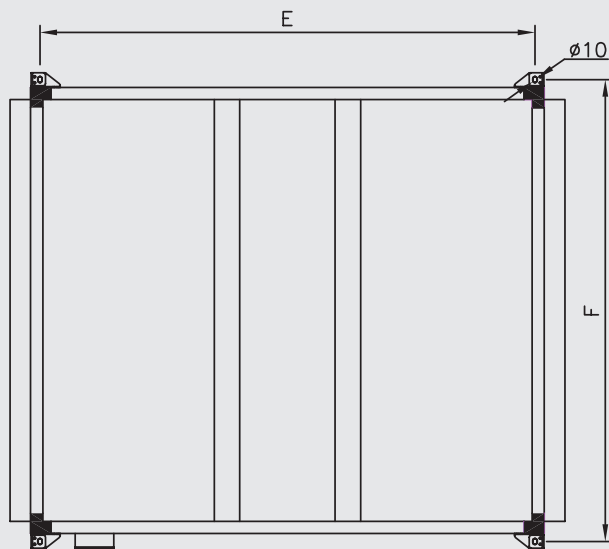
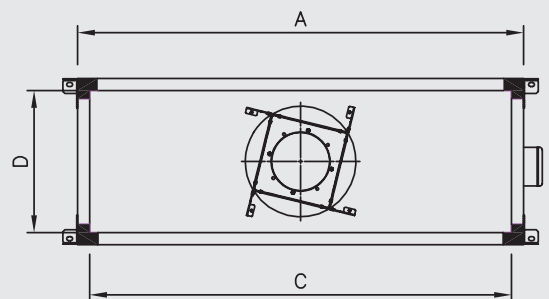
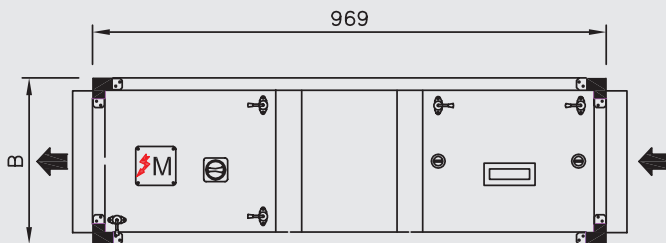
UTBS ECOWATT

Versión larga: Filtro F7 con capacidad para montaje filtro adicional

Configuración sin baterías



P: Prefiltro G4/M5 (accesorio)
F: Filtro F7

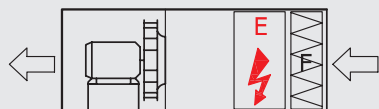


| Modelo | Externas | | Conexiones | | Soportes | | Peso (kg) |
|--------|----------|-----|------------|-----|----------|------|-----------|
| | A | B | C | D | E | F | |
| UTBS-2 | 750 | 360 | 690 | 300 | 940 | 790 | 63 |
| UTBS-3 | 1100 | 410 | 1040 | 350 | 940 | 1140 | 96 |
| UTBS-5 | 1500 | 410 | 1440 | 350 | 940 | 1540 | 125 |
| UTBS-8 | 1900 | 500 | 1840 | 440 | 940 | 1940 | 155 |

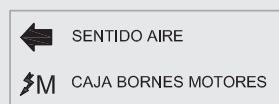
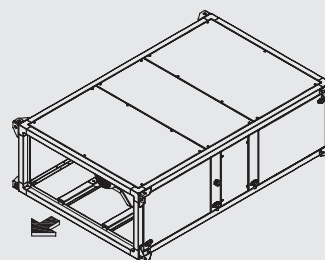
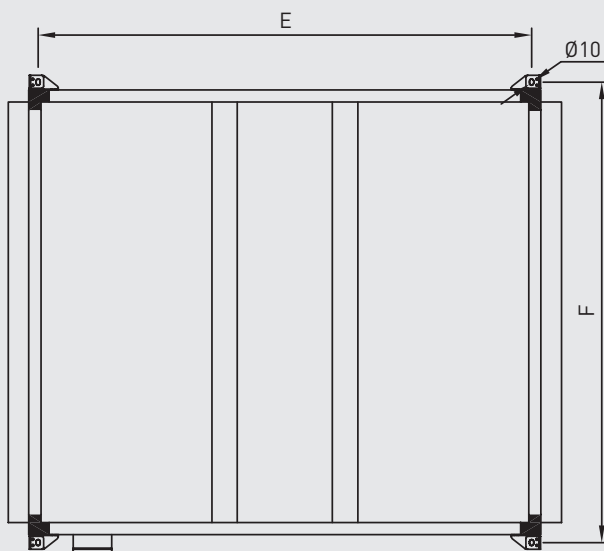
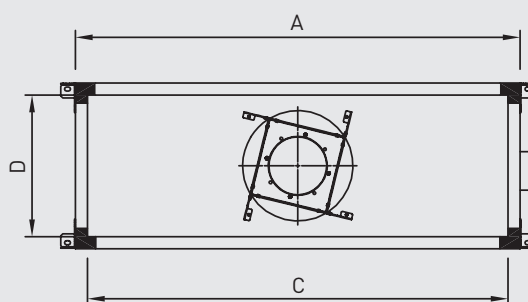
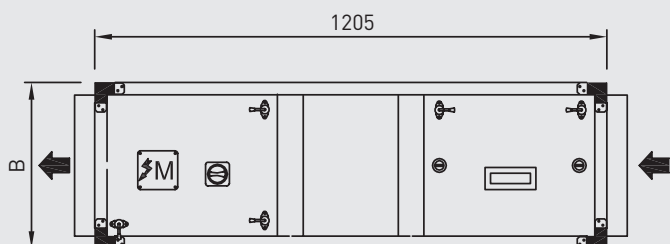
UTBS ECOWATT

Versión corta: Filtro único de tipo M5

Configuración con batería eléctrica



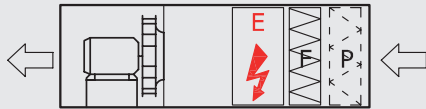
F: Filtro F5
E: Batería eléctrica (E1 a E7)



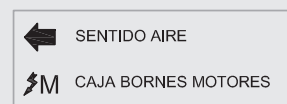
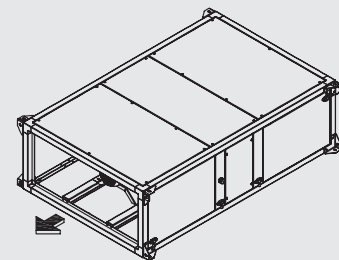
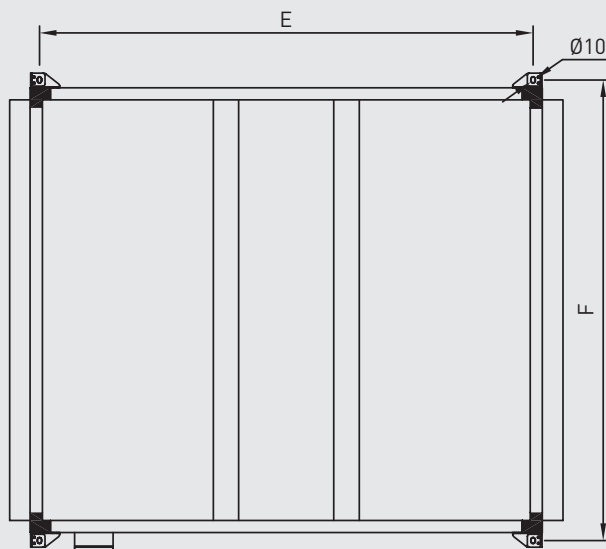
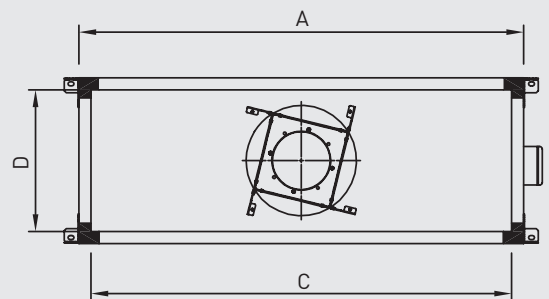
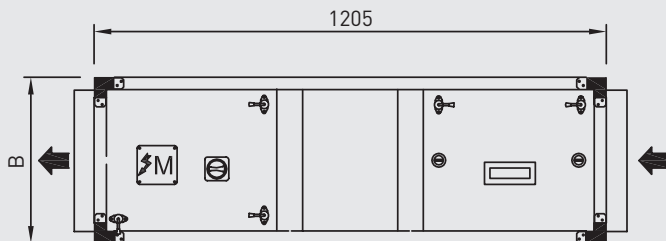
| Modelo | Externas | | Conexiones | | Soportes | | Peso (kg) |
|--------|----------|-----|------------|-----|----------|------|-----------|
| | A | B | C | D | E | F | |
| UTBS-2 | 750 | 360 | 690 | 300 | 1159 | 790 | 86 |
| UTBS-3 | 1100 | 410 | 1040 | 350 | 1159 | 1140 | 118 |
| UTBS-5 | 1500 | 410 | 1440 | 350 | 1159 | 1540 | 174 |
| UTBS-8 | 1900 | 500 | 1840 | 440 | 1159 | 1940 | 218 |

UTBS ECOWATT

Versión larga: Filtro F7 con capacidad para montaje filtro adicional
Configuración con batería eléctrica



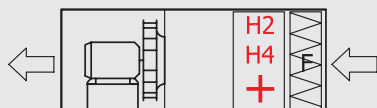
P: Prefiltro G4/M5 (accesorio)
F: Filtro F7
E: Batería eléctrica (E4,5 a E45)



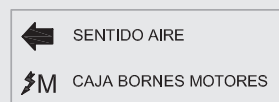
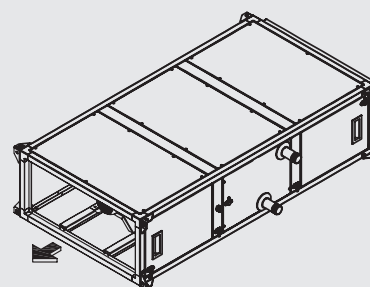
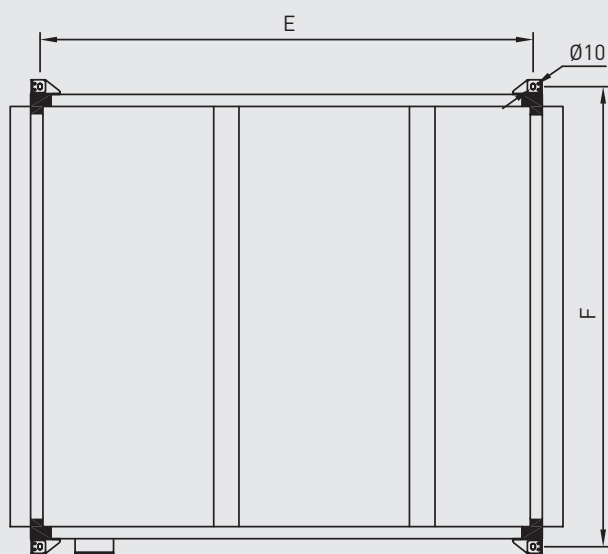
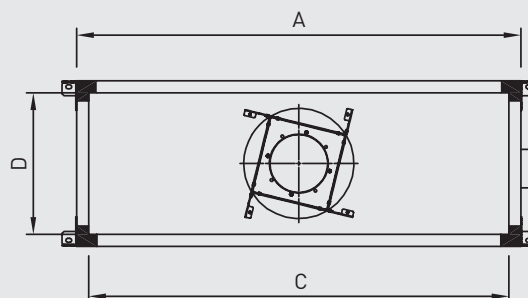
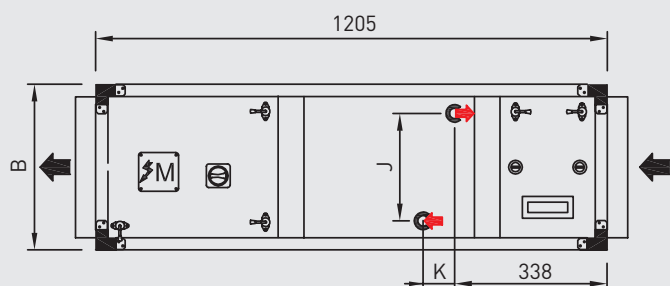
| Modelo | Externas | | Conexiones | | Soportes | | Peso (kg) |
|--------|----------|-----|------------|-----|----------|------|-----------|
| | A | B | C | D | E | F | |
| UTBS-2 | 750 | 360 | 690 | 300 | 1159 | 790 | 86 |
| UTBS-3 | 1100 | 410 | 1040 | 350 | 1159 | 1140 | 118 |
| UTBS-5 | 1500 | 410 | 1440 | 350 | 1159 | 1540 | 174 |
| UTBS-8 | 1900 | 500 | 1840 | 440 | 1159 | 1940 | 218 |

UTBS ECOWATT

Versión corta: Filtro único de tipo M5
Configuración con batería de agua caliente



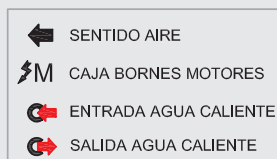
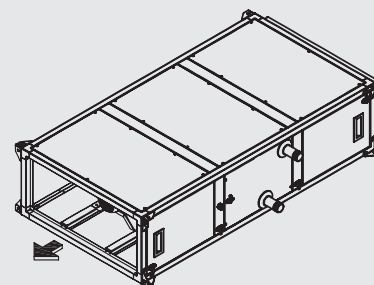
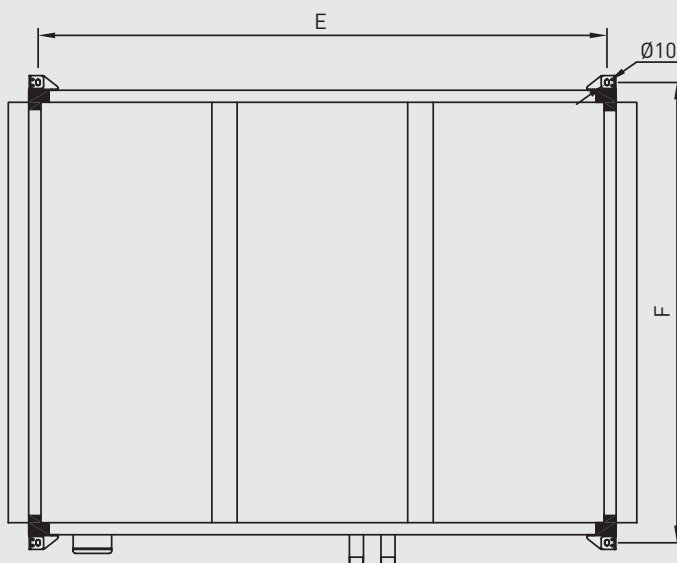
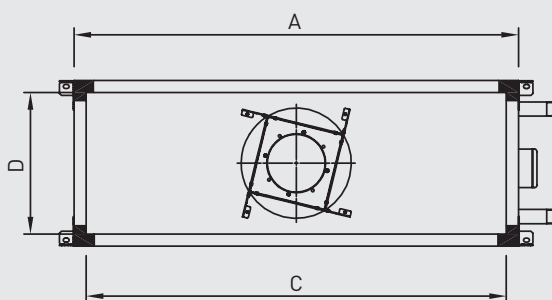
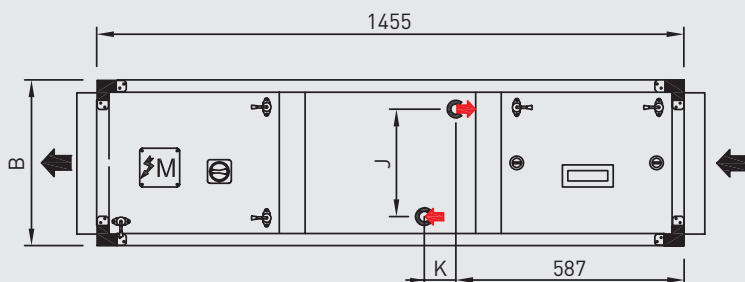
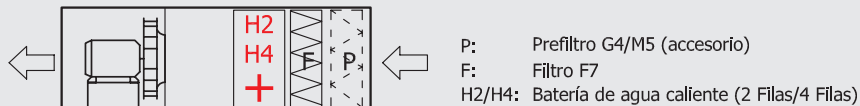
F: Filtro F5
H2/H4: Batería de agua caliente (2 Filas/4 Filas)



| Modelo | Externas | | Conexiones | | Soportes | | Baterías | | | Peso (kg) | |
|--------|----------|-----|------------|-----|----------|------|----------|----|------------|-----------|-----|
| | A | B | C | D | E | F | J | K | Conexiones | H2 | H4 |
| UTBS-2 | 750 | 360 | 690 | 300 | 1159 | 790 | 205 | 80 | 1-1/4" | 97 | 100 |
| UTBS-3 | 1100 | 410 | 1040 | 350 | 1159 | 1140 | 255 | 80 | 1-1/4" | 131 | 135 |
| UTBS-5 | 1500 | 410 | 1440 | 350 | 1159 | 1540 | 255 | 80 | 1-1/4" | 188 | 204 |
| UTBS-8 | 1900 | 500 | 1840 | 440 | 1159 | 1940 | 330 | 80 | 1-1/2" | 233 | 245 |

UTBS ECOWATT

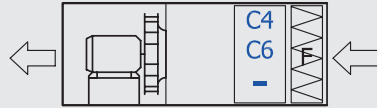
Versión larga: Filtro F7 con capacidad para montaje filtro adicional
Configuración con batería de agua caliente



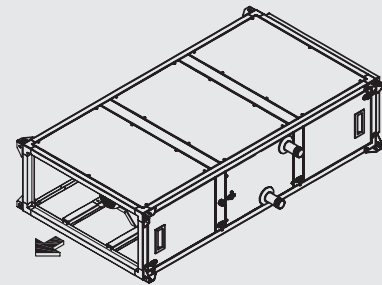
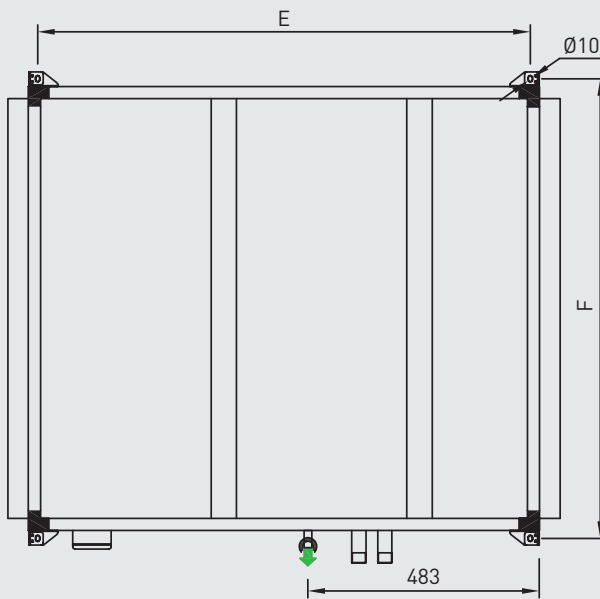
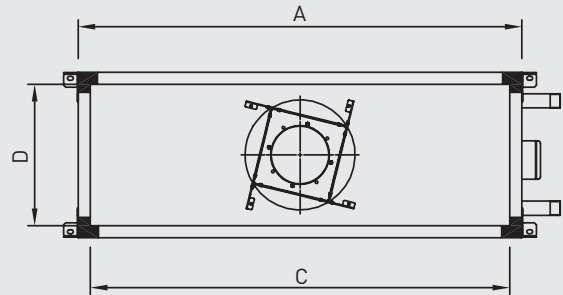
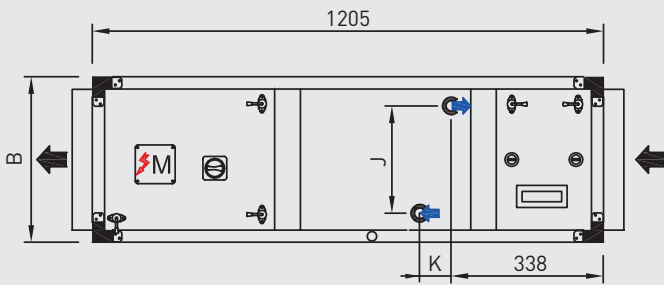
| Modelo | Externas | | Conexiones | | Soportes | | Baterías | | | Peso (kg) | |
|--------|----------|-----|------------|-----|----------|------|----------|----|------------|-----------|-----|
| | A | B | C | D | E | F | J | K | Conexiones | H2 | H4 |
| UTBS-2 | 750 | 360 | 690 | 300 | 1409 | 790 | 205 | 80 | 1-1/4" | 97 | 100 |
| UTBS-3 | 1100 | 410 | 1040 | 350 | 1409 | 1140 | 255 | 80 | 1-1/4" | 131 | 135 |
| UTBS-5 | 1500 | 410 | 1440 | 350 | 1409 | 1540 | 255 | 80 | 1-1/4" | 188 | 204 |
| UTBS-8 | 1900 | 500 | 1840 | 440 | 1409 | 1940 | 330 | 80 | 1-1/2" | 233 | 245 |

UTBS ECOWATT

Versión corta: Filtro único de tipo M5
Configuración con batería de agua fría



F: Filtro F5
C4/C6: Batería de agua fría (4 Filas/6 Filas)



- SENTIDO AIRE
- CAJA BORNES MOTORES
- ENTRADA AGUA FRÍA
- SALIDA AGUA FRÍA
- SALIDA CONDENSADOS 3/4"

| Modelo | Externas | | Conexiones | | Soportes | | Baterías | | | Peso (kg) | | |
|--------|----------|-----|------------|-----|----------|------|----------|-----------|------------|-----------|-----|-----|
| | A | B | C | D | E | F | J | K (C4/C6) | Conexiones | C4 | C6 | |
| UTBS-2 | 750 | 360 | 690 | 300 | 1159 | 790 | 205 | 80 | 120 | 1-1/4" | 105 | 107 |
| UTBS-3 | 1100 | 410 | 1040 | 350 | 1159 | 1140 | 255 | 80 | 120 | 1-1/4" | 142 | 147 |
| UTBS-5 | 1500 | 410 | 1440 | 350 | 1159 | 1540 | 255 | 80 | 120 | 1-1/4" | 204 | 210 |
| UTBS-8 | 1900 | 500 | 1840 | 440 | 1159 | 1940 | 330 | 80 | 120 | 1-1/2" | 258 | 268 |

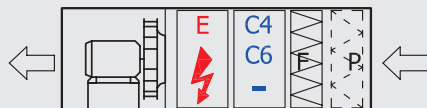
UTBS ECOWATT

Versión larga: Filtro F7 con capacidad para montaje filtro adicional

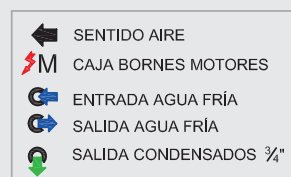
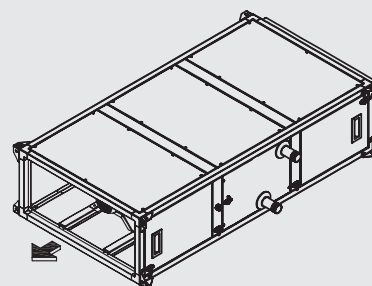
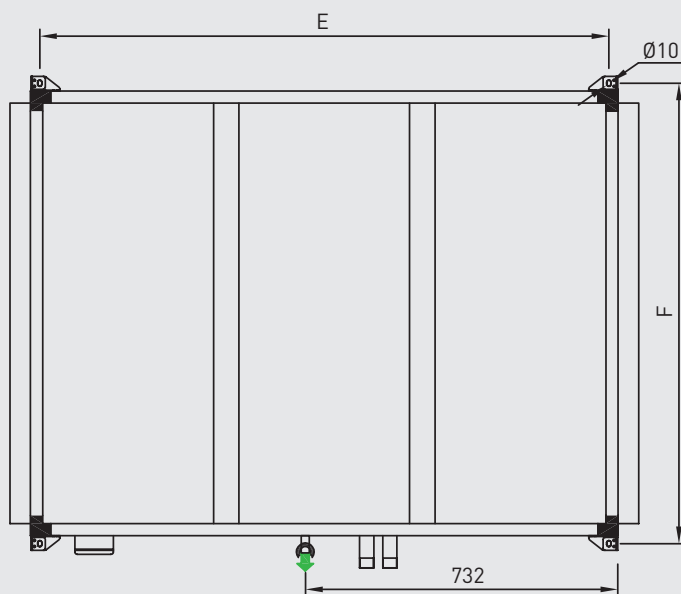
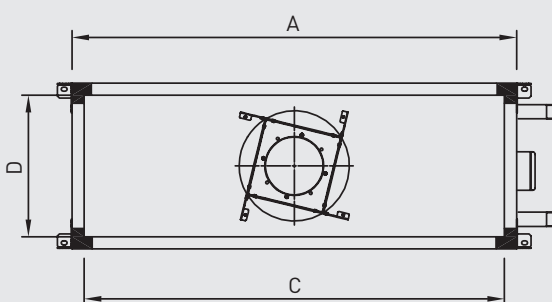
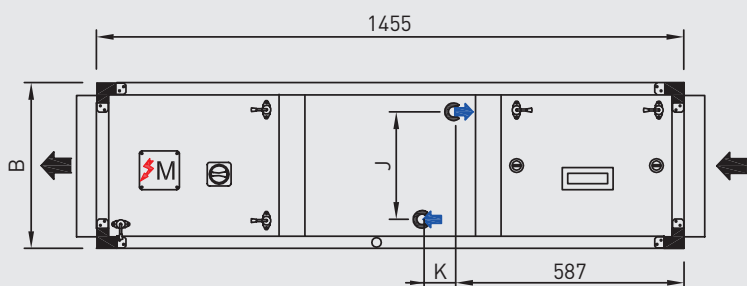
Configuración con batería de agua fría



P: Prefiltro G4/M5 (accesorio)
F: Filtro F7
C4/C6: Batería de agua fría (4 Filas/6 Filas)



P: Prefiltro G4/M5 (accesorio)
F: Filtro F7
C4/C6: Batería de agua fría (4 Filas/6 Filas)
E: Batería eléctrica

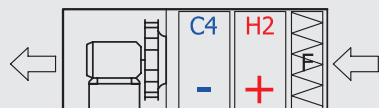


| Modelo | Externas | | Conexiones | | Soportes | | Baterías | | | Peso (kg) | | |
|--------|----------|-----|------------|-----|----------|------|----------|-----------|------------|-----------|-----|-----|
| | A | B | C | D | E | F | J | K (C4/C6) | Conexiones | C4 | C6 | |
| UTBS-2 | 750 | 360 | 690 | 300 | 1409 | 790 | 205 | 80 | 120 | 1-1/4" | 105 | 107 |
| UTBS-3 | 1100 | 410 | 1040 | 350 | 1409 | 1140 | 255 | 80 | 120 | 1-1/4" | 142 | 147 |
| UTBS-5 | 1500 | 410 | 1440 | 350 | 1409 | 1540 | 255 | 80 | 120 | 1-1/4" | 204 | 210 |
| UTBS-8 | 1900 | 500 | 1840 | 440 | 1409 | 1940 | 330 | 80 | 120 | 1-1/2" | 258 | 268 |

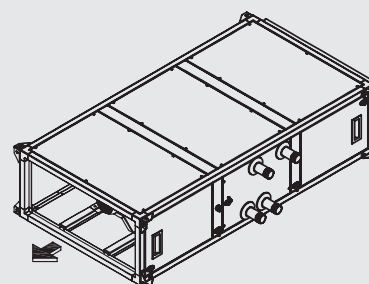
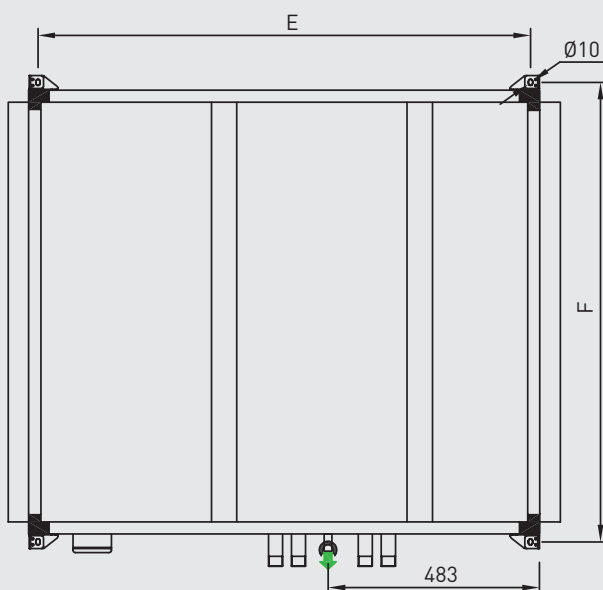
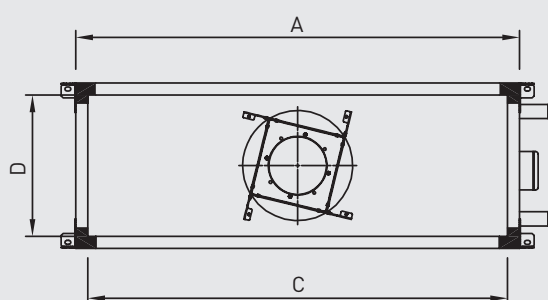
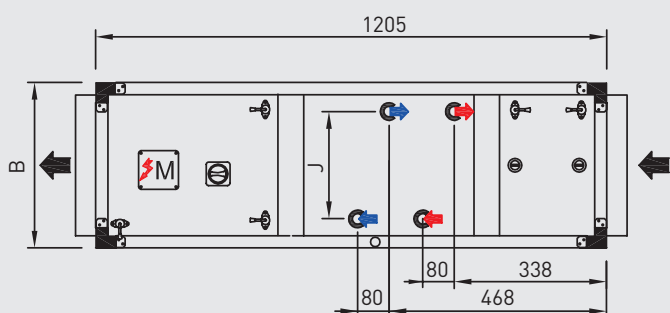
UTBS ECOWATT

Versión corta: Filtro único de tipo M5

Configuración con batería de agua fría C4 y batería de agua caliente H2



- F: Filtro F5
- H2: Batería de agua caliente (2 filas)
- C4: Batería de agua fría (4 Filas)



- ← SENTIDO AIRE
- M CAJA BORNES MOTORES
- ENTRADA AGUA CALIENTE
- SALIDA AGUA CALIENTE
- ENTRADA AGUA FRÍA
- SALIDA AGUA FRÍA
- SALIDA CONDENSADOS 3/4"

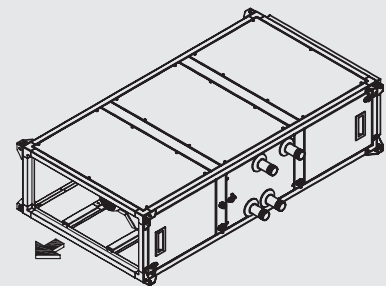
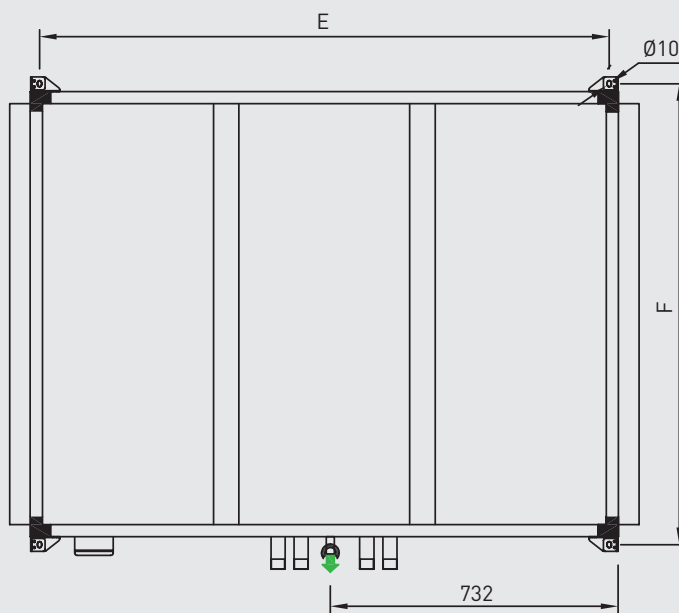
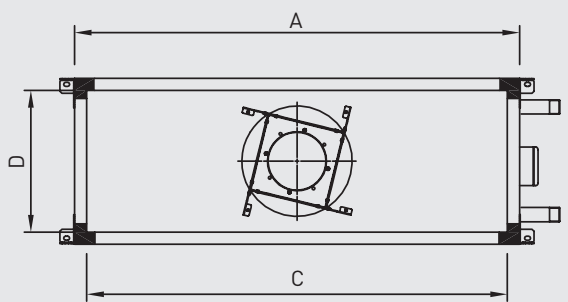
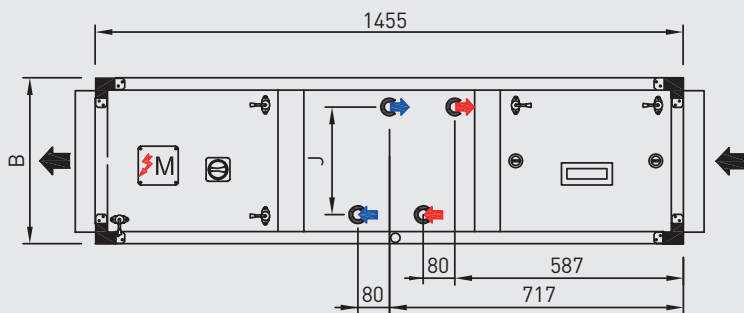
| Modelo | Externas | | Conexiones | | Soportes | | Baterías | | Peso (kg) | |
|--------|----------|-----|------------|-----|----------|------|----------|--------------------|-----------|-----|
| | A | B | C | D | E | F | J | Conexiones C4 / H2 | | |
| UTBS-2 | 750 | 360 | 690 | 300 | 1159 | 790 | 205 | 1-1/4" | 1-1/4" | 111 |
| UTBS-3 | 1100 | 410 | 1040 | 350 | 1159 | 1140 | 255 | 1-1/4" | 1-1/4" | 151 |
| UTBS-5 | 1500 | 410 | 1440 | 350 | 1159 | 1540 | 255 | 1-1/4" | 1-1/4" | 216 |
| UTBS-8 | 1900 | 500 | 1840 | 440 | 1159 | 1940 | 330 | 1-1/2" | 1-1/2" | 272 |

UTBS ECOWATT

Versión larga: Filtro F7 con capacidad para montaje filtro adicional
 Configuración con batería de agua fría C4 y batería de agua caliente H2



- P: Prefiltro G4/M5 (accesorio)
- F: Filtro F7
- H2: Batería de agua caliente (2 filas)
- C4: Batería de agua fría (4 Filas)



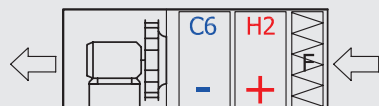
- ← SENTIDO AIRE
- ⚡ CAJA BORNES MOTORES
- ↻ ENTRADA AGUA CALIENTE
- ↻ SALIDA AGUA CALIENTE
- ↻ ENTRADA AGUA FRÍA
- ↻ SALIDA AGUA FRÍA
- ↻ SALIDA CONDENSADOS 3/4"

| Modelo | Externas | | Conexiones | | Soportes | | Baterías | | | Peso (kg) |
|--------|----------|-----|------------|-----|----------|------|----------|--------------------|--------|-----------|
| | A | B | C | D | E | F | J | Conexiones C4 / H2 | | |
| UTBS-2 | 750 | 360 | 690 | 300 | 1409 | 790 | 205 | 1-1/4" | 1-1/4" | 111 |
| UTBS-3 | 1100 | 410 | 1040 | 350 | 1409 | 1140 | 255 | 1-1/4" | 1-1/4" | 151 |
| UTBS-5 | 1500 | 410 | 1440 | 350 | 1409 | 1540 | 255 | 1-1/4" | 1-1/4" | 216 |
| UTBS-8 | 1900 | 500 | 1840 | 440 | 1409 | 1940 | 330 | 1-1/2" | 1-1/2" | 272 |

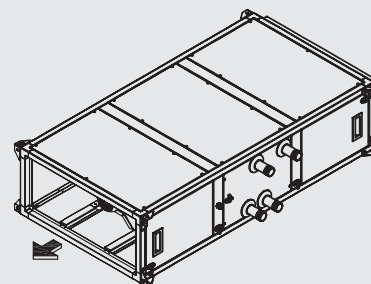
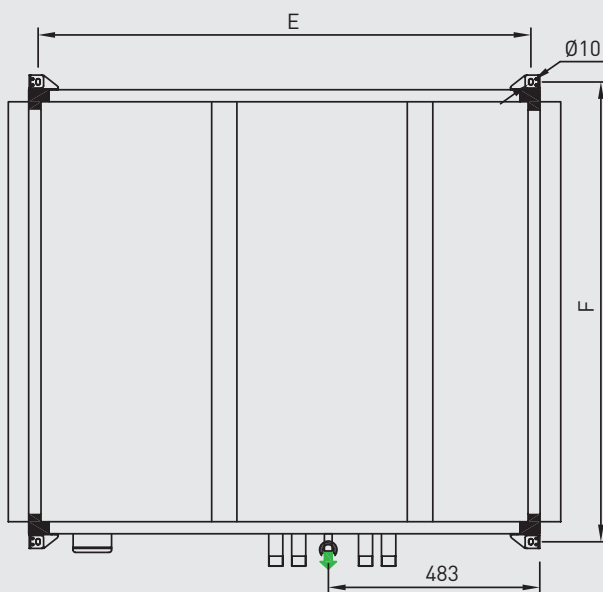
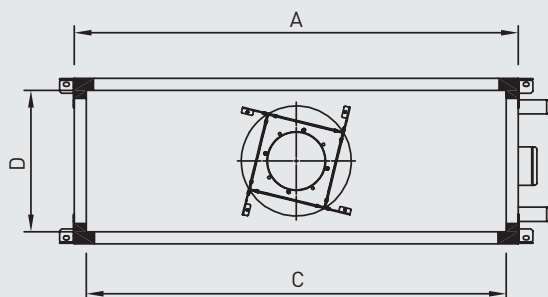
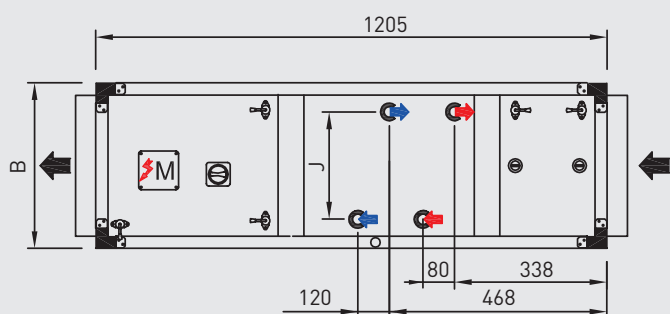
UTBS ECOWATT

Versión corta: Filtro único de tipo M5

Configuración con batería de agua fría C6 y batería de agua caliente H2



F: Filtro F5
H2: Batería de agua caliente (2 filas)
C6: Batería de agua fría (6 Filas)

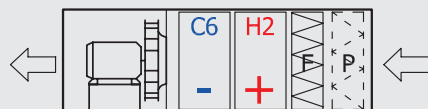


- ← SENTIDO AIRE
- M CAJA BORNES MOTORES
- ENTRADA AGUA CALIENTE
- SALIDA AGUA CALIENTE
- ENTRADA AGUA FRÍA
- SALIDA AGUA FRÍA
- SALIDA CONDENSADOS 3/4"

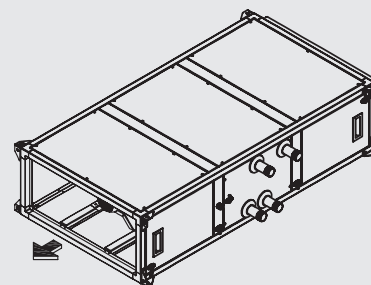
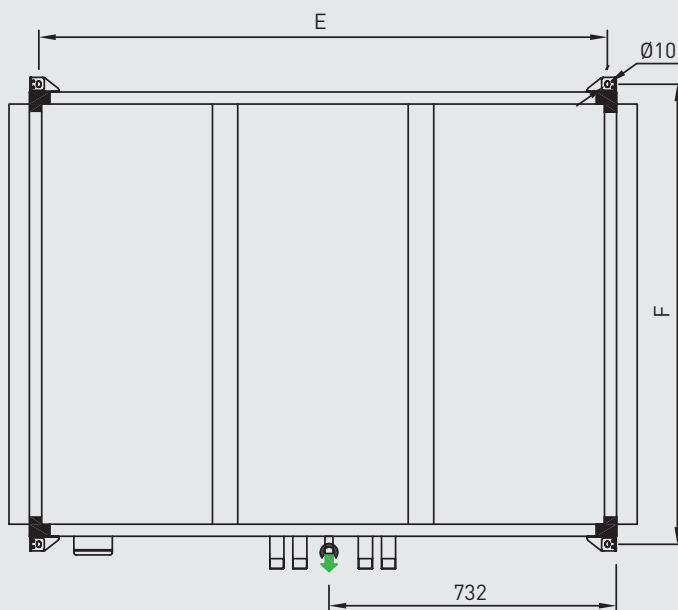
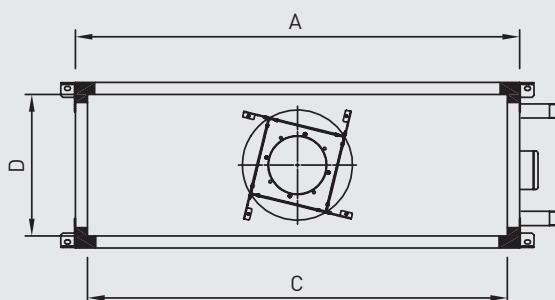
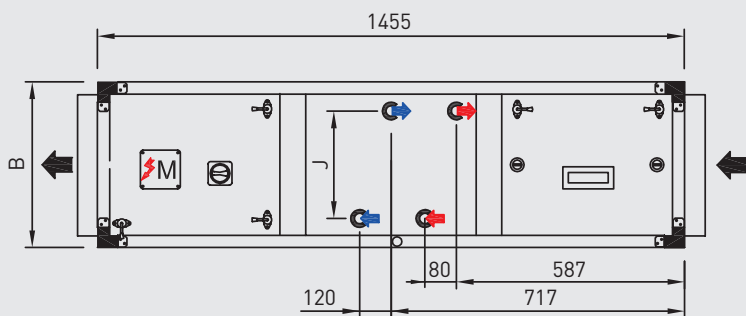
| Modelo | Externas | | Conexiones | | Soportes | | Baterías | | Peso (kg) | |
|--------|----------|-----|------------|-----|----------|------|----------|--------------------|-----------|-----|
| | A | B | C | D | E | F | J | Conexiones C6 / H2 | | |
| UTBS-2 | 750 | 360 | 690 | 300 | 1159 | 790 | 205 | 1-1/4" | 1-1/4" | 113 |
| UTBS-3 | 1100 | 410 | 1040 | 350 | 1159 | 1140 | 255 | 1-1/4" | 1-1/4" | 156 |
| UTBS-5 | 1500 | 410 | 1440 | 350 | 1159 | 1540 | 255 | 1-1/4" | 1-1/4" | 222 |
| UTBS-8 | 1900 | 500 | 1840 | 440 | 1159 | 1940 | 330 | 1-1/2" | 1-1/2" | 282 |

UTBS ECOWATT

Versión larga: Filtro F7 con capacidad para montaje filtro adicional
Configuración con batería de agua fría C6 y batería de agua caliente H2



- P: Prefiltro G4/M5 (accesorio)
- F: Filtro F7
- H2: Batería de agua caliente (2 filas)
- C6: Batería de agua fría (6 Filas)

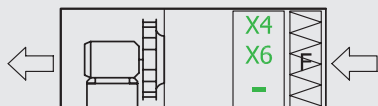


- ← SENTIDO AIRE
- M CAJA BORNES MOTORES
- ENTRADA AGUA CALIENTE
- SALIDA AGUA CALIENTE
- ENTRADA AGUA FRÍA
- SALIDA AGUA FRÍA
- SALIDA CONDENSADOS 3/4"

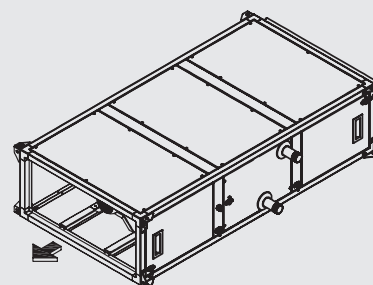
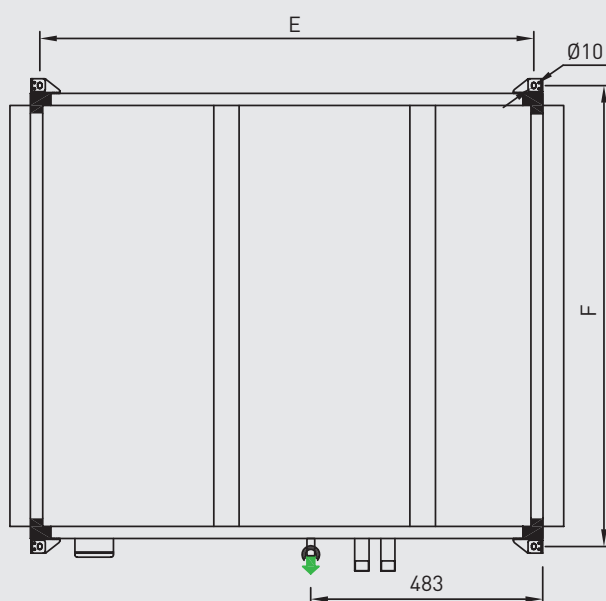
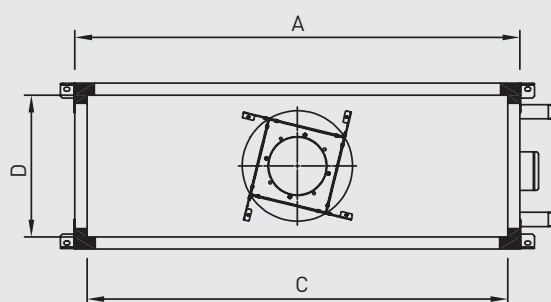
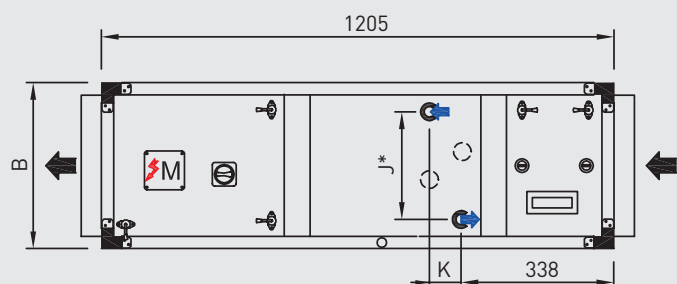
| Modelo | Externas | | Conexiones | | Soportes | | J | Baterías | | Peso (kg) |
|--------|----------|-----|------------|-----|----------|------|-----|--------------------|--------|-----------|
| | A | B | C | D | E | F | | Conexiones C6 / H2 | | |
| UTBS-2 | 750 | 360 | 690 | 300 | 1409 | 790 | 205 | 1-1/4" | 1-1/4" | 113 |
| UTBS-3 | 1100 | 410 | 1040 | 350 | 1409 | 1140 | 255 | 1-1/4" | 1-1/4" | 156 |
| UTBS-5 | 1500 | 410 | 1440 | 350 | 1409 | 1540 | 255 | 1-1/4" | 1-1/4" | 222 |
| UTBS-8 | 1900 | 500 | 1840 | 440 | 1409 | 1940 | 330 | 1-1/2" | 1-1/2" | 282 |

UTBS ECOWATT

Versión corta: Filtro único de tipo M5
Configuración con batería de expansión directa



F: Filtro F5
X4/X6: Batería expansión directa (4 Filas/6 Filas)



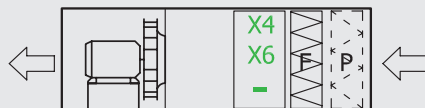
- ← SENTIDO AIRE
- ⚡ M CAJA BORNES MOTORES
- ➡ ENTRADA DISTRIBUIDOR
- ➡ SALIDA COLECTOR
- ➡ SALIDA CONDENSADOS 3/4"

| Modelo | Externas | | Conexiones | | Soportes | | Baterías | | | | | | | Peso (kg) | |
|--------|----------|-----|------------|-----|----------|------|----------|-----------|-----|--------------------------|----------|-------------------------|----------|-----------|-----|
| | A | B | C | D | E | F | J | K [X4/X6] | | Conexión entrada [X4/X6] | | Conexión salida [X4/X6] | | C4 | C6 |
| | | | | | | | | | | | | | | | |
| UTBS-2 | 750 | 360 | 690 | 300 | 1159 | 790 | 205 | 80 | 120 | 3/8" | 1/2" | 5/8" | 5/8" | 105 | 107 |
| UTBS-3 | 1100 | 410 | 1040 | 350 | 1159 | 1140 | 255 | 80 | 120 | 1/2" | 1/2" | 5/8" | 5/8" | 142 | 147 |
| UTBS-5 | 1500 | 410 | 1440 | 350 | 1159 | 1540 | 255 | 80 | 120 | 1/2" | 1/2" | 5/8" | 3/4" | 204 | 210 |
| UTBS-8 | 1900 | 500 | 1840 | 440 | 1159 | 1940 | 330* | 80 | 120 | 1/2" | 2 x 1/2" | 5/8" | 2 x 3/4" | 258 | 268 |

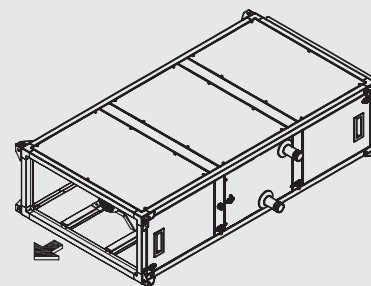
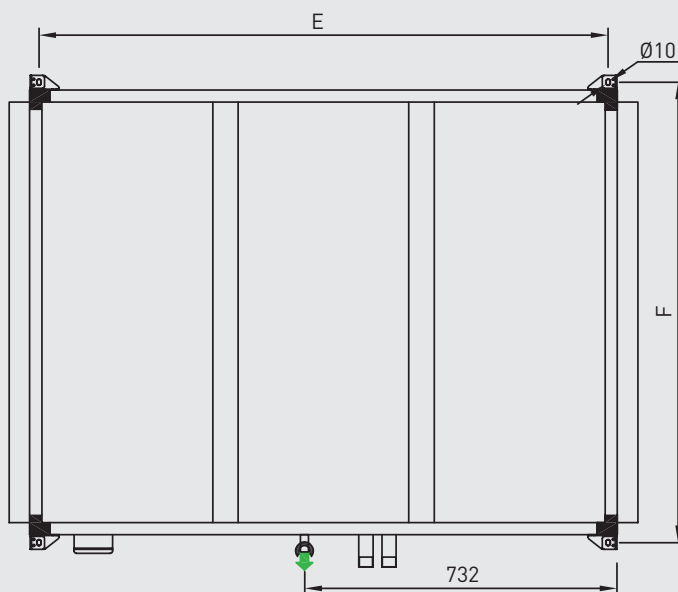
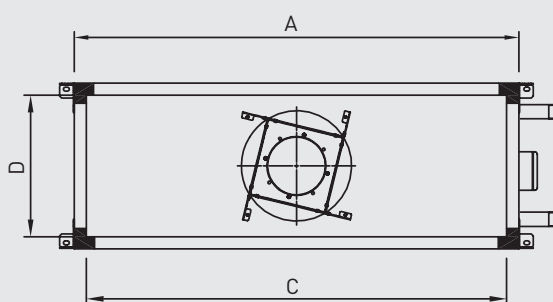
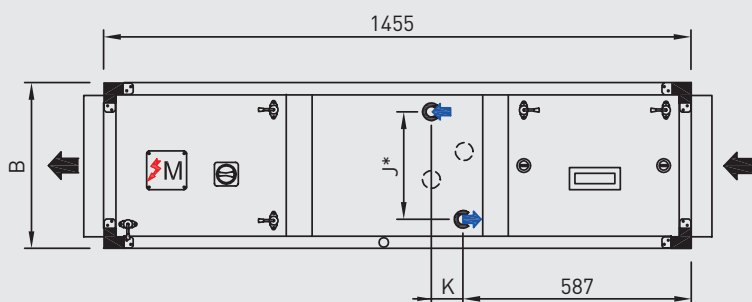
* En el modelo UTBS-8 con batería X6 la batería es dos etapas (doble conexión de entrada y salida).

UTBS ECOWATT

Versión larga: Filtro F7 con capacidad para montaje filtro adicional
Configuración con batería de expansión directa



P: Prefiltro G4/M5 (accesorio)
F: Filtro F7
X4/X6: Batería expansión directa (4 Filas/6 Filas)



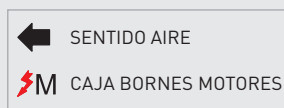
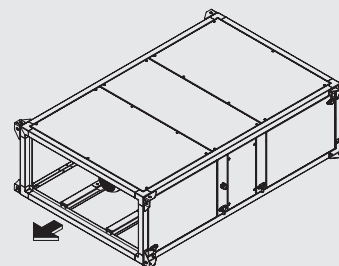
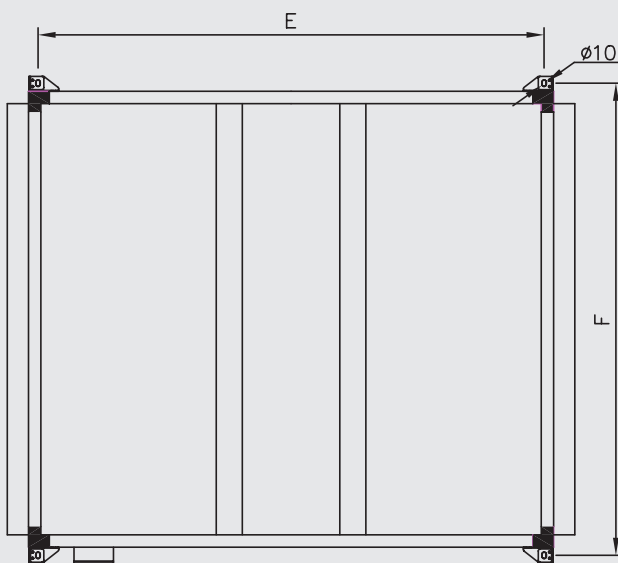
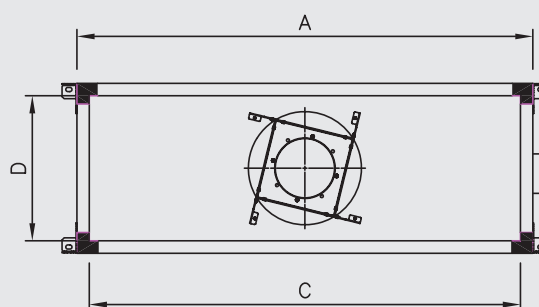
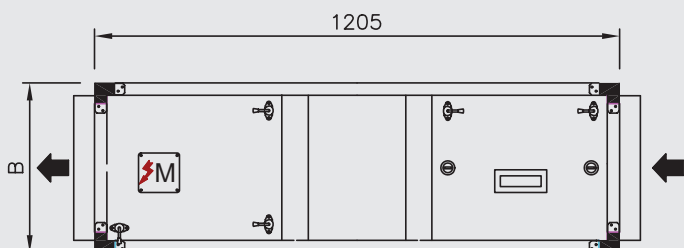
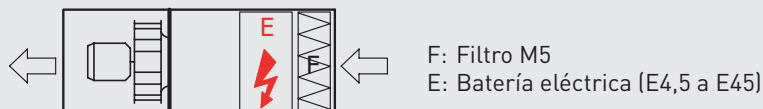
- SENTIDO AIRE
- CAJA BORNES MOTORES
- ENTRADA DISTRIBUIDOR
- SALIDA COLECTOR
- SALIDA CONDENSADOS 3/4"

| Modelo | Externas | | Conexiones | | Soportes | | Baterías | | | | | | Peso (kg) | | |
|--------|----------|-----|------------|-----|----------|------|----------|-----------|-----|--------------------------|----------|-------------------------|-----------|-----|-----|
| | A | B | C | D | E | F | J | K (X4/X6) | | Conexión entrada (X4/X6) | | Conexión salida (X4/X6) | | C4 | C6 |
| UTBS-2 | 750 | 360 | 690 | 300 | 1409 | 790 | 205 | 80 | 120 | 3/8" | 1/2" | 5/8" | 5/8" | 105 | 107 |
| UTBS-3 | 1100 | 410 | 1040 | 350 | 1409 | 1140 | 255 | 80 | 120 | 1/2" | 1/2" | 5/8" | 5/8" | 142 | 147 |
| UTBS-5 | 1500 | 410 | 1440 | 350 | 1409 | 1540 | 255 | 80 | 120 | 1/2" | 1/2" | 5/8" | 3/4" | 204 | 210 |
| UTBS-8 | 1900 | 500 | 1840 | 440 | 1409 | 1940 | 330* | 80 | 120 | 1/2" | 2 x 1/2" | 5/8" | 2 x 3/4" | 258 | 268 |

* En el modelo UTBS-8 con batería X6 la batería es dos etapas (doble conexión de entrada y salida).

UTBS PRO-REG

Versión corta: Filtro único de tipo M5
Configuración con batería eléctrica

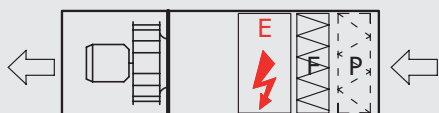


Vistas correspondientes a la versión L
(Conexiones en el lado izquierdo)

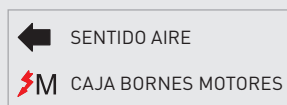
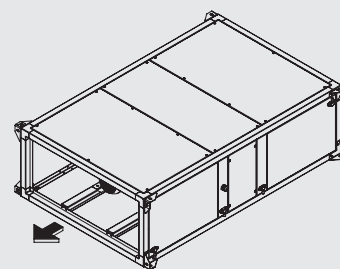
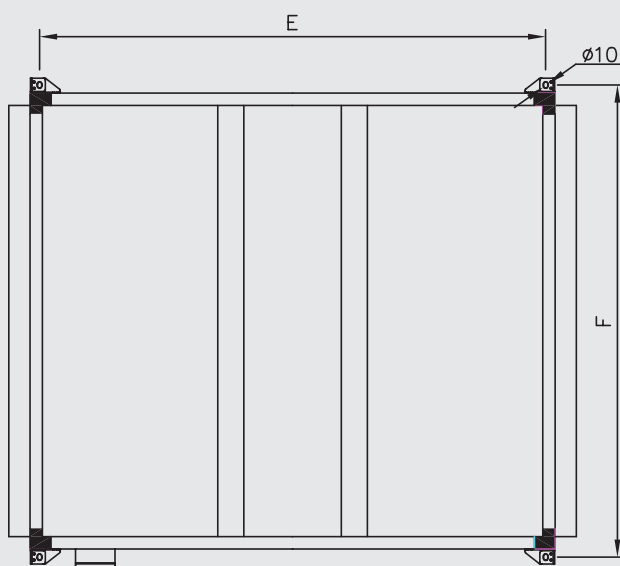
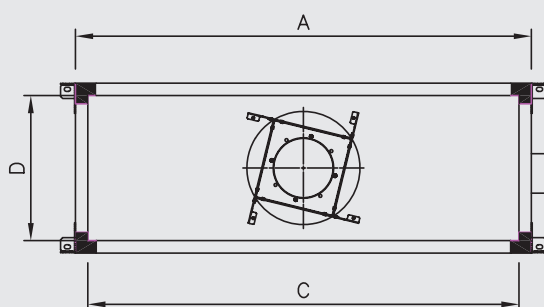
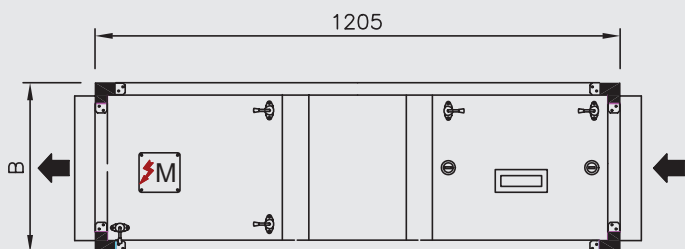
| Modelo | Externas | | Conexiones | | Soportes | | Peso (kg) |
|--------|----------|-----|------------|-----|----------|------|-----------|
| | A | B | C | D | E | F | |
| UTBS-2 | 750 | 360 | 690 | 300 | 1159 | 790 | 86 |
| UTBS-3 | 1100 | 410 | 1040 | 350 | 1159 | 1140 | 118 |
| UTBS-5 | 1500 | 410 | 1440 | 350 | 1159 | 1540 | 174 |
| UTBS-8 | 1900 | 500 | 1840 | 440 | 1159 | 1940 | 218 |

UTBS PRO-REG

Versión larga: Filtro F7 con capacidad para montaje filtro adicional
Configuración con batería eléctrica



P: Prefiltro G4/M5 (accesorio)
F: Filtro F7
E: Batería eléctrica (E4,5 a E45)

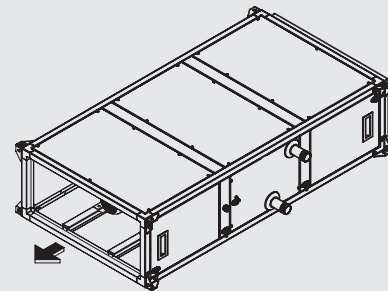
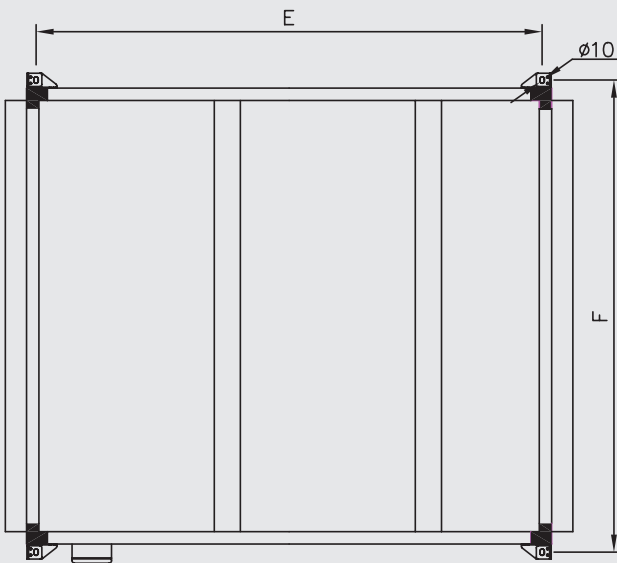
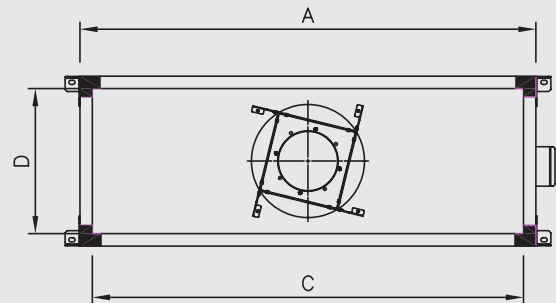
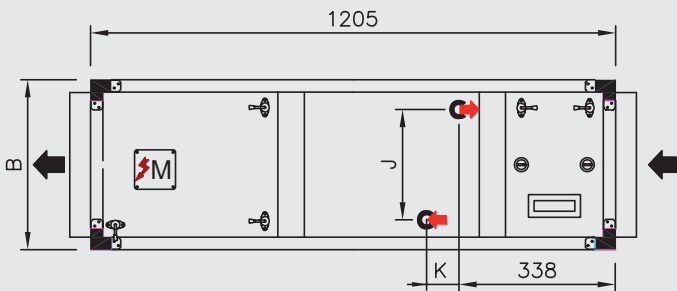
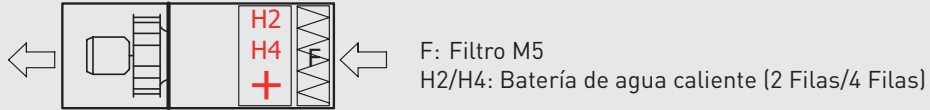


Vistas correspondientes a la versión L
(Conexiones en el lado izquierdo)

| Modelo | Externas | | Conexiones | | Soportes | | Peso (kg) |
|--------|----------|-----|------------|-----|----------|------|-----------|
| | A | B | C | D | E | F | |
| UTBS-2 | 750 | 360 | 690 | 300 | 1159 | 790 | 86 |
| UTBS-3 | 1100 | 410 | 1040 | 350 | 1159 | 1140 | 118 |
| UTBS-5 | 1500 | 410 | 1440 | 350 | 1159 | 1540 | 174 |
| UTBS-8 | 1900 | 500 | 1840 | 440 | 1159 | 1940 | 218 |

UTBS PRO-REG

Versión corta: Filtro único de tipo M5
Configuración con batería de agua caliente



- SENTIDO AIRE
- CAJA BORNES MOTORES
- ENTRADA AGUA CALIENTE
- SALIDA AGUA CALIENTE

Vistas correspondientes a la versión L
(Conexiones en el lado izquierdo)

| Modelo | Externas | | Conexiones | | Soportes | | Baterías | | | Peso (kg) | | |
|--------|----------|-----|------------|-----|----------|------|----------|-----------|------------|-----------|-----|-----|
| | A | B | C | D | E | F | J | K (H2/H4) | Conexiones | H2 | H4 | |
| UTBS-2 | 750 | 360 | 690 | 300 | 1159 | 790 | 219 | 50 | 80 | 1-1/4" | 97 | 100 |
| UTBS-3 | 1100 | 410 | 1040 | 350 | 1159 | 1140 | 269 | 50 | 80 | 1-1/4" | 131 | 135 |
| UTBS-5 | 1500 | 410 | 1440 | 350 | 1159 | 1540 | 269 | 50 | 80 | 1-1/4" | 188 | 204 |
| UTBS-8 | 1900 | 500 | 1840 | 440 | 1159 | 1940 | 344 | 50 | 80 | 1-1/2" | 233 | 245 |

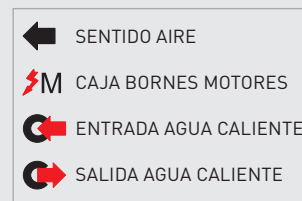
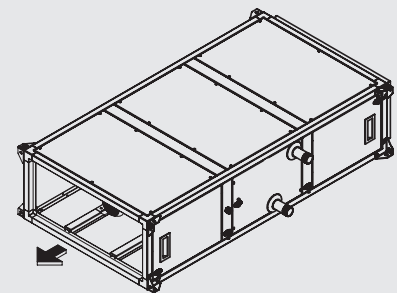
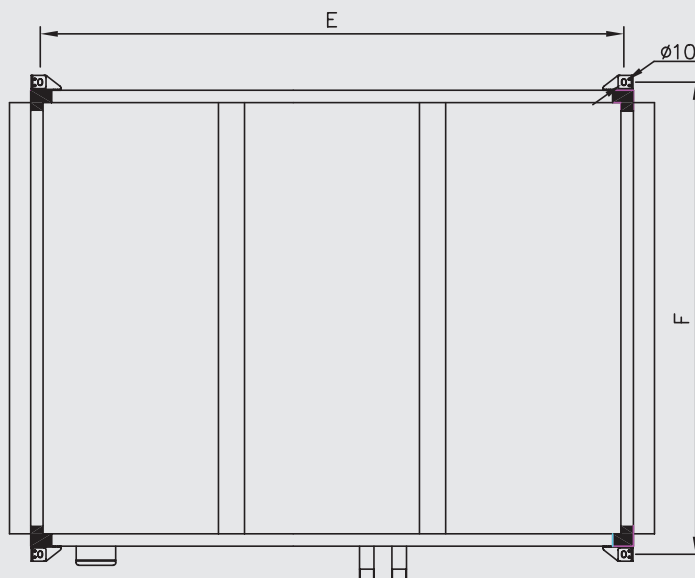
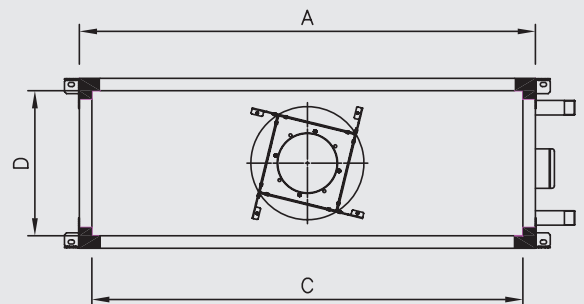
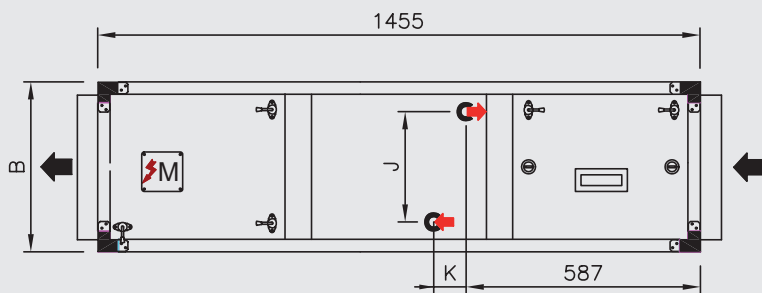
UTBS PRO-REG

Versión larga: Filtro F7 con capacidad para montaje filtro adicional

Configuración con batería de agua caliente



P: Prefiltro G4/M5 (accesorio)
F: Filtro F7
H2/H4: Batería de agua caliente (2 Filas/4 Filas)



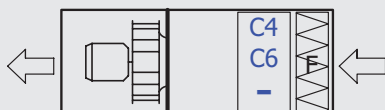
Vistas correspondientes a la versión L
(Conexiones en el lado izquierdo)

| Modelo | Externas | | Conexiones | | Soportes | | Baterías | | | Peso (kg) | | |
|--------|----------|-----|------------|-----|----------|------|----------|-----------|------------|-----------|-----|-----|
| | A | B | C | D | E | F | J | K (H2/H4) | Conexiones | H2 | H4 | |
| UTBS-2 | 750 | 360 | 690 | 300 | 1409 | 790 | 219 | 50 | 80 | 1-1/4" | 97 | 100 |
| UTBS-3 | 1100 | 410 | 1040 | 350 | 1409 | 1140 | 269 | 50 | 80 | 1-1/4" | 131 | 135 |
| UTBS-5 | 1500 | 410 | 1440 | 350 | 1409 | 1540 | 269 | 50 | 80 | 1-1/4" | 188 | 204 |
| UTBS-8 | 1900 | 500 | 1840 | 440 | 1409 | 1940 | 344 | 50 | 80 | 1-1/2" | 233 | 245 |

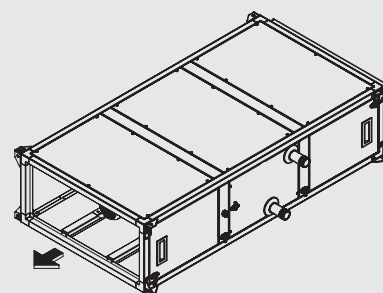
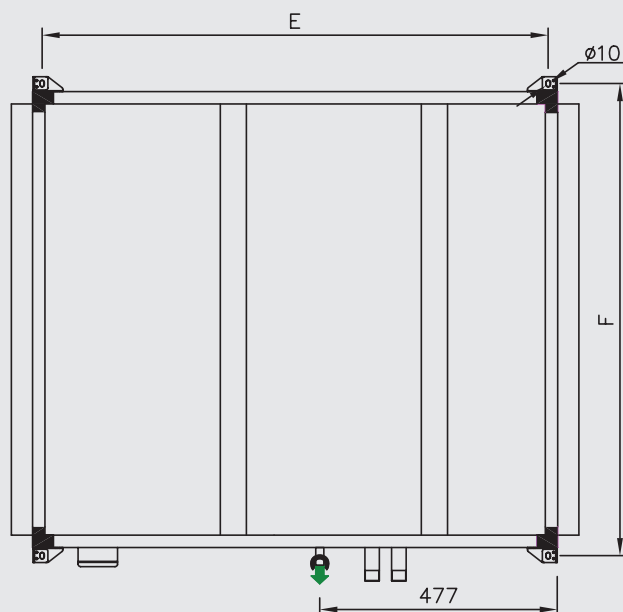
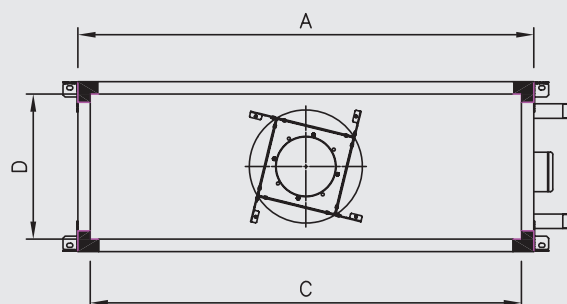
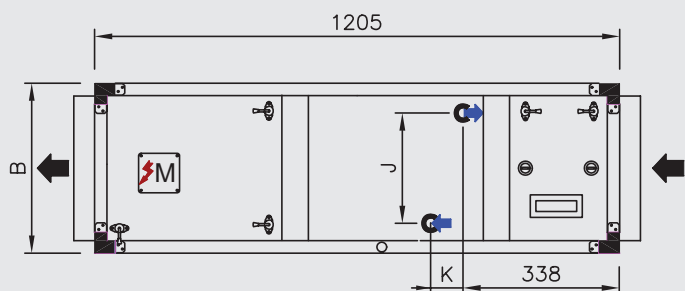
UTBS PRO-REG

Versión corta: Filtro único de tipo M5

Configuración con batería de agua fría



F: Filtro M5
C4/C6: Batería de agua fría (4 Filas/6 Filas)



- SENTIDO AIRE
- CAJA BORNES MOTORES
- ENTRADA AGUA FRÍA
- SALIDA AGUA FRÍA
- SALIDA CONDENSADOS 3/4"

Vistas correspondientes a la versión L
(Conexiones en el lado izquierdo)

| Modelo | Externas | | Conexiones | | Soportes | | Baterías | | | Peso (kg) | | |
|--------|----------|-----|------------|-----|----------|------|----------|-----------|------------|-----------|-----|-----|
| | A | B | C | D | E | F | J | K (C4/C6) | Conexiones | C4 | C6 | |
| UTBS-2 | 750 | 360 | 690 | 300 | 1159 | 790 | 219 | 80 | 120 | 1-1/4" | 105 | 107 |
| UTBS-3 | 1100 | 410 | 1040 | 350 | 1159 | 1140 | 269 | 80 | 120 | 1-1/4" | 142 | 147 |
| UTBS-5 | 1500 | 410 | 1440 | 350 | 1159 | 1540 | 269 | 80 | 120 | 1-1/4" | 204 | 210 |
| UTBS-8 | 1900 | 500 | 1840 | 440 | 1159 | 1940 | 344 | 80 | 120 | 1-1/2" | 258 | 268 |

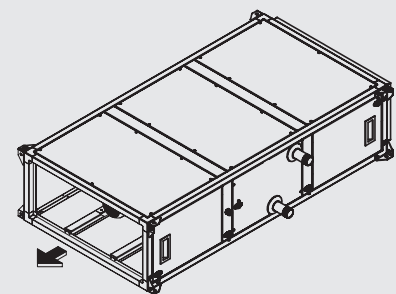
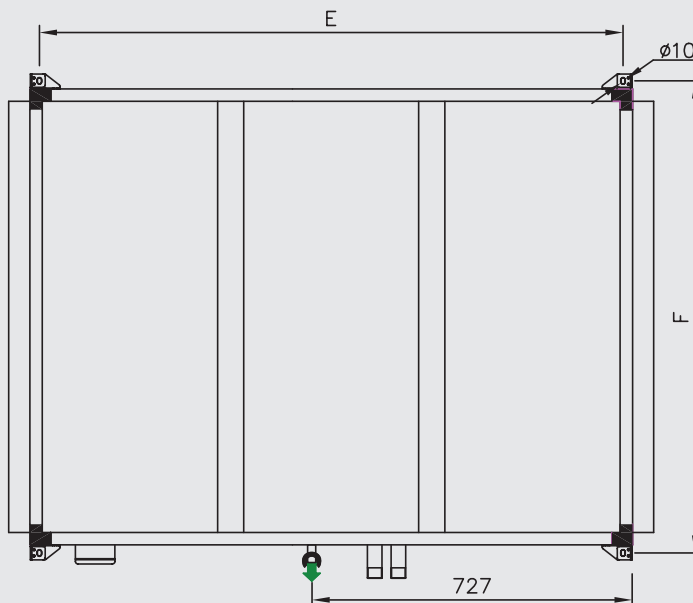
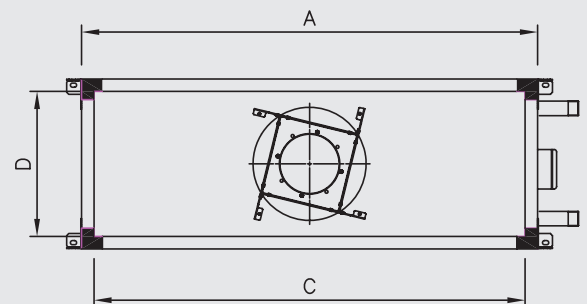
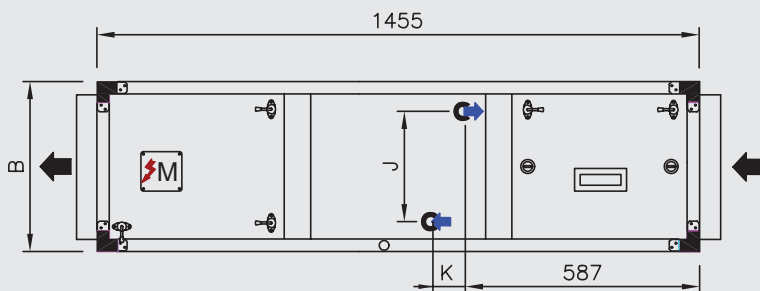
UTBS PRO-REG

Versión larga: Filtro F7 con capacidad para montaje filtro adicional

Configuración con batería de agua fría



P: Prefiltro G4/M5 (accesorio)
F: Filtro F7
C4/C6: Batería de agua fría (4 Filas/6 Filas)



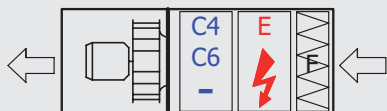
Vistas correspondientes a la versión L
(Conexiones en el lado izquierdo)

| Modelo | Externas | | Conexiones | | Soportes | | Baterías | | | Peso (kg) | | |
|--------|----------|-----|------------|-----|----------|------|----------|-----------|------------|-----------|-----|-----|
| | A | B | C | D | E | F | J | K (C4/C6) | Conexiones | C4 | C6 | |
| UTBS-2 | 750 | 360 | 690 | 300 | 1409 | 790 | 219 | 80 | 120 | 1-1/4" | 105 | 107 |
| UTBS-3 | 1100 | 410 | 1040 | 350 | 1409 | 1140 | 269 | 80 | 120 | 1-1/4" | 142 | 147 |
| UTBS-5 | 1500 | 410 | 1440 | 350 | 1409 | 1540 | 269 | 80 | 120 | 1-1/4" | 204 | 210 |
| UTBS-8 | 1900 | 500 | 1840 | 440 | 1409 | 1940 | 344 | 80 | 120 | 1-1/2" | 258 | 268 |

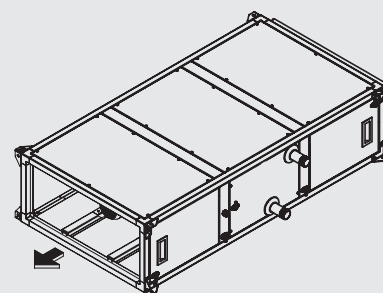
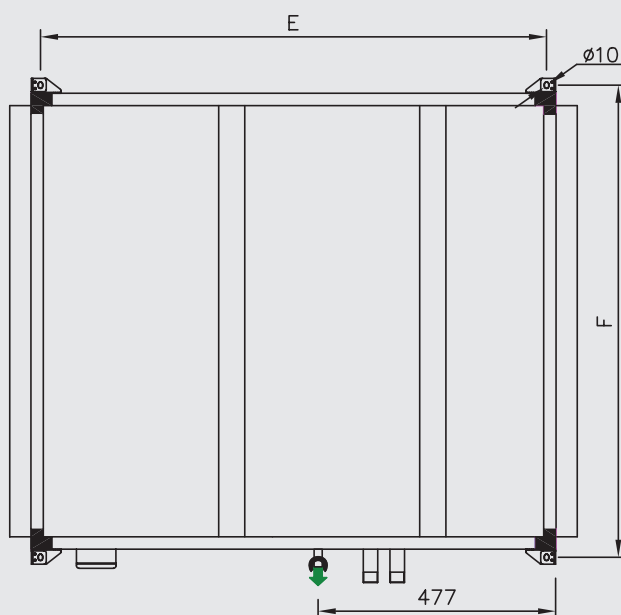
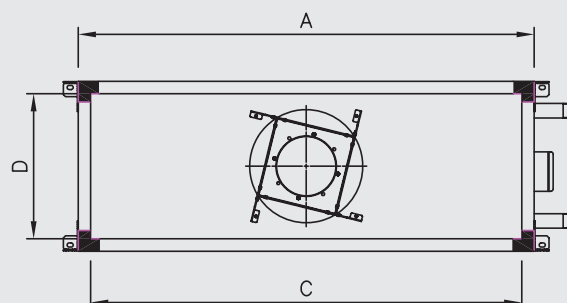
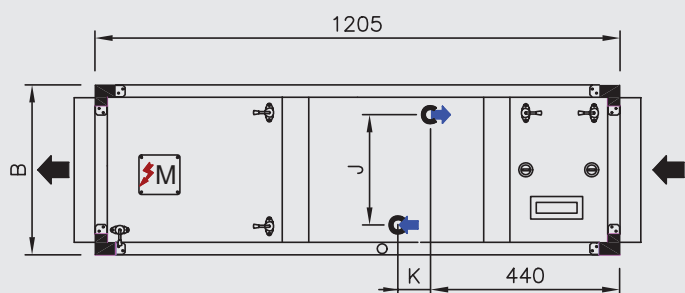
UTBS PRO-REG

Versión corta: Filtro único de tipo M5

Configuración con batería eléctrica y batería de agua fría



F: Filtro M5
E: Batería eléctrica (E4,5 a E45)
C4/C6: Batería de agua fría (4 Filas/6 Filas)



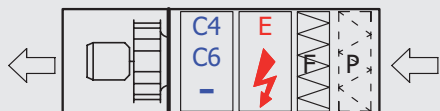
Vistas correspondientes a la versión L
(Conexiones en el lado izquierdo)

| Modelo | Externas | | Conexiones | | Soportes | | Baterías | | | Peso (kg) | | |
|--------|----------|-----|------------|-----|----------|------|----------|-----------|------------|-----------|-----|-----|
| | A | B | C | D | E | F | J | K (C4/C6) | Conexiones | C4 | C6 | |
| UTBS-2 | 750 | 360 | 690 | 300 | 1159 | 790 | 219 | 80 | 120 | 1-1/4" | 105 | 107 |
| UTBS-3 | 1100 | 410 | 1040 | 350 | 1159 | 1140 | 269 | 80 | 120 | 1-1/4" | 142 | 147 |
| UTBS-5 | 1500 | 410 | 1440 | 350 | 1159 | 1540 | 269 | 80 | 120 | 1-1/4" | 204 | 210 |
| UTBS-8 | 1900 | 500 | 1840 | 440 | 1159 | 1940 | 344 | 80 | 120 | 1-1/2" | 258 | 268 |

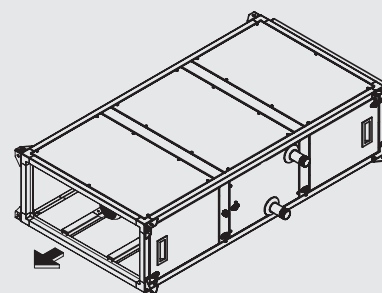
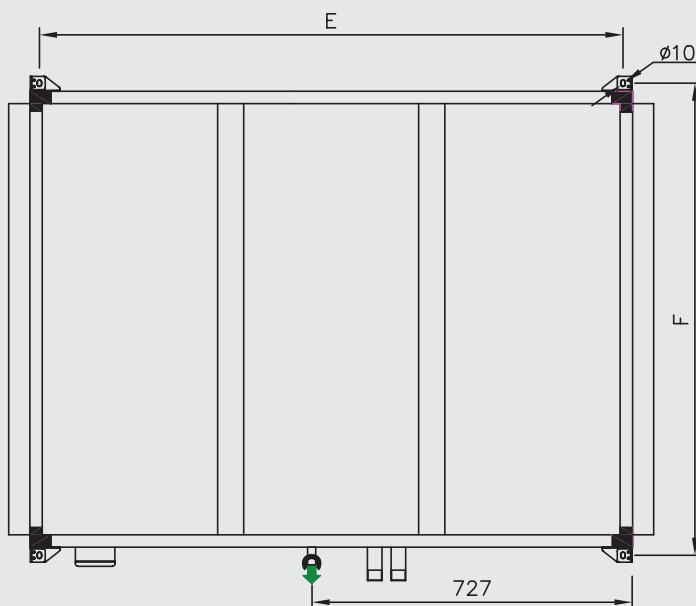
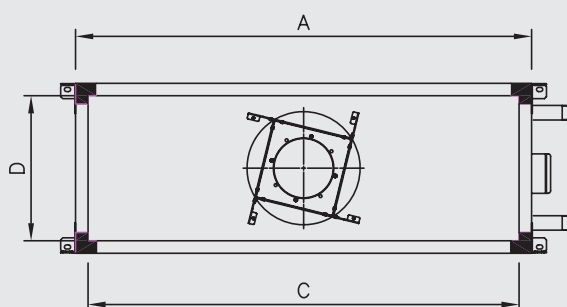
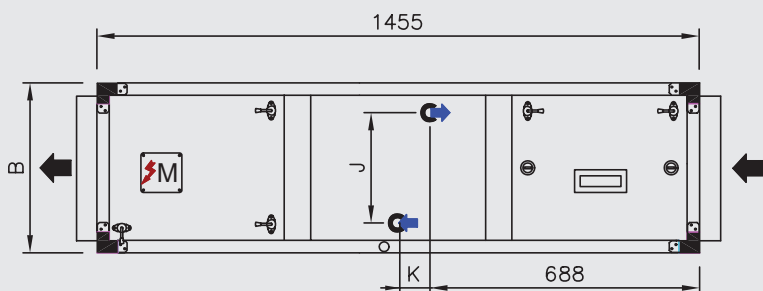
UTBS PRO-REG

Versión larga: Filtro F7 con capacidad para montaje filtro adicional

Configuración con batería eléctrica y batería de agua fría



P: Prefiltro G4/M5 (accesorio)
F: Filtro F7
E: Batería eléctrica (E4,5 a E45)
C4/C6: Batería de agua fría (4 Filas/6 Filas)



- SENTIDO AIRE
- CAJA BORNES MOTORES
- ENTRADA AGUA FRÍA
- SALIDA AGUA FRÍA
- SALIDA CONDENSADOS 3/4"

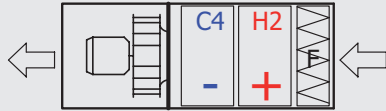
Vistas correspondientes a la versión L
(Conexiones en el lado izquierdo)

| Modelo | Externas | | Conexiones | | Soportes | | Baterías | | | | Peso (kg) | |
|--------|----------|-----|------------|-----|----------|------|----------|-----------|------------|--------|-----------|-----|
| | A | B | C | D | E | F | J | K (C4/C6) | Conexiones | C4 | C6 | |
| UTBS-2 | 750 | 360 | 690 | 300 | 1409 | 790 | 219 | 80 | 120 | 1-1/4" | 105 | 107 |
| UTBS-3 | 1100 | 410 | 1040 | 350 | 1409 | 1140 | 269 | 80 | 120 | 1-1/4" | 142 | 147 |
| UTBS-5 | 1500 | 410 | 1440 | 350 | 1409 | 1540 | 269 | 80 | 120 | 1-1/4" | 204 | 210 |
| UTBS-8 | 1900 | 500 | 1840 | 440 | 1409 | 1940 | 344 | 80 | 120 | 1-1/2" | 258 | 268 |

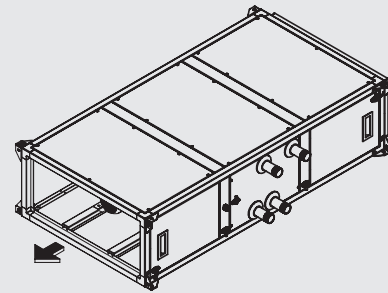
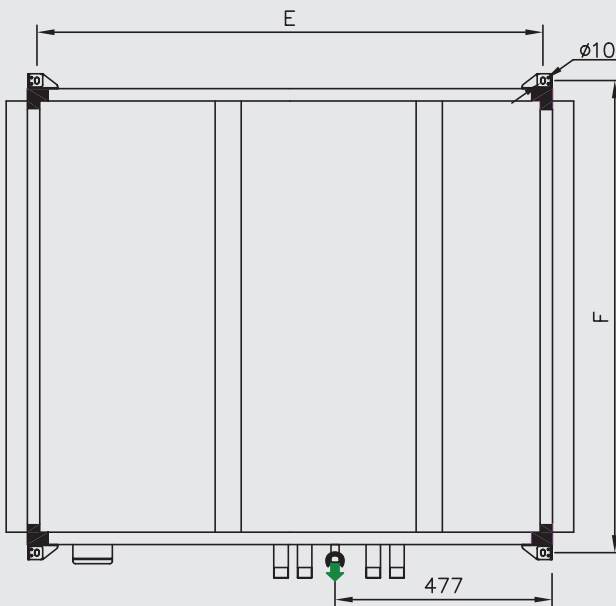
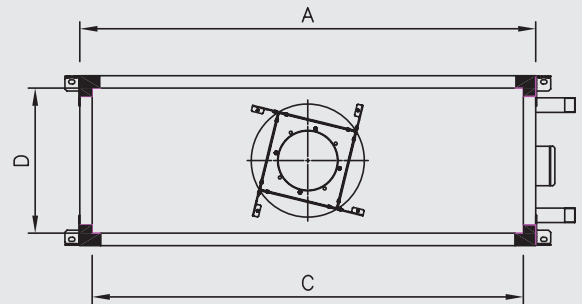
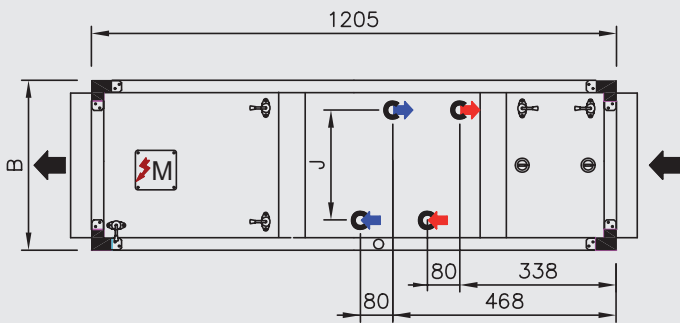
UTBS PRO-REG

Versión corta: Filtro único de tipo M5

Configuración con batería de agua caliente y batería de agua fría



F: Filtro M5
H2: Batería de agua caliente (2 Filas/4 Filas)
C4: Batería de agua fría (4 Filas)



- SENTIDO AIRE
- CAJA BORNES MOTORES
- ENTRADA AGUA CALIENTE
- SALIDA AGUA CALIENTE
- ENTRADA AGUA FRÍA
- SALIDA AGUA FRÍA
- SALIDA CONDENSADOS 3/4"

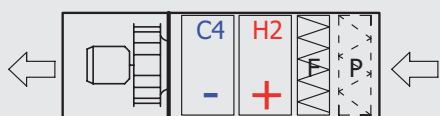
Vistas correspondientes a la versión L
(Conexiones en el lado izquierdo)

| Modelo | Externas | | Conexiones | | Soportes | | Baterías | | Peso (kg) | |
|--------|----------|-----|------------|-----|----------|------|----------|--------------------|-----------|-----|
| | A | B | C | D | E | F | J | Conexiones C4 / H2 | | |
| UTBS-2 | 750 | 360 | 690 | 300 | 1159 | 790 | 219 | 1-1/4" | 1-1/4" | 111 |
| UTBS-3 | 1100 | 410 | 1040 | 350 | 1159 | 1140 | 269 | 1-1/4" | 1-1/4" | 151 |
| UTBS-5 | 1500 | 410 | 1440 | 350 | 1159 | 1540 | 269 | 1-1/4" | 1-1/4" | 216 |
| UTBS-8 | 1900 | 500 | 1840 | 440 | 1159 | 1940 | 344 | 1-1/2" | 1-1/2" | 272 |

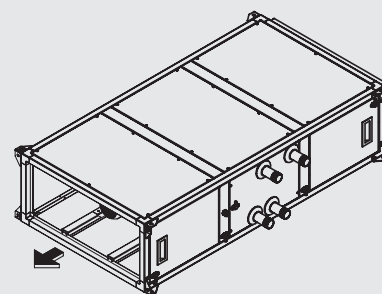
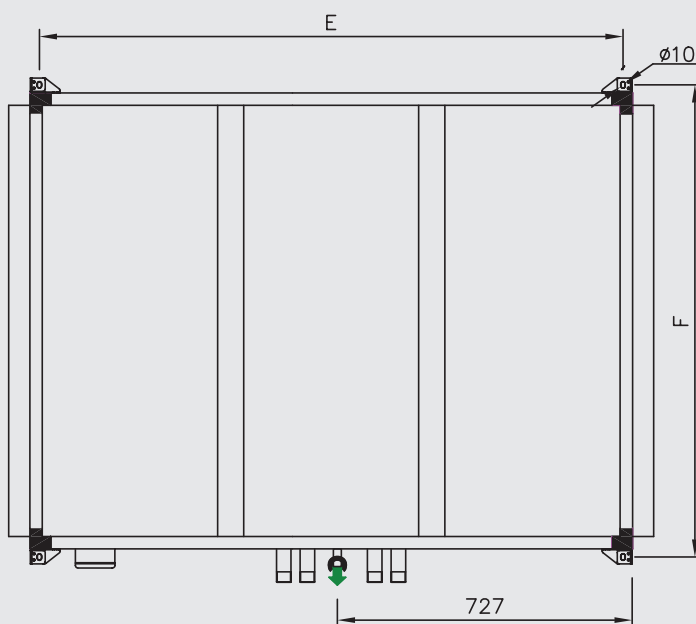
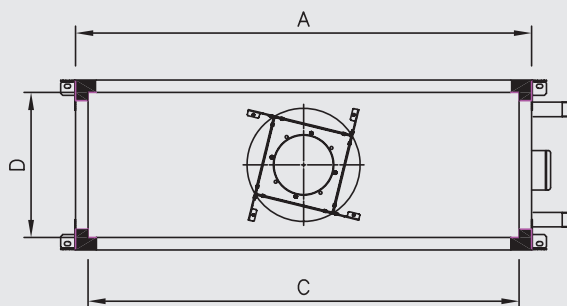
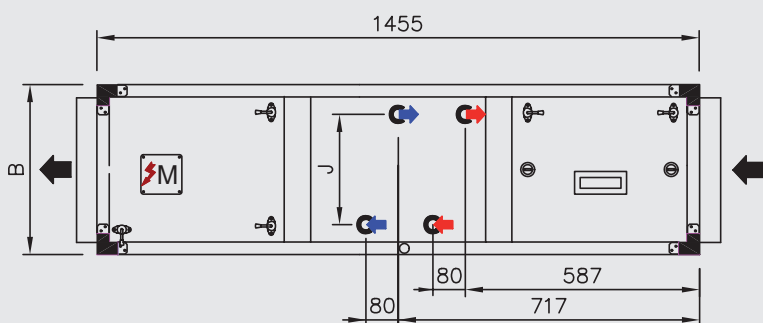
UTBS PRO-REG

Versión larga: Filtro F7 con capacidad para montaje filtro adicional

Configuración con batería de agua caliente y batería de agua fría



- P: Prefiltro G4/M5 (accesorio)
- F: Filtro F7
- H2: Batería de agua caliente (2 Filas)
- C4: Batería de agua fría (4 Filas)



- ← SENTIDO AIRE
- ⚡ M CAJA BORNES MOTORES
- ↻ ENTRADA AGUA CALIENTE
- ↻ SALIDA AGUA CALIENTE
- ↻ ENTRADA AGUA FRÍA
- ↻ SALIDA AGUA FRÍA
- ↻ SALIDA CONDENSADOS 3/4"

Vistas correspondientes a la versión L
(Conexiones en el lado izquierdo)

| Modelo | Externas | | Conexiones | | Soportes | | Baterías | | | Peso (kg) |
|--------|----------|-----|------------|-----|----------|------|----------|--------------------|--------|-----------|
| | A | B | C | D | E | F | J | Conexiones C4 / H2 | | |
| UTBS-2 | 750 | 360 | 690 | 300 | 1409 | 790 | 219 | 1-1/4" | 1-1/4" | 111 |
| UTBS-3 | 1100 | 410 | 1040 | 350 | 1409 | 1140 | 269 | 1-1/4" | 1-1/4" | 151 |
| UTBS-5 | 1500 | 410 | 1440 | 350 | 1409 | 1540 | 269 | 1-1/4" | 1-1/4" | 216 |
| UTBS-8 | 1900 | 500 | 1840 | 440 | 1409 | 1940 | 344 | 1-1/2" | 1-1/2" | 272 |

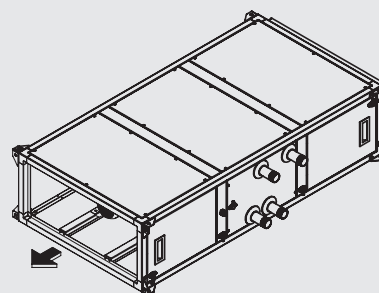
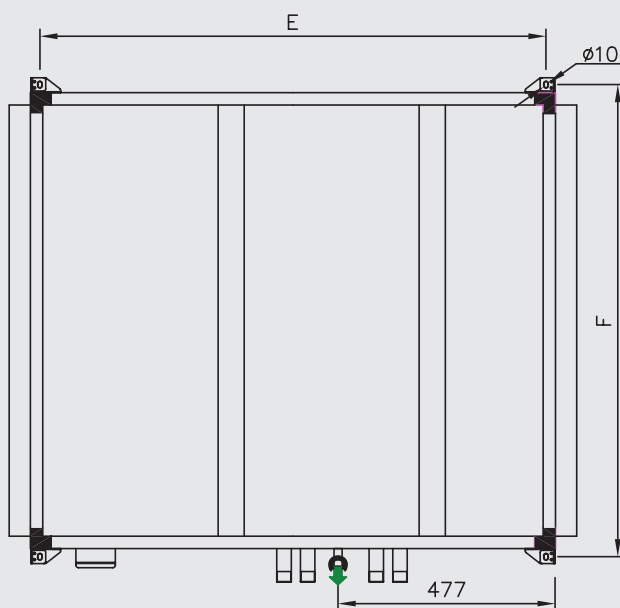
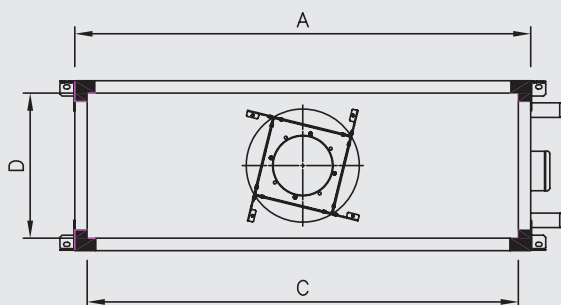
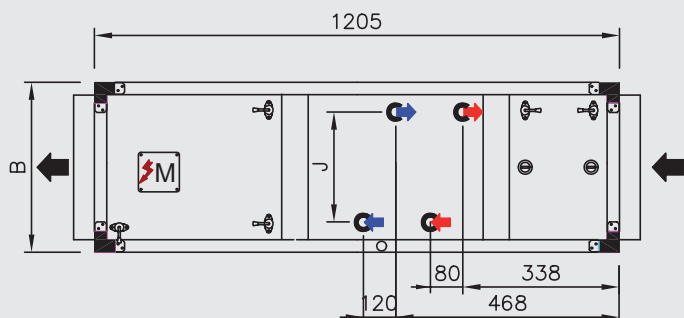
UTBS PRO-REG

Versión corta: Filtro único de tipo M5

Configuración con batería de agua caliente y batería de agua fría



F: Filtro M5
H2: Batería de agua caliente (2 Filas/4 Filas)
C6: Batería de agua fría (6 Filas)



- SENTIDO AIRE
- CAJA BORNES MOTORES
- ENTRADA AGUA CALIENTE
- SALIDA AGUA CALIENTE
- ENTRADA AGUA FRÍA
- SALIDA AGUA FRÍA
- SALIDA CONDENSADOS 3/4"

Vistas correspondientes a la versión L
(Conexiones en el lado izquierdo)

| Modelo | Externas | | Conexiones | | Soportes | | Baterías | | Peso (kg) | |
|--------|----------|-----|------------|-----|----------|------|----------|--------------------|-----------|-----|
| | A | B | C | D | E | F | J | Conexiones C6 / H2 | | |
| UTBS-2 | 750 | 360 | 690 | 300 | 1159 | 790 | 219 | 1-1/4" | 1-1/4" | 113 |
| UTBS-3 | 1100 | 410 | 1040 | 350 | 1159 | 1140 | 269 | 1-1/4" | 1-1/4" | 156 |
| UTBS-5 | 1500 | 410 | 1440 | 350 | 1159 | 1540 | 269 | 1-1/4" | 1-1/4" | 222 |
| UTBS-8 | 1900 | 500 | 1840 | 440 | 1159 | 1940 | 344 | 1-1/2" | 1-1/2" | 282 |

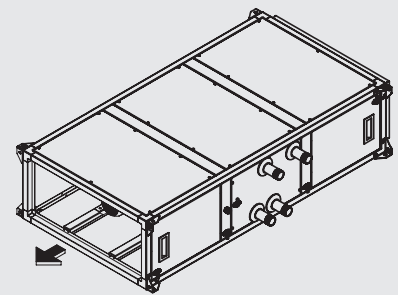
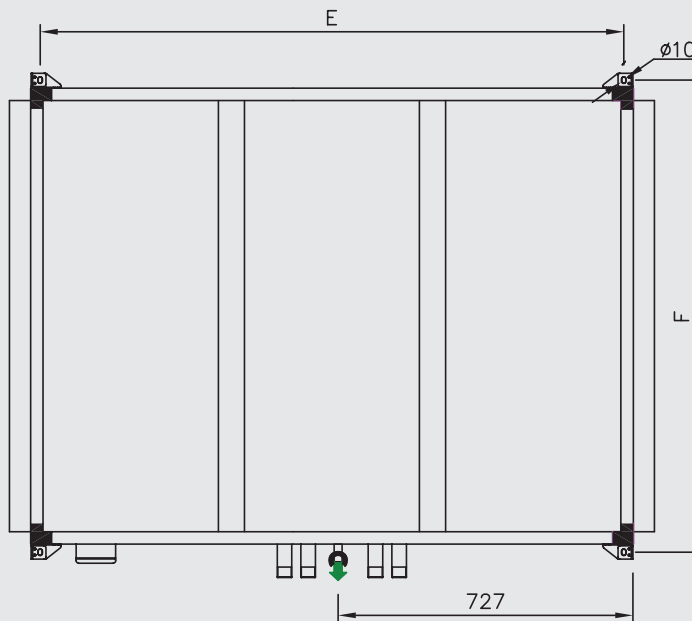
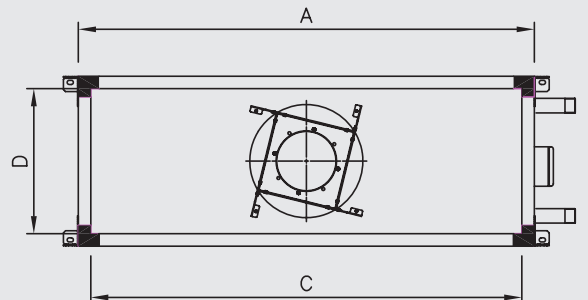
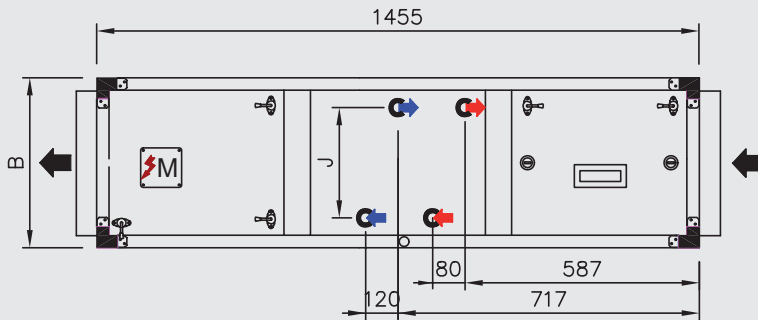
UTBS PRO-REG

Versión larga: Filtro F7 con capacidad para montaje filtro adicional

Configuración con batería de agua caliente y batería de agua fría



- P: Prefiltro G4/M5 (accesorio)
- F: Filtro F7
- H2: Batería de agua caliente (2 Filas)
- C6: Batería de agua fría (6 Filas)



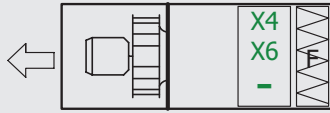
- ← SENTIDO AIRE
- ⚡ M CAJA BORNES MOTORES
- ↻ ENTRADA AGUA CALIENTE
- ↻ SALIDA AGUA CALIENTE
- ↻ ENTRADA AGUA FRÍA
- ↻ SALIDA AGUA FRÍA
- ↻ SALIDA CONDENSADOS 3/4"

Vistas correspondientes a la versión L
(Conexiones en el lado izquierdo)

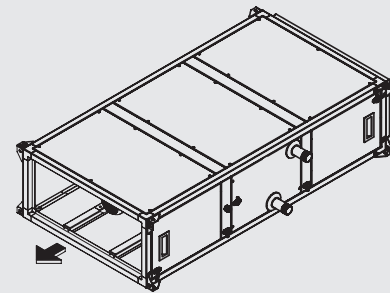
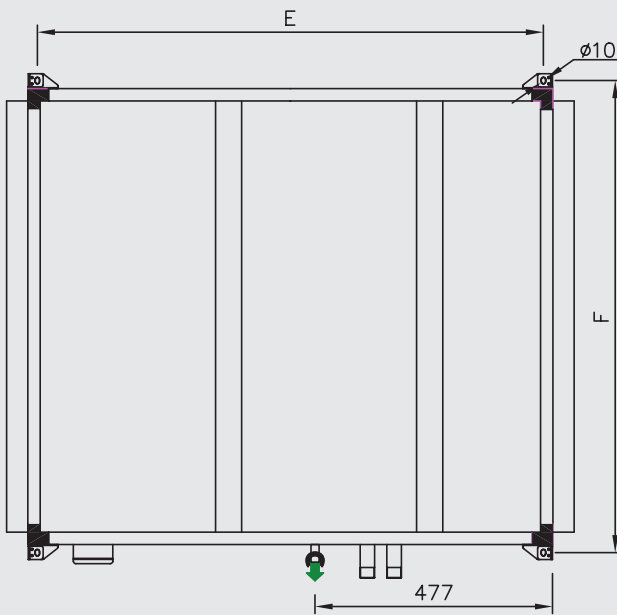
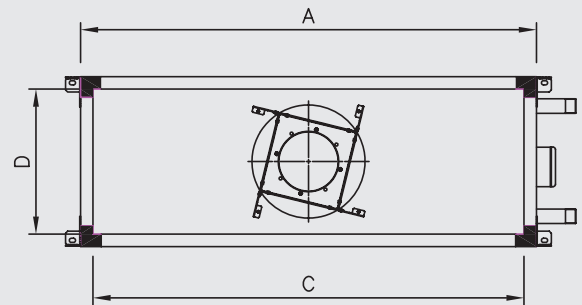
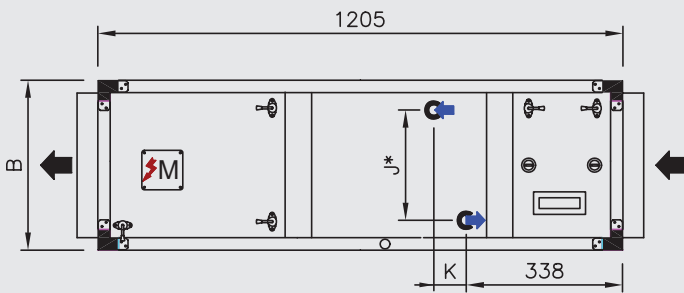
| Modelo | Externas | | Conexiones | | Soportes | | Baterías | | Peso (kg) | |
|--------|----------|-----|------------|-----|----------|------|----------|--------------------|-----------|-----|
| | A | B | C | D | E | F | J | Conexiones C6 / H2 | | |
| UTBS-2 | 750 | 360 | 690 | 300 | 1409 | 790 | 219 | 1-1/4" | 1-1/4" | 113 |
| UTBS-3 | 1100 | 410 | 1040 | 350 | 1409 | 1140 | 269 | 1-1/4" | 1-1/4" | 156 |
| UTBS-5 | 1500 | 410 | 1440 | 350 | 1409 | 1540 | 269 | 1-1/4" | 1-1/4" | 222 |
| UTBS-8 | 1900 | 500 | 1840 | 440 | 1409 | 1940 | 344 | 1-1/2" | 1-1/2" | 282 |

UTBS PRO-REG

Versión corta: Filtro único de tipo M5
Configuración con batería de expansión directa



F: Filtro M5
X4/X6: Batería de expansión directa (4 Filas/6 Filas)



- ← SENTIDO AIRE
- ⚡ M CAJA BORNES MOTORES
- ↻ ENTRADA DISTRIBUIDOR
- ↻ SALIDA DISTRIBUIDOR
- ↻ SALIDA CONDENSADOS 3/4"

Vistas correspondientes a la versión L
(Conexiones en el lado izquierdo)

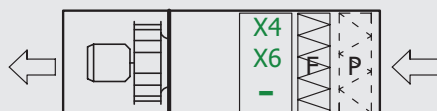
| Modelo | Externas | | Conexiones | | Soportes | | Baterías | | | | | | | Peso (kg) | |
|--------|----------|-----|------------|-----|----------|------|----------|-----------|-----|--------------------------|----------|-------------------------|----------|-----------|-----|
| | A | B | C | D | E | F | J | K (X4/X6) | | Conexión entrada (X4/X6) | | Conexión salida (X4/X6) | | C4 | C6 |
| UTBS-2 | 750 | 360 | 690 | 300 | 1159 | 790 | 232 | 80 | 120 | 3/8" | 1/2" | 5/8" | 5/8" | 105 | 107 |
| UTBS-3 | 1100 | 410 | 1040 | 350 | 1159 | 1140 | 280 | 80 | 108 | 1/2" | 1/2" | 5/8" | 5/8" | 142 | 147 |
| UTBS-5 | 1500 | 410 | 1440 | 350 | 1159 | 1540 | 280 | 80 | 100 | 1/2" | 1/2" | 5/8" | 3/4" | 204 | 210 |
| UTBS-8 | 1900 | 500 | 1840 | 440 | 1159 | 1940 | 355* | 55 | 120 | 1/2" | 2 x 1/2" | 5/8" | 2 x 3/4" | 258 | 268 |

* En el modelo UTBS-8 con batería X6 la batería es dos etapas (doble conexión de entrada y salida).

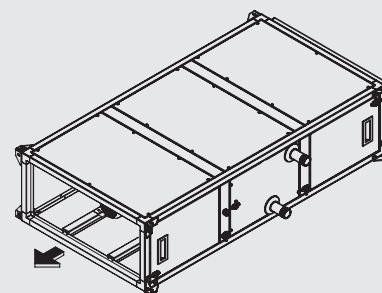
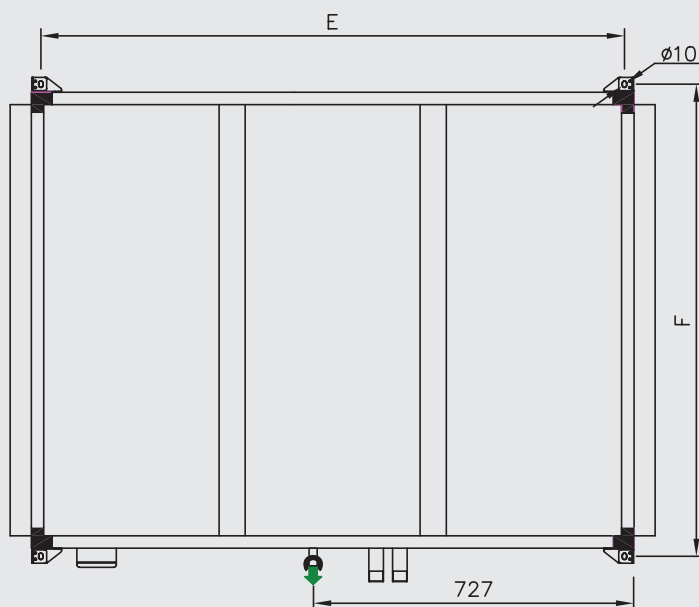
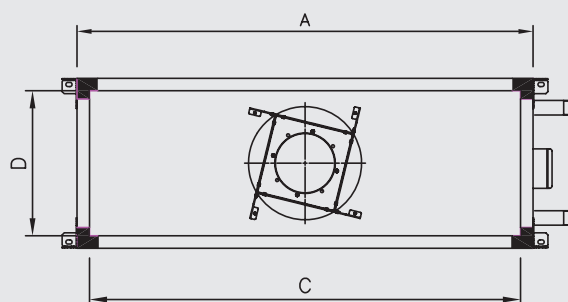
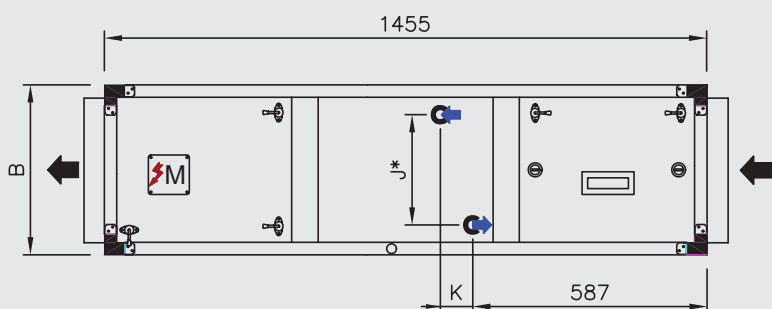
UTBS PRO-REG

Versión larga: Filtro F7 con capacidad para montaje filtro adicional

Configuración con batería de expansión directa



P: Prefiltro G4/M5 (accesorio)
F: Filtro F7
X4/X6: Batería de expansión directa (4 Filas/6 Filas)



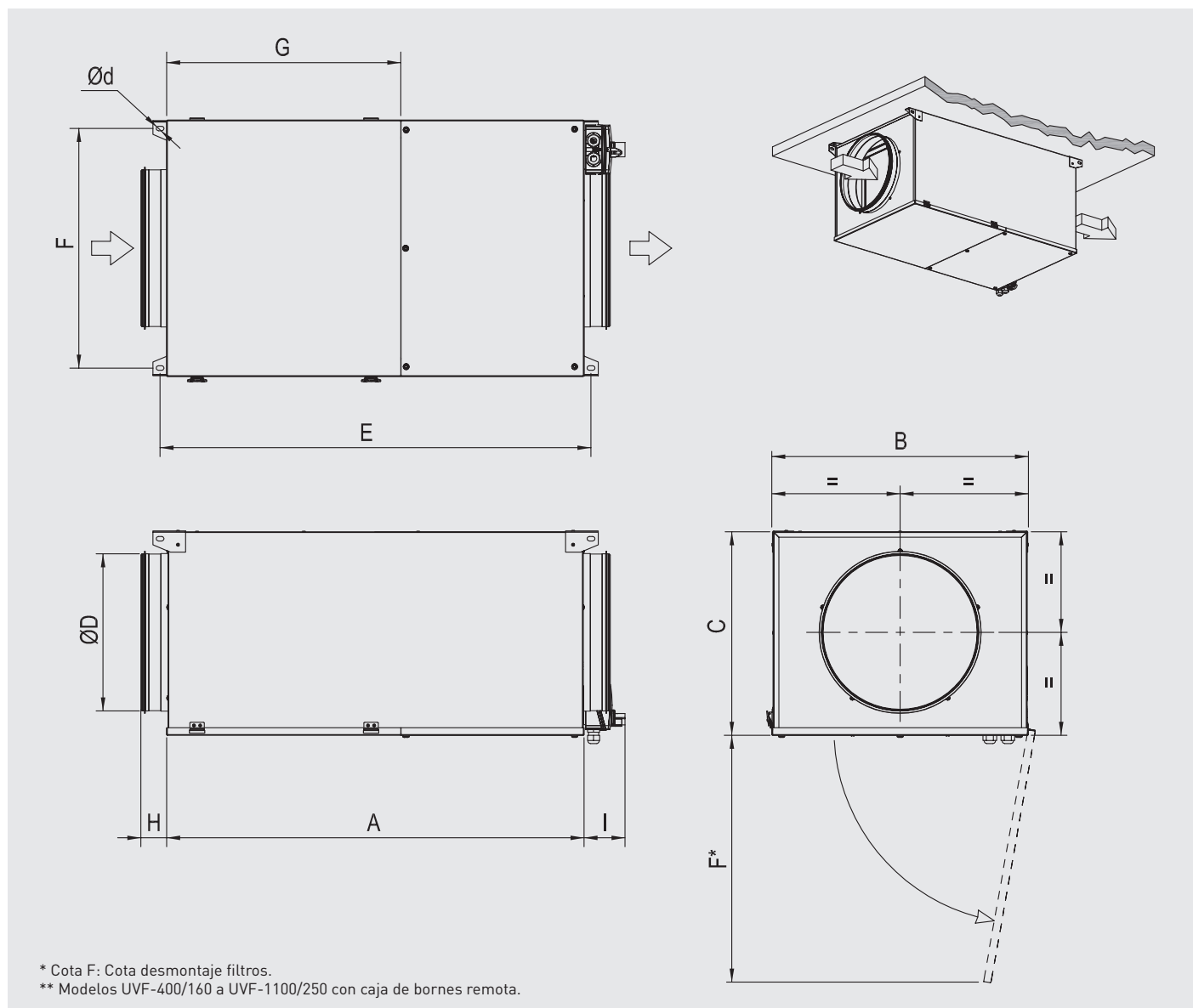
- ← SENTIDO AIRE
- CAJA BORNES MOTORES
- ENTRADA DISTRIBUIDOR
- SALIDA DISTRIBUIDOR
- SALIDA CONDENSADOS 3/4"

Vistas correspondientes a la versión L
(Conexiones en el lado izquierdo)

| Modelo | Externas | | Conexiones | | Soportes | | Baterías | | | | | | Peso (kg) | | |
|--------|----------|-----|------------|-----|----------|------|----------|-----------|-----|--------------------------|----------|-------------------------|-----------|-----|-----|
| | A | B | C | D | E | F | J | K (X4/X6) | | Conexión entrada (X4/X6) | | Conexión salida (X4/X6) | | C4 | C6 |
| | | | | | | | | | | | | | | | |
| UTBS-2 | 750 | 360 | 690 | 300 | 1409 | 790 | 232 | 80 | 120 | 3/8" | 1/2" | 5/8" | 5/8" | 105 | 107 |
| UTBS-3 | 1100 | 410 | 1040 | 350 | 1409 | 1140 | 280 | 80 | 108 | 1/2" | 1/2" | 5/8" | 5/8" | 142 | 147 |
| UTBS-5 | 1500 | 410 | 1440 | 350 | 1409 | 1540 | 280 | 80 | 100 | 1/2" | 1/2" | 5/8" | 3/4" | 204 | 210 |
| UTBS-8 | 1900 | 500 | 1840 | 440 | 1409 | 1940 | 355* | 55 | 120 | 1/2" | 2 x 1/2" | 5/8" | 2 x 3/4" | 258 | 268 |

* En el modelo UTBS-8 con batería X6 la batería es dos etapas (doble conexión de entrada y salida).

UVF ECOWATT

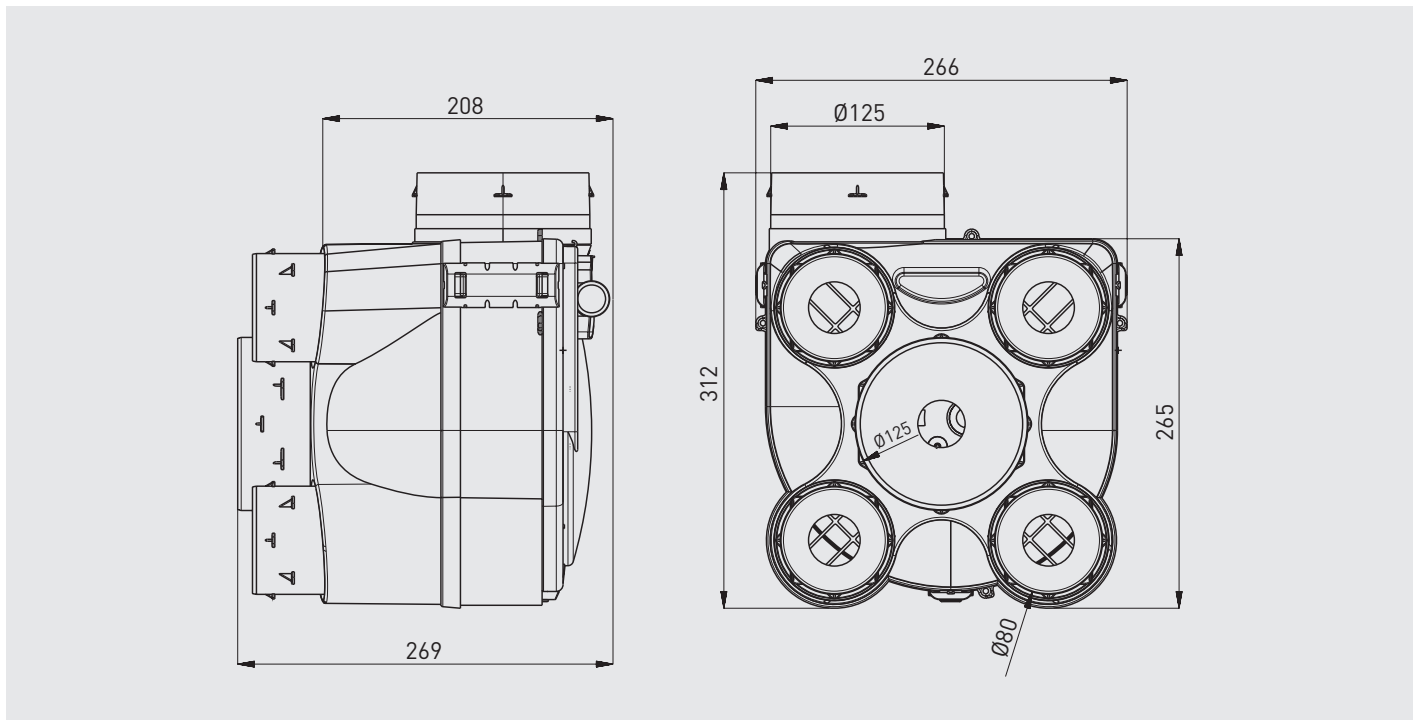


* Cota F: Cota desmontaje filtros.

** Modelos UVF-400/160 a UVF-1100/250 con caja de bornes remota.

| Modelo | A | B | C | D | E | F | d | G | H | I |
|----------------------|-----|-----|-----|-----|-----|-----|---|-----|----|------|
| UVF-400/160 ECOWATT | 692 | 313 | 259 | 160 | 718 | 278 | 9 | 468 | 52 | 52** |
| UVF-600/200 ECOWATT | 728 | 363 | 309 | 200 | 754 | 350 | 9 | 468 | 52 | 52** |
| UVF-1100/250 ECOWATT | 770 | 413 | 334 | 250 | 795 | 400 | 9 | 468 | 52 | 52** |
| UVF-1500/315 ECOWATT | 836 | 513 | 409 | 315 | 862 | 500 | 9 | 468 | 52 | 77 |
| UVF-2500/355 ECOWATT | 932 | 613 | 459 | 355 | 957 | 600 | 9 | 468 | 52 | 77 |
| UVF-3000/400 ECOWATT | 932 | 613 | 459 | 400 | 957 | 600 | 9 | 468 | 52 | 77 |

VENTURIA E 2018



- ANDORRA**
ESCALDES-ENGORDANY
ELECTRICITAT JESUS
Mossèn Guillem Adellach, 10, baixos
Tel. 376821040
electricitatjesus@andorra.ad
- ÁLAVA**
01005 VITORIA
INSTALACIONES ELECTRICAS GAR, S.L.
Rioja, 26, bajos
Tel. 945252594
info@electricidadgar.com
- 01013 VITORIA**
NUVI ARABA, S.L.
Kapelamendi, 1, Pab. 46-47
Tel. 945263581
info@nuviaraba.com
- ALBACETE**
02005 ALBACETE
ELECTRICIDAD HNOS. M.PORTERO, C.B.
Avda. Menéndez Pidal, 24
Tel. 967520761
hnosmportero@gmail.com
- ALICANTE**
03004 ALICANTE
JOSE CARLOS VARO CLIMENT
Cuesta la Fábrica, 34
Tel. 965204429
motores_varo@hotmail.com
- 03201 ELCHE**
SATRES 2021, S.L.
Luis Llorente, 16
Tel. 965467710
satres2021@hotmail.com
- 03501 BENIDORM**
SERVI PAE BENIDORM
Gardenias, 9, Local
Tel. 966811537
servipaejavi@hotmail.com
- 03600 ELDA**
SATRES 2021, S.L.
Mariana Pineda, 4, bajos
Tel. 965386134
satres2021@hotmail.com
- 03800 ALCOY**
JUAN FELIPE BALAGUER (TV SERT)
Cid, 12, bajos
Tel. 965331412
serttv@gmail.com
- ALMERÍA**
04004 ALMERÍA
JUAN MANUEL UBEDA (FRANCISCO GUTIERREZ)
Padre Santaella, 5, bajos
Tel. 950238808
gutierrezcb@gmail.com
- ÁVILA**
05003 ÁVILA
MOHAMED DAOUDI
(HOLA REPARACIONES)
Soria, 6
Tel. 608938300
holareparaciones6@gmail.com
- BADAJOS**
06003 BADAJOZ
REPARACIONES DEL COSSO
Avda. Juan Sebastian El Cano, 47 B
Tel. 924243706
delcosso@msn.com
- 06300 ZAFRA**
ANGEL GALLEGO ARCES
T. Coronel R. Baltasar, 11
Tel. 924555469
reparacionesgallego@yahoo.es
- 06700 VILLANUEVA DE LA SERENA**
ELECTRICIDAD VIR, S.L.
Pol. Ind. Cagancha, 17
Tel. 924843796
elecvir@electricidadvir.com
- 06800 MÉRIDA**
HERMANOS MORENO, C.B.
Villanueva de Serena, 6
Tel. 924315458
hermanosmorenocb@hotmail.com
- ILLES BALEARS**
07006 PALMA DE MALLORCA
ELECTRICA MOPAL, S.L.
De Lluçmajor, 44
Tel. 971274174
electricamopal@gmail.com
- 07740 MERCADAL (MENORCA)**
RELME, S.L.
Doctor Llansó, 107
Tel. 971375537
info@relme.net
- 07800 IBIZA**
LUX IBIZA, S.L.
Vía Romana, 79
Tel. 971301067
sat@luxibiza.org
- BARCELONA**
08012 BARCELONA
KLEIN GERATE, C.B.
Roger de Flor, 330
Tel. 932137764
vicente@kleingerate.com
- 08030 BARCELONA**
RICARDO GUEVARA GARCÍA
Passeig Torres i Bages, 50-58
Tel. 933469902
reparacionesrigue@gmail.com
- 08204 SABADELL**
SERVEI TÈCNIC LLONCH S.C.P.
Fontanella, 61
Tel. 937103388
mireia@stllonch.com
consulta@stllonch.com
recanvis@stllonch.com
- 08330 PREMIÀ DE MAR**
REBOBINATS LOGIC MOTORS, S.L.
Passatge dels Mestres, 7
Tel. 937524173
info@rebobinats.com
- 08500 VIC**
JOAN MAYANS CASAS - ELECTROSAT
Menéndez Pelayo, 25
Tel. 938894103
electrosat@infonegocio.com
- 08500 VIC**
MAQUINARIA ELÉCTRICA REIXACH
Ctra de Roda, 53
Tel. 938861088
reixachsl@telefonica.net
- 08500 VIC**
SERRA SERVEIS, S.C.P.
Cervera, 17
Tel. 938893248
info@serraserveis.com
- 08402 GRANOLLERS**
JOSEP SALVADÓ TOMÀS
Carles Riba, 9, Local 3
Tel. 938494073
salvado@salvadosl.com
info@salvadosl.com
- 08560 MANLLEU**
BOBINATGES ELECTRIC REIXACH, S.L.
Rosinyol, 33
Tel. 938510992
reixachsl@hotmail.com
- 08700 IGUALADA**
SAT CUADRAS
Sant Domènec, 9-11
Tel. 938045431
franchesca@satcuadras.com
- 08720 VILAFRANCA DEL PENEDÈS**
FRED VILAFRANCA, S.L.
La Munia, 54, Nave 9
Tel. 938904852
fred@fredvilafranca.com
- 08800 VILANOVA I LA GELTRÚ**
BIRME, S.L.
Aigua, 4, baixos
Tel. 938930011
birme@birme.com
- 08915 BADALONA**
DAVID RUDÓ CLAVERO -BON SERVEI-
Avda. Martí Pujol, 444
Tel. 933998218
bonservei444@hotmail.com
- 08950 ESPLUGUES LLOBREGAT**
S.A.T. J. BAUTISTA, S.L.
Santiago Rusiñol, 27-29, Local 5
Tel. 902075534
satadministracion@satjbautista.com
- BURGOS**
09007 BURGOS
ELECTRO CAOR, S.A.
Alcalde de Martín Cobos, s/n
Tel. 947484222
administracion@electrocaor.es
- 09400 ARANDA DE DUERO**
JOSÉ VELASCO BADILLO
Pza.de la Ribera, 4, bajos
Tel. 947500637
josevelasco3@hotmail.com
- CÁDIZ**
11404 JEREZ DE LA FRONTERA
REPARACIONES QUIROS
Asta, 1
Tel. 956349299
reparacionesquiros@hotmail.com
- 11408 JEREZ DE LA FRONTERA**
IDME, S.L.
Marruecos, 4
Tel. 956086085
idmesl@idmesl.com
- CASTELLÓN**
12550 ALMASSORA
INDUSTRIAS ELECTROTÉCNICAS CASTELLÓN, S.L. (INELCA)
C/ dels Almogàvers, 10 G (Centro Empresarial La Plana)
Tel. 964216277
inelcasl@gmail.com
- CIUDAD REAL**
13600 ALCAZAR DE SAN JUAN
ANTESAT, S.L.
Pso. Cervantes, 2
Tel. 926546234
antesatsl@gmail.com
- CÓRDOBA**
14006 CÓRDOBA
SERVICIO TÉCNICO EL ALEMAN, S.L.
López Amo, 11, local
Tel. 957276637
sttecacordoba@elaleman.e.telefonica.net
- 14014 CÓRDOBA**
REPARACIONES ELECTRO-HOGAR SAN COR, S.L.L
Avda. Virgen de Fatima, 15 local
Tel. 957430756
sancor_15@hotmail.com
- A CORUÑA**
15006 A CORUÑA
SERVIDUSO, S.L.
Avda. de Oza, 82
Tel. 981139461
servidusosl@hotmail.com
- 15011 A CORUÑA**
FEMABLAN, S.L.
República Dominicana, 7, bajos
Tel. 981070084
sat@femablan.es
almacen@femablan.es
- 15402 EL FERROL**
GREMAR, S.L.
Españoleto, 21, bajos
Tel. 981323256
gremarferrol@hotmail.com
- 15818 BOIMORTO**
SERVICIO TECNICO CANCELA, S.L.
Rúa Gándara, 42
Tel. 981564016
satcancela@gmail.com
- CUENCA**
16002 CUENCA
TECNICOA
Avda. República Argentina, 5 b
Tel. 969212020
bruno@tecnicoa.com
- GIRONA**
17004 GIRONA
REPARACIONES PILSA, S.C.
Pascual i Prats, 8, bajos
Tel. 972206696
enric@pilsa.cat
- 17200 PALAFRUGELL**
JOSE MUÑOZ CASTILLO (NEW MERESA)
De la Surera Bertrán, 23
Tel. 972304454
newmeresa@gmail.com
- 17500 RIPOLL**
RICAM INSTAL·LACIONS ELÈCTRIQUES, S.L.
Joan Llimona, 2
Tel. 972715738
02ricam@gmail.com
- 17530 CAMPDEVÀNOL**
SOLDATAL, S.L.
Pza. Molinou, 3
Tel. 972730663
soldatal@soldatal.com

17600 FIGUERES

RIERA DAVIU, S.C.P.
Torras i Bages, 19
Tel. 972503264
rieradaviu@gmail.com

GRANADA**18001 GRANADA**

FRANCISCO HERNANDEZ AGUILERA
San Juan de Dios, 50, bajos
Tel. 958203133
electricahernandez51@gmail.com

GUIPÚZCOA**20001 SAN SEBASTIÁN**

S.A.T. TEJEDOR
Gloria, 4
Tel. 943287193
j.ramontejedor@gmail.com

20014 SAN SEBASTIÁN

ZAPIRAIN-LAGO, S.L.
Loyolatarra, 1, bajos
Tel. 943454757
zapilagosl@gmail.com

HUELVA**21007 HUELVA**

ELECTROMECHANICA JUMAN
Pol. Ind. Pavipresa, 14
Tel. 959230541
electrojuman@gmail.com

21001 HUELVA

EL ZOCO
Béjar, 27
Tel. 959258000
motorocio@motorocio.com
elzoco@elzocohuelva.com

HUESCA**22006 HUESCA**

GRASAN S.C.
Ramón y Cajal, 59, bajos
Tel. 974229093
grasanhuesca@gmail.com

22006 HUESCA

CLIMAGASBY, S.L.
Pol. Ind. Sepes, parc. 32, nave 1
Tel. 974239239
manuelheredia@climagasby.es

JAÉN**23002 JAÉN**

JUAN MARTINEZ Y
DOS MAS, C.B. (TEC-XA)
Ctra. de Otiñar, 25, bajo izq.
Tel. 953887498
tecxajaen@yahoo.es

23400 ÚBEDA

MAGOCA REPARACIONES, S.L.
Pza. de Palma Burgos, s/n, bajos
Tel. 953751838
ubedatmagoca@gmail.com

LEÓN**24006 LEÓN**

ELECTRICIDAD RUEDA, S.L.
Pza. Puerta Obispo, 14, bajos
Tel. 987258070
mjrueda@electricidadrueda.es

24400 PONFERRADA

QUINSAT ENRIQUE RAMOS, C.B.
Avda. Portugal, 44
Tel. 987414123
quinsat_cb@yahoo.com

LLEIDA**25191 LLEIDA**

AIRFRIO LLEIDA, S.L.
Cim Lleida Vial A, Parcela 9, Nave L
Tel. 973221921
airfrio@airfriolleida.es
susana@airfriolleida.es

LA RIOJA**26006 LOGROÑO**

MONTAJES ELÉCTRICOS TERBEL, S.L.
Planillo, 16
Tel. 941232306
terbel@terbel.es

LUGO**27297 LUGO**

FERNÁNDEZ Y LÓPEZ REBOBINADOS
Y AUTOMATISMOS, S.L.
Polígono Empresarial As Gándaras
Rúa María Barbeito, 16 (Rúa B,
Parcela P2.3)
Tel. 982245418
sat@fernandezylopez.com

MADRID**28031 MADRID**

ARPRO INSTALACIONES, S.L.
Camino de Hormigueras, 122 Bis,
Planta 2, Nave P1
Tel. 910172491 - 634400536
satsp@arpro.es

28053 MADRID

JULIAN SÁNCHEZ DURÁN
Arroyo del Olivar, 30
Tels. 914773975 - 646073301
satjdsd@gmail.com

28220 MAJADAHONDA

ELECTRÓNICA TELIAR, S.L.
Real Alta, 7
Tel. 916388702
teliar@teliar.es

28400 COLLADO VILLALBA

J. COGORRO, S.L.
Nicolasa Fernández, 5
Tel. 918504972
jcogorro@jcogorro.com

28921 ALCORCÓN

CLEOFE CASAMAYOR MARTÍNEZ
Vizcaya, 3 bis
Tel. 916435019
satccasamayor@gmail.com

MÁLAGA**29010 MÁLAGA**

JOSÉ GARCÍA CAMPANO (CAMBEL ELEC.)
Morales Villarrubia, 17
Tel. 952277247
cambel.electronica@gmail.com

29200 ANTEQUERA

ELECTRICIDAD HIJANO, S.L.
Pol. Ind. La Azucarera
Calera, 9
Tel. 952739531
elechijano@hotmail.es

MURCIA**30008 MURCIA**

PEDRO ANTONIO FRANCO, S.L.
Enrique Villar Bas, 1, bajos
Tel. 968230664
pedrofrancosl@hotmail.com

30009 MURCIA

JUAN JOSÉ M. BARBA FRANCO
Isaac Albéniz, 4, bajos
Tel. 968298593
electroservicioseba@gmail.com

30300 BARRIO PERAL

FASEPA, S.L.
Prolongación Ángel Bruna, 6, bajos
Tel. 968095680
luserrano@fasepa.com
fasepa@fasepa.com

30509 TORREALTA DE MOLINA

VAPORGAS DE MOLINA, S.L.
Cano Fortes, 2
Tel. 968616913
egomariz@vaporgas.com

NAVARRA**31004 PAMPLONA**

LARVIT, S.L.
Amaya, 26, bajos
Tel. 948230313
larvit@gmail.com

31006 PAMPLONA

CALEFACCIONES ALUFAR, S.L.
Mutilva, 13, bajos
Tel. 948240391
calefaccion@alufar.com

OURENSE**32001 OURENSE**

TALLERES CAMILO TATO, S.L.
Avda. Marín, 15, bajos
Tel. 988218020
camilotato@telefonica.net

32005 OURENSE

RADIO DE LA TORRE, S.L.
Sierra de Queixa, 24
Tel. 988391411
oscar@radiodelatorre.es

ASTURIAS**33003 OVIEDO**

CASILDA ÁLVAREZ OLIVAR
San José, 12, bajos
Tel. 985223739
satamable@telecable.es

33012 OVIEDO

COMERCIAL Y TALLERES FERPRA, S.L.
Gregorio Marañón, 19, bajos
Tel. 985234696
info@talleresferpra.com

33209 GIJÓN

GARPE 49, S.L.
Río de Oro, 22
Tel. 985142400
juancarlos@garpe49.com

33400 AVILÉS

LUYCA, C.B.
Avda. Los Telares, 6, bajos
Tel. 985560438
sat@luyca.es

LAS PALMAS DE GRAN CANARIA**35008 EL SEBADAL**

SANCHEZ ARENCIBIA
Sucre, 10-12
Tel. 928471333
laspalmas@sanchezarencibia.com

PONTEVEDRA**36004 PONTEVEDRA**

RECATPON, SL.
Doctor Loureiro Crespo, 78
Tel. 986847635
recatpon@mundo-r.com

36203 VIGO

FRIO Y CLIMATIZACION, S.L.
Via Hispanidad, 19, bajos
Tel. 986425600
comercial@friclima.org

36205 VIGO

AJEPA&LUAS, S.L. - S.A.T. CERVANTES
Ruiseñor, 10, bajos
Tel. 986280230
pairis2006@yahoo.es

SALAMANCA**37900 SANTA MARTA DE TORMES**

TAIFE, S.L.U.
Ctra. de Madrid, KM.0
Tel. 923210956
taife@taife.es

CANTABRIA**39608 CACICEDO**

ELECTRICIDAD ORIA GÓMEZ, S.L.
Polígono Elegarcu, 21 - Nave 3
Tel. 942224828
eog@electricidadoriagomez.com

SEVILLA**41005 SEVILLA**

DIESUR - 2
Mariano Benlliure, 88
Tel. 954579182
diesur1@gmail.com

41008 SEVILLA

INTERSAT REPARACIONES, S.L.
Beethoven, 5, bajos
Tel. 954430226
intersatrepuestos@hotmail.com
intersat-reparaciones@hotmail.com

41400 ECIJA

EVA MARIA AGUILAR GONZÁLEZ
(SYMATEC)
Pol. Ind. El Limerio, Nave 30
Tel. 955903697
administracion@symatec.es

41560 ESTEPA

HIJOS DE GARCÍA PINEDA, S.L.
Ajonjolí, 19
Tel. 955913584
santigarcia44@gmail.com

41110 BOLLULLOS DE LA MITACION

GREENSAT MECHANICS, S.L.
Pol. Ind. Pibo, Avda. Umbrete, 32
Tel. 955776778
greensat@greensatm.com

SORIA**42005 SORIA**

HERNAR, S.A.
Calle I, Parcela 238
Tel. 975221316
hernar@hernar.es

TARRAGONA**43001 TARRAGONA**

SANCHEZ RODRIGUEZ, JUAN JAVIER
Capuchinos, 22, bajos
Tel. 977221851
sertecs22@gmail.com

43204 REUS

JOSÉ M. PEREZ SOLDADO (E. JOMI)
Avda. President Macià, 29, bajos
Tel. 902090204
electrojomi@electrojomi.com

43205 REUS

LOZANO RAMIREZ, JOSÉ CAYO (R. REUS)
Avda. Països Catalans, 232
Tel. 977319476
correo@reparacionesreus.com

43500 TORTOSA

ARRUFAT SANCHEZ, S.L.
Passeig Moreira, 23-25
Tel. 977510442
arrufatsanchez@arrufatsanchez.com

TERUEL**44195 TERUEL**

TALLERES ELÉCTRICOS ELEBOME
Atenas, 11, Parcela 5
Tel. 978602413
tallereselebome@gmail.com

44600 ALCANIZ

MARIO CASES SANTAFÉ
Miguel Fleta, 27
Tel. 978871016
electronicalarueda@gmail.com

TOLEDO**45004 TOLEDO**

ELECTROTODD REPARACIÓN, S.L.
Avda. de América, 10 local
Tel. 925216969
toledo@electrotodo.es

45223 SESEÑA

BERNARDINO PEREZ ALONSO
Doménico Beneciano, 5, Local II
Tel. 918926184
comercialsesena@telefonica.net

45600 TALAVERA DE LA REINA

ELECTROTODD REPARACIÓN, S.L.
Santa Teresa de Jesús, 4
Tel. 925824834
talavera@electrotodo.es

45600 TALAVERA DE LA REINA

CEASTEC, S.L.
Alferez Provisional, 7
Tel. 925830046
ceastec@ceastec.es

VALENCIA**46005 VALENCIA**

ÁNGEL AMOROS MEDIAVILLA
Salamanca, 37, bajos izqd.
Tel. 963740209
info@satamoros.es

46006 VALENCIA

ANTONIO GRIMALDOS, S.L.
Montichelvo, 13, bajos
Tel. 963950794
administracion@grimaldosclimatizacion.com

VALLADOLID**47009 VALLADOLID**

INSEYBOM, S.L.
Villanubla, 18, bajos
Tel. 983332623
eduardo@inseybom.es

VIZCAYA**48001 BILBAO**

QUINTELA TECNISERVICIOS, S.L.
Ledesma, 2, Lonja
Tel. 944246309
qttecniservicios@gmail.com

48191 GALDAMES

TÉCNICAS DE VENTILACIÓN CALGE, S.L.
Polígono La Aceña Valleja, 3, Pab. 5
Tel. 946100005
calge.sl@hotmail.com

48920 PORTUGALETE

ONOFRE COLLANTES MARTIN
Ortuño de Alango, 7, bajos
Tel. 944834726
collantes@collantesreparaciones.com

ZAMORA**49006 ZAMORA**

ELECTRO SILVA
Palomar, 2
Tel. 980514082
diegoservtec@hotmail.com

ZARAGOZA**50012 ZARAGOZA**

ELECTRÓNICA VENECIA, S.L.
Joaquín Rodrigo, 8, Local 5
Tel. 976389138
info@electronicavenecia.es



S&P SISTEMAS DE VENTILACIÓN, S.L.U.

Oficinas Centrales
c/ Llevant, 4 - Polígono Industrial Llevant
08150 Parets del Vallès
Barcelona - España

www.solerpalau.es
consultas@solerpalau.com

Servicio de Asesoría Técnica:
Tel.: 93 571 94 83

Red Comercial

En estrecha colaboración con la Red de Distribuidores, en las Delegaciones de S&P le ofrecemos asesoramiento acerca de nuestros productos, su instalación y aplicaciones.

Barcelona

Tel. 93 571 93 00

Sevilla

Tel. 95 425 82 96

Murcia

Tel. 616 64 31 20

Gijón

Tel. 609 10 04 14

Zaragoza

Tel. 976 37 45 95

Granada

Tel. 958 41 14 10

Vigo

Tel. 986 20 89 12

Valladolid

Tel. 679 40 87 09

Madrid

Tel. 91 692 85 30

Valencia

Tel. 96 340 73 52

Bilbao

Tel. 94 441 68 50

Palma de Mallorca

Tel. 971 61 94 57

Las Palmas de Gran Canaria

Tel. 928 50 75 19

S&P se reserva el derecho de modificar los productos sin previo aviso.